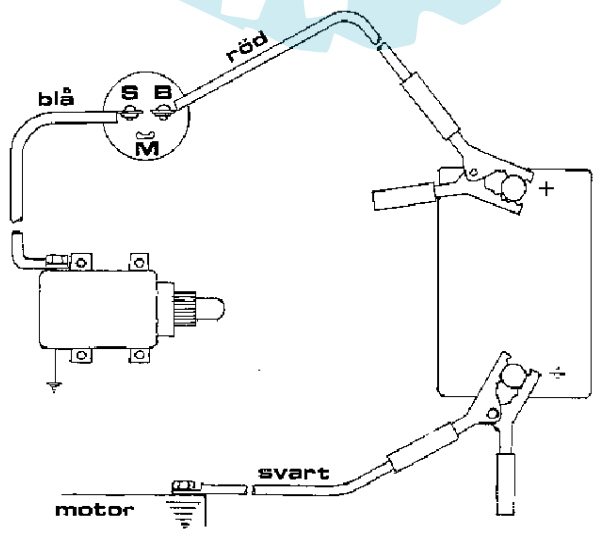


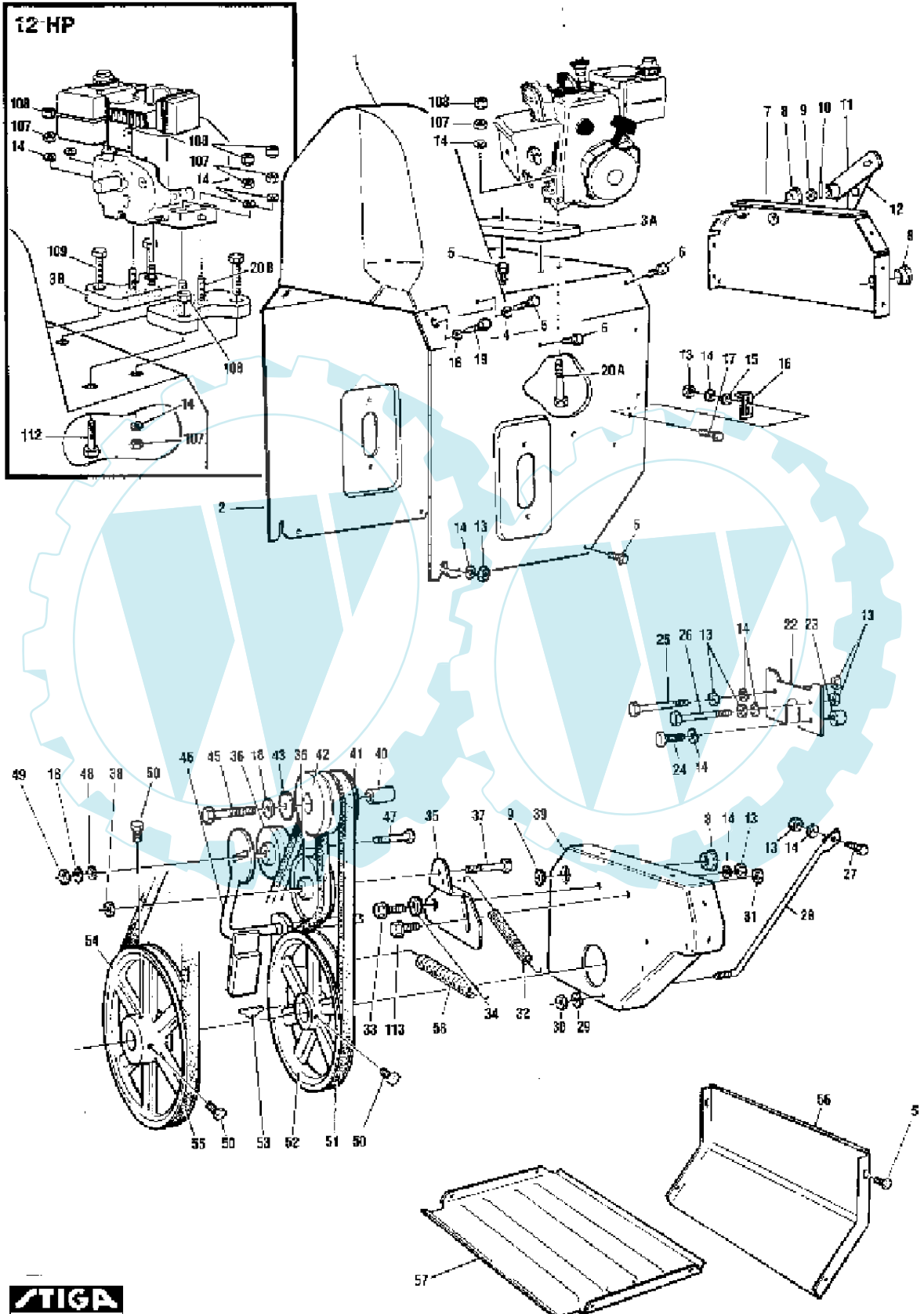
KOPPLINGSSCHEMA



Pos.	Quantity	Spare part No	Description	Kit	Notes	New
------	----------	---------------	-------------	-----	-------	-----

1815 1817 1822

1	1	1	1812-0577-01	Chute deflector		
2	1	1	1812-0574-01	Spring		
3	3	3	9988-3619-16	Screw		
4	3	3	9743-3621-32	Nut		
5	1	1	1812-0667-01	Plastic washer		
6	1	1	1812-0576-01	Chute		
6	1	1	1812-0829-01	Chute extension		
7	1	1	1812-0581-01	Bracket		
8	1	1	9988-3613-16	Screw		
9	1	1	9743-3621-32	Nut		
10	1	1	1812-0629-01	Screw		
11	1	1	1811-0421-01	Nut		
12	1	1	9988-3525-16	Screw		
13	2	2	9743-3521-32	Nut		
14	1	1	1812-0580-01	Cable holder		
15		1	9987-5157-12	Screw		
15	1		9987-5189-12	Screw		
16	1	1	1812-0578-01	Cable		
17	1	1	1812-0508-01	Gummi gasket		
18	3	3	1812-0510-01	Rivet		
19	3	3	1812-0729-01	Flat washer		
20	1	1	9699-0028-02	Flat washer		
A01	1	1	1812-0579-01	Head lamp		
A02	1	1	1812-0653-01	.Light housing		
A03	1	1	1812-0639-01	.Sealed beam		
A04	1	1	1812-0723-01	Bolt w/hole		
A05	1	1	9677-0009-02	Lock washer		
A06	1	1	1812-0659-01	Light bracket		
A07	1	1	9988-3651-12	Screw		
A08	1	1	9683-0030-02	Lock washer		
A09	2	2	9795-3631-02	Nut		
A10	1	1	1812-0721-01	Amp. terminal male		
A11	1	1	1812-0722-01	Insulator		
A12	1	1	1812-0652-01	Amp. terminal femal		
A13	1	1	1812-0621-01	Cable		
B01		1	1134-2848-01	Ignition key		
B02		1	1812-0278-01	Nut		
B03		1	1812-0277-01	Lock washer		
B04		1	1812-0276-01	Ignition switch		
B05		1	1812-0312-01	Cable harness		
B06		1	..18-1923-13	El.starter (12 volt		



ection: 828, 1232 BELT TRANSMISSION

[www.ersatzteil-service.de](http://www.ersatzteil-service.de)

[www.ersatzteilplan.de](http://www.ersatzteilplan.de)

**Pos. Quantity Spare part No Description Kit Notes New**

1817 1822

1	1	1	1812-0207-01	Belt protection		
2	1	1	1812-0554-01	Chassie		
3A	1		1812-0428-01	Spacer		
3B		1	1812-0905-01	Engine riser		
4	3	3	9699-0026-02	Flat washer		
5	11	11	1812-0384-01	Screw		
6	11	11	1812-0385-01	Screw		
7	1	1	1812-0555-01	Plate		
8	3	3	1812-0328-01	Bushing		
9	2	2	9699-0038-02	Flat washer		
10	1	1	1812-0401-01	Pin		
11	1	1	1812-0446-01	Lever		
12	1	1	1812-0447-01	Lever		
13	9	9	9795-3631-02	Nut		
14	12	16	9683-0030-02	Lock washer		
15	1	1	9699-0028-02	Flat washer		
16	1	1	1812-0331-01	Bracket		
17	1	1	9899-3622-16	Screw		
18	4	4	9683-0035-02	Lock washer		
19	2	2	9988-3725-16	Screw		
20A	4		9987-5170-12	Screw		
20B		4	9987-5157-12	Screw		
22	1	1	1812-0427-01	Plate		
23	2	2	1812-0317-01	Spacer		
24	2	2	9987-5125-16	Screw		
25	1	1	1812-0628-01	Bolt		
26	1	1	1812-1124-01	Belt guide		
27	1	1	9988-3619-16	Screw		
28	1	1	1812-0319-01	Rod		
29	1	1	9683-0025-02	Lock washer		
30	1	1	9795-3531-02	Nut		
31	1	1	9743-3621-32	Nut		
32	1	1	1812-0321-01	Spring		
33	1	1	1812-0300-01	Bolt		
34	1	1	9699-0069-02	Flat washer		
35	1	1	1812-0421-01	Bracket		
36	2	2	1812-0322-01	Tension roller		
37	1	1	9988-3732-12	Screw		
38	1	1	9743-3721-32	Nut		
39	1	1	1812-0727-01	Spindle plate		
40	1	1	1812-0720-01	Engine pulley space		
41	1	1	1812-0333-01	Pulley		
42	1	1	1812-0334-01	Pulley		
43	1	1	1812-0283-01	Washer		
45	1	1	9987-5232-16	Bolt		
46	1	1	1812-0208-01	Tensioning arm		
47	1	1	9988-3738-12	Screw		
48	1	1	9699-0029-02	Flat washer		
49	1	1	9743-3721-32	Nut		
50	3	3	1812-1119-01	Bolt		
51	1	1	1812-9015-01	V-belt		Hjuldrivnin
52	1	1	1812-0306-01	Pulley		7"
53	1	1	1812-0307-01	Key		
54	1	1	1812-0308-01	Pulley		8.4"
55	1	1	1812-9014-01	V-belt		Snöskruv
56	1	1	1812-0424-01	Plate		
57	1	1	1812-0422-01	Bottom panel		
58	1	1	1812-0661-01	Spring		
107	4	7	9794-5131-02	Nut		

ection: 828, 1232 BELT TRANSMISSION

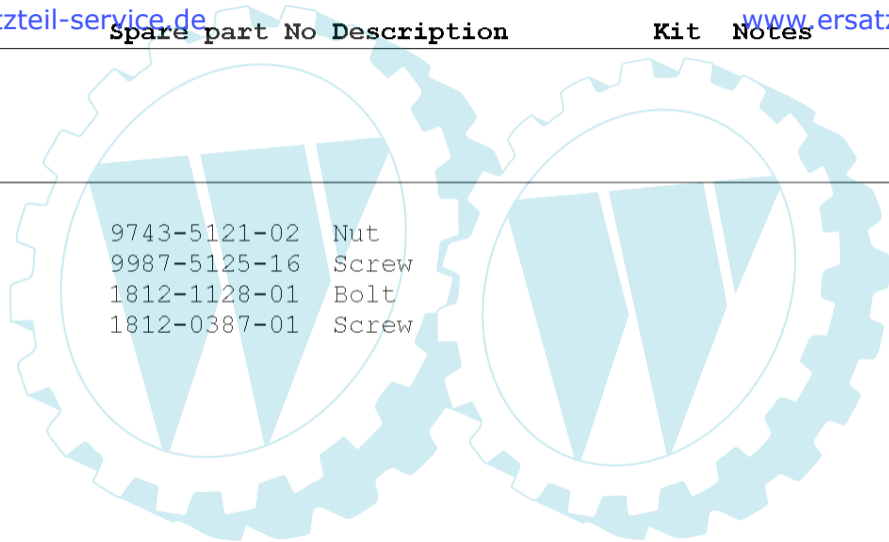
[www.ersatzteil-service.de](http://www.ersatzteil-service.de)

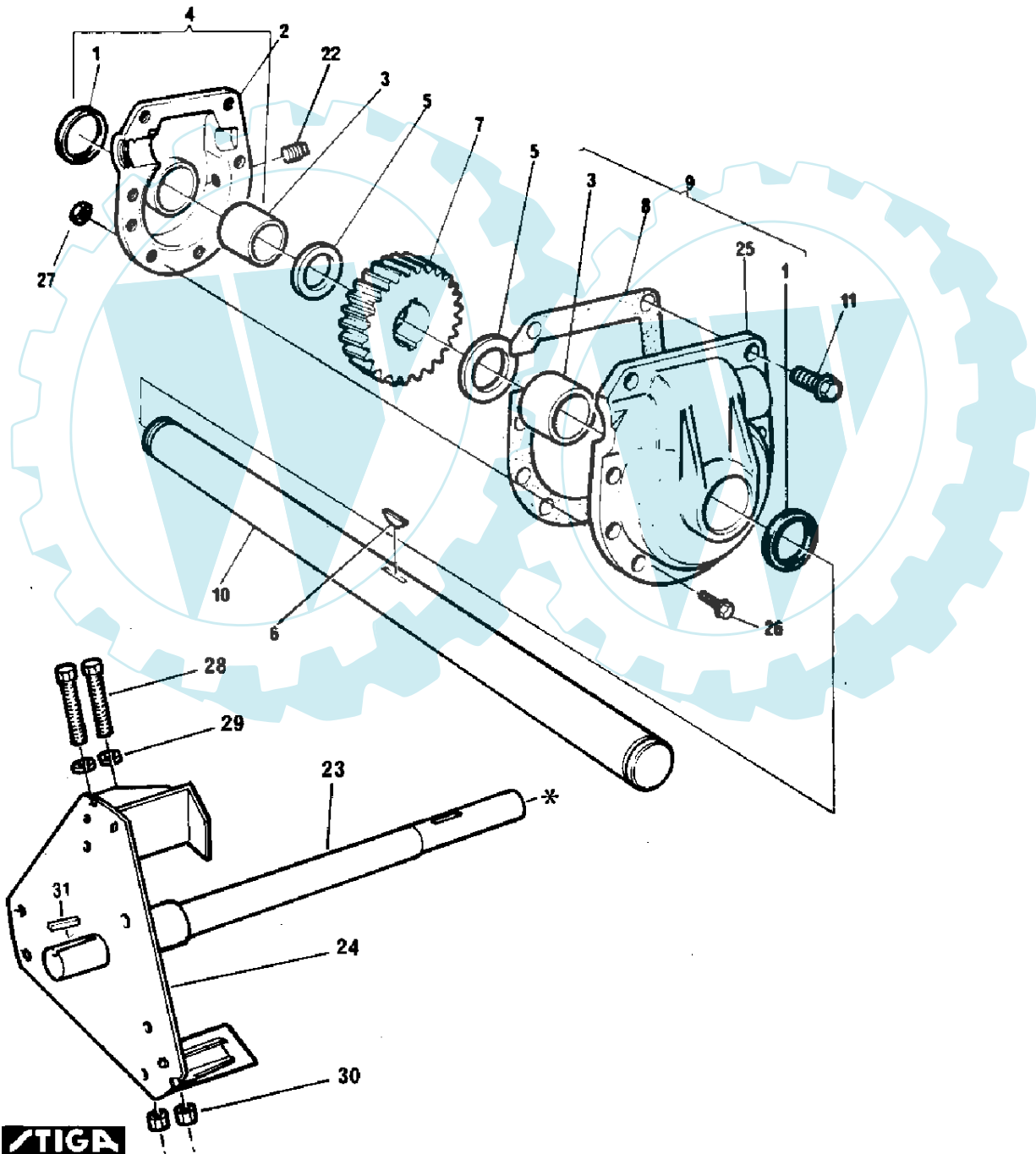
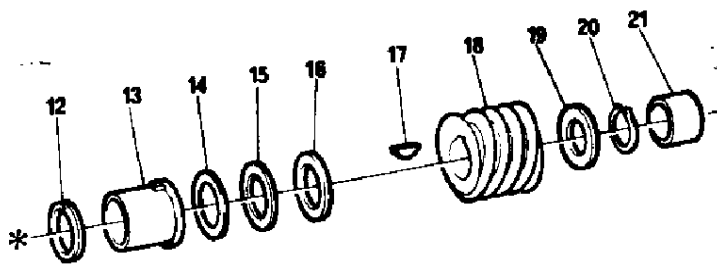
[www.ersatzteilplan.de](http://www.ersatzteilplan.de)

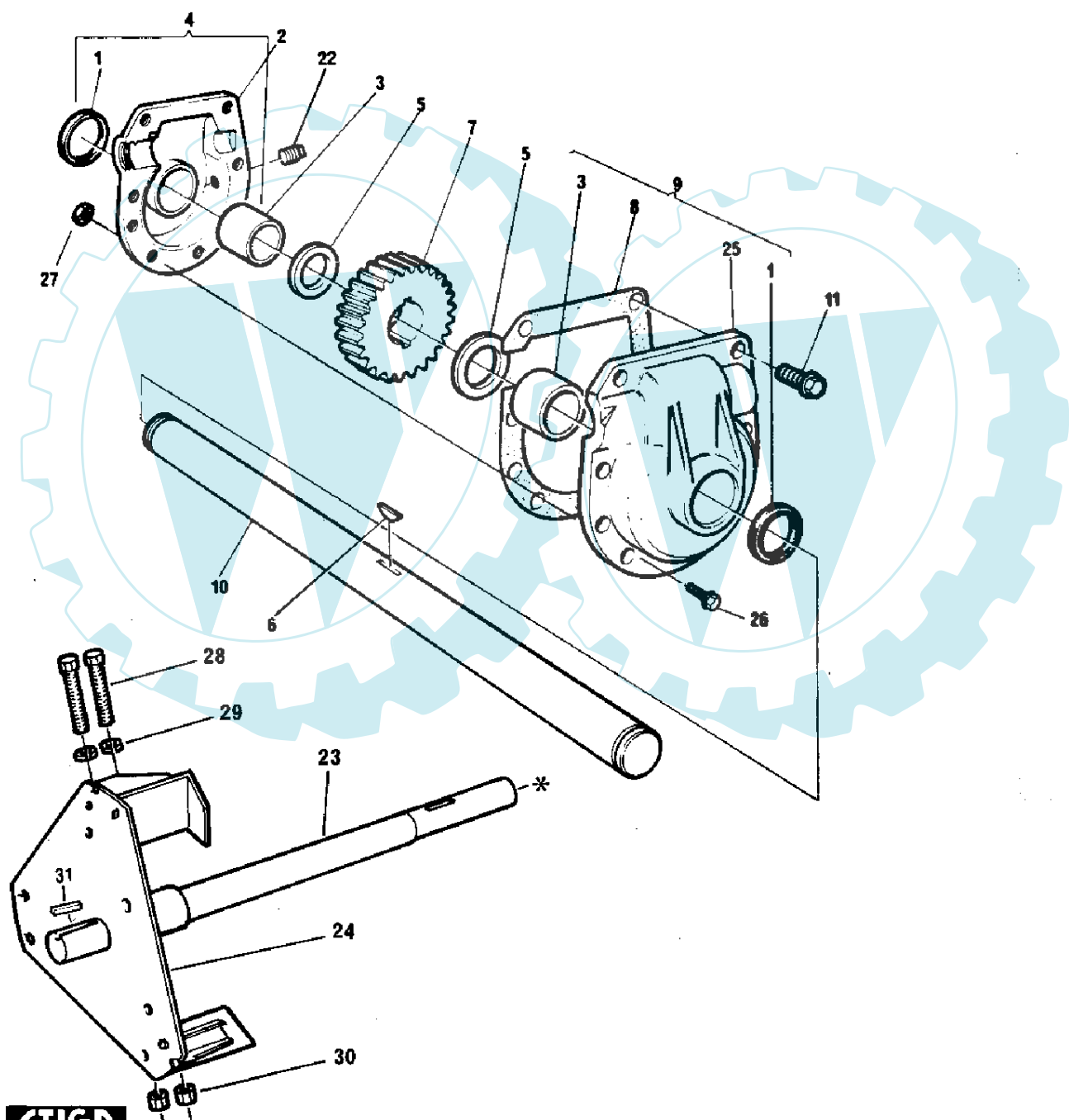
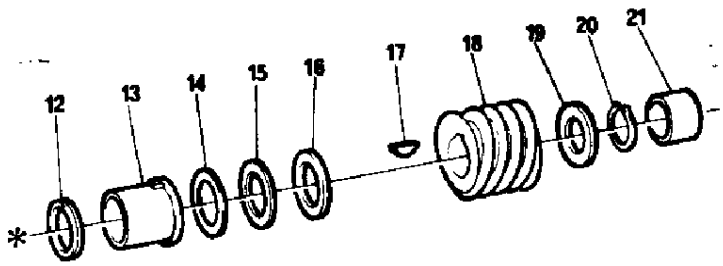
Pos.	Quantity	Spare part No	Description	Kit	Notes	New
------	----------	---------------	-------------	-----	-------	-----

1817 1822

108	4	5	9743-5121-02	Nut		
109		3	9987-5125-16	Screw		
112		1	1812-1128-01	Bolt		
113	1	1	1812-0387-01	Screw		





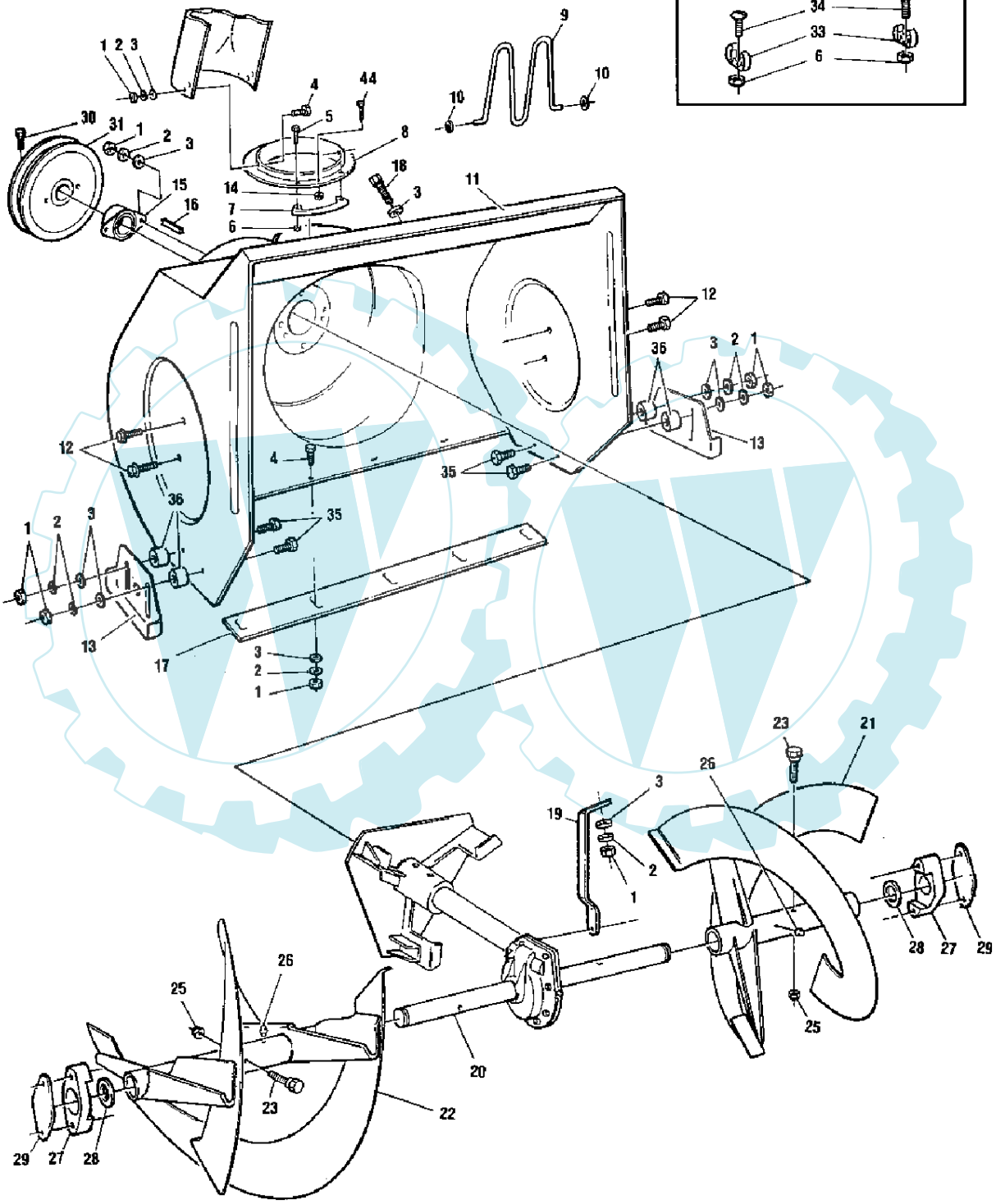
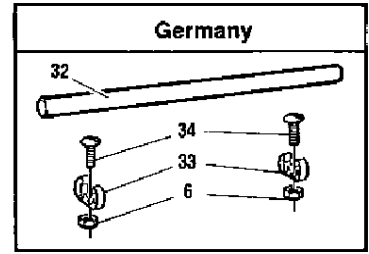


Pos.	Quantity	Spare part No	Description	Kit	Notes	New
------	----------	---------------	-------------	-----	-------	-----

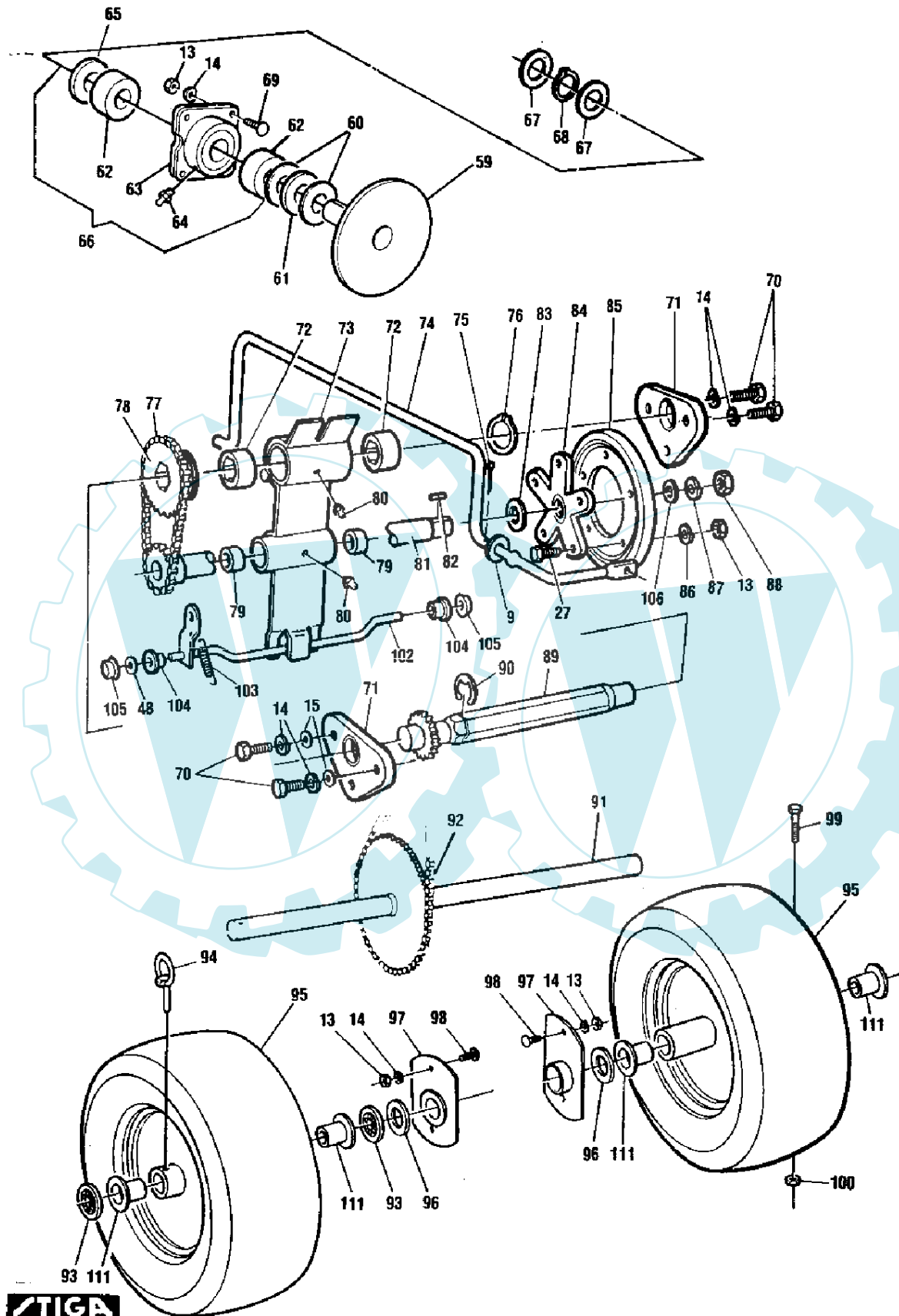
1817 1822

0	1	1812-0243-01	Gear box assy			
0	1	1812-0239-01	Gear box assy			
1	2	1812-0344-01	..Ring			
2	1	1812-0227-01	..Gear case-LH			
3	2	1812-0343-01	..Bearing			
4	1	1812-0227-01	..Gear case-LH		Inkl.pos 1,2,3	
5	2	1812-0345-01	..Washer			
6	1	1812-0409-01	..Woodruffkey			
7	1	1812-0335-01	..Worm gear			
8	1	1812-0226-01	..Gasket			
9	1	1812-0228-01	..Gear case-RH		Inkl.pos 1,3,25	
10	1	1812-0238-01	..Shaft			
10	1	1812-0242-01	..Shaft			
11	1	9987-5145-12	..Screw			
12	1	1812-0341-01	..Ring			
13	1	1812-0340-01	..Bearing			
14	1	1812-0339-01	..Washer			
15	1	1812-0338-01	..Needle bearing			
16	1	1812-0337-01	..Washer			
17	1	1812-0307-01	..Key			
18	1	1812-0336-01	..Gear			
19	1	1812-0284-01	..Washer			
20	1	1812-0286-01	..Retainer ring			
21	1	1812-0297-01	..Bearing			
22	1	1812-0346-01	..Oil plug			
23	1	1812-0237-01	..Impeller shaft			
24	1	1812-0426-01	..Fan			
25	1	1812-0228-01	..Gear case-RH			
26	7	9987-5125-16	..Screw			
27	8	9743-5121-02	..Nut			
28	2	9988-3557-12	..Screw			
29	2	9699-0026-02	..Flat washer			
30	2	9743-3521-32	..Nut			





Pos.	Quantity	Spare part No	Description	Kit	Notes	New
	1817	1822				
1	14	14	9795-3631-02	Nut		
2	14	14	9683-0030-02	Lock washer		
3	14	14	9699-0028-02	Flat washer		
4	7	7	9899-3622-16	Screw		
5	6	6	1812-0388-01	Screw		
6	6	6	1812-0389-01	Locking nut		
7	3	3	1812-0423-01	Holder		
8	1	1	1812-0255-01	Flange		
9	1	1	1812-0231-01	Chute protection		
10	2	2	1812-1143-01	Push nut		
11	1	1	1812-0551-01	Auger housing		
11	1	1	1812-0552-01	Augerhousing		
12	4	4	1812-0387-01	Screw		
13	2	2	1812-0831-01	Height adjustor		
14	1	1	9743-3521-32	Nut		
15	1	1	1812-0883-01	Bearing		
16	1	1	1812-0626-01	Key		
17	1	1	1812-0419-01	Scraper bar		
17	1	1	1812-0206-01	Scraper bar		
18	1	1	9988-3625-16	Screw		
19	1	1	1812-0663-01	Gear box brace		
20	1	1	1812-0239-01	Gear box assy		
20	1	1	1812-0243-01	Gear box assy		
21	1	1	1812-0650-01	Auger-L.H.		
21	1	1	1812-0654-01	Auger-L.H.		
22	1	1	1812-0651-01	Auger-R.H.		
22	1	1	1812-0655-01	Auger-R.H.		
23	1	1	1812-9006-01	Shear bolt kit		
26	2	2	1812-0274-01	Grease fitting		
27	2	2	1812-0347-01	Bearing		
28	2	2	1812-0301-01	Spacer		
29	2	2	1812-0640-01	Spacer		
30	2	2	9988-3619-16	Screw		
31	1	1	1812-0308-01	Pulley	8.4"	
32	1	1	1812-0315-01	Clean out stick	Tyskland	
33	2	2	1812-0316-01	Clamp		
34	2	2	1812-0728-01	Bolt		
35	4	4	9899-3632-12	Screw		
36	4	4	1812-0730-01	Spacer		
44	1	1	9988-3525-16	Screw		



1817 1822

9	1	1	9699-0038-02	Flat washer		
13	13	13	9795-3631-02	Nut		
14	14	14	9683-0030-02	Lock washer		
15	3	3	9699-0028-02	Flat washer		
27	5	5	9988-3619-16	Screw		
48	1	1	9699-0029-02	Flat washer		
59	1	1	1812-0430-01	Drive disc		
60	2	2	1812-0284-01	Washer		
61	1	1	1812-0285-01	Needle bearing		
62	2	2	1812-0287-01	Bearing		
63	1	1	1812-0288-01	Spindle housing		
64	1	1	1812-0324-01	Grease fitting		
65	1	1	1812-0281-01	Gasket		
66	1	1	1812-0418-01	Spindle assy		
67	2	2	1812-0282-01	Washer		
68	1	1	1812-0286-01	Retainer ring		
69	4	4	9899-3622-16	Screw		
70	6	6	9988-3613-16	Screw		
71	2	2	1812-0241-01	Bearing		
72	2	2	1812-0291-01	Bearing		
73	1	1	1812-0429-01	Plate		
74	1	1	1812-0320-01	Rod		
75	1	1	9599-0054-02	Cotter pin		
76	1	1	1812-0293-01	Retaining ring		
77	1	1	1812-0583-01	Chain		
78	1	1	1812-0586-01	Worm gear		
79	2	2	1812-0719-01	Bearing clutch		
80	2	2	1812-0280-01	Grease fitting		
81	1	1	1812-0625-01	Shaft		
82	1	1	1812-0393-01	Key		
83	1	1	1812-0290-01	Washer		
84	1	1	1812-0582-01	Hub		
85	1	1	1812-9003-01	Friction disc		
86	5	5	9677-0009-02	Lock washer		
87	1	1	9683-0035-02	Lock washer		
88	1	1	9794-5231-02	Nut		
89	1	1	1812-0521-01	Shaft		
90	1	1	1812-0525-01	Retaining ring		
91	1	1	1812-0619-01	Shaft		
92	1	1	1812-0571-01	Chain		
93	2	2	1812-0567-01	Retaining ring		
94	1	1	1812-0408-01	Clik pin		
95	2	2	1812-1127-01	Wheel		4.80 x 4.00
95A	1	1	1812-0636-01	Snow chains		
96	2	2	1812-0407-01	Washer		
97	2	2	1812-0601-01	Axle bracket		
98	4	4	9899-3622-16	Screw		
99	1	1	9988-3538-12	Screw		
100	1	1	9743-3521-32	Nut		
102	1	1	1812-0438-01	Shaft		
103	1	1	1812-0330-01	Spring		
104	2	2	1812-0294-01	Bushing		
105	2	2	1812-0649-01	Cap retainer		
106	1	1	1812-0660-01	Spring washer		
111	4	4	1812-1073-01	Bushing		

