

SPARE PARTS LIST
LISTE PIECES DETACHEES
ERSATZTEILLISTE
MANUAL DE REPUESTOS
DISTINTA RICAMBI



MITHO

1301M - 1301T - 1801M
HOT WATER CLEANER
NETTOYEUR EAU CHAUDE
HEISSWASSER-HOCHDRUCKREINIGER
HIDROLIMPIADORA POR AGUA CALIENTE
IDROPULITRICE ACQUA CALDA

50 Hz

CE

 **portotecnica** S.p.A.

TABLE N° :

07 01313 004

DESCRIPTION :

CHASSIS & ACC. PARIS MITHO

EXPLODED VIEW

DATE :

17.03.95

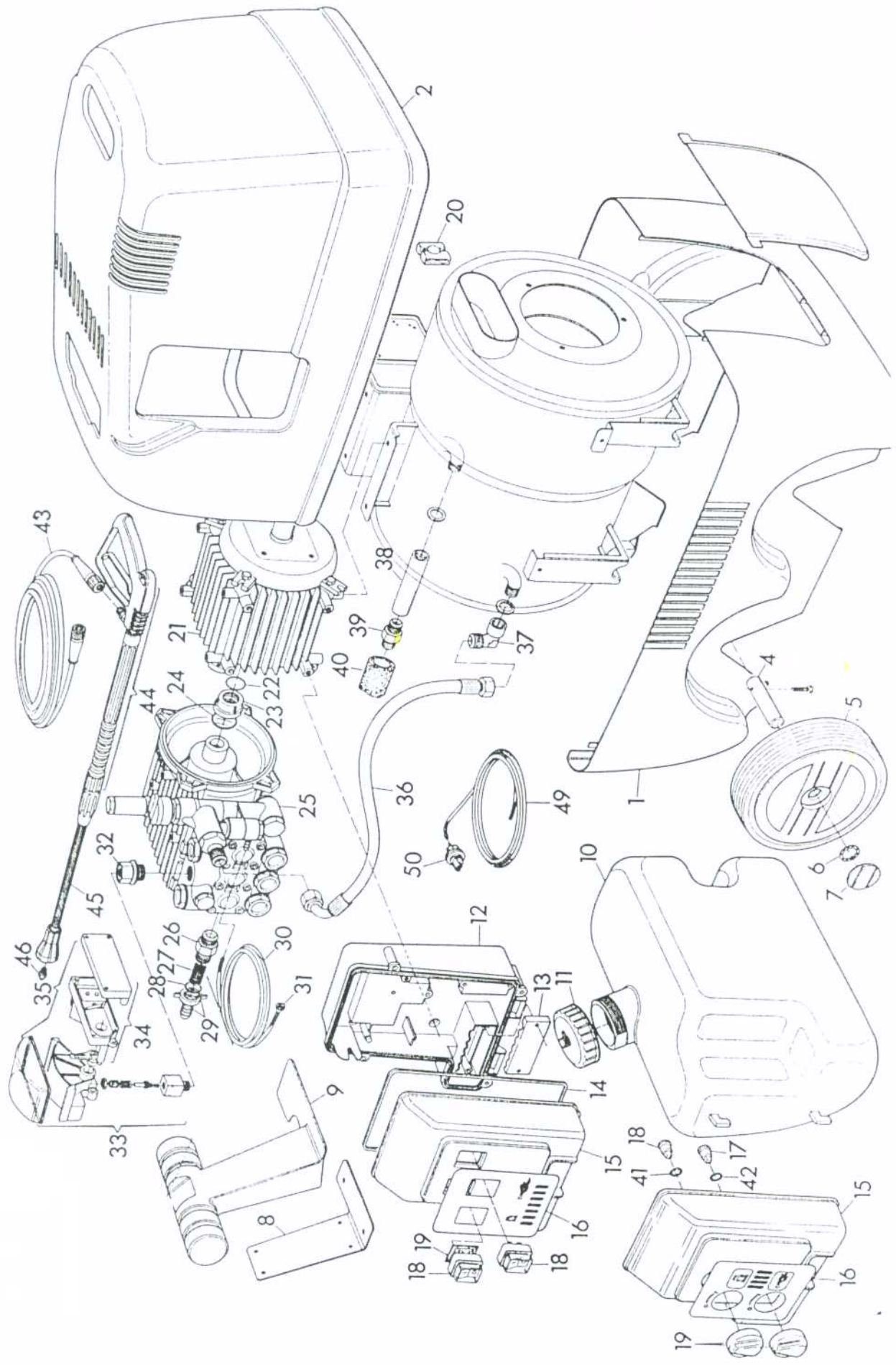


TABLE N°: 07 01313 004		DESCRIPTION: CHASSIS & ACC. PARTS MITHO		SPARE PARTS LIST				DATE: 17.03.95	
REF.	CODE KIT	QTY	DESCRIPTION	DENOMINATION	BESCHREIBUNG	DESCRIPCION	DESCRIZIONE	TECHNICAL FEATURES	NOTES
1	30533	1	BLACK COVER	COUVERTURE NOIR	SCHWARTZABDECK.	CUBIERTA NEGRA	COPERTURA NERA	MITHO INF. TUV	
2	30534	1	RED COVER	COUVERTURE ROUGE	ROTABDECKUNG	CUBIERTA ROJO	COPERTURA ROSSA	MITHO SUP. TUV	
4	27217	4	WHEEL PIN	PIVOT ROUE	RADZAPFEN	PERNO RUEDA	PERNO RUOTA	MTH	
5	20103	4	RED WHEEL	ROUE ROUGE	ROT RAD	RUEDA ROJO	RUOTA ROSSA	D.170-D.16 PRT	
6	12320	4	WASHER	RONDELLE	SCHEIBE	ARANDELA	ROSETTA	D.16	
7	11761	4	RED CAP	BOUCHON ROUGE	ROTVERSCHLUSS	TAPON ROJO	TAPPO ROSSO	D.32	
8	27119	1	HANDLE SUPPORT	SUPPORT POIGNEE	SCHAKELHALTER	SOPORTE MANILL.	SUPP MANIGLIONE	MTH	
9	26980	1	HANDLE	POIGNEE	SCHAKEL	MANILLAR	MANIGLIONE	MITHO	
10	26981	1	FUEL TANK	RESERVOIR FUEL	KRAFTSTOFF TANK	DEPOSITO GASOIL	SERBATOIO GASO	MTH	
11	28928	1	TANK CAP	BOUCHON RESERV.	TANK VERSCHLUS.	TAPON DEPOSITO	TAPPO SERBATOIO	MTH CPL.	
12	26978	1	CONTROL BOX	BOITE CONTROLE	STEUERUNG KAST.	CAJITA MANDO	CASSETT COMANDI	MITHO	
13	27097	1	CABLE CLAMP COV	COUVERCLE CABLE	KABELBEF DECKEL	TAPA CABLE	COP. FERMACAVI	MTH	
14	11309	1	JOINT	JOINT	GEZOGEN	GUARNICION	TRAFILATO	MOUSSE D. 3	
15	26979	1	BOX COVER	COUVERCLE BOITE	KASTENDECKEL	TAPA CAJITA	COPERCHIO CASS.	MITHO M	1301 M-1801 M
15	27096	1	BOX COVER	COUVERCLE BOITE	KASTENDECKEL	TAPA CAJITA	COPERCHIO CASS.	MITHO T	1301 T
16	27490	1	LABEL	ETICHETTE	ETICHETTE	ETIQUETA	ETICHETTA	MITHO M PVC R	1301 M-1801 M
16	27491	1	LABEL	ETICHETTE	ETICHETTE	ETIQUETA	ETICHETTA	MITHO T PVC R	1301 T
17	23482	1	SWITCH TANG	TALON	ENDSTUCK	CODO	CODOLO	TEC. TUV	1301 T
18	27900	1	SWITCH	INTERRUPTEUR	SCHALTER	INTERRUPTOR	INTERRUTTORE	SLX 16A 250V 0-1 82MR 81	1301 M-1801 M
18	10083	1	SWITCH TANG	TALON	ENDSTUCK	CODO	CODOLO	OKA L=22	1301 T
19	27464	1	GASKET	GARNITURE	DICHTUNG	GUARNICION	GUARNIZIONE	SLX	1301 M-1801 M
19	25533	2	GREY KNOB	POIGNEE GRIS	GRAUVERSTELLGR.	MANOPLA GRIS	MANOPOLA GRIGIA	PRT-AC	1301 T
20	20906	1	CABLE CLAMP	COLLIER DE SER.	KABELBEFESTIGU.	CIERRACABLE	SERRACAVO	KSM	
21	27390	1	1PH MOTOR	MOTEUR 1PH	1PH MOTOR	MOTOR 1PH	MOTORE MO.	MTH HP1.7 230-50 2P H801P	1301 M
21	27396	1	3PH MOTOR	MOTEUR 3PH	3PH MOTOR	MOTOR 3PH	MOTORE TR.	MTH HP3 400-50 2P H801P	1301 T
21	31013	1	1PH MOTOR	MOTEUR 1PH	1PH MOTOR	MOTOR 1PH	MOTORE MO.	MTH HP2 230-50 2P H801P	1801 M
22	21637	1	O-RING	O-RING	O-RING	O-RING	O-RING	D. 23.81 X 2.62 VIT 70SH	
23	21487	1	BUSHING	DOUILLE	BUCHSE	MANGUITO	BOCCOLA	1P WW NYL	
24	21339	1	O-RING	O-RING	O-RING	O-RING	O-RING	D. 29.82 X 2.62 VIT 70SH	
25	21233	1	PUMP	POMPE	PUMPE	BOMBA	POMPA	FORM. C T. INT. ALL. 1.7 INX	1101 M-1301 T
25	30796	1	PUMP	POMPE	PUMPE	BOMBA	POMPA	FORM. C T. INT. OTT. 1.6 CER	1801 M
26	27659	1	NIPPLE	NIPPLE	NIPPEL	NIPLO	NIPPLO	1/2 - 3/8 L=55	

TABLE N°: 07 01313 004		DESCRIPTION: CHASSIS & ACC. PARTS MITHO		SPARE PARTS LIST				DATE: 17.03.95	
REF.	CODE KIT	QTY	DESCRIPTION	DENOMINATION	BESCHREIBUNG	DESCRIPCION	DESCRIZIONE	TECHNICAL FEATURES	NOTES
27	09717	1	FILTER	FILTRE	FILTER	FILTRO	FILTRO	D.15X37	
28	21889	1	GASKET	GARNITURE	DICHTUNG	GUARNICION	GUARNIZIONE	1/2 X D.19	
29	23627	1	HOSE FITTING	RACC. P. TUYAU	SCHLAUCH HALTER	PORTAMANGUERA	PORTAGOMMA	1/2 F 2PZ 0A KSM	
30	04917	1.500	L.P. HOSE	TUYAU B.P.	N. DRUCK ROHR	TUBO B.P.	TUBO B.P.	D. 6 - 9	
31	04648	1	FILTER	FILTRE	FILTER	FILTRO	FILTRO	ST 32	
32	12676	1	CAP	BOUCHON	VERSCHLUSS	TAPON	TAPPO	M24X1.5 + 1/4F WW90-93	
33	27461	1	PRESSURE GAUGE	MANOMETRE	DRUCKMESSER	MANOMETRO	MANOMETRO	0-160 PRT	
34	27462	1	PRESSURE SWITCH	PRESSOSTAT	DRUCKWACHTER	PRESOSTATO	PRESSOSTATO	PRT MTH	
35	27432	1	PRESS. GAUGE/SW.	PRESS. /MANOM.	DRUCK WATCH_MSS	PRESOMANOMETRO	PRESSOMANOMETRO	PRT MTH	
36	27463	1	HOSE-FITTING	TUYAU D. JONCT.	ANSCHLUSSTUTZEN	TUBO ENLACE	TUBO RACCORDATO	5/16 R1 3/8F90A-3/8F 0A	
37	00574	1	ELBOW	COUDE	WINKELSTUCK	CODO	GOMITO	3/8" M/F A10	
38	27460	1	PIPE	TUYAU	ROHR	TUBO	TUBO	D. 22 X 1.5 L=100	
39	03753	1	MALE COUPLING	RACCORD MALE	MANN. KUPPLUNG	ENCHUFE MACHO	INNESTO MASCHIO	3/8FA	
40	27861	1	PIPE	TUYAU	ROHR	TUBO	TUBO	ISOTHERM D. 22 SP. 6 L=12	
41	23079	1	V-SEAL RING	BAGUE V-SEAL	V-SEAL RING	ANILLO V-SEAL	ANELLO V-SEAL	VA0014 13.5- 15.5	1301 T
42	25527	1	O-RING	O-RING	O-RING	O-RING	O-RING	D. 14 X 3 NBR 70SH	1301 T
43	20264	1	H.P. HOSE	TUYAU H.P.	H. D. ROHR	TUBO A.P.	TUBO A.P.	SAE MT 8 D.6 IRV F - 1/4F	
44	27467	1	GRIP	POIGNEE	HANDGRIF	EMPUNADURA	IMPUGNATURA	RL 15 - P 310 - 1/4M AC	
45	21323	1	EXTENSION	RALLONGE	VERLANGERUNG	PROLONGACION	PROLUNGA	P 220 - UVH D. 1.2	1301 M-1301 T
45	21702	1	EXTENSION	RALLONGE	VERLANGERUNG	PROLONGACION	PROLUNGA	P 220 - UVH D. 1.1	1801 M
49	00058	0,750	L.P. HOSE	TUYAU B.P.	N. DRUCK ROHR	TUBO B.P.	TUBO B.P.	D. 4 - 6	
50	28907	1	PRESSURE SWITCH	PRESSOSTAT	DRUCKWACHTER	PRESOSTATO	PRESSOSTATO	SLX 4.5 M.BAR N.A.	

TABLE N° :

07 01314 004

DESCRIPTION :

BOILER & FAN M1THO-M1THO PLUS

EXPLODED VIEW

DATE :

2.06.94

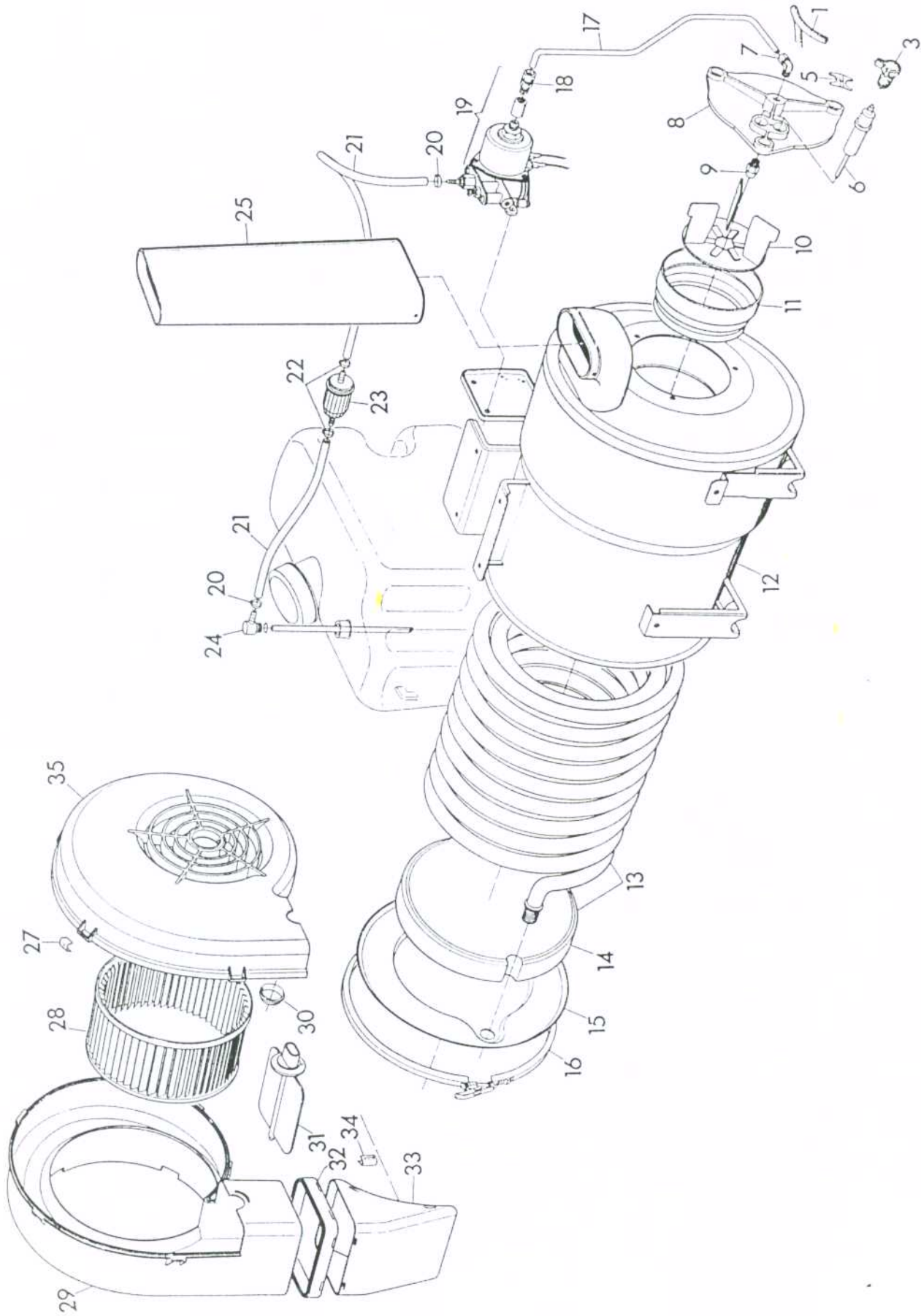


TABLE N° : 07 01314 004		DESCRIPTION : BOILER & FAN MITHO-MITHO PLUS		SPARE PARTS LIST			DATE : 2.06.94		
REF.	CODE KIT	QTY	DESCRIPTION	DENOMINATION	BESCHREIBUNG	DESCRIPCION	DESCRIZIONE	TECHNICAL FEATURES	NOTES
1	01642	0,800	CABLE	CABLE	KABEL	CABLE	CAVO	D. 7 5.1	
3	08511 k	2	PIPETTE	PIPETTE	ZUNDKERZE	PIPETA	PIPETTA	GR 103936	
5	20123 k	1	PLATE	PLAQUETTE	PLATTCHEN	PLAQUITA	PIASTRINA	KSM INX	
6	18232 k	2	ELECTRODE	ELECTRODE	ELEKTRODE	ELECTRODO	ELETTRODO	L=102	
7	08954 k	1	ELBOW	COUDE	WINKELSTUCK	CODO	GOMITO	1/8"-4 B5	
8	19964 k	1	ELECTR. HOLDER	PORTE-ELECTRODE	ELEKTR. HALTER	PORTAELECTRODOS	PORTAELETTRODI	KSM	
9	28863	1	BURNER NOZZLE	GIGLEUR BRULEUR	BRENNER DUSE	BOQUILLA QUEMA.	UGELLO BRUC.	0.50 60 S	
10	20120	1	BAFFLE	DEFLECTEUR	ABLENKER	DEFLECTOR	DEFLETTORE	MTH	
11	20055	1	NOSEPIECE	PORTE D. NETT.	STRAHLROHR	ROCAL	BOCCAGLIO	KSM	
12	27206	1	BOILER BODY	CORPS CHAUDIERE	KESSELKORPER	CUERPO CALDERA	CORPO CALDAIA	MTH	
13	27794	1	DOUBLE COIL	SERPENTIN DOUB.	DOP. ROHRSCHLAN.	SERPENTIN DOBLE	SERPENTINA DOP.	3/8 MTH 18 5MT C/RF	
14	26524	1	BOTTOM	FOND	BODEN	FONDO	FONDELLO	F. CER. MTH	
15	27359	1	BOILER BOTTOM	FOND CHAUDIERE	UNTERDECKEL	FONDO CALDERA	FONDO CALDAIA	MTH	
16	27418	1	RING	BAGUE	RING	ANILLO	ANELLO	D. 278 MTH	
17	27431	1	DIESEL HOSE	TUYAU GASOIL	DIESELROHR	TUBO GASOIL	TUBO GASOLIO	D. 4 MTH	
18	14014	1	CONNECTOR	RACCORD	VERBIND. STUCK	RACOR	RACCORDO	DTT 1/8" M BI D. 4 NIK	
19	27731	1	FUEL PUMP	POMPE FUEL	BRENNSTOFFPUMPE	BOMBA GASOIL	POMPA GASOLIO	MP45 SLRS 220V/0.75 10 RC	1301/1302-M/T
19	29168	1	FUEL PUMP	POMPE FUEL	BRENNSTOFFPUMPE	BOMBA GASOIL	POMPA GASOLIO	MP45 SLRS 220V/0.50 15 RC	1801 M-1802 M
20	15255	2	CLAMP	COLLIER	SHELLE	ABRAZADERA	FASCETTA	D. 8-12	
21	06945	0,900	L.P. HOSE	TUYAU B.P.	N. DRUCK ROHR	TUBO B.P.	TUBO B.P.	D. 6-12 10BAR	
22	11197	2	CLAMP	COLLIER	SHELLE	ABRAZADERA	FASCETTA	D. I. 11 13315	
23	10912	1	FILTER	FILTRE	FILTER	FILTRO	FILTRO	D. 7	
24	22615	1	SUCTION	TIRANT	SCHWIMMER	PESCANTE	PESCANTE	L= 220	
25	28047	1	CHIMNEY EXTENS.	RALLONGE CHEM.	KAMINVERLANGER.	PROLONG. CHIMIN.	PROLUNGA CAMINO	MTH SUP.	
27	20127	5	CLIP	AGRAFE	KRAMPE	GRAPA	CLIP		
28	20128 k	1	IMPELLER	HELICE	LUFTERRAD	TURBINA	VENTOLA	KSM D.140-29P. PA66	
29	20125	1	SCROLL BODY	CORPS COQUILLE	FORDERSCH. KORP.	CUERPO CARCASA	CORPO COCLEA	KSM PP	
30	21890 k	1	BUSHING	DOUILLE	BUCHSE	MANGUITO	BOCCOLA	D. 25	
31	20129	1	THROTTLE	CONVOYEUR	KLAPPE	MARIPOSA	FARFALLA	KSM PP	
32	20124	1	GASKET	GARNITURE	DICHTUNG	GUARNICION	GUARNIZIONE	KSM	
33	28287	1	CONVEYOR	TAPIS DE TRANS.	FORDERER	ENROLLADOR	CONVOGLIATORE	MTH	
34	21415	5	CLIP	AGRAFE	KRAMPE	GRAPA	CLIP	KSM	

TABLE N° : 07 01314 004		DESCRIPTION : BOILER & FAN MITHO-MITHO PLUS		SPARE PARTS LIST			DATE : 2.06.94		
REF.	CODE KIT	QTY	DESCRIPTION	DENOMINATION	BESCHREIBUNG	DESCRIPCION	DESCRIZIONE	TECHNICAL FEATURES	NOTES
35	27413	1	VENTILATOR COV.	COUV. VENTILAT.	VENTILATORDECK.	TAPA VENTILADOR	COPERCHIO VENT.	MTH	
KITS LIST									
	24970	KIT P 19-	6	ref.	3	5	6	7	8
	22586	KIT P 19-	5	ref.	5	6			
	22590	KIT P 17-	6	ref.	28	30			

DATE: 22.06.92

EXPLODED VIEW

DESCRIPTION:
PUMP FORMULA 7LT PRT INX

TABLE N°:
07 01316 001

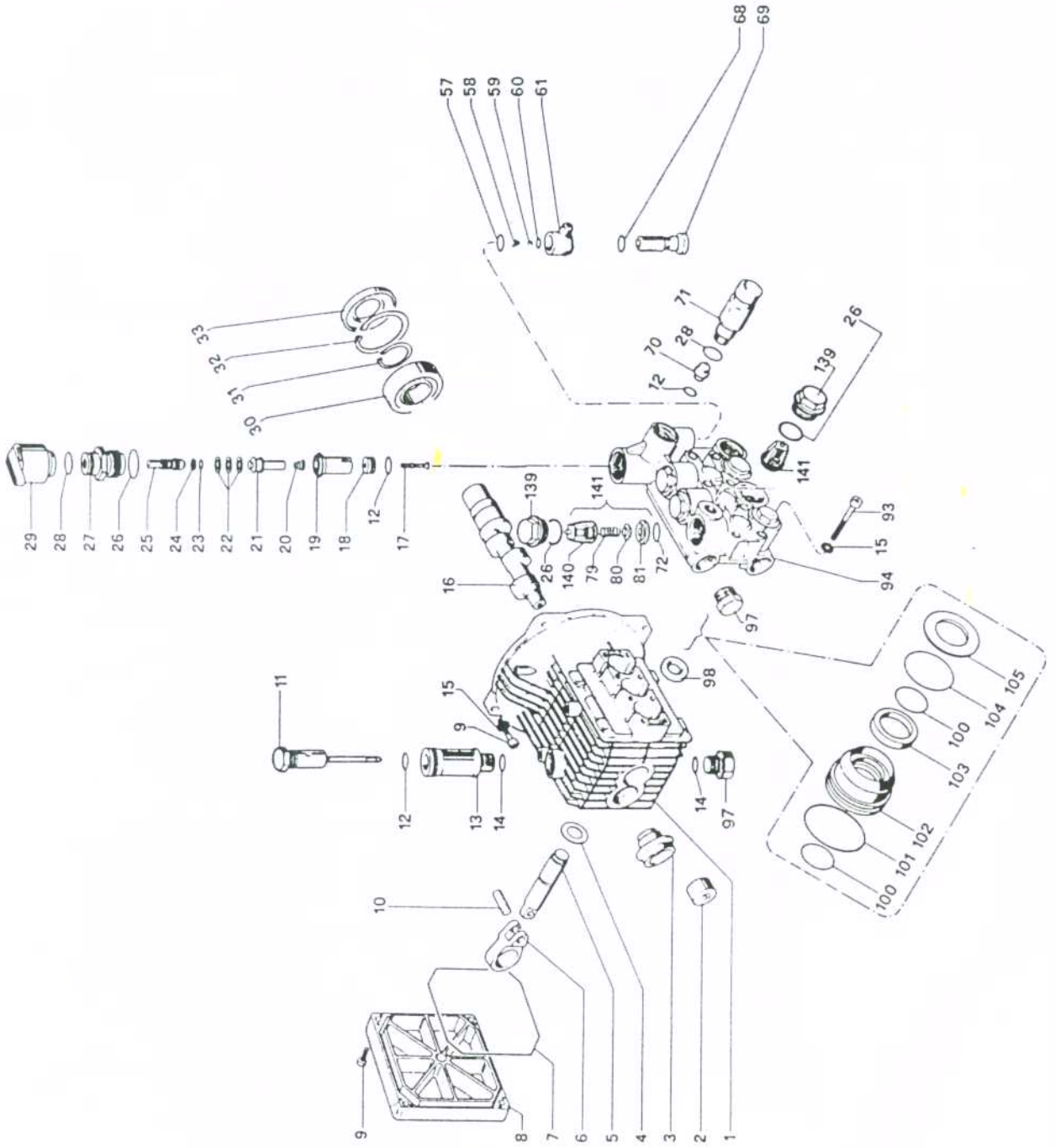


TABLE N° 07 01316 001		DESCRIPTION PUMP FORMULA 7LT PRT INX			SPARE PARTS LIST			DATE 22.06.92	
REF	CODE KIT	Q.TY	DESCRIPTION	DENOMINATION	BESCHREIBUNG	DESCRIPCION	DESCRIZIONE	TECHNICAL FEATURES	NOTES
1	18661	1	CRANKCASE	CARTER	GERAUSE	CARTER	CARTER	CLT	
2	09639	1	CASE	POCHETTE	BEHALTER	ESTUCHE	ASTUCCIO	BJ	
3	01083	1	OIL INDICATOR	VOYANT HUILE	OLSCHAUGLAS	MIRILLA ACEITE	SPIA OLIO	G 3/4 W70-151	
4	27615	3	WASHER	RONDELLE	SCHEIBE	ARANDELA	ROSETTA	D.14.3X23 X1 PLS	
5	27616	3	PISTON	PISTON	KOLBEN	PISTON	PISTONE	D. 15 FORM. INX	
6	09645	3	CONNECTING ROD	BIELLE	PLEUEL	BIELA	BIELLA	BJ	
7	27617	1	O-RING	O-RING	O-RING	O-RING	O-RING	D. 88.57 X 2.62 NBR 70SH	
8	27618	1	CRANKCASE COVER	COUVERCLE CART.	GERAUSEDCKEL	TAPA CARTER	COPERCH. CARTER	FORM.	
9	12255	4	SCREW	VIS	SCHRAUBE	TORNILLO	VITE	TCEI 6X25 UNI5931	
10	09646	3	GUDGEON	CHEVILLE-GOUJON	BOLZEN	BULON	SPINOTTO	D. 8X24.5 BJ	
11	09653	1	OIL DIPSTICK	JAUGE D'HUILE	OLMESSTAB	TAPON ACEITE	TAPPO CAR.OLIO	G 3/8 BJ	
12	03501 k	2	O-RING	O-RING	O-RING	O-RING	O-RING	D. 9.92 X 2.62 VIT 70SH	
13	09652	1	OIL DIP. SPACER	RALL. JAU.HUILE	OLM STABVERLAN.	EXT.TAPON ACEIT	PROL TAPPO OLIO	BJ	
14	01035	2	O-RING	O-RING	O-RING	O-RING	O-RING	D. 13.95 X 2.62 NBR 70SH	
15	01077	8	WASHER	RONDELLE	SCHEIBE	ARANDELA	ROSETTA	D. 6.4X10X0.7	
16	22642	1	SHAFT	ARBRE	KURBELVELLE	CIUENAL	ALBERO	VV 906C	
17	27619 k	1	VALVE	SOUPAPE	VENTIL	VALVULA	VALVOLA	V3	
18	27620 k	1	VALVE SEAT	SIEGE SOUPAPE	VENTIL SITZ	ASIENTO VALVULA	SEDE VALVOLA	V3	
19	27621 k	1	SPACER	ENTRETOISE	DISTANZSTUCK	SEPARADOR	DISTANZIALE	FORM.	
20	27622 k	1	SPRING	RESSORT	FEDER	MUELLE	MOLLA	D. 5.15/8.35X 12 INX	
21	27623 k	1	CONTROL PISTON	PISTON COMMANDE	STUEVERKOLBEN	PISTON DE MANDO	PISTONCINO COM.	FORM.	
22	27624 k	3	SPLIT RING	CALE	KOLBEN RING	ABRAZADERA	FASCIA ELASTICA	D. 17 FORM.	
23	08603	1	O-RING	O-RING	O-RING	O-RING	O-RING	D. 7.66 X 1.78 VIT 70SH	
24	09753	1	ANTI-EXTR.RING	BAGUE ANTIEXTR.	SCHUTZRING	ANILLO DE PROT.	ANELLO ANTIES.	MRG	
25	27625	1	REGULAT. SCREW	VIS DE REGLAGE	REGELSCHRAUBE	TORNILLO DE REG	VITE REGOLAZ.	FORM.	
26	19395 k	7	O-RING	O-RING	O-RING	O-RING	O-RING	D. 20.24 X 2.62 NBR 70SH	
27	27626	1	VALVE G.BUSHING	DOUILLE G.SOUP.	VENTILFUH.BUCH.	MANGUITO G.VAL.	BOCCOLA G.VALV.	FORM.	
28	03507	2	O-RING	O-RING	O-RING	O-RING	O-RING	D. 13.95 X 2.62 VIT 70SH	
29	27627	1	KNOB	POIGNEE	KNAUF	POMOLO	POMOLO	FORM.	
30	12645	1	BALL BEARING	ROULEM.A BILLES	KUGELLAGER	COJINE.DE BOLAS	CUSCIN.A SFERE	6206	
31	12644	1	CIRCLIP	BAGUE D'ARRET	DRAHTSPRENGRING	ARANDELA MUELLE	ANELLO ELASTICO	D. 30 UNI 7435	
32	10405	1	CIRCLIP	BAGUE D'ARRET	DRAHTSPRENGRING	ARANDELA MUELLE	ANELLO ELASTICO	D. 62 RS 99	

TABLE N° 07 01316 001		DESCRIPTION PUMP FORMULA 7LT PRT INX			SPARE PARTS LIST			DATE 22.06.92	
REF	CODE KIT	Q.TY	DESCRIPTION	DENOMINATION	BESCHREIBUNG	DESCRIPCION	DESCRIZIONE	TECHNICAL FEATURES	NOTES
33	18674	1	OIL SEAL	JOINT SPI	OLDCHTUNGSRING	ANILLO RET.ACE.	ANELLO RADIALE	30X 62X 7 NBR70	
57	03496 k	1	O-RING	O-RING	O-RING	O-RING	O-RING	D. 9.25 X 1.78 NBR 70SH	
58	04264 k	1	SPRING	RESSORT	FEDER	MUELLE	MOLLA	D. 4.3X11X7.3 KR	
59	04274 k	1	BALL	BILLE	KUGEL	BOLA	SFERA	D. 7/32	
60	01055 k	1	O-RING	O-RING	O-RING	O-RING	O-RING	D. 5.28 X 1.78 VIT 70SH	
61	20865	1	CONNECTOR	RACCORD	VERBIND.STUCK	RACOR	RACCORDO	O. D.14 - 3-6	
68	01036 k	1	O-RING	O-RING	O-RING	O-RING	O-RING	D. 10.82 X 1.78 NBR 70SH	
69	09709	1	VALVE SEAT	SIEGE SOUPAPE	VENTIL SITZ	ASIENTO VALVULA	SEDE VALVOLA	KR	
70	27770	1	NOZZLE	BUSE	DUSE	BOQUILLA	UGELLO	D. 1.6 FORM.	
70	09723	1	NOZZLE	BUSE	DUSE	BOQUILLA	UGELLO	D. 1.8	
71	21550	1	CONNECTOR	RACCORD	VERBIND.STUCK	RACOR	RACCORDO	3/8X-M D.3 L=37	
72	01032	6	O-RING	O-RING	O-RING	O-RING	O-RING	D. 17.13 X 2.62 NBR 70SH	
79	03560	6	SPRING	RESSORT	FEDER	MUELLE	MOLLA	D. 9.4X14 IP	
80	03559	6	VALVE	SOUPAPE	VENTIL	VALVULA	VALVOLA		
81	03558	6	VALVE SEAT	SIEGE SOUPAPE	VENTIL SITZ	ASIENTO VALVULA	SEDE VALVOLA	W70 - W151 - W201	
93	06236	8	SCREW	VIS	SCHRAUBE	TORNILLO	VITE	TCEI 6X40 UNI5931	
94	27629	1	HEAD	CULASSE	KOPF	CULATA	TESTATA	FORM. ALL.	
97	01090	2	CAP	BOUCHON	VERSCHLUSS	TAPON	TAPPO	3/8X13 M VV90	
98	09690 k	3	OIL SEAL	JOINT SPI	OLDCHTUNGSRING	ANILLO RET.ACE.	ANELLO RADIALE	15X 24X 5 NBR70	
100	01054 k	6	O-RING	O-RING	O-RING	O-RING	O-RING	D. 15.08 X 2.62 NBR 70SH	
101	03506 k	3	O-RING	O-RING	O-RING	O-RING	O-RING	D. 25.12 X 1.78 NBR 70SH	
102	27630	3	PACKING RETAIN.	BAGUE P.GARNIT.	MANSCHETT HALT.	ANILLO P.GUARN.	ANELLO DI FONDO	D. 15 FORM.	
103	27631 k	3	ANTI-EXTR.RING	BAGUE ANTIEXTR.	SCHUTZRING	ANILLO DE PROT.	ANELLO ANTIES.	1P	
104	08182 k	3	O-RING	O-RING	O-RING	O-RING	O-RING	NB.70	
105	27632 k	3	WASHER	RONDELLE	SCHEIBE	ARANDELA	ROSETTA	D.16.5X24.8X1	
139	09688 k	6	CAP	BOUCHON	VERSCHLUSS	TAPON	TAPPO	M 24X1.5 BJ	
140	03561	6	VALVE GUIDE	BOUCHON	VERSCHLUSS	TAPON	TAPPO		
141	01104 k	6	VALVE UNIT	ENSEMBL. CLAPET	VENTILAGGREGAT	GRUPO VALVULA	GRUPPO VALVOLA	W 70-151	

KITS LIST

27768	KIT P 15-120	ref.	012 017 018 019 020 021 022
18652	KIT P 15- 84	ref.	026 139
27769	KIT P 15- 95	ref.	057 058 059 060 068

TABLE N°:

07 01316 001

DESCRIPTION:

PUMP FORMULA 7LT PRT INX

EXPLODED VIEW

DATE:

22.06.92

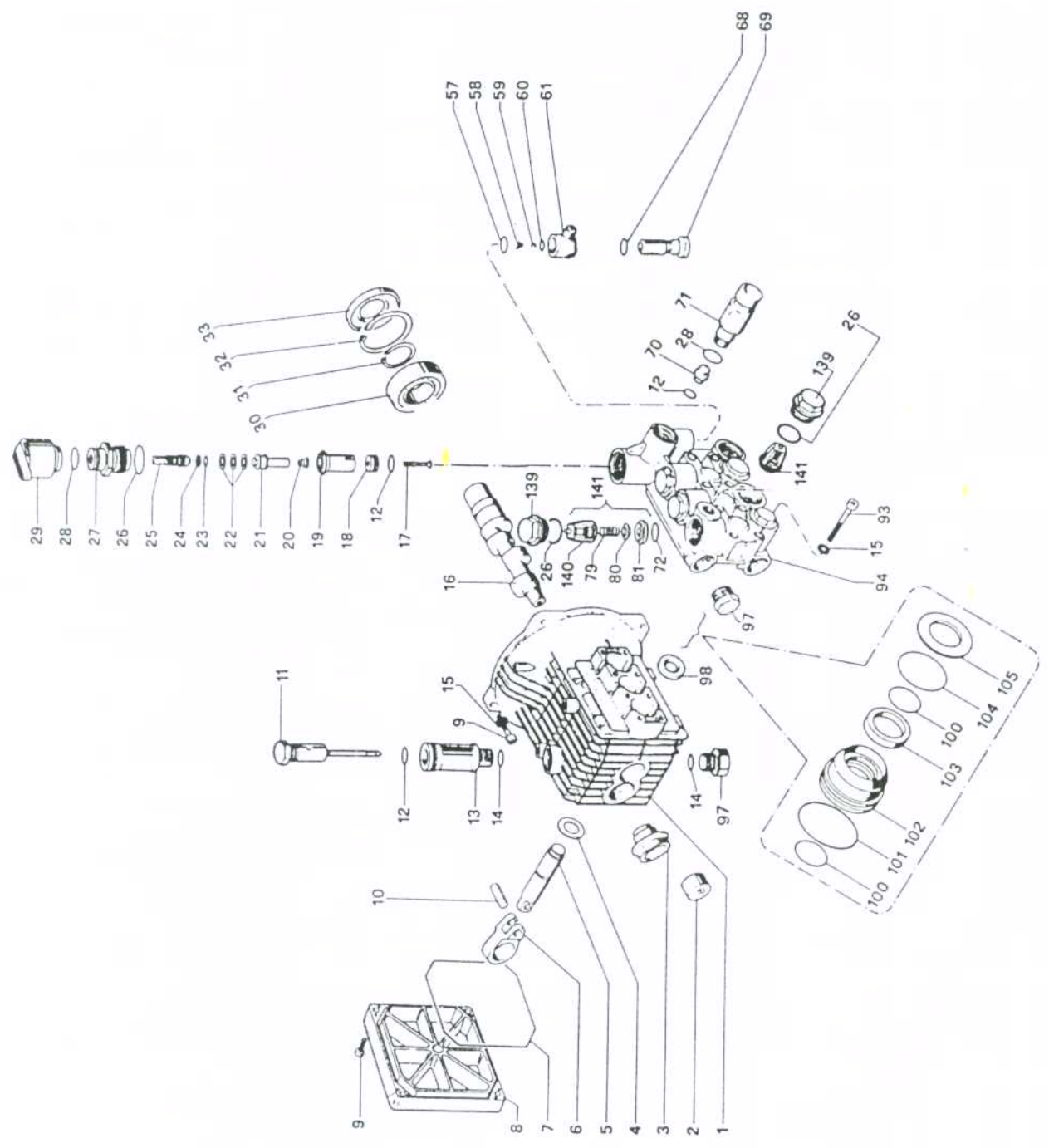


TABLE N°	DESCRIPTION	SPARE PARTS LIST				DATE				
07 01316 001	PUMP FORMULA 7LT PRT INX					22.06.92				
REF	CODE KIT	Q.TY	DESCRIPTION	DENOMINATION	BESCHREIBUNG	DESCRIPCION	DESCRIZIONE	TECHNICAL FEATURES	NOTES	
KITS LIST										
	18651		KIT P 15- 83		ref.	098				
	27767		KIT P 15-118		ref.	100	101	103	104	105
	17859		KIT P 15- 1		ref.	141				

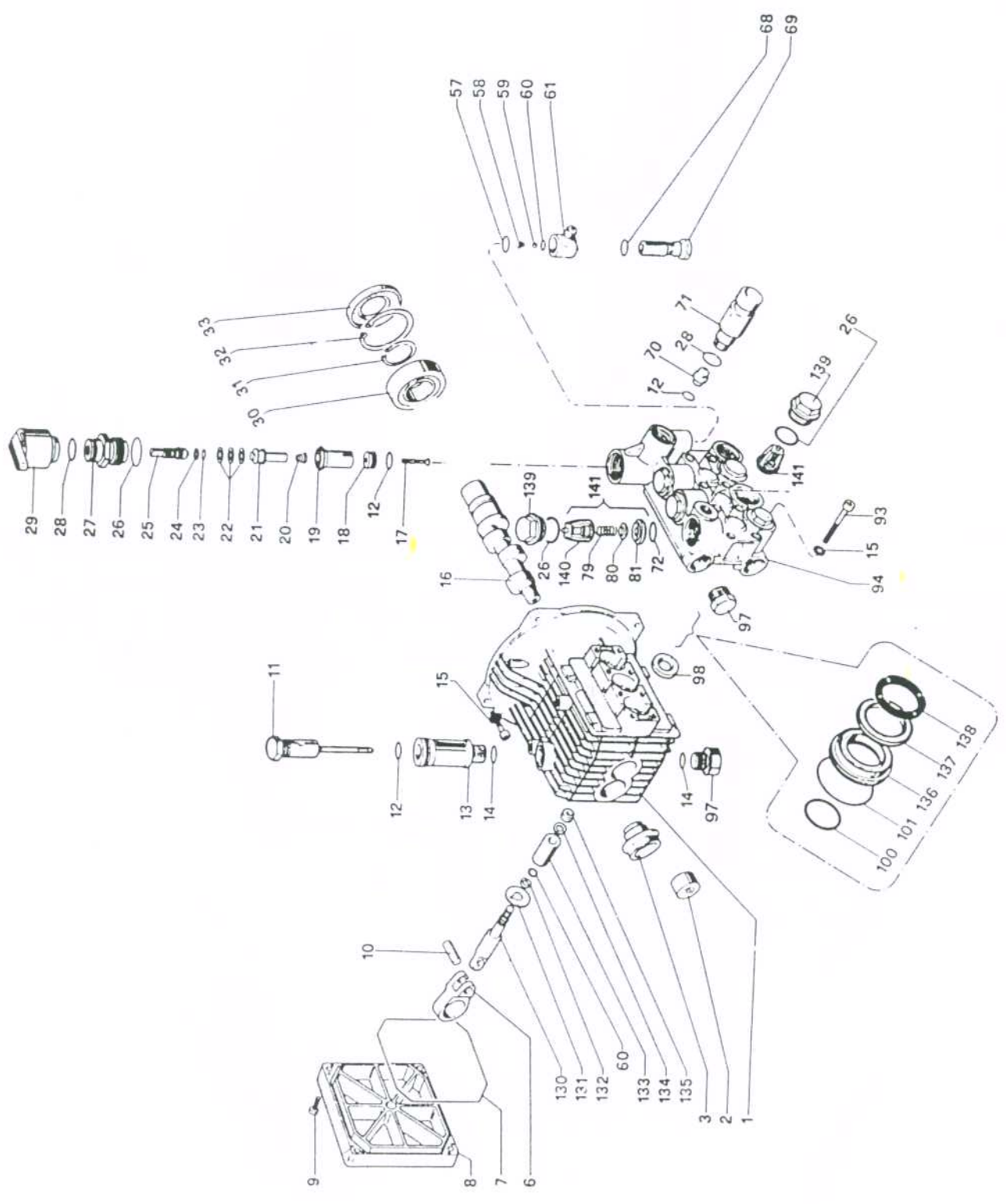
TABLE N°	DESCRIPTION	SPARE PARTS LIST				DATE			
REF	CODE KIT	Q.TY	DESCRIPTION	DENOMINATION	BESCHREIBUNG	DESCRIPCION	DESCRIZIONE	TECHNICAL FEATURES	NOTES

TABLE N°:
07 01318 003

DESCRIPTION:
PUMP FORMULA 7LT PRT CER.

EXPLODED VIEW

DATE:
5.04.94



BLE N°	DESCRIPTION	SPARE PARTS LIST					DATE		
07 01318 003	PUMP FORMULA 7LT PRT CER.						5.04.94		
REF	CODE KIT	QTY	DESCRIPTION	DENOMINATION	BESCHREIBUNG	DESCRIPCION	DESCRIZIONE	TECHNICAL FEATURES	NOTES
1	18661	1	CRANKCASE	CARTER	GEHAUSE	CARTER	CARTER	CLT	
2	09639	1	CASE	POCHETTE	BEHALTER	ESTUCHE	ASTUCCIO	BJ	
3	01083	1	OIL INDICATOR	VOYANT HUILE	OLSCHAUGLAS	MIRILLA ACEITE	SPIA OLIO	G 3/4 W70-151	
6	09645	3	CONNECTING ROD	BIELLE	PLEUEL	BIELA	BIELLA	BJ	
7	27617	1	O-RING	O-RING	O-RING	O-RING	O-RING	D. 88.57 X 2.62 NBR 70SH	
8	27618	1	CRANKASE COVER	COUVERCLE CART.	GEHAUSEDECKEL	TAPA CARTER	COPERCH. CARTER	FORM.	
9	12255	4	SCREW	VIS	SCHRAUBE	TORNILLO	VITE	TCEI 6X25 UNI5931	
10	09646	3	GUDGEON	CHEVILLE-GOUJON	BOLZEN	BULON	SPINOTTO	D. 8X24.5 BJ	
11	09653	1	OIL DIPSTICK	JAUGE D'HUILE	OLMESSTAB	TAPON ACEITE	TAPPO CAR. OLIO	G 3/8 BJ	
12	03501 k	2	O-RING	O-RING	O-RING	O-RING	O-RING	D. 9.92 X 2.62 VIT 70SH	
13	09652	1	OIL DIP. SPACER	RALL. JAU. HUILE	OLM. STABVERLAN.	EXT. TAPON ACEIT	PROL. TAPPO OLIO	BJ	
14	01035	2	O-RING	O-RING	O-RING	O-RING	O-RING	D. 13.95 X 2.62 NBR 70SH	
15	01077	8	WASHER	RONDELLE	SCHEIBE	ARANDELA	ROSETTA	D. 6.4X10X0.7	
16	22642	1	SHAFT	ARBRE	KURBELWELLE	CIUENAL	ALBERO	VW 906C	
17	27619 k	1	VALVE	SOUPAPE	VENTIL	VALVULA	VALVOLA	W3	
18	27620 k	1	VALVE SEAT	SIEGE SOUPAPE	VENTIL SITZ	ASIENTO VALVULA	SEDE VALVOLA	W3	
19	27621 k	1	SPACER	ENTRETOISE	DISTANZSTUCK	SEPARADOR	DISTANZIALE	FORM.	
20	27622 k	1	SPRING	RESSORT	FEDER	MUELLE	MOLLA	D. 5.15/8.35X 12 INX	
21	27623 k	1	CONTROL PISTON	PISTON COMMANDE	STUEVERKOLBEN	PISTON DE MANDO	PISTONCINO COM.	FORM.	
22	27624 k	3	SPLIT RING	CALE	KOLBEN RING	ABRAZADERA	FASCIA ELASTICA	D. 17 FORM.	
23	08603	1	O-RING	O-RING	O-RING	O-RING	O-RING	D. 7.66 X 1.78 VIT 70SH	
24	09753	1	ANTI-EXTR. RING	BAGUE ANTIEXTR.	SCHUTZRING	ANILLO DE PROT.	ANELLO ANTIES.	MRG	
25	27625	1	REGULAT. SCREW	VIS DE REGLAGE	REGELSCHRAUBE	TORNILLO DE REG	VITE REGOLAZ.	FORM.	
26	19395 k	7	O-RING	O-RING	O-RING	O-RING	O-RING	D. 20.24 X 2.62 NBR 70SH	
27	27626	1	VALVE G. BUSHING	DOUILLE G. SOUP.	VENTILFUH. BUCH.	MANGUITO G. VAL.	BOCCOLA G. VALV.	FORM	
28	03507	2	O-RING	O-RING	O-RING	O-RING	O-RING	D. 13.95 X 2.62 VIT 70SH	
29	27627	1	KNOB	POIGNEE	KNAUF	POMULO	POMOLO	FORM.	
30	12645	1	BALL BEARING	ROULEM. A BILLES	KUGELLAGER	COJINE. DE BOLAS	CUSCIN. A SFERE	6206	
31	12644	1	CIRCLIP	BAGUE D'ARRET	DRAHTSPRENGRING	ARANDELA MUELLE	ANELLO ELASTICO	D. 30 UNI 7435	
32	10405	1	CIRCLIP	BAGUE D'ARRET	DRAHTSPRENGRING	ARANDELA MUELLE	ANELLO ELASTICO	D. 62 UNI 7437	
33	18674	1	OIL SEAL	JOINT SPI	OLDCHTUNGSRING	ANILLO RET. ACE.	ANELLO RADIALE	30X 62X 7 NBR70	
57	03496 k	1	O-RING	O-RING	O-RING	O-RING	O-RING	D. 9.25 X 1.78 NBR 70SH	

BLE N°	DESCRIPTION	SPARE PARTS LIST					DATE		
07 01318 003	PUMP FORMULA 7LT PRT CER.						5.04.94		
REF	CODE KIT	QTY	DESCRIPTION	DENOMINATION	BESCHREIBUNG	DESCRIPCION	DESCRIZIONE	TECHNICAL FEATURES	NOTES
58	04264 k	1	SPRING	RESSORT	FEDER	MUELLE	MOLLA	D. 4.3X11X7.3 KR	
59	04274 k	1	BALL	BILLE	KUGEL	BOLA	SFERA	D. 7/32	
60	01055 k	1	O-RING	O-RING	O-RING	O-RING	O-RING	D. 5.28 X 1.78 VIT 70SH	
61	20865	1	CONNECTOR	RACCORD	VERBIND. STUCK	RACOR	RACCORDO	O. D. 14 - 3-6	
68	01036 k	1	O-RING	O-RING	O-RING	O-RING	O-RING	D. 10.82 X 1.78 NBR 70SH	
69	09709	1	VALVE SEAT	SIEGE SOUPAPE	VENTIL SITZ	ASIENTO VALVULA	SEDE VALVOLA	KR	
70	09723	1	NOZZLE	BUSE	DUSE	BOQUILLA	UGELLO	D. 1.8	
70	27770	1	NOZZLE	BUSE	DUSE	BOQUILLA	UGELLO	D. 1.6 FORM.	
70	31331	1	NOZZLE	BUSE	DUSE	BOQUILLA	UGELLO	D. 1.5 FORM.	
71	21550	1	CONNECTOR	RACCORD	VERBIND. STUCK	RACOR	RACCORDO	3/8M-M D.3 L=37	
72	01032	6	O-RING	O-RING	O-RING	O-RING	O-RING	D. 17.13 X 2.62 NBR 70SH	
79	03560	6	SPRING	RESSORT	FEDER	MUELLE	MOLLA	D. 9.4X14 1P	
80	03559	6	VALVE	SOUPAPE	VENTIL	VALVULA	VALVOLA		
81	03558	6	VALVE SEAT	SIEGE SOUPAPE	VENTIL SITZ	ASIENTO VALVULA	SEDE VALVOLA	W70 - W151 - W201	
93	06236	8	SCREW	VIS	SCHRAUBE	TORNILLO	VITE	TCEI 6X40 UNI5931	
94	27629	1	HEAD	CULASSE	KOPF	CULATA	TESTATA	FORM. ALL.	
94	18931	1	HEAD	CULASSE	KOPF	CULATA	TESTATA	VW 90 OTT INT.	
97	01090	2	CAP	BOUCHON	VERSCHLUSS	TAPON	TAPPO	3/8X13 M VW90	
98	09690 k	3	OIL SEAL	JOINT SPI	OLDCHTUNGSRING	ANILLO RET. ACE.	ANELLO RADIALE	15X 24X 5 NBR70	
00	01054 k	3	O-RING	O-RING	O-RING	O-RING	O-RING	D. 15.08 X 2.62 NBR 70SH	
01	03506 k	3	O-RING	O-RING	O-RING	O-RING	O-RING	D. 25.12 X 1.78 NBR 70SH	
30	09642	3	PISTON GUIDE	TIGE DE PISTON	KOLBENFUHRUNG	GUIA DE PISTON	GUIDA PISTONE	BJ	
31	09320	3	WASHER	RONDELLE	SCHEIBE	ARANDELA	ROSETTA	D. 9X23X0.5	
32	10257	3	ANTI-EXTR. RING	BAGUE ANTIEXTR.	SCHUTZRING	ANILLO DE PROT.	ANELLO ANTIES.	VW161	
33	09641	3	PISTON	PISTON	KOLBEN	PISTON	PISTONE	D. 15 BJ	
34	09321	3	WASHER	RONDELLE	SCHEIBE	ARANDELA	ROSETTA	D. 8X13X1	
35	07060	3	NUT	ECROU	SCHRAUBMUTTER	TUERCA	DADO	M 8X13 INX HM	
36	09687 k	3	PACKING RETAIN.	BAGUE P. GARNIT.	MANSCHETT. HALT.	ANILLO P. GUARN.	ANELLO DI FONDO	D. 15 BJ	
37	09323 k	3	PACKING	BAGUE D'ETANCH.	DACHMANSCHETTE	ANILLO RETENC.	ANELLO TENUTA	D. 15 BJ	
38	09327 k	3	HEAD RING	BAGUE DE TETE	KOPFRING	ANILLO DE CABE.	ANELLO DI TESTA	D. 15	
39	09688 k	6	CAP	BOUCHON	VERSCHLUSS	TAPON	TAPPO	M 24X1.5 BJ	
40	03561	6	VALVE GUIDE	GUIDE SOUPAPE	VENTILFUHRUNG	GUIA VALVULA	GUIDA VALVOLA		

TABLE N°:
07 01318 003

DESCRIPTION:
PUMP FORMULA 7LT PRT CER.

EXPLODED VIEW

DATE:
5.04.94

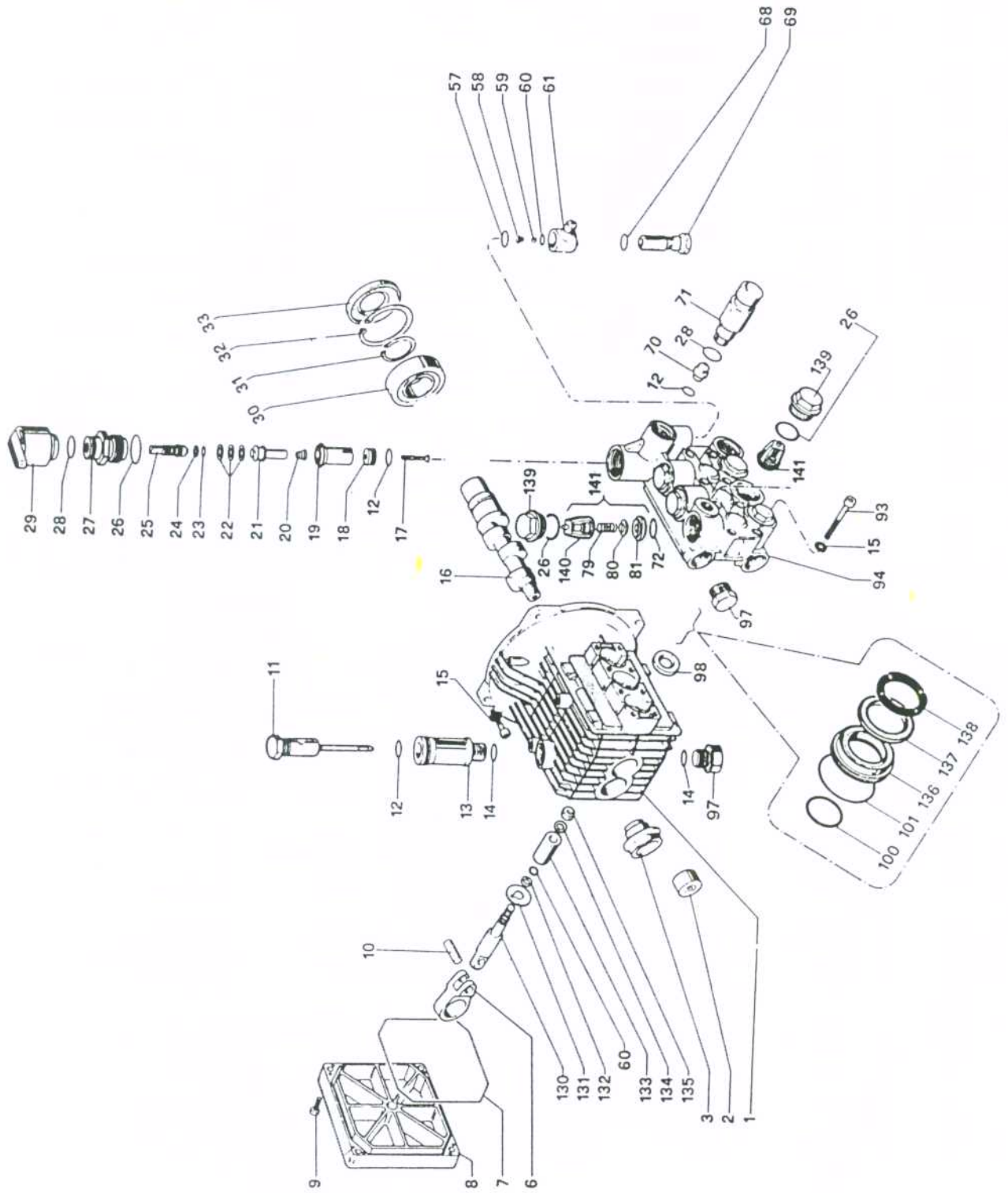


TABLE N°:

07 01321 000

DESCRIPTION:
SPRAY GUN RL 15

EXPLODED VIEW

DATE:

1.04.92

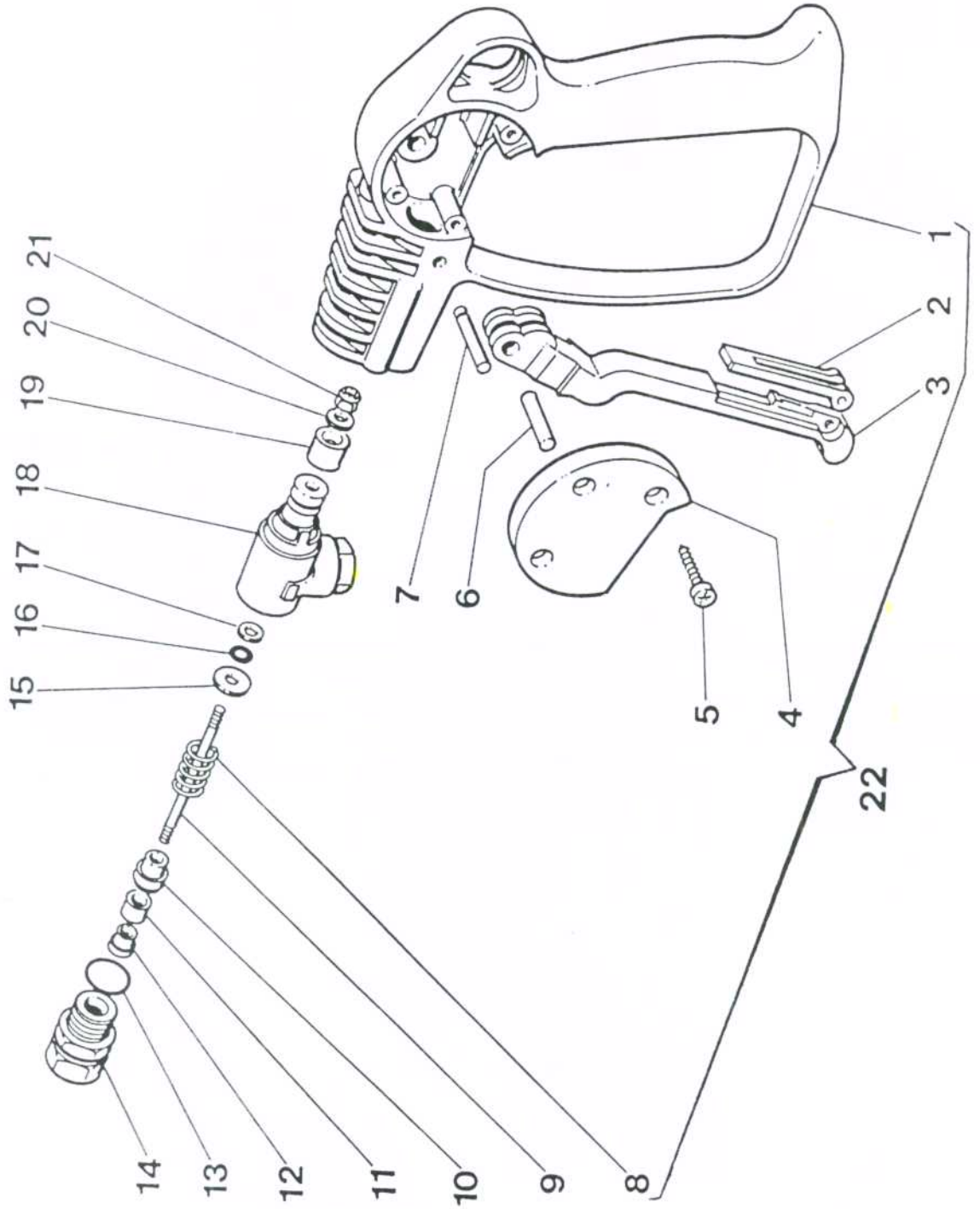


TABLE N° : 07 01321 000		DESCRIPTION : SPRAY GUN RL 15			SPARE PARTS LIST			DATE 1.04.92	
REF	CODE KIT	Q.TY	DESCRIPTION	DENOMINATION	BESCHREIBUNG	DESCRIPCION	DESCRIZIONE	TECHNICAL FEATURES	NOTES
1	21779	1	BODY	COQUE	KAROSSERIEKORP.	CUERPO	SCocca	RL 15	
2	17684	1	SAFETY-DEVICE	DISP.D.SECURITE	SICHERHEITSSP.	DISP.D.SECURID.	SICURA		
3	21780	1	TRIGGER	GACHETTE	DRUCKER	GRILLETTE	GRILLETTO		
4	21781	1	SIDE COVER	COUVERCLE LAT.	SEITLICH DECKEL	TAPA LATERAL	COPERCHIO LAT.		
5	11908	3	SCREW	VIS	SCHRAUBE	TORNILLO	VITE	3,5x19	
6	21782	1	PLUG	GOUPILLE	STIFT	PASADOR	SPINA	D. 3x24.5	
7	11287	1	PLUG	GOUPILLE	STIFT	PASADOR	SPINA	D. 5x28	
8	11917 k	1	SPRING	RESSORT	FEDER	MUELLE	MOLLA	D. 2,2	
9	11912 k	1	TIE ROD	TIRANT	ZUGSTANGE	TIRANTE	TIRANTE		
10	11916 k	1	SHUTTER	OBTURATEUR	SCHIEBER	OBTURADOR	OTTURATORE		
11	11915 k	1	BALL SEAT	SIEGE BILLE	KUGEL SITZ	ASIENTO BOLA	SEDE SFERA		
12	11914 k	1	SEAT GUIDE	GUIDE SIEGE	SITZ FUHRUNG	GUIA ASIENTO	GUIDA SEDE		
13	03505 k	1	O-RING	O-RING	O-RING	O-RING	O-RING	D. 15.6 X 1.78 NBR 70SH	
14	11913	1	FRONT COUPLING	ATTAQUE ANTER.	VORDERE KUPPLU.	CONEXION ANTER.	ATTACCO ANT.	G 1/4	
15	11918 k	1	WASHER	RONDELLE	UNTERLEGSCHIEBE	ARANDELA	ROSETTA		
16	06785 k	1	O-RING	O-RING	O-RING	O-RING	O-RING	D. 3.7 X 2.4 VIT 80SH	
17	13790 k	1	ANTI-EXTR.RING	BAGUE ANTIEXTR.	SCHUTZRING	ANILLO DE PROT.	ANELLO ANTIES.		
18	11919	1	CENTRAL BODY	CORPS CENTRAL	ZWISCHENKORPER	CUERPO CENTRAL	CORPO CENTRALE	G 3/8	
19	17739	1	PAWL	CLIQUET	SPERBZAHN		NOTTOLINO		
20	17740	1	WASHER	RONDELLE	SCHIEBE	ARANDELA	ROSETTA	D. 4 X 8	
21	11921	1	NUT	ECROU	SCHRAUBMUTTER	TUERCA	DADO	M4	
22	21320	1	GRIP	POIGNEE	HANDGRIFF	EMPUNADURA	IMPUGNATURA	RL 15	

KITS LIST

12303 KIT P 26- 7 ref. 008 009 010 011 012 015 017

12141 KIT P 26- 8 ref. 011 012 013 016 017

TABLE N° :		DESCRIPTION :			SPARE PARTS LIST			DATE :	
REF	CODE KIT	Q.TY	DESCRIPTION	DENOMINATION	BESCHREIBUNG	DESCRIPCION	DESCRIZIONE	TECHNICAL FEATURES	NOTES

TABLE N°:		DESCRIPTION:		SPARE PARTS LIST			DATE:		
04 00133 001		MTH 1301-1302M 230V 50HZ					17.03.95		
REF.	CODE KIT	Q.TY	DESCRIPTION	DENOMINATION	BESCHREIBUNG	DESCRIPCION	DESCRIZIONE	TECHNICAL FEATURES	NOTES
C	11186	1	CONDENSER	CONDENSEUR	KONDENSATOR	CONDENSADOR	CONDENSATORE	11.5 MF 400V 50-60HZ	
F	02824	1	FUSE	FUSIBLE	ABSCHMEL. HERUNG	FUSIBLE	FUSIBILE	5X20 1A	
M	27390	1	1PH MOTOR	MOTEUR 1PH	1PH MOTOR	MOTOR 1PH	MOTORE MO.	MTH HP1.7 230-50 2P H801P	
AT	08014	1	TRANSFORMER	TRANSFORMATEUR	TRANSFORMATOR	TRANSFORMADOR	TRASFORMATORE	230V-50HZ 2 X 4000V	
DA	27870	1	GROUND PROTECT.	DISJOINCTEUR	AUFTRENNER	DISJUNTORE	DISGIUNTORE	WEBER T11-211 12A	
IB	27900	1	SWITCH	INTERRUPTEUR	SCHALTER	INTERRUPTOR	INTERRUTTORE	SLX 16A 250V 0-1 82MB B1	
IG	27900	1	SWITCH	INTERRUPTEUR	SCHALTER	INTERRUPTOR	INTERRUTTORE	SLX 16A 250V 0-1 82MB B1	
PG	27731	1	FUEL PUMP	POMPE FUEL	BRENNSTOFFPUMPE	BOMBA GASOIL	POMPA GASOLIO	MP45 SLRS 220V/0.75 10 RC	
P1	27432	1	PRESS GAUGE/SW.	PRESS./MANOM.	DRUCK WACH. MSS	PRESOMANOMETRO	PRESSOMANOMETRO	PRT MTH	
P2	28907	1	PRESSURE SWITCH	PRESSOSTAT	DRUCKWACHTER	PRESOSTATO	PRESSOSTATO	SLX 4.5 M BAR N.A	
CV1	27734	1	CABLE	CABLE	KABEL	CABLE	CAVO	H07 RNF 3X1.5 L-4 500	
TH1	30980	1	THERMOSTAT	THERMOSTAT	THERMOSTAT	TERMOSTATO	TERMOSTATO	65AC STB/901 16(4)A 250V	
TH2	27420	1	THERMOSTAT	THERMOSTAT	THERMOSTAT	TERMOSTATO	TERMOSTATO	100AC STB 16(4)A 250V	

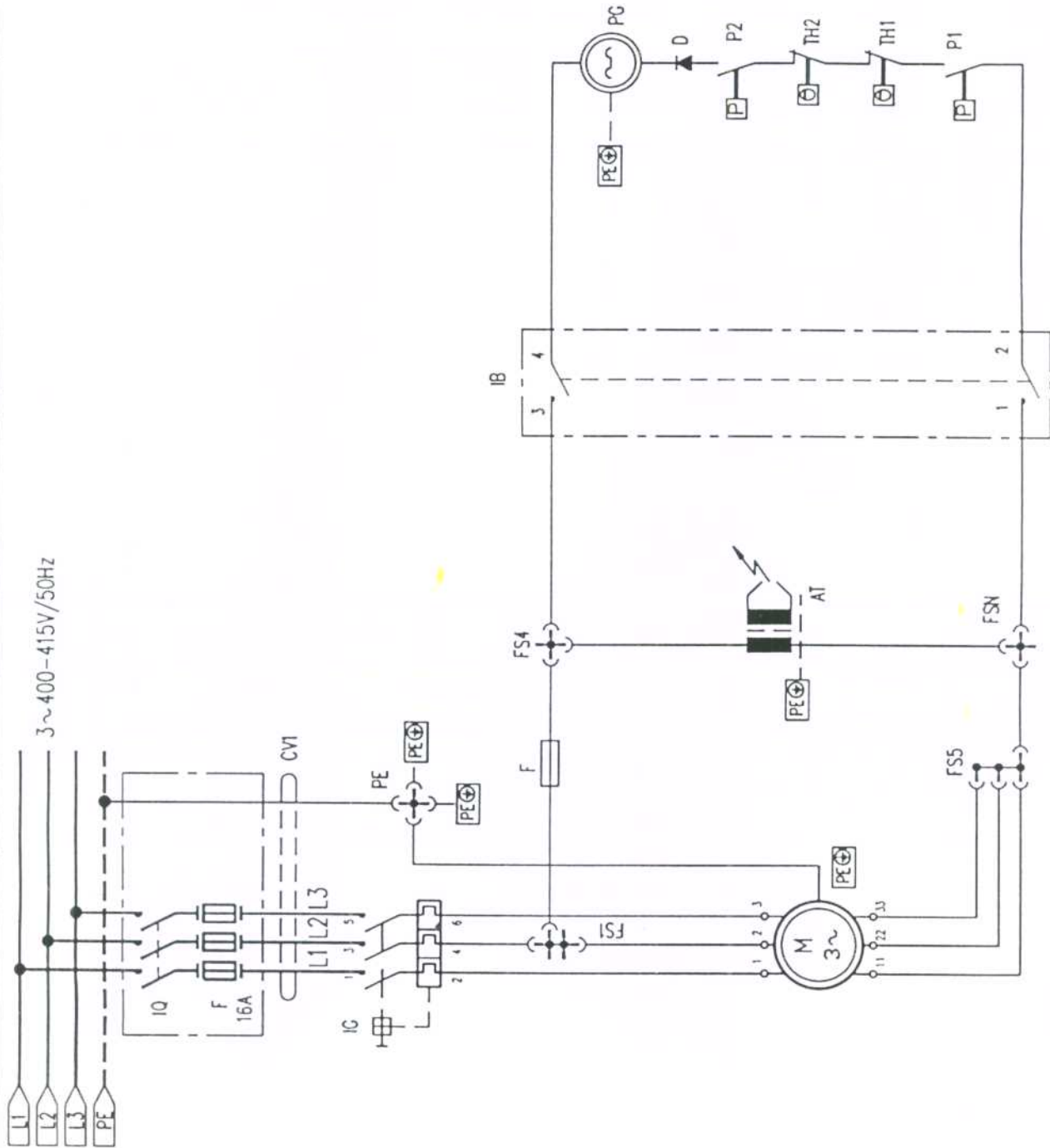
TABLE N°:		DESCRIPTION:		SPARE PARTS LIST			DATE:		
REF.	CODE KIT	Q.TY	DESCRIPTION	DENOMINATION	BESCHREIBUNG	DESCRIPCION	DESCRIZIONE	TECHNICAL FEATURES	NOTES

TABLE N° :
04 00135 001

DESCRIPTION :
MTH 1301-1302T 400V 50Hz

EXPLODED VIEW

DATE :
17.03.95



BLE N° :		DESCRIPTION :		SPARE PARTS LIST				DATE :	
04 00135 001		MTH 1301-1302T 400V 50HZ						17 03 95	
REF.	CODE KIT	QTY	DESCRIPTION	DENOMINATION	BESCHREIBUNG	DESCRIPCION	DESCRIZIONE	TECHNICAL FEATURES	NOTES
M	27396	1	3PH MOTOR	MOTEUR 3PH	3PH MOTOR	MOTOR 3PH	MOTORE TR.	MTH HP1 400-50 2P H801P	
AT	08014	1	TRANSFORMER	TRANSFORMATEUR	TRANSFORMATOR	TRANSFORMADOR	TRASFORMATORE	230V-50HZ 2 X 4000V	
F1	02824	1	FUSE	FUSIBLE	ABSCHMEL.HERUNG	FUSIBLE	FUSIBILE	5X20 1A	
1B	01884	1	BS SWITCH	INTERRUPTEUR BS	BS SCHALTER	INTERRUPTOR BS	INTERRUTTORE BS	A 1002 TEC 0-1 HD1202R000	
IG	27871	1	SWITCH	INTERRUPTEUR	SCHALTER	INTERRUPTOR	INTERRUTTORE	O.K.A. 4-6,3 A	
PG	27731	1	FUEL PUMP	POMPE FUEL	BRENNSTOFFPUMPE	BOMBA GASOIL	POMPA GASOLIO	MP45 SIRS 220V/0.75 10 RC	
P1	27432	1	PRESS. GAUGE/SV.	PRESS./MANOM.	DRUCK WATCH.MSS	PRESOMANOMETRO	PRESSOMANOMETRO	PRT MTH	
P2	28907	1	PRESSURE SWITCH	PRESSOSTAT	DRUCKWACHTER	PRESOSTATO	PRESSOSTATO	SLX 4.5 M.BAR N.A.	
ZV1	27738	1	CABLE	CABLE	KABEL	CABLE	CAVO	H07 RN-F 4X1.5 L=4.500	
TH1	30980	1	THERMOSTAT	THERMOSTAT	THERMOSTAT	TERMOSTATO	TERMOSTATO	65AC STB/901 16(4)A 250V	
TH2	27420	1	THERMOSTAT	THERMOSTAT	THERMOSTAT	TERMOSTATO	TERMOSTATO	100AC STB 16(4)A 250V	

BLE N° :		DESCRIPTION :		SPARE PARTS LIST				DATE :	
REF.	CODE KIT	QTY	DESCRIPTION	DENOMINATION	BESCHREIBUNG	DESCRIPCION	DESCRIZIONE	TECHNICAL FEATURES	NOTES

TABLE N°:

04-00115-001

DESCRIPTION:

MTH 1801-1802M 230V 50HZ

EXPLODED VIEW

DATE:

17.03.95

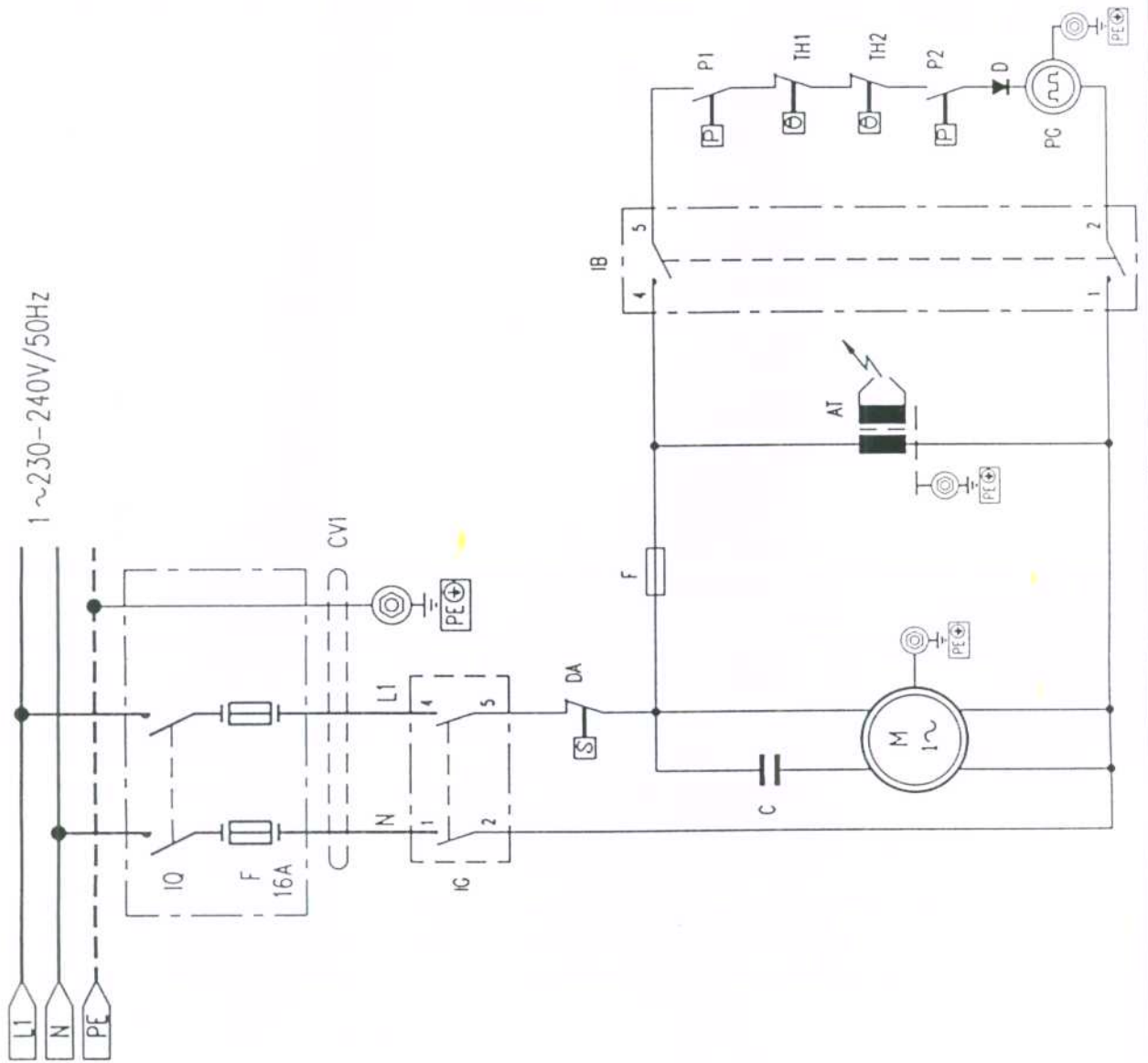


TABLE N° : 04 00115 001		DESCRIPTION : MTH 1801-1802M 230V 50HZ		SPARE PARTS LIST				DATE : 17.03.95	
REF	CODE KIT	QTY	DESCRIPTION	DENOMINATION	BESCHREIBUNG	DESCRIPCION	DESCRIZIONE	TECHNICAL FEATURES	NOTES
M	31013	1	IPH MOTOR	MOTEUR IPH	IPH MOTOR	MOTOR IPH	MOTORE MO.	MTH HP2 230-50 2P H80IP	
AT	08014	1	TRANSFORMER	TRANSFORMATEUR	TRANSFORMATOR	TRANSFORMADOR	TRASFORMATORE	230V-50HZ 2 X 4000V	
C1	13159	1	CONDENSER	CONDENSEUR	KONDENSATOR	CONDENSADOR	CONDENSATORE	HP2 M 220-50 60MF	
DA	18888	1	GROUND PROTECT.	DISJOINCTEUR	AUFTRENNER	DISJUNTORE	DISGIUNTORE	T11-211 10A	
F1	02824	1	FUSE	FUSIBLE	ABSCHMEL. HERUNG	FUSIBLE	FUSIBILE	5X20 1A	
IB	27900	1	SWITCH	INTERRUPTEUR	SCHALTER	INTERRUPTOR	INTERRUTTORE	SLX 16A 250V 0-1 82M8 B1	
IG	27900	1	SWITCH	INTERRUPTEUR	SCHALTER	INTERRUPTOR	INTERRUTTORE	SLX 16A 250V 0-1 82M8 B1	
PG	29168	1	FUEL PUMP	POMPE FUEL	BRENNSTOFFPUMPE	BOMBA GASOIL	POMPA GASOLIO	MP45 SLRS 220V/0.50 15 RC	
P1	27432	1	PRESS. GAUGE/SV.	PRESS. /MANOM.	DRUCK WACH. MSS	PRESOMANOMETRO	PRESSOMANOMETRO	PRT MTH	
P2	28907	1	PRESSURE SWITCH	PRESSOSTAT	DRUCKVACHTER	PRESOSTATO	PRESSOSTATO	SLX 4.5 M BAR N.A.	
CV1	27734	1	CABLE	CABLE	KABEL	CABLE	CAVO	H07 RNF 3X1.5 L=4.500	
TH1	30980	1	THERMOSTAT	THERMOSTAT	THERMOSTAT	TERMOSTATO	TERMOSTATO	65XC STB/90L 16(4)A 250V	
TH2	27420	1	THERMOSTAT	THERMOSTAT	THERMOSTAT	TERMOSTATO	TERMOSTATO	100XC STB 16(4)A 250V	

BLE N° :		DESCRIPTION :		SPARE PARTS LIST				DATE :	
REF.	CODE KIT	QTY	DESCRIPTION	DENOMINATION	BESCHREIBUNG	DESCRIPCION	DESCRIZIONE	TECHNICAL FEATURES	NOTES