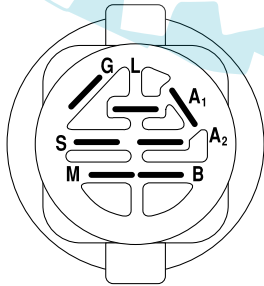


NOTE

YOUR TRACTOR IS EQUIPPED WITH A SPECIAL ALTERNATOR SYSTEM. THE LIGHTS ARE NOT CONNECTED TO THE BATTERY, BUT HAVE THEIR OWN ELECTRICAL SOURCE. BECAUSE OF THIS, THE BRIGHTNESS OF THE LIGHTS WILL CHANGE WITH ENGINE SPEED. AT IDLE THE LIGHTS WILL DIM. AS THE ENGINE IS SPEEDED UP, THE LIGHTS WILL BECOME THEIR BRIGHTEST.



IGNITION SWITCH

POSITION	CIRCUIT	"MAKE"
OFF	M+G+A1	NONE
RUN/LIGHT	B+A1	A2+L
RUN	B+A1	NONE
START	B + S + A1	NONE

WIRING INSULATED CLIPS

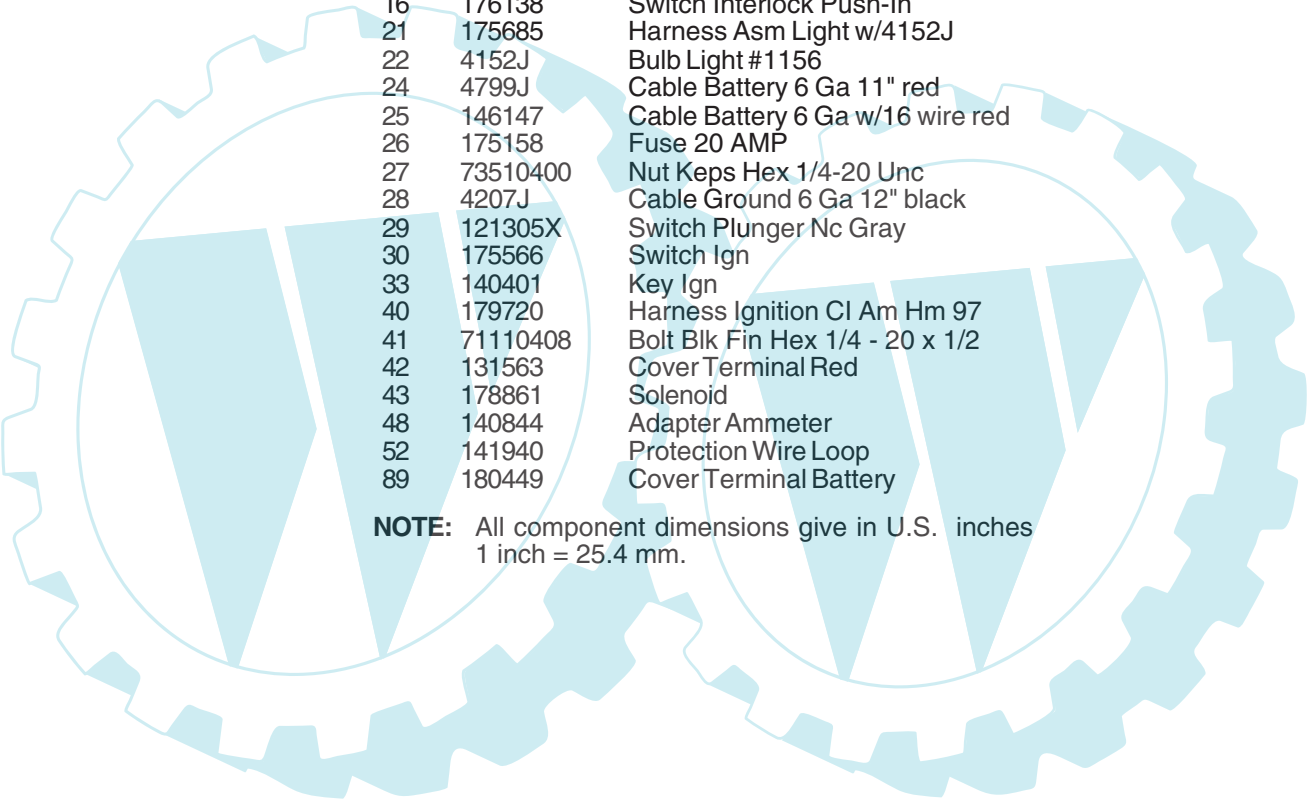
NOTE: IF WIRING INSULATED CLIPS WERE REMOVED FOR SERVICING OF UNIT, THEY SHOULD BE REPLACED TO PROPERLY SECURE YOUR WIRING.

NON-REMOVABLE CONNECTIONS

REMOVABLE CONNECTIONS

REPAIR PARTS

TRACTOR - - MODEL NO. MAC 1292-AP (MA1236HKA) PRODUCT NO. 964 77 41-00
ELECTRICAL

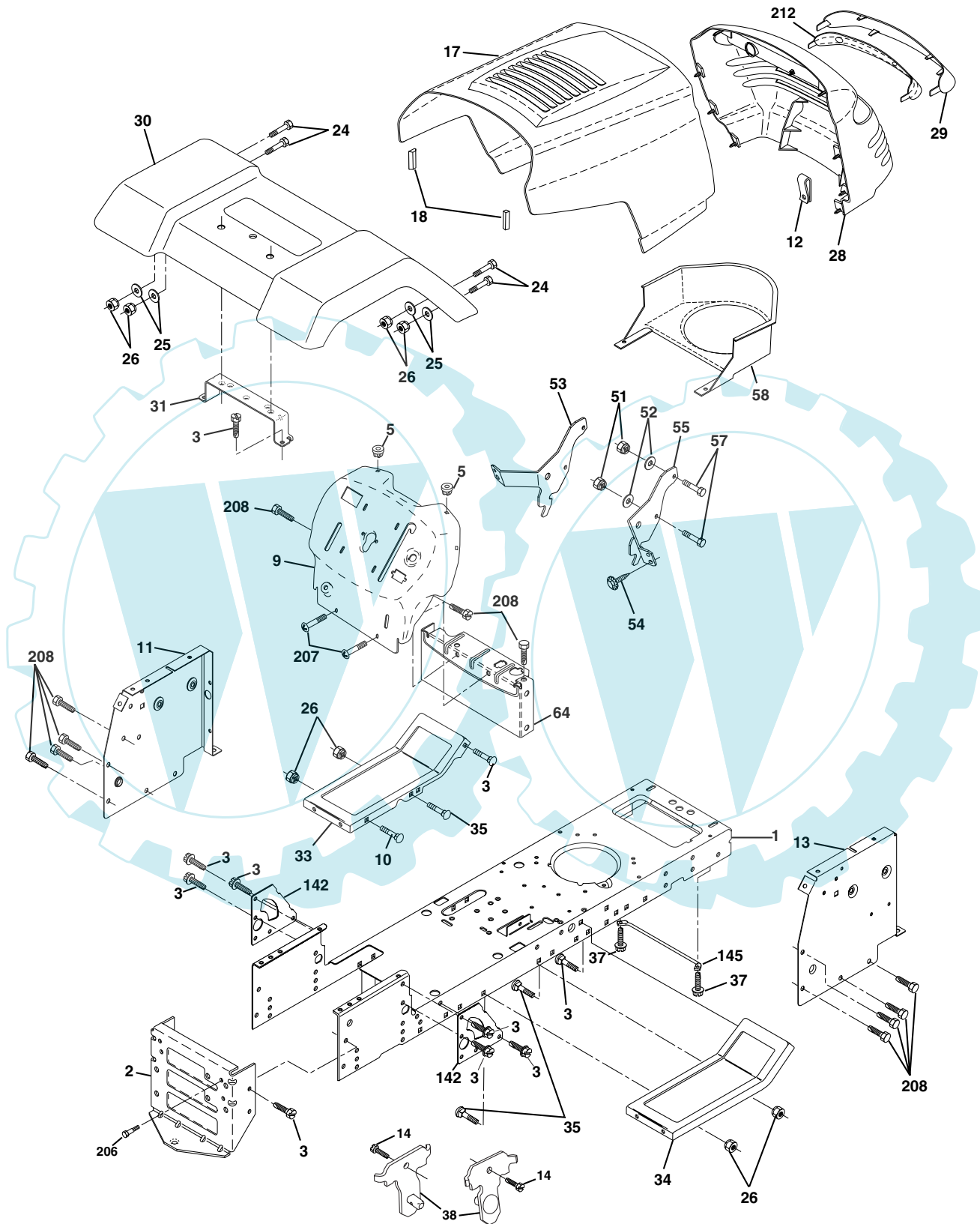


KEY NO.	PART NO.	DESCRIPTION
1	163465	Battery 12 Volt 28 AMP
2	74760412	Bolt Hex Hd 1/4-20 Unc X 3/4
8	176689	Case Battery
16	176138	Switch Interlock Push-In
21	175685	Harness Asm Light w/4152J
22	4152J	Bulb Light #1156
24	4799J	Cable Battery 6 Ga 11" red
25	146147	Cable Battery 6 Ga w/16 wire red
26	175158	Fuse 20 AMP
27	73510400	Nut Keps Hex 1/4-20 Unc
28	4207J	Cable Ground 6 Ga 12" black
29	121305X	Switch Plunger Nc Gray
30	175566	Switch Ign
33	140401	Key Ign
40	179720	Harness Ignition CI Am Hm 97
41	71110408	Bolt Blk Fin Hex 1/4 - 20 x 1/2
42	131563	Cover Terminal Red
43	178861	Solenoid
48	140844	Adapter Ammeter
52	141940	Protection Wire Loop
89	180449	Cover Terminal Battery

NOTE: All component dimensions give in U.S. inches
1 inch = 25.4 mm.

REPAIR PARTS

TRACTOR - - MODEL NO. MAC 1292-AP (MA1236HKA) PRODUCT NO. 964 77 41-00
CHASSIS AND ENCLOSURES



REPAIR PARTS

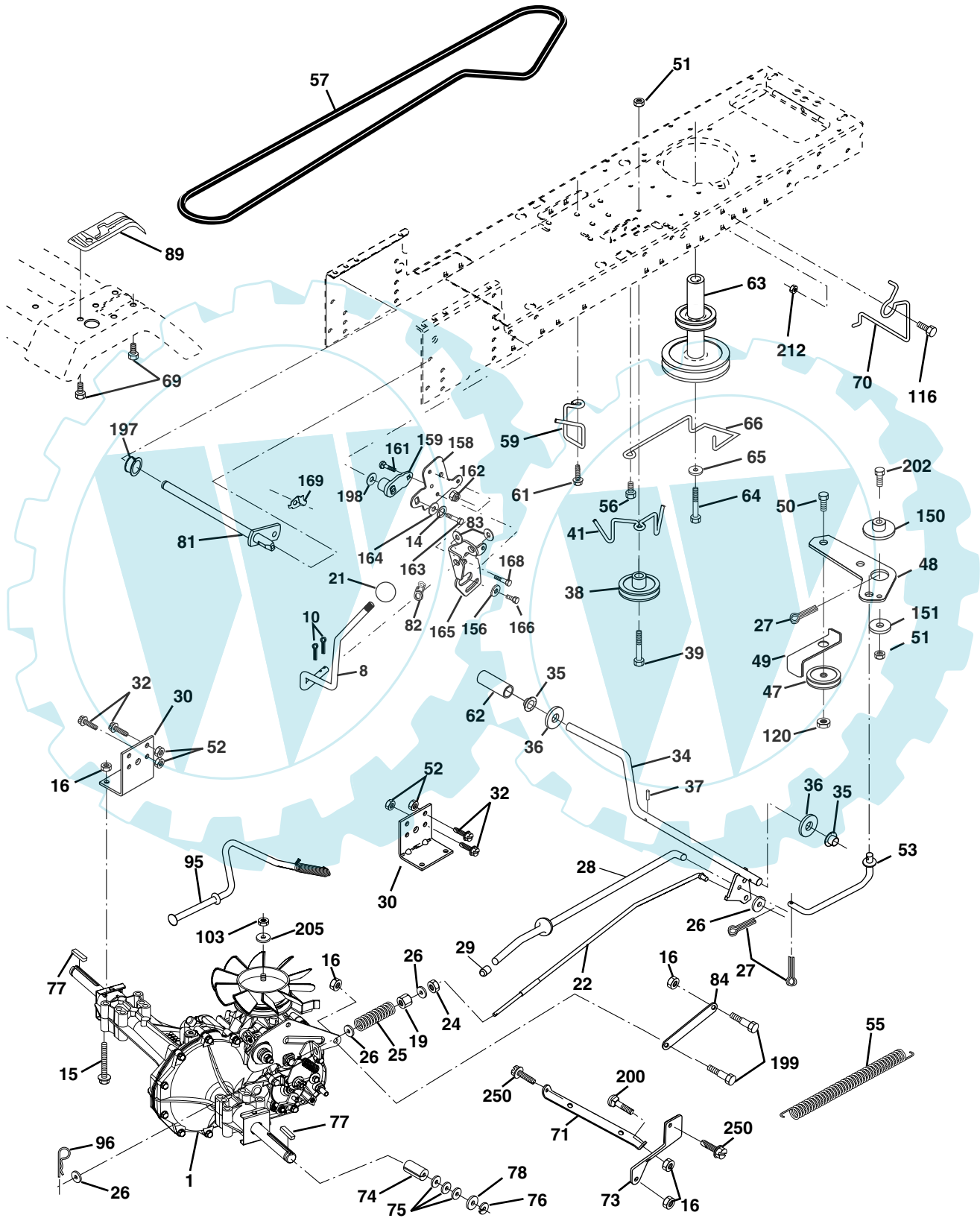
TRACTOR - - MODEL NO. MAC 1292-AP (MA1236HKA) PRODUCT NO. 964 77 41-00
CHASSIS AND ENCLOSURES

KEY NO.	PART NO.	DESCRIPTION
1	174619	Chassis
2	176554	Drawbar
3	17060612	Screw, 3/8-16 x 3/4 SMGML Tap/R
5	155272	BumperHood/Dash
9	168336X010	Dash P/L
10	72140608	Bolt, Rdhd Sqnk 3/8-16 x 1
11	174996	Panel Asm.Dash LH
12	145660	Clip Tinnerman
13	172105X010	Dash, Panel RH
14	17490608	Screw 3/8-16 x 1/2
17	159639X622	Hood Pnt Laser Lt
18	126938X	BumperHood
24	74780616	Bolt, Hex , Fin. 3/8-16UNC x 1 Gr. 5
25	19131312	Washer 13/32 x 13/16 x12 Gauge
26	73800600	Nut Lock Hex w/Ins. 3/8-16 Unc
28	179845	Grille
29	170472X599	Lens Grille
30	169468X622	Fender Pnt
31	136619	Bracket Fender
33	179716X622	Footrest Pnt., LH
34	179717X622	Footrest Pnt., RH
35	72110606	Bolt Rdhd Sht. Sqnk 3/8-16 X 3/4
37	17490508	Screw Thdrol 5/16-18 x 1/2 Tyt
38	175710	Bracket Asm Pivot Mower Rear
51	73800400	Nut Lock 1/4-20 Unc
52	19091416	Washer 9/32 x 7/8 x 16 Ga.
53	144697	Bracket Grille LH
54	161464	Screw Hex 8-18 x 7/8
55	144696	Bracket Grille RH
57	74780412	Bolt Fin Hex 1/4-20 Unc x .75
58	150127	Duct Air Engine
64	154798	Dash Lower
142	175702	Plate Reinforcement
145	156524	Rod Pivot Chassis/Hood
206	170165	Bolt Shoulder 5/16-18
207	17670508	Screw 5/16-18 x 1/2
208	17670608	Screw Thdrol 3/8-16 x 1/2
212	174503	Lens Insert
--	5479J	Plug Btn Blk .359 Dia Ch/Inf

NOTE: All component dimensions given in U.S. inches
 1 inch = 25.4 mm

REPAIR PARTS

TRACTOR - - MODEL NO. MAC 1292-AP (MA1236HKA) PRODUCT NO. 964 77 41-00
DRIVE



REPAIR PARTS

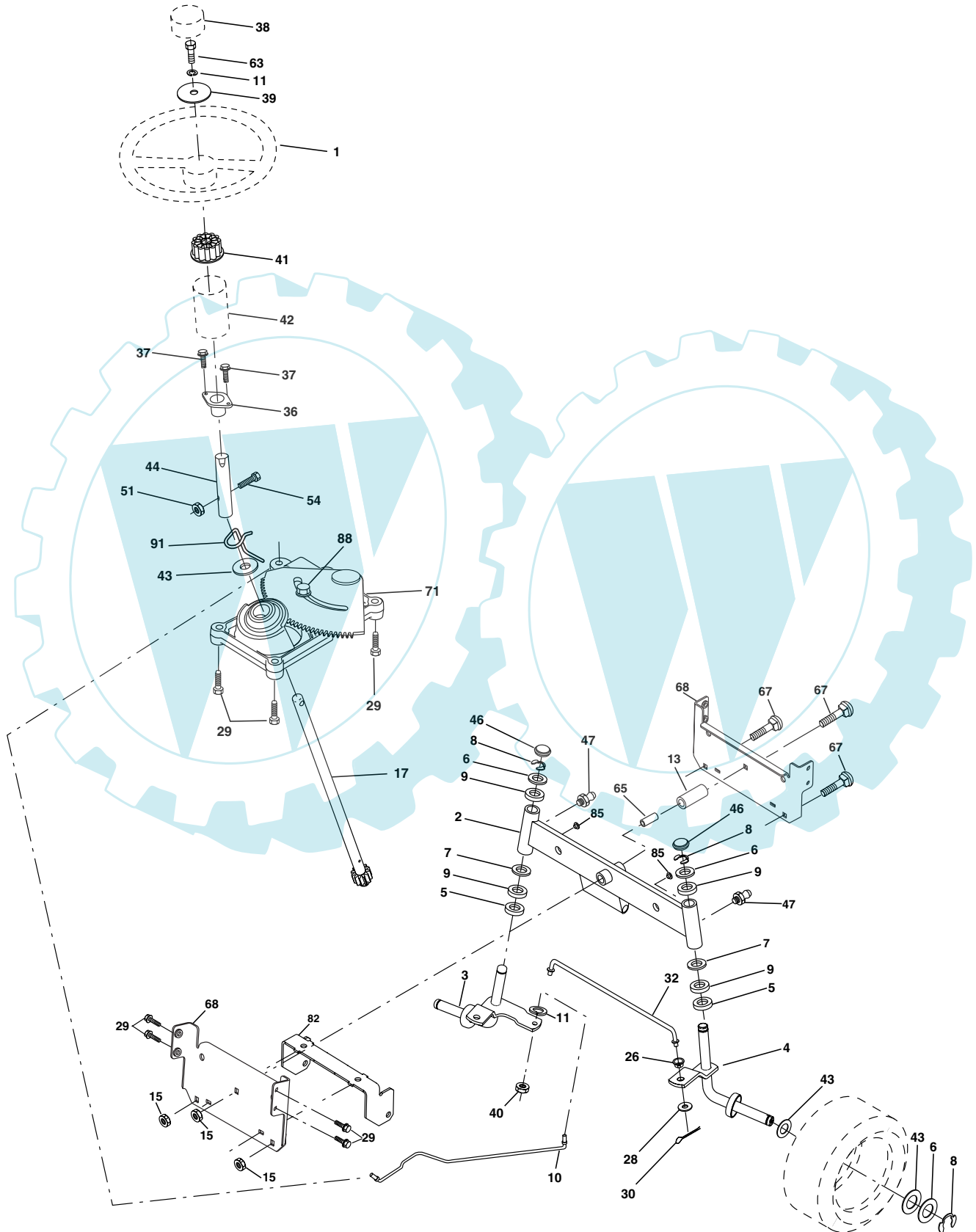
**TRACTOR - - MODEL NO. MAC 1292-AP (MA1236HKA) PRODUCT NO. 964 77 41-00
DRIVE**

KEY NO.	PART NO.	DESCRIPTION	KEY NO.	PART NO.	DESCRIPTION
1	-----	Transaxle Hydro Gear Model 322-0510 (Order parts from the transaxle manufacturer)	69	142432	Screw Hex Wsh Hi-Lo 1/4-1/2 Unc
8	165619	Rod, Shift	70	180218	Guide, Belt, Mower Drive RH
10	76020416	Pin, Cotter 1/8 x 1	71	169183	Strap, Torque, Lh
14	10040400	Washer Lock 1/4	73	169182	Strap, Torque, Rh
15	74490544	Bolt Hex Flghd 5/16-18 Gr. 5	74	137057	Spacer, Axle
16	73800500	Nut, Lock Hex w/Ins 5/16-18 UNC	75	121749X	Washer 25/32 x 1-1/4 x 16 Ga.
19	73800600	Nut, Lock Hex w/Wsh 3/8-16 UNC	76	12000001	Ring, E
21	106933X	Knob Rd. 1/2-13 Plstc. Thds. Blk.	77	123583X	Key, Square
22	169498	Rod, Brake	78	121748X	Washer 25/32 x 1-5/8 x 16 Ga.
24	73350600	Nut	81	165596	Shaft Asm Cross
25	106888X	Spring, Rod, Brake	82	123782X	Spring, Torsion
26	19131316	Washer 13/32 x 13/16 x 16 Ga.	83	19171216	Washer 17/32 x 3/4 x 16 Ga.
27	76020412	Pin, Cotter 1/8 x 3/4	84	169843	Link Transaxle
28	175765	Rod, Parking Brake	89	169373X428	Console, Shift
29	71673	Cap, Parking Brake	95	170201	Control Asm Bypass Hydro
30	174973	Bracket, Transmission	96	4497H	Spring, Retainer 1"
32	74760512	Bolt Hex 5/16-18 UNC x 3/4	103	73940800	Nut Hex Jam Toplock 1/2-20
34	175578	Shaft, Foot Pedal	116	72140608	bolt Rdhd 3/8-16 x 1
35	120183X	Bearing, Nylon	120	73900600	Nut Lock 3/8-16
36	19211616	Washer	150	175456	Spacer Retainer
37	1572H	Pin, Roll	151	19133210	Washer 13/32 x 2 x 10
38	179114	Pulley, Idler, Flat Composite	156	166002	Washer 5/16 x 1.0 x 1.25
39	74760648	Bolt	158	165589	Bracket Shift Mount
41	175556	Keeper, Belt, Idler	159	165494	Hub Tapered Flange Shift
47	127783	Pulley, Idler, V-Belt	161	72140406	Bolt Rdhd Sqnk 1/4-20 x 3/4 Gr. 5
48	154407	Bellcrank Clutch Grnd Drustl	162	73680400	Nut Crownlock 1/4-20 Unc
49	123205X	Retainer, Belt	163	74780416	Bolt Hex Fin 1/4-20 x 1
50	74760624	Bolt	164	19091010	Washer 5/8 x .281 x 10 Ga.
51	73680600	Nut	165	165623	Bracket Pivot Lever
52	73680500	Nut Crownlock 5/16-28	166	166880	Screw 5/16 x 1.0 x .125
53	105710X	Link, Clutch	168	165492	Bolt Shoulder 5/16-18 x .561
55	105709X	Spring, Return, Clutch	169	165580	Plate Fastener Cross Shaft
56	17060620	Screw 3/8-16 x 1	197	169613	Nyliner Snap-in 5/8" ID
57	140294	V-Belt, Drive	198	169593	Washer Nyl 7/8ID x .105"HYD
59	169691	Keeper, Belt, Center	199	169612	Bolt Shoulder 5/16-18 Unc
61	17120614	Screw, 3/8-16 x 3/4	200	72140508	Bolt Rdhd Sqnk 5/16-18 Unc x 1
62	8883R	Cover, Pedal	202	72110614	Bolt Car SH 3/8-16 x 1-3/4 Gr 5
63	180219	Pulley, Engine	205	19171616	Washer 17/32 x 1 x 16 Ga.
64	71170764	Bolt Hex 7/16 x 4 Gr. 5	212	145212	Nut Hex Flange Lock
65	10040700	Washer	250	17060612	Screw 3/8-16 x 75 Smgml Tap R
66	154778	Keeper, Belt Engine Hydro			

NOTE: All component dimensions give in U.S. inches.
1 inch = 25.4 mm.

REPAIR PARTS

TRACTOR - - MODEL NO. MAC 1292-AP (MA1236HKA) PRODUCT NO. 964 77 41-00
STEERING WHEEL



REPAIR PARTS

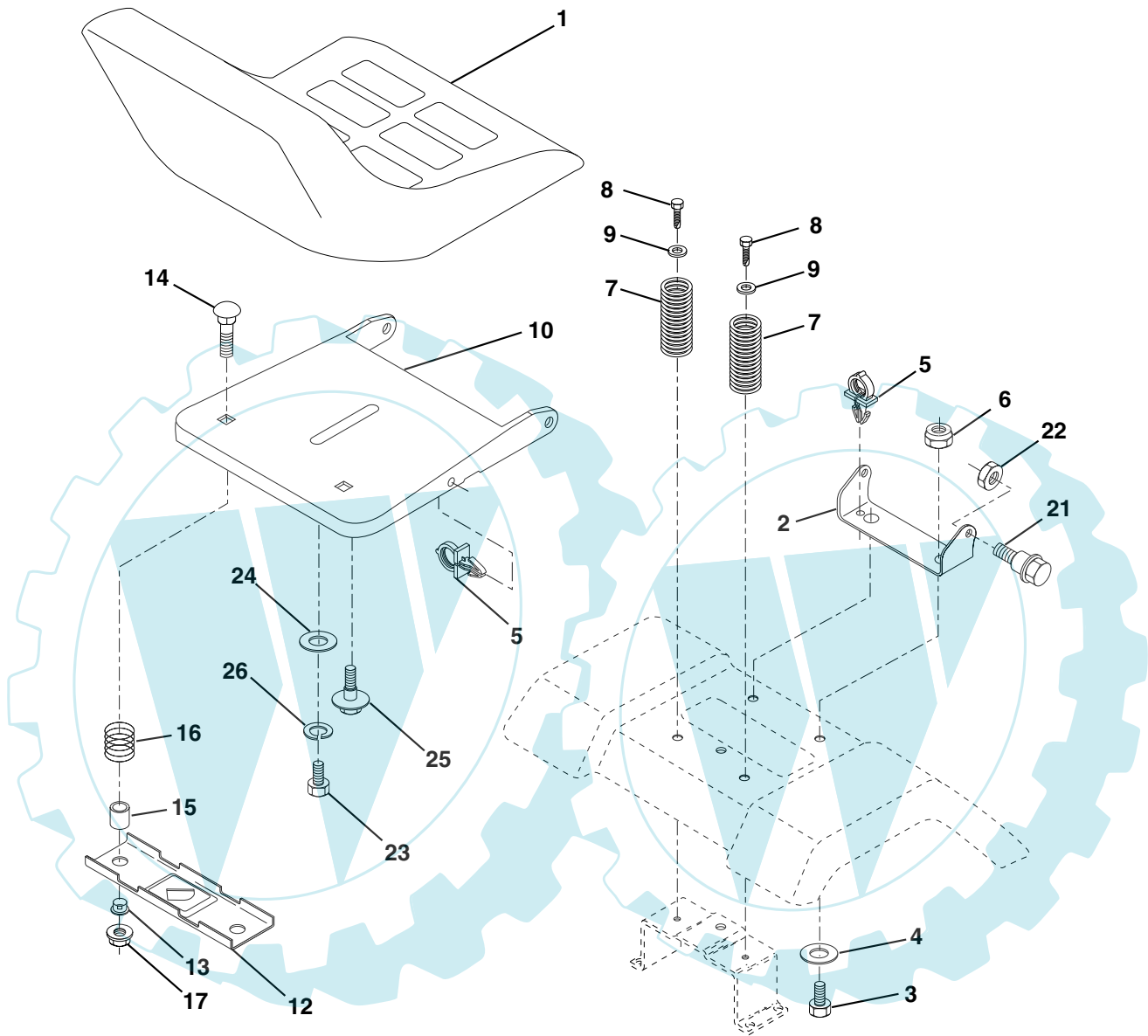
TRACTOR - - MODEL NO. MAC 1292-AP (MA1236HKA) PRODUCT NO. 964 77 41-00
STEERING WHEEL

KEY NO.	PART NO.	DESCRIPTION
1	140044X428	Wheel Steering
2	175131	Axle Asm Front
3	169840	Spindle Asm LH
4	169839	Spindle Asm RH
5	6266H	Bearing, Race, Thrust Hardened
6	121748X	Washer 25/32 X 1-5/8 X 16 Ga
7	19272016	Washer 27/32 X 1-1/4 X 16 Ga
8	12000029	Ring Klip
9	3366R	Bearing
10	175121	Link Drag
11	10040600	Washer Lock Hvy Hlcl Spr 3/8
13	136518	Spacer Brg. Axle Front
15	145212	Nut Hexflange Lock
17	177876	Steering, Assembly Shaft
26	126847X	Bushing Link Drag Blk Lr
28	19131416	Washer 13/32 x 7/8 x 16 Ga.
29	17060612	Screw 3/8-16x3/4 SMGML Tap/R
30	76020412	Pin Cotter 1/8 x 3/4 CAD
32	130465	Rod Connecting
36	155099	Bushing Steering
37	152927	Screw TT #10-32 X 5 x 3/8 Flange
38	140045X428	Cap Wheel Steering
39	19133812	Washer 13/32 x 2-3/8 x 12 Ga
40	7810H	Nut Lock Center 3/8-24 Unf
41	100711L	Adapter Wheel Strg
42	145054X428	Boot Steering
43	121749X	Washer 25/32 X 1 1/4 X 16 Ga
44	153720	Extension Steering
46	121232X	Cap Spindle
47	6855M	Fitting Grease
51	73800500	Nut Lock Hex W/Ins. 5/16-18 Unc P
54	74780520	Bolt Fin Hex 5/16-18 Unc 6 x 1-1/4
63	74780616	Bolt Fin Hex 3/8-16unc x 1 Gr. 5
65	160367	Spacer Brace Axle
67	72140618	Bolt RDHD SQ 3/8-16UNC x 2-1/4
68	169827	Brace Axle
71	175146	Steering Asm.
82	169835	Bracket Susp. Chassis Front
85	133835	Fastener Christmas Tree
88	175118	Bolt Shoulder
91	175553	Clip Steering

NOTE: All component dimensions given in U.S. inches
 1 inch = 25.4 mm

REPAIR PARTS

TRACTOR - - MODEL NO. MAC 1292-AP (MA1236HKA) PRODUCT NO. 964 77 41-00
SEAT



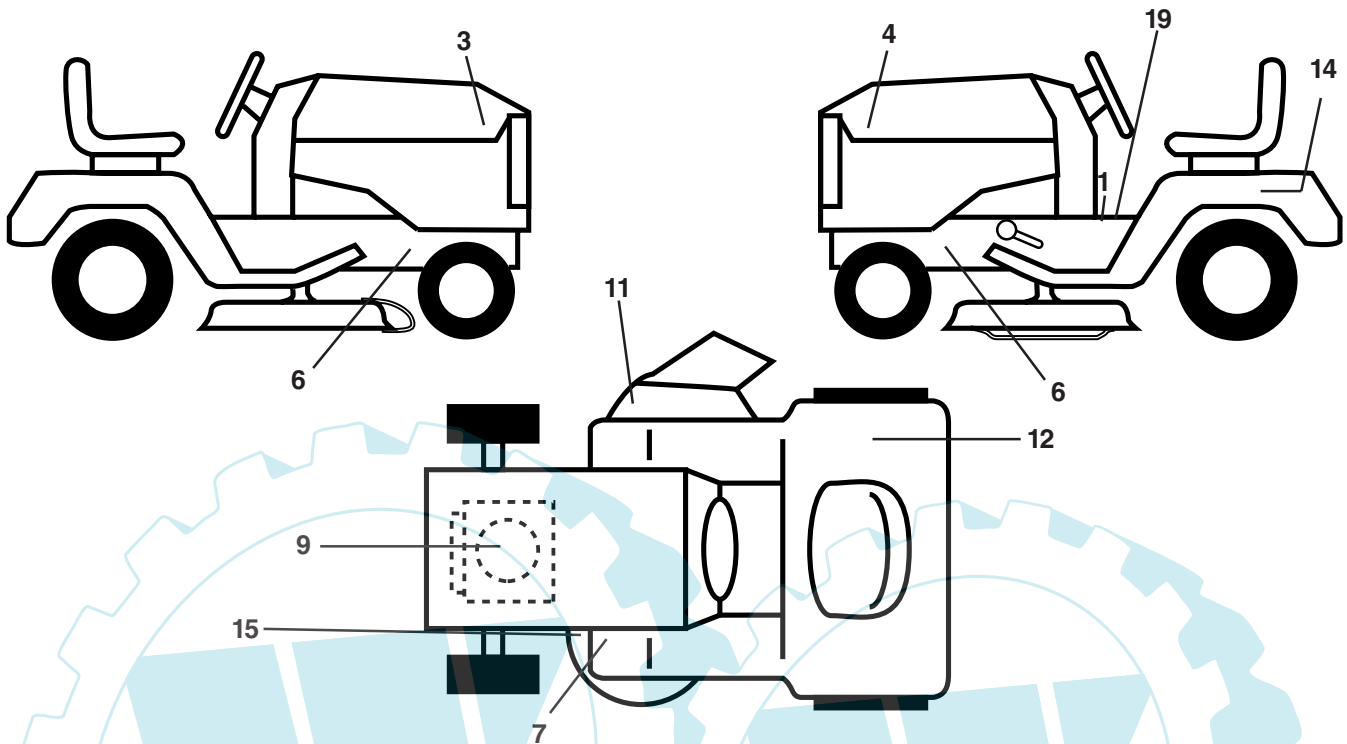
KEY NO.	PART NO.	DESCRIPTION
1	127427	Seat
2	140551	Bracket, Pivot, Seat
3	71110616	Fin Hex 3/8-16unc x 1
4	19131610	Washer 13/32 x 1 x 10 Ga.
5	145006	Clip, Push-in
6	73800600	Nut
7	124181X	Spring, Seat
8	17000616	Screw, 3/8-16 x 1.5 SMGML Tap/R
9	19131614	Washer 13/32 x 1 x 14 Ga.
10	174894	Pan, Seat
12	121246X	Bracket, Mounting, Switch, Seat
13	121248X	Bushing, Nylon

KEY NO.	PART NO.	DESCRIPTION
14	72050412	Nut, Crownlock 1/4-20 x 1-3/8
15	134300	Spacer, Split
16	121250X	Spring
17	123976X	Nut, Lock, Flange 1/4 Gr. 5
21	171852	Bolt, Shoulder 5/16-18 UNC-2A
22	73800500	Nut
23	71110814	Bolt Hex
24	19171912	Washer 17/32 x 1-3/16 x 12 Ga.
25	127018X	Bolt Shoulder 5/16-18 x .62
26	10040800	Washer Lock Hvy Hclcl Spr 1/2

NOTE: All component dimensions given in U.S. inches
1 inch = 25.4 mm

REPAIR PARTS

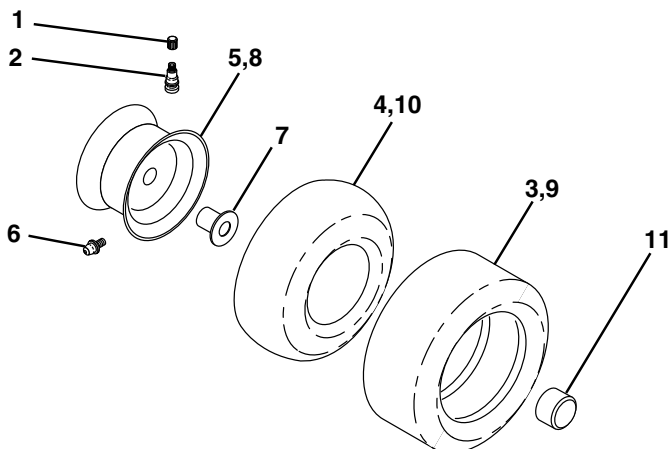
TRACTOR - - MODEL NO. MAC 1292-AP (MA1236HKA) PRODUCT NO. 964 77 41-00
DECALS



KEY NO.	PART NO.	DESCRIPTION
1	145498	Decal, Instruction, Operation
3	181828	Decal, Hood RH
4	181829	Decal, Hood LH
6	159736	Decal, Chassis Hot Muffler
7	159737	Decal, Brake/Clutch Symbol LT
9	170832	Decal, HP Engine
11	145494	Decal, Mower Cutting Symbol
12	180432	Decal 100 DBA
14	145005	Decal, Btry Dngr/Psn P/L Sym

KEY NO.	PART NO.	DESCRIPTION
15	136832	Decal, V-Belt
19	140837	Decal, Parking Brake
--	138311	Decal, Handle, Lift, Height Adjust (Lift Handle)
--	162598	Decal, Drawbar Load Limit
--	169210	Decal, By-Pass
--	181996	Manual, (Euro) Operator's
--	181997	Manual, (Scan) Operator's

TIRES AND WHEELS



KEY NO.	PART NO.	DESCRIPTION
1	59192	Cap, Valve
2	65139	Stem, Valve
3	106222X	Tire Front
4	59904	Tube, Front (not furnished)
5	106732X421	Rim, Asm. Front
6	278H	Grease Fitting (rear tire only)
7	9040H	Bearing, Flange (front tire only)
8	106108X421	Rim, Asm. Rear
9	106268X	Tire, Rear
10	7152J	Tube, Rear (not furnished)
11	104757X428	Cap, Axle
--	144334	Sealant, Tire (10 oz. Tube)

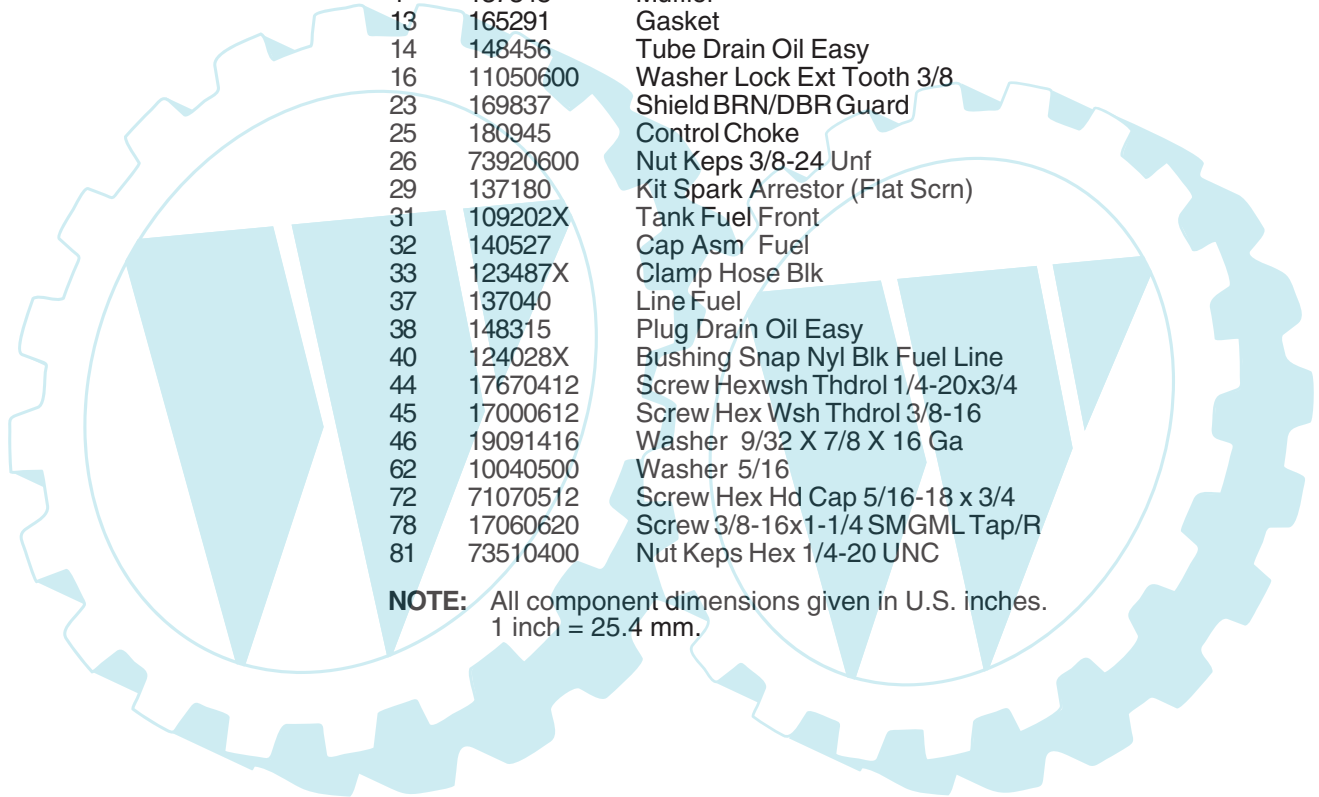
NOTE: All component dimensions given in U.S. inches
1 inch = 25.4 mm

REPAIR PARTS

TRACTOR - - MODEL NO. MAC 1292-AP (MA1236HKA) PRODUCT NO. 964 77 41-00
ENGINE

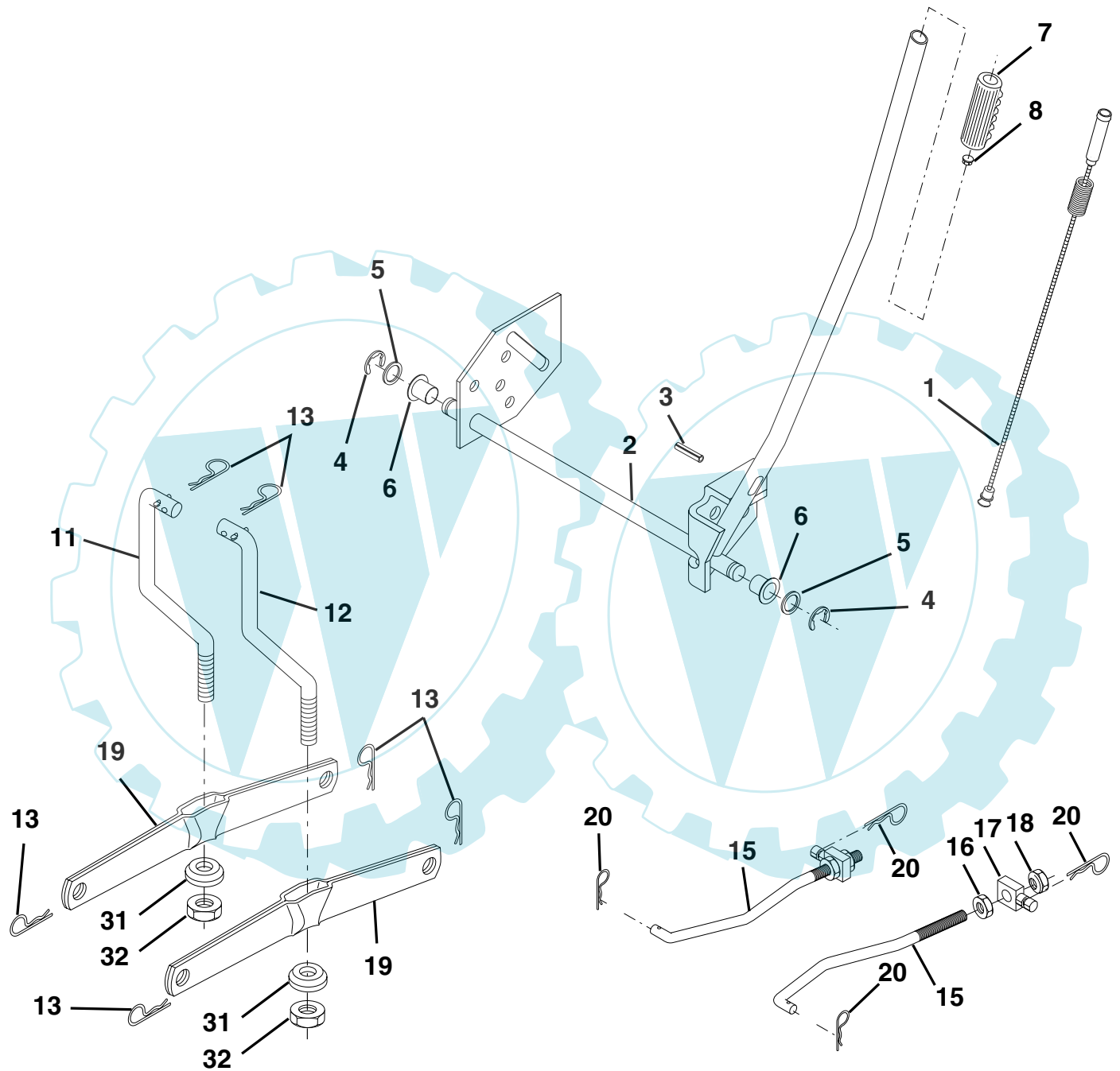
KEY NO.	PART NO.	DESCRIPTION
1	170551	Control Th/ch
2	17720408	Screw Hex Thd Cut 1/4-20x5/8 T
3	-----	Engine, B&S, 289707 Order parts from engine manufacturer
4	137348	Muffler
13	165291	Gasket
14	148456	Tube Drain Oil Easy
16	11050600	Washer Lock Ext Tooth 3/8
23	169837	Shield BRN/DBR Guard
25	180945	Control Choke
26	73920600	Nut Keps 3/8-24 Unf
29	137180	Kit Spark Arrestor (Flat Scrn)
31	109202X	Tank Fuel Front
32	140527	Cap Asm Fuel
33	123487X	Clamp Hose Blk
37	137040	Line Fuel
38	148315	Plug Drain Oil Easy
40	124028X	Bushing Snap Nyl Blk Fuel Line
44	17670412	Screw Hexwsh Thdrol 1/4-20x3/4
45	17000612	Screw Hex Wsh Thdrol 3/8-16
46	19091416	Washer 9/32 X 7/8 X 16 Ga
62	10040500	Washer 5/16
72	71070512	Screw Hex Hd Cap 5/16-18 x 3/4
78	17060620	Screw 3/8-16x1-1/4 SMGML Tap/R
81	73510400	Nut Keps Hex 1/4-20 UNC

NOTE: All component dimensions given in U.S. inches.
1 inch = 25.4 mm.



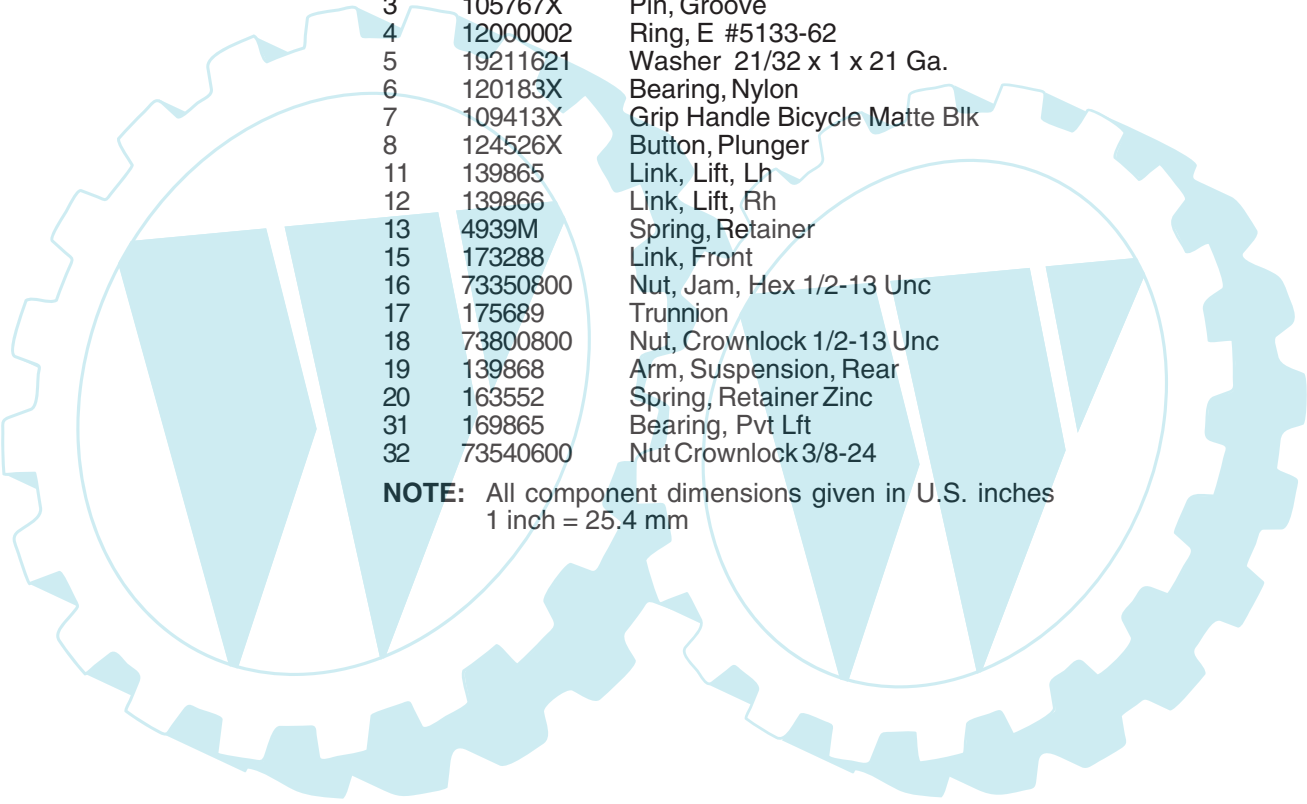
REPAIR PARTS

TRACTOR - - MODEL NO. MAC 1292-AP (MA1236HKA) PRODUCT NO. 964 77 41-00
MOWER LIFT



REPAIR PARTS

TRACTOR - - MODEL NO. MAC 1292-AP (MA1236HKA) PRODUCT NO. 964 77 41-00
MOWER LIFT

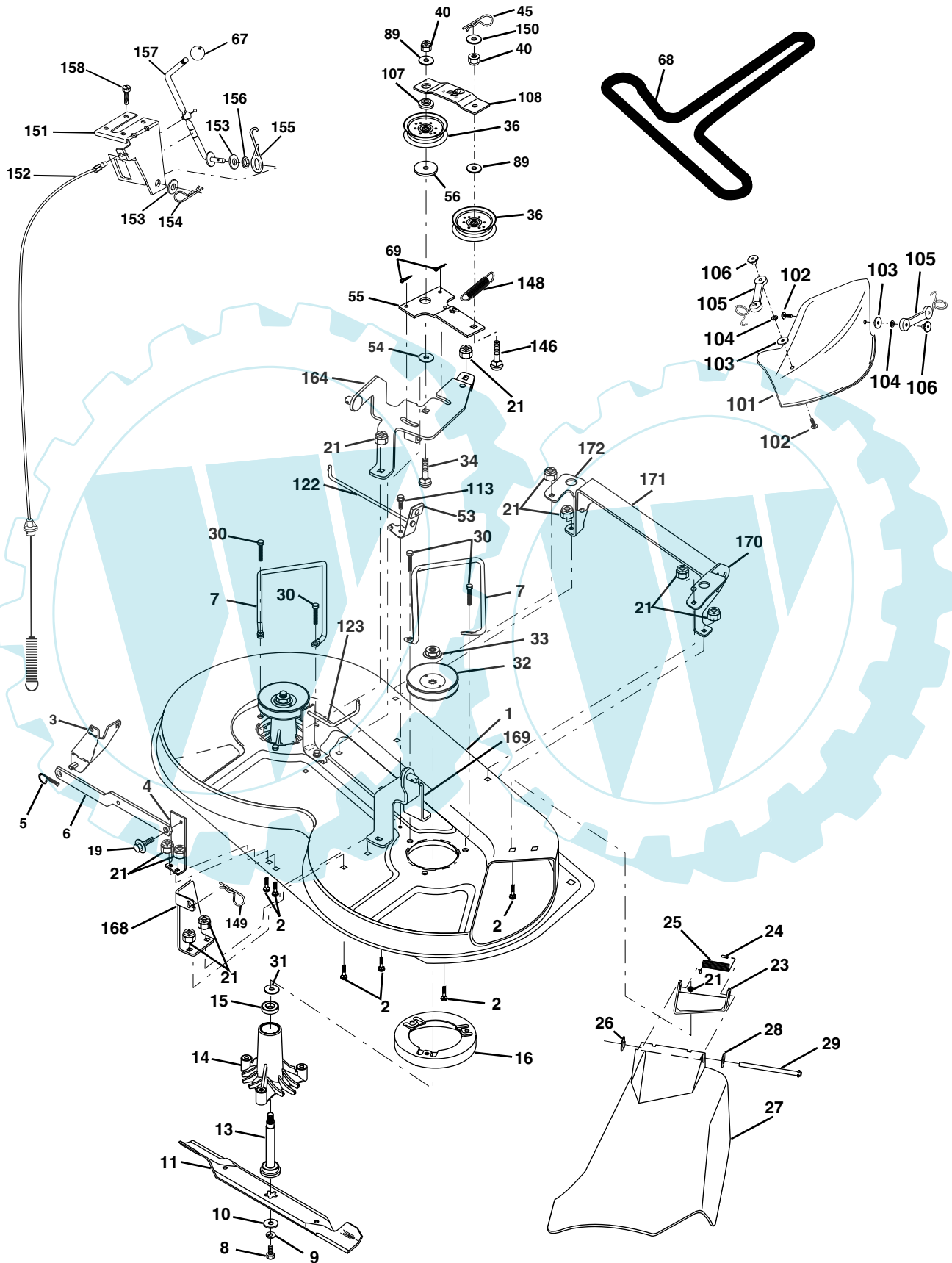


KEY NO.	PART NO.	DESCRIPTION
1	159460	Wire Asm. Inner/Sprg w/Plunger
2	159471	Shaft, Asm., Lift R/H
3	105767X	Pin, Groove
4	12000002	Ring, E #5133-62
5	19211621	Washer 21/32 x 1 x 21 Ga.
6	120183X	Bearing, Nylon
7	109413X	Grip Handle Bicycle Matte Blk
8	124526X	Button, Plunger
11	139865	Link, Lift, Lh
12	139866	Link, Lift, Rh
13	4939M	Spring, Retainer
15	173288	Link, Front
16	73350800	Nut, Jam, Hex 1/2-13 Unc
17	175689	Trunnion
18	73800800	Nut, Crownlock 1/2-13 Unc
19	139868	Arm, Suspension, Rear
20	163552	Spring, Retainer Zinc
31	169865	Bearing, Pvt Lft
32	73540600	Nut Crownlock 3/8-24

NOTE: All component dimensions given in U.S. inches
1 inch = 25.4 mm

REPAIR PARTS

TRACTOR - - MODEL NO. MAC 1292-AP (MA1236HKA) PRODUCT NO. 964 77 41-00
MOWER DECK



REPAIR PARTS

TRACTOR - - MODEL NO. MAC 1292-AP (MA1236HKA) PRODUCT NO. 964 77 41-00
MOWER DECK

KEY NO.	PART NO.	DESCRIPTION	KEY NO.	PART NO.	DESCRIPTION
1	174595	Mower Deck Assembly	69	76020312	Pin, Cotter 3/32 x 3/4
2	72140506	Bolt	89	19131612	Washer 13/32 x 1 x 12 Ga
3	138017	Bracket Assembly, Sway Bar	101	140102	Cover Mulching 36"
4	175654	Bracket Sway Bar	102	71081010	Screw Pan 10-24 x 5/8
5	4939M	Retainer Spring	103	19061216	Washer #10
6	178024	Bar, Sway Deck	104	10071000	Washer Lock #10
7	140608	Keeper Belt	105	160793	Latch Asm Mulch/Bagger
8	850857	Bolt, Hex 3/8-24 x 1.25 Gr. 8	106	2029J	Nut Weld
9	10030600	Washer, Lock Hvy Hlcl 3/8	107	133502	Spacer, Retainer
10	140296	Washer, Hardened	108	133503	Stiffener, Idler Arm
11	138496	Blade, Mower	113	17490508	Screw Thdrol 5/16-18 x 1/2
13	137645	Shaft Assembly, Mandrel, Vented	122	174505	Rod, Brake, LH
14	128774	Housing, Mandrel, Vented	123	174504	Rod, Brake, RH
15	110485X	Bearing, Ball, Mandrel	146	165891	Bolt Carriage Idler
16	174493	Stripper, Vented Mower Deck	148	169022	Spring Return Idler
19	132827	Bolt, Shoulder	149	165898	Retainer Spring Yellow Zinc
21	73680500	Nut Crownlock 5/16-18	150	19091216	Washer 9/32 x 3/4 x 16 Ga.
23	136631	Bracket, Mower Deflector	151	169670	Bracket Clutch
24	105304X	Cap, Sleeve	152	176079	Cable Clutch
25	123713X	Spring, Torsion, Deflector	153	169674	Washer Flat 3/8" Type B
26	110452X	Nut, Push	154	169675	Spring Retainer
27	175029X428	Shield, Deflector	155	169671	Spring Retention Lever
28	19111016	Washer 11/32 x 5/8 x 16 Ga.	156	169672	Spacer
29	121980X	Rod, Hinge	157	169669	Rod Clutch
30	173984	Screw Thdrol Washer Head	158	17720408	Screw Hex Thd Cut 1/4-20x5/8
31	129963	Washer, Spacer	164	174976	Bracket Asm Idler Support
32	153531	Pulley, Mandrel	168	172377	Bracket Deck Cable
33	178342	Nut, Toplock, Flanged	169	174977	Bracket Asm Suspension
34	72110614	Bolt Rdhd 3/8-16 x 1-3/4	170	172359	Bracket Suspension RF
36	131494	Pulley, Idler, Flat	171	165237	Bracket Support Suspension Frt
40	73680600	Nut Crownlock 3/8-16	172	172355	Bracket Suspension LF
45	4497H	Retainer, Spring	--	130794	Mandrel Assembly (Includes Housing, Shaft and Shaft Hardware Only - Pulley Not Included)
53	130840	Brake Assembly	--	181376	Replacement Mower, Complete
54	133943	Washer, Hardened			
55	133840	Idler Arm Assembly			
56	165723	Spacer, Retainer			
67	106932X	Knob RD 3/8-16 Plstc Thd			
68	180213	Belt			

NOTE: All component dimensions given in U.S. inches
 1 inch = 25.4 mm