

MP341

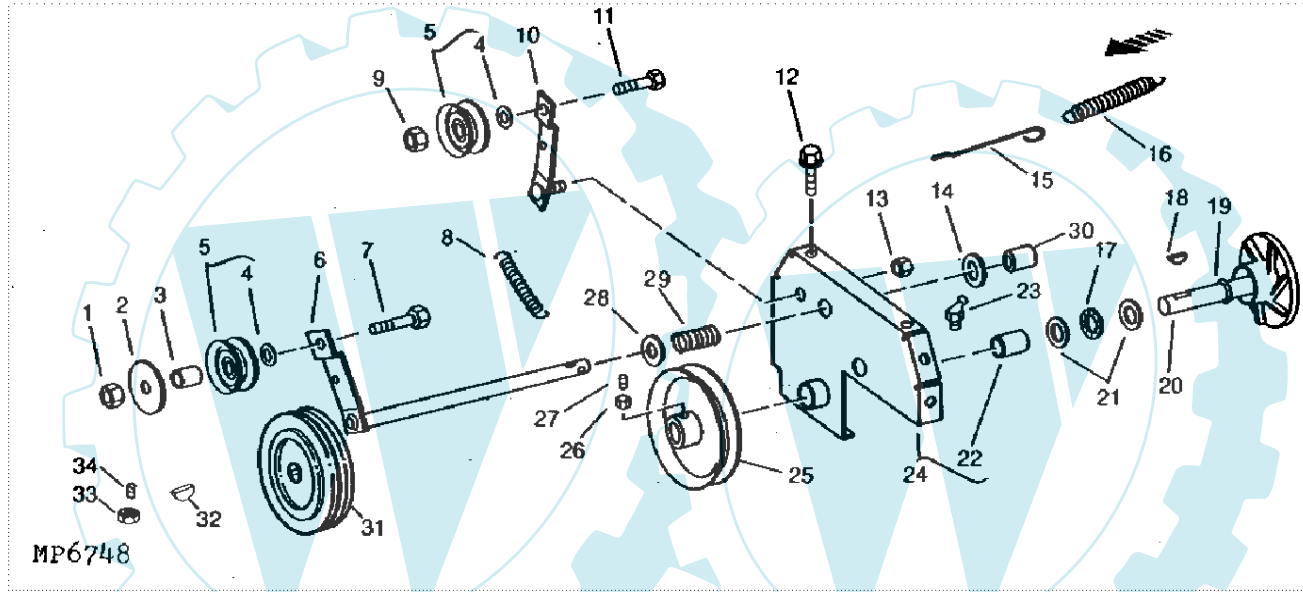
**Teileliste**

PC1250 21 1032, 526, 726, 732, 826 and 832 Snow Blowers / TRACTION WHEEL AND TRACTION WHEEL PIVOT ROD (S.N. 120001- ) [B02] PC1250 - HORICON

TEIL	STCK.NR.	BEZEICHNUNG	STCK	SERIEN-NR.	BEMERKUNGEN
1	14H849	MUTTER	1		7/16"
2	M92002	DRUCKSCHEIBE	1		(SUB FOR M40634)
3	M114485	ANTRIEBSSCHEIBE	1		(DISC ASSEMBLY - FRICTION DRIVE) (SUB FOR M45190 AND AM38356)
4	M46991	PLATTE	1		
5	M46482	BUECHSE	2		
6	AM38109	KONSOLE	1		DISC BRACKET WITH BEARINGS
7	AM108354	STANGE	1		(ERSATZ FUER AM37282)
8	11H235	SPLINT	2		1/8" X 1/2"
9	.....	GLIEDERKETTE	1		(MAKE FROM (2) P28536 AND (30) AP22458) TYPE 41, 32 LINKS
10	26H70	KEIL	1		1/8" X 1/2"
11	AM34409	WELLE	1		
12	M83145	BUECHSE	2		

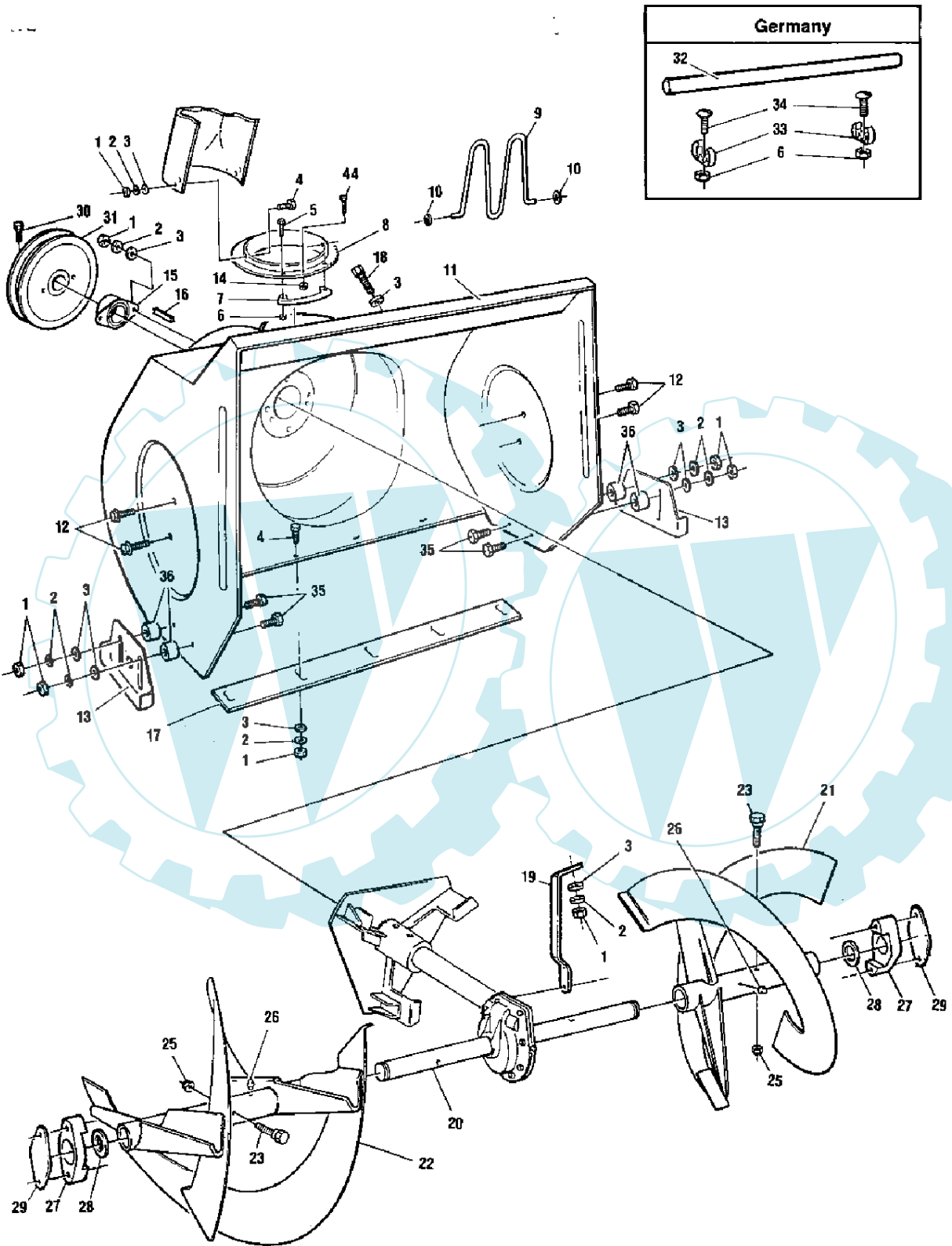
Ihr Ersatzteilspezialist im Internet!

PC1250 - HORICON



Ihr Ersatzteilspezialist im Internet!

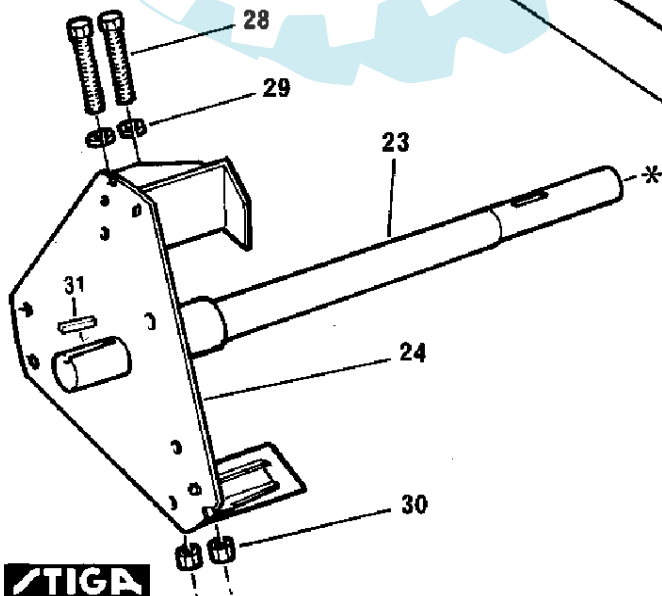
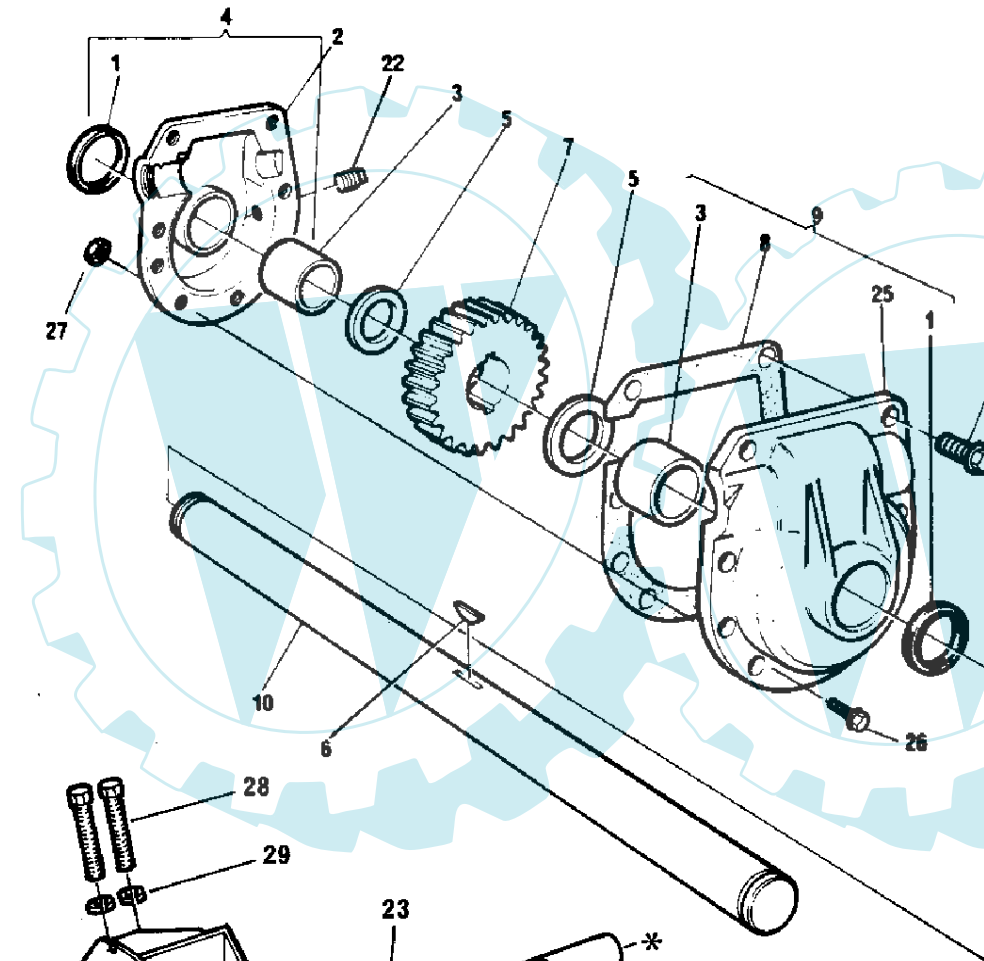
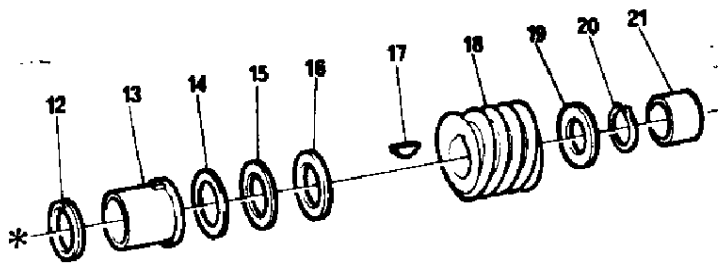
TEIL	STCK.NR.	BEZEICHNUNG	STCK	SERIEN-NR.	BEMERKUNGEN
1	E50102	SICHERUNGSMUTTER	1		
2	24H1335	UNTERLEGSCHIEBE	1		15/32" X 2-1/2" X 0.105"
3	M40129	DISTANZSTUECK	1		(SUB FOR M49035)
4	24H1864	UNTERLEGSCHIEBE	2		13/32" X 3/4" X 7/64"
5	AM37315	SPANNROLLE	2		(SUB FOR AM33257)
6	AM34411	STANGE	1	_____ - 120000	(NLA)
6	AM108355	STANGE	1	120001- _____	(SUB FOR AM38126)
7	19H1801	SECHSKANTSCHRAUBE	1		3/8" X 2"
8	S918M	FEDER	1		
9	14H732	MUTTER	1		3/8"
10	AM37012	ARM	1		(SUB FOR AM33256)
11	19H1731	SECHSKANTSCHRAUBE	1		3/8" X 1"
12	37H57	SCHRAUBE	7		5/16" X 3/4"
13	T16464	SICHERUNGSMUTTER	1		5/16"
14	24H1325	UNTERLEGSCHIEBE	1	_____ - 095000	15/32" X 59/64" X 0.065"
14	24H1682	UNTERLEGSCHIEBE	1	095001- _____	13/32" X 7/8" X 0.120"
15	M45825	VERBINDUNGSGLIED	1		
16	M75239	FEDER	1		(SUB FOR S337M, THIS APPLICATION) (TRACTION RETURN)
17	JD8842	DRUCKLAGER	1		
18	26H74	KEIL	1		3/16" X 5/8"
19	AN50079	DICHTRING	1		
20	AM33254	PLATTE	1		
21	JD9857	LAGERLAUFRING	2		
22	M44069	BUECHSE	2		
23	JD7846	SCHMIERNIPPEL	1		
24	AM33123	PLATTE	1		
25	M45189	RIEMENSCHIEBE	1		TRACTION
26	14H785	MUTTER	1		5/16"
27	22H818	STELLSCHRAUBE	1		5/16" X 3/4"
28	24H1308	UNTERLEGSCHIEBE	1		13/32" X 1" X 0.134"
29	M47618	DRUCKFEDER	1		
30	28H2481	DISTANZSTUECK	1		0.423" X 0.675" X 1/2"
31	AM105653	RIEMENSCHIEBE	1		AUGER, (SUB FOR AM33141 AND AM103651)
32	26H26	KEIL	1		1/4" X 1-1/8"
33	14H785	MUTTER	1		5/16"
34	22H818	STELLSCHRAUBE	1		5/16" X 3/4"



Ihr Ersatzteilspezialist im Internet!

Section: 828, 1232 AUGER ASSY

Pos.	Quantity	Spare part No	Description	Kit	Notes	New
	1817	1822				
1	14	14	9795-3631-02		Nut	
2	14	14	9683-0030-02		Lock washer	
3	14	14	9699-0028-02		Flat washer	
4	7	7	9899-3622-16		Screw	
5	6	6	1812-0388-01		Screw	
6	6	6	1812-0389-01		Locking nut	
7	3	3	1812-0423-01		Holder	
8	1	1	1812-0255-01		Flange	
9	1	1	1812-0231-01		Chute protection	
10	2	2	1812-1143-01		Push nut	
11	1		1812-0551-01		Auger housing	
11		1	1812-0552-01		Augerhousing	
12	4	4	1812-0387-01		Screw	
13	2	2	1812-0831-01		Height adjustor	
14	1	1	9743-3521-32		Nut	
15	1	1	1812-0883-01		Bearing	
16	1	1	1812-0626-01		Key	
17		1	1812-0419-01		Scraper bar	
17	1		1812-0206-01		Scraper bar	
18	1	1	9988-3625-16		Screw	
19	1	1	1812-0663-01		Gear box brace	
20		1	1812-0239-01		Gear box assy	
20	1		1812-0243-01		Gear box assy	
21		1	1812-0650-01		Auger-L.H.	
21	1		1812-0654-01		Auger-L.H.	
22		1	1812-0651-01		Auger-R.H.	
22	1		1812-0655-01		Auger-R.H.	
23	1	1	1812-9006-01		Shear bolt kit	
26	2	2	1812-0274-01		Grease fitting	
27	2	2	1812-0347-01		Bearing	
28	2	2	1812-0301-01		Spacer	
29	2	2	1812-0640-01		Spacer	
30	2	2	9988-3619-16		Screw	
31	1	1	1812-0308-01		Pulley	8.4"
32	1	1	1812-0315-01		Clean out stick	Tyskland
33	2	2	1812-0316-01		Clamp	
34	2	2	1812-0728-01		Bolt	
35	4	4	9899-3632-12		Screw	
36	4	4	1812-0730-01		Spacer	
44	1	1	9988-3525-16		Screw	



Section: 828, 1232 AUGER GEAR BOX

Pos.	Quantity	Spare part No	Description	Kit	Notes	New
------	----------	---------------	-------------	-----	-------	-----

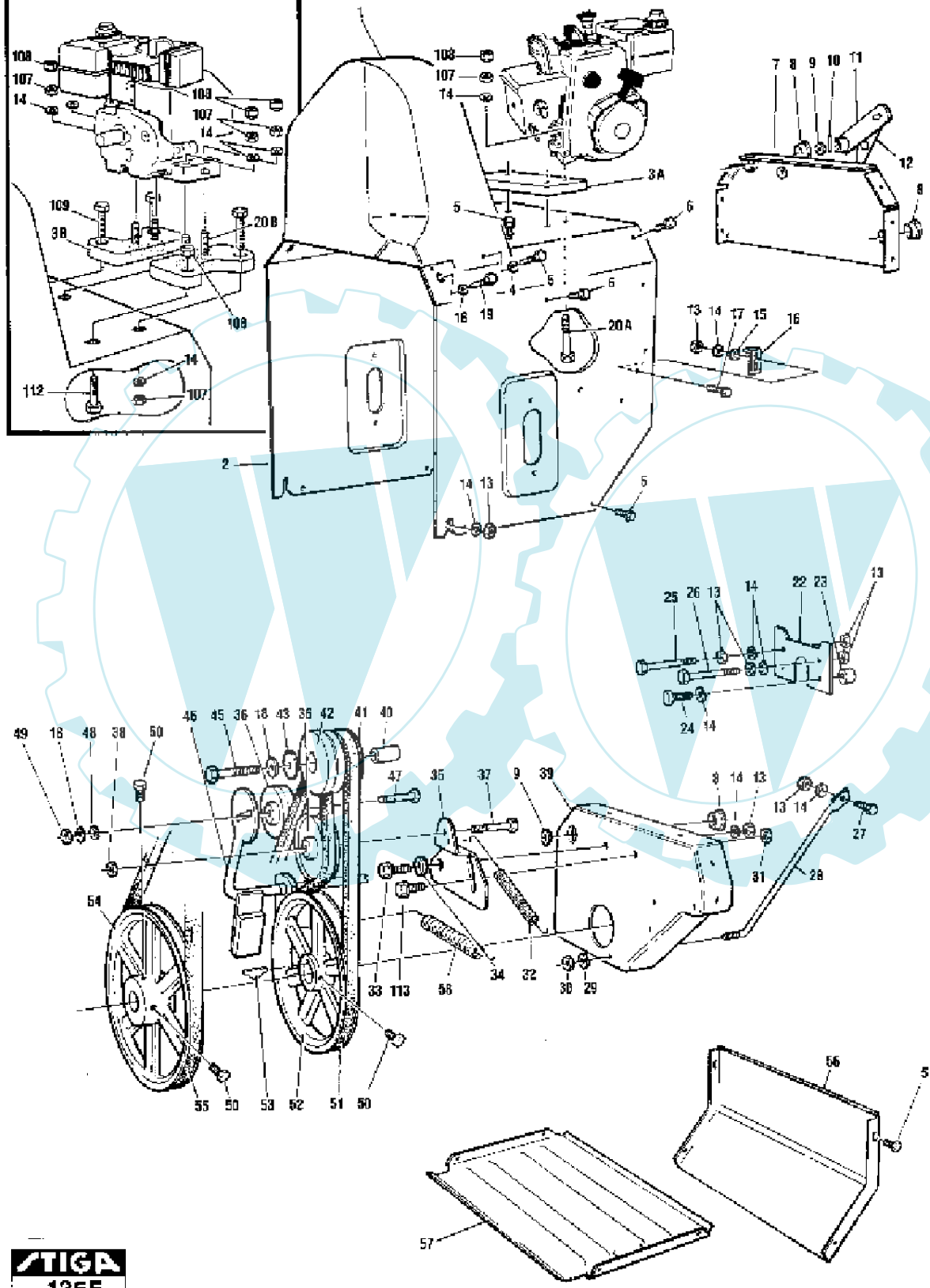
1817 1822

0	1	1812-0243-01	Gear box assy			
0	1	1812-0239-01	Gear box assy			
1	2	1812-0344-01	..Ring			
2	1	1812-0227-01	..Gear case-LH			
3	2	1812-0343-01	..Bearing			
4	1	1812-0227-01	.Gear case-LH		Inkl.pos 1,2,3	
5	2	1812-0345-01	.Washer			
6	1	1812-0409-01	.Woodruffkey			
7	1	1812-0335-01	.Worm gear			
8	1	1812-0226-01	.Gasket			
9	1	1812-0228-01	.Gear case-RH		Inkl.pos 1,3,25	
10	1	1812-0238-01	.Shaft			
10	1	1812-0242-01	.Shaft			
11	1	9987-5145-12	.Screw			
12	1	1812-0341-01	.Ring			
13	1	1812-0340-01	.Bearing			
14	1	1812-0339-01	.Washer			
15	1	1812-0338-01	.Needle bearing			
16	1	1812-0337-01	.Washer			
17	1	1812-0307-01	.Key			
18	1	1812-0336-01	.Gear			
19	1	1812-0284-01	.Washer			
20	1	1812-0286-01	.Retainer ring			
21	1	1812-0297-01	.Bearing			
22	1	1812-0346-01	.Oil plug			
23	1	1812-0237-01	.Impeller shaft			
24	1	1812-0426-01	.Fan			
25	1	1812-0228-01	..Gear case-RH			
26	7	9987-5125-16	.Screw			
27	8	9743-5121-02	.Nut			
28	2	9988-3557-12	.Screw			
29	2	9699-0026-02	.Flat washer			
30	2	9743-3521-32	.Nut			

Ihr Ersatzteilspezialist im Internet!



12 HP



Ihr Ersatzteilspezialist im Internet!

Section: 828, 1232 BELT TRANSMISSION

Pos.	Quantity	Spare part No	Description	Kit	Notes	New
	1817	1822				
1	1	1812-0207-01	Belt protection			
2	1	1812-0554-01	Chassie			
3A	1	1812-0428-01	Spacer			
3B	1	1812-0905-01	Engine riser			
4	3	9699-0026-02	Flat washer			
5	11	1812-0384-01	Screw			
6	11	1812-0385-01	Screw			
7	1	1812-0555-01	Plate			
8	3	1812-0328-01	Bushing			
9	2	9699-0038-02	Flat washer			
10	1	1812-0401-01	Pin			
11	1	1812-0446-01	Lever			
12	1	1812-0447-01	Lever			
13	9	9795-3631-02	Nut			
14	12	9683-0030-02	Lock washer			
15	1	9699-0028-02	Flat washer			
16	1	1812-0331-01	Bracket			
17	1	9899-3622-16	Screw			
18	4	9683-0035-02	Lock washer			
19	2	9988-3725-16	Screw			
20A	4	9987-5170-12	Screw			
20B	4	9987-5157-12	Screw			
22	1	1812-0427-01	Plate			
23	2	1812-0317-01	Spacer			
24	2	9987-5125-16	Screw			
25	1	1812-0628-01	Bolt			
26	1	1812-1124-01	Belt guide			
27	1	9988-3619-16	Screw			
28	1	1812-0319-01	Rod			
29	1	9683-0025-02	Lock washer			
30	1	9795-3531-02	Nut			
31	1	9743-3621-32	Nut			
32	1	1812-0321-01	Spring			
33	1	1812-0300-01	Bolt			
34	1	9699-0069-02	Flat washer			
35	1	1812-0421-01	Bracket			
36	2	1812-0322-01	Tension roller			
37	1	9988-3732-12	Screw			
38	1	9743-3721-32	Nut			
39	1	1812-0727-01	Spindle plate			
40	1	1812-0720-01	Engine pulley space			
41	1	1812-0333-01	Pulley			
42	1	1812-0334-01	Pulley			
43	1	1812-0283-01	Washer			
45	1	9987-5232-16	Bolt			
46	1	1812-0208-01	Tensioning arm			
47	1	9988-3738-12	Screw			
48	1	9699-0029-02	Flat washer			
49	1	9743-3721-32	Nut			
50	3	1812-1119-01	Bolt			
51	1	1812-9015-01	V-belt		Hjuldrevninh	
52	1	1812-0306-01	Pulley		7"	
53	1	1812-0307-01	Key			
54	1	1812-0308-01	Pulley		8.4"	
55	1	1812-9014-01	V-belt		Snöskruv	
56	1	1812-0424-01	Plate			
57	1	1812-0422-01	Bottom panel			
58	1	1812-0661-01	Spring			
107	4	9794-5131-02	Nut			

ection: 828, 1232 BELT TRANSMISSION

Pos.	Quantity	Spare part No	Description	Kit	Notes	New
	1817	1822				
108	4	5	9743-5121-02	Nut		
109		3	9987-5125-16	Screw		
112		1	1812-1128-01	Bolt		
113	1	1	1812-0387-01	Screw		

Ihr Ersatzteilspezialist im Internet!