

www.ersatzteil-service.de

www.ersatzteilplan.de

IBEA
POWER PRODUCTS

Modello n. Serie dal n.
IB-5366F 313

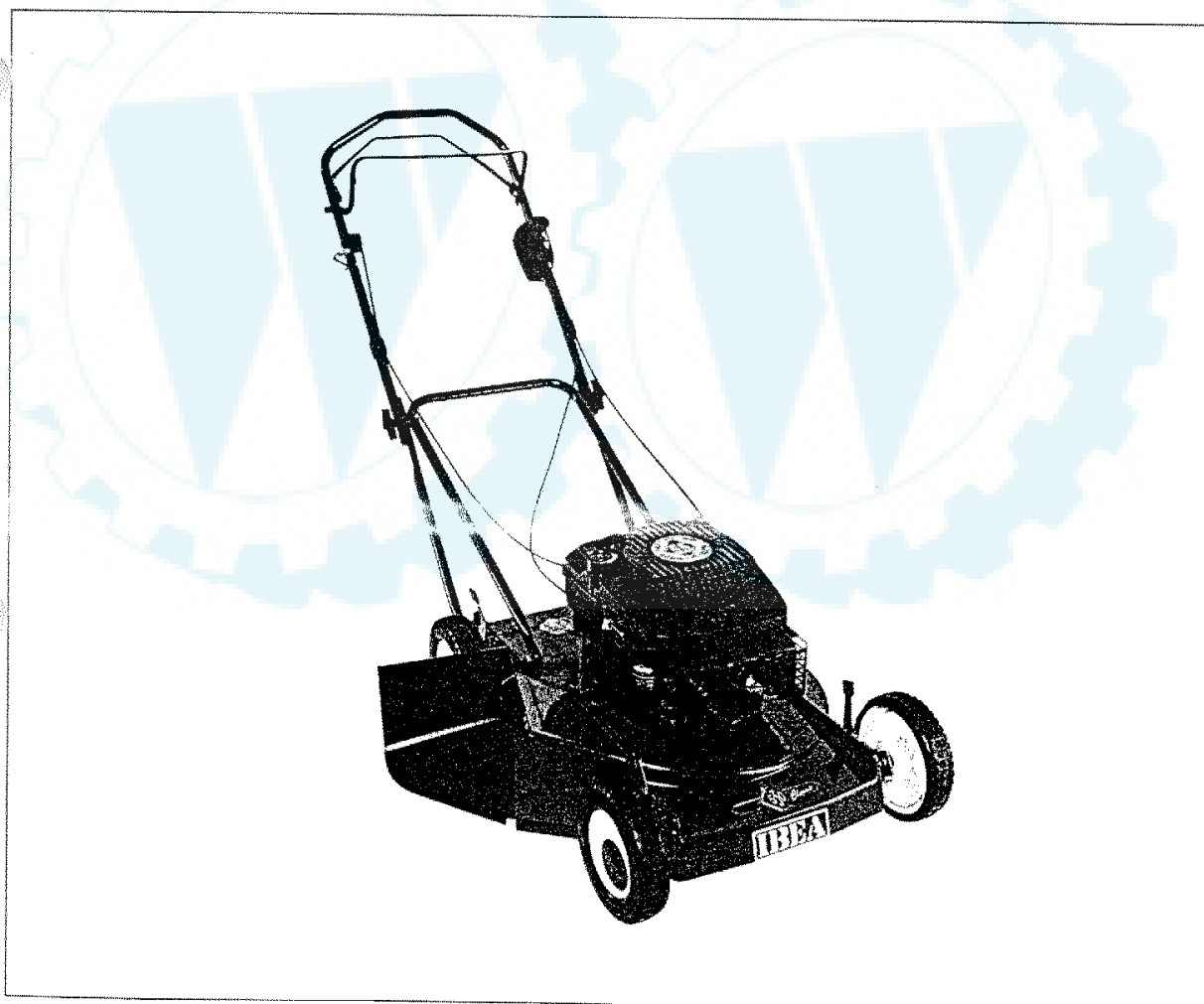
Stampato n° P5090248

LISTA RICAMBI

SPARE PARTS LIST

ERSATZTEILLISTE

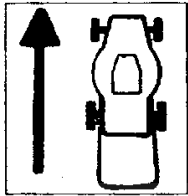
LISTE DES PIECES DE RECHANGE



SERIE 530 SCARICO LATERALE

[Ihr Ersatzteilspezialist im Internet](#)

REF. N°	PART. N°	QTY	DESCRIZIONE	DESCRIPTION	DESCRIPTION	BESCHREIBUNG
1	P5140646	1	DECALCO	DECAL	MARQUAGE	AUFKLEBER
2	P5140645	1	DECALCO	DECAL	MARQUAGE	AUFKLEBER
3	P5140337	1	DECALCO	DECAL	MARQUAGE	AUFKLEBER
4	P5140531	1	DECALCO	DECAL	MARQUAGE	AUFKLEBER
5	P5140631	1	DECALCO	DECAL	MARQUAGE	AUFKLEBER
6	P5140552	1	DECALCO	DECAL	MARQUAGE	AUFKLEBER
7	P5140550	1	DECALCO	DECAL	MARQUAGE	AUFKLEBER
8	P5140334	1	DECALCO	DECAL	MARQUAGE	AUFKLEBER
*	P5110008	1	CHIAVE TUBO	KEY	CLEF	SCHLÜSSEL
*	P5090181	1	MANUALE ISTRUZIONI	INSTRUCTION MANUAL	MODE D'EMPLOI	BEDIENUNGSANLEITUNG



1



2



3



4



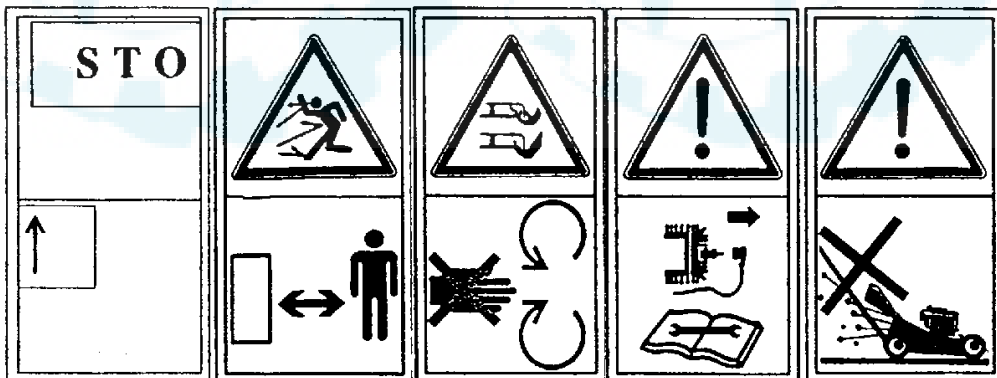
5



6



7



8

IBEA S.p.A.

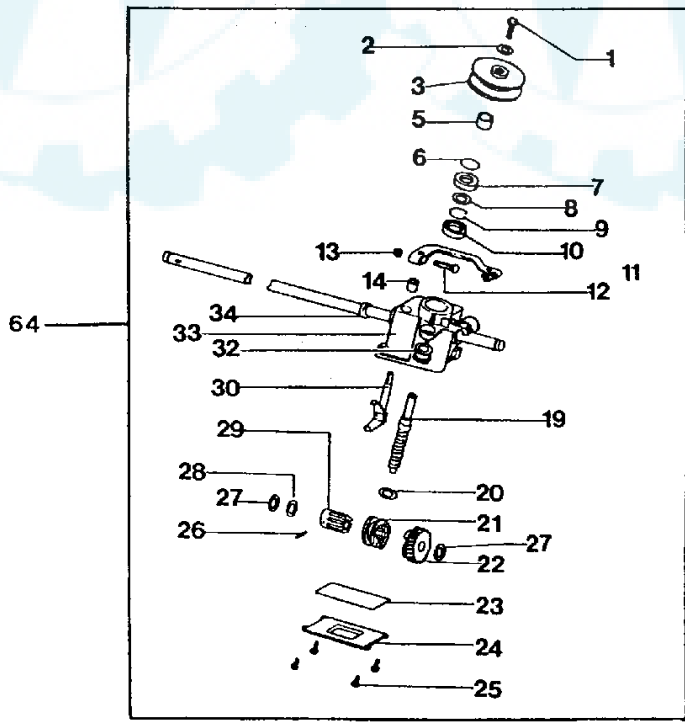
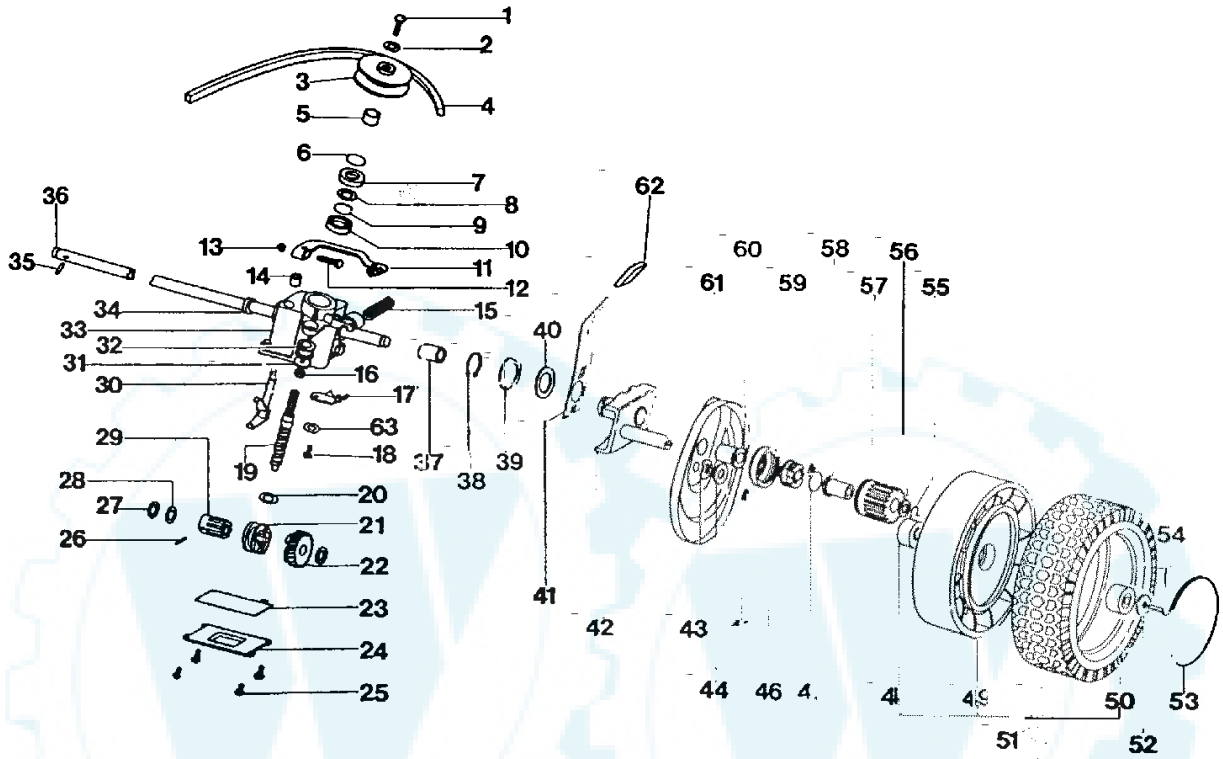
Via De Gasperi, 5 - 22070 LUISAGO (CO)
Tel.: 031/92.91.50 - Fax: 031/92.94.07-92.86.07

Ihr Ersatzteilspezialist im Internet

REF. N°	PART. N°	QTY	DESCRIZIONE	DESCRIPTION	DESCRIPTION	BESCHREIBUNG
1		1	MOTORE	ENGINE	MOTEUR	MOTOR
2	P1050011	3	DADO	NUT	ÉCROU	MUTTER
3	P2020165	1	CAPOTTINA	ENGINE COVER	COUVERCLE MOTEUR	MOTORABDECKUNG
4	P1010154	2	VITE	SCREW	VIS	SCHRAUBE
5	P1010148	2	VITE	SCREW	VIS	SCHRAUBE
6	2020050A1	2	GALLETTO	KNOB	POIGNÉE	MUTTER
7	P02070251	2	STEGOLA INF.	LOWER HANDLEBAR	GUIDON INF.	HOLMUNTERTEIL
8	P1010125	2	VITE	SCREW	VIS	SCHRAUBE
9	P1050011	2	DADO	NUT	ÉCROU	MUTTER
10	P02071151	1	RINFORZO STEGOLA	REINFORCEMENT	RENFORCEMENT	VERSTÄRKUNG
11	1010003A1	2	VITE	SCREW	VIS	SCHRAUBE
12	P2020062	2	COPRIMOZZO	COVER	COUVERCLE	DECKEL
13	1010018A1	2	VITE	SCREW	VIS	SCHRAUBE
14	1020007A1	2	RONDELLA	WASHER	RONDELLE	SCHRAUBE
15	P2020083	2	COPERTONE	TYRE	PNEU	SCHIBE
16	P3030013	4	CUSCINETTO	BEARING	PAUER	REIFEN
17	P2020082	2	CERCHIO	WHEEL HUB	JANTE	LAGER
18	P2020128	2	COPRI RUOTA	WHEEL COVER	PROTECTION	FELGE
19	P00015176	2	RUOTA ANT. COMPL.	FRONT WHEEL ASSY	ROUE ANT. COMPL.	ABDECKUNG
20	P2020088	2	DISTANZIALE	SPACER	DOUILLE	RAD KOMPL.
21	P1020050	2	RONDELLA	WASHER	RONDELLE	ABSTANDSSTÜCK
22	P4020028	2	PORTA RUOTA ANT.	FRONT WHEEL SUPPORT	SUPPORT ROUE ANT.	SCHIBE
23	P1050012	2	DADO	NUT	ÉCROU	RADHALTER
24	P3040119	2	BUSSOLA	BUSHING	DOUILLE	MUTTER
25	P4020039	1	LEVA ALZA RUOTA ANT.SX	L.H. FRONT LEVER	LEVIER ANT. GAUCHE	BÜCHSE
25	P4020038	1	LEVA ALZA RUOTA ANT.DX	R.H. FRONT LEVER	LEVIER ANT. DROITE	HEBEL L.
26	P1010116	2	VITE	SCREW	VIS	HEBEL R.
27	P3040118	2	BUSSOLA	BUSHING	DOUILLE	SCHRAUBE
28	P2020077	2	POMELLO	KNOB	POIGNÉE	BÜCHSE
29	P1050011	2	DADO	NUT	ÉCROU	ABDECKUNG
30	P4090010	1	SCOCCA	MOWERDECK	CHÂSSIS	MUTTER
31	P1010076	4	VITE	SCREW	VIS	GEHÄUSE
32	P2020141	1	CARTER COPRICINGHIA	BELT COVER	PROTECTION	SCHRAUBE
33	P1060004	2	STARLOCK	STARLOCK	STARLOCK	ABDECKUNG
34	P00020351	1	CERNIERA	HINGE	CHARNIERE	STARLOCK
35	P01027251	1	ASTINA	SHAFT	ARBRE	SCHARNIER
36	P3020022	1	MOLLA PER PORTELLO	SPRING	RESSORT	ACHSE
37	P3040203	2	DISTANZIALE	SPACER	DOUBLE	FEDER
38	P00020151	1	DEFLETTORE	SHIELD	PLAQUE DE PROTECTION	ABSTANDSSTÜCK
39	P1050014	2	DADO	NUT	ÉCROU	SCHUTZ
40	P1060012	2	STARLOCK	STARLOCK	STARLOCK	MUTTER
41	P1010150	2	VITE	SCREW	VIS	STARLOCK
42	P2020138	1	TARGHETTA IBEA	IBEA PLAQUE	PLAQUE IBEA	SCHRAUBE
43	1020014A1	3	RONDELLA	WASHER	RONDELLE	IBEA AUFKLEBER
44	P1010097	2	VITExB&S QUANTUM	SCREWxB&S QUANTUM	VISxB&S QUANTUM	SCHIBE
44	P1010092	2	VITExB&S QUANTUM	SCREWxB&S QUANTUM	VISxB&S QUANTUM	SCHRAUBExB&S QUANTUM
44	P1010101	3	VITExB&S 2 T.	SCREWxB&S 2 T.	VISxB&S 2 T.	SCHRAUBExB&S 2 T.
45	1090001A1	1	CHIAVETTA	KEY	CLAVETTE	SCHRAUBExB&S 2 T.
46	P3040309	1	BUSSOLA LAMA	BLADE BUSHING	DOUILLE DE COUTEAU	SCHIEBENFEDER
47	P4050028	1	LAMA	BLADE	COUTEAU	MESSERBÜCHSE
48	1110002A1	1	MOLLA A TAZZA	SPRING	RESSORT	MESSER
49	1020015A1	1	RONDELLA ELASTICA	SPRING WASHER	RONDELLE ELAST.	FEDER
50	P1010050	1	VITE LAMA	BLADE SCREW	VIS DE COUTEAU	FEDERSCHIBE
						MESSERSCHRAUBE

Tav. 2

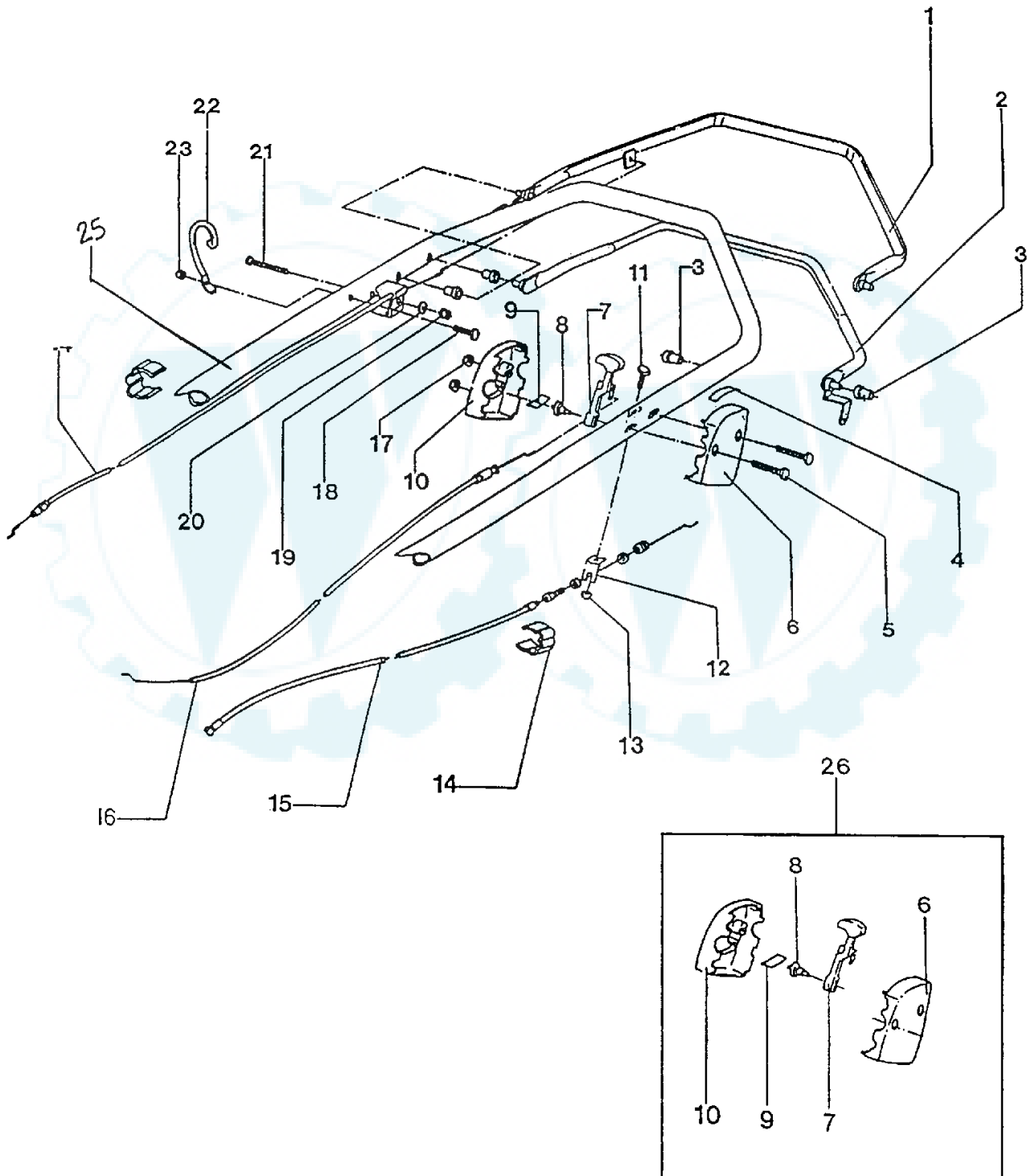
Assale posteriore e trasmissione
Rear axle and gear box
Essieux arrière et transmission
Hinterachse und Getriebe



REF. N°	PART. N°	QTY	DESCRIZIONE	DESCRIPTION	DESCRIPTION	BESCHREIBUNG
1	1010018A1	1	VITE	SCREW	VIS	SCHRAUBE
2	1020007A1	1	RONDELLA	WASHER	RONDELLE	SCHIBE
3	P3040048	1	PULEGGIA	PULLEY	POULIE	RIEMENSCHIBE
4	P3010019	1	CINGHIA TRASMISSIONE	TRANSMISSION BELT	COURROIE DE TRANSMISSION	RIEMEN
5	P3040049	1	BUSSOLA DISTANZIALE	BUSHING	DOUILLE	BÜCHSE
6	P3170013	1	O-RING	O-RING	JOINT TORIQUE	GUMMIRING
7	P3170010	1	PARAOILIO	OIL SEAL	JOINT D'ARBRE	WELLENDICHTRING
8	P1020051	1	SPESSORE	WASHER	RONDELLE	SCHIBE
9	P1070004	1	SEEGER	CIRCLIP	SEEGER	SEEGER
10	P3030010	1	CUSCINETTO	BEARING	PALIER	LAGER
11	P4070011	1	LEVA PER RIDUTTORE	LEVER	LEVIER	HEBEL
12	P1010075	1	VITE	SCREW	VIS	SCHRAUBE
13	1050003A1	1	DADO	NUT	ÉCROU	MUTTER
14	P3170012	1	PARAOILIO	OIL SEAL	JOINT D'ARBRE	WELLENDICHTRING
15	P3020010	1	MOLLA	SPRING	RESSORT	FEDÉR
16	1010018A1	1	VITE	SCREW	VIS	SCHRAUBE
17	P4030010	1	COPERCHIO MOLLA	SPRING COVER	COUVERCLE	FEDERHALTER
18	P1010076	1	VITE	SCREW	VIS	SCHRAUBE
19	P3040042	1	VITE SENZA FINE	WORM GEAR	VIS SANS FIN	SCHNECKE
20	P1020053	1	SPESSORE	WASHER	RONDELLE	SCHIBE
21	P00038099	1	INNESTO	SELECTOR COLLAR	MANCHON	SCHALTBÜCHSE
22	P00038199	1	CORONA	WORM WHEEL	ROUE POUR VIS S. FIN	SCHNECKENRAD
23	P3170014	1	O-RING	O-RING	JOINT TORIQUE	GUMMIRING
24	P4110001	1	COPERCHIO SCATOLA	BOX COVER	COUVERCLE	DECKEL
25	P1010076	4	VITE	SCREW	VIS	SCHRAUBE
26	P1080007	1	SPINA	PIN	GOUPILE	STIFT
27	1020020A1	2	SPESSORE	WASHER	RONDELLE	SCHIBE
28	P1020051	1	SPESSORE	WASHER	RONDELLE	SCHIBE
29	P3050030	1	BUSSOLA SCANALATA	BUSHING	DOUILLE CANNELÉE	KEILHÜLSE
30	P3040041	1	FORCELLA INNESTO	FORK	FOURCHE	GABEL
31	P1020054	1	RONDELLA	WASHER	RONDELLE	SCHIBE
32	P2040010	1	GOMMINO	RUBBER TUBE	TUBE DE PROTECTION	SCHUTZHÜLLE
33	P00039199	1	SCATOLA RIDUTTORE	GEAR BOX	BOÎTE DE REDUCTEUR	UNTERSATZUNGSGETRIEBE
34	P3170011	2	PARAOILIO	OIL SEAL	JOINT D'ARBRE	WELLENDICHTRING
35	P1080004	2	SPINA ALBERO TRASM.	PIN	GOUPILE	STIFT
36	P3040075	2	ALBERO DI TRASM.	TRANSMISSION SHAFT	ARBRE DE TRANSMISSION	WELLE
37	3030003A1	2	CUSCINETTO	BEARING	PALIER	LAGER
38	P1070008	2	SEEGER	CIRCLIP	SEEGER	SEEGER
39	P1020057	2	DISTANZIALE	SPACER	DOUILLE	ABSTANDSSTÜCK
40	P1020058	2	DISTANZIALE	SPACER	DOUILLE	ABSTANDSSTÜCK
41	P4020019	1	LEVA ALZA RUOTA POST. SX	LEFT REAR WHEEL LEVER	LEVIER ROUE POST. DROITE	RADHEBEL L.
41	P4020020	1	LEVA ALZA RUOTA POST. DX	RIGHT REAR WHEEL LEVER	LEVIER ROUE POST. DROITE	RADHEBEL R.
42	P4020029	2	PORTA RUOTA	WHEEL SUPPORT	SUPPORT	RADHALTER
43	P1020050	2	RONDELLA ELASTICA	SPRING WASHER	RONDELLE ELAST.	FEDERSCHIBE
44	P2020088	2	DISTANZIALE PER RUOTA	WHEEL SPACER	DOUILLE	ABSTANDSSTÜCK
45	P2110001	4	SALTARELLO	CAM	CLIQUET	NOCKEN
46	P2020060	2	COPRIPIGNONE	CAGE	CAGE	KÄFIG
47	P3020012	2	MOLLA	SPRING	RESSORT	FEDER
48	P3030013	4	CUSCINETTO RUOTA	WHEEL BEARING	PALIER	LAGER
49	P2020084	2	CERCHIO	WHEEL HUB	JANTE	FELGE
50	P2020083	2	COPERTONE	TYRE	PNEU	REIFEN
51	P00015276	2	RUOTA COMPL.	WHEEL ASSY.	ROUE COMPL.	RAD KOMPL.
52	1020007A1	2	RONDELLA	WASHER	RONDELLE	SCHIBE
53	P2020062	2	COPRIMOZZO	COVER	COUVERCLE	DECKEL
54	1010018A1	2	VITE PER RUOTA	WHEEL SCREW	VIS POUR ROUE	RADSCHRAUBE
55	1070001A1	2	SEEGER	CIRCLIP	SEEGER	SEEGER
56	1020020A1	2	SPESSORE	WASHER	RONDELLE	SCHIBE
57	P3050031	2	PIGNONE	PINION	PIGNON	RITZEL
58	P2020059	2	BUSSOLA	BUSHING	DOUILLE	BÜCHSE
59	P2100001	2	CRICCHETTO	DRIVER	CLIQUET	MITNEHMER
60	P2020070	2	BUSSOLA	BUSHING	DOUILLE	BÜCHSE
61	P4030011	2	COPRI RUOTA	WHEEL COVER	PROTECTION	ABDECKUNG
62	P2020077	4	POMELLO PER LEVA	KNOB	POIGNÉE	ABDECKUNG
63	P1020055	1	RONDELLA	WASHER	RONDELLE	SCHIBE
64	P00078668	1	SCATOLA RIDUT. COMPL.	GEAR BOX ASS.Y	REDUCTEUR COMPL.	FAHRGETRIEBE KOMP.

Tav.

Stegola superiore e comandi
Upper handle and controls
Guidon supérieur et éléments de commande
Lenkeroberteil und Bedienungselemente



REF. N°	PART. N°	QTY	DESCRIZIONE	DESCRIPTION	DESCRIPTION	BESCHREIBUNG
1	P4080038VE	1	MANIGLIA SYSTEM 2	SYSTEM 2 LEVER	LEVIER SYSTEM 2	SYSTEM 2 HEBEL
2	P02042181	1	MANIGLIA TRAZIONE	TRACTION LEVER	POIGNÉE DE TRACTION	ANTRIEBSHEBEL
3	P2020153	4	BUSSOLA	BUSHING	DOUILLE	BÜCHSE
4	P5140552	1	DECALCO ACCELERAT.	DECAL	MARGUAGE	AUFKLEBER
5	P1010102	2	VITE	SCREW	VIS	SCHRAUBE
6	P2020107	1	SCATOLA ACCELER. SX	L.H. HOUSING	BOÎTE GAUCHE	SCHALE L.
7	P00065099	1	LEVA ACCELERATORE	THROTTLE LEVER	LEVIER DE COMMANDE	GASHEBEL
8	P2020108	1	NOTTOLINO	BOLT	BOULON	STIFT
9	P4010059	2	MOLLA	SPRING	RESSORT	FEDER
10	P2020106	1	SCATOLA ACCELER. DX	R.H. HOUSING	BOÎTE DROITE	SCHALE R.
11	P1010078	1	VITE	SCREW	VIS	SCHRAUBE
12	P4010060	1	PIASTRINA	PLATE	PLAQUE	PLATTE
13	1050003A1	1	DADO	NUT	ÉCROU	MUTTER
14	P2020080	2	FERMA CAVO	CLIP	CLIP	HALTER
15	P5010029	1	CAVO TRAZIONE	TRACTION CABLE	CÂBLE DE TRACTION	ANTRIEBSKABEL
16	P5020049	1	CAVO ACCELERATORE	THROTTLE CABLE	CÂBLE DE GAZ	GASKABEL
17	1050003A1	2	DADO	NUT	ÉCROU	MUTTER
18	P1010065	1	VITE	SCREW	VIS	SCHRAUBE
19	1050003A1	1	DADO	NUT	ÉCROU	MUTTER
20	1020013A1	1	RONDELLA	WASHER	RONDELLE	SCHIBE
21	P1010203	1	VITE	SCREW	VIS	SCHRAUBE
22	P01068343	1	SUPPORTO A RICCILO	STARTER HOLDER	SUPPORT	HALTER
23	1050002A1	1	DADO	NUT	ÉCROU	MUTTER
24	P5010059	1	CAVO SYSTEM 2	SYSTEM 2 CABLE	CÂBLE SYSTEM 2	SYSTEM 2 KABEL
25	P3120103VE	1	STEGOLA SUPERIORE	UPPER HANDLE BAR	GUIDON SUP.	OB. FÜHRUNGSHOLM
26	P00035099	1	SCATOLA ACC. COMPL.	THROTTLE HOUSING ASS.Y	BOÎTE DE GAZ COMP.	GASGEHÄUSE KOMPL.

Tav. 1

Vista generale
Complete machine
Vue d'ensemble
Gesamtansicht

