

www.ersatzteil-service.de

www.ersatzteilplan.de

IBEA

Modello n. Serie dal n.

IB-4703F 001

IB-4705F 001

Stampato n. P5090149

LISTA RICAMBI

SPARE PART LIST

ERSATZTEILLISTE

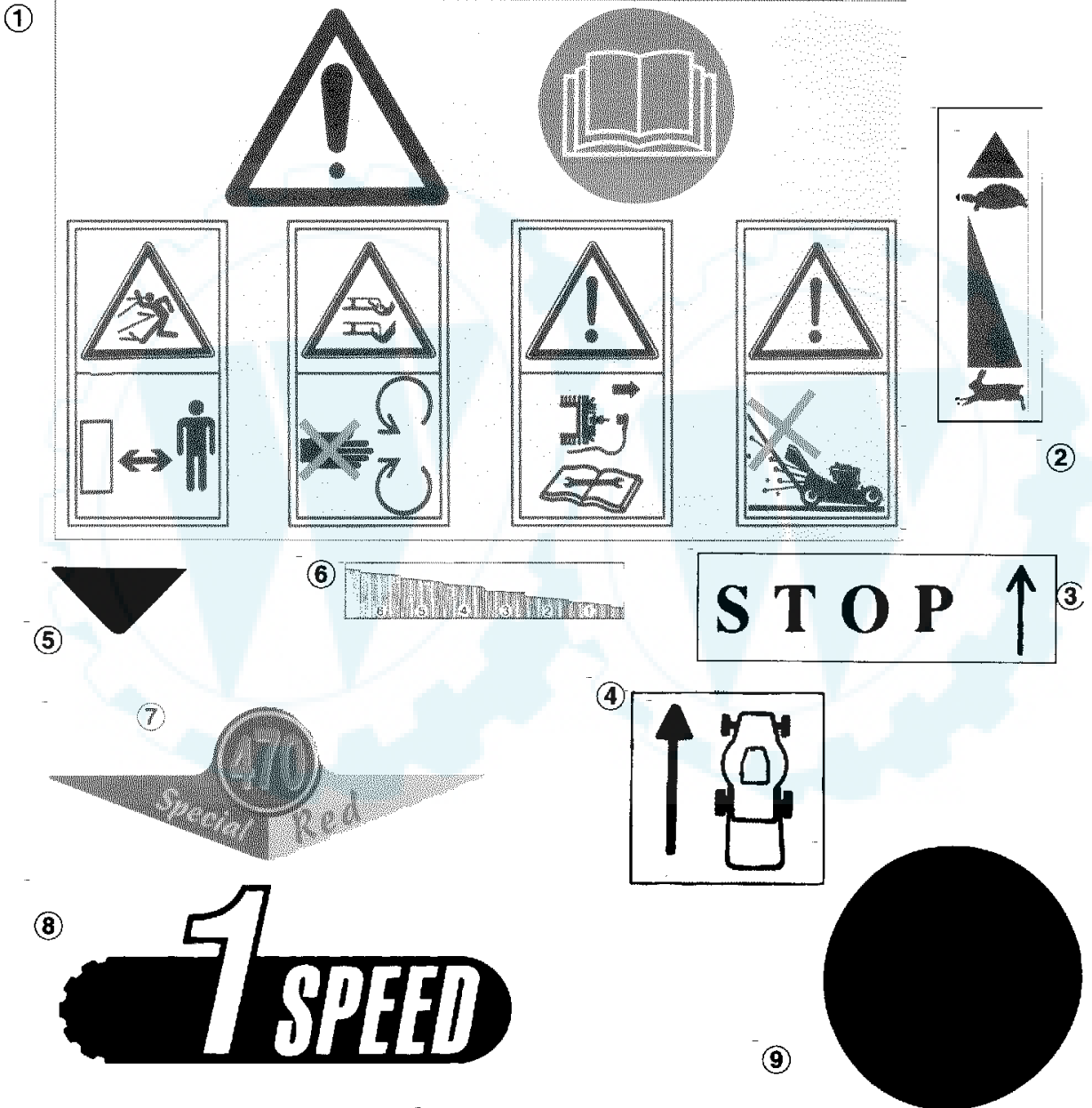
LISTE DES PIECES DE RECHANGE



SERIE 470 SPECIAL RED

[Ihr Ersatzteilspezialist im Internet](#)

| REF. N° | PART. N° | QTY | DESCRIZIONE | DESCRIPTION | DESCRIPTION | BESCHREIBUNG |
|---------|----------|-----|--------------------|--------------------|---------------|---------------------|
| 1 | P5140334 | 1 | DECALCO | DECAL | MARQUAGE | AUFKLEBER |
| 2 | P5140515 | 1 | DECALCO | DECAL | MARQUAGE | AUFKLEBER |
| 3 | P5140573 | 1 | DECALCO | DECAL | MARQUAGE | AUFKLEBER |
| 4 | P5140574 | 1 | DECALCO | DECAL | MARQUAGE | AUFKLEBER |
| 5 | P5140101 | 1 | DECALCO | DECAL | MARQUAGE | AUFKLEBER |
| 6 | P5140102 | 1 | DECALCO | DECAL | MARQUAGE | AUFKLEBER |
| 7 | P5140340 | 1 | DECALCO | DECAL | MARQUAGE | AUFKLEBER |
| 8 | P5140337 | 1 | DECALCO | DECAL | MARQUAGE | AUFKLEBER |
| 9 | P5140138 | 1 | DECALCO | DECAL | MARQUAGE | AUFKLEBER |
| * | P5090011 | 1 | MANUALE ISTRUZIONI | INSTRUCTION MANUAL | MODE D'EMPLOI | BEDIENUNGSANLEITUNG |
| * | P5110008 | 1 | CHIAVE | KEY | CLEF | SCHLÜSSEL |



IBEA S.p.A.

Via De Gasperi, 5 - 22070 LUISAGO (CO)

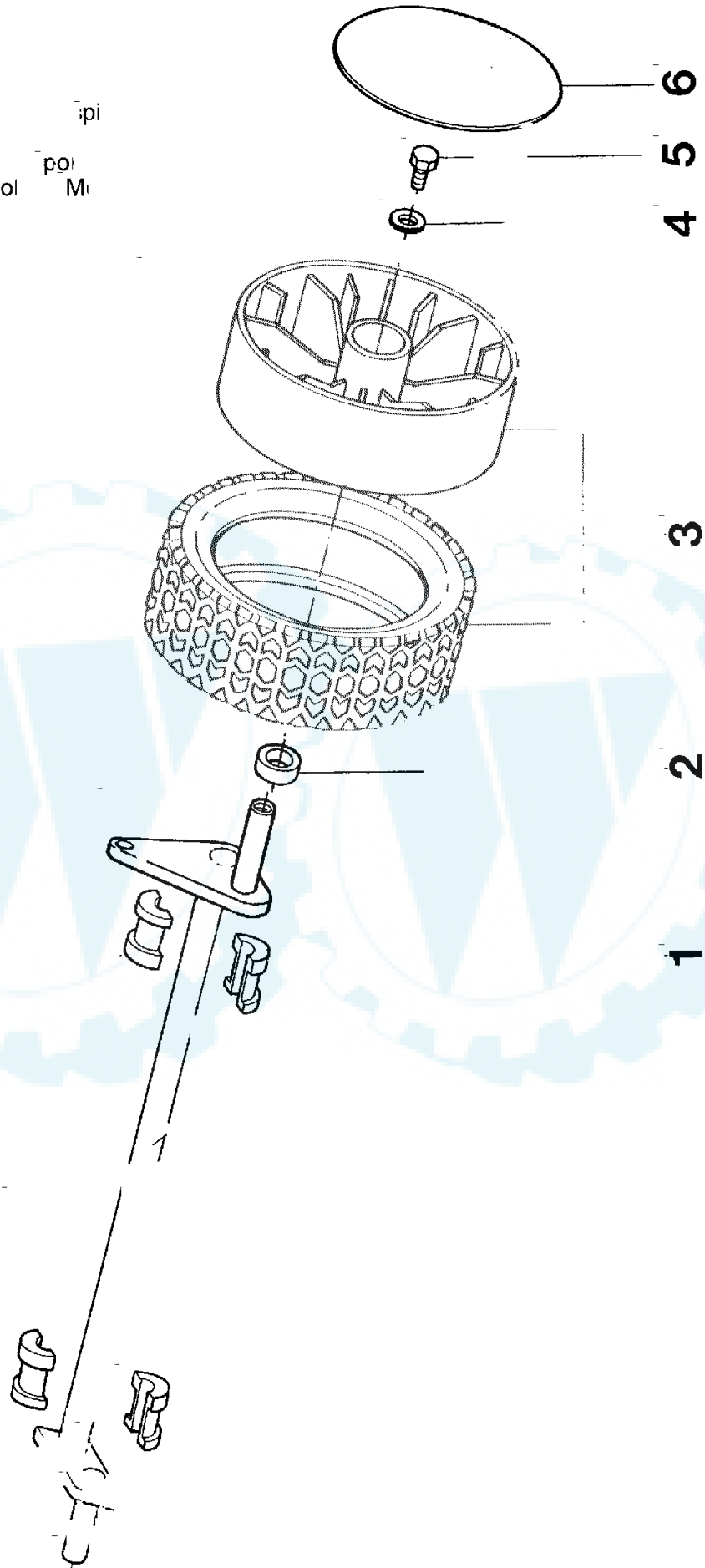
Tel.: 031/92.91.50 - Telex: 380870

Telefax: 031/92.94.07-88.99.85

Ihr Ersatzteilspezialist im Internet

| REF. N° | PART. N° | QTY | DESCRIZIONE | DESCRIPTION | DESCRIPTION | BESCHREIBUNG |
|---------|-------------|-----|-------------------------|----------------------------|----------------------------|-------------------------------|
| | P01011080 | 1 | TELAIO CESTELLO | FRAME | MONTURE | GESTELL |
| 2 | P3160050 | 1 | SACCO | GRASSBAG | SAC DE RAMASSAGE | GRASFANGSACK |
| 3 | P3070007 | 1 | CESTELLO COMPLETO | GRASSBAG ASS.Y | SAC DE RAMASSAGE COMPL. | GRASFANGSACK KOMPL. |
| 4 | P3060044 | 1 | MANIGLIA ALZA RUOTA | HEIGHT ADJ. LEVER | LEVIER RÉG. HAUT. DE COUPE | HEBEL FÜR SCHNITTHÖHENVER. |
| 5 | P3020030 | 1 | MOLLA | SPRING | RESSORT | FEDER |
| 6 | P1020093 | 1 | RONDELLA | SPACER | ÉPAISSEUR | SCHEBE |
| 7 | P2020058 | 1 | PORTELLO | SHIELD | PROTECTION | KLAPPE |
| 8 | P1060004 | 2 | FISSATORE | WASHER | RONDELLE | SCHEBE |
| 9 | P01027080 | 1 | ASTINA PORTELLO | SHAFT | ARBRE | ACHSE |
| 10 | P1010070 | 2 | VITE | SCREW | VIS | SCHRAUBE |
| 11 | P2020053 | 1 | CARTER CAMBIO | COVER | COUVERCLE | DECKEL |
| 12 | P4080016 | 2 | SUPPORTO ASSALE | AXLE SUPPORT | SUPPORT ESSIEU | HALTER |
| 13 | P1010073 | 4 | VITE | SCREW | VIS | SCHRAUBE |
| 14 | 1060002A1 | 2 | ANELLO | NUT | ÉCROU | MUTTER |
| 15 | 1020014A1 | 3 | RONDELLA | WASHER | RONDELLE | SCHEBE |
| 16 | 3040010A1 | 2 | BULLONE | BOLT | BOULON | STIFT |
| 17 | P1010097 | 3 | VITE | SCREW | VIS | SCHRAUBE |
| 18 | P02028155 | 1 | ASTA REGOLAZIONE | ROD | TIGE | STANGE |
| 19 | P3020011 | 1 | MOLLA | SPRING | RESSORT | FEDER |
| 20 | P2020088 | 2 | DISTANZIALE | SPACER | RONDELLE | DISTANZBÜCHSE |
| 21 | 1020007A1 | 2 | RONDELLA | WASHER | RONDELLE | SCHEBE |
| 22 | 1010018A1 | 2 | VITE | SCREW | VIS | SCHRAUBE |
| 23 | P2020220 | 2 | COPRIMOZZO PER RUOTA | WHEEL COVER | COUVERCLE DE ROUE | RADABDECKUNG |
| 24 | P2020213 | 1 | RUOTA | WHEEL | ROUE | RAD |
| 25 | P1020067 | 1 | RONDELLA | WASHER | RONDELLE | SCHEBE |
| 26 | P1010050 | 2 | VITE LAMA | BLADE SCREW | VIS DE COUPEAU | MESSERSCHRAUBE |
| 27 | P4080015 | 2 | SUPPORTO ASSALE | AXLE SUPPORT | SUPPORT ESSIEU | HALTER |
| 28 | P1010073 | 4 | VITE | SCREW | VIS | SCHRAUBE |
| 29 | P00030380 | 1 | ASSALE ANTERIORE | FRONT AXLE | ESSIEU AVANT | VORDERACHSE |
| 30 | P1010018 | 1 | VITE | SCREW | VIS | SCHRAUBE |
| 31 | 1020007A1 | 1 | RONDELLA | WASHER | RONDELLE | SCHEBE |
| 32 | P2020055 | 1 | CHIOCCIOLA | NUT | ÉCROU | MUTTER |
| 33 | P1070007 | 1 | SEGER | CIRCLIP | SEGER | SEGER |
| 34 | 1020010A1 | 1 | RONDELLA | WASHER | RONDELLE | SCHEBE |
| 35 | P1030005 | 1 | BUSSOLA | BUSHING | DOUILLE | BÜCHSE |
| 36 | P4090005VER | 1 | SCOCCA | MOWERDECK | CHÂSSIS | GEHÄUSE |
| 37 | P1010071 | 1 | VITE | SCREW | VIS | SCHRAUBE |
| 38 | P1050011 | 3 | DADO | NUT | ÉCROU | MUTTER |
| 39 | | 1 | MOTORE | ENGINE | MOTEUR | MOTOR |
| 40 | 1090001A1 | 1 | CHIAVETTA | KEY | CLAVETTE | SCHLEIBENFEDER |
| 41 | P4050018 | 1 | LAMA | BLADE | LAME | MESSER |
| 42 | 1110002A1 | 1 | MOLLA | SPRING | RESSORT | FEDER |
| 43 | P3040102 | 1 | BUSSOLA LAMA (SPINTA) | BLADE BUSHING (PUSH) | DOUILLE DE LAME (POUSSÉ) | MESSERBÜCHSE (HANDGESTOBN) |
| 43 | P3040254 | 1 | BUSSOLA LAMA (TRAZIONE) | BLADE BUSHING (SELF-PROP.) | DOUILLE DE LAME (TRACTÉ) | MESSERBÜCHSE (MIT RADANTRIEB) |

T
A: po: pi
R: irri re: po: Mi
Hi ira: itol



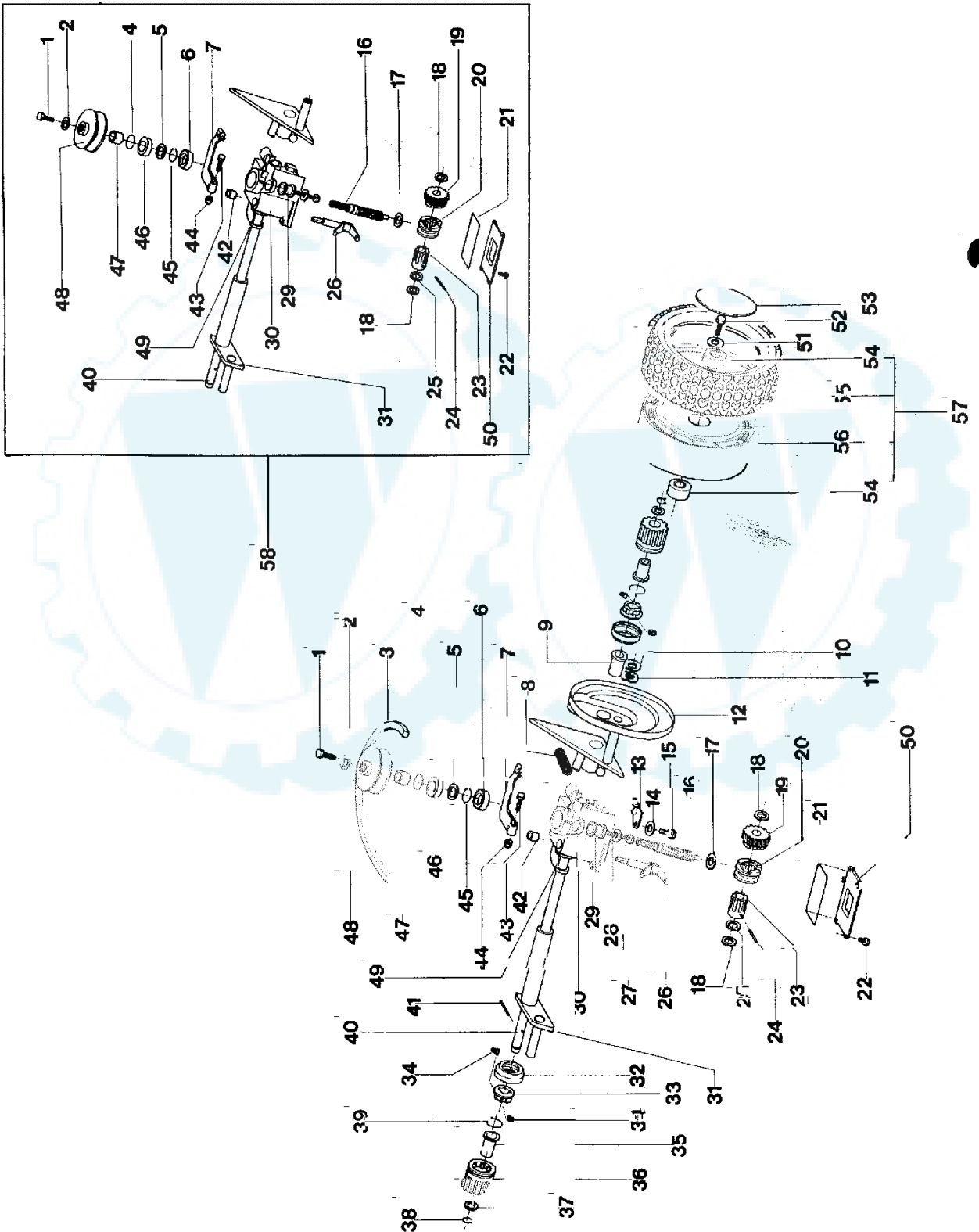
www.ersatzteil-service.de

www.ersatzteilplan.de

Ihr Ersatzteilspezialist  im Internet

Tav. 3

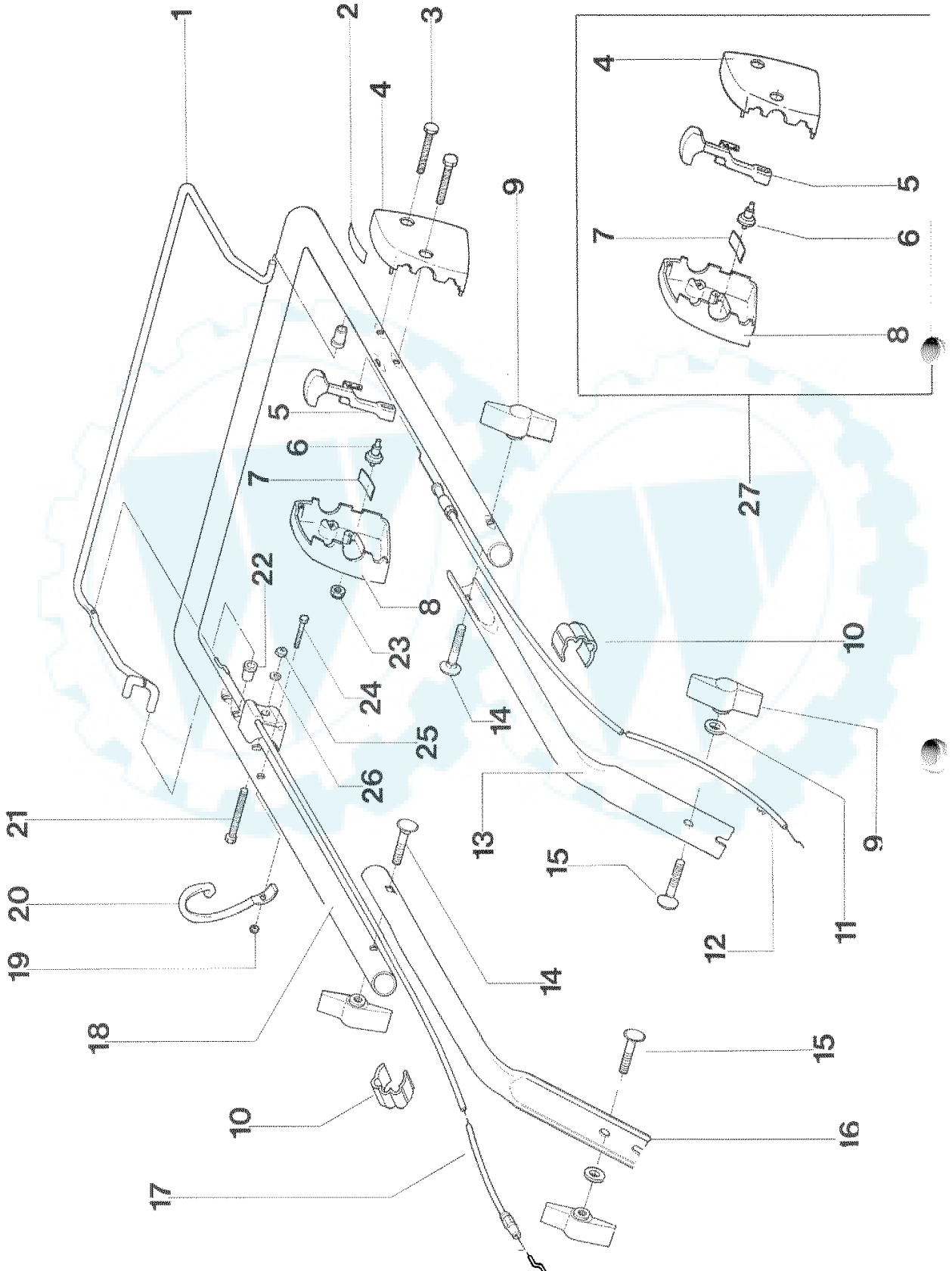
Assale posteriore e trasmissione, modello a trazione
Rear axle and gear box, self-propelled model
Essieux arrière et transmission, modèle tracté
Hinterachse und Getriebe, Modell mit Radantrieb



| REF. N° | PART. N° | QTY | DESCRIZIONE | DESCRIPTION | DESCRIPTION | BESCHREIBUNG |
|---------|-----------|-----|----------------------|-----------------|----------------------|---------------------|
| 1 | 1010018A1 | 1 | VITE | SCREW | VIS | SCHRAUBE |
| 2 | 1020007A1 | 1 | RONDELLA | WASHER | RONDELLE | SCHEIBE |
| 3 | P3010022 | 1 | CINGHIA | BELT | COURROIRE | RIEMEN |
| 4 | P3170013 | 1 | O-RING | SPACER | DOUILLE | ABSTANDSSTÜCK |
| 5 | P1020051 | 1 | RONDELLA | WASHER | RONDELLE | SCHEIBE |
| 6 | P3030010 | 1 | CUSCINETTO | BEARING | PALIER | LAGER |
| 7 | P4070011 | 1 | LEVA TRAZIONE | LEVER | LEVIER | HEBEL |
| 8 | P3020010 | 1 | MOLLA | SPRING | RESSORT | FEDER |
| 9 | P2020070 | 2 | BOCCOLA | BUSHING | DOUILLE | BÜCHSE |
| 10 | P2020088 | 2 | DISTANZIALE | SPACER | RONDELLE | DISTANZBÜCHSE |
| 11 | P1020080 | 2 | RONDELLA | SPRING WASHER | RONDELLE ÉLASTIQUE | FEDERSCHEIBE |
| 12 | P4030011 | 2 | COPRIRUOTA | WHEEL COVER | PROTECTION | ABDECKUNG |
| 13 | P4030010 | 1 | COPERCCHIETTO | COVER | COUVERCLE | DECKEL |
| 14 | P1020055 | 1 | RONDELLA | WASHER | RONDELLE | SCHEIBE |
| 15 | P1010076 | 1 | VITE | SCREW | VIS | SCHRAUBE |
| 16 | P3040042 | 1 | VITE SENZA FINE | WORM GEAR | VIS SANS FIN | SCHNECKE |
| 17 | P1020053 | 1 | RONDELLA | SPACER | DOUILLE | ABSTANDSSTÜCK |
| 18 | 1020020A1 | 2 | RONDELLA | WASHER | RONDELLE | SCHEIBE |
| 19 | P00038199 | 1 | RUOTA ELICOIDALE | WORM WHEEL | ROUE POUR VIS S. FIN | SCHNECKENRAD |
| 20 | P00038099 | 1 | INNESTO | SELECTOR COLLAR | MANCHON | SCHALTBÜCHSE |
| 21 | P3170014 | 1 | O-RING | O-RING | JOINT TORIQUE | GUMMRING |
| 22 | P1010076 | 1 | VITE | SCREW | VIS | SCHRAUBE |
| 23 | P3050030 | 1 | BUSSOLA GUIDA | BUSHING | DOUILLE CANNELÉE | KEILHÜSE |
| 24 | P1080007 | 1 | SPINA | PIN | GOUILLE | STIFT |
| 25 | P1020051 | 1 | RONDELLA | WASHER | RONDELLE | SCHEIBE |
| 26 | P3040041 | 1 | FORCELLA | FORK | FOURCHE | GABEL |
| 27 | P1010073 | 1 | VITE | SCREW | VIS | SCHRAUBE |
| 28 | P1020054 | 1 | RONDELLA | WASHER | RONDELLE | SCHEIBE |
| 29 | P2040010 | 1 | GOMMINO ANTIVIBRANTE | RUBBER TUBE | TUBE DE PROTECTION | SCHUTZHÜLLE |
| 30 | P00039199 | 1 | SCATOLA RIDUTTORE | GEARBOX HOUSING | BOÎTE DE VITESSE | GETRIEBE |
| 31 | P00030081 | 1 | ASSALE POSTERIORE | REAR AXLE | ESSEU ARRIÈRE | HINTERACHSE |
| 32 | P2020060 | 2 | COPRIPIGNONE | CAGE | CAGE | KÄFIG |
| 33 | P2100001 | 2 | CAMME CRICCHETTO | CAMME DRIVER | CLIQUETTE DE CAMME | MITNEHMER |
| 34 | P2110001 | 4 | SALTERELLO | KEY | CLAVETTE | SCHEIBENFEDER |
| 35 | P2020059 | 2 | BUSSOLA | BUSHING | DOUILLE | BÜCHSE |
| 36 | P3050031 | 2 | RUOTA DENTATA | PINION | PIGNON | RITZEL |
| 37 | 1020020A1 | 2 | RONDELLA | WASHER | RONDELLE | SCHEIBE |
| 38 | 1070001A1 | 2 | SEGER | CIRCLIP | SEGER | SEEGER |
| 39 | P3020012 | 2 | MOLLA | SPRING | RESSORT | FEDER |
| 40 | P3040047 | 1 | ALBERO TRAZIONE | TRACTION SHAFT | ARBRE DE TRACTION | ANTRIEBSWELLE |
| 41 | P1080004 | 2 | SPINA | PIN | GOUILLE | STIFT |
| 42 | P3170012 | 1 | ANELLO DI TENUTA | OIL SEAL | JOINT D'ARBRE | WELLENDICHTRING |
| 43 | P1010075 | 1 | VITE | SCREW | VIS | SCHRAUBE |
| 44 | 1050003A1 | 1 | DADO | NUT | ÉCROU | MUTTER |
| 45 | P1070004 | 1 | SEGER | CIRCLIP | SEGER | SEEGER |
| 46 | P3170010 | 1 | ANELLO DI TENUTA | OIL SEAL | JOINT D'ARBRE | WELLENDICHTRING |
| 47 | P3040049 | 1 | BUSSOLA | BUSHING | DOUILLE | BÜCHSE |
| 48 | P3040048 | 1 | PULLEGIA | PULLEY | POULIE | RIEMENSCHLEIBE |
| 49 | P3170011 | 2 | ANELLO DI TENUTA | OIL SEAL | JOINT D'ARBRE | WELLENDICHTRING |
| 50 | P4110001 | 1 | COPERCCHIO | COVER | COUVERCLE | DECKEL |
| 51 | 1020007A1 | 2 | RONDELLA | WASHER | RONDELLE | SCHEIBE |
| 52 | 1010018A1 | 2 | VITE | SCREW | VIS | SCHRAUBE |
| 53 | P2020180 | 2 | COPRIMOZZO | COVER | COUVERCLE | DECKEL |
| 54 | P3030013 | 4 | CUSCINETTO | BEARING | PALIER | LAGER |
| 55 | P2020078 | 2 | COPERTONE | TYRE | PNEU | REIFEN |
| 56 | P2020081 | 2 | CERCHIO | WHEEL HUB | JANTE | FELGE |
| 57 | P00015281 | 1 | RUOTA COMPL. | WHEEL ASS. Y | ROUE COMPL. | RAD KOMPL. |
| 58 | P00078684 | 1 | RIDUTTORE COMPLETO | GEAR BOX ASS. Y | RÉDUCTEUR COMPL. | FAHRGETRIEBE KOMPL. |

Tav. 4

Stegola superiore e comandi, modello a spinta
Upper handle and controls, push model
Guidon supérieur et éléments de commande, modèle à pousser
Lenkeroberteil und Bedienungselemente, handgestoßen Modell



| REF. N° | PART. N° | QTY | DESCRIZIONE | DESCRIPTION | DESCRIPTION | BESCHREIBUNG |
|---------|------------|-----|---------------------|-----------------|---------------------|------------------|
| | P3060038VE | 1 | LEVA SYSTEM 2 | SYSTEM 2 LEVER | LEVIER SYSTEM 2 | SYSTEM 2 HEBEL |
| 2 | P5140615 | 1 | DECALCO | DECAL | MARQUAGE | AUFKLEBER |
| 3 | P1010102 | 2 | VITE | SCREW | VIS | SCHRAUBE |
| 4 | P2020107 | 1 | SCATOLA ACCELER. SX | L.H. HOUSING | BOÎTE GAUCHE | SCHALE L. |
| 5 | P00065099 | 1 | LEVA ACCELERATORE | THROTTLE LEVER | LEVIER DE COMMANDE | GASHEBEL |
| 6 | P2020108 | 1 | NOTTOLINO | BOLT | BOULON | STIFT |
| 7 | P4010059 | 2 | MOLLA | SPRING | RESSORT | FEDER |
| 8 | P2020106 | 1 | SCATOLA ACCELER. DX | R.H. HOUSING | BOÎTE DROITE | SCHALE R. |
| 9 | 2020050A1 | 4 | POMELLO | KNOB | POIGNÉE | MUTTER |
| 10 | P2020080 | 2 | FERMA CAVO | CLIP | CLIP | HALTER |
| 11 | 1020014A1 | 2 | RONDELLA | WASHER | RONDELLE | SCHEIBE |
| 12 | P5020026 | 1 | CAVO ACCELERATORE | THROTTLE CABLE | CÂBLE DE GAZ | GASHEBEL |
| 13 | P02070455 | 1 | STEGOLA INFERIORE | L.H. HANDLEBAR | GUIDON GAUCHE | HOLMUNTERTEIL L. |
| 14 | 1010026A1 | 2 | VITE | SCREW | VIS | SCHRAUBE |
| 15 | P1010064 | 2 | PRIGIONIERO | SCREW | VIS | SCHRAUBE |
| 16 | P02068880 | 1 | STEGOLA | R.H. HANDLEBAR | GUIDON DROITE | HOLMUNTERTEIL R. |
| 17 | P5010045 | 1 | CAVO SYSTEM 2 | SYSTEM 2 CABLE | CÂBLE SYSTEM 2 | SYSTEM 2 KABEL |
| 18 | P3120091VE | 1 | STEGOLA SUPERIORE | UPPER HANDLEBAR | GUIDON SUPÉRIEUR | OB. FÜHRUNGSHOLM |
| 19 | 1050002A1 | 1 | DADO | NUT | ÉCROU | MUTTER |
| 20 | P01068343 | 1 | SUPPORTO A RICCILO | STARTER HOLDER | SUPPORT | HALTER |
| 21 | P1010203 | 1 | VITE | SCREW | VIS | SCHRAUBE |
| 22 | P3040123 | 4 | BUSSOLA | BUSHING | DOUILLE | BÜCHSE |
| 23 | 1050003A1 | 2 | DADO | NUT | ÉCROU | MUTTER |
| 24 | P1010065 | 1 | VITE | SCREW | VIS | SCHRAUBE |
| 25 | 1050003A1 | 1 | DADO | NUT | ÉCROU | MUTTER |
| 26 | 1020013A1 | 1 | RONDELLA | WASHER | RONDELLE | SCHEIBE |
| 27 | P00035099 | 1 | SCATOLA ACC. COMPL. | THROTTLE ASS. Y | BOÎTE DE GAZ COMPL. | GASHEBEL KOMPL. |

Tav. 5

Stegola superiore e comandi, modello a trazione
Upper handle and controls, self-propelled model
Guidon supérieur et éléments de commande, modèle tracté
Lenkeroberteil und Bedienungselemente, Modell mit Radantrieb



| REF. N° | PART. N° | QTY | DESCRIZIONE | DESCRIPTION | DESCRIPTION | BESCHREIBUNG |
|---------|------------|-----|----------------------|-----------------|---------------------|------------------|
| 1 | P3060038VE | 1 | LEVA SYSTEM 2 | SYSTEM 2 LEVER | LEVIER SYSTEM 2 | SYSTEM 2 HEBEL |
| 2 | P3060037VE | 1 | MANIGLIA TRAZIONE | TRACTION LEVER | POIGNÉE DE TRACTION | ANTRIEBSHEBEL |
| 3 | P5140515 | 1 | DECALCO | DECAL | MARQUAGE | AUFKLEBER |
| 4 | P2020107 | 1 | SCATOLA ACCELER. SX | L.H. HOUSING | BOÎTE GAUCHE | SCHALE L. |
| 5 | P1010102 | 2 | VITE | SCREW | VIS | SCHRAUBE |
| 6 | 2020050A1 | 4 | POMELLO | KNOB | POIGNÉE | MUTTER |
| 7 | P3120091VE | 1 | STEGOLA SUPERIORE | UPPER HANDLEBAR | GUIDON SUPÉRIEUR | OB. FÜHRUNGSHOLM |
| 8 | P02070455 | 1 | STEGOLA INFERIORE | L.H. HANDLEBAR | GUIDON GAUCHE | HOLMUNTERTEIL L. |
| 9 | 1020014A1 | 2 | RONDELLA | WASHER | RONDELLE | SCHEIBE |
| 10 | P5020026 | 1 | CAVO ACCELERATORE | THROTTLE CABLE | CÂBLE DE GAZ | GASHEBEL |
| 11 | 1010026A1 | 2 | VITE | SCREW | VIS | SCHRAUBE |
| 12 | P02068880 | 1 | STEGOLA INF. DX | R.H. HANDLEBAR | GUIDON DROITE | HOLMUNTERTEIL R. |
| 13 | P5010029 | 1 | CAVO TRAZIONE | TRACTION CABLE | CÂBLE DE TRACTION | ANTRIEBSKABEL |
| 14 | 1050003A1 | 1 | DADO | NUT | ECROU | MUTTER |
| 15 | P4010060 | 1 | PIASTRINA | PLATE | PLAQUE | PLATTE |
| 16 | 1020013A1 | 1 | RONDELLA | WASHER | RONDELLE | SCHEIBE |
| 17 | 1050003A1 | 1 | DADO | NUT | ECROU | MUTTER |
| 18 | P1010065 | 1 | VITE | SCREW | VIS | SCHRAUBE |
| 19 | 1050003A1 | 2 | DADO | NUT | ECROU | MUTTER |
| 20 | P2020106 | 1 | SCATOLA ACCELER. DX | R.H. HOUSING | BOÎTE DROITE | SCHALE R. |
| 21 | P4010059 | 2 | MOLLA | SPRING | RESSORT | FEDER |
| 22 | P2020108 | 1 | NOTTOLINO | BOLT | BOULON | STIFT |
| 23 | P00065099 | 1 | LEVA ACCELERATORE | THROTTLE LEVER | LEVIER DE COMMANDE | GASHEBEL |
| 24 | P1010078 | 1 | VITE | SCREW | VIS | SCHRAUBE |
| 25 | P3040123 | 4 | BUSSOLA | BUSHING | DOUILLE | BÜCHSE |
| 26 | P1010203 | 1 | VITE | SCREW | VIS | SCHRAUBE |
| 27 | P01068343 | 1 | SUPPORTO A RICCIOLLO | STARTER HOLDER | SUPPORT | HALTER |
| 28 | 1050002A1 | 1 | DADO | NUT | ECROU | MUTTER |
| 29 | P5010045 | 1 | CAVO SYSTEM 2 | SYSTEM 2 CABLE | CÂBLE SYSTEM 2 | SYSTEM 2 KABEL |
| 30 | P1010064 | 2 | PRIGIONIERO | SCREW | VIS | SCHRAUBE |
| 31 | P2020080 | 2 | FERMA CAVO | CLIP | CLIP | HALTER |
| 32 | P00035099 | 1 | SCATOLA ACC. COMPL. | THROTTLE ASS. Y | BOÎTE DE GAZ COMPL. | GASHEBEL KOMPL. |

Tav. 1

Vista generale
Complete machine
Vue d'ensemble
Gesamtansicht

