

www.ersatzteil-service.de

www.ersatzteilplan.de

IBEA

Serie: dal n. 911989

Stampato n. P5090021

LISTA RICAMBI

SPARE PART LIST

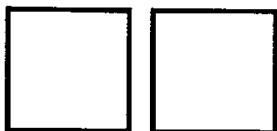
ERSATZTEILLISTE

LISTE DES PIECES DE RECHANGE

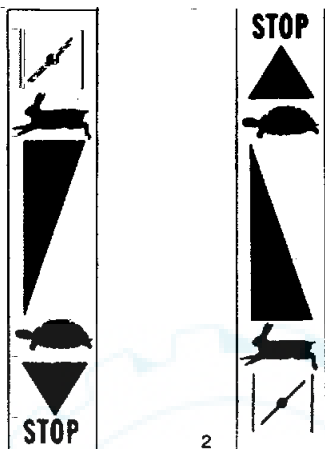


TOSAERBA
SERIE 420

mod. **ENDURO**
mod. **COUNTRY**



Ihr Ersatzteilspezialist im Internet



WARNING DANGER!
Blade rotates when engine is running. Only use the mower with grass catcher in place or with safety chute door closed. Disconnect high tension wire from spark plug before performing any repairs or maintenance to the machine.

ATTENZIONE PERICOLO!
La lama gira quando il motore è in moto. Usare il tosatore soltanto con il sacco di raccolta montato oppure con il portello di sicurezza chiuso. Prima di ogni riparazione o manutenzione staccare il cavo di accensione dalla candela.

VORSICHT. GEFAHR!
Rotierende Messer. Motor: Benutzen Sie den Mäher nur mit Montage des Aufsammels oder geschlossener Schutzhaube vor Reparatur. Vor Servicearbeiten am Mäher unbedingt Zündkabel vom Zündkerze abtrennen.

ATTENTION DANGER!
Couteau en rotation lorsque le moteur marche. N'utiliser la tondeuse qu'avec le collecteur d'herbe monté ou avec le capot de protection fermé. Avant de faire une réparation ou des travaux de service à la tondeuse débrancher l'étiquettement du câble d'allumage de la bougie.



REF. N°	PART. N°	QTY	DESCRIZIONE	DESCRIPTION	DESCRIPTION	BESCHREIBUNG
1	P5140516	1	DECALCO	LABEL	MARQUAGE	AUFKLEBER
2	P5140515	1	DECALCO	LABEL	MARQUAGE	AUFKLEBER
3	P5140438	1	DECALCO	LABEL	MARQUAGE	AUFKLEBER
4	P5140458	1	DECALCO	LABEL	MARQUAGE	AUFKLEBER
5	P5140503	1	DECALCO	LABEL	MARQUAGE	AUFKLEBER
6	P5140109	1	DECALCO	LABEL	MARQUAGE	AUFKLEBER
7	P5140110	1	DECALCO	LABEL	MARQUAGE	AUFKLEBER
*	P5090016	1	MANUALE ISTRUZIONI	INSTRUCTION MANUAL	MODE D'EMPLOI	BEDIENUNGSANLEITUNG
*	P5110008	1	CHIAVE CANDELA 21	KEY 21	CLEF 21	SCHLUESSEL 21
*	P2020138	1	TARGHETTA IBEA	IBEA PLAQUE	IBEA PLAQUE	IBEA AUFKLEBER

REF. N°	PART. N°	QTY	DESCRIZIONE	DESCRIPTION	DESCRIPTION	BESCHREIBUNG
1	P3020014	1	MOLLA	SPRING	RESSORT	FEDER
2	P3160031	1	SACCO	BAG	SAC RAMASSE GAZON	GRASFANGSACK
3	P2020147	1	DEFLETTORE	SHIELD	PLAQUE DE PROTECTION	SCHUTZ
4		1	MOTORE	ENGINE	MOTEUR	MOTOR
5	P1050011	3	DADO	NUT	ECROU	MUTTER
6	P01070943	1	RICCIOLO	ROPE GUIDE	GUIDE-FIL	SEILFUEHRUNG
7	P1010061	2	VITE	SCREW	VIS	SCHRAUBE
8	P2020089	1	COPRINCINGHIA	BELT COVER	PROTECTION	KEILRIEMEN
9	P02005066	1	SCOCCA	DECK	CHASSIS	GEHAEUFE
9	P00205066	1	SCOCCA S.R.	DECK S.R.	CHASSIS S.R.	GEHAEUFE S.R.
10	P2020091	3	BUSSOLA	BUSHING	DOUILLE	BUECHSE
11	1020009A1	2	RONDELLA	WASHER	RONDELLE	SCHIBE
12	P3040085	3	BUSSOLA	BUSHING	DOUILLE	BUECHSE
13	P1050011	2	DADO	NUT	ECROU	MUTTER
14	P1010101	3	VITE x BVS	SCREW x BVS	VIS x BVS	SCHRAUBE x BVS
14	P1010098	1	VITE x QUANTUM	SCREW x QUANTUM	VIS x QUANTUM	SCHRAUBE x QUANTUM
*	P1010101	2	VITE x QUANTUM	SCREW x QUANTUM	VIS x QUANTUM	SCHRAUBE x QUANTUM
15	P3040086	2	PERNO	BOLT	BOULON	STIFT
16	P01030366	1	ASSALE ANT.	FRONT AXLE	ESSIEU ANT.	ACHSE
17	1090001A1	1	CHIAVETTA BVS 143	KEY BVS 143	CLAVETTE BVS 143	SCHLUESSEL BVS 143
17	P1090003	1	CHIAVETTA QUANTUM	KEY QUANTUM	CLAVETTE QUANTUM	SCHLUESSEL QUANTUM
18	P3040099	1	DISTANZIALE	SPACER	DOUILLE	ABSTANDSSTUECK
19	P3040102	1	BUSSOLA LAMA ø 22.2	BLADE BUSHING ø 22.2	DOUILLE DE COUTEAU ø 22.2	MESSERBUECHSE ø 22.2
19	P3040101	1	BUSSOLA LAMA ø 25	BLADE BUSHING ø 25	DOUILLE DE COUTEAU ø 25	MESSERBUECHSE ø 25
20	P4050020	1	LAMA	BLADE	COUTEAU	MESSER
21	1110002A1	1	RONDELLA	WASHER	RONDELLE	SCHIBE
22	P1020067	1	RONDELLA SCHNORR	WASHER	RONDELLE	SCHIBE
23	P1010128	1	VITE LAMA	BLADE SCREW	VIS DE COUTEAU	MESSERSCHRAUBE
24	P1020050	2	RONDELLA ELASTICA	SPRING WASHER	RONDELLE ÉLAST.	FEDERSCHIBE
25	P2020088	2	DISTANZIALE	SPACER	DOUILLE	ABSTANDSSTUECK
26	P2020071	2	COPRIRUOTA	WHEEL COVER	PROTECTION	ABDECKUNG
27	P3030013	4	CUSCINETTI	BEARING	PAJIER	LAGER
28	P2020079	2	CERCHIO	WHEEL HUB	JANTE	FELGE
29	P2020078	2	COPERTONE	TYRE	PNEU	REIFEN
30	1020007A1	2	RONDELLA	WASHER	RONDELLE	SCHIBE
31	1010018A1	2	VITE	SCREW	VIS	SCHRAUBE
32	P2020062	2	COPRIMOZZO	COVER	COUVERCLE	DECKEL
33	P00046066	1	LEVA	LEVER	LEVIER	HEBEL
34	P2020077	1	POMELLO	KNOB	POIGNÉE	ABDECKUNG
35	P3040087	2	BUSSOLA	BUSHING	DOUILLE	BUECHSE
36	P01032066	1	PIASTRA	PLATE	PLAQUE	PLATTE
37	P1020064	4	RIVETTO	RIVET	RIVET	FLACHKOPFNIE
38	P01032166	1	PIASTRA	PLATE	PLAQUE	PLATTE
39	P1020064	4	RIVETTO	RIVET	RIVET	FLACHKOPFNIE
40	P2020092	1	PORTELLO	SHIELD	PROTECTION	KLAPPE
41	P01027066	1	ASTINA	SHAFT	ARBRE	ACHSE
42	P3020011	1	MOLLA	SPRING	RESSORT	FEDER
43	1020014A1	2	RONDELLA	WASHER	RONDELLE	SCHIBE
44	2020050A1	2	GALLETTO	KNOB	POIGNÉE	MUTTER
45	P02068742	1	STEGOLA INF. DX	RIGHT LOWER HANDLEBAR	GUIDON INF. DROITE	HOLMUNTERTEIL R.
	P02070257	1	STEGOLA INF. SX	LEFT LOWER HANDLEBAR	GUIDON INF. GAUCHE	HOLMUNTERTEIL L.
	P02070257	1	STEGOLA INF. DX PER S.R.	RIGHT LOWER HANDLEBAR S.R.	GOUIDON INF. DROITE S.R.	HOLMUNTERTEIL R. S.R.
46	2020050A1	2	GALLETTO	KNOB	POIGNÉE	MUTTER
47	1010026A1	2	VITE	SCREW	VIS	SCHRAUBE
48			VEDI TAV. 4/5/6	SEE TABLE 4/5/6	VOIR TABLE 4/5/6	SIEHE TABELLE 4/5/6
49	1020009A1	3	RONDELLA	WASHER	RONDELLE	SCHIBE
50	P00015581	2	RUOTA COMPL.	WHEEL ASSY.	ROUE COMPL.	RAD KOMPL.
51	1050002A1	2	DADO	NUT	ECROU	MUTTER
52	P01011066	1	TELAIO	FRAME	MONTURE	GESTELL
53	P00012066	1	SACCO	BAG	SAC RAMASSE GAZON	GRASFANGSACK
54	P2020088	2	DISTANZIALE	SPACER	DOUILLE	ABSTANDSSTUECK
55	P00015190	2	RUOTA COMPL.	WHEEL ASSY.	ROUE COMPL.	RAD KOMPL.
56	P3040111	2	DISTANZIALE	SPACER	DOUILLE	ABSTANDSSTUECK
57	P1060004	2	STARLOCK	STARLOCK	STARLOCK	STARLOCK
58	P5050001	1	CAVO	CABLE	CABLE	KABEL
59	P00011266	1	TELAIO	FRAME	MONTURE	GESTELL
*	P00011166	1	CESTELLO COMPL.	GRASS BAG COMPL.	SAC RAMASSE GAZON COMPL.	GRASFANGSACK KOMPL.
*	P00010066	1	CESTELLO COMPL. S.R.	GRASS BAG COMPL. S.R.	SAC RAMASSE GAZON COMPL. S.R.	GRASFANGSACK KOMPL. S.R.

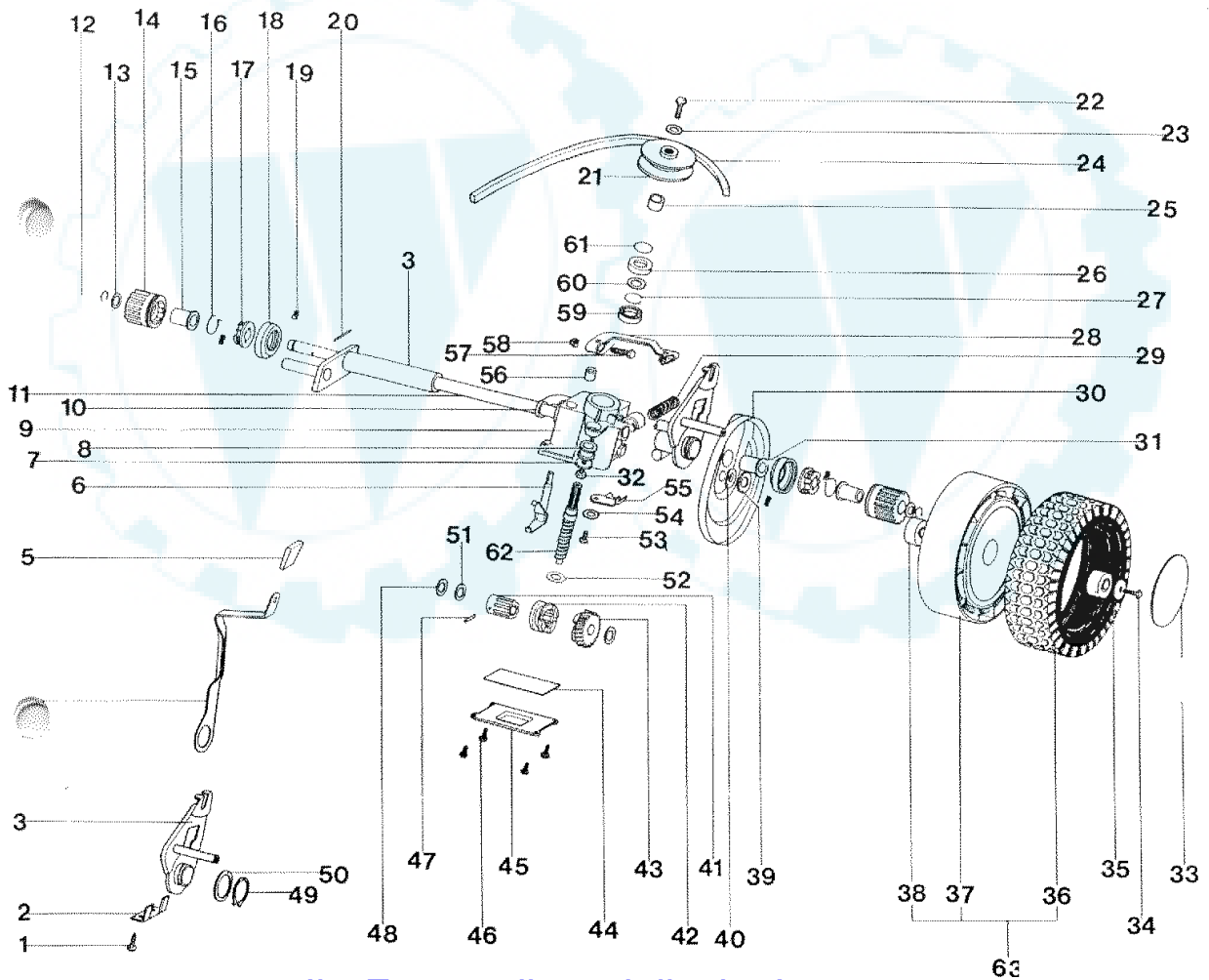
Tav. 2

Vista assale posteriore e riduttore COUNTRY

Rear axle and gear box COUNTRY

Essieu arrière et transmission COUNTRY

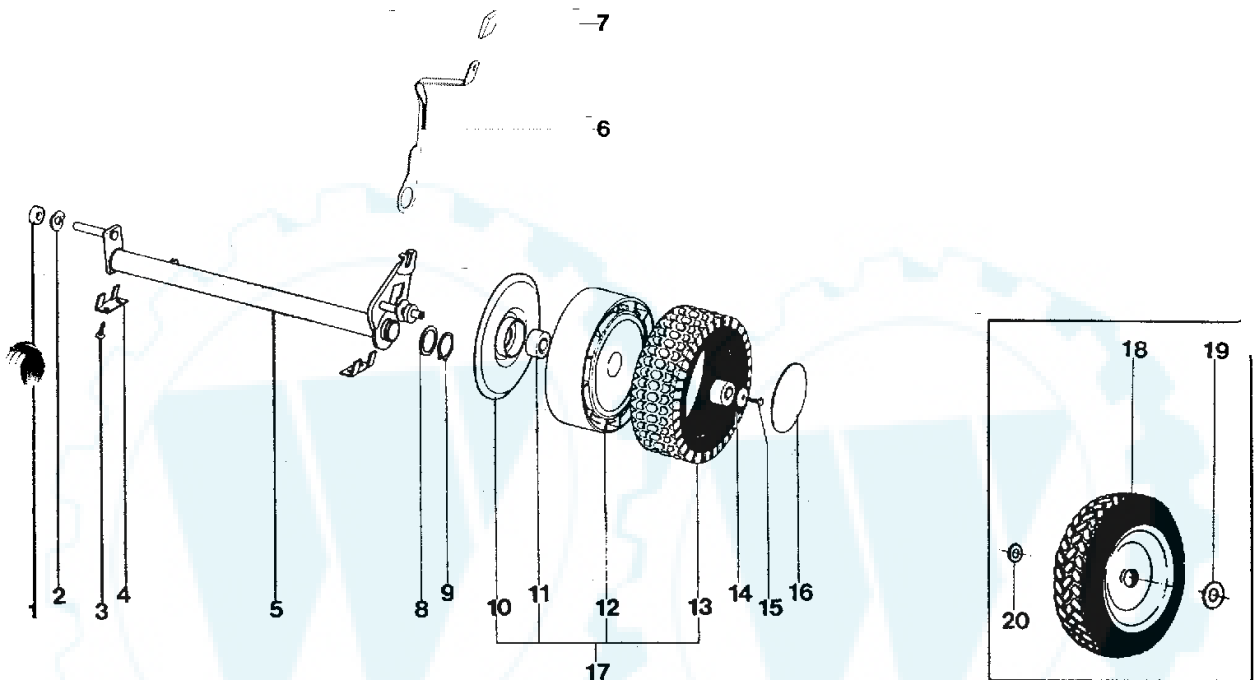
Hinterachse und Fahrgetriebe COUNTRY



REF. N°	PART. N°	QTY	DESCRIZIONE	DESCRIPTION	DESCRIPTION	BESCHREIBUNG
1	P1010090	4	VITE	SCREW	VIS	SCHRAUBE
2	P0103266	2	PIASTRINA	PLATE	PLAQUE	PLATTE
3	P01030065	1	ASSALE POST.	REAR AXLE	ESSIEU POST.	ACHSE
4	P00046166	1	LEVA POST.	REAR LEVER	LEVIER POST.	HEBEL
5	P2020077	1	POMELLO PER LEVA	KNOB	POIGNÉE	ABDECKUNG
6	P3040041	1	FORCELLA INNESTO	FORK	FOURCHE	GABEL
7	P1020054	1	RONDELLA	WASHER	RONDELLE	SCHEIBE
8	P2040010	1	GOMMINO	RUBBER TUBE	TUBE DE PROTECTION	SCHUTZHUELLE
9	P00039199	1	SCATOLA	HOUSING	BOITE	SCHALE
10	P3170011	2	PARAOLIO	OIL SEAL	JOINT D'ARBRE	WELLENDICHTRING
11	P3040093	1	ALBERO	SHAFT	ARBRE	WELLE
12	1070001A1	2	SEEGER	CIRCLIP	SEEGER	SEEGER
13	1020020A1	2	SPESSORE	WASHER	RONDELLE	SCHEIBE
14	P3050031	2	PIGNONE	PINION	PIGNON	RITZEL
15	P2020059	2	BUSSOLA	BUSHING	DOUILLE	BUECHSE
16	P3020012	2	MOLLA	SPRING	RESSORT	FEDER
17	P2100001	2	CRICCHETTO	DRIVER	CLIQUET	MITNEHMER
18	P2020060	2	COPRIPIGNONE	CAGE	CAGE	KAEFING
19	P2110001	4	SALTERELLO	CAM	CLIQUET	NOCKEN
20	P1080004	2	SPINA	PIN	GOUPILLE	STIFT
21	P3040048	1	PULEGGIA	PULLEY	POULIE	RIEMENSCHLEIBE
22	1010018A1	1	VITE	SCREW	VIS	SCHRAUBE
23	1020007A1	1	RONDELLA	WASHER	RONDELLE	SCHEIBE
24	P3010013	1	CINGHIA	BELT	COURROIE	RIEMEN
25	P3040049	1	DISTANZIALE	SPACER	DOUILLE	ABSTANDSSTUECK
26	P3170010	1	PARAOLIO	OIL SEAL	JOINT D'ARBRE	WELLENDICHTRING
27	P1070004	1	SEEGER	CIRCLIP	SEEGER	SEEGER
28	P4070011	1	LEVA	LEVER	LEVIER	HEBEL
29	P3020010	1	MOLLA	SPRING	RESSORT	FEDER
30	P4030011	2	CORPIRUOTA	WHEEL COVER	PROTECTION	ABDECKUNG
31	P2020070	2	BUSSOLA	BUSHING	DOUILLE	BUECHSE
32	P1010104	1	VITE	SCREW	VIS	SCHRAUBE
33	P2020062	2	COPRIMOZZO	COVER	COUVERCLE	DECKEL
34	1010018A1	2	VITE	SCREW	VIS	SCHRAUBE
35	1020007A1	2	RONDELLA	WASHER	RONDELLE	SCHEIBE
36	P2020078	2	COPERTONE	TYRE	PNEU	REIFEN
37	P2020081	2	CERCHIO	WHEEL HUB	JANTE	FELGE
38	P3030013	4	CUSCINETTO	BEARING	PALIER	LAGER
39	P2020088	2	DISTANZIALE	SPACER	DOUILLE	ABSTANDSSTUECK
40	P1020050	2	RONDELLA ELASTICA	SPRING WASHER	RONDELLE ÉLAST.	FEDERSCHLEIBE
41	P3050030	1	BUSSOLA SCANALATA	BUSHING	DOUILLE CANNELÉE	KEILHUELSE
42	P00038099	1	INNESTO	SELECTOR COLLAR	MANCHON	SCHALTBUECHSE
43	P00038199	1	CORONA	WORM WHEEL	ROUE POUR VIS S. FIN	SCHNECKENRAD
44	P3170014	1	OR	O RING	JOINT TORIQUE	GUMMIRING
45	P4110001	1	COPERCHIO	COVER	COUVERCLE	DECKEL
46	P1010076	4	VITE	SCREW	VIS	SCHRAUBE
47	P1080007	1	SPINA ELASTICA	PIN	GOUPILLE ÉLAST.	STIFT
48	1020020A1	2	SPESSORE	WASHER	RONDELLE	SCHEIBE
49	P1070008	1	SEEGER	CIRCLIP	SEEGER	SEEGER
50	P1020058	1	DISTANZIALE	SPACER	DOUILLE	ABSTANDSSTUECK
51	P1020051	1	SPESSORE	WASHER	RONDELLE	SCHEIBE
52	P1020053	1	SPESSORE	WASHER	RONDELLE	SCHEIBE
53	P1010076	1	VITE	SCREW	VIS	SCHRAUBE
54	P1020076	1	RONDELLA	WASHER	RONDELLE	SCHEIBE
55	P4030010	1	COPERCHIO MOLLA	SPRING COVER	COUVERCLE	FEDERHALTER
56	P3170010	1	PARAOLIO	OIL SEAL	JOINT D'ARBRE	WELLENDICHTRING
57	P1010075	1	VITE	SCREW	VIS	SCHRAUBE
58	1050003A1	1	DADO	NUT	ECROU	MUTTER
59	P3030010	1	CUSCINETTO	BEARING	PALIER	LAGER
60	P1020051	1	SPESSORE	WASHER	RONDELLE	SCHEIBE
61	P3170013	1	OR	O RING	JOINT TORIQUE	GUMMIRING
62	P3040042	1	VITE SENZA FINE	WORM GEAR	VIS S. FIN	SCHNECKE
63	P00015281	1	RUOTA COMPL.	WHEEL ASSY.	ROUE COMPL.	RAD KOMPL.
*	P00078665	1	RIDUTTORE COMPL.	GEAR BOX ASSY.	RÉDUCTION COMPL.	UNTERSETZUNGSGETRIEBE

Tav. 3

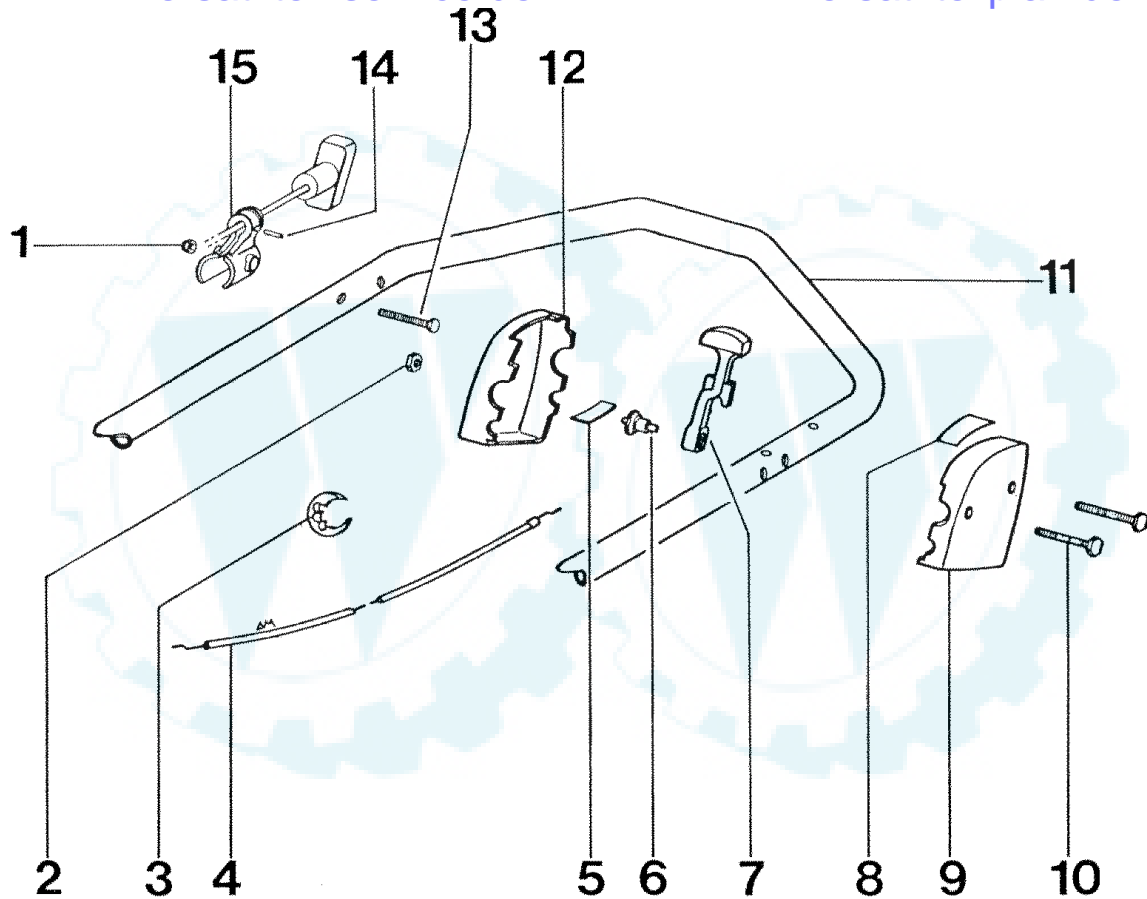
Vista assale posteriore ENDURO
 Rear axle ENDURO
 Essieu arrière ENDURO
 Hinterachse ENDURO



REF. N°	PART. N°	QTY	DESCRIZIONE	DESCRIPTION	DESCRIPTION	BESCHREIBUNG
1	P2020088	2	DISTANZIALE	SPACER	DOUILLE	ABSTANDSSTUECK
2	P1020050	2	RONDELLA ELASTICA	SPRING WASHER	RONDELLE ELAST.	FEDERSCHIBE
3	P1010090	4	VITE	SCREW	VIS	SCHRAUBE
4	P01033266	2	PIASTRINA	PLATE	PLAQUE	PLATTE
5	P01030067	1	ASSALE POST.	REAR AXLE	ESSIEU POST.	ACHSE
6	P00046166	1	LEVA POST.	REAR LEVER	LEVIER POST.	HEBEL
7	P2020077	1	POMELLO PER LEVA	KNOB	POIGNÉE	MUTTER
8	P1020058	1	DISTANZIALE	SPACER	DOUILLE	ABSTANDSSTUECK
9	P1070008	1	SEGER	CIRCLIP	SFEGGER	SFEGGER
10	P2020071	2	COPRIRUOTA	WHEEL COVER	PROTECTION	ABDECKUNG
11	P3030013	4	CUSCINETTO	BEARING	PAUER	LAGER
12	P2020079	2	CERCHIO	WHEEL HUB	JANTE	FELGE
13	P2020078	2	COPERTONE	TYRE	PNEU	REIFEN
14	102007A1	2	RONDELLA	WASHER	RONDELLE	SCHIBE
15	1010018A1	2	VITE	SCREW	VIS	SCHRAUBE
16	P2020062	2	COPRIMOZZO	COVER	COUVERCLE	DECKEL
17	P00015181	2	RUOTA COMPL.	WHEEL ASSY	ROUE COMPL.	RAD KOMPL.
18	P00015190	2	RUOTA COMPL.	WHEEL ASSY.	ROUE COMPL.	RAD KOMPL.
19	P2020088	2	DISTANZIALE	SPACER	DOUILLE	ABSTANDSSTUECK
20	P3040111	2	DISTANZIALE	SPACER	DOUILLE	ABSTANDSSTUECK

www.ersatzteil-service.de

www.ersatzteilplan.de



Ihr Ersatzteilspezialist im Internet

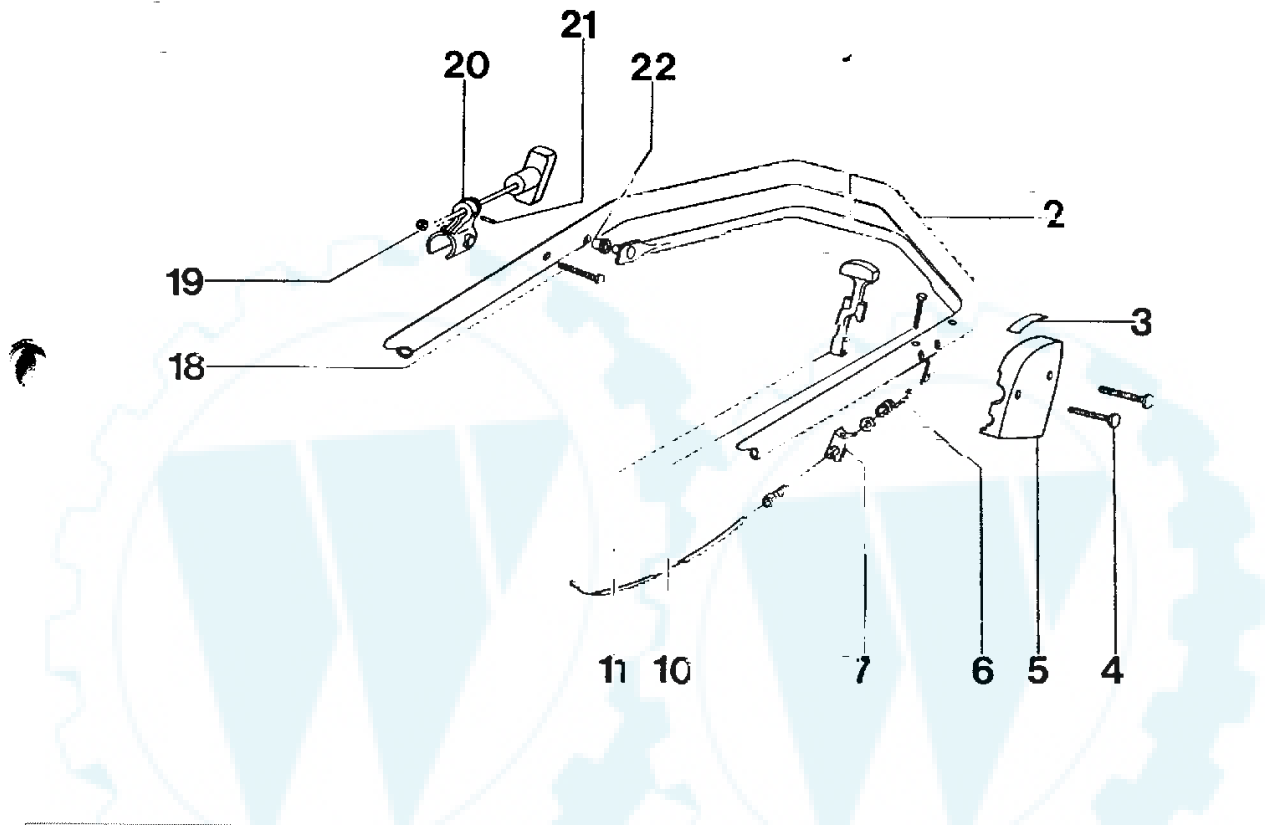
Tav. 5

Vista stegola superiore e comandi COUNTRY

Upper handle and controls COUNTRY

Mancheron partie supérieure et éléments de commande COUNTRY

Lenkeroberteil und Bedienungselemente COUNTRY



REF. N°	PART. N°	QTY	DESCRIZIONE	DESCRIPTION	DESCRIPTION	BESCHREIBUNG
1	P02042181	1	MANIGLIA TRAZIONE	TRACTION LEVER	LEVIER DE TRACTION	ANTRIEBSHEBEL
2	P02070143	1	STEGOLA SUPERIORE	UPPER HANDLEBAR	GUIDON SUP.	OB. FUHRUNGSHOLM
3	P5140515	1	DECALCO	DECAL	MARQUAGE	AUFKLEBER
3	P5140516	1	DECALCO	DECAL	MARQUAGE	AUFKLEBER
4	P1010102	2	VITE	SCREW	VIS	SCHRAUBE
5	P2020107	1	SEMI SCATOLA SX	HOUSING LEFT	BOITE GAUCHE	SCHALE L.
6	P5010030	1	CAVO TRAZIONE	TRACTION CABLE	CABLE DE TRACTION	ANTRIEBSKABEL
7	P4010060	1	PIASTRINA	PLATE	PLAQUE	PLATTE
8	1050003A1	1	DADO	NUT	ECROU	MUTTER
9	5040001A1	1	FASCETTA	CLAMP	BRIDE	RAPPBAND
10	P1010078	1	VITE	SCREW	VIS	SCHRAUBE
11	P00065099	1	LEVA	LEVER	LEVIER	HEBEL
12	P2020108	1	PERNO	BOLT	BOULON	STIFT
13	P4010059	1	MOLLA	SPRING	RESSORT	FEDER
14	P2020106	1	SEMISCATOLA DX	HOUSING RIGHT	BOITE DROITE	SCHALE R.
15	P5020032	1	CAVO ACC. x B&S QUANTUM	THROTTLE CABLE x B&S QUANTUM	CABLE DE GAZ x B&S QUANTUM	GASHEBEL x B&S QUANTUM
15	P2020027	1	CAVO ACC. x BVS	THROTTLE CABLE x BVS	CABLE DE GAZ x BVS	GASHEBEL x BVS
16	P2020080	1	FERMA CAVO	CLIP	CLIP	HALTER
17	1050003A1	2	DADO	NUT	ECROU	MUTTER
18	1010002A1	2	VITE	SCREW	VIS	SCHRAUBE
19	1050002A1	1	DADO	NUT	ECROU	MUTTER
20	P00064599	1	SUPPORTO	SUPPORT	SUPPORT	HALTER
21	P1080008	1	SPINA	PIN	GOUILLE	STIFT
22	P2020153	2	BUSSOLA	BUSHING	DOUILLE	BUECHSE
*	P00035099	1	SCATOLA ACC. COMP.	THROTTLE ASSY.	BOITE DE GAZ COMPL.	GASHEBEL KOMPL.

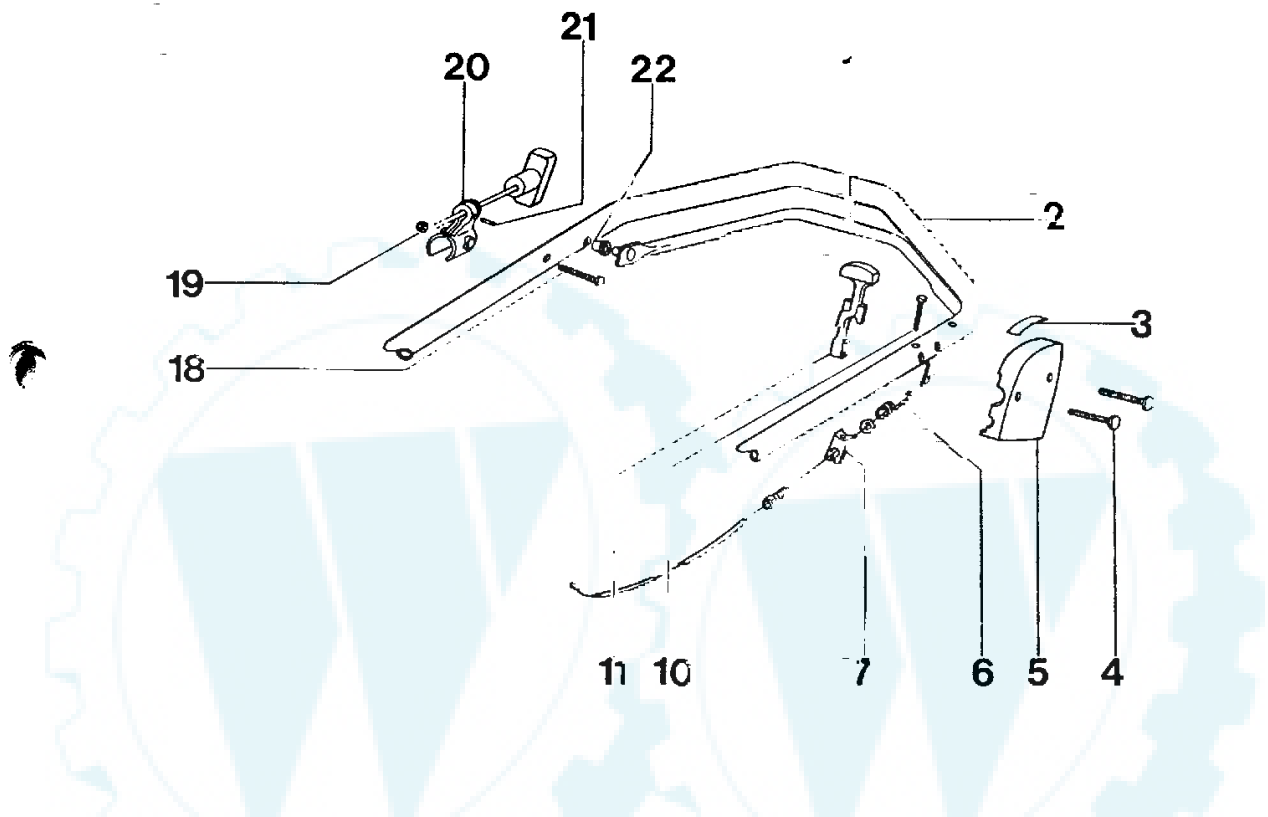
Tav. 5

Vista stegola superiore e comandi COUNTRY

Upper handle and controls COUNTRY

Mancheron partie supérieure et éléments de commande COUNTRY

Lenkeroberteil und Bedienungselemente COUNTRY



REF. N°	PART. N°	QTY	DESCRIZIONE	DESCRIPTION	DESCRIPTION	BESCHREIBUNG
1	P02042181	1	MANIGLIA TRAZIONE	TRACTION LEVER	LEVIER DE TRACTION	ANTRIEBSHEBEL
2	P02070143	1	STEGOLA SUPERIORE	UPPER HANDLEBAR	GUIDON SUP.	OB. FUHRUNGSHOLM
3	P5140515	1	DECALCO	DECAL	MARQUAGE	AUFKLEBER
3	P5140516	1	DECALCO	DECAL	MARQUAGE	AUFKLEBER
4	P1010102	2	VITE	SCREW	VIS	SCHRAUBE
5	P2020107	1	SEMI SCATOLA SX	HOUSING LEFT	BOITE GAUCHE	SCHALE L.
6	P5010030	1	CAVO TRAZIONE	TRACTION CABLE	CABLE DE TRACTION	ANTRIEBSKABEL
7	P4010060	1	PIASTRINA	PLATE	PLAQUE	PLATTE
8	1050003A1	1	DADO	NUT	ECROU	MUTTER
9	5040001A1	1	FASCETTA	CLAMP	BRIDE	RAPPBAND
10	P1010078	1	VITE	SCREW	VIS	SCHRAUBE
11	P00065099	1	LEVA	LEVER	LEVIER	HEBEL
12	P2020108	1	PERNO	BOLT	BOULON	STIFT
13	P4010059	1	MOLLA	SPRING	RESSORT	FEDER
14	P2020106	1	SEMISCATOLA DX	HOUSING RIGHT	BOITE DROITE	SCHALE R.
15	P5020032	1	CAVO ACC. x B&S QUANTUM	THROTTLE CABLE x B&S QUANTUM	CABLE DE GAZ x B&S QUANTUM	GASHEBEL x B&S QUANTUM
15	P2020027	1	CAVO ACC. x BVS	THROTTLE CABLE x BVS	CABLE DE GAZ x BVS	GASHEBEL x BVS
16	P2020080	1	FERMA CAVO	CLIP	CLIP	HALTER
17	1050003A1	2	DADO	NUT	ECROU	MUTTER
18	1010002A1	2	VITE	SCREW	VIS	SCHRAUBE
19	1050002A1	1	DADO	NUT	ECROU	MUTTER
20	P00064599	1	SUPPORTO	SUPPORT	SUPPORT	HALTER
21	P1080008	1	SPINA	PIN	GOUILLE	STIFT
22	P2020153	2	BUSSOLA	BUSHING	DOUILLE	BUECHSE
*	P00035099	1	SCATOLA ACC. COMP.	THROTTLE ASSY.	BOITE DE GAZ COMPL.	GASHEBEL KOMPL.

Tav. 1

Vista generale ENDURO-COUNTRY
Complete machine ENDURO-COUNTRY
Vus d'ensemble ENDURO-COUNTRY
Gesamtansicht ENDURO-COUNTRY

