

www.ersatzteil-service.de

www.ersatzteilplan.de

IBEA

Serie: dal n. 891501

Stampato n. P5090021

LISTA RICAMBI

SPARE PART LIST

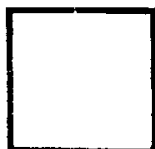
ERSATZTEILLISTE

LISTE DES PIECES DE RECHANGE



**TOSAERBA
SERIE 420**

**mod. ENDURO
mod. COUNTRY**



[Ihr Ersatzteilspezialist im Internet](#)

Ref. N°	Part. N°	Qty.	Descrizione	Description	Description	Beschreibung
1	P5140516	1	DECALCO	LABEL	MARQUAGE	AUFKLEBER
2	P5140515	1	DECALCO	LABEL	MARQUAGE	AUFKLEBER
3	P5140438	1	DECALCO	LABEL	MARQUAGE	AUFKLEBER
4	P5140458	1	DECALCO	LABEL	MARQUAGE	AUFKLEBER
5	P5140503	1	DECALCO	LABEL	MARQUAGE	AUFKLEBER
6	P5140109	1	DECALCO	LABEL	MARQUAGE	AUFKLEBER
7	P5140110	1	DECALCO	LABEL	MARQUAGE	AUFKLEBER
*	P5090016	1	MANUALE ISTRUZIONI	OPERATOR MANUAL	MODE D'EMPLOI	BEDIENUNGSANLEITUNG
*	P5110005	1	CHIAVE CANDELA B&S	KEY B&S	CLEF B&S	SCHLÜSSEL B&S
*	P5110008	1	CHIAVE CANDELA TECNA	KEY TECNA	CLEF TECNA	SCHLÜSSEL TECNA




2



3





<p>WARNING DANGER!</p> <p>Blade rotates when engine is running. Only use the mower with grass catcher in place or with safety chute door closed. Disconnect high tension wire from spark plug before performing any repairs or maintenance to the machine.</p>	<p>ATTENZIONE PERICOLO!</p> <p>La lama gira durante il motore in moto. Usare il mocio solo con il sacco di raccolta montato oppure con il portello di sicurezza chiuso. Prima di ogni riparazione o manutenzione, staccare il cavo di accensione dalla candela.</p>	<p>VORSICHT, GEFAHR!</p> <p>Rotierende Messer bei laufendem Motor benutzen. Sichern Mäher nur mit Rückschnitt oder Grasammele oder Sicherheitsnetz. Schutzhaube vor Reparatur oder Servicearbeiten an Mäher anbringen! Zündkerze vor Zündkerze entfernen!</p>	<p>ATTENTION DANGER!</p> <p>Couteau en rotation lorsque le mocio/manche. Ne pas utiliser le collecteur de avec le capot de protection fermé. Avant de faire une réparation ou des travaux de service à la tondeuse à roue, absolument arrêter le câble d'allumage de la bougie.</p>
---	--	--	--

5



6

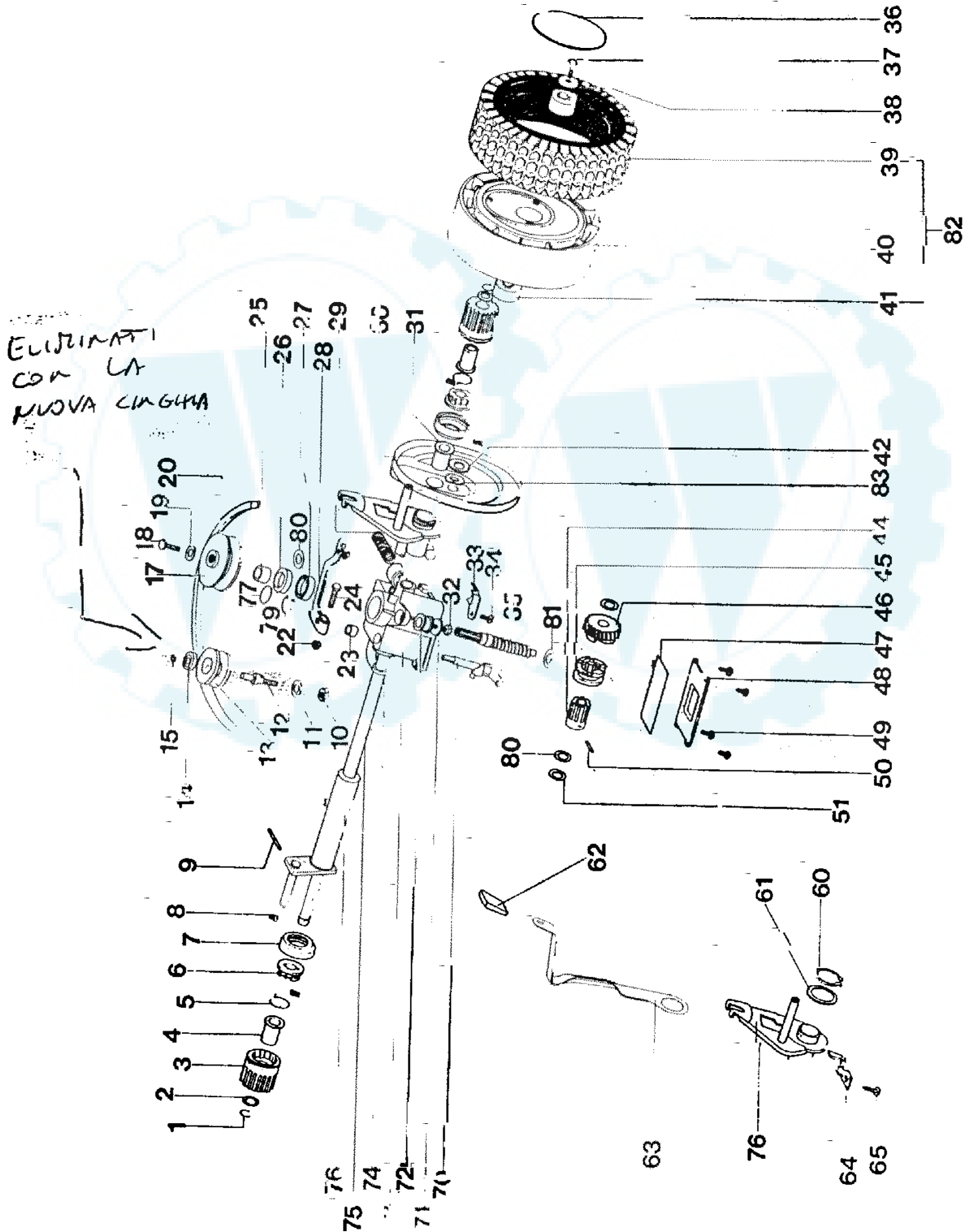


7

Ref. N°	Part. N°	Qty.	Descrizione	Description	Description	Beschreibung
	P01011066	1	TELAIO	BAG FRAME	MONTURE	
	P00012066	1	SACCO	BAG	SAC RAMASSE-GAZON	
	—	1	MOTORE	ENGINE	MOTEUR	
	P1050011	3	DADO	HEX NUT	ECROU	
	P5120028	1	PROTEZIONE MARMITTE BVS 143 - BVS 153 ES	MUFFLER SHIELD BVS 143 - BVS 153 ES	PROTECTION POUR BOÎTE D'ÉCHAPPEMENT BVS 143 - BVS 153 ES	
5	P5120027	1	PROTEZIONE MARMITTE QUANTUM	MUFFLER SHIELD QUANTUM	PROTECTION POUR BOÎTE D'ÉCHAPPEMENT QUANTUM	
6	—	—	VEDI TAV. 4-5-6	SEE FIG. 4-5-6	VOIR TABLE NR. 4-5-6	SIEHE BILD NR. 4-5-6
7	1010026A1	2	VITE	SCREW	VIS	SCHRAUBE
8	2020050A1	2	GALLETTO	KNOB	POIGNÉE	MUTTER
9	P2040012	2	GOMMINO	STRIP	JOINT	DICHTUNG
10	P02070266	2	STEGOLA INFERIORE	LOWER HANDLE BAR	GRUIDE INF.	LENKER UNTERTEIL
11	2020050A1	2	GALLETTO	KNOB	POIGNÉE	MUTTER
12	1020014A1	2	RONDELLA	WASHER	RONDELLE	SCHRAUBE
13	P2040011	2	GOMMINO	RUBBER TUBE	TUBE DE PROTECTION	SCHUTZHÜLLE
14	P3020011	1	MOLLA	SPRINE	RESSORT	FEDER
15	P01027066	1	ASTINA	SHAFT	ARBRE	ACHSE
16	P1060004	2	STARLOCK	STARLOCK	STARLOCK	SICHERUNGSSCHEIBE
17	P2020092	1	PORTELLO	SHIELD	PROTECTION	KLAPPE
20	P2020089	1	COPRICINGHIA	BELTGUARD	PROTECTION	RIEMENABDECKUNG
21	P1010061	2	VITE	SCREW	VIS	SCHRAUBE
22	P01032166	1	PIASTRA	PLATE	SEMELLE	VERSTÄRKUNG
23	P1020064	4	RIVETTO	RIVET	RIVET	FLACHKOPFNIE
24	P01032066	1	PIASTRA	PLATE	SEMELLE	VERSTÄRKUNG
25	P3040087	2	BUSSOLA	BUSHING	DOUILLE	BÜCHSE
26	P2020077	1	POMELLO	KNOB	POIGNÉE	ABDECKUNG
27	P00046066	1	LEVA	LEVER	LEVIER	HEBEL
28	P2020062	2	COPRIMOZZO	OUTER WHEEL COVER	COUVERCLE	RADDECKEL
29	1010018A1	2	VITE	SCREW	VIS	SCHRAUBE
30	1020007A1	2	RONDELLA	WASHER	RONDELLE	SCHIBE
31	P2020078	2	COPERTONE	TYRE	PNEU	REIFEN
32	P2020079	2	CERCHIO	RIM	JANTE	FELGE
33	P3030013	4	CUSCINETTI	BEARING	PALIER	LAGER
34	P2020071	2	COPRIRUOTA	WHEEL COVER	PROTECTION	ABDECKUNG
35	P2020088	2	DISTANZIALE	SPACER	DOUILLE	DISTANZBÜCHSE
36	P1020050	2	RONDELLA ELASTICA	SPRING WASHER	RONDELLE ÉLASTIQUE	FEDERSCHIBE
37	P1010088	1	VITE	SCREW	VIS	SCHRAUBE
38	1020015A1	1	RONDELLA	WASHER	RONDELLE	SCHIBE
39	P1020062	1	RONDELLA	WASHER	RONDELLE	SCHIBE
40	P4050020	1	LAMA	BLADE	COUTEAU	MESSER
41	P3040101	1	BUSSOLA LAMA Ø 25	BLADE BUSHING	DOUILLEDE COUTEAU	MESSERBÜCHSE
41	P3040102	1	BUSSOLA LAMA Ø 22,2	BLADE BUSHING	DOUILLEDE COUTEAU	MESSERBÜCHSE
42	P3040099	1	DISTANZIALE	SPACER	DOUILLE	DISTANZBÜCHSE
43	P1090003	1	CHIAVETTA QUANTUM	KEY QUANTUM	CLAVETTE QUANTUM	SCHLÜSSEL QUANTUM
43	1090001A1	1	CHIAVETTA BVS 143-153	KEY BVS 143-153	CLAVETTE BVS 143-153	SCHLÜSSEL BVS 143-153
44	P01030366	1	ASSALE ANTER	FRONT AXLE	ARBRE AVANT	ACHSE VORN
45	P3040086	2	PERNO	BOLT	BOULON	BOLZEN
46	P1010093	3	VITE×BVS	SCREW×BVS	VIS×BVS	SCHRAUBE×BVS
*	P1010094	2	VITE×QUANTUM	SCREW×QUANTUM	VIS×QUANTUM	SCHRAUBE×QUANTUM
47	P3040085	1	VITE×QUANTUM	SCREW×QUANTUM	VIS×QUANTUM	SCHRAUBE×QUANTUM
48	1020009A1	3	BUSSOLA	BUSHING	DOUILLE	BÜCHSE
49	P2020091	2	RONDELLA	WASHER	RONDELLE	SCHIBE
50	P02005066	2	DADO	HEX NUT	ECROU	MUTTER
51	P2020091	3	RONDELLA	WASHER	RONDELLE	SCHIBE
52	P02005066	3	BUSSOLA	BUSHING	DOUILLE	BÜCHSE
53	P00015181	1	SCOCCA	DECK	CHÂSSIS	GEHÄUSE
*	P00010066	—	RUOTA COMPLETA	WHEEL ASSY	ROVE COMPL.	RAD. COMPL.
		—	CESTELLO COMPLETO			

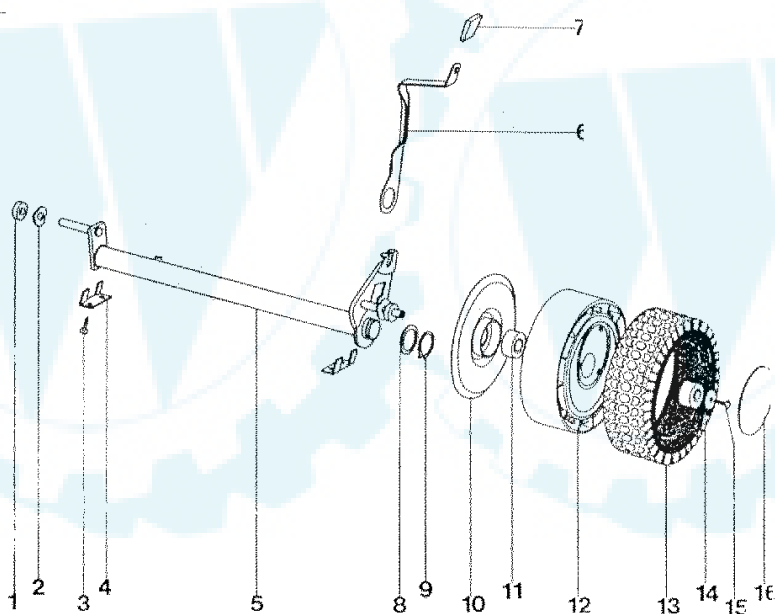
Tav. 2

Vista assale posteriore e riduttore COUNTRY
Rear axle and gear box COUNTRY
Essieu arrière et transmission COUNTRY
Hinterachse und Getriebe COUNTRY



Ref. N°	Part. N°	Qty.	Descrizione	Description	Description	Beschreibung
1	1070001A1	2	SEEGER	CIRCLIP	ANNEAU SEEGER	SEEGERRING
2	1020020A1	2	SPESSORE	SHIM WASHER	RONDELLE	AUSGLEICHSCHIBE
3	P3050031	2	PIGNONE	PINION	PIGNON	RITZEL
4	P2020059	2	BUSSOLA	BUSHING	DOUILLE	BÜCHSE
5	P3020012	2	MOLLA	SPRING	RESSORT	FEDER
6	P2100001	2	CRICCHETTO	DRIVER	ENTRAINEUR	MITNEHMER
7	P2020060	2	COPRIPIGNONE	CAGE	CAGE	KAFIG
8	P2110001	4	SALTERELLO	CAM	CLIQUET	NOCKEN
9	P1080004	2	SPINA	PIN	COUILLÉ	STIFT
10	P1050011	1	DADO	NUT	ECROU	MUTTER
11	1020008A1	1	RONDELLA	WASHER	RONDELLE	SCHIBE
12	P3040094	1	PERNO	BOLT	BOULON	BOLZEN
13	P3040063	1	PULEGGIA	PULLEY	POULIE	RIEMENSCHIBE
14	P3030014	1	CUSCINETTO	BEARING	PALIER	LAGER
15	P1060006	1	STARLOCK	STARLOCK	STARLOCK	SICHERUNGSSCHIBE
17	P3040048	1	PULEGGIA	PULLEY	POULIE	RIEMENSCHIBE
18	1010018A1	1	VITE	SCREW	VIS	SCHRAUBE
19	1020007A1	1	RONDELLA	WASHER	RONDELLE	SCHIBE
20	P3010013	1	CINGHIA	BELT	COURROIE	KEILRIEMEN
22	1050003A1	1	DADO	NUT	ECROU	MUTTER
23	P3170012	1	PARAOLIO	OIL SEAL	JOINT D'ARBRE	WELLENDICHRING
24	P1010075	1	VITE	SCREW	VIS	SCHRAUBE
25	P3040049	1	DISTANZIALE	SPACER	RONDELLE	DISTANZRING
26	P3170010	1	PARAOLIO	OIL SEAL	JOINT D'ARBRE	WELLENDICHRING
27	P3030010	1	CUSCINETTO	BEARING	POLIER	LAGER
28	P4070011	1	LEVA	LEVER	LEVIER	HEBEL
29	P3020010	1	MOLLA	SPRING	RESSORT	FEDER
30	P4030011	2	COPRIRUOTA	WHEEL COVER	PROTECTION	ABDECKUNG
31	P2020070	2	BUSSOLA	BUSHING	DOUILLE	BÜCHSE
32	P1010104	1	VITE 6x19	SCREW 6x19	VIS 6x19	SCHRAUBE 6x19
33	P4030010	1	COPERCHIO MOLLA	COVER	COUVERCLE	DECKEL
34	P1010076	1	VITE	SCREW	VIS	SCHRAUBE
35	P3040042	1	VITE SENZA FINE	WORM GEAR	VIS SANS FIN	SCHNECKE
36	P2020062	2	COPRIMOZZO	COVER	COUVERCLE	RADDECKEL
37	1010018A1	2	VITE	SCREW	VIS	SCHRAUBE
38	1020007A1	2	RONDELLA	WASHER	RONDELLE	SCHIBE
39	P2020078	2	COPERTONE	TYRE	PNEU	REIFEN
40	P2020081	2	GERCHIO	RIM	JANTE	FELGE
41	P3030013	4	CUSCINETTO	BEARING	PALIER	LAGER
42	P2020088	2	DISTANZIALE	SPACER	DOUILLE	DISTANZBÜCHSE
44	P3050030	1	BUSSOLA SCANALATA	BUSHING	DOUILLE CANNELÉE	KEILHÜLSE
45	P00038099	1	INNESTO	SELECTOR COLLAR	MANCHON	SCHALTMUFFE
46	P00038199	1	CORONA	WORM WHEEL	ROUE P. VIS S. FIN	SCHNECKENRAD
47	P3170014	1	OR	O-RING	JOINT TORIQUE	O-RING
48	P4110001	1	COPERCHIO	COVER	COUVERCLE	DECKEL
49	P1010076	4	VITE	SCREW	VIS	SCHRAUBE
50	P1080007	1	SPINA ELASTICA	CLAMPING SLEEVE	COUILLÉ ÉLAST.	SPANNHÜLSE
51	1020020A1	2	SPESSORE	SPACER	RONDELLE	SCHIBE
60	P1070008	1	SEEGER	CIRCLIP	ANNEAU SEEGER	SEEGERRING
61	P1020058	1	DISTANZIALE	SPACER	DOUILLE	DISTANZBÜCHSE
62	P2020077	1	PANNELLO PER LEVA	KNOB	POINGÉE	ABDECKUNG
63	P00046166	1	LEVA POSTERIORE	LEVER	LEVIER	HEBEL
64	P01033266	2	PIASTRINA	PLATE	PLAQUE	BLECH
65	P1010090	4	VITE	SCREW	VIS	SCHRAUBE
70	P3040041	1	FORCELLA INNESTO	FORK	FOURCHE	GABEL
71	P1020054	1	RONDELLA	WASHER	RONDELLE	SCHIBE
72	P2040010	1	GOMMINO	SHOCKABSORBEN	SILENT BLOCK	SILENTBLOCK
73	P00039099	1	SCATOLA	GEAR BOX HOUSING	BOÎTE À ENGRENAGES	GETRIEBEKASTEN
74	P3170011	2	PARAOLIO	OIL SEAL	JOINT D'ARBRE	WELLENDICHRING
75	P3040093	1	ALBERO	SHAFT	ARBRE	ACHSE
76	P01030065	1	ASSALE POSTERIORE	REAR AXLE	ARBRE ARRIÈRE	ACHSE HINTEN
77	P3170013	1	OR	O-RING	JOINT TORIQUE	O-RING
79	P1070004	1	SEEGER	CIRCLIP	ANNEAU SEEGER	SEEGERRING
80	P1020051	2	SPESSORE	SHIM WASHER	RONDELLE	AUSGLEICHSCHIBE
81	P1020053	1	SPESSORE	SHIM WASHER	RONDELLE	AUSGLEICHSCHIBE
82	P00015281	1	RUOTA COMPLETA	WHEEL ASSY	ROUE COMPL.	RAD. KOMPL.
83	P1020050	2	RONDELLA ELASTICA	SPRING WASHER	RONDELLE ELASTIQUE	FEDERSCHIBE
*	P00078265	1	RIDUTTORE COMPLETO			

Ref. N°	Part. N°	Qty.	Descrizione	Description	Description	Beschreibung
1	P2020088	2	DISTANZIALE	SPACER	DOUILLE	DISTANZBÜCHSE
2	P1020050	2	RONDELLA ELASTICA	SPRING WASHER	RONDELLE ÉLASTIQUE	FEDERSCHEIBE
3	P1010090	4	VITE	SCREW	VIS	SCHRAUBE
4	P01033266	2	PIASTRINA	PLATE	PLAQUE	BLECH
5	P01030067	1	ASSALE POSTERIORE	REAR AXLE	ARBRE ARRIÈRE	ACHSE HINTEN
6	P00046166	1	LEVA POSTERIORE	LEVER	LEVIER	HEBEL
7	P2020077	1	POMELLO PER LEVA	KNOB	POIGNÉE	ABDECKUNG
8	P1020058	1	DISTANZIALE	SPACER	DOUILLE	DISTANZBÜCHSE
9	P1070008	1	SEEGER	CIRCLIP	ANNEAU SEEGER	SEEGER RING
10	P2020071	2	COPRIRUOTA	WHEEL COVER	PROTECTION	RADDECKEL
11	P3030013	4	CUSCINETTO	BEARING	PALIER	LAGER
12	P2020079	2	CERCHIO	RIM	JANTE	FELGE
13	P2020078	2	COPERTONE	TYRE	PNEU	REIFEN
14	102007A1	2	RONDELLA	SPACER	RONDELLE	SCHEIBE
15	1010018A1	2	VITE	SCREW	VIS	SCHRAUBE
16	P2020062	2	COPRIMOZZO	COVER	COUVERCLE	RADDECKEL
*	P00015181	2	RUOTA COMPLETA	WHEEL ASSY	ROUE COMPL.	RAD KOMPL.



Tav. 3

Vista assale posteriore ENDURO

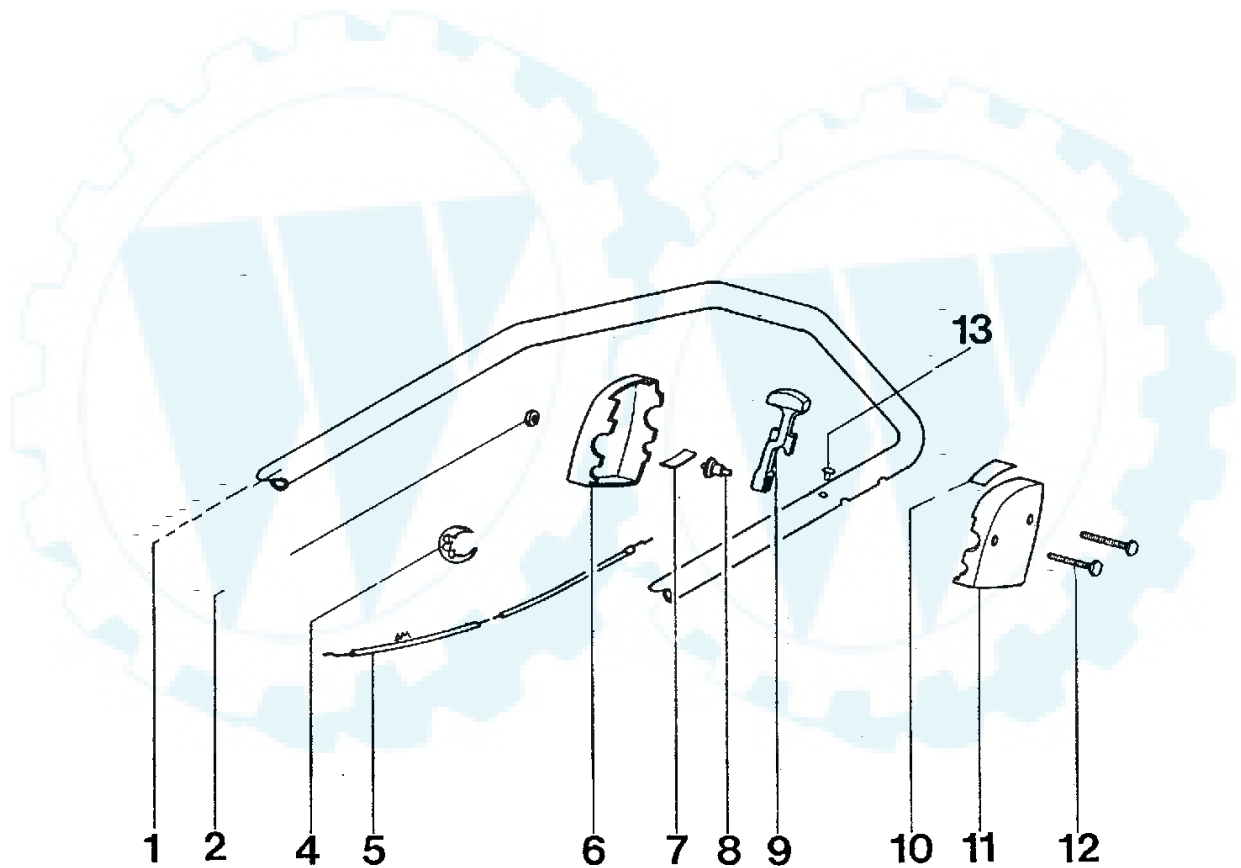
Rear axle ENDURO

Essieu arrière ENDURO

Hinterachse ENDURO

Ref. N°	Part. N°	Qty.	Descrizione	Description	Description	Beschreibung
1	P02070161	1	STEGOLE SUP.	LOWER HANDLE BAR	GRUIDE	LENKER UNTERTEIL
2	P1050007	2	DADO M6	HEX NUT	ECROU	MUTTER
4	P2020080	1	FERMO CAVO	CLIP	CLIP	HALTER
5	P5020028	1	CAVO ACC. x4201	CABLE x4201	CABLE x4201	KABEL x4201
5	P5020027	1	CAVO ACC. x4203	CABLE x4203	CABLE x4203	KABEL x4203
6	P2020106	1	SEMISCATOLA DX.	SHELL	BOÎTE	SCHALE
7	P4010059	1	MOLLA	SPRING	RESSORT	FEDER
8	P2020108	1	PERNO	BOLT	BOULON	BOLZEN
9	P00065099	1	LEVA	LEVER	LEVIER	HEBEL
10	P5140516	1	DECALCO	STICKER	ETIQUETTE	AUFKLEBER
10	P5140515	1	DECALCO	STICKER	ETIQUETTE	AUFKLEBER
11	P2020107	1	SEMISCATOLA SX.	SHELL	BOÎTE	SCHALE
12	P1010102	2	VITE 6x35	SCREW 6x35	VIS 6x35	SCHRAUBE 6x35
13	5060001A1	1	TAPPINO	TAP	BOUCHON	STOPFEN
*	P00035099	—	SCATOLA ACC. COMPLETA	ACC. ASSY	ACCELERATEUR COMPL.	GASHEBEL KOMPL.

P502032 CAVO ACC. 4211



Tav. 4

Vista stegola superiore e comandi ENDURO

Upper handle and controls ENDURO

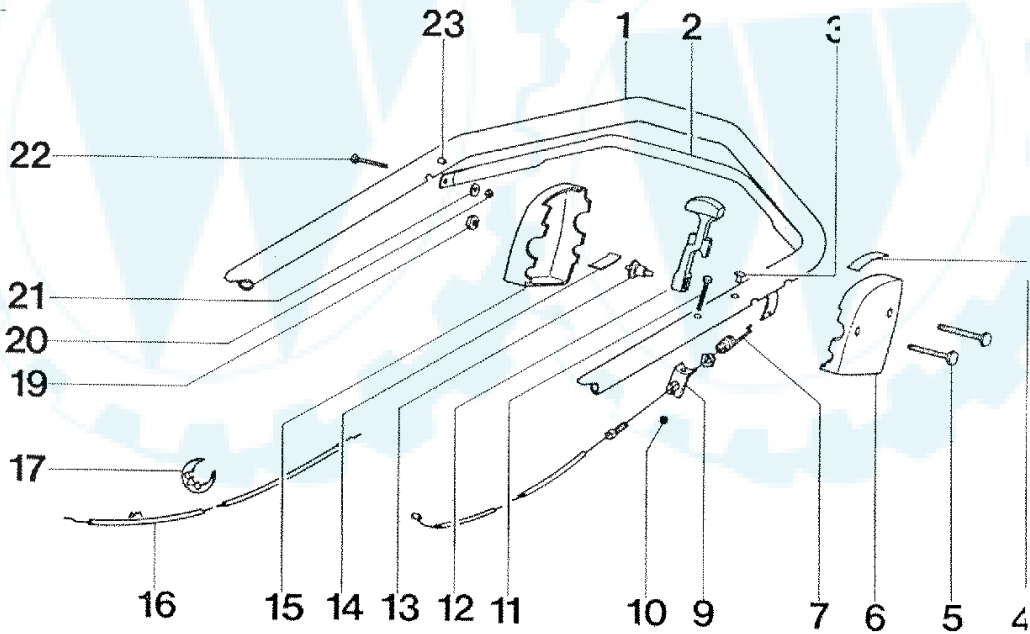
Mancheron partie supérieur et éléments de commande ENDURO

Lenkeroberteil und Bedienungselemente ENDURO

Ihr Ersatzteilspezialist im Internet

Ref. N°	Part. N°	Qty.	Descrizione	Description	Description	Beschreibung
1	P02070161	1	STEGOLA SUP.	UPPER HANDLE BAR	GUIDON	LENKER OBERTEIL
2	P02042081	1	MANIGLIA	LEVER	LEVIER	HEBEL
3	5060001A1	1	TAPPINO	TAP	BOUCHON	STOPFEN
4	P5140516	1	DECALCO	STICKER	ETIQUETTE	AUFKLEBER
4	P5140515	1	DECALCO	STICKER	ETIQUETTE	AUFKLEBER
5	P1010102	2	VITE	SCREW	VIS	SCHRAUBE
6	P2020107	1	SEMISCATOLA SX.	SHELL	BOÎTE	SCHALE
7	P5010014	1	CAVO TRAZIONE	TRACTION CABLE	CABLE TRACTION	KABELFAHRANTRIEB
9	P4010060	1	PIASTRINA	PLATE	PLAQUE	BLECH
10	1050003A1	1	DADO	NUT	ECROU	MUTTER
11	P1010078	1	VITE	SCREW	VIS	SCHRAUBE
12	P00065099	1	LEVA	LEVER	LEVIER	HEBEL
13	P2020108	1	PERNO	BOLT	BOULON	BOLZEN
14	P4010059	1	MOLLA	SPRING	RESSORT	FEDER
15	P2020106	1	SEMISCATOLA DX	SHELL	BOÎTE	SCHALE
16	P5020028	1	CAVO ACC. 4207	CABEL 4207	CABLE 4207	KABEL 4207
17	P2020080	2	FERMO CAVO	CLIP	CLIP	HALTER
19	P1050007	2	DADO	NUT	ECROU	MUTTER
20	1050002A1	2	DADO	NUT	ECROU	MUTTER
21	P1020055	2	RONDELLA	WASHER	RONDELLE	SCHIBE
22	1010002A1	2	VITE	SCREW	VIS	SCHRAUBE
23	P2020076	2	DISTANZIALE	SPACER	RONDELLE	DISTANZRING
*	P00035099	—	SCATOLA ACC. COMPLETA	ACC. ASSY	ACCELERATEUR COMPL.	GASHEBEL KOMPL.

105223A



Tav. 5

Vista stegola superiore e comandi COUNTRY

Upper handle and control COUNTRY

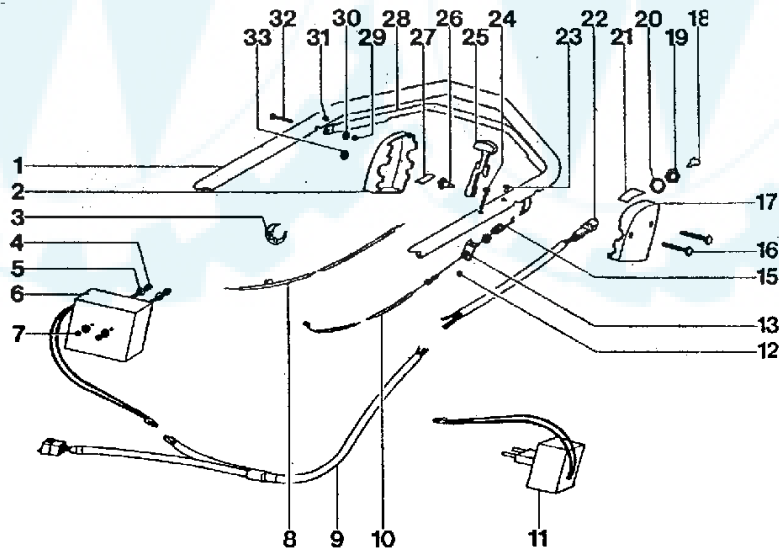
Mancheron partie supérieure et éléments de commande COUNTRY

Lenkeroberteil und Bedienungselemente COUNTRY

Ihr Ersatzteilspezialist im Internet

Ref. N°	Part. N°	Qty.	Descrizione	Description	Description	Beschreibung
1	P02070161	1	STEGOLA SUPERIORE	UPEPR HANDLE BAR	GUIDON	LENKER OBERTEIL
2	P2020106	1	SEMISCATOLA DX.	SHELL	BOÎTE	SCHALE
3	P2020080	2	FERMOCAVO	CLIP	CLIP	HALTER
4	P1010077	2	VITE	SCREW	VIS	SCHRAUBE
5	P1020055	2	RONDELLA	WASHER	RONDELLE	SCHEIBE
6	P5030008	1	BATTERIA	BATTERY	BATTERIE	BATTERIE
7	1050002A1	2	DADO	NUT	ECROU	MUTTER
8	P5020027	1	CAVO ACC. 4213	CABEL 4213	CABLE 4213	KABEL 4213
9	P5030006	1	CAVO ELETTRICO	EL. CABLE	CABLE EL.	EL. KABEL
10	P5010014	1	CAVO TRAZIONE	CABLE	CABLE	KABEL
11	P5030009	1	CARICA BATTERIA	CHARGER	CHARGEUR	CADEGERÄT
12	1050003A1	1	DADO	NUT	ECROU	MUTTER
13	P4010060	1	PIASTRINA	PLATE	PLAQUE	BLECH
14	---	---	---	---	---	---
15	---	---	---	---	---	---
16	P1010102	2	VITE	SCREW	VIS	SCHRAUBE
17	P2020107	1	SEMISCATOLA SX.	SHELL	BOÎTE	SCHALE
18	P5030011	1	CHIAVE	KEY	CLEF	SCHLÜSSEL
19	---	---	---	---	---	---
20	---	---	---	---	---	---
21	P5140516	1	DECALCO	STICKER	MARQUAGE	AUFKLEBER
22	P5030010	1	BLOCCHETTO COMPLETO	CABLE ASSY	CABLE COMPL.	KABEL KOMPL.
23	5060001A1	1	TAPPINO	TAP	BOUCHON	STOPFEN
24	P1010078	1	VITE	SCREW	VIS	SCHRAUBE
25	P00065099	1	LEVA	LEVER	LEVIER	HEBEL
26	P2020108	1	PERNO	BOLT	BOULON	BOLZEN
27	P4010059	1	MOLLA	SPRING	RESSORT	FEDER
28	P02042081	1	MANIGLIA	HANDLE	LEVIER	GRIFF
29	1050002A1	2	DADO	NUT	ECROU	MUTTER
30	P1020055	2	RONDELLA	WASHER	RONDELLE	SCHEIBE
31	P2020076	2	DISTANZIALE	SPACER	RONDELLE	DISTANZRING
32	1010002A1	2	VITE	SCREW	VIS	SCHRAUBE
33	P1050007	2	DADO	NUT	ECROU	MUTTER
*	P00035099	---	SCATOLA ACC. COMPLETA	E-START ASSY	E-START COMPL.	E-START KOMPL.

105003A1



Tav. 6

Vista stegola superiore e comandi COUNTRY ELECTRIC START

Upper handle and controls COUNTRY ELECTRIC START

Mancheron partie supérieure et éléments de commande

COUNTRY ELECTRIC START

Lenkeroberteil und Bedienungselemente COUNTRY ELECTRIC START

Tav. 1

Vista generale ENDURO-COUNTRY
Complete machine ENDURO-COUNTRY
Vue d'ensemble ENDURO-COUNTRY
Gesamtansicht ENDURO-COUNTRY

