

PARTS LIST

POWER SPRAYER

NS531

NOTE :

1. Use KOMATSU ZENOAH genuine parts as specified in the parts list for repair and/or replacement.
2. KOMATSU ZENOAH does not warrant the machines, which have been damaged by the use of any parts other than those specified by the company.
3. When placing parts orders for repair and/or replacement, check if the model name and the serial number are applicable to those specified in the parts list, then use parts number described in the parts list.
4. The contents described in the parts list are accurate as of July 1997 and may change due to improvement.
5. The parts for the machine shall be supplied ten (10) years after the machine is discontinued. [It is possible that some specific parts may be subject to change of their delivery term and list price within the limit of ten (10) years after the machine is discontinued. It is also possible that some parts may be available even after the limit of ten (10) years.]

NS531

Fig.1 FRAME and TANK GROUP

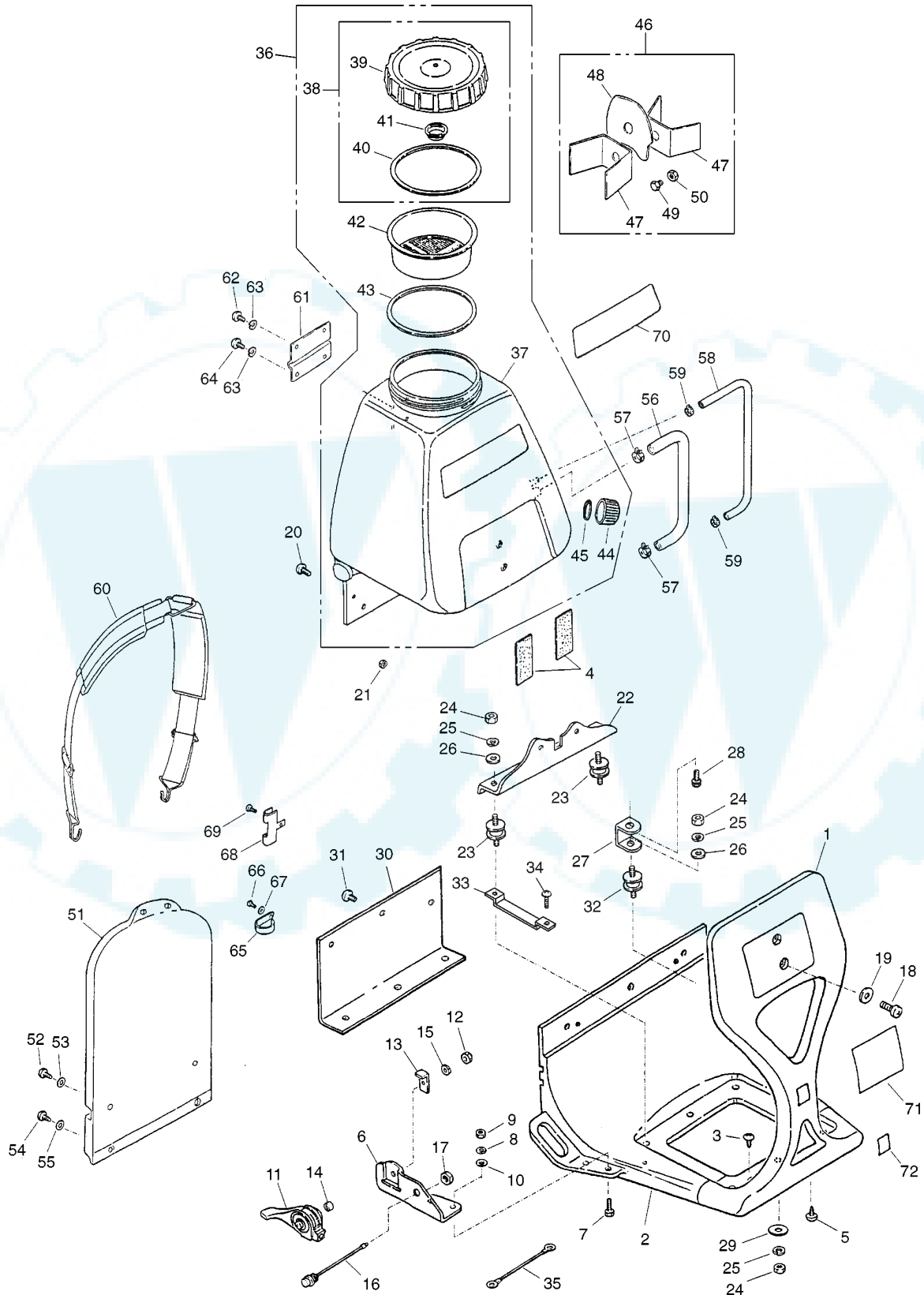


Fig.1 FRAME and TANK GROUP

Key#	PART NUMBER	DESCRIPTION	Q'TY /UNIT	NOTE	Key#	PART NUMBER	DESCRIPTION	Q'TY /UNIT	NOTE
1	2463-21110	FRAME, flont	1		57	2463-25420	CLIP	2	
2	2463-21120	FRAME, base	1		58	2463-25430	HOSE	1	
3	2463-21130	SCREW	2		59	2463-25440	CLIP	2	
4	2463-21140	DUMPER, sponge	2		60	2463-25501	HARNES ASSY	1	
5	2463-21150	SCREW	1		61	2463-25610	BRACKET	1	
6	2463-21210	BRACKET	1		62	2463-25320	SCREW	2	M6x10
7	0225-00616	BOLT	2		63	01602-20619	WASHER	4	
8	01602-20619	WASHER	2		64	2463-25630	SCREW	2	M6x12
9	0280-10605	NUT	2		65	2463-25640	BAND	1	
10	01641-20608	WASHER	2		66	2463-25650	SCREW	1	
11	5542-82200	THROTTLE LEVER	1		67	01601-20513	WASHER	1	
12	0280-10504	NUT	1		68	2463-25660	BAND	1	
13	2463-21220	STOPPER	1		69	2463-25670	SCREW	1	
14	2463-21230	COLLAR	1		70	T4014-25710	LABEL	1	
15	01601-20513	WASHER	1		71	T4014-25720	LABEL	1	
16	2463-21310	SWITCH	1		72	2463-25740	LABEL	1	
17	2463-21320	NUT	1						
18	2463-21410	SCREW	2						
19	2463-21420	WASHER	2						
20	2463-21430	SCREW	3						
21	2463-21440	NUT	3						
22	2463-21510	BASE	1						
23	2463-21520	DUMPER	2						
24	2463-21530	NUT	6						
25	2463-21540	WASHER	6						
26	2463-21550	WASHER	3						
27	2463-21560	BASE, engine	1						
28	2463-21570	BOLT	1						
29	2463-21580	WASHER	3						
30	2463-21610	COVER, frame	1						
31	2463-21620	SCREW	6						
32	2463-21630	DUMPER	1						
33	T4014-25750	PLATE	2						
34	T4014-25760	SCREW	2						
35	5542-73200	CORD COMP	1						
36	2463-25000	TANK ASSY	1						
37	2463-25110	• TANK	1						
38	2463-25200	• CAP ASSY	1						
39	2463-25210	•• CAP	1						
40	2463-25220	•• PACKING	1						
41	2463-25230	•• BREATHER	1						
42	2463-25240	•• STRAINER	1						
43	2463-25250	•• PACKING	1						
44	2463-25260	•• CAP, drain	1						
45	2463-25270	•• PACKING	1						
46	2463-25900	PLATE ASSY	1						
47	2463-25910	• PLATE, side	2						
48	2463-25920	• PLATE, center	1						
49	2463-25930	• BOLT	1						
50	2463-25940	• NUT	1						
51	2463-25311	PAD	1						
52	2463-25320	SCREW	2	M6x10					
53	01641-20608	WASHER	2						
54	2463-25330	SCREW	2	M5x16					
55	01641-20608	WASHER	2						
56	2463-25410	HOSE, intake	1						

NS531

Fig.2 PUMP and NOZZLE GROUP

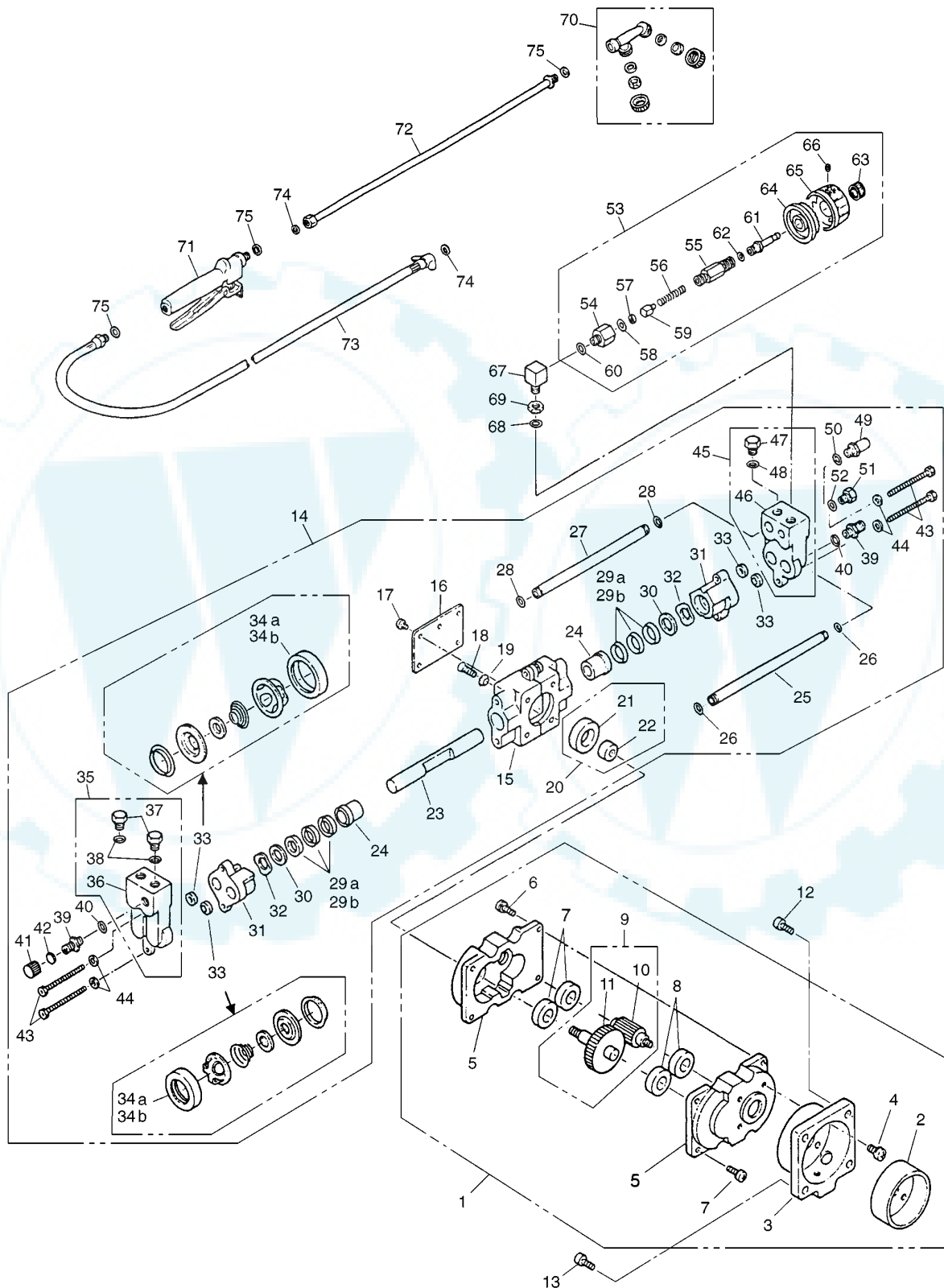


Fig.2 PUMP and NOZZLE GROUP

Key#	PART NUMBER	DESCRIPTION	Q'TY /UNIT	NOTE	Key#	PART NUMBER	DESCRIPTION	Q'TY /UNIT	NOTE
1	T4014-11000	CASE ASSY	1		55	2463-13120	• GOVERNOR	1	
2	2463-11110	• DRUM, clutch	1		56	2463-13130	• SPRING	1	
3	2463-11120	• CASE, clutch	1		57	2463-13140	• SHEET	1	
4	2463-11140	• SCREW	4	M5x12	58	2463-13150	• PACKING	1	
5	T4014-11210	• CASE, gear	2		59	2463-13160	• VALVE	1	
6	2463-11230	• SCREW	4		60	2463-13170	• PACKING	1	
7	2463-11240	• BEARING	2		61	2463-13180	• STOPPER	1	
8	2463-11250	• BEARING	2		62	2463-13190	• PACKING	1	
9	2463-11300	• GEAR SET	1		63	2463-13210	• KNOB, for dial	1	
10	2463-11310	•• PINION	1		64	2463-13220	• PANEL	1	
11	2463-11320	•• GEAR, large	1		65	2463-13230	• DIAL, for pressure	1	
12	T4014-11130	BOLT	4		66	2463-13240	• SCREW	1	
13	T4014-11130	BOLT	2		67	2463-13310	ELBOW	1	
14	T4014-12000	PUMP ASSY	1		68	2463-13320	PACKING	1	
15	T4014-12110	• CRANKCASE	1		69	2463-13330	NUT	1	
16	T4014-12120	• COVER	1		70	T4014-25800	NOZZLE ASSY	1	
17	2463-12130	• SCREW	4	M5x6	71	2463-25850	COCK	1	
18	T4014-12140	• SCREW	4		72	2463-25860	PIPE	1	600mm
19	2463-12150	• WASHER	4		73	2463-25870	HOSE	1	D6.5x1.25mm
20	T4014-12200	• CAM SET	1		74	2463-25880	PACKING	2	
21	T4014-12210	•• BEARING	1		75	2463-25890	PACKING	3	
22	T4014-12220	•• CAM	1						
23	T4014-12310	• PLUNGER	1						
24	2463-12320	• GUIDE	2						
25	T4014-12330	• PIPE, discharge	1						
26	T4014-12410	• RING	2						
27	T4014-12340	• PIPE, intake	1						
28	T4014-12420	• RING	2						
29a	2463-12430	• PACKING	6						
29b	2463-12460	• PACKING, fluorine	6	OP					
30	2463-12440	• PACKING	2						
31	T4014-12450	• CASE, packing	2						
32	2463-12350	• WASHER	2						
33	T4014-12500	• VALVE ASSY	4						
34a	2463-12560	•• PACKING	4						
34b	2463-12570	•• PACKING, fluorine	4	OP					
35	T4014-12600	• HEAD, left ASSY	1						
36	T4014-12610	•• HEAD, left	1						
37	2463-12660	•• PLUG	2						
38	2463-12670	•• PACKING	2						
39	2463-12620	• NIPPLE, discharge	2						
40	2463-12630	• PACKING	2						
41	2463-12640	• CAP	1						
42	2463-12650	• PACKING	1						
43	T4014-12680	• BOLT	4						
44	T4014-12690	• WASHER	4						
45	T4014-12700	• HEAD, right ASSY	1						
46	T4014-12710	•• HEAD, right	1						
47	2463-12660	•• PLUG	1						
48	2463-12670	•• PACKING	1						
49	2463-12720	• NIPPLE, intake	1						
50	2463-12730	• PACKING	1						
51	2463-12660	• PLUG	1						
52	2463-12670	• PACKING	1						
53	2463-13000	PRESSURE GOVERNOR ASSY	1						
54	2463-13110	• JOINT	1						

NS531

Fig.3 ENGINE GROUP

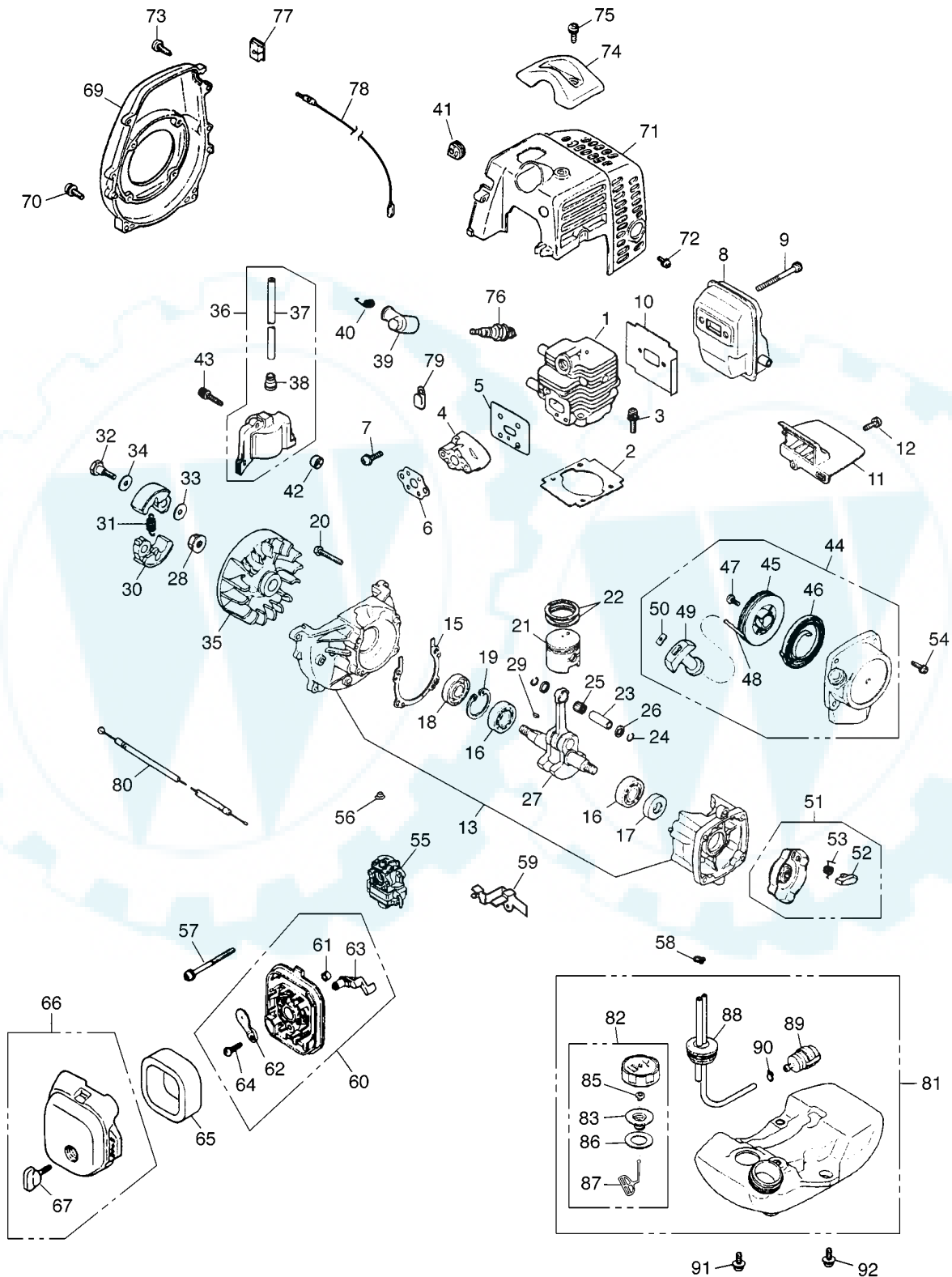


Fig.3 ENGINE GROUP

Key#	PART NUMBER	DESCRIPTION	Q'TY /UNIT	NOTE	Key#	PART NUMBER	DESCRIPTION	Q'TY /UNIT	NOTE
1	5500-12110	CYLINDER	1		63	5500-82140	• LEVER, choke	1	
2	5500-12213	GASKET, base	1		64	2630-33610	• SCREW, tapping	1	ø4
3	1850-12130	BOLT	2	M5x22	65	5500-82171	ELEMENT	1	
4	5500-13163	INSULATOR	1		66	5600-82203	COVER ASS'Y	1	
5	5500-13121	GASKET, insulator	1		67	5500-82221	• KNOB	1	
6	5500-13131	GASKET, carburetor	1		69	5501-31111	COVER	1	
7	0263-90520	SCREW	2	M5x20	70	0263-90520	SCREW	4	M5x20
8	5580-15110	MUFFLER	1		71	5580-32112	COVER	1	
9	01252-30550	BOLT	2	M5x50	72	1850-32160	SCREW	1	M4x12
10	5910-15211	GASKET	1		73	1900-31410	SCREW, tapping	2	ø4
11	5500-15221	PLATE	1		74	5550-32210	GUARD	1	
12	0263-90416	SCREW	1	M4x16	75	0263-90514	SCREW	1	M5x14
13	5500-21100	CRANKCASE-C	1		76	5535-73110	PLUG	1	NGK BPMR6A
15	5500-21141	GASKET	1		77	1852-72121	GROMMET	1	
16	06030-06001	BEARING	2		78	5601-73200	CORD-C	1	
17	2169-21210	SEAL	1		79	1140-72231	CLAMP	1	
18	1850-21220	SEAL	1		80	5580-83100	CABLE-C	1	
19	04065-02812	SNAP RING	1		81	5912-85004	TANK ASS'Y	1	
20	01252-30530	BOLT	4	M5x30	82	5607-85201	• CAP ASS'Y	1	
21	5600-41111	PISTON	1		83	5601-85300	•• HOLDER	1	
22	1100-41210	RING	2		85	5601-85260	•• FILTER	1	
23	1101-41310	PIN	1		86	5500-85220	•• PACKING	1	
24	1260-41320	RING	2		87	4820-85260	•• STOPPER	1	
25	5500-41410	BEARING	1		88	5911-85300	• PIPE COMP.	1	
26	1101-41340	WASHER	2		89	5500-85400	• FILTER ASS'Y	1	
27	5500-42001	CRANKSHAFT-C	1		90	1260-85460	• CLIP	1	
28	1650-43230	NUT, with washerface	1	M8	91	5500-85510	SCREW	2	M5x16
29	1000-43240	KEY	1		92	5910-85510	SCREW	1	
30	1140-51111	SHOE	2						
31	1970-51221	SPRING	1						
32	1140-51250	SCREW	2						
33	1140-51230	WASHER	2						
34	1970-51241	WASHER	2						
35	5501-71110	ROTOR	1						
36	5501-71201	COIL-A	1						
37	5500-71220	• CORD	1						
38	2616-71320	• CAP	1						
39	5500-72110	CAP	1						
40	1900-72120	SPRING	1						
41	5500-72130	GROMMET	1						
42	1260-71261	SPACER	2						
43	3310-72150	BOLT	2	M4x25					
44	5500-75100	RECOIL ASS'Y	1						
45	1850-75120	• REEL	1						
46	1850-75130	• SPRING	1						
47	1850-75151	• SCREW	1						
48	1850-75160	• ROPE	1						
49	1140-75320	• KNOB	1						
50	5500-75170	• PLATE	1						
51	1850-75201	PULLEY ASS'Y	1						
52	1850-75221	• RATCHET	1						
53	1850-75230	• SPRING	1						
54	0263-90416	SCREW	4	M4x16					
55	T1096-81000	CARBURETOR ASS'Y	1	WYL-146					
56	1601-81810	CAP	1						
57	0263-90560	SCREW	2	M5x60					
58	1950-86120	CLIP	1						
59	5850-83220	BRACKET	1						
60	5500-82102	BODY ASS'Y	1						
61	1970-82190	• SLEEVE	2						
62	5500-82131	• PLATE, choke	1						

NS531

Fig.4 CARBURETOR GROUP

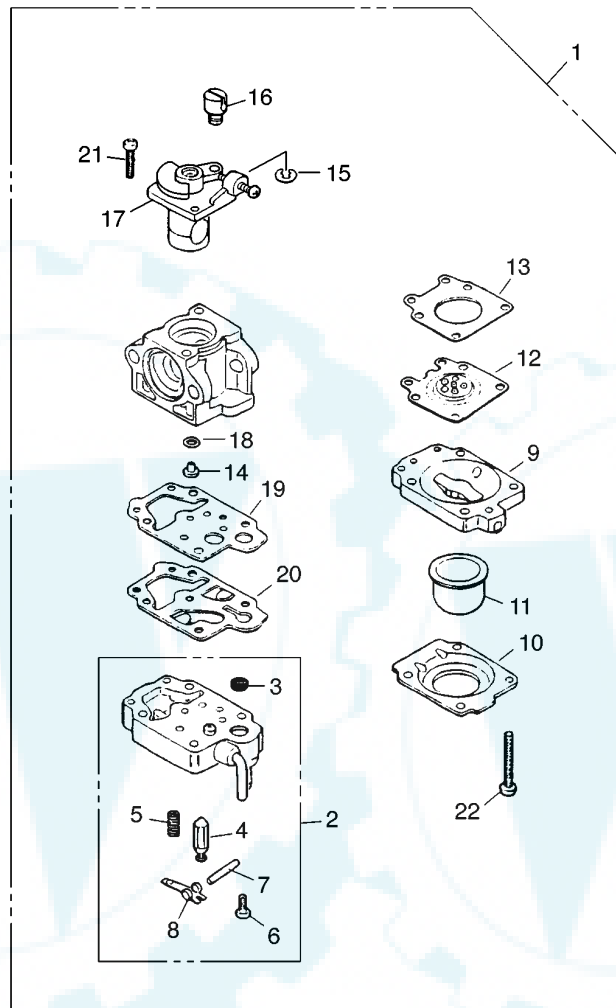


Fig.5 TOOL

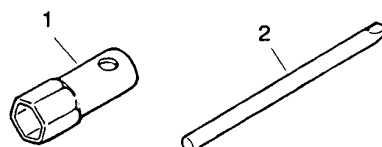


Fig.4 CARBURETOR GROUP

Key#	PART NUMBER	DESCRIPTION	Q'TY /UNIT	NOTE	Key#	PART NUMBER	DESCRIPTION	Q'TY /UNIT	NOTE
1	T1096-81000	CARBURETOR ASS'Y	1	WYL-146					
2	1850-81450	• BODY ASS'Y	1						
3	3306-81380	•• SCREEN	1						
4	3356-81310	•• VALVE	1						
5	1850-81270	•• SPRING	1						
6	1850-81220	•• SCREW	1						
7	3310-81250	•• PIN	1						
8	3310-81230	•• LEVER	1						
9	1850-81490	• BODY, purge	1						
10	1850-81520	• COVER, pump	1						
11	1751-81510	• PUMP, priming	1						
12	3310-81260	• DIAPHRAGM	1						
13	1850-81470	• GASKET, diaphragm	1						
14	5628-81250	• JET	1	#37					
15	1751-81130	• RING	1						
16	1881-81140	• SWIVEL	1						
17	T1600-81150	• VALVE ASS'Y	1						
18	1751-81240	• O-RING	1						
19	1065-81410	• GASKET, pump	1						
20	1065-81420	• DIAPHRAGM, pump	1						
21	5850-81110	• SCREW	2						
22	1850-81530	• SCREW	4						

Fig.5 TOOL

Key#	PART NUMBER	DESCRIPTION	Q'TY /UNIT	NOTE	Key#	PART NUMBER	DESCRIPTION	Q'TY /UNIT	NOTE
1	1110-91320	SOCKET	1						
2	3582-91330	BAR	1						