

PARTS LIST

BRUSHCUTTERS

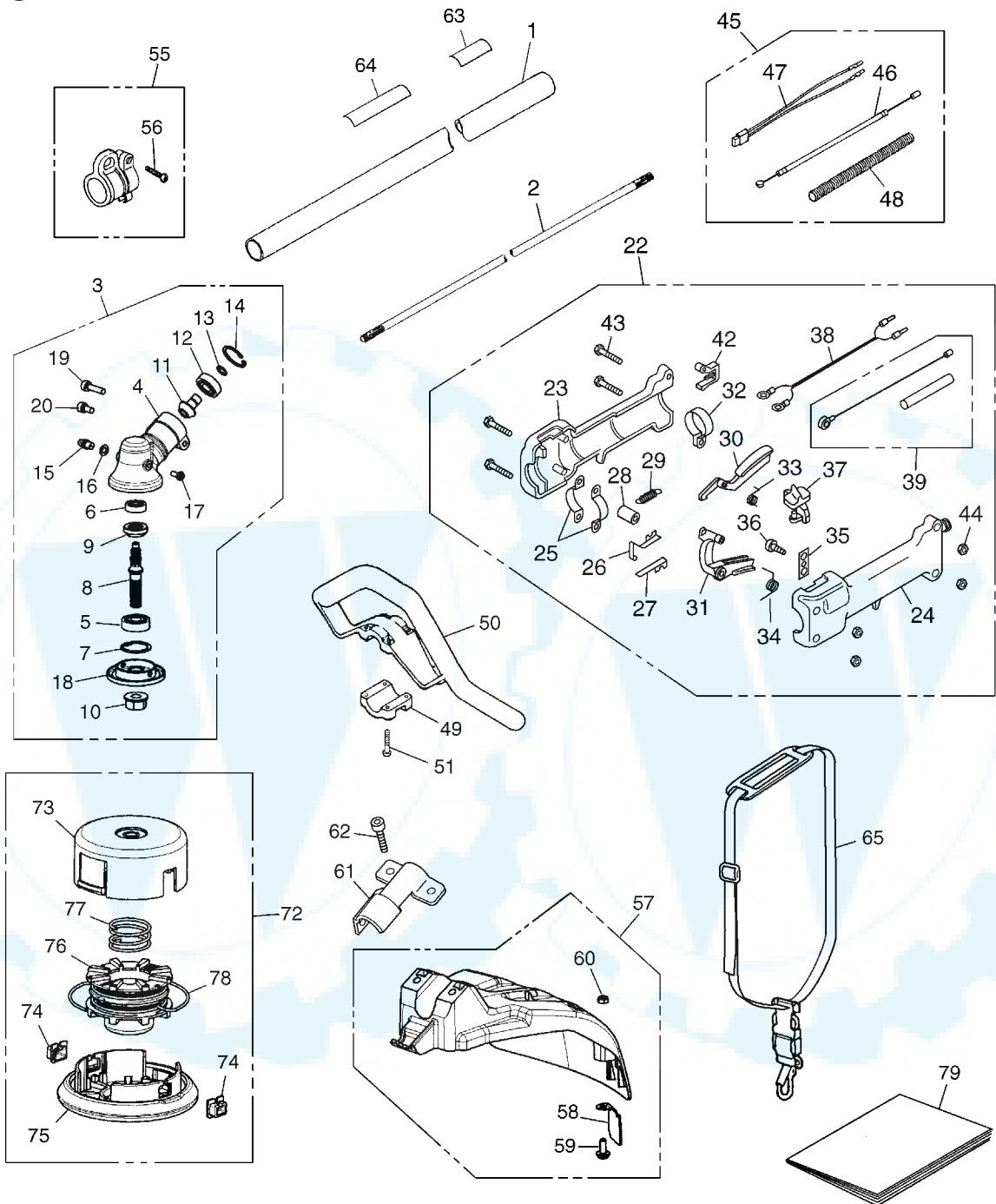
BC2002
TR2001

NOTE :

1. Use KOMATSU ZENOAH genuine parts specified in the parts list for repair and/or replacement.
2. KOMATSU ZENOAH does not warrant the machines, those which have been damaged by the use of any parts other than those specified by the company.
3. When placing orders of parts for repair and/or replacement, check if the model name and the serial number are suitable to those specified in the parts list, then use parts number described in the parts list.
4. The contents described in the parts list may change due to improvement.
5. The parts for the machine shall be supplied within ten (10) years after the machine is discontinued.
[It is possible that some specific parts may be subject to change of their delivery term and list price within the limit of ten (10) years after the machine is discontinued. And it is also possible that some parts may be available even after the limit of ten (10) years.]

BC2002

Fig.1 CUTTER GROUP



OPTION

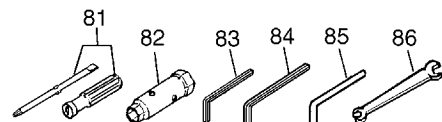
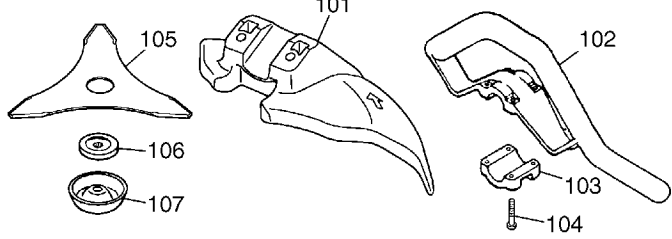


Fig.1 CUTTER GROUP

Key#	PART NUMBER	DESCRIPTION	Q'TY /UNIT	NOTE	Key#	PART NUMBER	DESCRIPTION	Q'TY /UNIT	NOTE
1	848B925810	PIPE COMP.	1						
2	T3400-12211	SHAFT	1		55	T3300-17202	HANGER COMP	1	
3	T3339-13000	GEARCASE ASSY	1		56	0263-90520	• SCREW	1	
4	848B2062A0	• GEARCASE (T3300-91320)	1		57	T3338-24100	GUARD ASSY	1	
5	06004-06000	• BEARING	1		58	6041-24140	• BLADE	1	
6	06000-00626	• BEARING	1		59	0263-90516	• SCREW TORX	2	
7	04065-02612	• RING	1		60	3320-15310	• NUT	2	
8	T3195-13210	• SHAFT	1		61	T3338-24120	CLAMP	1	
9	T3300-93250	• GEAR	1		62	01252-30630	BOLT	2	
10	T3002-13260	• NUT	1		63	T3339-12510	PLATE, name	1	
11	T3300-93310	• PINION	1		64	6425-12552	PLATE, caution	1	
12	06001-00609	• BEARING	1		65	T3300-17100	HARNES ASSY	1	
13	3210-13330	• RING	1						
14	04065-02412	• RING	1		72	T3189-15102	TAP HEAD COMP.	1	
15	3199-13350	• FITTING	1		73	T3189-15112	• CASE	1	
16	01641-20608	• WASHER	1		74	T3189-15191	• EYELET	2	
17	0225-00410	• BOLT	1		75	T3189-15132	• COVER	1	
18	T3300-91340	• HOLDER (A)	1		76	T3189-15142	• CORD HOLDER	1	
19	01252-30520	• BOLT	1		77	T3189-15160	• SPRING	1	
20	01252-30512	• BOLT	1		78	T3189-15180	• CORD	1	
					79	848J6093A0	MANUAL	1	
22	T3110-18000	GRIP ASSY	1	ø24					
23	K2300-000240	• GRIP (R)	1		81	1030-91340	DRIVER	1	
24	K2300-000230	• GRIP (L)	1		82	T3239-91310	SOCKET	1	
25	K3200-000370	• CLAMP (A)	2		83	09007-00425	WRENCH	1	
26	K3300-000010	• PLATE (A)	1		84	09007-00528	WRENCH	1	
27	K3300-000020	• PLATE (B)	1		85	3540-91110	BAR	1	
28	K5100-000240	• COLLAR	1		86	3540-91120	SPANNER	1	
29	K5100-000220	• SPRING	1						
30	K2300-000260	• SAFETY LEVER	1		101	T3246-24110	Guard (for Metal Blade)	1	
31	K2300-000250	• THROTTLE LEVER	1		102	6489-14300	Handle comp. (with Barrier)	1	
32	K3200-000380	• CLAMP(B)	1		103	6420-14320	Clamp	1	
33	K5100-000230	• SPRING	1		104	0263-90535	Screw	4	
34	K5100-000210	• SPRING	1		105	6298-E3390	Blade (ø250x1.8mm 3Teeth Blade)	1	
35	K2300-000270	• PLATE	1		106	6423-13250	Holder (B)	1	
36	B1122-C2910H	• SCREW	1	M3x10	107	3540-13283	Cover (ø10mm Center Hole)	1	
37	K2300-000280	• SWITCH	1						
38	K5200-000090	• CORD	1						
39	K5100-000270	• CABLE COMP.	1						
42	K2300-000390	• LID	1						
43	B1176-090530	• BOLT	4						
44	B1181-04054506	• NUT	4						
45	5548-83000	CABLE ASSY	1						
46	5548-83100	• CABLE COMP.	1						
47	5548-73200	• CORD COMP.	1						
48	5548-73310	• TUBE	1						
49	6420-14320	CLAMP	1						
50	6489-14300	HANDLE COMP.	1						
51	0263-90535	SCREW	4						

* 101~107 OPTION

BC2002

Fig.2 ENGINE GROUP

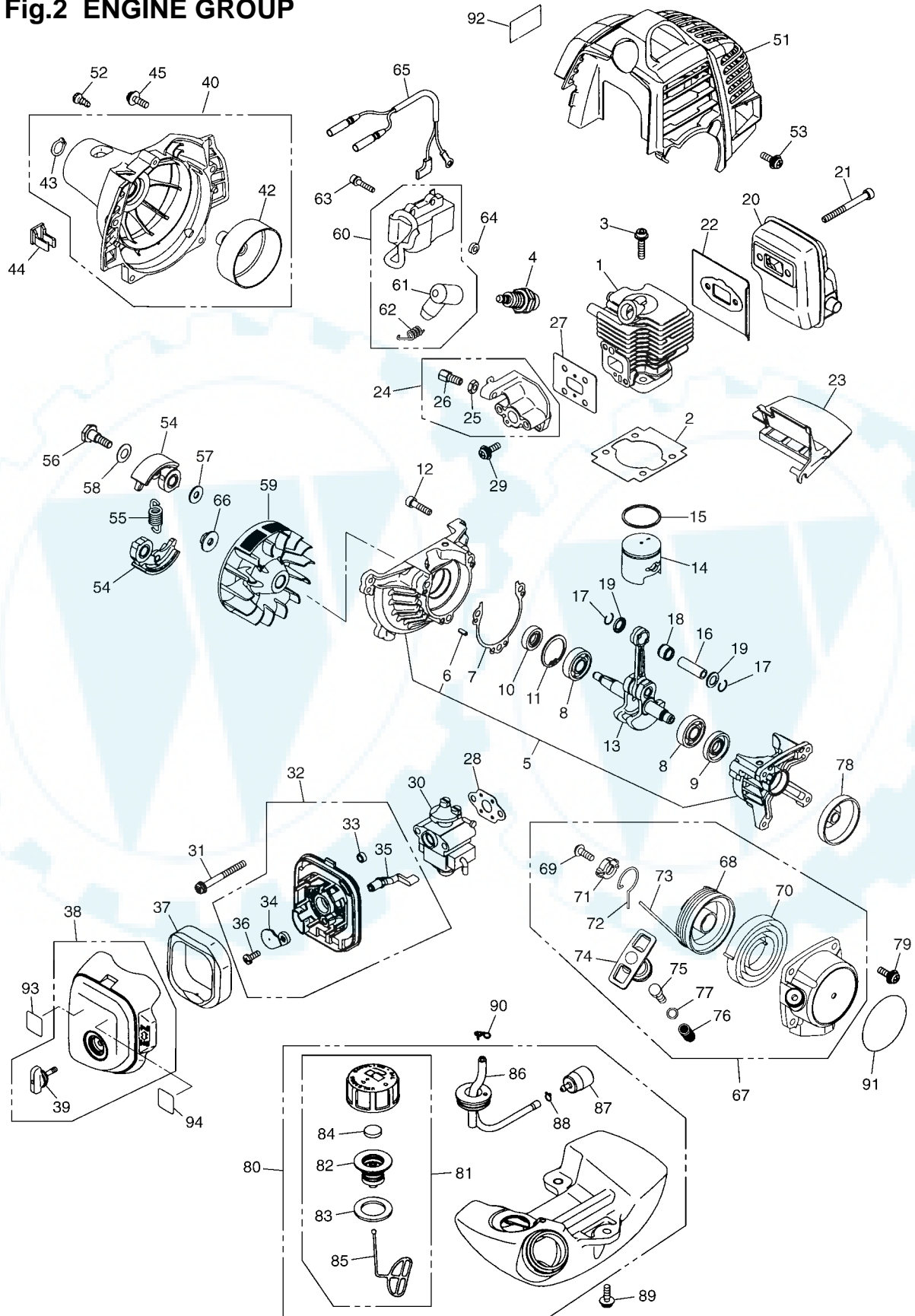


Fig.2 ENGINE GROUP

Key#	PART NUMBER	DESCRIPTION	Q'TY /UNIT	NOTE	Key#	PART NUMBER	DESCRIPTION	Q'TY /UNIT	NOTE
1	T1600-12110	CYLINDER	1		55	T1600-51220	SPRING	1	
2	T1600-12210	GASKET	1		56	1140-51250	SCREW	2	
3	1850-12130	BOLT	2	M5x22	57	1140-51230	WASHER	2	
4	3699-90332	PLUG	1	BPMR7A	58	T1600-51240	WASHER	2	
5	T1600-21100	CRANKCASE COMP.	1		59	848E3071A0	ROTOR	1	
6	2629-21130	• PIN			60	T1600-71200	COIL ASSY	1	
7	T1600-21140	GASKET, CASE	1		61	T1600-72110	• CAP	1	
8	T1600-21240	BEARING	2		62	T1600-72120	• SPRING	1	
9	T1600-21210	SEAL	1		63	3350-14150	BOLT	2	M4x20
10	T1600-21220	SEAL	1		64	1260-71261	SPACER	2	
11	04065-02612	RING	1	ø26	65	T1600-73200	CORD COMP.	1	
12	01252-30520	BOLT	3	M5x20	66	2750-32620	NUT	1	
13	T1600-42003	CRANKSHAFT COMP.	1		67	T1600-75100	RECOIL ASSY	1	
14	1160-41110	PISTON	1		68	T1600-75120	• REEL	1	
15	1100-41210	RING	1		69	4500-75150	• SCREW	1	
16	1101-41310	PIN	1		70	T1600-75130	• SPRING	1	
17	1260-41320	RING	2		71	4500-75180	• COLLOR	1	
18	5500-41410	BEARING	1		72	T1600-75190	• ARM	1	
19	1101-41340	WASHER	2		73	T1600-75160	• ROPE	1	
20	T1600-15110	MUFFLER	1		74	T1600-75310	• KNOB	1	
21	01252-30550	BOLT	2	M5x50	75	T1600-75321	• COLLOR	1	
22	T1600-15210	GASKET	1		76	T1600-75330	• SPRING	1	
23	T1600-15221	PLATE	1		77	4820-75210	• WASHER	1	
24	T1600-13100	INSULATOR COMP.	1		78	4500-75210	PULLEY	1	
25	0282-10604	• NUT	1		79	5500-85510	SCREW	2	
26	T1600-13170	• SCREW	1		80	T1600-85001	TANK ASSY	1	
27	5500-13121	GASKET	1		81	5607-85201	• CAP ASSY	1	
28	5500-13131	GASKET	1		82	5601-85300	•• HOLDER ASSY	1	
29	5500-85510	SCREW	2	M5x16	83	5500-85220	•• PACKING	1	
30	T1600-81000	CARBURETOR ASSY	1	WYL-141	84	5601-85260	•• FILTER	1	
31	0263-90550	SCREW	2	M5x50	85	4820-85260	•• STOPPER	1	
32	T1600-82100	BODY ASSY	1		86	4810-85300	• PIPE COMP.	1	
33	1970-82190	• SLEEVE	1		87	5500-85400	• FILTER	1	
34	T1600-82130	• PLATE, choke	1		88	1260-85460	• CLIP	1	
35	T1600-82140	• LEVER, choke	1		89	5500-85510	SCREW	3	
36	2630-33610	• SCREW	1		90	1950-86120	CLIP	1	
37	5500-82171	ELEMENT	1		91	T1616-75410	LABEL, RECOIL	1	
38	T1600-82200	COVER ASSY	1		92	T1807-31130	LABEL	1	
39	5500-82221	• KNOB	1		93	2634-31420	LABEL (CE)	1	
40	848E3Y5300	HOUSING ASSY	1		94	T2990-21080	LABEL, sound	1	
42	848EA051A1	• DRUM	1						
43	04064-01210	• SNAP RING	1						
44	T1600-72210	CLAMP	1						
45	5500-85510	SCREW	4	M5x16					
51	848E3Y31A1	COVER, ENGINE	1						
52	2630-33610	SCREW	1						
53	5500-85510	SCREW	2	M5x16					
54	T1600-51110	SHOE	2						

TR2001

Fig.3 CUTTER GROUP

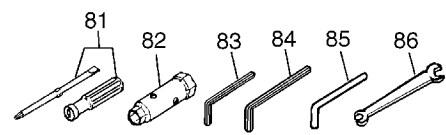
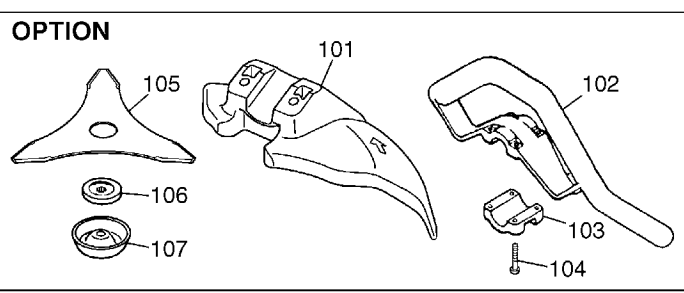
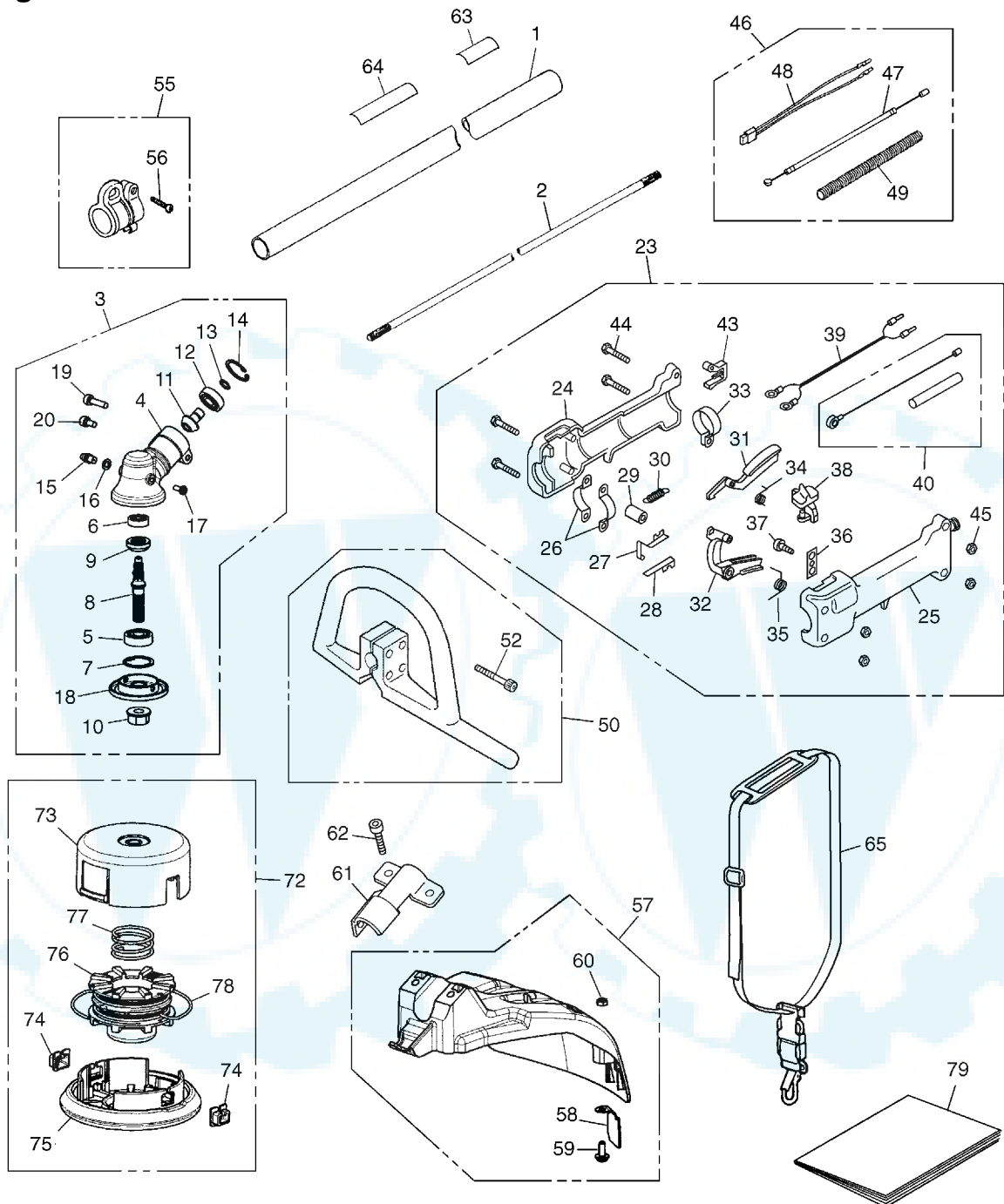


Fig.3 CUTTER GROUP

Key#	PART NUMBER	DESCRIPTION	Q'TY /UNIT	NOTE	Key#	PART NUMBER	DESCRIPTION	Q'TY /UNIT	NOTE
1	T3147-11300	PIPE COMP.	1						
2	3520-12213	SHAFT	1		55	T3300-17202	HANGER COMP	1	
3	T3338-13000	GEARCASE ASSY	1		56	0263-90520	• SCREW	1	
4	848B2062A0	• GEARCASE (T3300-91320)	1		57	T3338-24100	GUARD ASSY	1	
5	06004-06000	• BEARING	1		58	6041-24140	• BLADE	1	
6	06000-00626	• BEARING	1		59	0263-90516	• SCREW TORX	1	
7	04065-02612	• RING	1		60	3320-15310	• NUT	1	
8	T3195-13210	• SHAFT	1		61	T3338-24120	CLAMP	1	
9	T3300-93250	• GEAR	1		62	01252-30630	BOLT	2	
10	T3002-13260	• NUT	1		63	T3338-12510	PLATE, name	1	
11	T3195-13310	• PINION	1		64	6425-12552	PLATE, caution	1	
12	06001-00609	• BEARING	1		65	T3300-17100	HARNES ASSY	1	
13	3210-13330	• RING	1						
14	04065-02412	• RING	1		72	T3189-15102	TAP HEAD COMP.	1	
15	3199-13350	• FITTING	1		73	T3189-15112	• CASE	1	
16	01641-20608	• WASHER	1		74	T3189-15191	• EYELET	2	
17	0225-00410	• BOLT	1		75	T3189-15132	• COVER	1	
18	T3300-91340	• HOLDER (A)	1		76	T3189-15142	• CORD HOLDER	1	
19	01252-30520	• BOLT	1		77	T3189-15160	• SPRING	1	
20	01252-30512	• BOLT	1		78	T3189-15180	• CORD	1	
					79	848J6093A0	MANUAL	1	
23	T3110-18000	GRIP ASSY	1	ø24					
24	K2300-000240	• GRIP (R)	1		81	1030-91340	DRIVER	1	
25	K2300-000230	• GRIP (L)	1		82	T3239-91310	SOCKET	1	
26	K3200-000370	• CLAMP (A)	2		83	09007-00425	WRENCH	1	
27	K3300-000010	• PLATE (A)	1		84	09007-00528	WRENCH	1	
28	K3300-000020	• PLATE (B)	1		85	3540-91110	BAR	1	
29	K5100-000240	• COLLAR	1		86	3540-91120	SPANNER	1	
30	K5100-000220	• SPRING	1						
31	K2300-000260	• SAFETY LEVER	1		101	T3246-24110	Guard (for Metal Blade)	1	
32	K2300-000250	• THROTTLE LEVER	1		102	6489-14300	Handle comp. (with Barrier)	1	
33	K3200-000380	• CLAMP(B)	1		103	6420-14320	Clamp	1	
34	K5100-000230	• SPRING	1		104	0263-90535	Screw	4	
35	K5100-000210	• SPRING	1		105	6298-E3390	Blade (ø250x1.8mm 3Teeth Blade)	1	
36	K2300-000270	• PLATE	1		106	6423-13250	Holder (B)	1	
37	B1122-C2910H	• SCREW	1	M3x10	107	3540-13283	Cover (ø10mm Center Hole)	1	
38	K2300-000280	• SWITCH	1						
39	K5200-000090	• CORD	1						
40	K5100-000270	• CABLE COMP	1						
43	K2300-000390	• LID	1						
44	B1176-090530	• BOLT	4						
45	B1181-04054506	• NUT	4						
46	5548-83000	CABLE ASSY	1						
47	5548-83100	• CABLE COMP.	1						
48	5548-73200	• CORD COMP.	1						
49	5548-73310	• TUBE	1						
50	T3110-14000	HANDLE ASSY	1						
52	0263-90530	• SCREW	4						

* 101~107 OPTION

TR2001

Fig.4 ENGINE GROUP

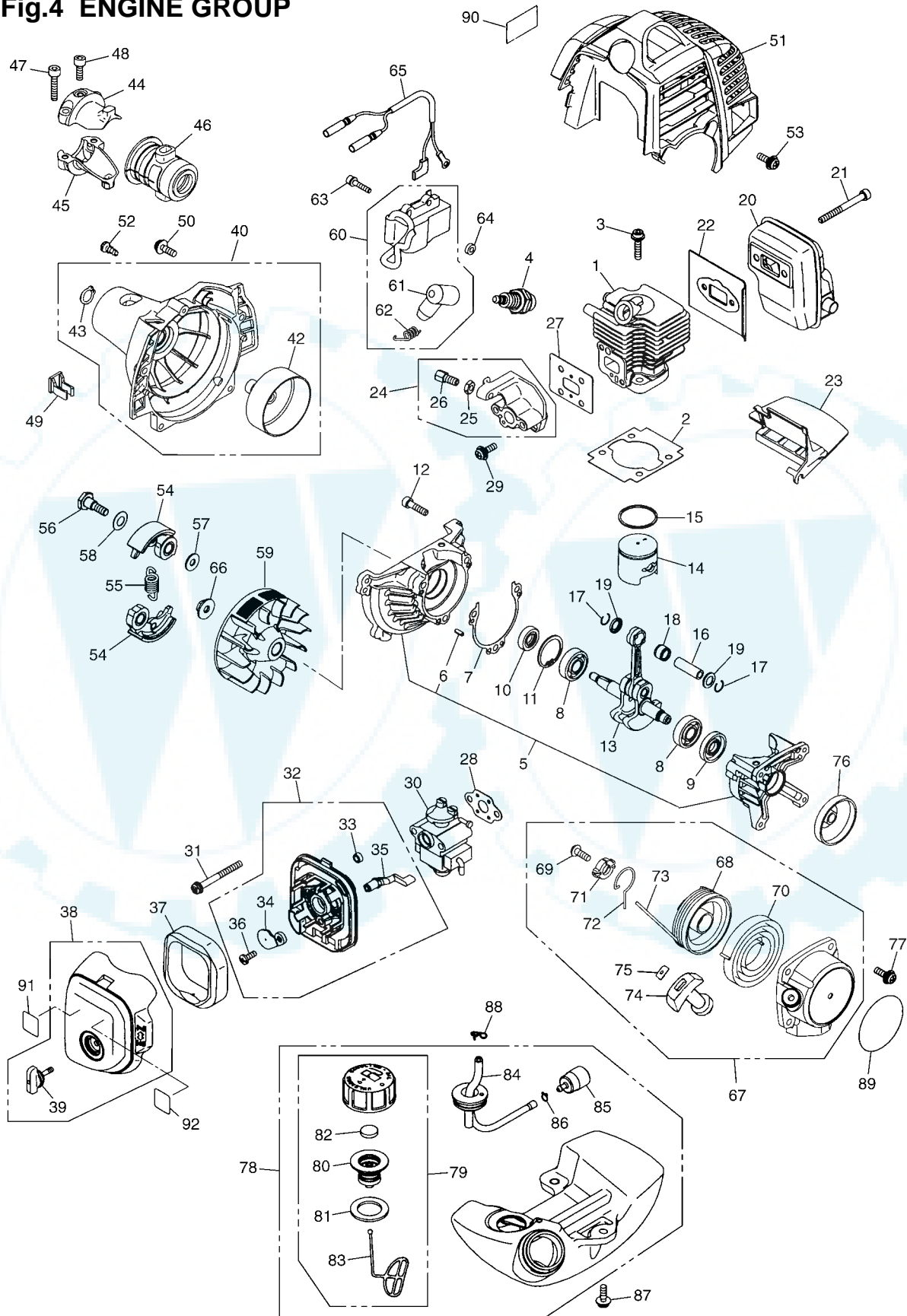


Fig.4 ENGINE GROUP

Key#	PART NUMBER	DESCRIPTION	Q'TY /UNIT	NOTE	Key#	PART NUMBER	DESCRIPTION	Q'TY /UNIT	NOTE
1	T1600-12110	CYLINDER	1		51	T1604-32110	COVER, ENGINE	1	
2	T1600-12210	GASKET	1		52	0263-90510	SCREW	1	
3	1850-12130	BOLT	2	M5x22	53	5500-85510	SCREW	2	M5x16
4	3699-90332	PLUG	1	BPMR7A	54	T1600-51110	SHOE	2	
5	T1600-21100	CRANKCASE COMP.	1		55	T1600-51220	SPRING	1	
6	2629-21130	• PIN			56	1140-51250	SCREW	2	
7	T1600-21140	GASKET, CASE	1		57	1140-51230	WASHER	2	
8	T1600-21240	BEARING	2		58	T1600-51240	WASHER	2	
9	T1600-21210	SEAL	1		59	848E3071A0	ROTOR	1	
10	T1600-21220	SEAL	1		60	T1600-71200	COIL ASSY	1	
11	04065-02612	RING	1	ø26	61	T1600-72110	• CAP	1	
12	01252-30520	BOLT	3	M5x20	62	T1600-72120	• SPRING	1	
13	T1600-42003	CRANKSHAFT COMP.	1		63	3350-14150	BOLT	2	M4x20
14	1160-41110	PISTON	1		64	1260-71261	SPACER	2	
15	1100-41210	RING	1		65	T1600-73200	CORD COMP.	1	
16	1101-41310	PIN	1		66	2750-32620	NUT	1	
17	1260-41320	RING	2		67	T1620-75100	RECOIL ASSY	1	
18	5500-41410	BEARING	1		68	T1600-75120	• REEL	1	
19	1101-41340	WASHER	2		69	4500-75150	• SCREW	1	
20	T1600-15110	MUFFLER	1		70	T1600-75130	• SPRING	1	
21	01252-30550	BOLT	2	M5x50	71	4500-75180	• COLLOR	1	
22	T1600-15210	GASKET	1		72	T1600-75190	• ARM	1	
23	T1600-15221	PLATE	1		73	T1600-75160	• ROPE	1	
24	T1600-13100	INSULATOR COMP.	1		74	1140-75320	• KNOB	1	
25	0282-10604	• NUT	1		75	5500-75170	• WASHER	1	
26	T1600-13170	• SCREW	1		76	4500-75210	PULLEY	1	
27	5500-13121	GASKET	1		77	5500-85510	SCREW	2	
28	5500-13131	GASKET	1		78	T1600-85001	TANK ASSY	1	
29	5500-85510	SCREW	2	M5x16	79	5607-85201	• CAP ASSY	1	
30	T1600-81000	CARBURETOR ASSY	1	WYL-141	80	5601-85300	•• HOLDER ASSY	1	
31	0263-90550	SCREW	2	M5x50	81	5500-85220	•• PACKING	1	
32	T1600-82100	BODY ASSY	1		82	5601-85260	•• FILTER	1	
33	1970-82190	• SLEEVE	1		83	4820-85260	•• STOPPER	1	
34	T1600-82130	• PLATE, choke	1		84	4810-85300	• PIPE COMP.	1	
35	T1600-82140	• LEVER, choke	1		85	5500-85400	• FILTER	1	
36	2630-33610	• SCREW	1		86	1260-85460	• CLIP	1	
37	5500-82171	ELEMENT	1		87	5500-85510	SCREW	3	
38	T1600-82200	COVER ASSY	1		88	1950-86120	CLIP	1	
39	5500-82221	• KNOB	1		89	T1616-75410	LABEL, RECOIL	1	
40	T1620-31101	HOUSING ASSY	1		90	T1807-31130	LABEL	1	
42	848F3051A1	• DRUM	1		91	2634-31420	LABEL (CE)	1	
43	04064-01210	• SNAP RING	1		92	T2990-21080	LABEL, sound	1	
44	T1700-31212	BRACKET (A)	1						
45	T1700-31221	BRACKET (B)	1						
46	T1700-31232	CUSHION	1						
47	01252-30522	BOLT	2						
48	01252-30510	BOLT	1						
49	T1600-72210	CLAMP	1						
50	5500-85510	SCREW	4	M5x16					

BC2002/TR2001

Fig.5 CARBURETOR

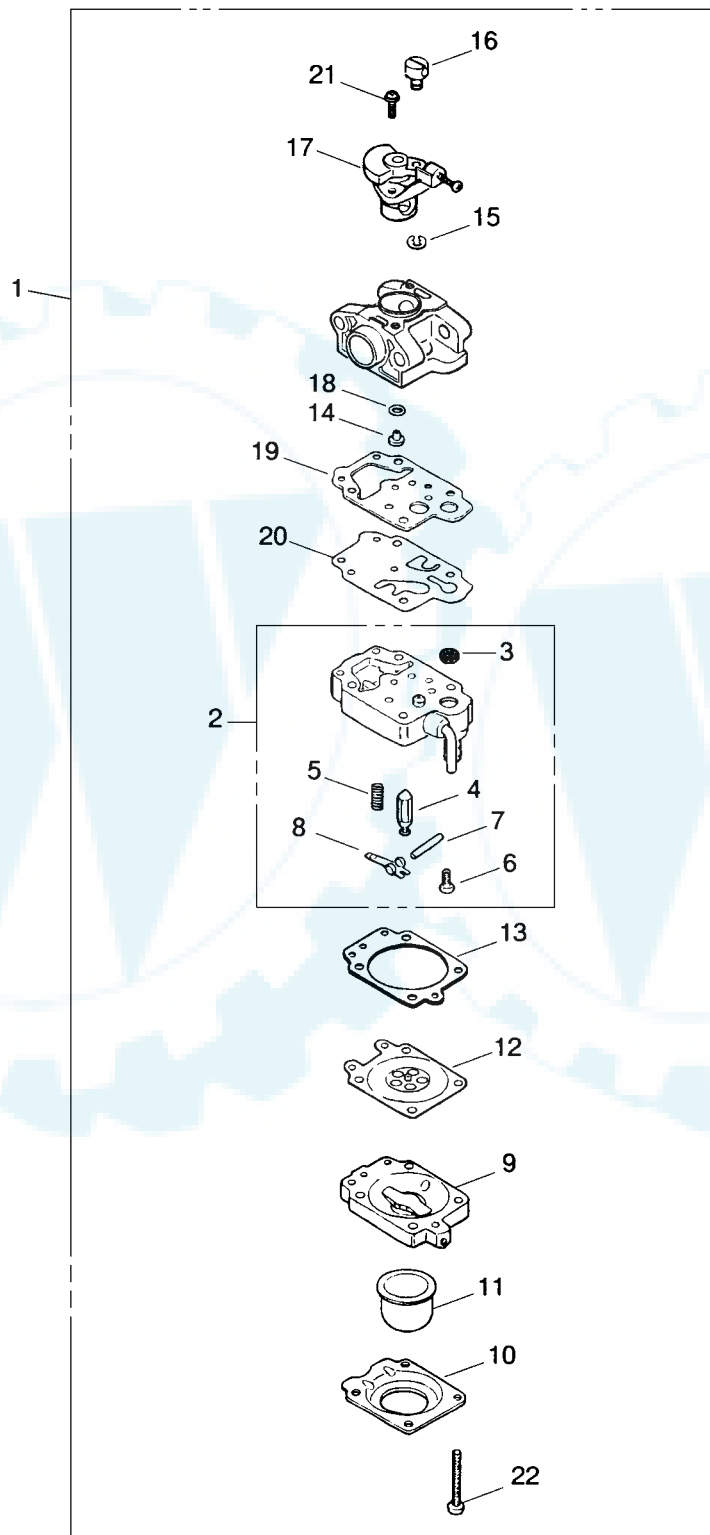
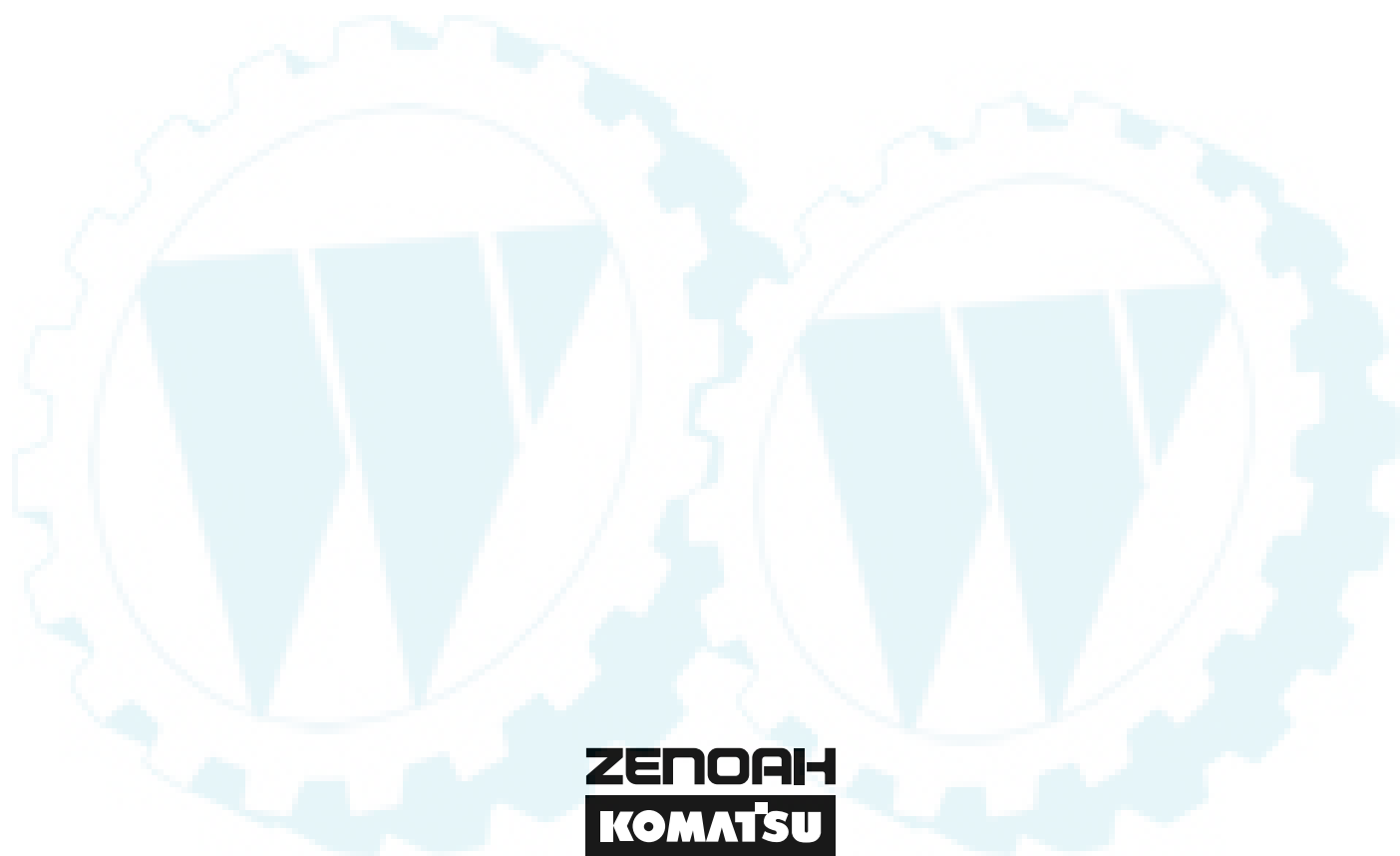


Fig.5 CARBURETOR

Key#	PART NUMBER	DESCRIPTION	Q'TY /UNIT	NOTE	Key#	PART NUMBER	DESCRIPTION	Q'TY /UNIT	NOTE
1	T1600-81000	CARBURETOR ASSY	1	WYL-141					
2	1794-81450	•BODY ASSY	1						
3	3306-81380	•• SCREEN	1						
4	3356-81310	•• VALVE, inlet	1						
5	1794-81270	•• SPRING	1						
6	1850-81220	•• SCREW	1						
7	3310-81250	•• PIN	1						
8	3310-81230	•• LEVER	1						
9	1850-81490	•BODY, purge	1						
10	1850-81520	•COVER, pump	1						
11	1751-81510	•PUMP, priming	1						
12	3310-81260	•DIAPHRAGM	1						
13	1850-81470	•GASKET	1						
14	T1600-81250	•JET	1	#39.5					
15	1751-81130	•RING	1						
16	1881-81140	•SWIVEL	1						
17	T1600-81150	•VALVE, throttle	1						
18	1751-81240	•O-RING	1						
19	1065-81410	•GASKET	1						
20	1065-81420	•DIAPHRAGM, pump	1						
21	5850-81110	•SCREW	2						
22	1850-81530	•SCREW	4						

www.ersatzteil-service.de

www.ersatzteilplan.de



ZENOAH
KOMATSU

KOMATSU ZENOAH CO.

1-9 Minamidai, Kawagoe, Saitama, 350-1192 Japan

PRINTED IN JAPAN

Ihr Ersatzteilspezialist im Internet

PRINTED ON RECYCLED PAPER
IMPRIMÉ SUR PAPIER RECYCLÉ
GEDRUCKT AUF RECYCLING PAPIER
STAMPATO SU CARTA RICICLATA
IMPRESO EN PAPEL RECICLADO