



PARTS LIST

BRUSHCUTTERS

BKZ4500DL
BKZ5000DL

NOTE :

1. Use KOMATSU ZENOAH genuine parts as specified in the parts list for repair and/or replacement.
2. KOMATSU ZENOAH does not warrant the machines, which have been damaged by the use of any parts other than those specified by the company.
3. When placing parts orders for repair and/or replacement, check if the model name and the serial number are applicable to those specified in the parts list, then use parts number described in the parts list.
4. The contents described in the parts list are accurate as of the date and may change due to improvement.
5. The parts for the machine shall be supplied ten (10) years after the machine is discontinued. [It is possible that some specific parts may be subject to change of their delivery term and list price within the limit of ten (10) years after the machine is discontinued. It is also possible that some parts may be available even after the limit of ten (10) years.]

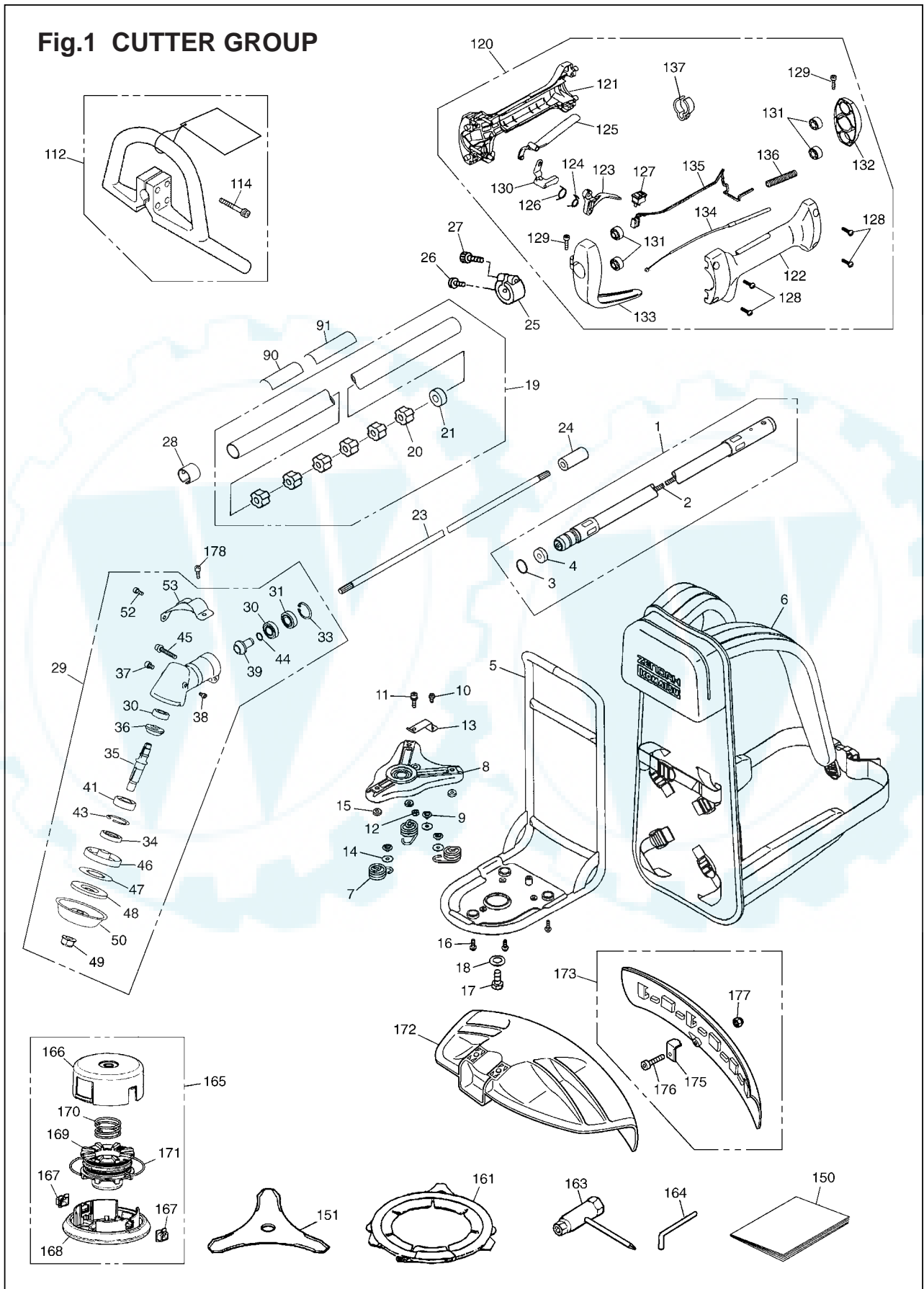
APPLICABLE SERIAL NUMBERS:

DRIVE UNIT 40300101 and up
ENGINE UNIT 40300101 and up

April 2004

BKZ4500DL

Fig.1 CUTTER GROUP



BKZ4500DL

Fig.1 CUTTER GROUP

Key#	PART NUMBER	DESCRIPTION	Q'TY /UNIT	NOTE	Key#	PART NUMBER	DESCRIPTION	Q'TY /UNIT	NOTE
1	848KH05911	SHAFT FLEX ASSY	1		112	848KH03200	HANDLE ASSY	1	
2	848KH059G0	• SHAFT-FLEX	1						
3	07000-12018	• O-RING	1		114	T4950-53040	• SCREW	4	
4	848KH059K0	• SEAL	1						
5	848H7135A1	FRAME	1		120	8488R40080	GRIP ASSY	1	
6	T1141-37100	BACK CSHN ASSY	1		121	848JL233A4	• BODY-R	1	
7	848H7137A0	SPRING	3		122	848JL233B3	• BODY-L	1	
8	848H7137C0	PLATE, ENGINE	1		123	848JL233C3	• LEVER	1	
9	8488050800	BOLT	3		124	848JL233D2	• SPRING	1	
10	T4950-51011	BOLT TORX M5xL10 T27	1		125	848JL233E2	• LEVER-S	1	
11	T4950-62040	BOLT TORX	1		126	848JL233F2	• SPRING	1	
12	0280-10605	NUT M6xP1.0	1		127	T4506-52110	• SWITCH	1	
13	848H7137E0	STOPPER	1		128	8488251601	• SCREW TP5(P-tight)xL16 T27	4	
14	8488705010	WASHER	3		129	4820-13180	• BOLT TORX M5xL20 T27	2	
15	8488Y54010	SPACER	3		130	848JL233G2	• LEVER	1	
16	4820-85510	BOLT TORX M5xL16 T27	3		131	848JL233H3	• ABSORBER	4	
17	01010-81025	BOLT	1		132	8488RB0080	• HOLDER REAR	1	
18	01642-21016	WASHER	1		133	8488RA0081	• HOLDER FRONT	1	
19	848KD35820	PIPE COMP.	1		134	8488PA0061	• CABLE COMP.	1	
20	3180-11321	• BUSHING	6		135	8488M10020	• CORD COMP.	2	
21	6129-12120	• BEARING COMP.	1		136	8488H28501	• TUBE	1	
					137	848BC059M0	• CLAMP	3	
23	6129-12210	SHAFT	1		150	848KH093A0	MANUAL	1	
24	6129-12220	SHAFT, joint	1		151	6298E3390	BLADE	1	
25	6129-12230	CLAMP	1						
26	8488051000	SCREW	1		161	848JL092B1	COVER BLADE	1	
27	T4950-52001	BOLT	1						
28	6359-13910	SPACER	1		163	T4017-91130	SOCKET	1	
29	848KH06100	GEARCASE ASSY	1		164	3540-91110	BAR	1	
30	06000-06000	• BEARING	2		165	848JL06911	TAPHEAD ASSY	1	
31	06001-06000	• BEARING	1		166	848JL069M1	• CASE	1	
					167	T3189-15191	• EYELET	2	
33	04065-02612	• RING	1		168	T3189-15132	• COVER	1	
34	8488AL3500	• SEAL	1		169	T3189-15142	• CORD HOLDER	1	
35	848JL061B3	• SHAFT	1		170	T3189-15160	• SPRING	1	
36	848JL061C2	• GEAR	1		171	T3189-15180	• CORD	1	
37	T4950-60800	• BOLT TORX M6xL8 T27	1		172	848JL066A3	GUARD	1	
38	T4950-40800	• BOLT TORX M4xL8 T27	1		173	848JL06633	GURD ASSY	1	
39	848KH061D0	• PINION	1						
					175	848JL066B2	• BLADE	1	
41	06004-06202	• BEARING	1		176	4820-72150	• BOLT TORX M4xL16 T27	1	
					177	3238-13150	• NUT	1	
43	04065-03515	• RING, SNAP	1		178	T4950-63040	BOLT TORX M6xL30 T27	2	
44	3180-13330	• RING	1						
45	T4950-63540	• BOLT TORX	1						
46	848JL061F3	• HOLDER (A)	1						
47	848JL061L2	• PLATE	1						
48	848JL061G2	• HOLDER (B)	1						
49	848JL061K1	• NUT M12xP1.25	1						
50	848JL061J3	• COVER	1						
52	T4950-51200	• BOLT TORX M5xL12 T27	1						
53	848JL066C2	• PLATE	1						
90	848KF090R0	PLATE NAME	1						
91	6425-12552	PLATE	1						

* No.45 (1252-30635) might be changed to T4950-63540 in the future.

BKZ4500DL

Fig.2 ENGINE GROUP

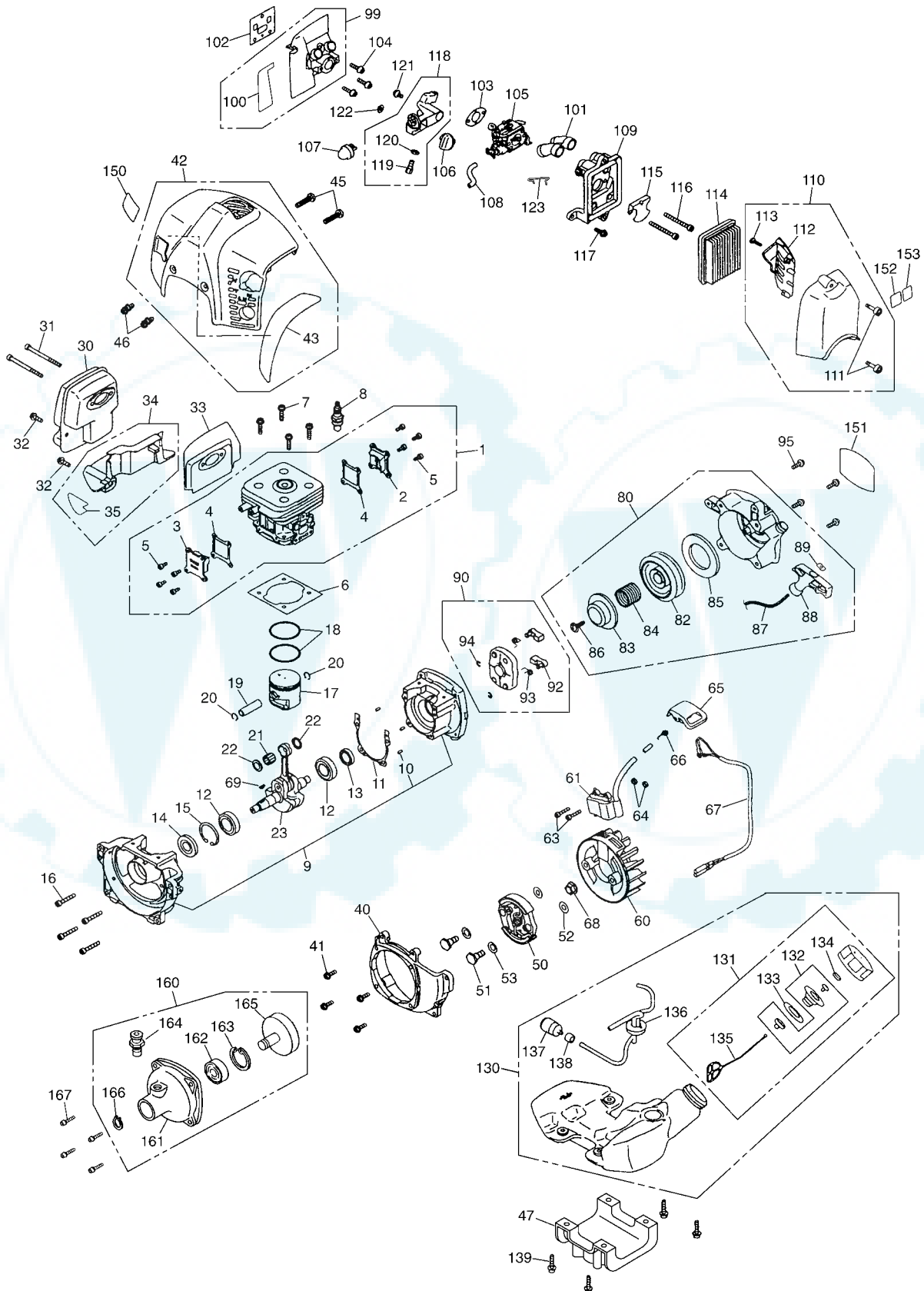
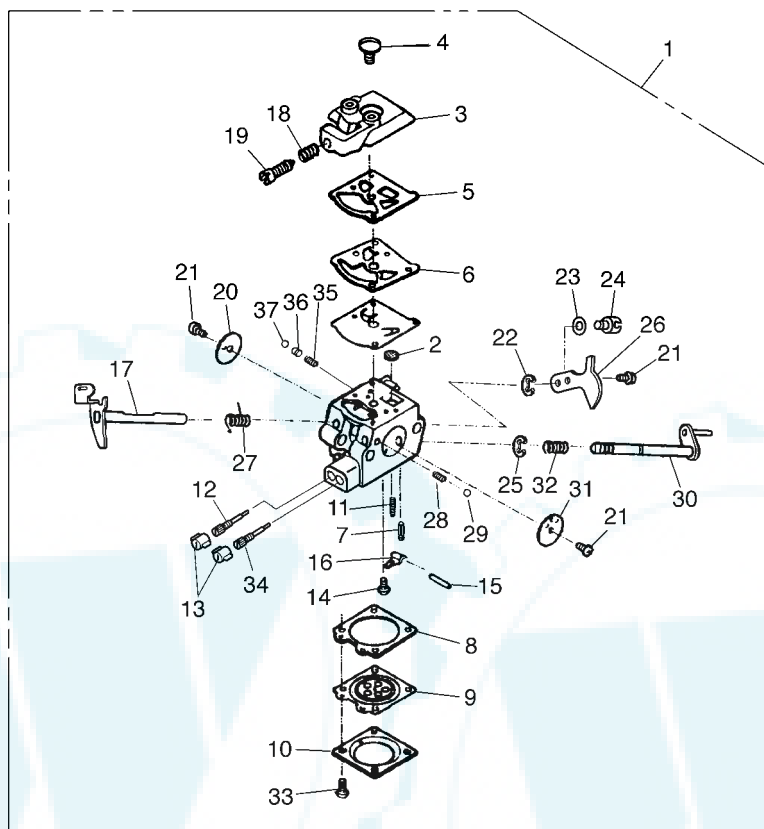


Fig.2 ENGINE GROUP

Key#	PART NUMBER	DESCRIPTION	QTY /UNIT	NOTE	Key#	PART NUMBER	DESCRIPTION	QTY /UNIT	NOTE
1	848GD01211	CYLINDER COMP.	1		86	848H7075E1	• SCREW	1	
2	848GD012C1	• COVER, TR, S	1		87	848H7075F1	• ROPE	1	
3	848GD012D1	• COVER, TR, F	1		88	848H7075J1	• KNOB	1	
4	848H7012E1	• GASKET, TR	2		89	848H7075G1	• STOPPER	1	
5	4820-16310	• BOLT TORX M4xL10 T27	8		90	848H707521	PULLEY ASSY	1	
6	848H7012B1	GASKET	1		92	848H7075R1	• RATCHET	2	
7	4820-12130	BOLT TORX M5xL22 T27	4		93	848H7075S0	• SPRING	2	
8	3699-91867	SPARK PLUG	1	CMR7H	94	1034-72180	• E RING	2	
9	848H702111	CRANKCASE COMP.	1		95	4820-32120	BOLT TORX	4	
10	2629-21130	• PIN	3		99	848H711400	INSULATOR ASSY	1	
11	T1400-21140	GASKET, CASE	1		100	848H7114F0	• TAPE	1	
12	84889F3511	BEARING	2		101	848H7082A1	PIPE	1	
13	T4019-21210	SEAL	1		102	848H7014B1	GASKET	1	
14	1400-21220	SEAL	1		103	848H7014C0	GASKET, CARB	1	
15	04065-03515	RING, SNAP	1		104	T4950-52021	BOLT TORX M5xL20 T27	3	
16	4820-21310	BOLT TORX M5xL30 T27	4		105	848H718101	CARBURETOR ASSY	1	
17	848GD041A2	PISTON	1		106	848H7082F0	KNOB	1	
18	2670-41211	RING	2		107	2850-81900	PUMP	1	
19	2880-41310	PIN	1		108	8488F40450	TUBE	1	
20	3350-41320	SNAP RING	2		109	848H708311	BODY ASSY	1	
21	1400-41410	BEARING	1		110	848H708321	COVER ASSY	1	
22	2670-41510	WASHER	2		111	8488052011	• SCREW	2	
23	848H704201	CRANKSHAFT COMP.	1		112	848H7083Y0	• GUARD	1	
30	848H7115A1	MUFFLER	1		113	8488241600	• SCREW	1	
31	8488156700	BOLT TORX M5xL67 T27	2		114	848H7083F1	ELEMENT	1	
32	4820-85510	BOLT TORX M5xL16 T27	2		115	T4012-82510	PLATE	1	
33	848H7015C1	GASKET	1		116	4820-15310	BOLT TORX M5xL50 T27	2	
34	848H711530	PLATE	1		117	4820-85510	BOLT TORX M5xL16 T27	1	
35	848H7115F0	• TAPE	1		118	848H718220	BRACKET ASSY	1	
40	848H7053A2	COVER	1		119	T1610-13170	• SCREW	1	
41	4820-85510	BOLT TORX M5xL16 T27	4		120	0282-10604	• NUT	1	
42	848H713110	COVER-TOP ASSY	1		121	T4950-51011	BOLT TORX M5xL10 T27	1	
43	848H7131E0	• TAPE	1		122	848H7083Z1	WASHER	1	
45	T4970-52000	SCREW TORX 5xL20	2		123	848H7089C0	ROD	1	
46	T4950-51011	BOLT TORX M5xL10 T27	2		130	848H718500	TANK ASSY	1	
47	848H713700	BRACKET	1		131	T1015-85202	• CAP ASSY	1	
50	848H705110	SHOE COMP.	1		132	4500-85300	•• HOLDER ASSY	1	
51	1200-51211	SCREW	2		133	4500-85220	•• PACKING	1	
52	1200-51230	WASHER	2		134	5601-85260	•• FILTER	1	
53	1200-51241	WASHER	2		135	4820-85260	•• STOPPER	1	
60	848H707111	ROTOR	1		136	848H718531	• PIPE COMP.	1	
61	848H707121	COIL ASSY	1		137	3302-85400	• FILTER	1	
63	T4950-42200	BOLT TORX M4xL22 T27	2		138	2841-31280	• COLLER	1	
64	1260-71261	SPACER	2		139	T4950-53040	BOLT	4	
65	T1400-72110	CAP	1		150	848H7090B1	LABEL, COVER	1	
66	1900-72120	SPRING	1		151	848GD190C1	LABEL, RECOIL	1	
67	T1400-73200	CORD COMP.	1		152	2634-31420	LABEL (CE)	1	
68	1400-43230	NUT	1		153	8488X01180	LABEL	1	
69	1000-43240	KEY	1		160	6129-11100	HOUSING ASSY	1	
80	848H707511	RECOIL ASSY	1		161	6129-11110	• HOUSING	1	
82	848H7075C1	• REEL	1		162	06002-06001	• BEARING	1	
83	848H7075L1	• PLATE, CAM	1		163	04065-02812	• RING	1	
84	848H7075K1	• SPRING, DAMPER	1		164	3577-12200	• STOPPER COMP.	1	
85	848H7075B1	• SPRING, SPIRAL	1		165	6278-12311	• DRUM	1	
					166	04064-01210	• SNAP RING	1	
					167	T4950-62040	BOLT TORX M6xL20 T27	4	

BKZ4500DL

Fig.3 CARBURETOR



Key#	PART NUMBER	DESCRIPTION	Q'TY /UNIT	NOTE	Key#	PART NUMBER	DESCRIPTION	Q'TY /UNIT	NOTE
1	848H718101	CARBURETOR ASSY	1		24	1751-81141	• SWIVEL	1	
2	3306-81380	• SCREEN	1		25	1148-81390	• RING	1	
3	848H7181H0	• COVER	1		26	848H7181Z0	• LEVER, throttle	1	
4	3310-81130	• SCREW	1		27	2670-81410	• SPRING	1	
5	3304-81140	• GASKET	1		28	3350-81350	• SPRING	1	
6	1172-81150	• DIAPHRAGM	1		29	3350-81220	• BALL	1	
7	3356-81310	• VALVE	1		30	848H7181E0	• SHAFT ASSY, choke	1	
8	2850-81290	• GASKET	1		31	848H7180C0	• VALVE	1	
9	3310-81260	• DIAPHRAGM	1		32	3350-81391	• SPRING	1	
10	3310-81280	• COVER	1		33	3310-81351	• SCREW	1	
11	2867-81270	• SPRING	1		34	848H7181B0	• NEEDLE	1	
12	2812-81330	• NEEDLE	1		35	2810-81530	• SPRING	1	
13	3415-81490	• CAP	2		36	2812-81510	• PISTON	1	
14	3310-81240	• SCREW	1		37	2812-81520	• BALL	1	
15	3310-81250	• PIN	1						
16	3310-81230	• LEVER	1						
17	848H7181T0	• SHAFT	1						
18	1282-81460	• SPRING	1						
19	1145-81540	• SCREW	1						
20	2616-81340	• VALVE	1						
21	2880-81470	• SCREW	3						
22	1751-81130	• RING	1						
23	1751-81190	• WASHER	1						

www.ersatzteil-service.de

www.ersatzteilplan.de



Ihr Ersatzteilspezialist im Internet

BKZ5000DL

Fig.4 CUTTER GROUP

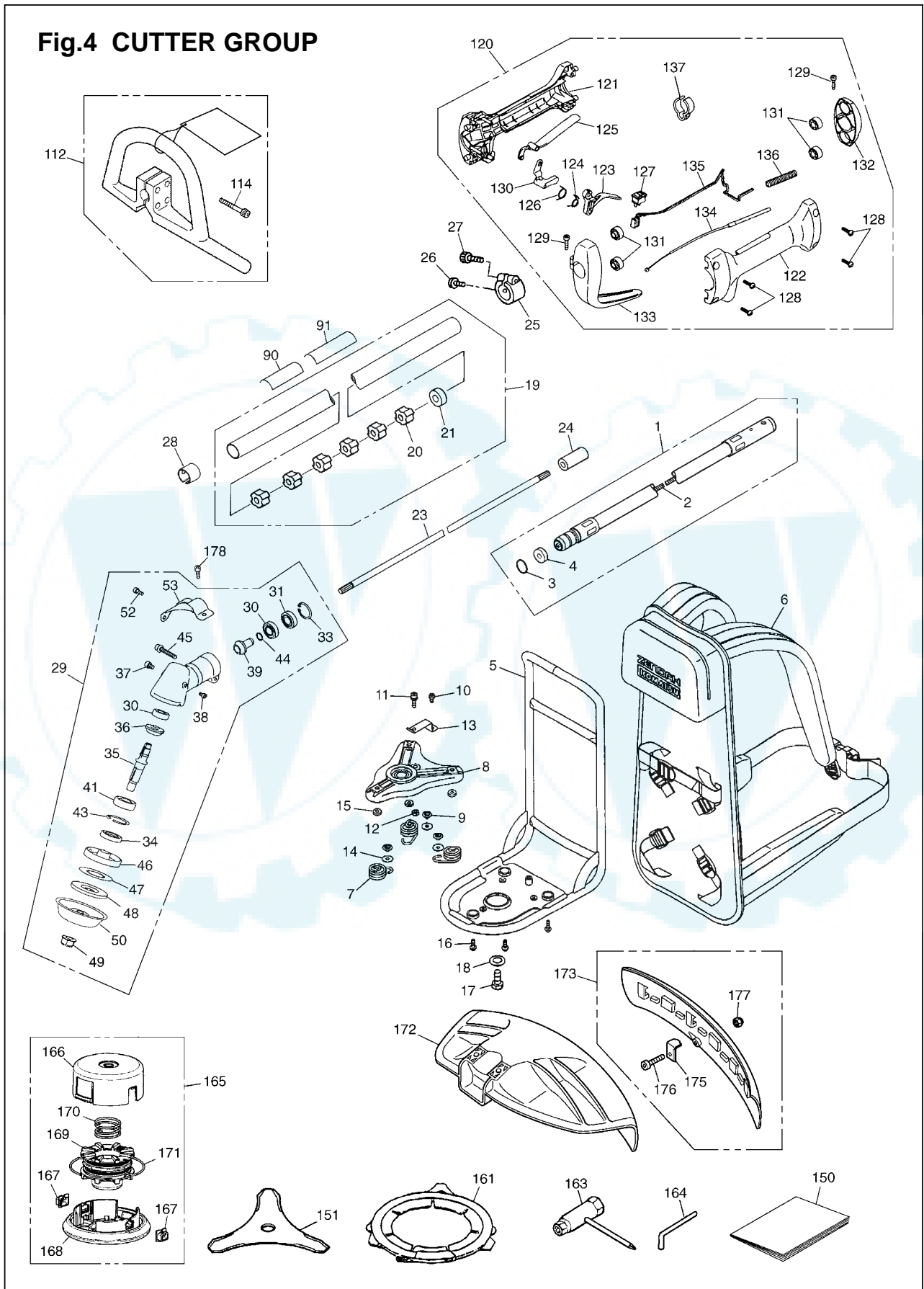


Fig.4 CUTTER GROUP

Key#	PART NUMBER	DESCRIPTION	Q'TY /UNIT	NOTE	Key#	PART NUMBER	DESCRIPTION	Q'TY /UNIT	NOTE
1	848KH05911	SHAFT FLEX ASSY	1		112	848KH03200	HANDLE ASSY	1	
2	848KH059G0	• SHAFT-FLEX	1		114	T4950-53040	• SCREW	4	
3	07000-12018	• O-RING	1		120	8488R40080	GRIP ASSY	1	
4	848KH059K0	• SEAL	1		121	848JL233A4	• BODY-R	1	
5	848H7135A1	FRAME	1		122	848JL233B3	• BODY-L	1	
6	T1141-37100	BACK CSHN ASSY	1		123	848JL233C3	• LEVER	1	
7	848H7137A0	SPRING	3		124	848JL233D2	• SPRING	1	
8	848H7137C0	PLATE, ENGINE	1		125	848JL233E2	• LEVER-S	1	
9	8488050800	BOLT	3		126	848JL233F2	• SPRING	1	
10	T4950-51011	BOLT TORX M5xL10 T27	1		127	T4506-52110	• SWITCH	1	
11	T4950-62040	BOLT TORX	1		128	8488251601	• SCREW TP5(P-tight)xL16 T27	4	
12	0280-10605	NUT M6xP1.0	1		129	4820-13180	• BOLT TORX M5xL20 T27	2	
13	848H7137E0	STOPPER	1		130	848JL233G2	• LEVER	1	
14	8488705010	WASHER	3		131	848JL233H3	• ABSORBER	4	
15	8488Y54010	SPACER	3		132	8488RB0080	• HOLDER REAR	1	
16	4820-85510	BOLT TORX M5xL16 T27	3		133	8488RA0081	• HOLDER FRONT	1	
17	01010-81025	BOLT	1		134	8488PA0061	• CABLE COMP.	1	
18	01642-21016	WASHER	1		135	8488M10020	• CORD COMP.	2	
19	848KD35820	PIPE COMP.	1		136	8488H28501	• TUBE	1	
20	3180-11321	• BUSHING	6		137	848BC059M0	• CLAMP	1	
21	6129-12120	• BEARING COMP.	1		150	848KH093A0	MANUAL	1	
23	6129-12210	SHAFT	1		151	6298E3390	BLADE	1	
24	6129-12220	SHAFT, joint	1		161	848JL092B1	COVER BLADE	1	
25	6129-12230	CLAMP	1		163	T4017-91130	SOCKET	1	
26	8488051000	SCREW	1		164	3540-91110	BAR	1	
27	T4950-52001	BOLT	1		165	848JL06911	TAPHEAD ASSY	1	
28	6359-13910	SPACER	1		166	848JL069M1	• CASE	1	
29	848KH06100	GEARCASE ASSY	1		167	T3189-15191	• EYELET	2	
30	06000-06000	• BEARING	2		168	T3189-15132	• COVER	1	
31	06001-06000	• BEARING	1		169	T3189-15142	• CORD HOLDER	1	
33	04065-02612	• RING	1		170	T3189-15160	• SPRING	1	
34	8488AL3500	• SEAL	1		171	T3189-15180	• CORD	1	
35	848JL061B3	• SHAFT	1		172	848JL066A3	GUARD	1	
36	848JL061C2	• GEAR	1		173	848JL06633	GURD ASSY	1	
37	T4950-60800	• BOLT TORX M6xL8 T27	1		175	848JL066B2	• BLADE	1	
38	T4950-40800	• BOLT TORX M4xL8 T27	1		176	4820-72150	• BOLT TORX M4xL16 T27	1	
39	848KH061D0	• PINION	1		177	3238-13150	• NUT	1	
41	06004-06202	• BEARING	1		178	T4950-63040	BOLT TORX M6xL30 T27	2	
43	04065-03515	• RING, SNAP	1						
44	3180-13330	• RING	1						
45	T4950-63540	• BOLT TORX	1						
46	848JL061F3	• HOLDER (A)	1						
47	848JL061L2	• PLATE	1						
48	848JL061G2	• HOLDER (B)	1						
49	848JL061K1	• NUT M12xP1.25	1						
50	848JL061J3	• COVER	1						
52	T4950-51200	• BOLT TORX M5xL12 T27	1						
53	848JL066C2	• PLATE	1						
90	848KH090R0	PLATE NAME	1						
91	6425-12552	PLATE	1						

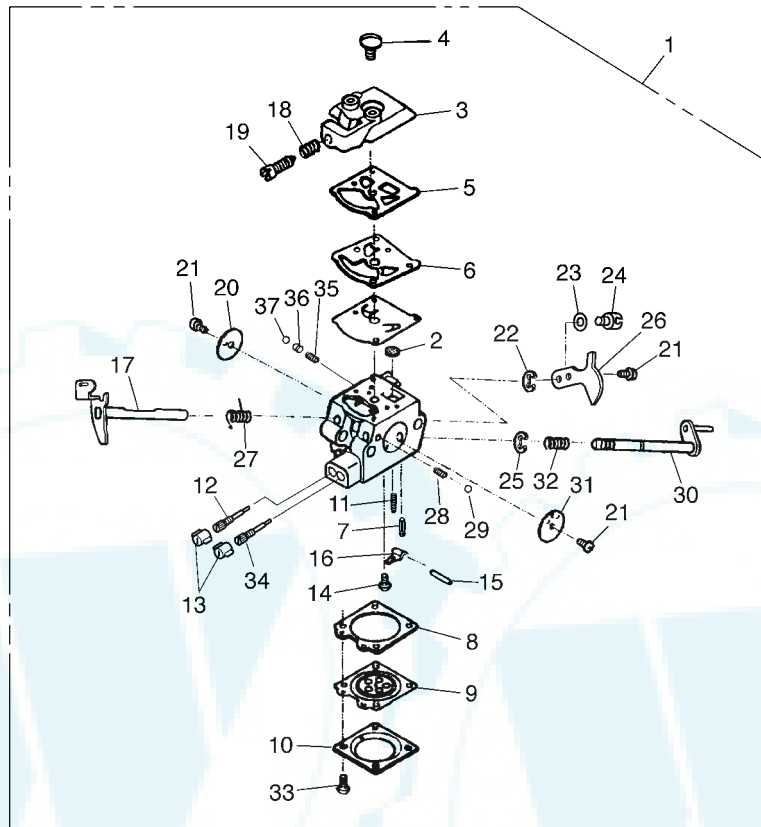
* No.45 (1252-30635) might be changed to T4950-63540 in the future.

Fig.5 ENGINE GROUP

Key#	PART NUMBER	DESCRIPTION	QTY /UNIT	NOTE	Key#	PART NUMBER	DESCRIPTION	QTY /UNIT	NOTE
1	848H701211	CYLINDER COMP.	1		86	848H7075E1	• SCREW	1	
2	848H7012C1	• COVER, TR, S	1		87	848H7075F1	• ROPE	1	
3	848H7012D1	• COVER, TR, F	1		88	848H7075J1	• KNOB	1	
4	848H7012E1	• GASKET, TR	2		89	848H7075G1	• STOPPER	1	
5	4820-16310	• BOLT TORX M4xL10 T27	8		90	848H707521	PULLEY ASSY	1	
6	848H7012B1	GASKET	1		92	848H7075R1	• RATCHET	2	
7	4820-12130	BOLT TORX M5xL22 T27	4		93	848H7075S0	• SPRING	2	
8	3699-91867	SPARK PLUG	1	CMR7H	94	1034-72180	• E RING	2	
9	848H702111	CRANKCASE COMP.	1		95	4820-32120	BOLT TORX	4	
10	2629-21130	• PIN	3		99	848H711400	INSULATOR ASSY	1	
11	T1400-21140	GASKET, CASE	1		100	848H7114F0	• TAPE	1	
12	84889F3511	BEARING	2		101	848H7082A1	PIPE	1	
13	T4019-21210	SEAL	1		102	848H7014B1	GASKET	1	
14	1400-21220	SEAL	1		103	848H7014C0	GASKET, CARB	1	
15	04065-03515	RING, SNAP	1		104	T4950-52021	BOLT TORX M5xL20 T27	3	
16	4820-21310	BOLT TORX M5xL30 T27	4		105	848H718101	CARBURETOR ASSY	1	
17	848H7041A2	PISTON	1		106	848H7082F0	KNOB	1	
18	T1400-41210	RING	2		107	2850-81900	PUMP	1	
19	2880-41310	PIN	1		108	8488F40450	TUBE	1	
20	3350-41320	SNAP RING	2		109	848H708311	BODY ASSY	1	
21	1400-41410	BEARING	1		110	848H708321	COVER ASSY	1	
22	2670-41510	WASHER	2		111	8488052011	• SCREW	2	
23	848H704201	CRANKSHAFT COMP.	1		112	848H7083Y0	• GUARD	1	
30	848H7115A1	MUFFLER	1		113	8488241600	• SCREW	1	
31	8488156700	BOLT TORX M5xL67 T27	2		114	848H7083F1	ELEMENT	1	
32	4820-85510	BOLT TORX M5xL16 T27	2		115	T4012-82510	PLATE	1	
33	848H7015C1	GASKET	1		116	4820-15310	BOLT TORX M5xL50 T27	2	
34	848H711530	PLATE	1		117	4820-85510	BOLT TORX M5xL16 T27	1	
35	848H7115F0	• TAPE	1		118	848H718220	BRACKET ASSY	1	
40	848H7053A2	COVER	1		119	T1610-13170	• SCREW	1	
41	4820-85510	BOLT TORX M5xL16 T27	4		120	0282-10604	• NUT	1	
42	848H713110	COVER-TOP ASSY	1		121	T4950-51011	BOLT TORX M5xL10 T27	1	
43	848H7131E0	• TAPE	1		122	848H7083Z1	WASHER	1	
45	T4970-52000	SCREW TORX 5xL20	2		123	848H7089C0	ROD	1	
46	T4950-51011	BOLT TORX M5xL10 T27	2		130	848H718500	TANK ASSY	1	
47	848H713700	BRACKET	1		131	T1015-85202	• CAP ASSY	1	
50	848H705110	SHOE COMP.	1		132	4500-85300	•• HOLDER ASSY	1	
51	1200-51211	SCREW	2		133	4500-85220	•• PACKING	1	
52	1200-51230	WASHER	2		134	5601-85260	•• FILTER	1	
53	1200-51241	WASHER	2		135	4820-85260	•• STOPPER	1	
60	848H707111	ROTOR	1		136	848H718530	• PIPE COMP.	1	
61	848H707121	COIL ASSY	1		137	3302-85400	• FILTER	1	
63	T4950-42200	BOLT TORX M4xL22 T27	2		138	2841-31280	• COLLER	1	
64	1260-71261	SPACER	2		139	T4950-53040	BOLT	4	
65	T1400-72110	CAP	1		150	848H7090B1	LABEL, COVER	1	
66	1900-72120	SPRING	1		151	848H7190C0	LABEL, RECOIL	1	
67	T1400-73200	CORD COMP.	1		152	2634-31420	LABEL (CE)	1	
68	1400-43230	NUT	1		153	8488X01200	LABEL	1	
69	1000-43240	KEY	1		160	6129-11100	HOUSING ASSY	1	
80	848H707511	RECOIL ASSY	1		161	6129-11110	• HOUSING	1	
82	848H7075C1	• REEL	1		162	06002-06001	• BEARING	1	
83	848H7075L1	• PLATE, CAM	1		163	04065-02812	• RING	1	
84	848H7075K1	• SPRING, DAMPER	1		164	3577-12200	• STOPPER COMP.	1	
85	848H7075B1	• SPRING, SPIRAL	1		165	6278-12311	• DRUM	1	
					166	04064-01210	• SNAP RING	1	
					167	T4950-62040	BOLT TORX M6xL20 T27	4	

BKZ5000DL

Fig.6 CARBURETOR



Key#	PART NUMBER	DESCRIPTION	Q'TY /UNIT	NOTE	Key#	PART NUMBER	DESCRIPTION	Q'TY /UNIT	NOTE
1	848H718101	CARBURETOR ASSY	1		24	1751-81141	• SWIVEL	1	
2	3306-81380	• SCREEN	1		25	1148-81390	• RING	1	
3	848H7181H0	• COVER	1		26	848H7181Z0	• LEVER, throttle	1	
4	3310-81130	• SCREW	1		27	2670-81410	• SPRING	1	
5	3304-81140	• GASKET	1		28	3350-81350	• SPRING	1	
6	1172-81150	• DIAPHRAGM	1		29	3350-81220	• BALL	1	
7	3356-81310	• VALVE	1		30	848H7181E0	• SHAFT ASSY, choke	1	
8	2850-81290	• GASKET	1		31	848H7180C0	• VALVE	1	
9	3310-81260	• DIAPHRAGM	1		32	3350-81391	• SPRING	1	
10	3310-81280	• COVER	1		33	3310-81351	• SCREW	1	
11	2867-81270	• SPRING	1		34	848H7181B0	• NEEDLE	1	
12	2812-81330	• NEEDLE	1		35	2810-81530	• SPRING	1	
13	3415-81490	• CAP	2		36	2812-81510	• PISTON	1	
14	3310-81240	• SCREW	1		37	2812-81520	• BALL	1	
15	3310-81250	• PIN	1						
16	3310-81230	• LEVER	1						
17	848H7181T0	• SHAFT	1						
18	1282-81460	• SPRING	1						
19	1145-81540	• SCREW	1						
20	2616-81340	• VALVE	1						
21	2880-81470	• SCREW	1						
22	1751-81130	• RING	1						
23	1751-81190	• WASHER	1						

www.ersatzteil-service.de

www.ersatzteilplan.de



Ihr Ersatzteilspezialist im Internet

www.ersatzteil-service.de

www.ersatzteilplan.de



ZENOAH
KOMATSU

KOMATSU ZENOAH CO.

1-9 Minamidai, Kawagoe, Saitama, 350-1192 Japan

PRINTED IN JAPAN

Ihr Ersatzteilspezialist im Internet

PRINTED ON RECYCLED PAPER
IMPRIMÉ SUR PAPIER RECYCLÉ
GEDRUCKT AUF RECYCLING PAPIER
STAMPATO SU CARTA RICICLATA
IMPRESO EN PAPEL RECICLADO