



PARTS LIST

BRUSHCUTTERS

BK2650DL

NOTE :

1. Use KOMATSU ZENOAH genuine parts as specified in the parts list for repair and/or replacement.
2. KOMATSU ZENOAH does not warrant the machines, which have been damaged by the use of any parts other than those specified by the company.
3. When placing parts orders for repair and/or replacement, check if the model name and the serial number are applicable to those specified in the parts list, then use parts number described in the parts list.
4. The contents described in the parts list are accurate as of the date and may change due to improvement.
5. The parts for the machine shall be supplied ten (10) years after the machine is discontinued. [It is possible that some specific parts may be subject to change of their delivery term and list price within the limit of ten (10) years after the machine is discontinued. It is also possible that some parts may be available even after the limit of ten (10) years.]

APPLICABLE SERIAL NUMBERS:

DRIVE UNIT	40600101	and up
ENGINE UNIT	40600101	and up

June 2004

BK2650DL

Fig.1 CUTTER GROUP

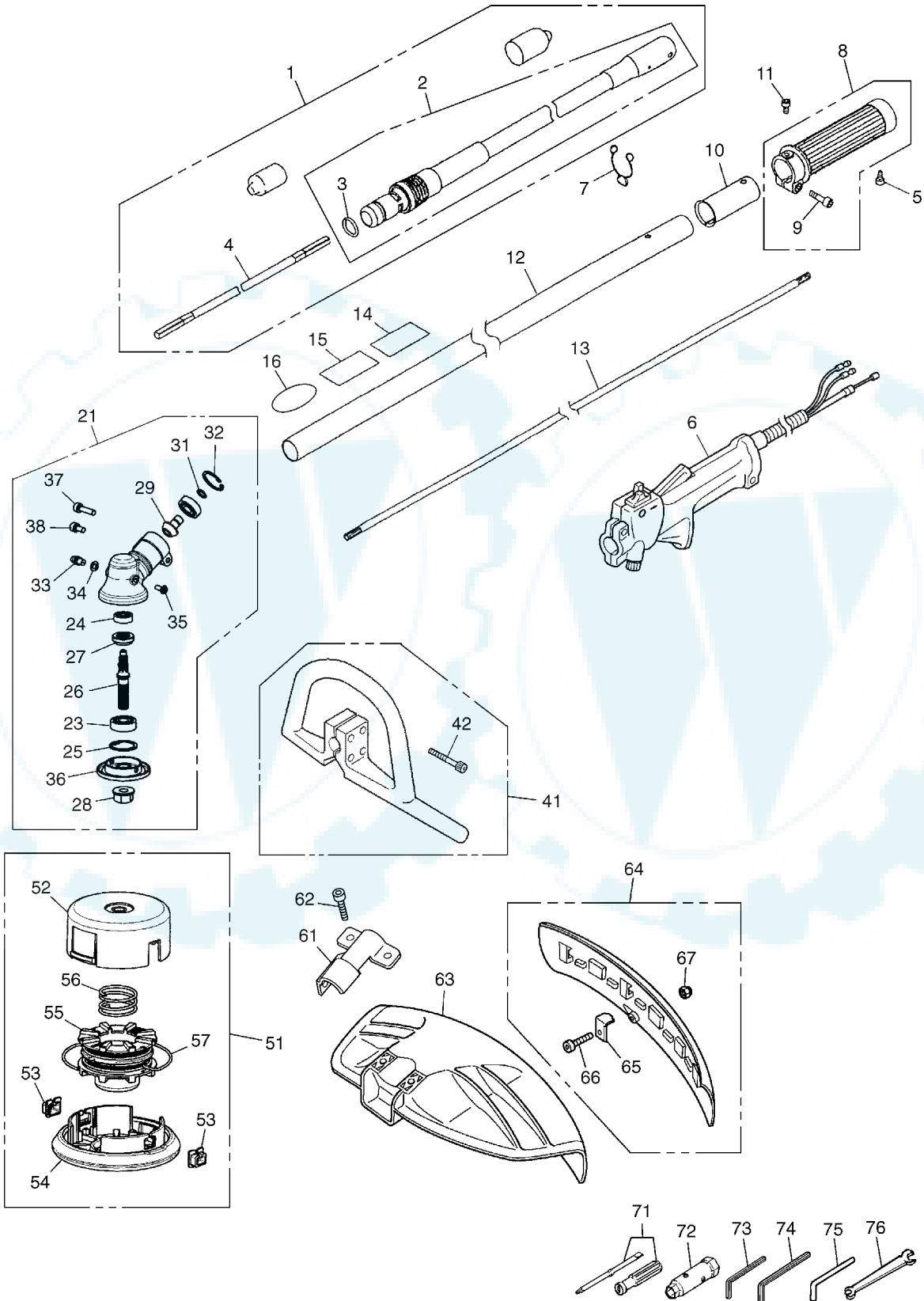


Fig.1 CUTTER GROUP

Key#	PART NUMBER	DESCRIPTION	Q'TY /UNIT	NOTE	Key#	PART NUMBER	DESCRIPTION	Q'TY /UNIT	NOTE
1	848KB05910	FLEX SHAFT ASSY	1		64	848JL06633	GURD ASSY	1	
2	848KB05920	• LINER COMP.	1		65	848JL066B2	• BLADE	1	
3	07000-12018	•• O-RING ø17.8X2.4	1		66	4820-72150	• BOLT TORX M4xL16 T27	1	
4	3570-21112	• SHAFT-FLEX	1		67	3238-13150	• NUT	1	
5	0263-10510	SCREW M5xL10	1		71	1030-91340	DRIVER	1	
6	38488R40140	LEVER ASSY	1		72	T3239-91310	SOCKET	1	
7	848BC059M0	CLAMP	3		73	09007-00425	WRENCH	1	
8	T3541-12401	• JOINT COMP.	1		74	09007-00528	WRENCH	1	
9	01252-30520	•• BOLT M5xL20	1		75	3540-91110	BAR	1	
10	T3543-12310	SPACER	1		76	3540-91120	SPANNER	1	
11	01252-30510	BOLT M5xL10	1						
12	T3400-11300	PIPE COMP.	1						
13	T3400-12211	SHAFT	1						
14	6425-12552	PLATE	1						
15	848K9590R0	PLATE	1						
16	848K9590U0	LABEL	1						
21	T3338-13000	GEARCASE ASSY	1						
23	06004-06000	• BEARING	1						
24	06000-00626	• BEARING	1						
25	04065-02612	• RING	1						
26	T3195-13210	• SHAFT	1						
27	T3300-93250	• GEAR	1						
28	T3002-13260	• NUT	1						
29	T3300-93310	• PINION	1						
31	3210-13330	• RING	1						
32	04065-02412	• RING	1						
33	3199-13350	• FITTING	1						
34	01641-20608	• WASHER	1						
35	0225-00410	• BOLT	1						
36	T3300-91340	• HOLDER (A)	1						
37	01252-30520	• BOLT	1						
38	01252-30512	• BOLT	1						
41	T3110-14000	HANDLE ASSY	1						
42	0263-90530	• SCREW	4						
51	T3189-15102	TAP HEAD COMP.	1						
52	T3189-15112	• CASE	1						
53	T3189-15191	• EYELET	2						
54	T3189-15132	• COVER	1						
55	T3189-15142	• CORD HOLDER	1						
56	T3189-15160	• SPRING	1						
57	T3189-15180	• CORD	1						
61	T3338-24120	CLAMP	1						
62	01252-30630	BOLT	2						
63	848JL066A3	GUARD	1						

BK2650DL

Fig.2 FRAME GROUP

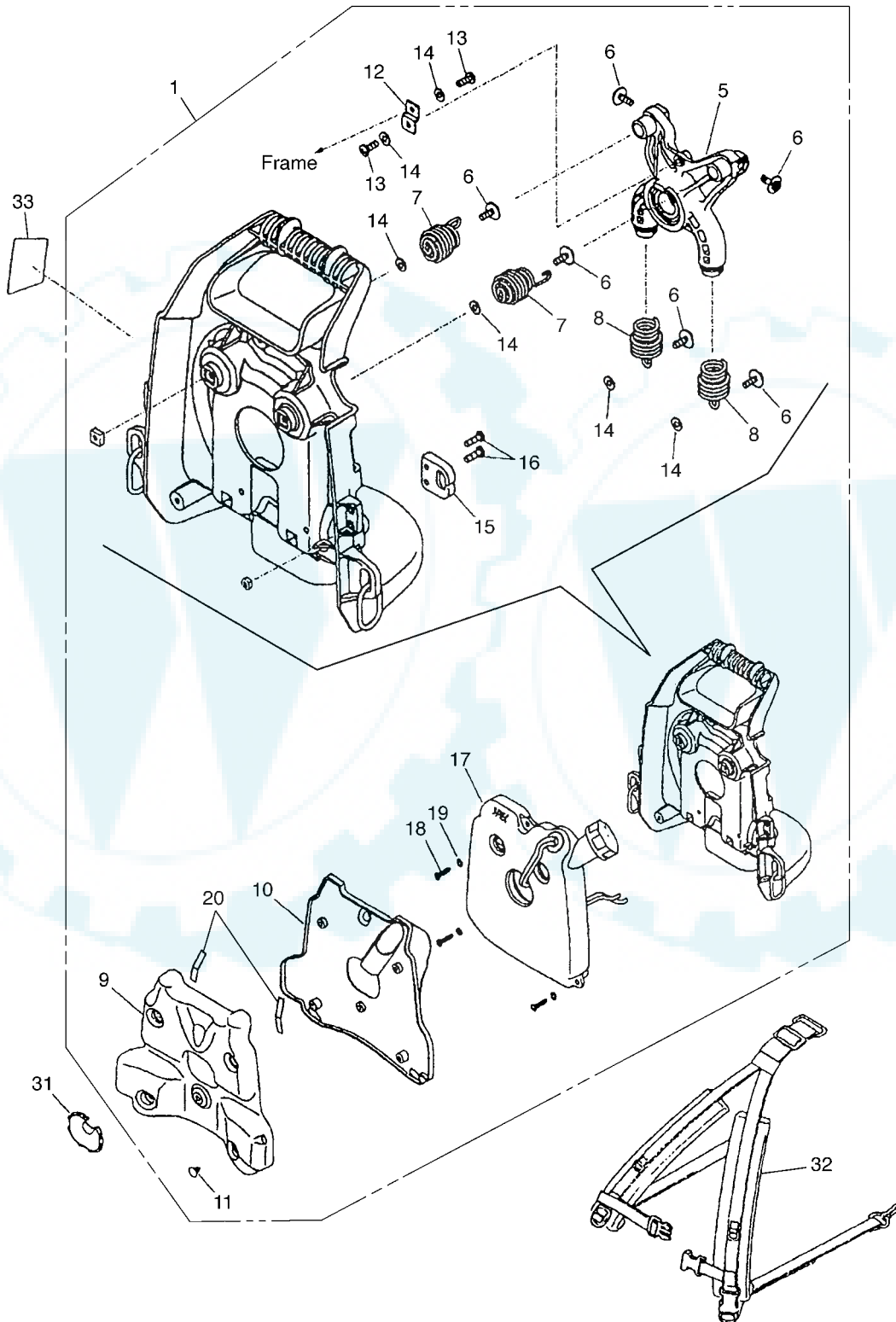


Fig.2 FRAME GROUP

Key#	PART NUMBER	DESCRIPTION	Q'TY /UNIT	NOTE	Key#	PART NUMBER	DESCRIPTION	Q'TY /UNIT	NOTE
1	T1828-35001	FRAME ASSY	1						
5	848EEN37C0	• PLATE E/G	1						
6	5910-85510	• SCREW	6						
7	T1828-35223	• SPRING UPPER	2						
8	T1828-35231	• SPRING LOWER	2						
9	T1828-35312	• PAD	1						
10	T1828-35321	• PLATE PAD	1						
11	5940-14350	• CRIP	5						
12	2841-32150	• STOPPER	1						
13	2630-75510	• SCREW	2						
14	01642-20508	• WASHER	6						
15	T1828-35420	• GUIDE ROPE	1						
16	0263-60516	• SCREW	2						
17	T1828-85000	• TANK ASSY	1						
18	2630-32610	• SCREW	3						
19	01641-20608	• WASHER	3						
20	T1828-35341	• TAPE	2						
31	T1828-35330	COVER	1						
32	T1828-37103	BAND ASSY	1						
33	848EG098R0	LABEL	1						

BK2650DL

Fig.3 ENGINE GROUP (1)

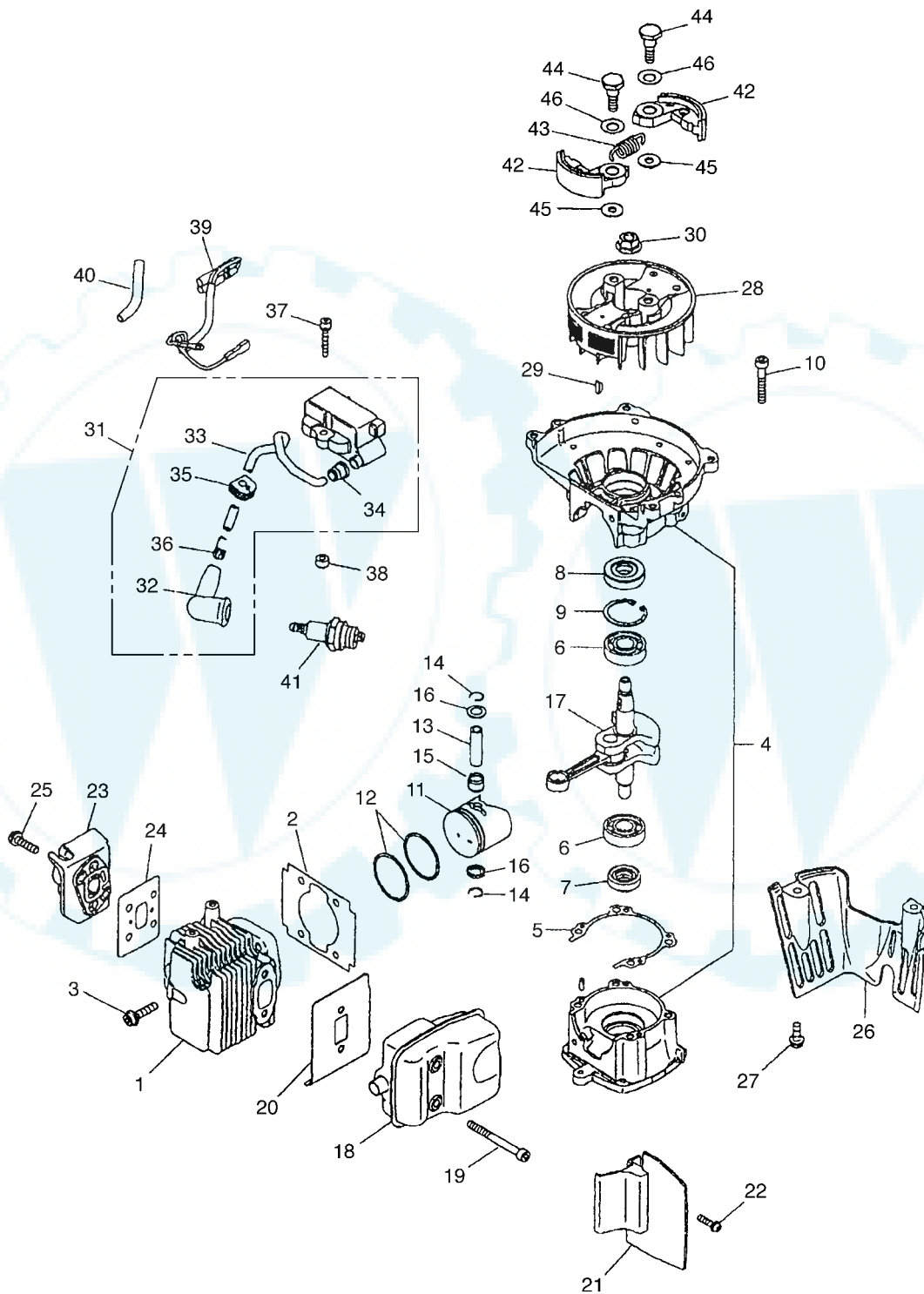
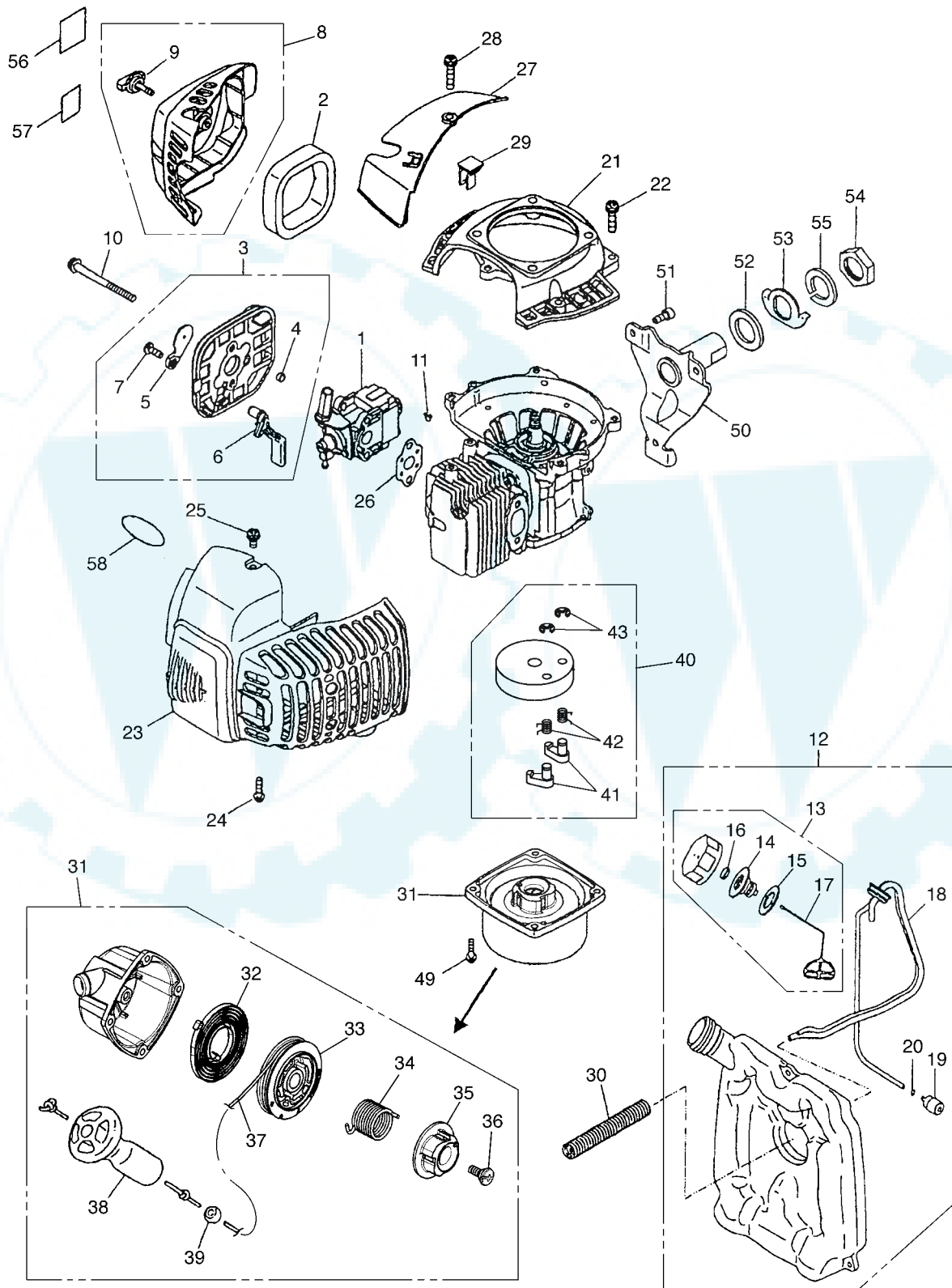


Fig.3 ENGINE GROUP (1)

Key#	PART NUMBER	DESCRIPTION	Q'TY /UNIT	NOTE	Key#	PART NUMBER	DESCRIPTION	Q'TY /UNIT	NOTE
1	1800-12110	CYLINDER	1						
2	5500-12213	GASKET	1						
3	1850-12130	BOLT M5xL22	2						
4	5500-21100	CRANKCASE COMP.	1						
5	5500-21141	GASKET	1						
6	06030-06001	BEARING	2						
7	2169-21210	SEAL	1						
8	1850-21220	SEAL	1						
9	04065-02812	RING	1						
10	01252-30530	BOLT M5xL30	4						
11	5910-41110	PISTON	1						
12	5910-41210	RING	2						
13	1600-41310	PIN	1						
14	1260-41320	RING	2						
15	5500-41410	BEARING	1						
16	1101-41340	WASHER	2						
17	5500-42001	CRANKSHAFT COMP.	1						
18	848EEN15A0	MUFFLER	1						
19	01252-30550	BOLT	2						
20	T1600-15210	GASKET	1						
21	5500-15221	PLATE	1						
22	0263-90416	SCREW	1						
23	T1700-13160	INSULATOR	1						
24	5500-13121	GASKET	1						
25	0263-90520	BOLT	2						
26	T1828-22111	GUARD	1						
27	0263-90514	SCREW M5xL14	2						
28	T1700-71110	ROTOR	1						
29	1000-43240	KEY	1						
30	1650-43230	NUT M8xP1.0	1						
31	T1700-71201	COIL ASSY	1						
32	5500-72110	• CAP	1						
33	T1700-71220	• CORD	1						
34	2616-71320	• CAP	1						
35	5500-72130	• GROMMET	1						
36	5500-72120	• SPRING	1						
37	3310-72150	BOLT	2						
38	T1700-71260	SPACER	2						
39	T1700-73200	CORD	1						
40	T3541-14720	TUBE	1						
41	5933-73110	SPARK PLUG NGK BPMR7A	1						
42	T1700-51100	SHOE COMP.	1						
43	T1700-51220	• SPRING	1						
44	1140-51250	SCREW	2						
45	1140-51230	WASHER	2						
46	T1600-51240	WASHER	2						

BK2650DL

Fig.4 ENGINE GROUP (2)



BK2650DL

Fig.4 ENGINE GROUP (2)

Key#	PART NUMBER	DESCRIPTION	Q'TY /UNIT	NOTE	Key#	PART NUMBER	DESCRIPTION	Q'TY /UNIT	NOTE
1	848EEN8100	CARBURETOR ASSY	1		55	848EEN35A0	SPRING WASHER	1	
2	5500-82171	ELEMENT	1		56	2634-31420	LABEL (CE)	1	
3	T1828-82100	BODY ASSY	1		57	8488X01180	LABEL	1	
4	1970-82190	• SLEEVE	2		58	T1807-31130	LABEL	1	
5	1700-82130	• PLATE, CHOKE	1						
6	T1828-82140	• LEVER	1						
7	2630-33610	• SCREW	1						
8	T1701-82200	COVER ASSY	1						
9	5500-82221	• KNOB	1						
10	0263-90560	SCREW	2						
11	6086-85470	CLIP	1						
12	T1828-85000	TANK ASSY	1						
13	T1015-85202	• CAP ASSY	1						
14	4500-85300	•• HOLDER ASSY	1						
15	4500-85220	•• PACKING	1						
16	5601-85260	•• FILTER	1						
17	4820-85260	•• STOPPER	1						
18	T1828-85300	• PIPE COMP	1						
19	5500-85400	• FILTER	1						
20	1260-85460	• CLIP	1						
21	T1815-31110	COVER FAN	1						
22	0263-90520	SCREW	4						
23	848EEN31A0	COVER ENGINE	1						
24	T1700-32162	SCREW M4xL16	1						
25	0263-90510	SCREW	1						
26	5500-13131	GASKET	1						
27	T1828-32122	COVER	1						
28	0263-90525	SCREW	1						
29	T1600-72210	CLAMP	1						
30	8488H21701	TUBE	1						
31	848EG07510	RECOIL ASSY	1						
32	1850-75130	• SPRING	1						
33	848E4075C0	• REEL	1						
34	848E4075G0	• SPRING	1						
35	848E4075D0	• PULLER, ratchet	1						
36	848E4075E0	• SCREW	1						
37	848EG075F0	• ROPE	1						
38	T1828-75311	• KNOB	1						
39	T1828-75320	• BALL	1						
40	848E407520	PULLER ASSY	1						
41	848E4075R0	• RATCHET	1						
42	848E4075S0	• SPRING	2						
43	848E4075T0	• E-RING	1						
49	T1700-32160	SCREW	4						
50	T1828-87112	BRACKET	1						
51	01252-30512	BOLT	3						
52	T1828-87131	WASHER	1						
53	T1828-87120	PLATE	1						
54	T1828-85520	NUT	1						

BK2650DL

Fig.5 ENGINE GROUP (3)

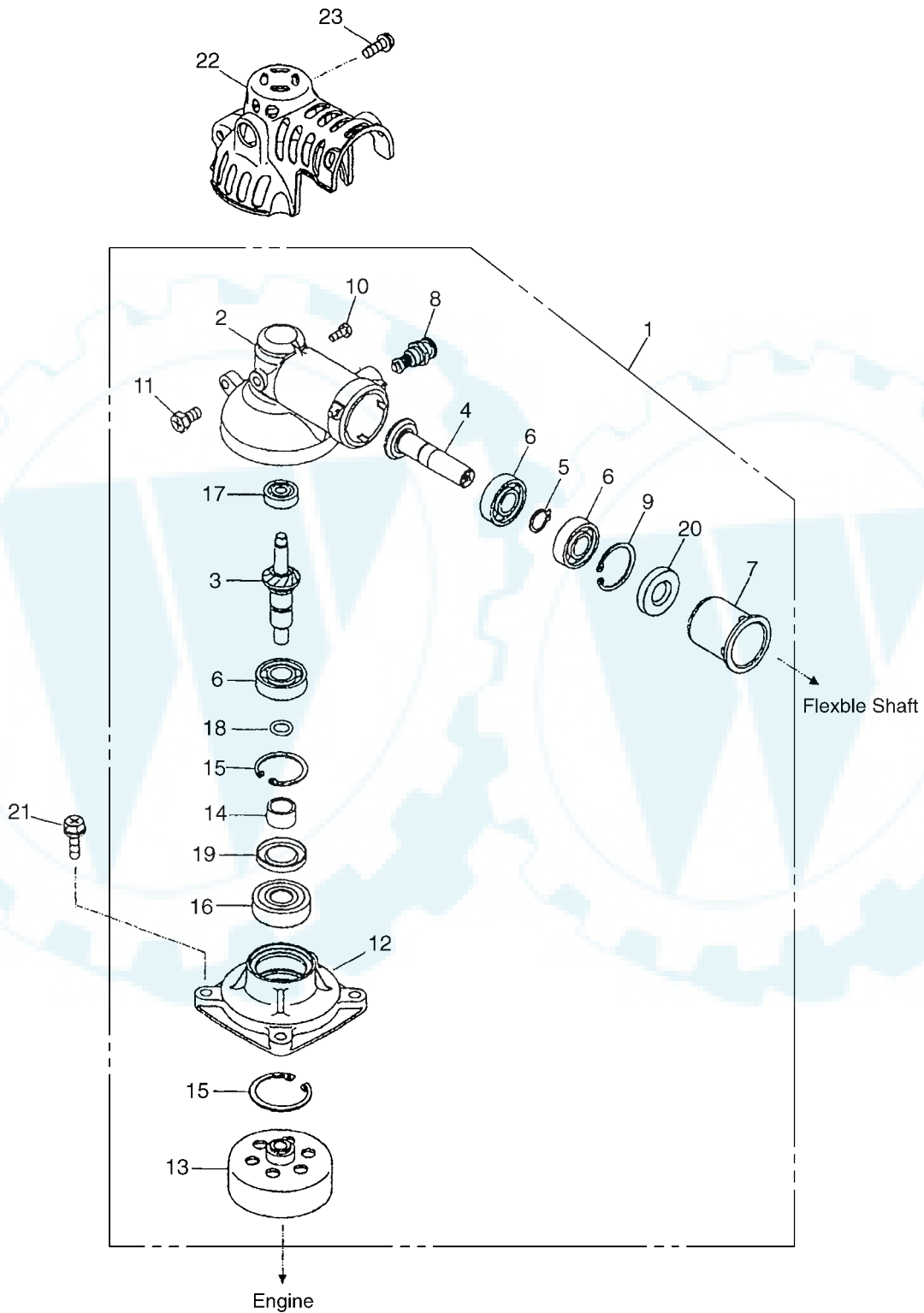
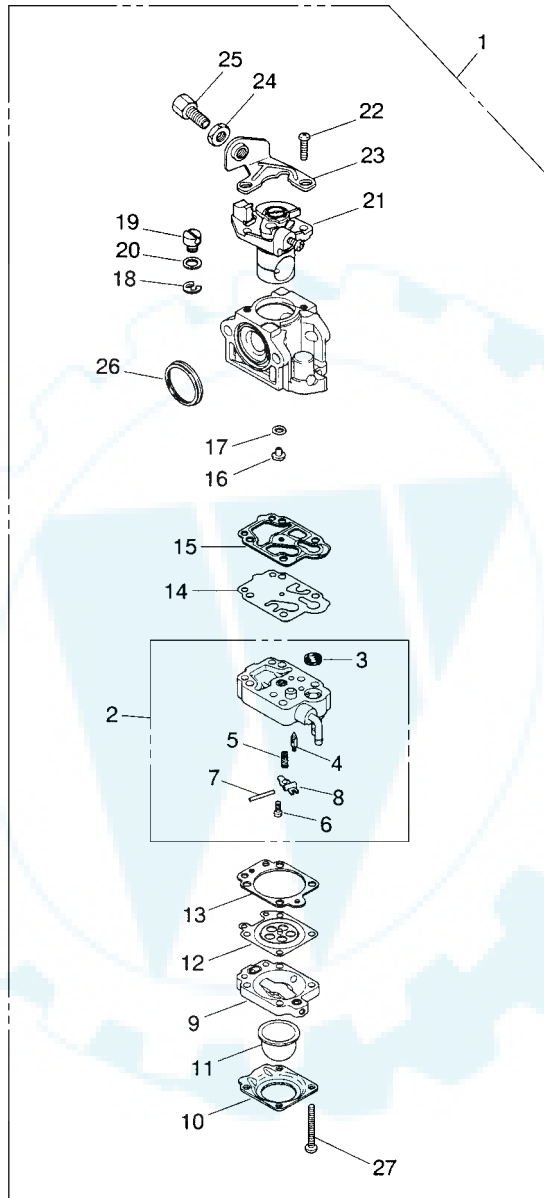


Fig.5 ENGINE GROUP (3)

Key#	PART NUMBER	DESCRIPTION	Q'TY /UNIT	NOTE	Key#	PART NUMBER	DESCRIPTION	Q'TY /UNIT	NOTE
1	T1828-33005	GERCASE ASSY	1						
2	T1828-33314	•HOUSING, gear	1						
3	T1828-33322	•GEAR	1						
4	T1828-33333	•PINION	1						
5	04064-01210	•SNAP RING	1						
6	06030-06001	•BEARING	3						
7	T1828-33341	•SPACER	1						
8	3577-12200	•STOPPER COMP.	1						
9	04065-02812	•RING	2						
10	0225-00410	•BOLT	1						
11	0225-00612	•BOLT	1						
12	T1828-33412	•HOUSING, drum	1						
13	T1828-33421	•DRUM	1						
14	T1828-33432	•COLLAR	1						
15	04065-03212	•SNAP RING ø32	1						
16	06032-06201	•BEARING	1						
17	06030-00626	•BEARING	1						
18	07000-11009	•O-RING	1						
19	T1828-33360	•SEAL	1						
20	T1828-33390	•SEAL	1						
21	6468-91150	BOLT M6x20	4						
22	T1828-33482	COVER	1						
23	0263-90516	SCREW	1						

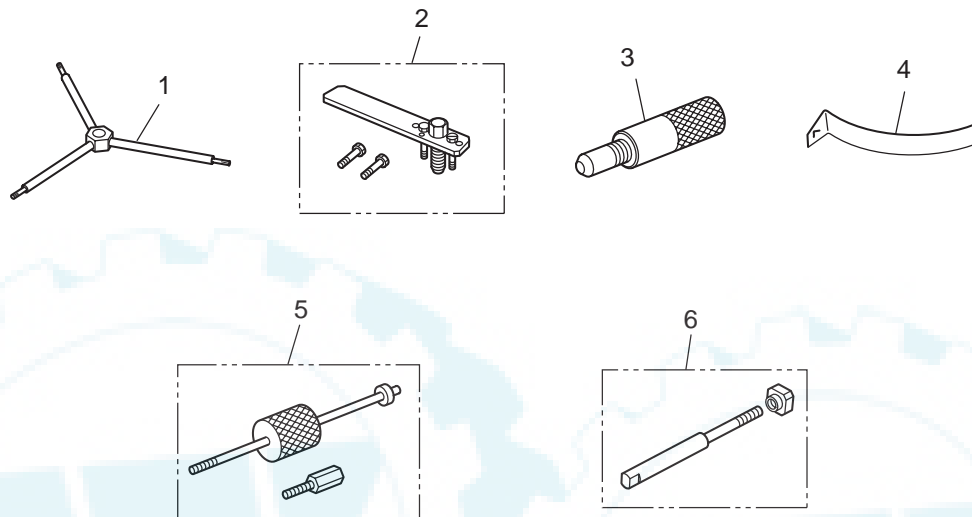
BK2650DL

Fig.6 CARBURETOR



Key#	PART NUMBER	DESCRIPTION	Q'TY /UNIT	NOTE
1	848EEN8100	CARBURETOR ASSY	1	
2	1794-81450	• BODY ASSY	1	
3	3306-81380	•• SCREEN	1	
4	3356-81310	•• VALVE	1	
5	1794-81270	•• SPRING	1	
6	1850-81220	•• SCREW	1	
7	3310-81250	•• PIN	1	
8	3310-81230	•• LEVER	1	
9	1850-81490	• BODY	1	
10	1850-81520	• COVER	1	
11	1751-81510	• PUMP	1	
12	4810-81260	• DIAPHRAGM	1	
13	1850-81470	• GASKET	1	
14	1065-81420	• DIAPHRAGM	1	
15	1065-81410	• GASKET	1	
16	T1513-81250	• JET	1	
17	1751-81240	• O-RING	1	
18	1751-81130	• RING	1	
19	1881-81140	• SWIVEL	1	
20	5500-81160	• WASHER	1	
21	T1700-81150	• VALVE ASSY	1	
22	1752-81110	• SCREW	2	
23	5500-81120	• BRACKET	1	
24	0282-10604	• NUT	1	
25	5730-81170	• SCREW	1	
26	1881-81130	• RING	1	
27	1850-81530	• SCREW	4	

Fig.7 SPECIAL TOOLS



Key#	PART NUMBER	DESCRIPTION	Q'TY /UNIT	NOTE
1	3304-97611	HEXAGON WRENCH	1	suitable for M4, M5, M6 BOLT
2	2890-96100	PULLER ASSY	1	for remove ROTOR
3	4810-96220	STOPPER	1	for lock the moving of PISTON
4	3350-96240	GAUGE	1	for adjust AIR-GAP
5	848EEN9710	PULLER COMP.	1	for attach and remove RECOIL PULLEY
6	1101-96220	ROD ASSY	1	for attach and remove PISTON PIN

www.ersatzteil-service.de

www.ersatzteilplan.de



ZENOAH
KOMATSU

KOMATSU ZENOAH CO.

1-9 Minamidai, Kawagoe, Saitama, 350-1192 Japan

PRINTED IN JAPAN

Ihr Ersatzteilspezialist im Internet

PRINTED ON RECYCLED PAPER
IMPRIMÉ SUR PAPIER RECYCLÉ
GEDRUCKT AUF RECYCLING PAPIER
STAMPATO SU CARTA RICICLATA
IMPRESO EN PAPEL RECICLADO