



PARTS LIST

BRUSHCUTTERS

BC2603DL
BC2603DW

NOTE :

1. Use KOMATSU ZENOAH genuine parts as specified in the parts list for repair and/or replacement.
2. KOMATSU ZENOAH does not warrant the machines, which have been damaged by the use of any parts other than those specified by the company.
3. When placing parts orders for repair and/or replacement, check if the model name and the serial number are applicable to those specified in the parts list, then use parts number described in the parts list.
4. The contents described in the parts list are accurate as of the date and may change due to improvement.
5. The parts for the machine shall be supplied ten (10) years after the machine is discontinued. [It is possible that some specific parts may be subject to change of their delivery term and list price within the limit of ten (10) years after the machine is discontinued. It is also possible that some parts may be available even after the limit of ten (10) years.]

APPLICABLE SERIAL NUMBERS:

40100101 and up

January 2004

BC2603DL

Fig.1 CUTTER GROUP

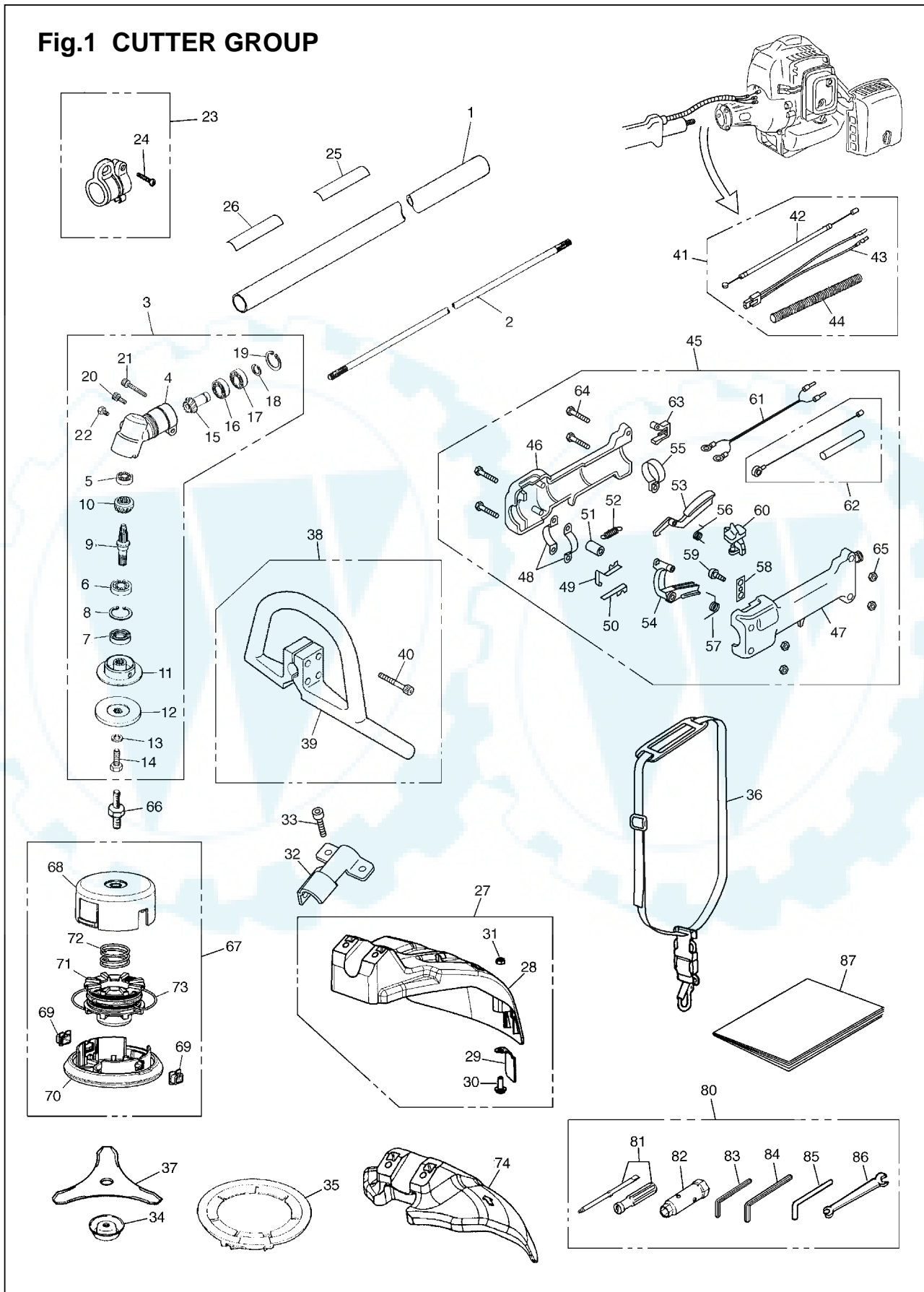


Fig.1 CUTTER GROUP

| Key# | PART NUMBER | DESCRIPTION | Q'TY /UNIT | NOTE | Key# | PART NUMBER | DESCRIPTION | Q'TY /UNIT | NOTE |
|------|--------------|-------------------------|------------|----------|------|----------------|------------------|------------|------|
| 1 | T3147-11300 | PIPE COMP, 1500x24xT1.5 | 1 | | 53 | K2300-000260 | • SAFETY LEVER | 1 | |
| 2 | 3520-12213 | SHAFT, spline ø7x7teeth | 1 | 1536x7 | 54 | K2300-000250 | • THROTTLE LEVER | 1 | |
| 3 | 848JA06100 | GEARCASE ASSY | 1 | | 55 | K3200-000380 | • CLAMP (B) | 1 | |
| 4 | 6440-13122 | • GEARCASE | 1 | | 56 | K5100-000230 | • SPRING | 1 | |
| 5 | 06000-00626 | • BEARING | 1 | | 57 | K5100-000210 | • SPRING | 1 | |
| 6 | 06000-06000 | • BEARING | 1 | | 58 | K2300-000270 | • PLATE | 1 | |
| 7 | 3565-13130 | • SEAL | 1 | | 59 | B1122-C2910H | • SCREW | 1 | |
| 8 | 04065-02612 | • RING | 1 | | 60 | K2300-000280 | • SWITCH | 1 | |
| 9 | 6440-13211 | • SHAFT | 1 | | 61 | K5200-000090 | • CORD | 1 | |
| 10 | 6440-13220 | • GEAR | 1 | | 62 | K5100-000270 | • CABLE COMP | 1 | |
| 11 | 6440-13242 | • HOLDER(A) | 1 | | | _____ | • THROTTLE CABLE | 1 | |
| 12 | 6019-13250 | • HOLDER(B) | 1 | | | _____ | • SLEEVE | 1 | |
| 13 | 3560-13290 | • WASHER | 1 | | 63 | K2300-000390 | • LID | 1 | |
| 14 | 3560-13261 | • BOLT | 1 | M7x25(L) | 64 | B1176-090530 | • SCREW | 4 | |
| 15 | T3002-13310 | • PINION | 1 | | 65 | B1181-04054506 | • NUT | 4 | |
| 16 | 06000-00609 | • BEARING | 1 | | 66 | 6041-99240 | SHAFT | 1 | |
| 17 | 06001-00609 | • BEARING | 1 | | 67 | T3189-15102 | TAP HEAD COMP. | 1 | |
| 18 | T3300-13330 | • RING | 1 | | 68 | T3189-15112 | • CASE | 1 | |
| 19 | 04065-02412 | • RING | 1 | | 69 | T3189-15191 | • EYELET | 2 | |
| 20 | 01252-30512 | • BOLT | 1 | | 70 | T3189-15132 | • COVER | 1 | |
| 21 | 3350-21320 | • BOLT | 1 | M5x30 | 71 | T3189-15142 | • CORD HOLDER | 1 | |
| 22 | 0224-40610 | • BOLT | 1 | | 72 | T3189-15160 | • SPRING | 1 | |
| 23 | T3300-17202 | HANGER COMP | 1 | | 73 | T3189-15180 | • CORD | 1 | |
| 24 | 0263-90520 | • SCREW | 1 | | 74 | T3246-24110 | GUARD | 1 | |
| 25 | 848JA190R0 | PLATE NAME | 1 | | 80 | 3532-91000 | TOOL-SET | 1 | |
| 26 | 6425-12552 | PLATE CAUTION | 1 | | 81 | 1030-91340 | • DRIVER | 1 | |
| 27 | T3245-24100 | GUARD COMP | 1 | | 82 | T3239-91310 | • SOCKET | 1 | |
| 28 | T3245-24110 | • GUARD | 1 | | 83 | 09007-00425 | • WRENCH | 1 | |
| 29 | T3002-24121 | • BLADE | 1 | | 84 | 09007-00528 | • WRENCH | 1 | |
| 30 | T4960-51431 | • SCREW TORX | 2 | | 85 | 3540-91110 | • BAR | 1 | |
| 31 | 3320-15310 | • NUT | 2 | | 86 | 3540-91120 | • SPANNER | 1 | |
| 32 | 848JC066C1 | BRACKET | 1 | | 87 | 848JA093A0 | MANUAL | 1 | |
| 33 | 01252-30630 | BOLT | 2 | | | | | | |
| 34 | 3560-13284 | COVER(BOLT) | 1 | | | | | | |
| 35 | 6251-15910 | COVER(BLADE) | 1 | | | | | | |
| 36 | T3300-17100 | STRAP ASSY | 1 | | | | | | |
| 37 | 6298-E3390 | BLADE | 1 | | | | | | |
| 38 | T3110-14000 | HANDLE ASSY | 1 | | | | | | |
| 39 | T3110-14110 | • HANDLE | 1 | | | | | | |
| 40 | 0263-90530 | • SCREW | 4 | | | | | | |
| 41 | 5548-83000 | CABLE ASSY | 1 | | | | | | |
| 42 | 5548-83100 | • CABLE COMP | 1 | | | | | | |
| 43 | 5548-73200 | • CORD COMP | 1 | | | | | | |
| 44 | 5548-73310 | • TUBE | 1 | | | | | | |
| 45 | T3110-18000 | GRIP ASSY | 1 | | | | | | |
| 46 | K2300-000240 | • GRIP (R) | 1 | | | | | | |
| 47 | K2300-000230 | • GRIP (L) | 1 | | | | | | |
| 48 | K3200-000370 | • CLAMP (A) | 1 | | | | | | |
| 49 | K3300-000010 | • PLATE (A) | 1 | | | | | | |
| 50 | K3300-000020 | • PLATE (B) | 1 | | | | | | |
| 51 | K5100-000240 | • COLLAR | 1 | | | | | | |
| 52 | K5100-000220 | • SPRING | 1 | | | | | | |

BC2603DW

Fig.2 CUTTER GROUP

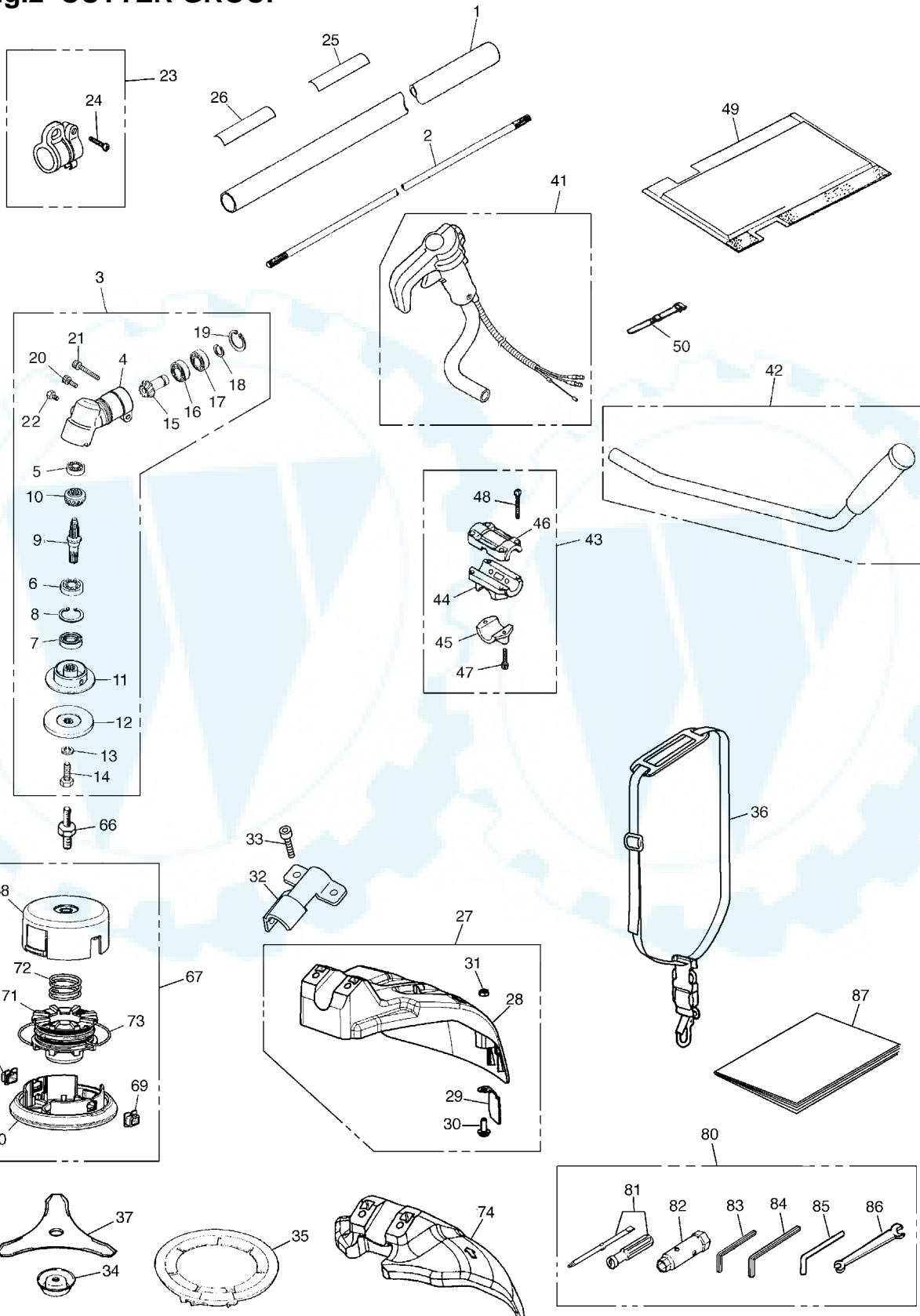
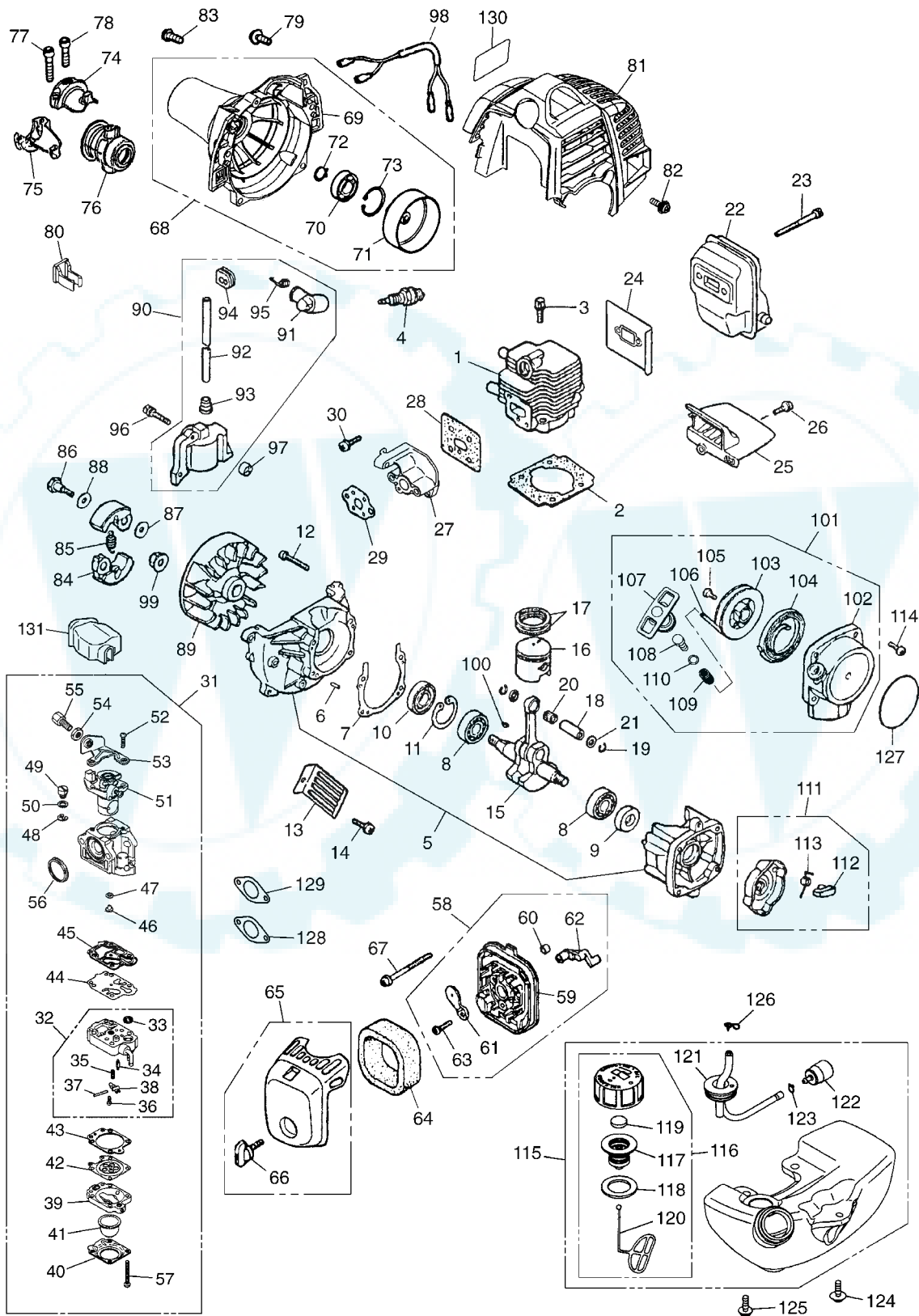


Fig.2 CUTTER GROUP

| Key# | PART NUMBER | DESCRIPTION | Q'TY /UNIT | NOTE | Key# | PART NUMBER | DESCRIPTION | Q'TY /UNIT | NOTE |
|------|-------------|-------------------------|------------|----------|------|-------------|---------------|------------|------|
| 1 | T3147-11300 | PIPE COMP, 1500x24xT1.5 | 1 | | 69 | T3189-15191 | • EYELET | 2 | |
| 2 | 3520-12213 | SHAFT, spline ø7x7teeth | 1 | 1536x7 | 70 | T3189-15132 | • COVER | 1 | |
| 3 | 848JA06100 | GEARCASE ASSY | 1 | | 71 | T3189-15142 | • CORD HOLDER | 1 | |
| 4 | 6440-13122 | • GEARCASE | 1 | | 72 | T3189-15160 | • SPRING | 1 | |
| 5 | 06000-00626 | • BEARING | 1 | | 73 | T3189-15180 | • CORD | 1 | |
| 6 | 06000-06000 | • BEARING | 1 | | 74 | T3246-24110 | GUARD | 1 | |
| 7 | 3565-13130 | • SEAL | 1 | | 80 | 3532-91000 | TOOL-SET | 1 | |
| 8 | 04065-02612 | • RING | 1 | | 81 | 1030-91340 | • DRIVER | 1 | |
| 9 | 6440-13211 | • SHAFT | 1 | | 82 | T3239-91310 | • SOCKET | 1 | |
| 10 | 6440-13220 | • GEAR | 1 | | 83 | 09007-00425 | • WRENCH | 1 | |
| 11 | 6440-13242 | • HOLDER(A) | 1 | | 84 | 09007-00528 | • WRENCH | 1 | |
| 12 | 6019-13250 | • HOLDER(B) | 1 | | 85 | 3540-91110 | • BAR | 1 | |
| 13 | 3560-13290 | • WASHER | 1 | | 86 | 3540-91120 | • SPANNER | 1 | |
| 14 | 3560-13261 | • BOLT | 1 | M7x25(L) | 87 | 848JA093A0 | MANUAL | 1 | |
| 15 | T3002-13310 | • PINION | 1 | | | | | | |
| 16 | 06000-00609 | • BEARING | 1 | | | | | | |
| 17 | 06001-00609 | • BEARING | 1 | | | | | | |
| 18 | T3300-13330 | • RING | 1 | | | | | | |
| 19 | 04065-02412 | • RING | 1 | | | | | | |
| 20 | 01252-30512 | • BOLT | 1 | | | | | | |
| 21 | 3350-21320 | • BOLT | 1 | M5x30 | | | | | |
| 22 | 0224-40610 | • BOLT | 1 | | | | | | |
| 23 | T3300-17202 | HANGER COMP | 1 | | | | | | |
| 24 | 0263-90520 | • SCREW | 1 | | | | | | |
| 25 | 848JA190R0 | PLATE NAME | 1 | | | | | | |
| 26 | 6425-12552 | PLATE CAUTION | 1 | | | | | | |
| 27 | T3245-24100 | GUARD COMP | 1 | | | | | | |
| 28 | T3245-24110 | • GUARD | 1 | | | | | | |
| 29 | T3002-24121 | • BLADE | 1 | | | | | | |
| 30 | T4960-51431 | • SCREW TORX | 2 | | | | | | |
| 31 | 3320-15310 | • NUT | 2 | | | | | | |
| 32 | 848JC066C1 | BRACKET | 1 | | | | | | |
| 33 | 01252-30630 | BOLT | 2 | | | | | | |
| 34 | 3560-13284 | COVER(BOLT) | 1 | | | | | | |
| 35 | 6251-15910 | COVER(BLADE) | 1 | | | | | | |
| 36 | T3300-17100 | STRAP ASSY | 1 | | | | | | |
| 37 | 6298-E3390 | BLADE | 1 | | | | | | |
| 41 | T3111-14100 | HANDLE-R-ASSY | 1 | | | | | | |
| 42 | T3111-14300 | HANDLE-L-COMP | 1 | | | | | | |
| 43 | 3583-14101 | BRACKET-ASSY | 1 | | | | | | |
| 44 | 3583-14111 | • BRACKET | 1 | | | | | | |
| 45 | 3583-14121 | • CAP-L | 1 | | | | | | |
| 46 | 3257-14192 | • CAP-U | 1 | | | | | | |
| 47 | 01252-30522 | • BOLT | 2 | | | | | | |
| 48 | 01252-30525 | • BOLT | 4 | | | | | | |
| 49 | 4050-17110 | PROTECTOR | 1 | | | | | | |
| 50 | 3540-93120 | BAND | 1 | | | | | | |
| 66 | 6041-99240 | SHAFT | 1 | | | | | | |
| 67 | T3189-15102 | TAP HEAD COMP. | 1 | | | | | | |
| 68 | T3189-15112 | • CASE | 1 | | | | | | |

BC2603DL/BC2603DW

Fig.3 ENGINE GROUP



BC2603DL/BC2603DW

Fig.3 ENGINE GROUP

| Key# | PART NUMBER | DESCRIPTION | Q'TY /UNIT | NOTE | Key# | PART NUMBER | DESCRIPTION | Q'TY /UNIT | NOTE |
|------|-------------|----------------------|------------|---------|------|-------------|-----------------|------------|------|
| 1 | T1800-12110 | CYLINDER | 1 | | 68 | T1702-31101 | HOUSING-ASS'Y | 1 | |
| 2 | 5500-12213 | GASKET, base | 1 | | 69 | T1701-31111 | • HOUSING | 1 | |
| 3 | 1850-12130 | BOLT | 2 | | 70 | T1701-31150 | • BEARING | 1 | |
| 4 | 5933-73110 | PLUG, BPMR7A | 1 | | 71 | 848F3051A1 | • DRUM | 1 | |
| 5 | 5500-21100 | CRANKCASE-C | 1 | | 72 | 04064-01210 | • RING | 1 | |
| 6 | 2629-21130 | • PIN | 3 | | 73 | 04065-02812 | • RING | 1 | |
| 7 | 5500-21141 | GASKET | 1 | | 74 | T1700-31212 | BRACKET (A) | 1 | |
| 8 | 06030-06001 | BEARING | 2 | | 75 | T1700-31221 | BRACKET (B) | 1 | |
| 9 | 2169-21210 | SEAL | 1 | | 76 | T1700-31232 | CUSHION | 1 | |
| 10 | 1850-21220 | SEAL | 1 | | 77 | 01252-30522 | BOLT | 2 | |
| 11 | 04065-02812 | SNAP RING | 1 | | 78 | 01252-30510 | BOLT | 1 | |
| 12 | 01252-30530 | BOLT | 4 | | 79 | 0263-90520 | SCREW | 4 | |
| 13 | 5500-22110 | GUARD | 1 | | 80 | T1600-72210 | CLAMP | 1 | |
| 14 | 0263-90514 | SCREW | 1 | | 81 | T1700-32111 | COVER, engine | 1 | |
| 15 | 5500-42001 | CRANKSHAFT-C | 1 | | 82 | T1700-32162 | SCREW | 1 | |
| 16 | 5910-41110 | PISTON | 1 | | 83 | 0263-90514 | SCREW M5x14 | 1 | |
| 17 | 5910-41210 | RING | 2 | | 84 | 1140-51110 | SHOE | 2 | |
| 18 | 1600-41310 | PIN | 1 | | 85 | T1700-51220 | SPRING | 1 | |
| 19 | 1260-41320 | RING | 2 | | 86 | 1140-51250 | SCREW | 2 | |
| 20 | 5500-41410 | BEARING | 1 | | 87 | 1140-51230 | WASHER | 2 | |
| 21 | 1101-41340 | WASHER | 2 | | 88 | 1970-51241 | WASHER | 2 | |
| 22 | T1700-15110 | MUFFLER | 1 | | 89 | T1700-71110 | ROTOR | 1 | |
| 23 | 01252-30550 | BOLT | 2 | | 90 | T1700-71201 | COIL-A | 1 | |
| 24 | T1600-15210 | GASKET | 1 | | 91 | 5500-72110 | • CAP | 1 | |
| 25 | 5500-15221 | PLATE | 1 | | 92 | T1700-71220 | • CORD | 1 | |
| 26 | 0263-90416 | SCREW | 1 | | 93 | 2616-71320 | • CAP | 1 | |
| 27 | T1700-13160 | INSULATOR | 1 | | 94 | 5500-72130 | • GROMMET | 1 | |
| 28 | 5500-13121 | GASKET, insulator | 1 | | 95 | 5500-72120 | • SPRING | 1 | |
| 29 | 5500-13131 | GASKET, carburetor | 1 | | 96 | 3310-72150 | BOLT | 2 | |
| 30 | 0263-90520 | SCREW | 2 | | 97 | T1700-71260 | SPACER | 2 | |
| 31 | T1800-81000 | CARBURETOR-A | 1 | WYJ-290 | 98 | T1700-73200 | CORD-C | 1 | |
| 32 | 1794-81450 | • BODY-A | 1 | | 99 | 1650-43230 | NUT | 1 | |
| 33 | 3306-81380 | •• SCREEN | 1 | | 100 | 1000-43240 | KEY | 1 | |
| 34 | 3356-81310 | •• VALVE, inlet | 1 | | 101 | T1700-75100 | RECOIL ASS'Y | 1 | |
| 35 | 1794-81270 | •• SPRING | 1 | | 102 | 5500-75110 | • CASE-C | 1 | |
| 36 | 1850-81220 | •• SCREW | 1 | | 103 | 1850-75120 | • REEL | 1 | |
| 37 | 3310-81250 | •• PIN | 1 | | 104 | 1850-75130 | • SPRING | 1 | |
| 38 | 3310-81230 | •• LEVER | 1 | | 105 | 1850-75151 | • SCREW | 1 | |
| 39 | 1850-81490 | • BODY | 1 | | 106 | T1600-75160 | • ROPE | 1 | |
| 40 | 1850-81520 | • COVER, pump | 1 | | 107 | T1600-75310 | • KNOB | 1 | |
| 41 | 1751-81510 | • PUMP, primer | 1 | | 108 | T1600-75321 | • COLLAR | 1 | |
| 42 | 3310-81260 | • DIAPHRAM, metaling | 1 | | 109 | T1600-75330 | • SPRING | 1 | |
| 43 | 1850-81470 | • GASKET | 1 | | 110 | T1600-75210 | • WASHER | 1 | |
| 44 | 1065-81420 | • DIAPHRAGM, pump | 1 | | 111 | 1850-75201 | PULLEYASS'Y | 1 | |
| 45 | 1065-81410 | • GASKET | 1 | | 112 | 1850-75221 | • RATCHET | 1 | |
| 46 | T1800-81250 | • JET | 1 | #39.5 | 113 | 1850-75230 | • SPRING | 1 | |
| 47 | 1751-81240 | • O-RING | 1 | | 114 | T1700-32162 | SCREW | 4 | |
| 48 | 1751-81130 | • RING | 1 | | 115 | T1800-85001 | TANK ASS'Y | 1 | |
| 49 | 1881-81140 | • SWIVEL | 1 | | 116 | 5607-85201 | • CAP ASS'Y | 1 | |
| 50 | 5500-81160 | • WASHER | 1 | | 117 | 5601-85300 | •• HOLDER ASS'Y | 1 | |
| 51 | T1700-81150 | • VALVE ASSY | 1 | | 118 | 5500-85220 | •• PACKING | 1 | |
| 52 | 1752-81110 | • SCREW | 2 | | 119 | 5601-85260 | •• FILTER | 1 | |
| 53 | 5500-81120 | • BRACKET | 1 | | 120 | 5601-85260 | •• STOPPER | 1 | |
| 54 | 1751-81180 | • NUT | 1 | | 121 | 5500-85300 | • PIPE-C | 1 | |
| 55 | 1918-81170 | • SCREW, adjust | 1 | | 122 | 5500-85400 | • FILTER ASS'Y | 1 | |
| 56 | 1881-81130 | • RING | 1 | | 123 | 1260-85460 | • CLIP | 1 | |
| 57 | 1850-81530 | • SCREW | 4 | | 124 | 5910-85510 | SCREW | 1 | |
| 58 | T1700-82100 | BODY-ASSY | 1 | | 125 | 5500-85510 | SCREW | 2 | |
| 59 | 5500-82111 | • BODY | 1 | | 126 | 1950-86120 | CLIP | 1 | |
| 60 | 1970-82190 | • SLEEVE | 2 | | 127 | T1807-75410 | LABEL, recoil | 1 | |
| 61 | T1700-82130 | • PLATE, choke | 1 | | 128 | T1825-82510 | PLATE | 1 | |
| 62 | T1700-82140 | • LEVER, choke | 1 | | 129 | T1825-82520 | GASKET | 1 | |
| 63 | 2630-33610 | • SCREW | 1 | | 130 | T1807-31130 | LABEL | 1 | |
| 64 | 5500-82171 | ELEMENT | 1 | | 131 | 4500-81910 | COVER | 1 | |
| 65 | T1701-82200 | COVER ASS'Y | 1 | | | | | | |
| 66 | 5500-82221 | • KNOB | 1 | | | | | | |
| 67 | 0263-90560 | SCREW | 2 | | | | | | |

www.ersatzteil-service.de

www.ersatzteilplan.de



ZENOAH
KOMATSU

KOMATSU ZENOAH CO.

1-9 Minamidai, Kawagoe, Saitama, 350-1192 Japan

PRINTED IN JAPAN

Ihr Ersatzteilspezialist im Internet

PRINTED ON RECYCLED PAPER
IMPRIMÉ SUR PAPIER RECYCLÉ
GEDRUCKT AUF RECYCLING PAPIER
STAMPATO SU CARTA RICICLATA
IMPRESO EN PAPEL RECICLADO