



PARTS LIST

CONVERTIBLE BRUSHCUTTER

EXZ2600DL

EXZ-PU

EX-BC

ENGINE

EX-LRT (ATT)

EX-PS (ATT)

EX-HE (ATT)

NOTE :

1. Use KOMATSU ZENOAH genuine parts specified in the parts list for repair and/or replacement.
2. KOMATSU ZENOAH does not warrant the machines, those which have been damaged by the use of any parts other than those specified by the company.
3. When placing orders of parts for repair and/or replacement, check if the model name and the serial number are suitable to those specified in the parts list, then use parts number described in the parts list.
4. The contents described in the parts list may change due to improvement.
5. The parts for the machine shall be supplied within ten (10) years after the machine is discontinued.
[It is possible that some specific parts may be subject to change of their delivery term and list price within the limit of ten (10) years after the machine is discontinued. And it is also possible that some parts may be available even after the limit of ten (10) years.]

Aug. 2003

APPLICABLE SERIAL NUMBERS :

DRIVE UNIT 300201 and up

ENGINE UNIT 304786 and up

Ihr Ersatzteilspezialist im Internet

Fig.1 EXZ-PU

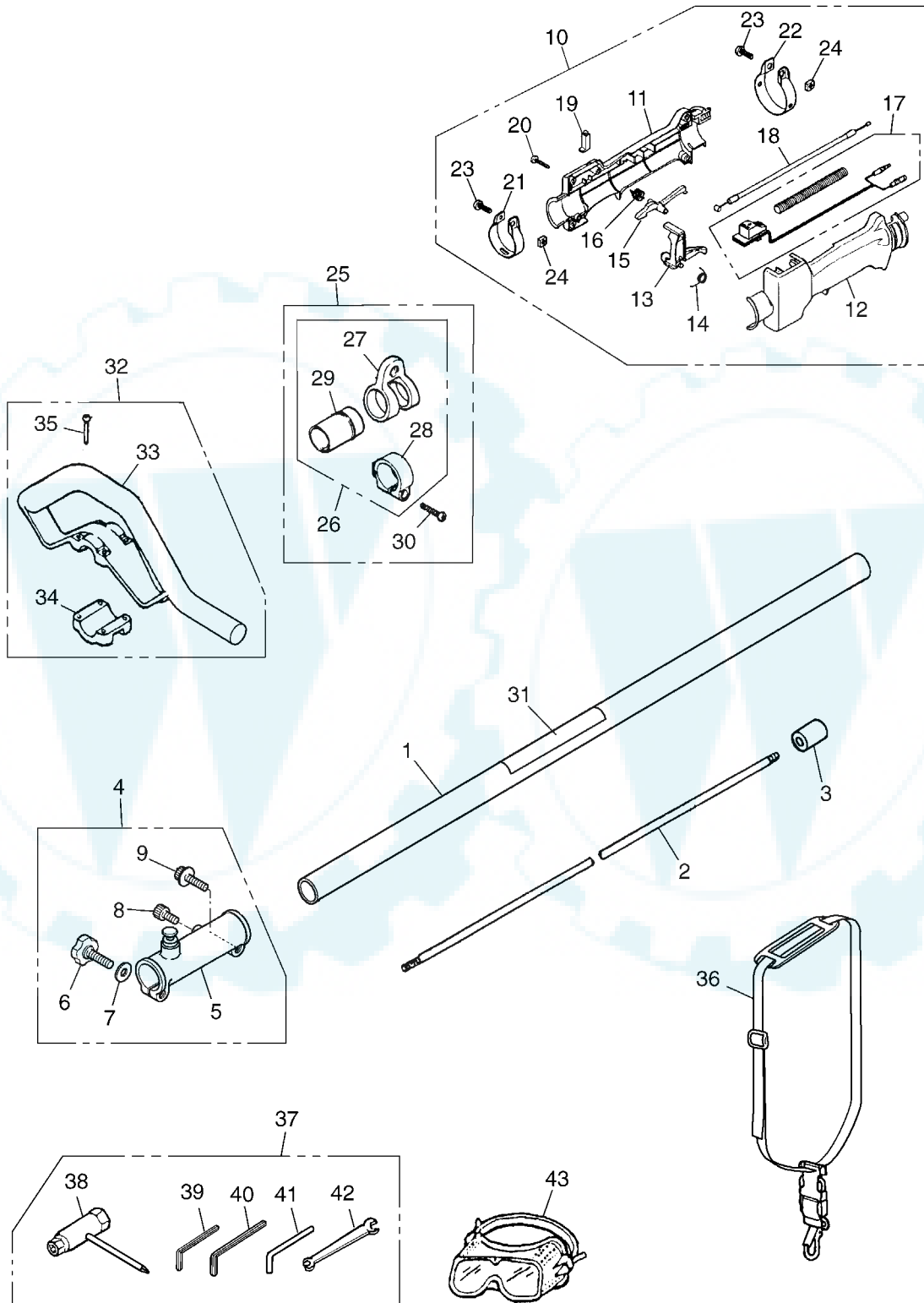


Fig.1 EXZ-PU

Key#	PART NUMBER	DESCRIPTION	Q'TY /UNIT	NOTE	Key#	PART NUMBER	DESCRIPTION	Q'TY /UNIT	NOTE
1	T3075-12100	PIPE-COMP	1	ø24x750					
2	T3075-12210	SHAFT	1	786x7					
3	6036-12250	SPACER	1						
4	T3087-12400	JOINT, PIPE-ASS'Y	1						
5	T3087-12410	• JOINT	1						
6	6036-12420	• KNOBBOLT	1						
7	01643-30823	• WASHER	1						
8	01252-30510	• BOLT	1						
9	3540-13260	• BOLT	1						
10	T3227-11330	GRIP ASSY	1						
11	6464-12210	• GRIP(R)	1						
12	6464-12220	• GRIP(L)	1						
13	6464-12230	• LEVER	1						
14	1638-84171	• SPRING	1						
15	6464-12240	• LEVER	1						
16	1638-84180	• SPRING	1						
17	T3227-12230	• SWITCH COMP	1						
18	T3227-11390	• CABLE COMP	1						
19	1638-84150	• STOPPER	1						
20	1638-84220	• SCREW	4						
21	6464-12250	• CLAMP	1						
22	1638-84160	• CLAMP	1						
23	00263-60620	• SCREW	2						
24	1638-84190	• NUT	2						
25	6420-17300	HANGER-ASSY	1						
26	6420-17400	• HANGER-COMP	1						
27	9366-17110	•• HANGER	1						
28	9366-17120	•• CLAMP	1						
29	6420-17410	•• SLEEVE	1						
30	0263-90525	• SCREW	1						
31	T3233-12511	PLATE-NAME	1						
32	6489-14000	HANDLE-ASSY	1						
33	6420-14311	• HANDLE	1						
34	6420-14320	• CLAMP	1						
35	0263-90535	• SCREW	4						
36	T3300-17100	STRAP-ASSY	1						
37	T3087-91000	TOOL-SET	1						
38	T3039-91310	• SOCKET	1						
39	09007-00425	• WRENCH	1						
40	09007-00528	• WRENCH	1						
41	3540-91110	• BAR	1						
42	3540-91120	• SPANNER	1						
43	T3002-91190	GOGGLE	1						

Fig.2 EX-BC

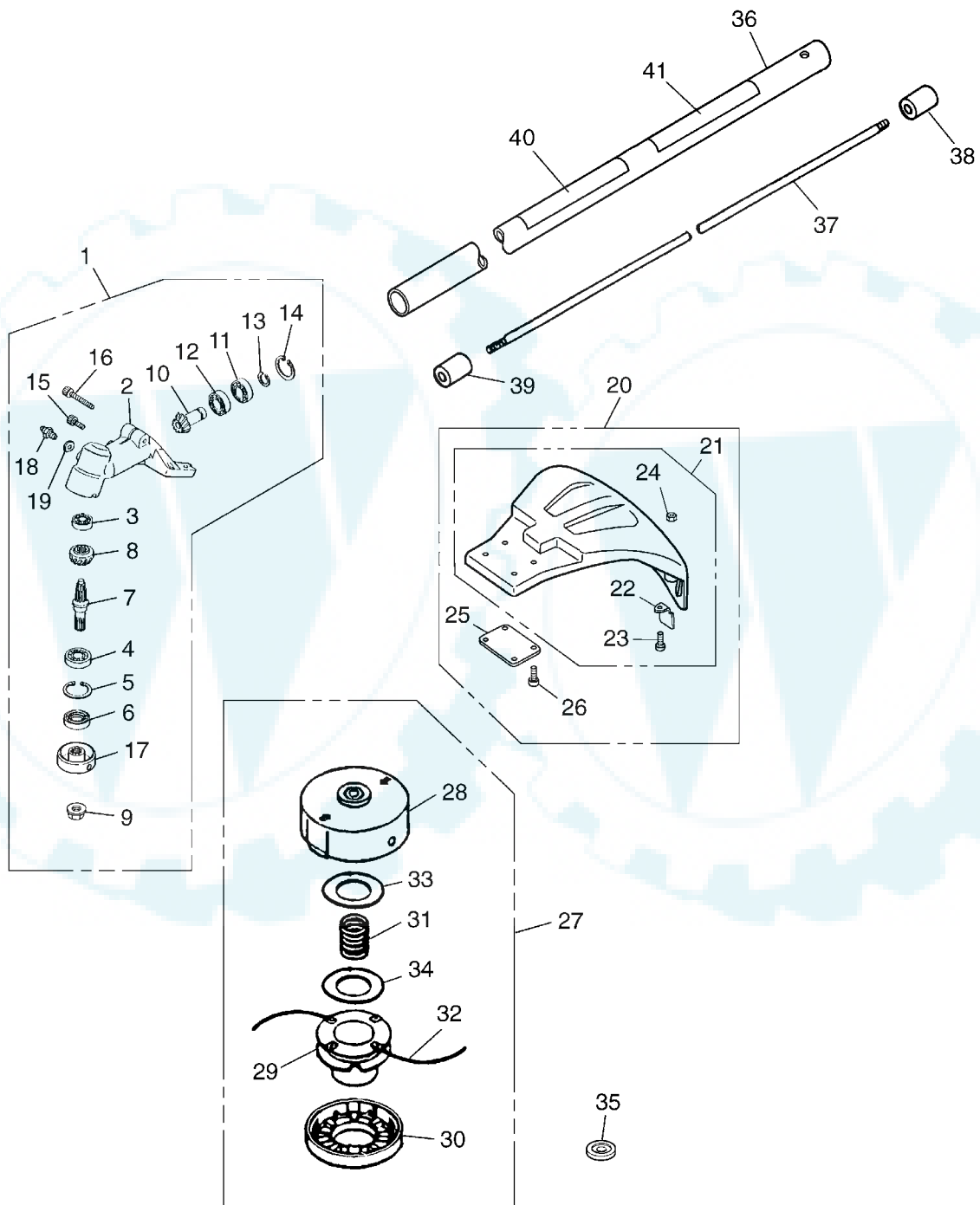


Fig.2 EX-BC

Key#	PART NUMBER	DESCRIPTION	Q'TY /UNIT	NOTE	Key#	PART NUMBER	DESCRIPTION	Q'TY /UNIT	NOTE
1	T3002-13001	GEARCASE-ASSY	1						
2	6489-13110	• GEARCASE	1						
3	T3300-13521	• BEARING	1						
4	T3403-13510	• BEARING	1						
5	04065-02612	• RING	1						
6	3565-13130	• SEAL	1						
7	T3002-13210	• SHAFT	1						
8	6440-13220	• GEAR	1						
9	T3002-13260	• NUT, M10	1						
10	T3002-13310	• PINION	1						
11	T3300-13531	• BEARING	1						
12	T3403-13530	• BEARING	1						
13	T3300-13330	• RING	1						
14	04065-02412	• RING	1						
15	01252-30510	• BOLT	1						
16	3350-21320	• BOLT	1						
17	6440-13242	• HOLDER (A)	1						
18	3199-13350	• FITTING, grease	1						
19	01641-20608	• WASHER	1						
20	T3002-24001	GUARD-ASSY	1						
21	T3002-24101	• GUARD COMP	1						
22	T3002-24121	•• BLADE	1						
23	0263-90516	•• SCREW	1						
24	3320-15310	•• NUT	1						
25	6489-24120	• PLATE	1						
26	01252-30514	• BOLT	4						
27	6460-15103	TAP. HEAD 4"	1						
28	6460-15113	• CASE	1						
29	6460-15142	• CORD HOLDER	1						
30	6460-15131	• COVER	1						
31	6041-99162	• SPRING	1						
32	6460-15180	• TRIMMER LINE	1						
33	3268-15150	• PLATE, large	1						
34	3268-15170	• PLATE, small	1						
35	6019-13250	HOLDER (B)	1						
36	T3102-12100	PIPE-COMP	1	ø24x750					
37	T3102-12210	SHAFT	1	755x7					
38	6036-12241	SHAFT-JOINT	1						
39	6036-12250	SPACER	1						
40	6425-12552	PLATE, caution	1						
41	T3234-12510	PLATE, name	1						

Fig.3 ENGINE UNIT

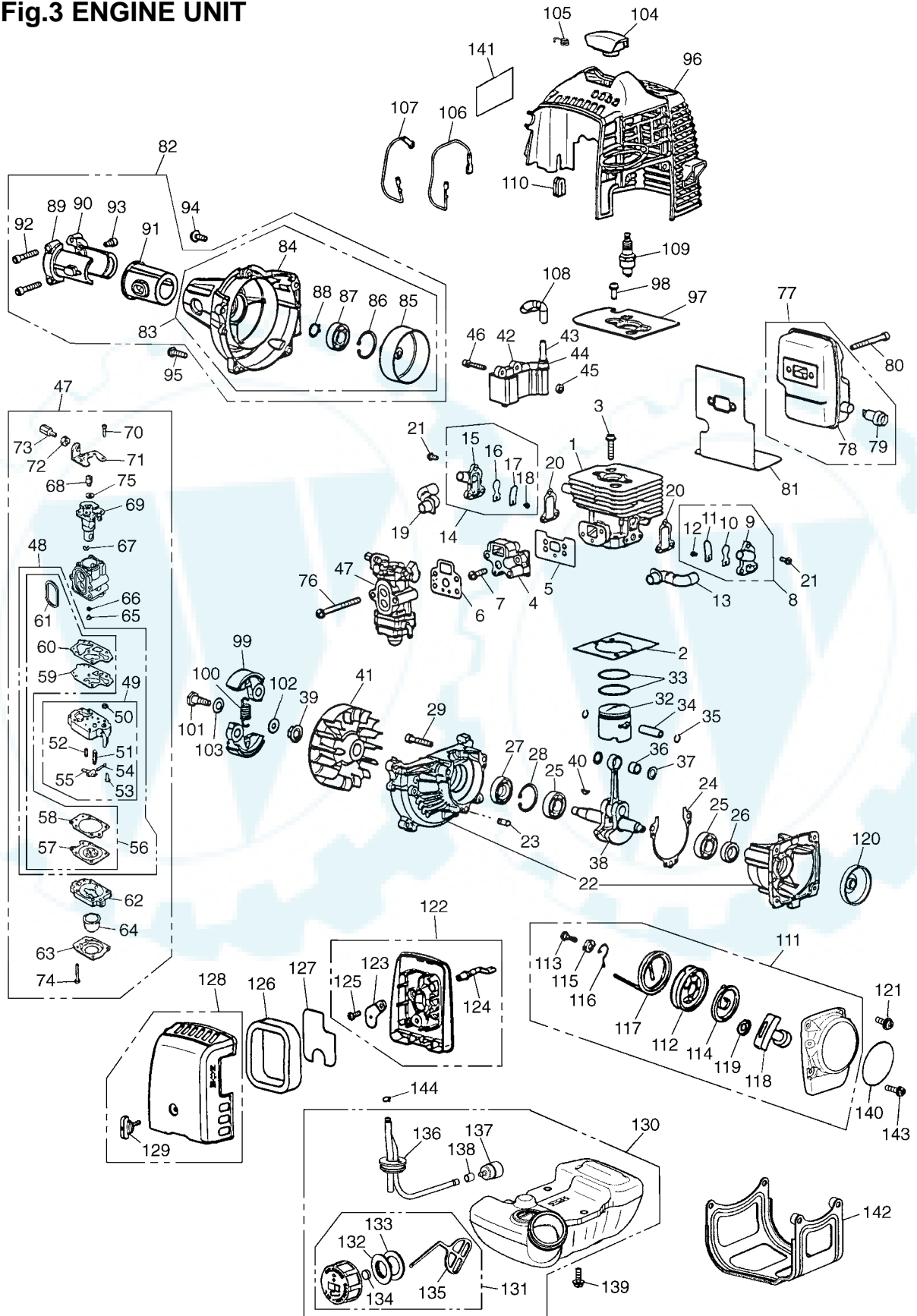


Fig.3 ENGINE UNIT

Key#	PART NUMBER	DESCRIPTION	Q'TY /UNIT	NOTE	Key#	PART NUMBER	DESCRIPTION	Q'TY /UNIT	NOTE
1	4810-12111	CYLINDER	1		74	1850-81530	• SCREW	4	
2	4810-12210	GASKET, base	1		75	5500-81160	• WASHER	1	
3	1850-12130	BOLT	2	M5x22	76	0263-90560	SCREW	2	M5x60
4	4810-13162	INSULATOR	1		77	4810-15100	MUFFLER ASS'Y	1	
5	4810-13120	GASKET, insulator	1		78	4810-15111	• MUFFLER	1	
6	4810-13130	GASKET, carburetor	1		79	4810-15140	• ARRESTER	1	
7	0263-90520	SCREW	1	M5x20	80	01252-30550	BOLT	2	M5x50
8	848F301601	REEDVALVE (S)-A	1		81	T1501-15211	GASKET	1	
9	848F3016A1	• VALVECASE (S)	1		82	4810-31002	COVER-A	1	
10	4810-16120	• REEDVALVE	1		83	4810-31102	• COVER-C	1	
11	4810-16130	• STOPPER	1		84	4810-31111	•• COVER, fan	1	
12	4810-16170	• SCREW	1	M3x8	85	848F3051A1	•• DRUM	1	
13	4810-16150	PIRE AIR (S)	1		86	04065-02812	•• SNAPRING	1	
14	848F301611	REEDVALVE (F)-A	1		87	T1701-31150	•• BEARING	1	
15	848F3016B1	• VALVECASE (F)	1		88	04064-01210	•• SNAP RING	1	
16	4810-16120	• REEDVALVE	1		89	6470-31211	• BRACKET (A)	1	
17	4810-16130	• STOPPER	1		90	6470-31221	• BRACKET (B)	1	
18	4810-16170	• SCREW	1	M3x8	91	6470-31230	• CUSHION	1	
19	4810-16160	PIPE AIR (F)	1		92	01252-30530	• BOLT	2	M5x30
20	4810-16140	GASKET, valve	2		93	01252-30514	• BOLT	1	M5x14
21	4810-16180	SCREW	6		94	5500-85510	SCREW	1	M5x16
22	4810-21101	CRANKCASE-C	1		95	0263-90520	SCREW	4	M5x20
23	2629-21130	• PIN	3		96	4810-32111	COVER, engine	1	
24	4810-21140	GASKET	1		97	T1501-12310	PLATE	1	
25	06030-06001	BEARING	2		98	0263-90510	SCREW	2	M5x10
26	4810-21210	SEAL	1		99	4820-51110	SHOE	2	
27	1850-21220	SEAL	1		100	4820-51220	SPRING	1	
28	04065-02812	SNAP RING	1		101	1140-51250	SCREW	2	
29	01252-30530	BOLT	3	M5x30	102	1140-51230	WASHER	2	
					103	1140-51242	WASHER	2	
					104	4810-72111	CAP	1	
32	4810-41110	PISTON	1		105	1900-72120	SPRING	1	
33	5910-41210	RING	2		106	4810-71240	CORD	1	
34	T1513-41310	PIN	1		107	4810-71250	CORD, carth	1	
35	1260-41320	RING	2		108	T1512-71320	TUBE	1	
36	5500-41410	BEARING	1		109	4810-73110	PLUG	1	NGK CMR7A
37	1101-41340	WASHER	2		110	4810-72120	GROMMET	1	
38	4810-42000	CRANKSHAFT-O	1		111	4810-75100	RECOIL ASS'Y	1	
39	1650-43230	NUT	1		112	4500-75120	• REEL	1	
40	1000-43240	KEY	1		113	4500-75150	• SCREW	1	
41	4810-71110	ROTOR	1		114	1850-75130	• SPRING, spiral	1	
42	T1512-71200	COIL-A	1		115	4500-75180	• COLLAR	1	
43	T1512-71220	• CORD	1		116	4500-75190	• ARM	1	
44	2616-71320	• CAP	1		117	4810-75160	• ROPE	1	
45	1260-71261	SPACER	2		118	3330-75421	• KNOB	1	
46	4500-72150	BOLT	2		119	4810-75170	• PLATE, stopper	1	
47	4810-81002	CARBURETOR ASS'Y	1	WYA-1B	120	4500-75210	PULLEY	1	
48	T1551-06030	• REBUILD KIT	1		121	5500-85510	SCREW	2	
49	T1551-81450	•• BODY ASS'Y	1		122	4810-82100	BODY ASS'Y	1	
50	_____	••• SCREEN	-		123	4810-82130	• PLATE, choke	1	
51	_____	••• VALVE	-		124	5500-82140	• LEVER, choke	1	
52	_____	••• SPRING	-		125	2630-33610	• SCREW	1	
53	_____	••• SCREW	-		126	4810-82170	ELEMENT	1	
54	_____	••• PIN	-		127	4810-82180	SCREEN	1	
55	_____	••• LEVER	-		128	4810-82200	COVER ASS'Y	1	
56	4810-06021	•• GASKET KIT	1		129	5500-82221	• KNOB	1	
57	_____	••• DIAPHRAGM	-		130	T1504-85002	TANK ASS'Y	1	
58	_____	••• GASKET, diaphragm	-		131	T1015-85202	• CAP ASS'Y	1	
59	_____	••• DIAPHRAGM, pump	-		132	4500-85300	•• HOLDER-A	1	
60	_____	••• GASKET, pump	-		133	4500-85220	•• PACKING	1	
61	4810-81130	••• RING	1		134	5601-85260	•• FILTER	1	
62	1850-81490	• BODY, purge	1		135	4820-85260	•• STOPPER	1	
63	1850-81520	• COVER, pump	1		136	4810-85300	• PIPE COMP.	1	
64	1751-81510	• PUMP, priming	1		137	3302-85400	• FLTER ASS'Y	1	
65	4810-81251	• JET	1	#38.5	138	2841-31280	• COLLER	1	
66	1751-81240	• O-RING	1		139	5500-85510	SCREW	3	M5x16
67	1751-81130	• RING	1		140	T1504-75410	LABEL, recoil	-	
68	1881-81140	• SWIVEL	1		141	T1504-31130	LABEL, cover	1	
69	_____	• VALVE ASS'Y	-		142	T1506-31910	GUARD	1	
70	1752-81110	• SCREW	2		143	0263-90525	SCREW	2	
71	5500-81120	• BRACKET	1		144	1950-86120	CLIP	1	
72	1751-81180	• NUT, adjuster	1						
73	1918-81170	• SCREW, adjuster	1						

Fig.4 EX-LRT

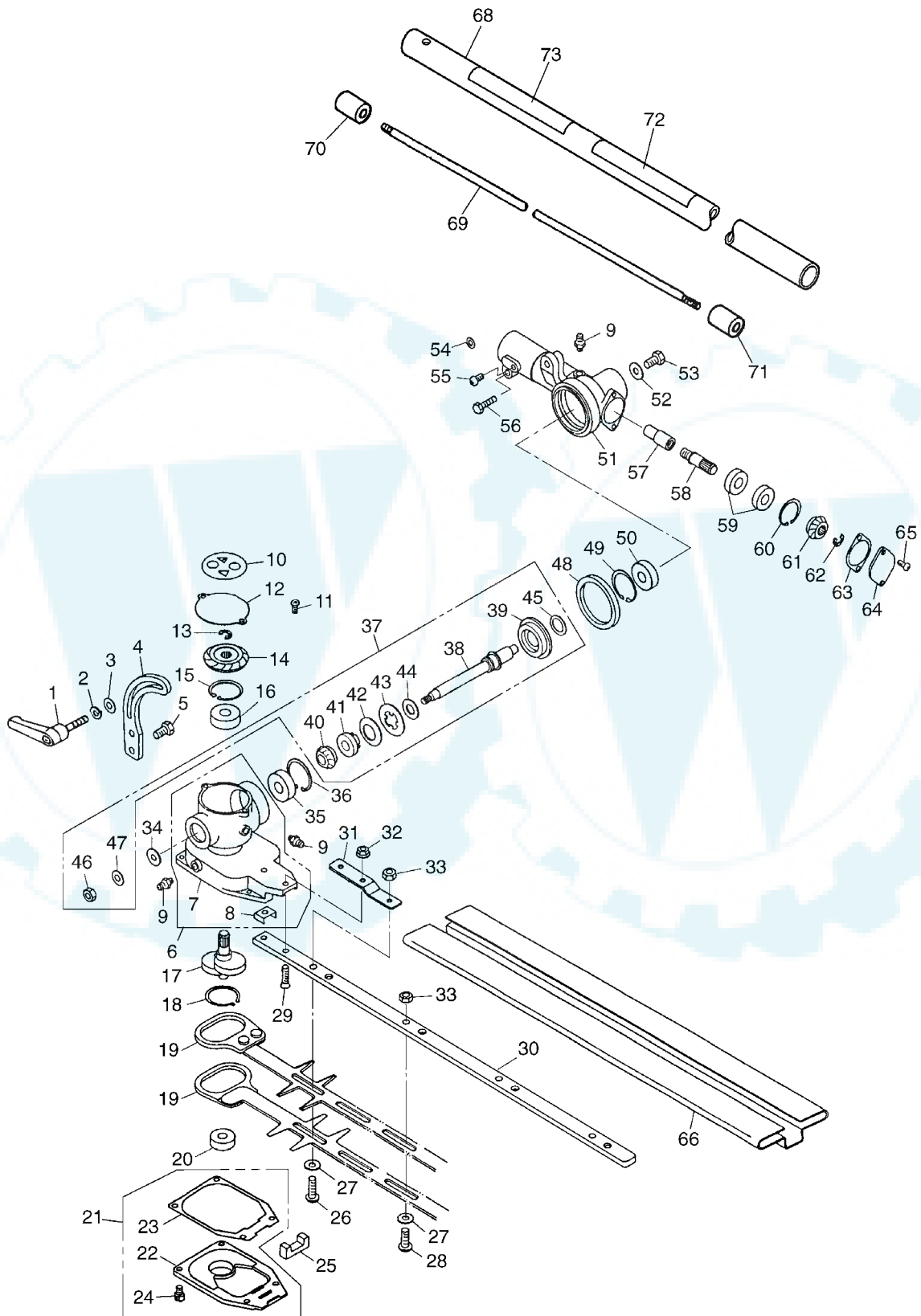


Fig.4 EX-LRT

Key#	PART NUMBER	DESCRIPTION	Q'TY /UNIT	NOTE	Key#	PART NUMBER	DESCRIPTION	Q'TY /UNIT	NOTE
1	6598-13110	LEVER, clamp	1		46	0280-10605	•NUT	1	M6
2	0290-20615	WASHER	1	M6	47	0290-20615	•WASHER	1	
3	6782-13650	WASHER	1	6x15x2.0	48	6598-13620	O-RING	1	P41
4	6782-13141	ANGLE ADJUSTER	1		49	04065-02612	SNAP RING	1	
5	0225-10612	BOLT	2	M6x12	50	06004-06000	BEARING	1	
6	6782-13200	CASING A SET	1		51	6780-13710	CASING B	1	
7	_____	•CASING A	1		52	6782-13650	WASHER	1	6x15x2.0
8	6782-13220	•PLATE	1		53	0225-10612	BOLT	1	M6x12
9	3199-13350	GREESE FITTING	3		54	6782-13720	WASHER	1	5x10x1.0
10	6782-13250	LABEL	1		55	01252-30510	BOLT	1	M5x10
11	0263-10408	SCREW	2	M4x8	56	3350-21320	BOLT	1	M5x30
12	6598-13320	COVER	1		57	6782-13810	JOINT	1	
13	6598-13330	SNAP RING	1		58	6598-13820	GEAR SHAFT B	1	
14	6782-13340	BEBEL GEAR	1		59	6782-13830	BEARING	2	6900RS
15	04065-02612	SNAP RING	1		60	04065-02212	SNAP RING	1	
16	06004-06000	BEARING	1		61	6782-13850	BEVEL GEAR	1	
17	6782-13370	CRANK SHAFT	1		62	6598-13330	SNAP RING	1	
18	04064-02815	SNAP RING	1		63	6598-13860	PACKING	1	
19	6782-13411	BLADE	2		64	6598-13871	COVER	1	
20	6782-13430	BEARING	1	608Z	65	0263-10410	SCREW	2	M4x8
21	6782-06010	COVER ASS'Y	1		66	6782-13910	BLADE COVER	1	
22	6782-13441	•COVER	1						
23	6782-13470	•GASKET	1		68	T3102-12100	PIPE-COMP	1	ø24x750
24	6783-13450	•BOLT	4	M4x12	69	T3102-12210	SHAFT	1	755x7
25	6782-13460	FELT	1		70	6036-12241	SHAFT-JOINT	1	
26	3884-11750	SCREW	1		71	6036-12250	SPACER	1	
27	3880-11780	WASHER	4		72	6425-12552	PLATE, caution	1	
28	6598-13510	SCREW	3	L17	73	T3235-12510	PLATE, name	1	
29	6598-13530	SCREW	2	M5x20					
30	6782-13540	GUIDE PLATE	1						
31	6782-13550	PLATE	1						
32	6782-14470	NUT	2	M5					
33	3880-11790	NUT	4	M6					
34	6782-13650	WASHER	1	6x15x2.0					
35	6598-13430	BEARING	1	608 2RS					
36	04065-02212	SNAP RING	1						
37	T4008-06010	SHAFT KIT	1						
38	_____	•• SHAFT	1						
39	_____	•• GEAR(B)	1						
40	T4008-13630	•• GEAR(C)	1						
41	_____	•• BOSS	1						
42	T4008-13650	•• SPRING	1						
43	T4008-13660	•• PLATE	1						
44	T4008-13670	•• WASHER	1						
45	T4008-13680	•• WASHER	1						

Fig.5 EX-PS

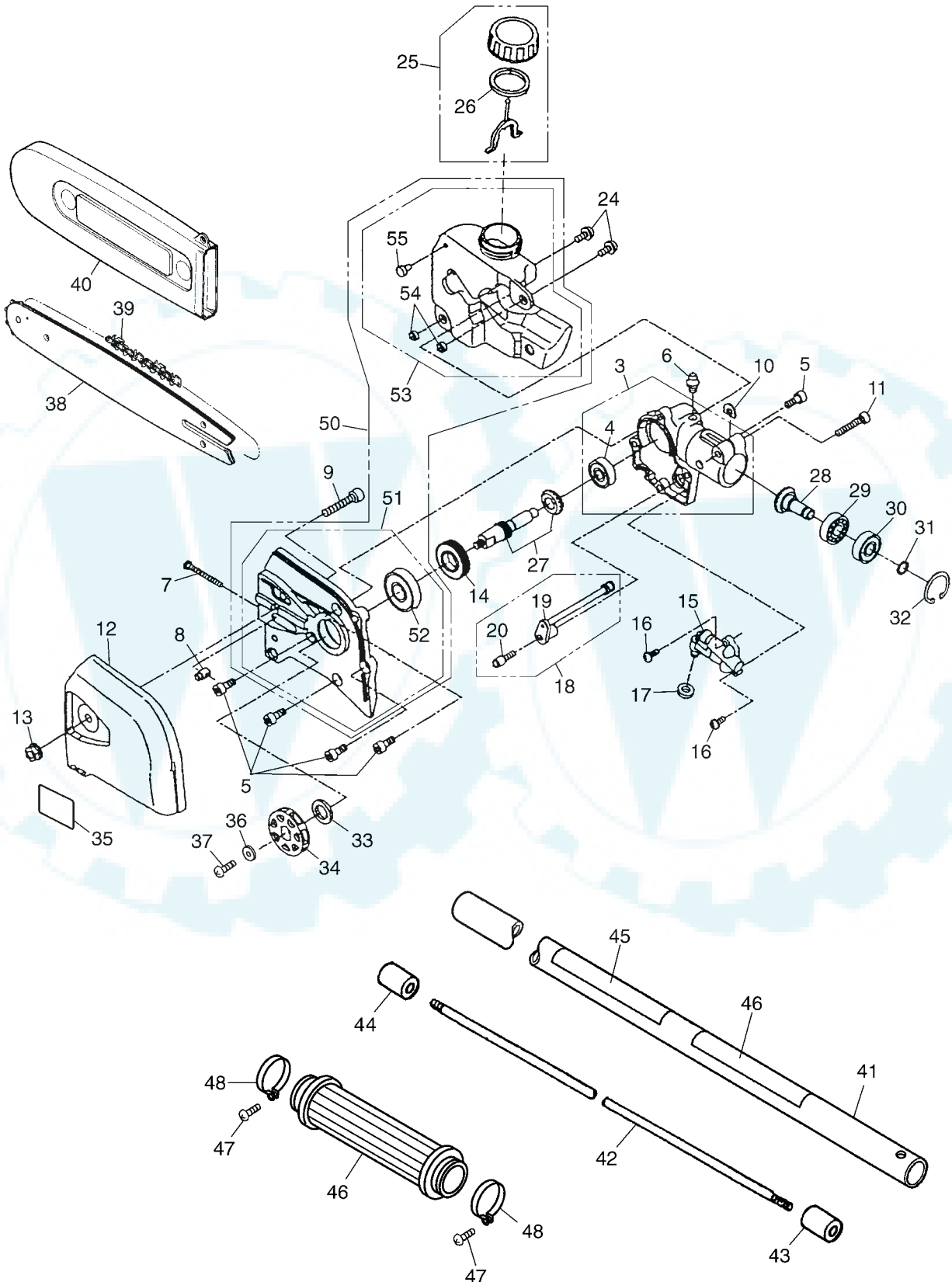


Fig.5 EX-PS

Key#	PART NUMBER	DESCRIPTION	Q'TY /UNIT	NOTE	Key#	PART NUMBER	DESCRIPTION	Q'TY /UNIT	NOTE
3	T3073-13200	GEAR CASE (R)COMP	1		49	0260-60312	SCREW	2	
4	06002-00627	• BEARING	1		50	848A529810	CASE-L-SET	1	
5	01252-30512	BOLT	5		51	848A526211	• GEAR CASE (L)COMP	1	
6	3199-13350	FITTING	1		52	06004-06001	•• BEARING	1	
7	T3073-13310	SCREW, tensioner	1		53	848A525511	• OIL TANK ASS'Y	1	
8	T3073-13320	NUT, tensioner	1		54	T3073-13820	•• COLLAR	2	
9	01252-30630	BOLT	1		55	T3073-13830	•• VALVE	1	
10	T3073-13250	SHIM	1						
11	3245-11350	BOLT	1						
12	T3073-13510	CHAIN COVER	1						
13	T3073-13520	NUT	1						
14	T3073-13560	WORM GEAR	1						
15	T3073-13550	OIL PUMP ASS'Y	1						
16	0263-30410	SCREW	2						
17	T3073-13580	GASKET	1						
18	T3073-13700	OIL PIPE ASS'Y	1						
19	T3073-13710	• OIL PIPE	1						
20	T3073-13720	• FILTER	1						
24	T3073-13860	SCREW	2						
25	T3073-13900	OIL CAP ASS'Y	1						
26	T3073-13920	• GASKET OIL CAP	1						
27	T3073-13370	GEAR SHAFT	1						
28	T3073-13380	BEVEL, pinion	1						
29	06000-00609	BEARING	1						
30	06002-00609	BEARING	1						
31	3210-13330	SNAP RING	1						
32	04065-02412	SNAP RING	1						
33	T3073-13530	COLLAR	1						
34	T3073-13540	SPROCKET	1						
35	T3073-13590	LABEL	1						
36	T3073-13350	WASHER	1						
37	T3073-13360	SCREW	1						
38	T3101-52120	BAR 10"	1						
39	T3073-52220	CHAIN (90SG-J39E)	1						
40	3622-52310	PROTECTOR	1						
41	T3102-12100	PIPE-COMP	1	ø24x750					
42	T3102-12210	SHAFT	1	755x7					
43	6036-12241	SHAFT-JOINT	1						
44	6036-12250	SPACER	1						
45	6425-12552	PLATE, caution	1						
46	T3236-12510	PLATE, name	1						
47	6442-11332	GRIP	1						
48	6193-11340	CLAMP	2						

Fig.6 EX-HE

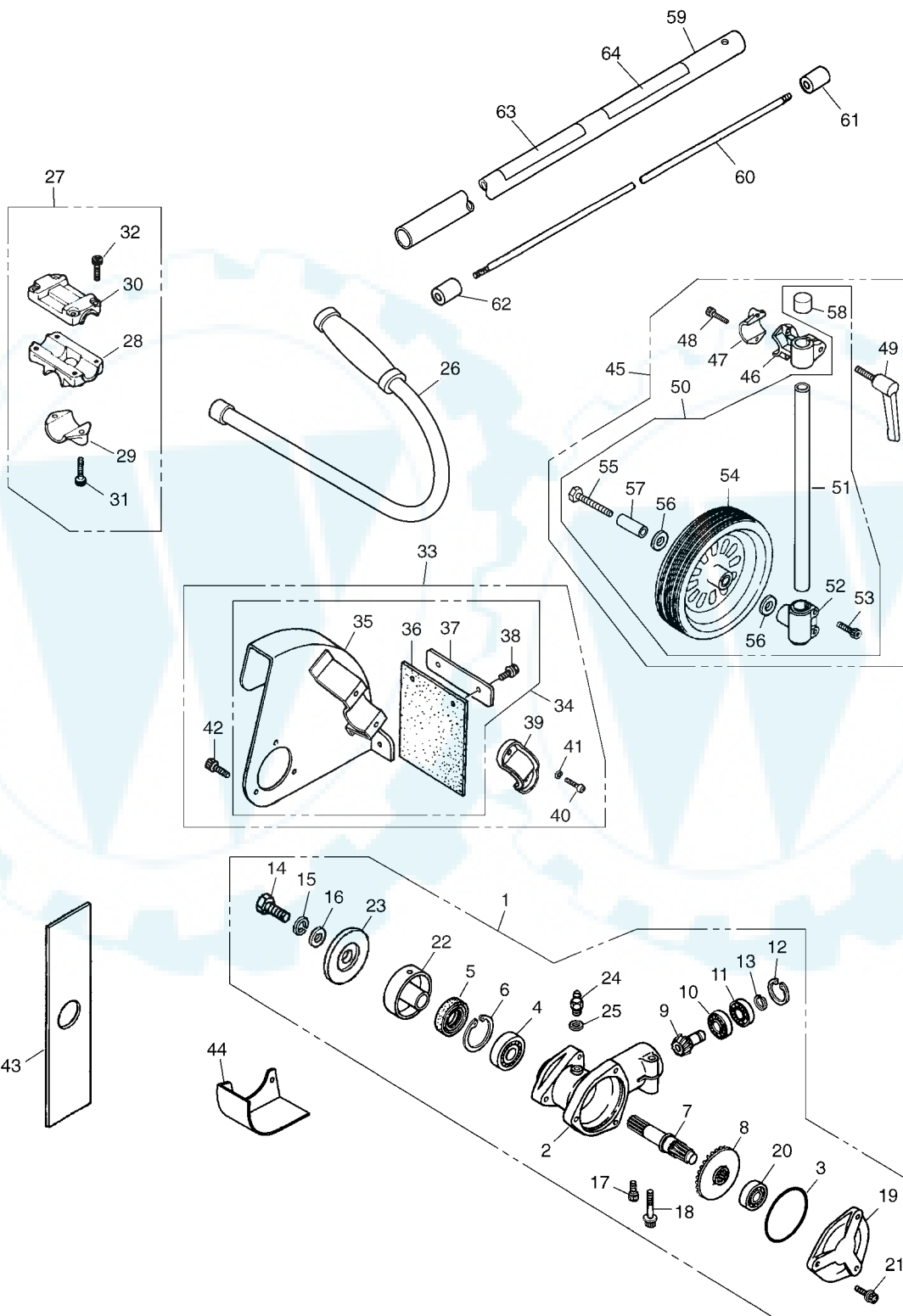
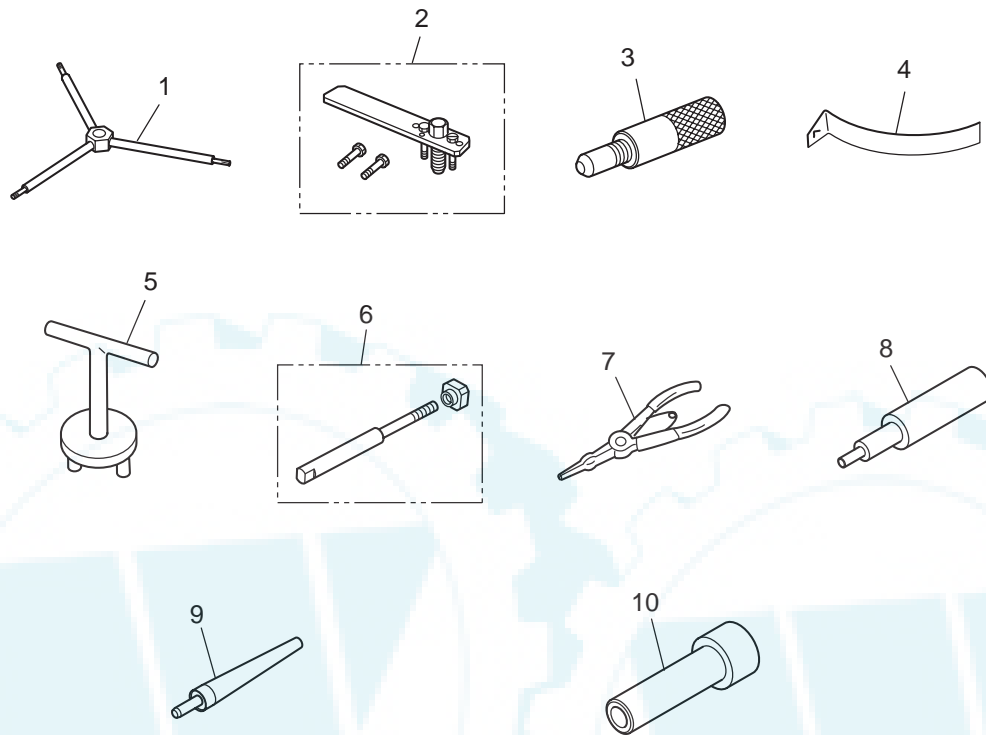


Fig.6 EX-HE

Key#	PART NUMBER	DESCRIPTION	Q'TY /UNIT	NOTE	Key#	PART NUMBER	DESCRIPTION	Q'TY /UNIT	NOTE
1	6367-13000	GEARCASE-ASS'Y	1		46	6367-15230	• BRACKET	1	
2	6367-13110	• GEARCASE	1		47	3583-14121	• CAP-L	1	
3	6367-13150	• O-RING	1		48	01252-30522	• BOLT	2	
4	06000-06201	• BEARING	1		49	3956-15340	• LEVER	1	
5	3180-13141	• SEAL	1		50	T3052-25101	• WHEEL-S-ASS'Y	1	
6	04065-03212	• RING	1		51	6367-15210	•• PIPE	1	
7	3541-13212	• SHAFT	1		52	3808-15230	•• BRACKET	1	
8	6367-13130	• GEAR	1		53	01252-30625	•• BOLT	2	
9	6367-13140	• PINION	1		54	T3052-25150	•• WHEEL	1	
10	06000-00609	• BEARING	1		55	01010-81055	•• BOLT	1	
11	06001-00609	• BEARING	1		56	01642-21016	•• WASHER	2	
12	04065-02412	• RING	1		57	T3052-25160	•• PIPE	1	
13	3210-13330	• RING	1		58	T3052-15250	•• CAP	1	
14	3579-33260	• BOLT	1		59	T3105-12100	PIPE-COMP, ø24x750	1	
15	3310-43210	• WASHER	1		60	T3102-12210	SHAFT, 755x7	1	
16	01643-30823	• WASHER	1		61	6036-12241	SHAFT-JOINT	1	
17	01252-30512	• BOLT	1		62	6036-12250	SPACER	1	
18	3540-13260	• BOLT	1		63	6425-12552	PLATE, caution	1	
19	6367-13120	• COVER	1		64	T3237-12510	PLATE, name	1	
20	06000-06000	• BEARING	1						
21	3350-31470	• BOLT	3						
22	3541-13241	• HOLDER (A)	1						
23	3541-13251	• HOLDER (B)	1						
24	3199-13350	• FITTING	1						
25	01641-20608	• WASHER	1						
26	6367-14200	HANDLE-COMP	1						
27	3583-14101	BRACKET-ASS'Y	1						
28	3583-14111	• BRACKET	1						
29	3583-14121	• CAP-L	1						
30	3257-14192	• CAP-U	1						
31	01252-30522	• BOLT	2						
32	01252-30525	• BOLT	4						
33	6367-24001	GUARD-ASS'Y	1						
34	6367-24101	• GUARD-COMP	1						
35	6367-24111	•• GUARD	1						
36	6367-24120	•• PLATE	1						
37	6367-24131	•• PLATE	1						
38	0225-30512	•• BOLT	2						
39	5807-24120	• CLAMP	1						
40	01252-30618	• BOLT	2						
41	0290-20615	• WASHER	2						
42	3350-31470	• BOLT	3						
43	6367-15110	BLADE	1						
44	T3052-13610	COVER	1						
45	T3052-25001	WHEEL-ASS'Y	1						

Fig.7 SPECIAL TOOLS



Key#	PART NUMBER	DESCRIPTION	Q'TY /UNIT	NOTE
1	3304-97611	HEXAGON WRENCH	1	suitable for M4, M5, M6 BOLT
2	2890-96100	PULLER ASS'Y	1	for remove ROTOR
3	4810-96220	STOPPER	1	for look the moving of PISTON
4	3350-96240	GAUGE	1	for adjust AIR-GAP
5	4500-96100	PULLER	1	for attach and remove RECOIL PULLEY
6	1101-96220	ROD ASS'Y	1	for attach and remove PISTON PIN
7	5500-96110	PLIERS	1	long-nose plier ; use for SNAP RING
8	5500-96120	ROD	1	for push out CLUTCH DRUM
9	5500-96130	GUIDE, ring	1	for fit SNAP RING on CLUTCH DRUM
10	5500-96140	GUIDE, push	1	for fit SNAP RING on CLUTCH DRUM

www.ersatzteil-service.de

www.ersatzteilplan.de



ZENOAH
KOMATSU

KOMATSU ZENOAH CO.

1-9 Minamidai, Kawagoe, Saitama, 350-1192 Japan

PRINTED IN JAPAN

Ihr Ersatzteilspezialist im Internet

PRINTED ON RECYCLED PAPER
IMPRIMÉ SUR PAPIER RECYCLÉ
GEDRUCKT AUF RECYCLING PAPIER
STAMPATO SU CARTA RICICLATA
IMPRESO EN PAPEL RECICLADO