

PARTS LIST

HANDY BLOWER

HB2301
HBZ2600

NOTE :

1. Use KOMATSU ZENOAH genuine parts specified in the parts list for repair and/or replacement.
2. KOMATSU ZENOAH does not warrant the machines, those which have been damaged by the use of any parts other than those specified by the company.
3. When placing orders of parts for repair and/or replacement, check if the model name and the serial number are suitable to those specified in the parts list, then use parts number described in the parts list.
4. The contents described in the parts list may change due to improvement.
5. The parts for the machine shall be supplied within ten (10) years after the machine is discontinued.
[It is possible that some specific parts may be subject to change of their delivery term and list price within the limit of ten (10) years after the machine is discontinued. And it is also possible that some parts may be available even after the limit of ten (10) years.]

HB2301

Fig.1 ENGINE GROUP

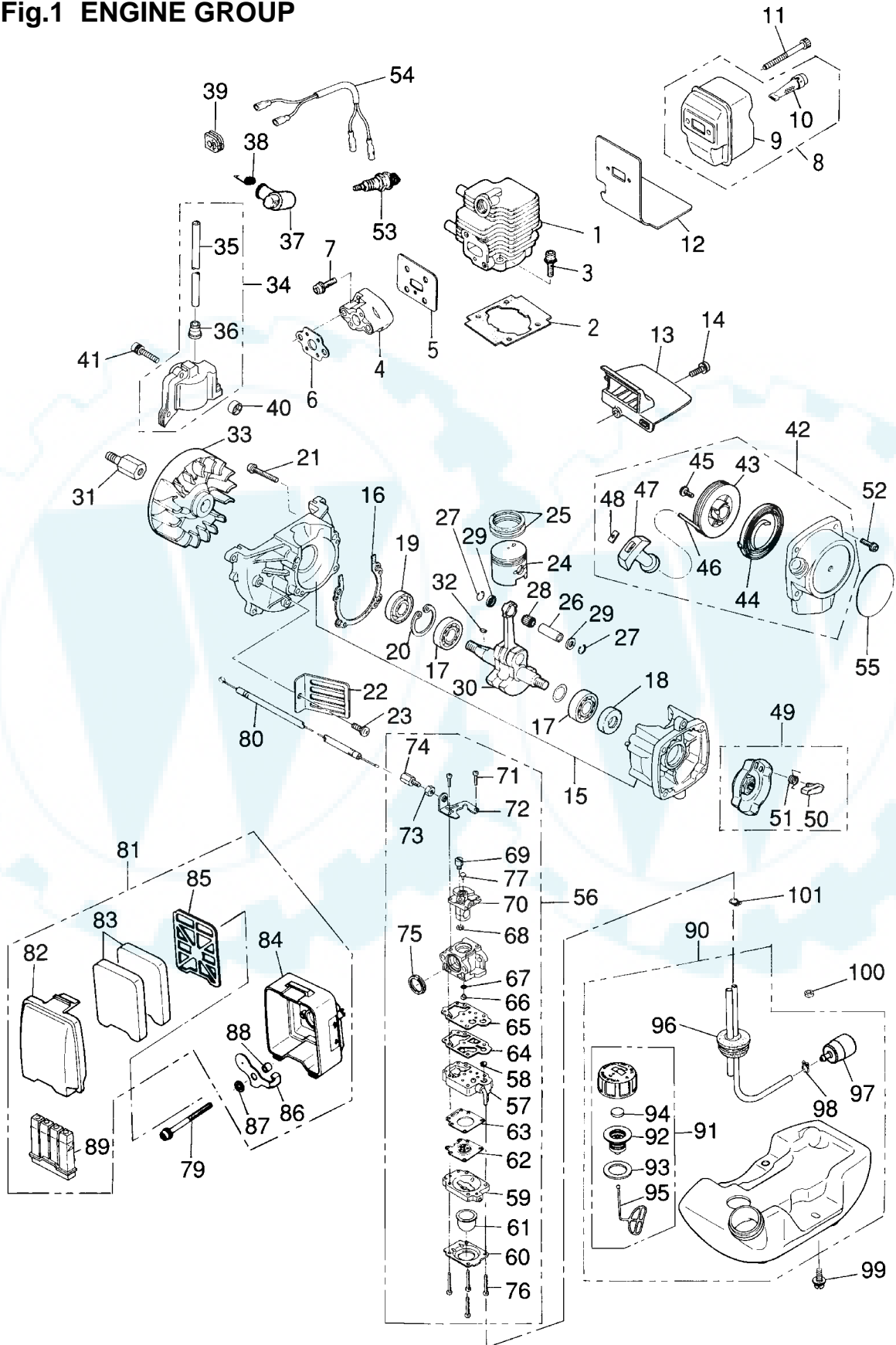


Fig.1 ENGINE GROUP

Key#	PART NUMBER	DESCRIPTION	Q'TY /UNIT	NOTE	Key#	PART NUMBER	DESCRIPTION	Q'TY /UNIT	NOTE
1	5580-12110	CYLINDER	1		53	5602-73110	SPARK PLUG	1	RCJ8Y
2	5500-12213	GASKET, BASE	1		54	5500-73201	CORD COMP	1	
3	1850-12130	BOLT, M5x22	2		55	T4038-75610	LABEL	1	
4	5500-13163	INSULATOR	1		56	5516-81000	CARBURETOR ASSY	1	WYJ-110
5	5500-13121	GASKET, insulator	1		57	1850-81450	•BODY ASSY-PUMP	1	
6	5500-13131	GASKET, carb	1		58	3306-81380	•• SCREEN-INLET	1	
7	0263-90520	SCREW, M5x20	2		59	1850-81490	•BODY ASSY, air purge	1	
8	5516-15101	•MUFFLER ASSY	1		60	1850-81520	•COVER	1	
9	5516-15111	•MUFFLER	1		61	1751-81510	•PUMP	1	
10	1601-15120	ARRESTER	1		62	3310-81260	•DIAPHRAGM ASSY, met'g	1	
11	5516-15160	BOLT,M5x75	2		63	1850-81470	•GASKET	1	
12	5516-15210	GASKET, muffler	1		64	1065-81420	•DIAPHRAGM ASSY, met'g	1	
13	5500-15221	PLATE	1		65	1065-81410	•GASKET	1	
14	0263-90416	SCREW, M4x16	1		66	5516-81250	•JET	1	
15	5500-21100	CRANKCASE COMP	1		67	1751-81240	•O-RING	1	
16	5500-21141	GASKET	1		68	1751-81130	•RING	1	
17	06030-06001	BEARING	2		69	1881-81140	•SWIVEL	1	
18	2169-21210	SEAL	1		70	5516-81150	•VALVE ASSY	1	
19	1850-21220	SEAL	1		71	1752-81110	•SCREW	2	
20	04065-02812	SNAP RING	1		72	5500-81120	•BRACKET	1	
21	01252-30530	BOLT, M5x30	4		73	1751-81180	•NUT	1	
22	5500-22110	GUARD	1		74	1918-81170	•SCREW	1	
23	0263-90514	SCREW, M5x14	1		75	1881-81130	•RING	1	
24	5600-41111	PISTON	1		76	1850-81530	•SCREW	4	
25	1100-41210	RING	2		77	5500-81160	•WASHER	1	
26	1101-41310	PIN	1						
27	1260-41320	RING	2		79	0263-90560	SCREW	2	
28	5500-41410	BEARING	1		80	5516-83101	CABLE	1	
29	1101-41340	WASHER	2		81	5516-82001	CLEANER ASSY	1	
30	5500-42001	CRANKEHAFT COMP	1		82	1918-82110	•COVER	1	
31	5516-43230	EXTENTION	1		83	1918-82120	•FILTER	2	
32	1000-43240	KEY	1		84	1918-82130	•HOUSING	1	
33	5501-71110	ROTOR	1		85	1918-82140	•PLATE	1	
34	5501-71201	COIL ASSY	1		86	5516-82150	•CHOKE VALVE	1	
35	5500-71220	•CORD	1		87	1918-82160	•WASHER	1	
36	2616-71320	•CAP	1		88	1918-82170	•SLEEVE	2	
37	5500-72110	CAP, plug	1		89	5516-82120	•SILENCER	1	
38	1900-72120	SPRING	1		90	5516-85004	TANK ASSY	1	
39	5500-72130	GROMMET	1		91	5607-85201	•CAP ASSY	1	
40	1260-71261	SPACER	2		92	5601-85300	•• HOLDER ASSY	1	
41	3310-72150	BOLT, M4x25	2		93	5500-85220	•• PACKING	1	
42	5500-75100	RECOIL ASSY	1		94	5601-85260	•• FILTER	1	
43	1850-75120	•REEL	1		95	4820-85260	•• STOPPER	1	
44	1850-75130	•SPRING	1		96	5911-85300	•PIPE COMP	1	
45	1850-75151	•SCREW	1		97	5500-85400	•FILTER	1	
46	1850-75160	•ROPE	1		98	1260-85460	•CLIP	1	
47	1140-75320	•KNOB	1		99	5516-85510	SCREW, M5x20	3	
48	5500-75170	•PLATE	1		100	5516-85531	COLLAR	1	
49	1850-75201	PULLEY ASSY	1		101	1950-86120	CLIP	1	
50	1850-75221	•RATCHET	1						
51	1850-75230	•SPRING	1						
52	0263-90416	SCREW, M4x16	4						

HBZ2600

Fig.2 ENGINE GROUP

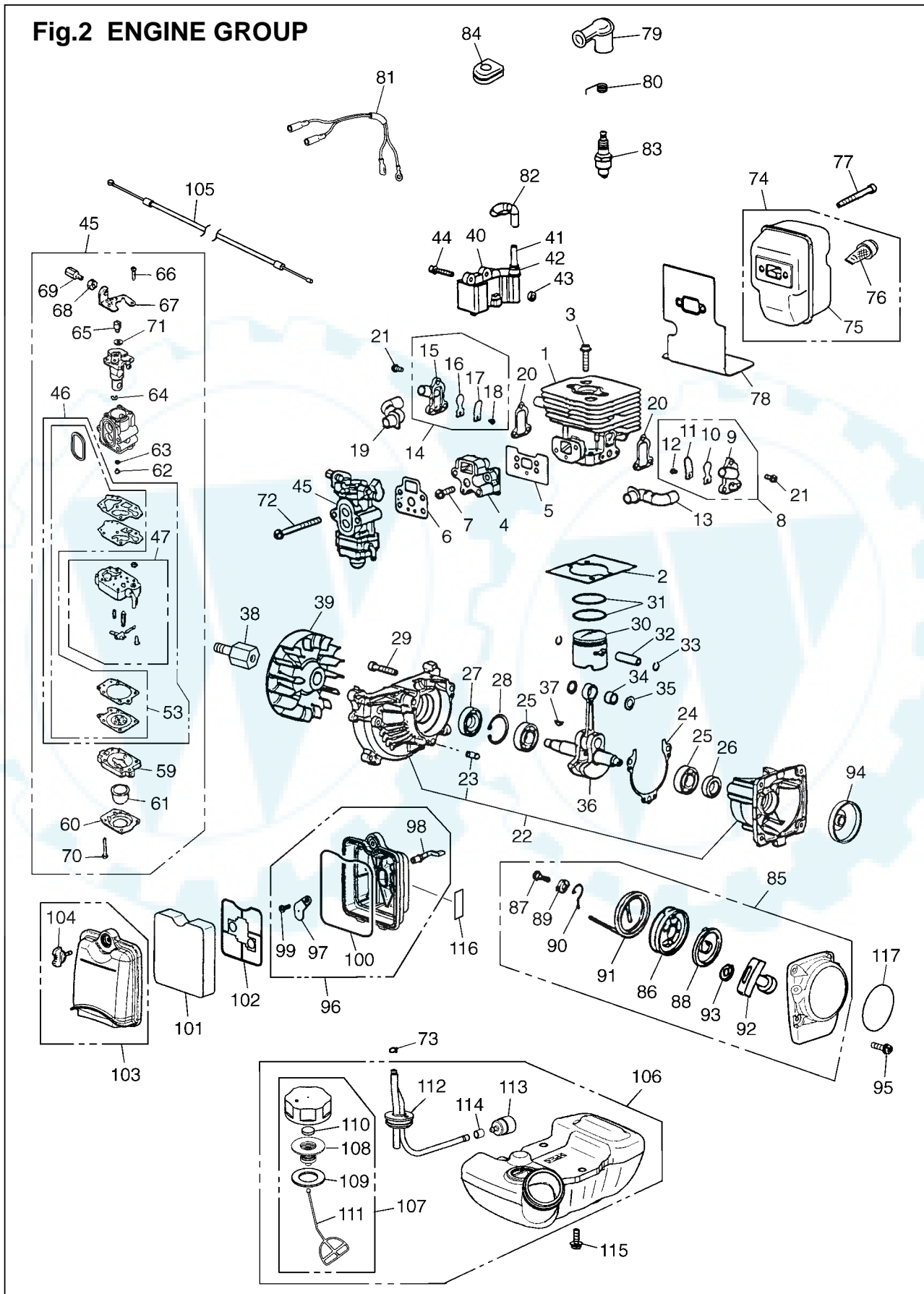


Fig.2 ENGINE GROUP

Key#	PART NUMBER	DESCRIPTION	Q'TY /UNIT	NOTE	Key#	PART NUMBER	DESCRIPTION	Q'TY /UNIT	NOTE
1	4810-12111	CYLINDER	1		61	1751-81510	• PUMP, priming	1	
2	4810-12210	GASKET	1		62	T1513-81250	• JET, #39.0	1	
3	4820-12130	BOLT TORX, M5x22	2		63	1751-81240	• O-RING	1	
4	4810-13162	INSULATOR	1		64	1751-81130	• RING	1	
5	T1512-13120	GASKET, insu	1		65	1881-81140	• SWIVEL	1	
6	4810-13130	GASKET, carb	1		66	1752-81110	• SCREW	2	
7	4820-13180	BOLT TORX, M5x20	2		67	5500-81120	• BRACKET	1	
8	4810-16100	REEDVALVE ASSY(S)	1		68	1751-81180	• NUT, adjuster	1	
9	4810-16110	• VALVECASE(S)	1		69	1918-81170	• SCREW, adjuster	1	
10	4810-16120	• REEDVALVE	1		70	1850-81530	• SCREW	4	
11	4810-16130	• STOPPER	1		71	5500-81160	• WASHER	1	
12	4810-16170	• SCREW, M3x8	1		72	4820-82310	BOLT TORX, M5x60	2	
13	4810-16150	PIPE, AIR S	1		73	1950-86120	CLIP	1	
14	4810-16200	REEDVALVE ASSY(F)	1		74	T1513-15100	MUFFLER ASSY	1	
15	4810-16210	• VALVECASE(F)	1		75	T1513-15110	• MUFFLER	1	
16	4810-16120	• REEDVALVE	1		76	4810-15140	• ARRESTER	1	
17	4810-16130	• STOPPER	1		77	T4950-57030	BOLT TORX, M5x70	2	
18	4810-16170	• SCREW, M3x8	1		78	T1513-15210	GASKET, muff	1	
19	4810-16160	PIPE, air f	1		79	T2070-72210	CAP	1	
20	4810-16140	GASKET, valve	2		80	1900-72120	SPRING	1	
21	4820-16310	BOLT TORX, M4x10	6		81	T1513-71240	CORD	1	
22	4810-21101	CRANKCASE-C	1		82	T1513-71320	TUBE	1	
23	2629-21130	• PIN	3		83	4810-73110	SPARK PLUG	1	NGK CMR7A
24	4810-21140	GASKET, case	1		84	5500-72130	GROMMET	1	
25	06030-06001	BEARING	2		85	4810-75100	RECOIL ASSY	1	
26	4810-21210	SEAL	1		86	4500-75120	• REEL	1	
27	1850-21220	SEAL	1		87	4500-75150	• SCREW	1	
28	04065-02812	SNAPRING	1		88	1850-75130	• SPRING	1	
29	4820-21310	BOLT TORX, M5x30	3		89	4500-75180	• COLLAR	1	
30	4810-41110	PISTON	1		90	4500-75190	• ARM	1	
31	5910-41210	RING	2		91	4810-75160	• ROPE	1	
32	T1513-41310	PIN	1		92	3330-75421	• KNOB	1	
33	1260-41320	SNAPRING	2		93	4810-75170	• PLATE	1	
34	5500-41410	BEARING	1		94	4500-75210	PULLEY	1	
35	1101-41340	WASHER	2		95	4820-85510	BOLT TORX, M5x16	2	
36	4810-42000	CRANKSHAFT-C	1		96	T1513-82100	BODY ASSY	1	
37	1000-43240	KEY	1		97	T1512-82130	• PLATE, choke	1	
38	5516-43230	EXTENTION	1		98	T1600-82140	• LEVER	1	
39	4810-71110	ROTOR	1		99	T1108-82190	• SCREW	1	
40	T1513-71200	COIL ASSY	1		100	T1513-82120	• PACKING	1	
41	T1513-71220	• CORD	1		101	T1513-82170	ELEMENT	1	
42	2616-71320	• CAP	1		102	T1513-82180	PLATE	1	
43	1260-71261	SPACER	2		103	T1513-82200	COVER ASSY	1	
44	4820-72150	BOLT TORX	2		104	T1108-82220	• KNOB	1	
45	T1513-81001	CARBURETOR ASSY	1	WYA-26B	105	5516-83101	CABLE	1	
46	T1551-06030	• REBUILD KIT	1		106	T1504-85002	TANK ASSY	1	
47	T1551-81450	••• BODY ASS'Y	1		107	T1015-85202	• CAP ASSY	1	
	-	••• SCREEN	1		108	4500-85300	••• HOLDER ASSY	1	
	-	••• VALVE	1		109	4500-85220	••• PACKING	1	
	-	••• SPRING	1		110	5601-85260	••• FILTER	1	
	-	••• PIN	1		111	4820-85260	••• STOPPER	1	
	-	••• LEVER	1		112	4810-85300	• PIPE-C	1	
53	4810-06021	•• GASKET KIT	1		113	3302-85400	• FILTER ASSY	1	
	-	••• DIAPHRAGM	1		114	2841-31280	• COLLER	1	
	-	••• GASKET, diaphragm	1		115	4820-85510	BOLT TORX, M5x16	3	
	-	••• DIAPHRAGM, pump	1		116	1133-82060	LABEL, choke	1	
	-	••• GASKET, pump	1		117	T4034-75610	LABEL, recoil	1	
	-	••• RING	1						
59	1850-81490	• BODY, purge	1						
60	1850-81520	• COVER, pump	1						

HB2301/HBZ2600

Fig.3 BLOWER GROUP

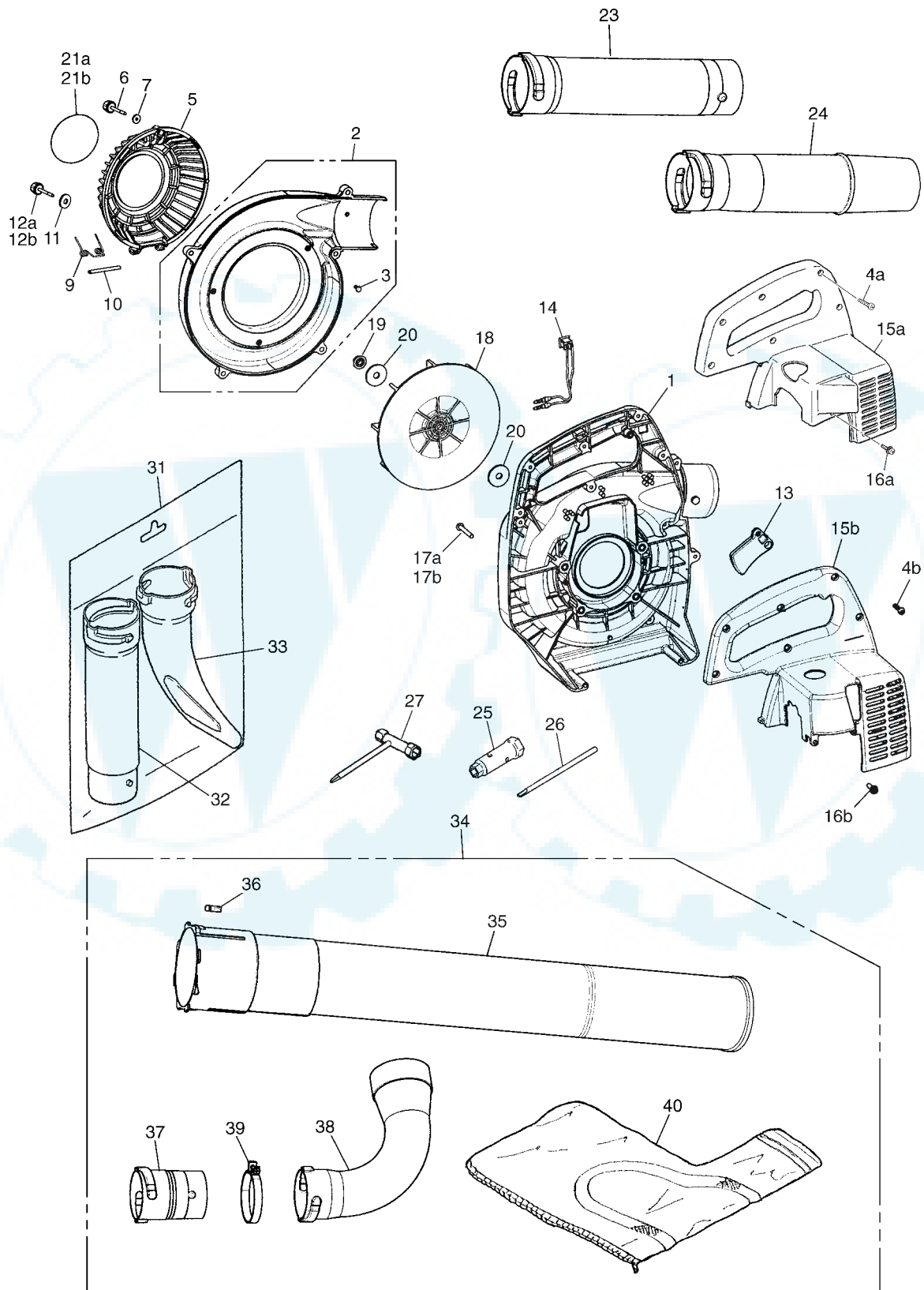


Fig.3 BLOWER GROUP

Key#	PART NUMBER	DESCRIPTION	Q'TY /UNIT	NOTE	Key#	PART NUMBER	DESCRIPTION	Q'TY /UNIT	NOTE
1	6811-11111	VOLUTE CASE	1						
2	T4022-11301	VOLUTE COVER ASSY	1						
3	1600-33130	• SCREW	3						
4a	6811-11250	SCREW	12	HB2301					
4b	T4970-52000	SCREW TORX	12	HBZ2600					
5	T4033-31310	GURD NET	1						
6	T4033-31320	SCREW	1						
7	T4033-31330	WASHER	1						
9	T4033-31350	SPRING	1						
10	T4033-31360	SHAFT	1						
11	T4033-32120	WASHER	1						
12a	6811-11170	SCREW	1	HB2301					
12b	T4970-51410	SCREW TORX	1	HBZ2600					
13	6811-11150	LEVER	1						
14	6811-72200	SWITCH	1						
15a	6811-11210	ENGINE COVER	1	HB2301					
15b	T4022-11210	ENGINE COVER	1	HBZ2600					
16a	1850-32160	SCREW	1	HB2301					
16b	4820-85510	BOLT TORX	2	HBZ2600					
17a	0263-90535	SCREW	4	HB2301					
17b	T4960-53510	SCREW TORX	4	HBZ2600					
18	6811-12110	FAN	1						
19	1650-43230	NUT	1						
20	6811-12220	WASHER	2						
21a	T4038-19110	LABEL, CAUTION	1	HB2301					
21b	T4034-19110	LABEL, CAUTION	1	HBZ2600					
23	6811-51211	PIPE CT2-18	1						
24	6811-51220	PIPE, END CT2-19	1						
25	1110-91320	SOCKET	1	HB2301					
26	3582-91330	BAR	1	HB2301					
27	T4017-91130	SOCKET	1	HBZ2600					
OPTION									
31	HBN-100	FLAT NOZZLE SET	1						
32	6811-51210	• PIPE	1						
33	6811-51230	• FLAT NOZZLE	1						
34	DB00004	VACUUM KIT	1						
35	T4032-52110	• PIPE, A	1						
36	T4027-52120	• LABEL	1						
37	T4027-52410	• EXTENSION	1						
38	T4027-52510	• ELBOW	1						
39	T4027-52610	• CLAMP	1						
40	T4027-52710	• BAG, DUST	1						

www.ersatzteil-service.de

www.ersatzteilplan.de



**ZENOAH
KOMATSU**

KOMATSU ZENOAH CO.

1-9 Minamidai, Kawagoe, Saitama, 350-1192 Japan

PRINTED IN JAPAN

PRINTED ON RECYCLED PAPER
IMPRIMÉ SUR PAPIER RECYCLÉ
GEDRUCKT AUF RECYCLING PAPIER
STAMPATO SU CARTA RICICLATA
IMPRESO EN PAPEL RECICLADO

Ihr Ersatzteilspezialist im Internet