

PARTS LIST

BACKPACK BLOWER

EBZ8000

NOTE :

1. Use KOMATSU ZENOAH genuine parts specified in the parts list for repair and/or replacement.
2. KOMATSU ZENOAH does not warrant the machines, those which have been damaged by the use of any parts other than those specified by the company.
3. When placing orders of parts for repair and/or replacement, check if the model name and the serial number are suitable to those specified in the parts list, then use parts number described in the parts list.
4. The contents described in the parts list may change due to improvement.
5. The parts for the machine shall be supplied within ten (10) years after the machine is discontinued.
[It is possible that some specific parts may be subject to change of their delivery term and list price within the limit of ten (10) years after the machine is discontinued. And it is also possible that some parts may be available even after the limit of ten (10) years.]

EBZ8000

Fig.1 BLOWER GROUP

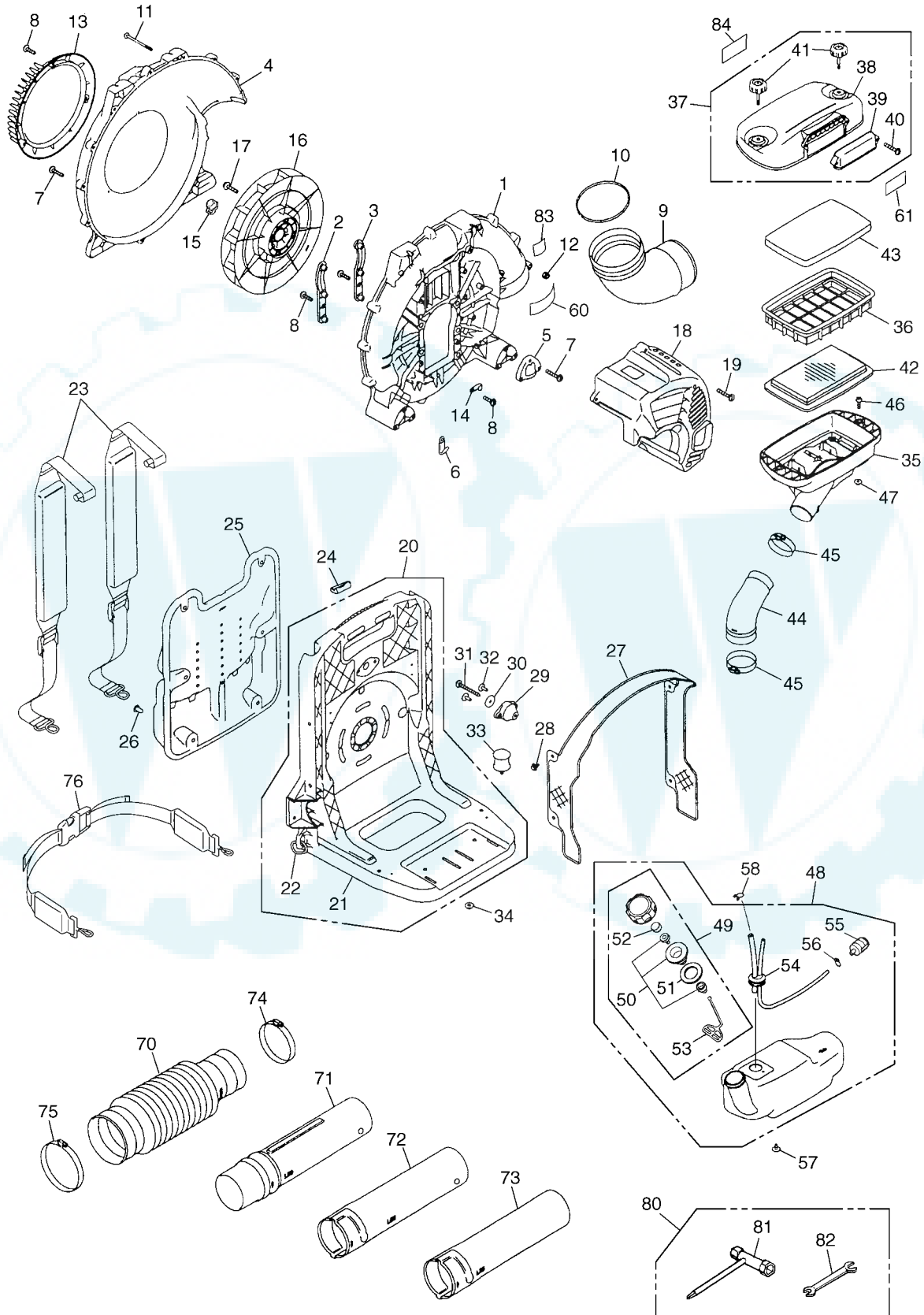


Fig.1 BLOWER GROUP

Key#	PART NUMBER	DESCRIPTION	Q'TY /UNIT	NOTE	Key#	PART NUMBER	DESCRIPTION	Q'TY /UNIT	NOTE
1	848L5855A3	VOLUTE CASE	1		53	4820-85260	•• STOPPER	1	
2	848L5855E1	PLATE(A)	1		54	848L588530	• PIPE COMP.	1	
3	848L5855F1	PLATE(B)	1		55	3302-85400	• FILTER	1	
4	848L5855Z0	VOLUTE COVER	1		56	1260-85460	• CLIP	1	
5	848L5855G0	BRACKET	2		57	T4960-51231	SCREW TORX	3	
6	2750-72230	CLAMP	1		58	1950-86120	CLIP	1	
7	T4970-52510	SCREW TORX	17						
8	T4970-51410	SCREW TORX	6		60	3436-91170	LABEL, CAUTION	1	
9	848L5855C0	ELBOW	1		61	848L5890R0	LABEL, EBZ8000	1	
10	07000-12100	O-RING	1						
11	T4960-57030	SCREW TORX	2		70	848L5865A1	HOSE	1	
12	3310-53331	NUT	2		71	848L586510	SWIVEL JOINT	1	
13	848L5855D4	COVER INLET	1		72	848L5865D0	PIPE, STRAIGHT	1	
14	8488K40010	CLAMP	1		73	848L5865E0	PIPE, END	1	
15	848L5855J0	CAP	1		74	8488K40020	CLAMP	1	
16	848L585212	FAN COMP.	1		75	8488K40030	CLAMP	1	
17	T4950-63031	BOLT TORX	4		76	848L583621	BAND ASSY	1	
18	848L5831A2	ENGINE COVER	1						
19	T4970-52510	SCREW TORX	4		80	8488U00020	TOOL-SET	1	
20	848L583513	FRAME COMP.	1		81	3540-91120	• SPANNER	1	
21	-	• FRAME	1		82	8488U10020	• SOCKET	1	
22	3490-21121	• RING	2		83	T2990-21120	LABEL (112dB)	1	
23	848L583611	BAND ASSY	2		84	848L5A90W0	LABEL	1	
24	848L5836C1	CLIP	2						
25	848L5835C2	PAD	1						
26	3495-21320	CLIP	6						
27	848L583521	NET COMP.	1						
28	1480-74710	CLIP	4						
29	2750-32510	DAMPER	1						
30	2750-32520	WASHER	1						
31	8488154000	BOLT TORX	1						
32	T4960-51631	SCREW TORX	2						
33	2750-32610	DAMPER	2						
34	2750-32620	NUT (M6)	2						
35	848L5883A2	BODY, CLEANER	1						
36	848L5883U2	CASE, INNER	1						
37	848L588322	COVER ASSY	1						
38	-	• COVER	1						
39	T4012-82220	• COVER	1						
40	T4970-52510	• SCREW TORX	2						
41	848L5883J1	• KNOB BOLT	2						
42	T4012-82311	ELEMENT	1						
43	T4012-82321	ELEMENT	1						
44	848L5883P2	HOSE	1						
45	8488K40000	CLAMP	2						
46	T4950-52030	BOLT TORX	4						
47	8488645000	NUT	4						
48	848L588511	TANK ASSY	1						
49	T1015-85202	• CAP ASSY	1						
50	4500-85300	•• HOLDER ASSY	1						
51	4500-85220	•• PACKING	1						
52	5601-85260	•• FILTER	1						

EBZ8000

Fig.2 ENGINE GROUP

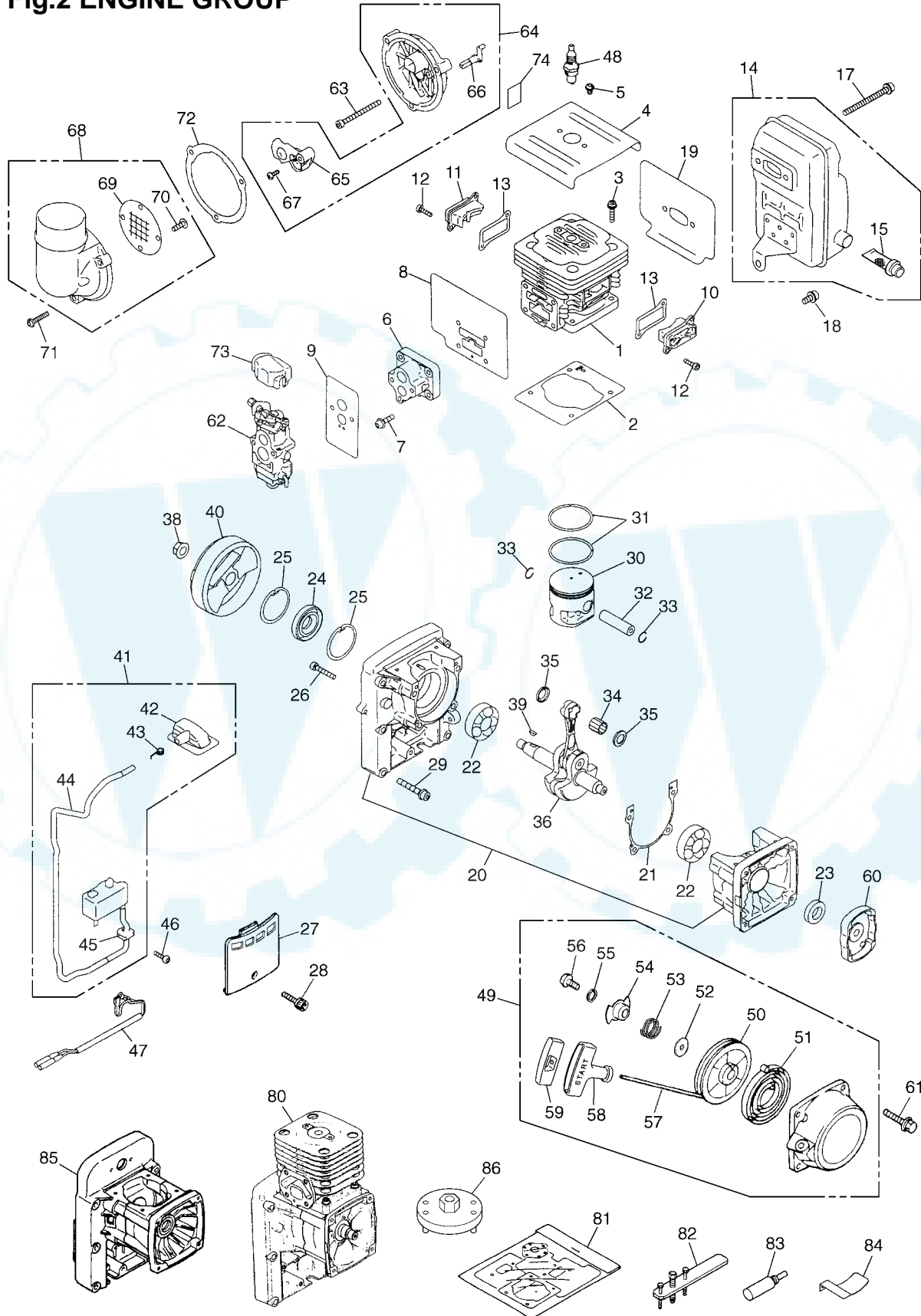


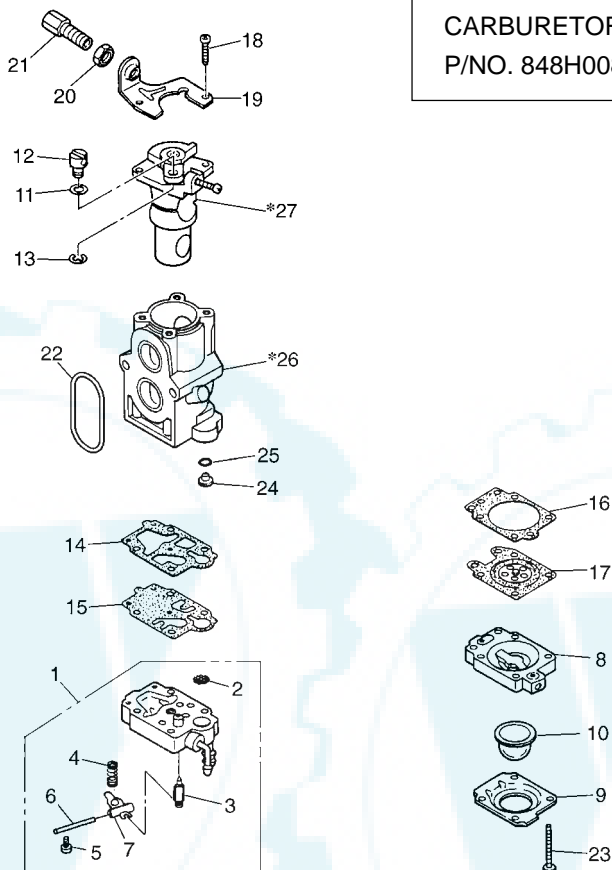
Fig.2 ENGINE GROUP

Key#	PART NUMBER	DESCRIPTION	Q'TY /UNIT	NOTE	Key#	PART NUMBER	DESCRIPTION	Q'TY /UNIT	NOTE
1	848H0012A1	CYLINDER	1		53	848H0075L1	• SPRING FRICTION	1	
2	848H0012B1	GASKET, BASE	1		54	848H0075K1	• PLATE FRICTION	1	
3	4820-12130	BOLT TORX	4		55	848H0075W1	• WASHER	1	
4	848H0012G0	PLATE, CYL	1		56	4500-75150	• SCREW	1	
5	T4960-50810	SCREW TORX	2		57	8488S90000	• ROPE	1	
6	848H0014A0	INSULATOR	1		58	848H0075J0	• KNOB	1	
7	8488152001	BOLT TORX	4		59	848H0075Z0	• KNOB CAP	1	
8	848H0014B2	GASKET, INSU	1		60	848H007520	PULLEY ASSY	1	
9	848H0014C1	GASKET, CARB	1		61	4820-32120	BOLT TORX	4	
10	848H0012C0	COVER, TR-S	1		62	848H008100	CARBURETOR ASSY	1	
11	848H0012D0	COVER, TR-F	1		63	4820-82310	BOLT TORX	2	
12	4820-72150	BOLT TORX	4		64	848H008330	CUP ASSY	1	
13	848H0012E1	GASKET TR	2		65	848H0083C1	• PLATE, CHOKE	1	
14	848H001510	MUFFLER ASSY	1		66	848H0083D0	• LEVER	1	
15	1421-15120	• ARRESTER	1		67	T1108-82190	• SCREW	1	
17	T4950-67031	BOLT TORX	2		68	848H008340	COVER ASSY	1	
18	T4950-61431	BOLT TORX	1		69	848H0083K1	• SCREEN	1	
19	848H0015C0	GASKET, MUFFLER	1		70	1491-82360	• SCREW	2	
20	848H002110	CRANKCASE COMP.	1		71	T4970-52510	SCREW TORX	3	
21	848H0021D1	GASKET, CASE	1		72	848H0083M1	GASKET, CUP	1	
22	84889G4200	BEARING	2		73	4500-81910	COVER	1	
23	8488AG2700	SEAL	1		74	T1108-82061	LABEL, CHOKE	1	
24	8488AG4200	SEAL	1		80	848H001000	SHORT BLOCK	1	Acc
25	04065-04218	SNAP RING	2		81	848H000610	GASKET KIT	1	Acc
26	4820-21310	BOLT TORX	4		82	2750-96100	PULLER ASSY	1	Acc
27	848H0021H0	COVER	1		83	4810-96220	STOPPER	1	Acc
28	4820-72150	BOLT TORX	1		84	2750-96240	GAUGE	1	Acc
29	8488164500	BOLT TORX	6		85	848H002100	CASE ASSY (with BAG)	1	Acc
30	848H0041A1	PISTON	1		86	8488W00020	PULLER	1	Acc
31	8488C50200	RING	2						
32	8488BC4500	PIN	1						
33	8488T31300	SNAP RING	2						
34	84888C1600	BEARING	1						
35	848873C000	WASHER	2						
36	848H004202	CRANKSHAFT COMP.	1						
38	1400-43230	NUT	1						
39	1000-43240	KEY	1						
40	848H0071A0	ROTOR	1						
41	848H007120	COIL ASSY	1						
42	T1108-72110	• CAP	1						
43	T1108-72120	• SPRING	1						
44	T1108-72130	• TUBE	1						
45	5500-72130	• GROMMET	1						
46	4820-72150	BOLT TORX	2						
47	T1108-71240	CORD COMP.	1						
48	3699-91809	SPARKPLUG	1						
49	848H007511	RECOIL ASSY	1						
50	848H0075C1	• REEL	1						
51	848H0075B0	• SPRING	1						
52	848H0075M1	• WASHER	1						

Acc: Accessory, which is not included in standard package.

EBZ8000

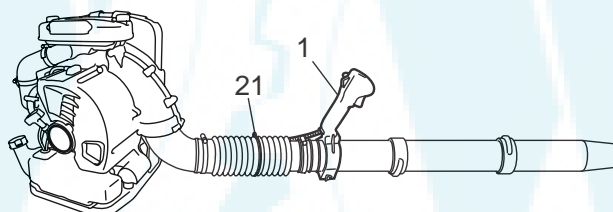
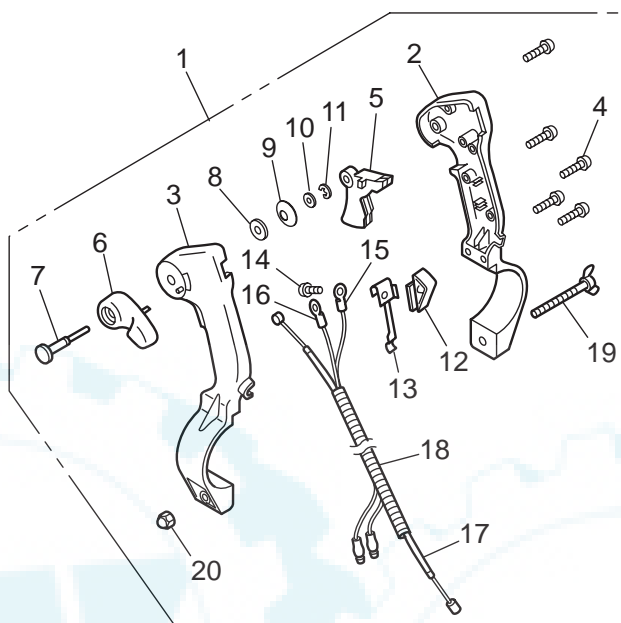
Fig.3 CARBURETOR COMPONENTS



Key#	PART NUMBER	DESCRIPTION	Q'TY /UNIT	NOTE	Key#	PART NUMBER	DESCRIPTION	Q'TY /UNIT	NOTE
1	T1108-81450	Body assy	1		19	5500-81120	Bracket	1	
2	-	Screen	1		20	1751-81180	Nut	1	
3	-	Valve	1		21	1918-81170	Screw	1	
4	-	Spring	1		22	848H0080A0	Ring, packing	1	
5	-	Screw	1		23	1850-81530	Screw	4	
6	-	Pin	1		24	2750-81250	Jet #59.0	1	
7	-	Lever	1		25	1751-81240	O-Ring	1	
8	1850-81490	Body	1		*26	-	Body	1	
9	1850-81520	Cover	1		*27	-	Valve assy	1	
10	1751-81510	Pump	1						
11	5500-81160	Washer	1						
12	1881-81140	Swivel	1						
13	1751-81130	Ring	1						
14	4810-81410	Gasket	1						
15	1065-81420	Diaphragm	1						
16	1850-81470	Gasket	1						
17	4810-81260	Diaphragm	1						
18	1752-81110	Screw	2						

[NOTE]
 *26-BODY and *27-VALVE ASSY are not supplied as an individual part respectively, but supplied as a CARBURETOR ASSY (P/NO. 848H008100).

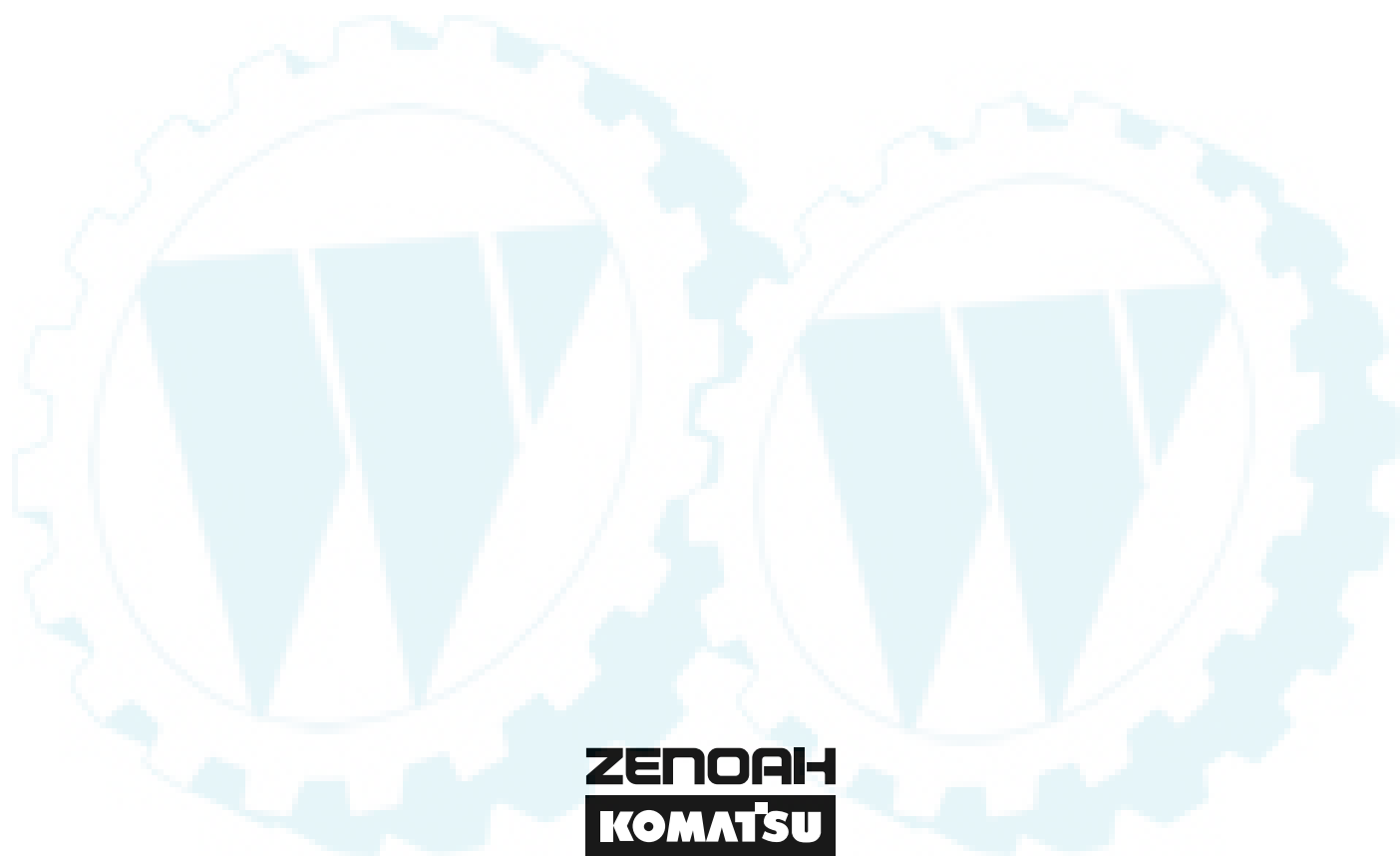
Fig.4 LEVER SET



Key#	PART NUMBER	DESCRIPTION	Q'TY /UNIT	NOTE	Key#	PART NUMBER	DESCRIPTION	Q'TY /UNIT	NOTE
1	848L593411	LEVER SET	1		19	3495-51420	• WING BOLT	1	
2	848L5934A0	• CASE	1		20	2750-51540	• NUT	1	
3	848L5934B0	• COVER	1		21	848L5965G0	CLAMP	1	
4	T4023-25310	• SCREW 4x14	5						
5	T4023-25410	• LEVER, throttle	1						
6	848L5434D1	• LEVER	1						
7	T4023-25440	• SHAFT	1						
8	T4023-25450	• WASHER	1						
9	T4023-25460	• SPRING WASHER	1						
10	3238-15230	• WASHER	1						
11	T4023-25480	• CLIP	1						
12	T4023-25710	• SWITCH	1						
13	T4023-25721	• SPRING	1						
14	T4023-25730	• SCREW 4x10	1						
15	T4023-25740	• CORD	1						
16	T4023-25750	• CORD	1						
17	8488P00190	• CABLE	1						
18	8488H19402	• TUBE	1						

www.ersatzteil-service.de

www.ersatzteilplan.de



ZENOAH
KOMATSU

KOMATSU ZENOAH CO.

1-9 Minamidai, Kawagoe, Saitama, 350-1192 Japan

PRINTED IN JAPAN

Ihr Ersatzteilspezialist im Internet

PRINTED ON RECYCLED PAPER
IMPRIMÉ SUR PAPIER RECYCLÉ
GEDRUCKT AUF RECYCLING PAPIER
STAMPATO SU CARTA RICICLATA
IMPRESO EN PAPEL RECICLADO