

PARTS LIST

Strato-Charged BACKPACK BLOWER

EBZ4800

NOTE :

1. Use KOMATSU ZENOAH genuine parts specified in the parts list for repair and/or replacement.
2. KOMATSU ZENOAH does not warrant the machines, those which have been damaged by the use of any parts other than those specified by the company.
3. When placing orders of parts for repair and/or replacement, check if the model name and the serial number are suitable to those specified in the parts list, then use parts number described in the parts list.
4. The contents described in the parts list may change due to improvement.
5. The parts for the machine shall be supplied within ten (10) years after the machine is discontinued.
[It is possible that some specific parts may be subject to change of their delivery term and list price within the limit of ten (10) years after the machine is discontinued. And it is also possible that some parts may be available even after the limit of ten (10) years.]

EBZ4800

Fig.1 BLOWER GROUP (S/N 301604 and up)

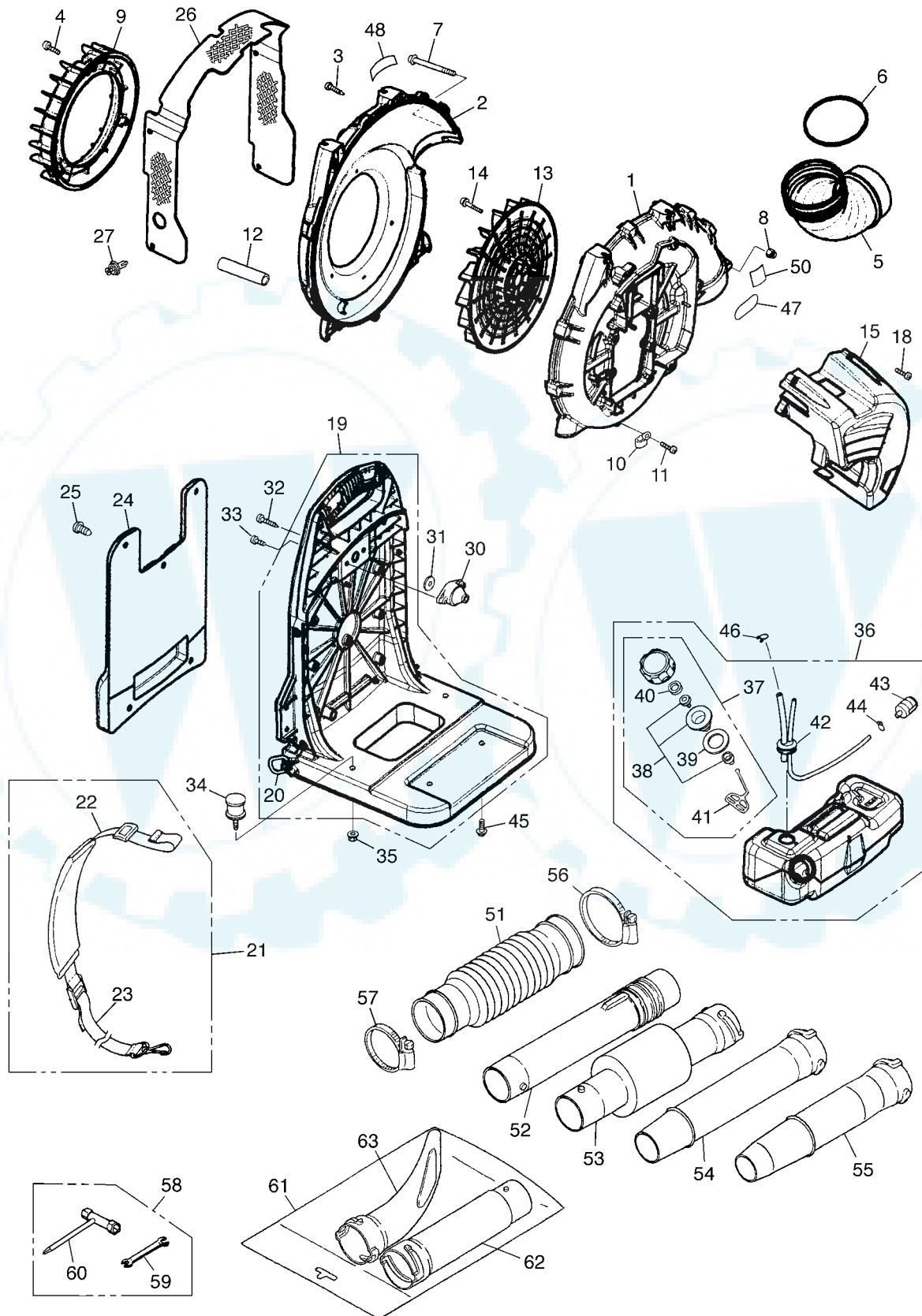


Fig.1 BLOWER GROUP (S/N 301604 and up)

Key#	PART NUMBER	DESCRIPTION	Q'TY /UNIT	NOTE	Key#	PART NUMBER	DESCRIPTION	Q'TY /UNIT	NOTE
1	T4017-31110	VOLUTE CASE	1		55	2756-51220	PIPE, END	1	
2	T4017-31210	VOLUTE COVER	1		56	2756-51510	CLAMP	1	
3	T4970-52510	SCREW	10		57	2756-51520	CLAMP	1	
4	T4970-52510	SCREW	3		58	T4017-91000	TOOL SET	1	
5	3490-11150	ELBOW	1		59	3540-91120	• SPANNER	1	
6	07000-02095	O-RING	1		60	T4017-91130	• SOCKET	1	
7	T4960-57030	SCREW	2		61	6811-51200	FLAT NOZZLE SET	1	*Acc
8	3310-53331	NUT	2		62	6811-51211	PIPE	1	*Acc
9	T4017-31310	FUNNEL	1		63	6811-51230	FLAT NOZZLE	1	*Acc
10	1140-72231	CLAMP	1						
11	T4970-51410	SCREW	1						
12	2750-31290	TUBE	1						
13	T4017-31510	FAN	1						
14	T4950-63031	BOLT	4						
15	T4017-31610	ENGINE COVER-A	1						
18	T4970-52510	SCREW	5						
19	T4017-32100	FLAME-C	1						
20	3490-21121	• RING	2						
21	2756-32300	BAND ASSY	2						
22	2756-32310	• BAND (A)	2						
23	T4017-32320	• BAND (B)	2						
24	T4017-21310	PAD	1						
25	3495-21320	CLIP	5						
26	T4017-32500	NET-C	1						
27	1480-74710	CLIP	4						
30	2750-32510	DAMPER, UPPER	1						
31	2750-32520	WASHER	1						
32	T4972-54010	SCREW	1						
33	T4960-51631	SCREW	2						
34	2750-32610	DAMPER, LOWER	2						
35	2750-32620	NUT	2						
36	T4017-85100	TANK ASSY	1						
37	T1015-85202	• CAP-A	1						
38	4500-85300	•• HOLDER-A	1						
39	4500-85220	•• PACKING	1						
40	5601-85260	•• FILTER	1						
41	4820-85260	•• STOPPER	1						
42	2750-85300	• PIPE COMP	1						
43	3302-85400	• FILTER	1						
44	1260-85460	• CLIP	1						
45	T4960-51231	SCREW	2						
46	1950-86120	CLIP	1						
47	3436-91170	LABEL, CAUTION	1						
48	T4012-32610	LABEL, NET	1						
50	T2990-21040	LABEL	1						
51	T4017-51110	HOSE	1						
52	2750-51200	SWIVEL JOINT	1						
53	T4017-51300	PIPE, SILENCER	1						
54	6811-51220	PIPE, END	1						

*Acc: Accessory, which is not included in standard package.

EBZ4800

Fig.2 ENGINE GROUP (S/N 301604 and up)

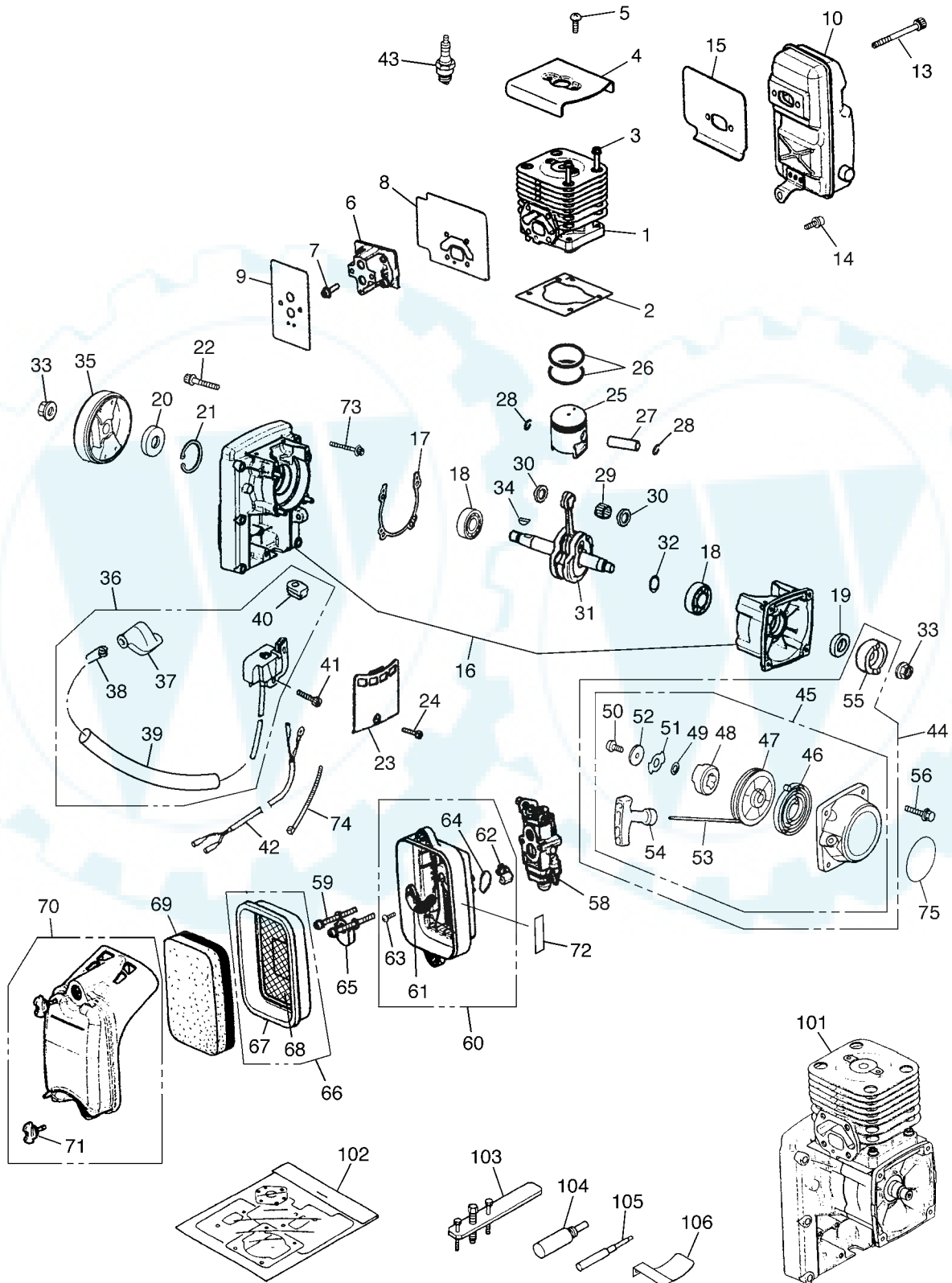


Fig.2 ENGINE GROUP (S/N 301604 and up)

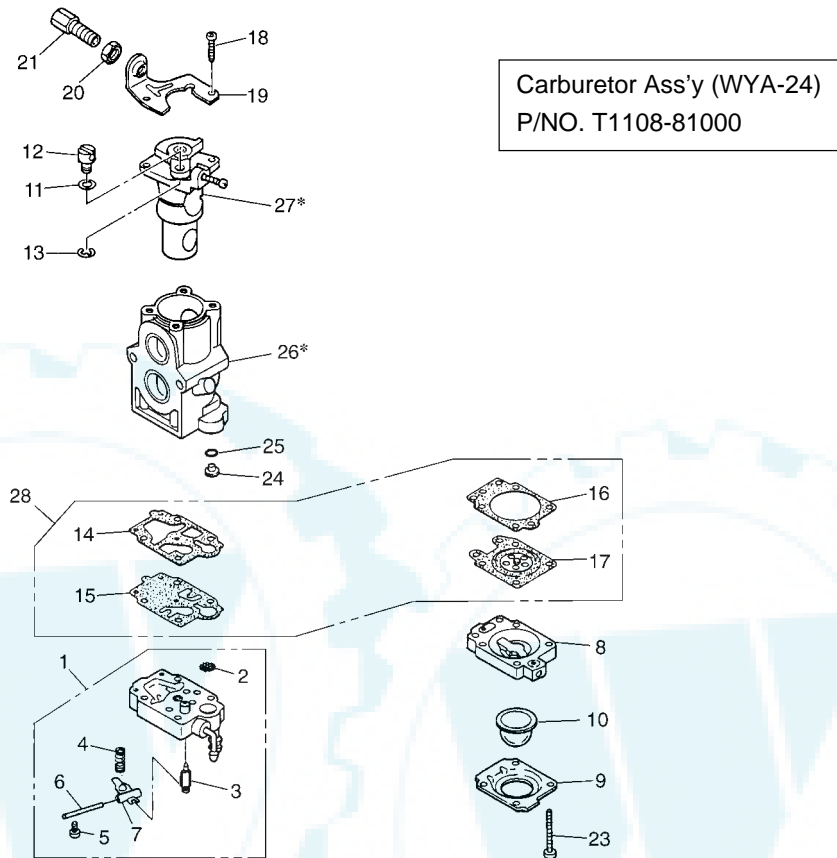
Key#	PART NUMBER	DESCRIPTION	Q'TY /UNIT	NOTE	Key#	PART NUMBER	DESCRIPTION	Q'TY /UNIT	NOTE
1	T1108-12110	CYLINDER	1		53	1400-75160	•• ROPE	1	
2	T1108-12210	GASKET, BASE	1		54	1400-75170	•• KNOB	1	
3	4820-12130	BOLT	4		55	1487-75211	• PULLEY	1	
4	T1108-12310	PLATE	1		56	T4960-51431	SCREW	4	
5	T4960-50810	SCREW	2						
6	T1108-13160	INSULATOR	1		58	T1108-81000	CARBURETOR	1	
7	8488152000	BOLT	4		59	T4950-56240	BOLT	2	
8	848GC01431	GASKET, INSU	1		60	T1108-82100	BODY-A	1	
9	T1108-13130	GASKET, CARB	1		61	T1108-82130	• PLATE, CHOKE	1	
10	T1108-15110	MUFFLER	1		62	T1108-82140	• LEVER	1	
					63	T1108-82190	• SCREW	1	
13	T4950-67031	BOLT	2		64	T1108-82180	• O-RING	1	
14	T4950-61431	BOLT	1		65	T1108-82150	PLATE	1	
15	T1108-15210	GASKET, MUFF	1		66	T1108-82300	PACKING-C	1	
16	T1108-21101	CRANKCASE-C	1		67	T1108-82310	• PACKING	1	
17	T1108-21140	GASKET, CASE	1		68	T1108-82320	• SCREEN	1	
18	T4012-21240	BEARING	2		69	T1108-82170	ELEMENT	1	
19	T4019-21210	SEAL	1		70	T1108-82200	COVER-A	1	
20	T1108-21220	SEAL	1		71	T1108-82220	• KNOB	2	
21	04065-03515	SNAPRING	1		72	T1108-82061	LABEL, CHOKE	1	
22	4820-21310	BOLT	4		73	T4950-64031	BOLT	6	
23	2750-21211	COVER, MAG	1		74	6129-61210	BAND	1	
24	4820-72150	BOLT	1		75	T4028-75610	LABEL, RECOIL	1	
25	T1108-41110	PISTON	1						
26	2670-41211	RING, PISTON	2		101	T1108-05010	SHORT BLOCK	1	*Acc
27	2880-41310	PIN	1		102	T1108-06010	GASKET KIT	1	*Acc
28	3350-41320	SNAPRING	2		103	2750-96100	PULLER	1	*Acc
29	1400-41410	BEARING	1		104	4810-96220	STOPPER	1	*Acc
30	2616-41510	WASHER	2		105	2750-96230	GUIDE	1	*Acc
31	T1108-42000	CRANKSHAFT-C	1		106	2750-96240	GAUGE	1	*Acc
32	1300-42410	SHIM	1						
33	1400-43230	NUT	2						
34	1000-43240	KEY	1						
35	T1108-71110	ROTOR	1						
36	T1108-71200	COIL-A	1						
37	T1108-72110	• CAP	1						
38	T1108-72120	• SPRING	1						
39	T1108-72130	• TUBE	1						
40	5500-72130	• GROMMET	1						
41	4820-72150	BOLT	2						
42	T1108-71240	CORD COMP	1						
43	T2070-73110	SPARK PLUG (CHAMPION)	1	**RZ7C					
	T1108-73110	SPARK PLUG (NGK)	1	**CMR7H					
44	1487-75001	STARTER-A	1						
45	1487-75101	• RECOIL-A	1						
46	1180-75221	•• SPRING	1						
47	1487-75120	•• REEL	1						
48	1487-75140	•• DOG	1						
49	1861-75150	•• WASHER	1						
50	1483-75270	•• SCREW	1						
51	1487-75160	•• RETAINER	1						
52	1487-75170	•• WASHER	1						

*Acc: Accessory, which is not included in standard package.

**These spark plugs are equivalent.

EBZ4800

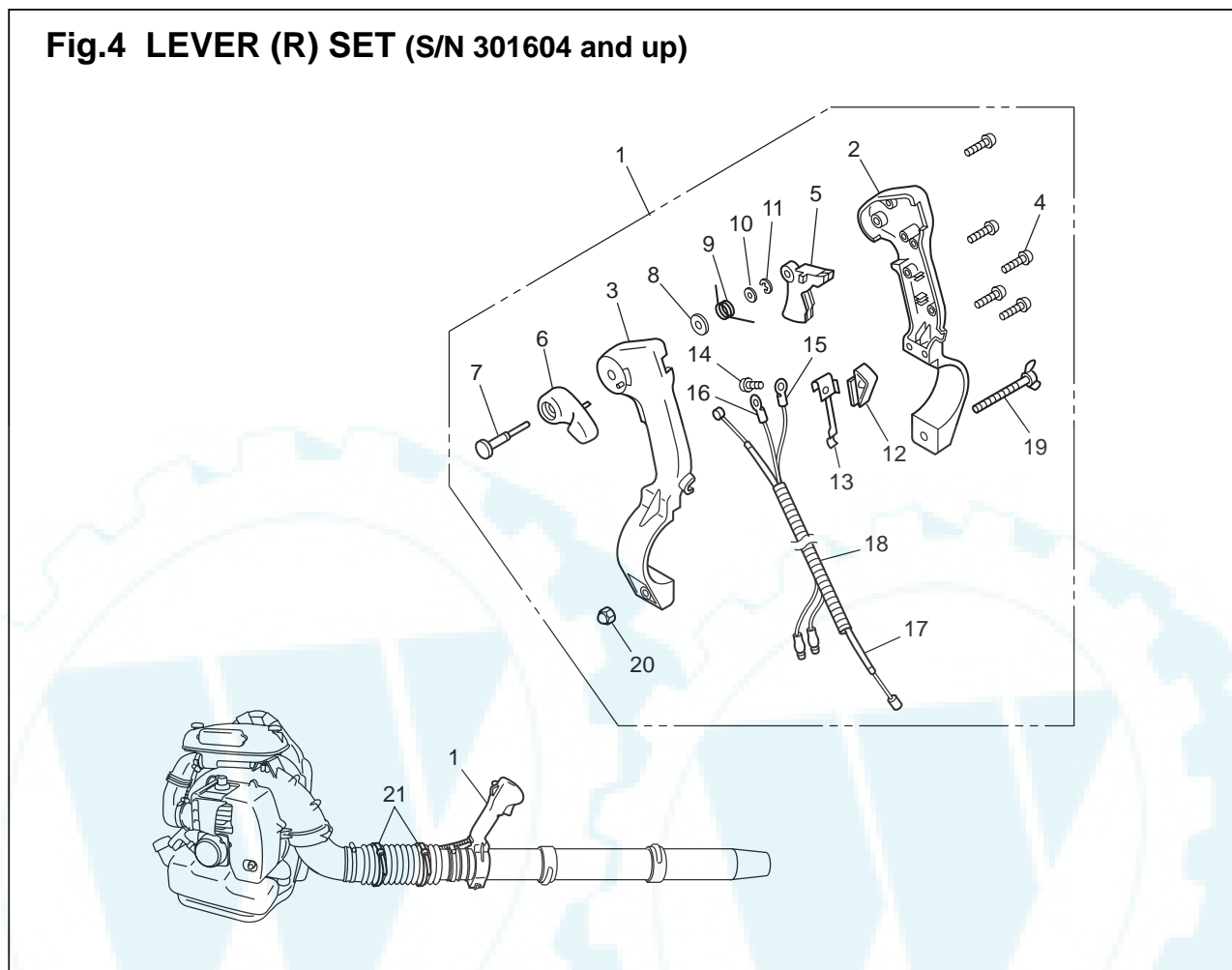
Fig.3 CARBURETOR COMPONENTS (S/N 301604 and up)



Key#	PART NUMBER	DESCRIPTION	Q'TY /UNIT	NOTE	Key#	PART NUMBER	DESCRIPTION	Q'TY /UNIT	NOTE
1	T1108-81450	Body ass'y	1		20	1751-81180	Nut	1	
2	_____	Screen	1		21	1918-81170	Screw	1	
3	_____	Valve	1		23	1850-81530	Screw	4	
4	_____	Spring	1		24	T1108-81910	Jet	1	#43.5
5	_____	Screw	1		25	1751-81240	O-Ring	1	
6	_____	Pin	1		26*	_____	Body	1	
7	_____	Lever	1		27*	_____	Valve ass'y	1	
8	1850-81490	Body	1		28	4810-06020	Gasket Kit (Key# 14,15,16,17)		*Acc
9	1850-81520	Cover	1		<p>[NOTE]</p> <ul style="list-style-type: none"> • 26*-Body and 27*-Valve ass'y are not supplied as an individual part respectively, but supplied as a carburetor ass'y (P/NO. T1108-81000). 				
10	1751-81510	Pump	1						
11	5500-81160	Washer	1						
12	1881-81140	Swivel	1						
13	1751-81130	Ring	1						
14	_____	Gasket	1						
15	_____	Diaphragm	1						
16	_____	Gasket	1						
17	_____	Diaphragm	1						
18	1752-81110	Screw	2						
19	5500-81120	Bracket	1						

*Acc: Accessory, which is not included in standard package.

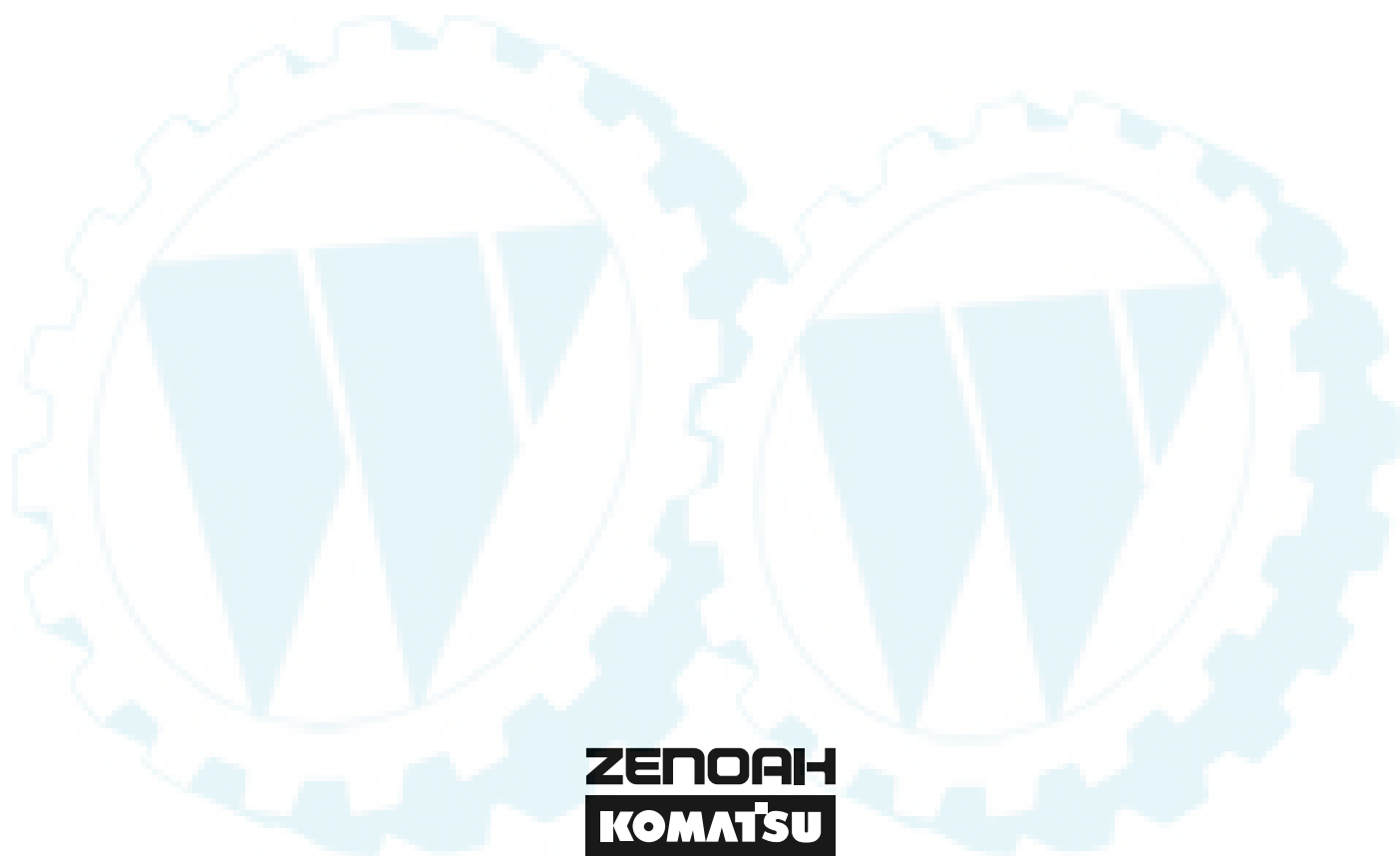
Fig.4 LEVER (R) SET (S/N 301604 and up)



Key#	PART NUMBER	DESCRIPTION	Q'TY /UNIT	NOTE	Key#	PART NUMBER	DESCRIPTION	Q'TY /UNIT	NOTE
1	848L543411	LEVER (R) SET	1		20	2750-51540	• NUT	1	
2	848L5434A1	• CASE	1		21	3486-84110	BAND	2	
3	T4023-25210	• COVER	1						
4	T4023-25310	• SCREW 4x14	5						
5	T4023-25410	• LEVER, throttle	1						
6	848L5434D1	• LEVER	1						
7	T4023-25440	• SHAFT	1						
8	T4023-25450	• WASHER	1						
9	T4023-25460	• SPRING	1						
10	3238-15230	• WASHER	1						
11	T4023-25480	• CLIP	1						
12	T4023-25710	• SWITCH	1						
13	T4023-25721	• SPRING	1						
14	T4023-25730	• SCREW 4x10	1						
15	T4023-25740	• CORD	1						
16	T4023-25750	• CORD	1						
17	T4023-83100	• CABLE	1						
18	T4023-83210	• TUBE	1						
19	3495-51420	• WING BOLT	1						

www.ersatzteil-service.de

www.ersatzteilplan.de



ZENOAH
KOMATSU

KOMATSU ZENOAH CO.

1-9 Minamidai, Kawagoe, Saitama, 350-1192 Japan

PRINTED IN JAPAN

Ihr Ersatzteilspezialist im Internet

PRINTED ON RECYCLED PAPER
IMPRIMÉ SUR PAPIER RECYCLÉ
GEDRUCKT AUF RECYCLING PAPIER
STAMPATO SU CARTA RICICLATA
IMPRESO EN PAPEL RECICLADO