



PARTS LIST

CHAIN SAWS

G561AVS
G621AVS

APPLICABLE SERIAL NUMBERS:

Nov. 2003

G561AVS — 814608 and up

G621AVS — 820954 and up

[Ihr Ersatzteilspezialist im Internet](#)

Fig.1

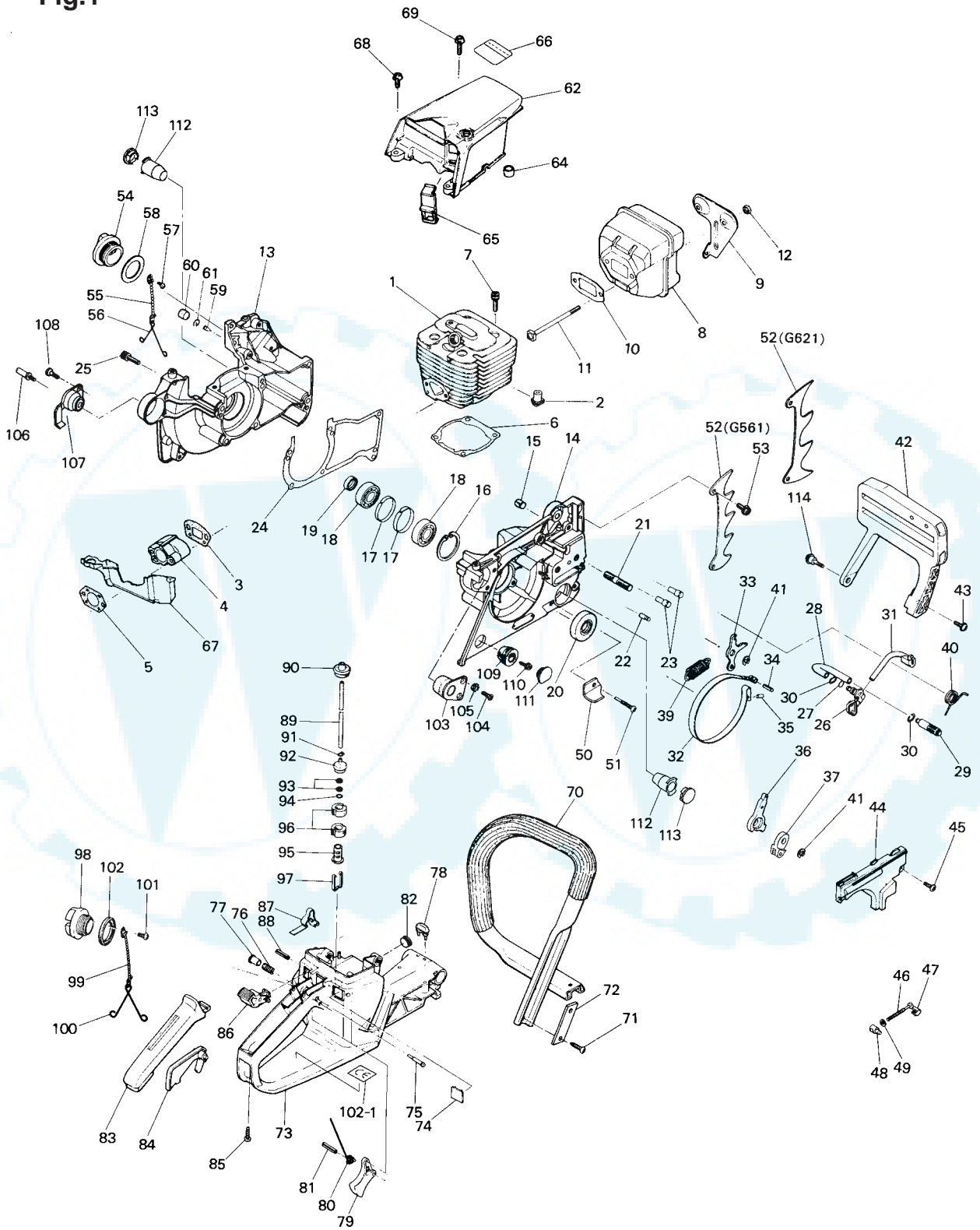


Fig.2

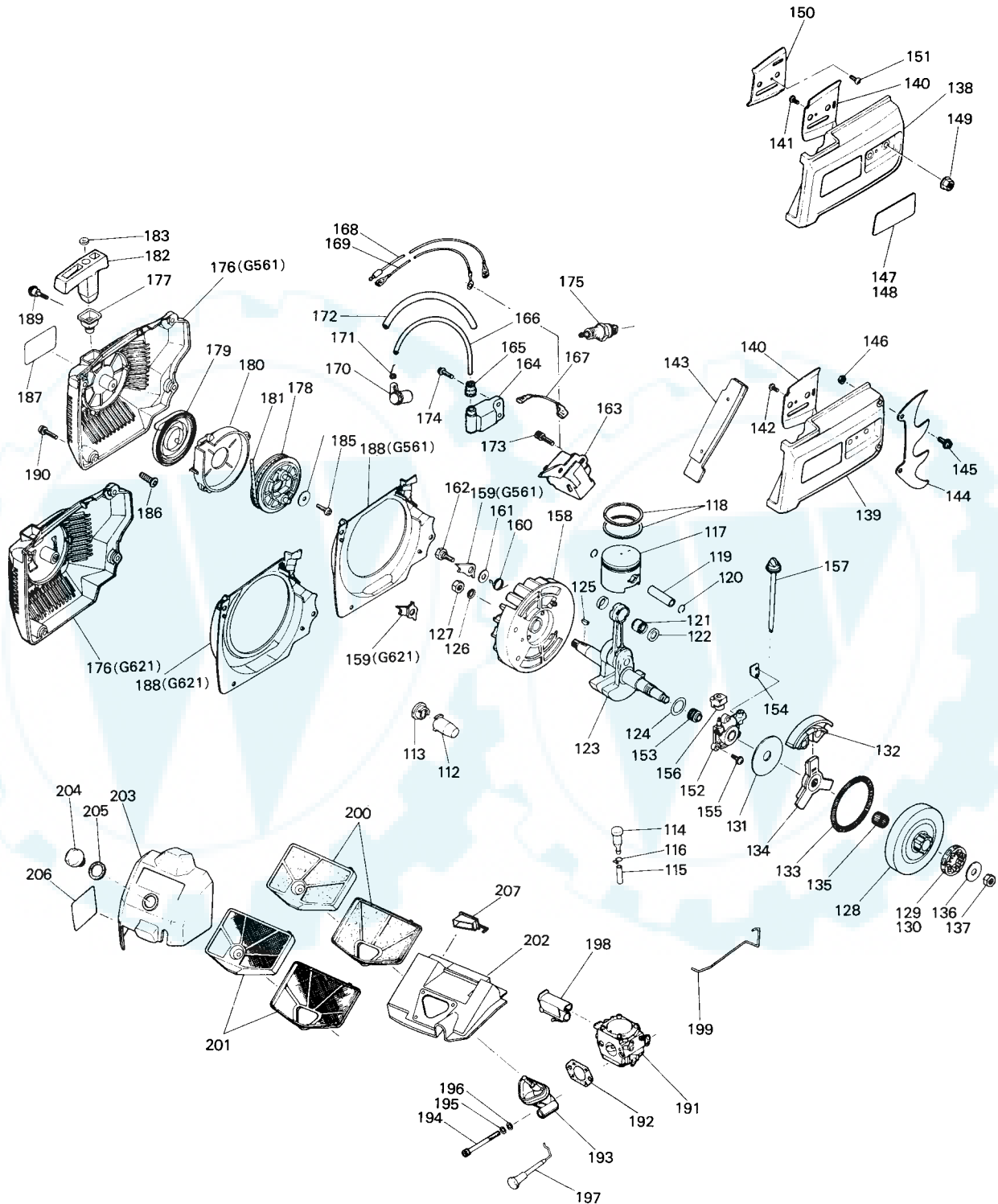


Fig.1

Key No.	Part Number		Description	Q'ty /Unit	Remarks
	G561	G621			
1 – 1	2616-12112	2618-12115	CYLINDER	1	K4
– 2	3356-12141		GROMMET	1	K4
– 3	2616-14111		GASKET, insulator	1	K1
– 4	2616-14120	2618-14120	INSULATOR	1	
– 5	2616-14131	2618-14131	GASKET, carburetor	1	K1
– 6	2616-14211		GASKET, cylinder base	1	K1, K4
– 7	3310-12281		BOLT	4	K4
	2610-15101		MUFFLER ASSEMBLY	1	Incl. 8 & 9
– 8	2610-15111		MUFFLER	1	
– 9	3356-15123		STAY	1	
– 10	3356-15210		GASKET, muffler	1	K1
– 11	3356-15220		BOLT	2	
– 12	3356-15230		NUT	2	
	2616-21002		CRANKCASE ASSEMBLY	1	Incl. 13 thru 24
– 13	☆		CRANKCASE MAG	1	☆2616-21002 K4
– 14	☆		CRANKCASE PTO	1	☆2616-21002 K4
– 15	3356-21130		PIN	3	K4
– 16	04065-03515		SNAP RING	1	K4
– 17	2616-21250		RING	2	
– 18	06030-06202		BEARING	2	K4
– 19	3350-21210		OIL SEAL, MAG	1	K4
– 20	1400-21220		OIL SEAL, PTO	1	K4
– 21	2616-21230		STUD	2	K4
– 22	3350-21250		SPRING PIN	1	K4
– 23	3356-21270		PIN, brake arm	2	K4
– 24	3356-21311		GASKET, crankcase	1	K1, K4
– 25	3310-12281		BOLT	6	K4
	3356-23100		OIL PIPE COMPLETE	1	Incl. 26 thru 30
– 26	3356-23110		PIPE, oil	1	
– 27	07000-01008		O-RING	1	
– 28	3310-57312		PIPE	1	
– 29	3310-57412		WEIGHT	1	
– 30	3310-57511		CLIP	2	
– 31	3356-23211		PIPE, oil	1	
	3356-24101		BRAKE BAND COMPLETE	1	Incl. 32 thru 34
– 32	3356-24111		BAND, brake	1	
– 33	3356-24120		ARM, brake	1	
– 34	04025-00408		SPRING PIN	1	
– 35	3356-24140		ROLLER	1	
– 36	2622-24210		LEVER	1	
– 37	2622-24500		STOPPER, brake	1	
– 38					
– 39	2622-24600		SPRING, brake	1	
– 40	3356-24240		SPRING	1	
– 41	0308-00060		SNAP RING	2	
– 42	2622-24310		GUARD	1	
– 43	2616-24320		SCREW	1	
– 44	3356-24412		COVER, brake	1	
– 45	0263-60514		SCREW	2	
– 46	3350-25111		SCREW, chain adjust	1	
– 47	3350-25121		STOPPER, adjust screw	1	
– 48	3320-21191		NUT (A)	1	
– 49	01641-20508		WASHER	1	
– 50	2616-25210		CATCHER, chain	1	
– 51	2616-25230		SCREW	1	
– 52	3350-25310	2623-25310	SPIKE	1	
– 53	2616-25320		SCREW	2	
	3356-26100		CAP ASSEMBLY, oil tank	1	Incl. 54 thru 58
– 54	☆		CAP, oil tank	1	☆3356-26100
– 55	☆		CHAIN, cap	1	☆3356-26100
– 56	☆		STOPPER	1	☆3356-26100
– 57	☆		SCREW	1	☆3356-26100

Fig.1

Key No.	Part Number		Description	Q'ty /Unit	Remarks
	G561	G621			
1 – 58		3317-57220	GASKET	1	
– 59		3330-23121	VALVE	1	
– 60		3350-26220	SEAL, breather	1	
– 61		3350-26230	CLIP	1	
		2626-31104	COVER COMPLETE, cylinder	1	Incl. 62 thru 65
– 62		2626-31110	COVER, cylinder	1	
– 64		3356-31120	CAP, cylinder cover	1	
– 65		3356-31152	GROMMET	1	
– 66	2626-31170	2627-31170	LABEL	1	
– 67		3356-31212	SEAL, cylinder cover	1	
– 68		0263-90514	SCREW	2	
– 69		0263-90520	SCREW	1	
– 70		2620-32100	FRONT HANDLE COMPLATE	1	
– 71		2671-32210	SCREW	4	
– 72		2851-32180	PLATE	2	
		2622-33005	REAR HANDLE ASSEMBLY	1	Incl. 73 thru 82
– 73		2622-33105	REAR HANDLE COMPLETE	1	
– 74		3350-33220	PLATE	1	
– 75		3330-33250	STOPPER	1	
– 76		3310-33262	SPRING	1	
– 77		3310-33271	KNOB	1	
– 78		2810-33280	DAMPER (A)	1	
– 79		3356-33311	LEVER, throttle	1	
– 80		3356-33321	SPRING, throttle	1	
– 81		04025-00524	SPRING PIN	1	
– 82		2616-33412	DAMPER (B)	1	
– 83		3356-34111	COVER, grip	1	
– 84		3356-33351	ARM	1	
– 85		3356-32210	SCREW	1	
– 86		3350-34210	LEVER, switch	1	
– 87		3356-34221	SPRING, switch	1	
– 88		2616-34230	SPRING PIN	1	
		3356-34301	FUEL PIPE ASSEMBLY	1	Incl. 89 thru 97
– 89		3356-34310	PIPE	1	
– 90		3356-34320	GROMMET	1	
– 91		1260-85460	CLIP	1	
		3302-85400	FILTER ASSEMBLY	1	Incl. 94 thru 97
– 92		☆	BODY	1	
– 93		3302-85420	SCREEN	2	
– 94		☆	RING	1	☆3302-85400
– 95		☆	SLEEVE	1	☆3302-85400
– 96		3306-85450	FILTER	2	
– 97		☆	CLIP	1	☆3302-85400
		3350-34400	CAP ASSEMBLY, fuel tank	1	Incl. 98 thru 102
– 98		☆	CAP, fuel tank	1	
– 99		☆	CHAIN, cap	1	☆3350-34400
–100		☆	STOPPER	1	☆3350-34400
–101		☆	SCREW	1	☆3350-34400
–102		3350-34450	GASKET	1	
–102-1		2634-31420	LABEL, CE	1	
–103		2616-35151	DAMPER, rear right	1	
–104		0262-10514	SCREW	2	
–105		3320-14140	WASHER	2	
–106		2616-35170	BOLT	2	
–107		2616-35132	DAMPER, rear left	1	
–108		2616-25320	SCREW	2	
–109		2616-35141	DAMPER, rear right bottom	1	
–110		1490-32120	SCREW	1	
–111		2616-35181	CAP	1	
–112		2616-35112	DAMPER, front	2	
–113		3356-35121	CAP	2	
–114		848C9075Z1	SCREW	1	

Fig.2

Key No.	Part Number		Description	Q'ty /Unit	Remarks
	G561	G621			
2 – 112		2616-35112	DAMPER, front	2	
– 113		3356-35121	CAP	2	
		3350-34501	BREATHER ASSEMBLY	1	Incl. 114 thru 116
– 114		3317-86100	BREATHER	1	
– 115		3350-34540	PIPE	1	
– 116		1260-85460	CLIP	1	
– 117	2616-41112	2618-41112	PISTON	1	K4
– 118	2616-41210	2618-41210	RING, piston	2	K4
– 119	3360-41310	3366-41310	PIN, piston	1	K4
– 120		3350-41320	SNAP RING	2	K4
– 121		1400-41410	NEEDLE BEARING	1	K4
– 122		2616-41510	THRUST WASHER	2	K4
– 123		2616-42007	CRANKSHAFT COMPLETE	1	K4
– 124		1300-42410	SHIM	0~2	K4
– 125		1000-43240	KEY	1	
– 126		0290-21025	WASHER	1	
– 127		1300-43231	NUT	1	
– 128		3350-51110	DRUM, clutch	1	
– 129	3350-51121	3360-51120	RIM, sprocket	1	325Px7T 3/8Px7T
– 130		3350-98810	RIM, sprocket	1	OP 325Px8T
		2616-51202	CLUTCH ASSEMBLY	1	Incl. 131 thru 134
– 131		2616-51210	PLATE, clutch	1	
– 132		☆	SHOE, clutch	1	☆2616-51202
– 133		3350-51231	SPRING, clutch	1	
– 134		☆	BOSS, clutch	1	☆2616-51202
– 135		3320-41410	NEEDLE BEARING	1	
– 136		3350-51320	WASHER	1	
– 137		3310-43220	NUT	1	
		3356-53003	CHAIN COVER ASSEMBLY	1	Incl. 138 thru 141 K6
– 138		2618-53002	CHAIN COVER ASSEMBLY	1	OP Incl. 139 thru 143
– 139		☆	CHAIN COVER	1	☆3356-53003
– 140		☆	CHAIN COVER	1	OP ☆2618-53002 K6
– 141		3356-53220	PLATE, outer	1	K6
– 142		0277-10410	SCREW	1	
– 143		0261-00410	SCREW	1	OP K6
– 144		2616-53300	PROTECTOR COMPLETE	1	OP K6
– 145		2618-53510	SPIKE	1	OP K6
– 146		2670-14320	SCREW	2	OP K6
– 147		3310-53331	NUT	2	OP K6
– 148	2622-53121	2623-53121	LABEL	1	
– 149		3350-53410	NUT, chain cover	2	
– 150		3356-53210	PLATE, inner	1	
– 151		0261-00410	SCREW	1	
		3356-55102	OIL PUMP ASSEMBLY	1	Incl.152 & 153
– 152		3356-55112	BODY	1	
– 153		3356-55120	WORM	1	
– 154		3356-55310	GASKET, oil pump	1	
– 155		0263-90520	SCREW	3	
– 156		3356-55450	GROMMET, oil pump	1	
– 157		3356-55511	SHAFT, oil adjust	1	
	2616-71102	2618-71102	ROTOR COMPLETE	1	Incl. 158 thru 162
– 158		2616-71112	ROTOR	1	
– 159	3320-71120	3366-71120	RATCHET	2	
– 160		3350-71131	SPRING	2	
– 161		3388-71150	WASHER	2	
– 162		3310-71142	BOLT	2	
– 163		2616-71210	SOURCE COIL	1	

Fig.2

Key No.	Part Number		Description	Q'ty /Unit	Remarks
	G561	G621			
2 -164	2616-71301		IGNITION COIL COMPLETE	1	Incl. 164 thru 166
- 165	☆		COIL, ignition	1	☆2616-71301
- 166	2616-71320		CAP	1	
- 167	2616-71331		CORD, high tension	1	
- 168	2616-71410		CORD, primary	1	
- 169	2616-71420		CORD, switch	1	
- 170	2616-71430		CORD, earth	1	
- 171	2850-72110		CAP, spark plug	1	
- 172	1400-72121		SPRING, plug cap	1	
- 173	2850-71320		TUBE, high tension	1	
- 174	3350-15250		BOLT	2	
- 175	0263-30416		SCREW	2	
	1630-73110		SPARK PLUG	1	Champion RCJ-7Y
	2616-75004	2618-75004	STARTER ASSEMBLY	1	Incl. 176 thru 186
- 176	☆ 2616-75104	☆ 2618-75103	STARTER CASE COMPLETE	1	Incl. 176 & 177
- 177			CASE, STARTER	1	☆2616-75104 / ☆2618-75103
- 178	2616-75120		GUIDE, rope	1	
	3350-75213		REEL	1	
	3356-75302		SPIRAL SPRING COMPLETE	1	Incl. 179 & 180
- 179	☆		SPRING, spiral	1	☆3356-75302
- 180	☆		HOLDER, spring	1	☆3356-75302
- 181	3356-75410		ROPE	1	
- 182	3350-75420		KNOB, starter	1	
- 183	3310-75431		WASHER	1	
- 184	3320-75350		WASHER	1	
- 185	1490-32120		SCREW	1	
- 186	2630-82550		SCREW	2	
- 187	2622-75131	2623-75131	LABEL	1	
- 188	3356-75612	3366-75612	COVER, fan	1	
- 189	848C9075Z1		SCREW	1	
- 190	2616-75720		SCREW	3	
- 191	2626-81000	2627-81001	CARBURETOR ASSEMBLY	1	Ref. Fig.3
- 192	2618-14131		GASKET, carburetor	1	K1
- 193	3356-82114		MANIFOLD	1	
- 194	3356-82210		BOLT	2	
- 195	01601-20513		WASHER	2	
- 196	01641-20508		WASHER	2	
- 197	2616-82310		ROD, choke	1	
- 198	3356-82321		GUIDE, adjuster	1	
- 199	2616-82410		ROD, throttle	1	
- 200	3356-83104		AIR CLEANER COMPLETE	1	Felt type
- 201	3356-98200		AIR CLEANER COMPLETE	1	OP Nylon net type
- 202	2627-83201		SILENCER COMPLETE	1	
	2622-83302		CLEANER COVER COMPLETE	1	Incl. 203 thru 205
- 203	☆		COVER, air cleaner	1	☆2622-83302
- 204	3356-83322		KNOB	1	
- 205	3388-83340		GASKET, knob	1	
- 206	2626-83350	2611-83350	LABEL	1	
- 207	2610-83220		CAP, silencer	1	

Fig.3

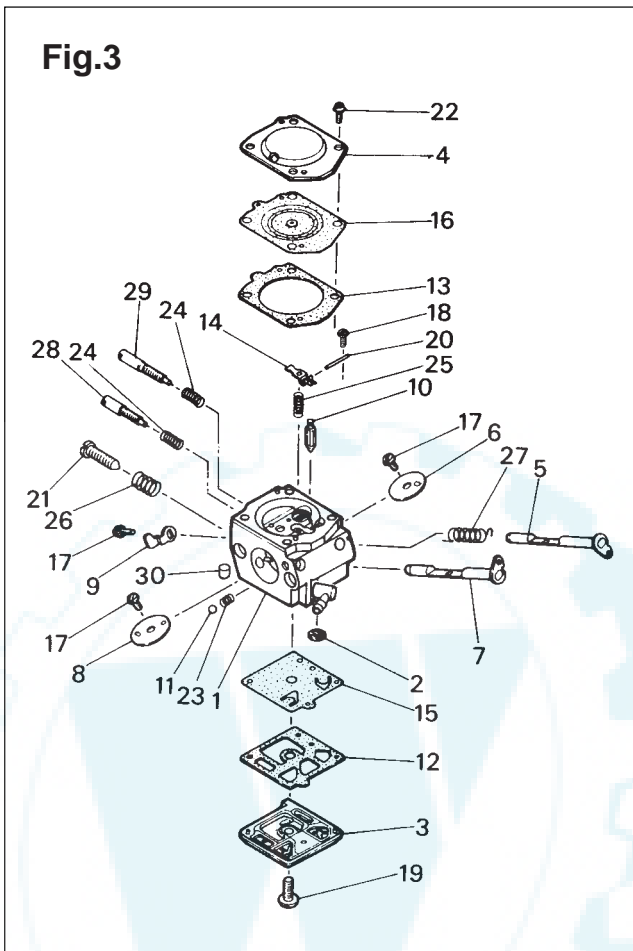


Fig.4

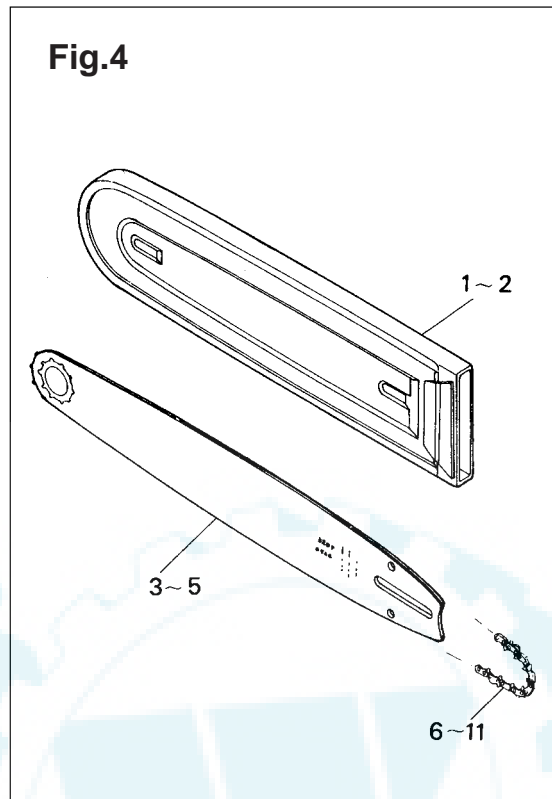


Fig.5

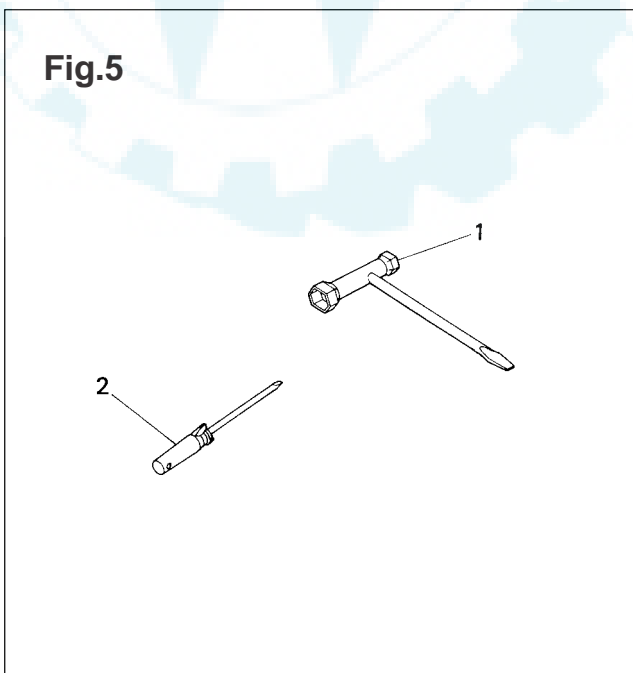


Fig.6

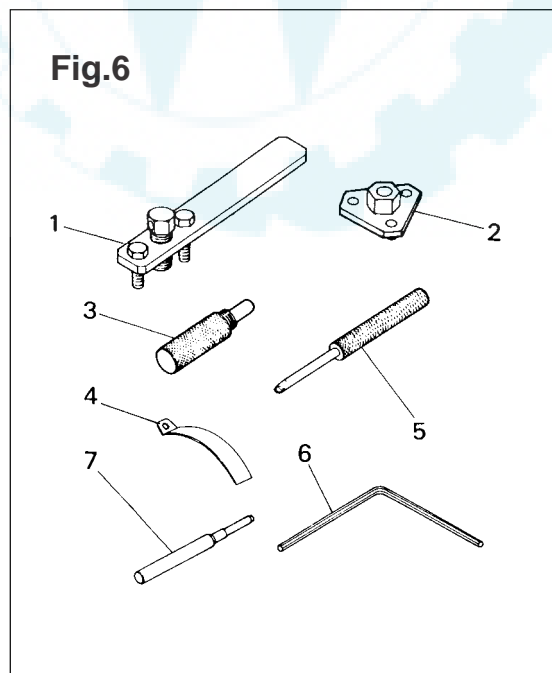


Fig.3 Fig.4 Fig.5

Key No.	Part Number		Description	Q'ty /Unit	Remarks	
	G561	G621				
3 – 1	2626-81000 ☆	2627-81001 ☆	CARBURETOR ASSEMBLY	1	HDA-42B	HDA-92
– 2	3306-81380		BODY ASSEMBLY	1	☆2616-81002	2618-81005
– 3	3350-81130		SCREEN, inlet	1		
– 4	3350-81140		COVER, pump	1		
– 5	3350-81140		COVER, diaphragm	1		
– 6	3388-81150	3366-81151	SHAFT ASSEMBLY, throttle	1		
– 7	3356-81340	3366-81340	VALVE, throttle	1		
– 8	3356-81171		SHAFT ASSEMBLY, choke	1		
– 9	2616-81180		VALVE, choke	1		
– 10	3350-81190		STOP, throttle	1		
– 11	3356-81310		VALVE, inlet	1		
– 12	3350-81220		BALL, friction	1		
– 13	3350-81230		GASKET, pump	1	K2	
– 14	3350-81240		GASKET, diaphragm	1	K2	
– 15	3350-81250		LEVER, metering	1		
– 16	3350-81260		DIAPHRAGM, pump	1	K3	
– 17	3350-81270		DIAPHRAGM ASSEMBLY	1	K3	
– 18	3310-81360		SCREW, valve	3		
– 19	3310-81240		SCREW, metering lever	1		
– 20	3310-81130	1491-81130	SCREW, pump cover	1		
– 21	3310-81250		PIN, metering lever	1		
– 22	2630-81330	2670-81430	SCREW, idle speed	1		
– 23	3310-81351		SCREW ASSEMBLY	4		
– 24	3350-81350		SPRING, friction	1		
– 25	1491-81161		SPRING, needle adjust	2		
– 26	3350-81370		SPRING, metering lever	1		
– 27	3350-81380		SPRING, idle speed	1		
– 28	3350-81391		SPRING, throttle return	1		
– 29	3366-81410	2618-81410	NEEDLE, high speed	1		
– 30	2610-81420		NEEDLE, idle	1		
– 31	3356-81430		PLUG, friction	1		
4 – 1	3356-97110		PROTECTOR, guide bar	1	OP for 16"~18" bar	
– 2	3665-97110		PROTECTOR, guide bar	1	OP for 20"~24" bar	
– 3	3663-52113	3670-52112	BAR 16", sprocket nose	1	OP 325P	3/8P
– 4	3664-52113	3673-52113	BAR 18", sprocket nose	1	OP 325P	3/8P
– 5	3665-52112	3674-52113	BAR 20", sprocket nose	1	OP 325P	3/8P
– 6	_____	3670-52220	CHAIN, for 16" bar	1	OP 73LG-60E	
– 7	_____	3673-52220	CHAIN, for 18" bar	1	OP 73LG-66E	
– 8	_____	3674-52220	CHAIN, for 20" bar	1	OP 73LG-72E	
– 9	3663-52210	_____	CHAIN, for 16" bar	1	OP 21BP-68E	
– 10	3664-52210	_____	CHAIN, for 18" bar	1	OP 21BP-74E	
– 11	3665-52210	_____	CHAIN, for 20" bar	1	OP 21BP-81E	
5 – 1	3320-91140		PLUG WRENCH	1		
– 2	2670-91150		SCREWDRIVER	1		

Fig.6

Key No.	Part Number		Description	Q'ty /Unit	Remarks
	G561	G621			
6 – 1 – 2 – 3 – 4 – 5 – 6 – 7	2616-96000		SPECIAL TOOL KIT	1	OP Incl. 1 thru 7
	2890-96100		PULLER ASSEMBLY. rotor	1	OP
	2616-96210		WRENCH, clutch	1	OP
	3350-96220		STOPPER, piston	1	OP
	3350-96240		GAUGE, air gap	1	OP
	3350-96510		GUIDE, brake spring	1	OP
	3330-97210		WRENCH	1	OP
	3356-96230		GUIDE, piston pin	1	OP
K1	2616-06010	2618-06010	GASKET KIT	1	OP for ENGINE
K2	3350-06020		GASKET KIT	1	OP for CARBURETOR
K3	3350-06030		DIAPHRAGM KIT	1	OP for CARBURETOR
K4	2622-06053	2623-06054	SHORT BLOCK	1	OP
K6	_____	2623-06012	DOUBLE SPIKE KIT	1	OP

www.ersatzteil-service.de

www.ersatzteilplan.de



Ihr Ersatzteilspezialist im Internet

www.ersatzteil-service.de

www.ersatzteilplan.de



ZENOAH
KOMATSU

KOMATSU ZENOAH CO.

1-9 Minamidai, Kawagoe, Saitama, 350-1192 Japan

PRINTED ON RECYCLED PAPER
IMPRIMÉ SUR PAPIER RECYCLÉ
GEDRUCKT AUF RECYCLING PAPIER
STAMPATO SU CARTA RICICLATA
IMPRESO EN PAPEL RECICLADO

Ihr Ersatzteilspezialist im Internet