



SERVICE PARTS LIST

EFFECTIVE: JUNE 1997

CHAINSAW

G310TS

SERIAL NUMBERS APPLICABLE:

0327030001 and up

CONTENTS:

Fig. 1 POWER UNIT

Fig. 2 CARBURETOR COMPONENTS & ACCESSORIES

Fig. 1 POWER UNIT

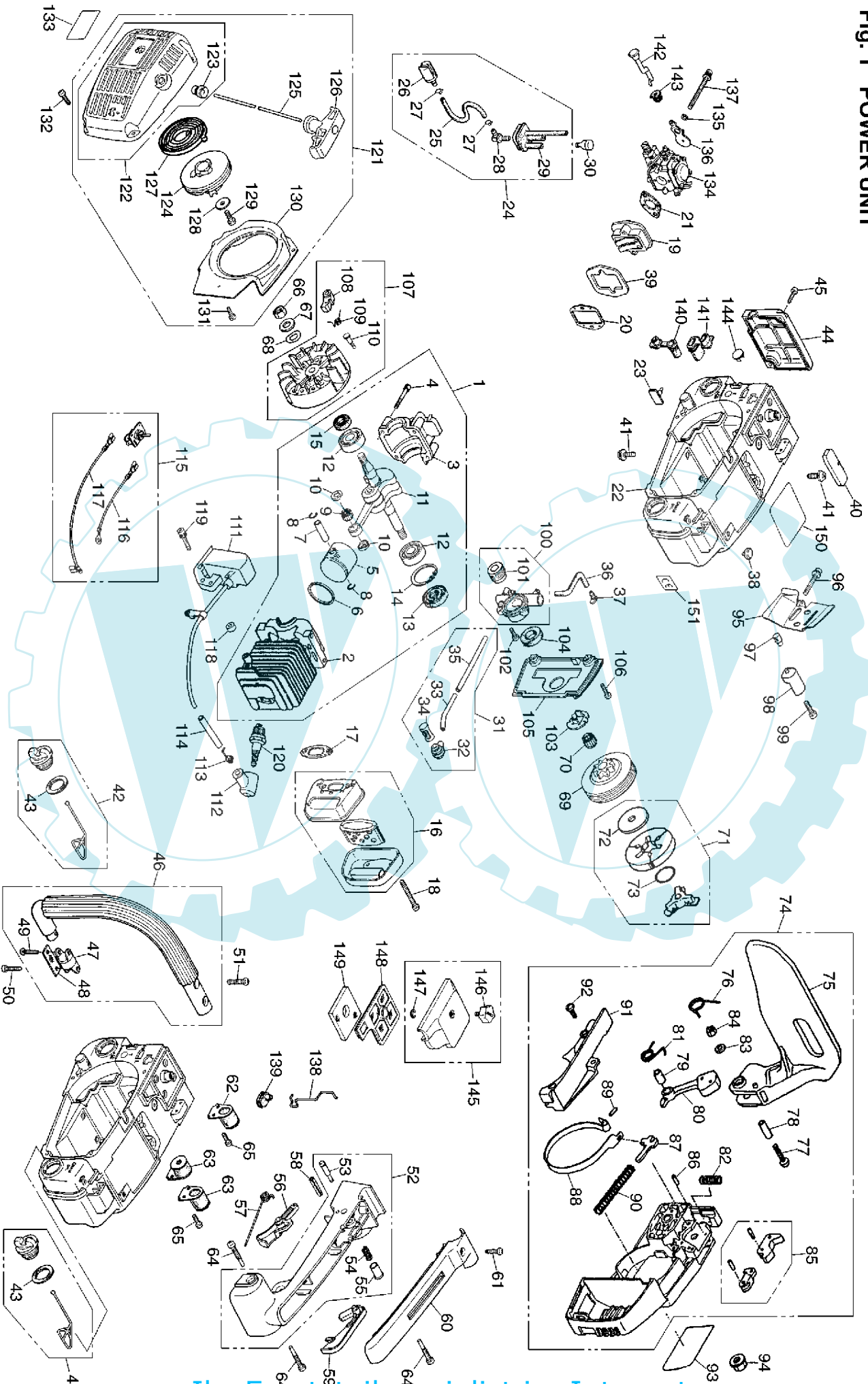


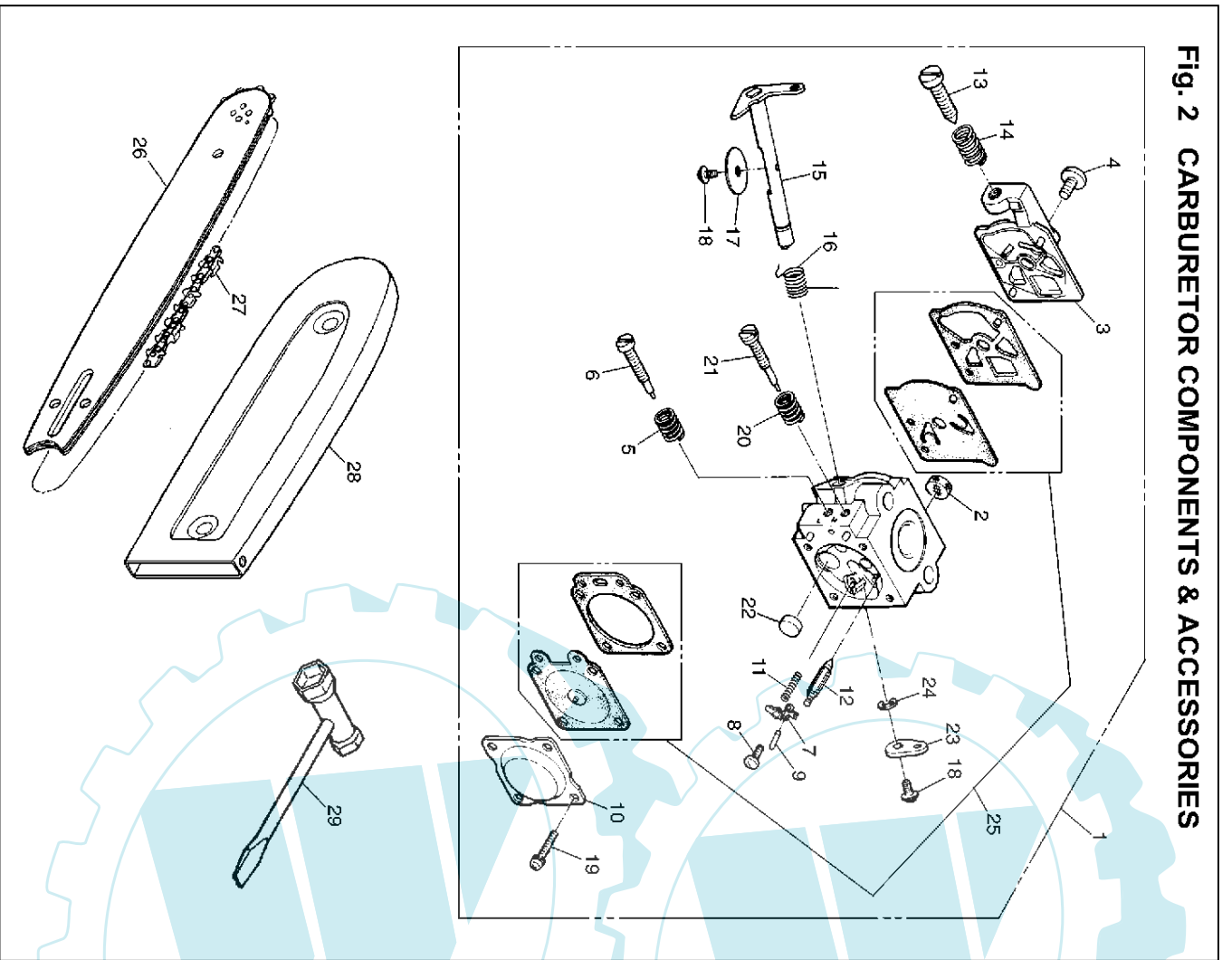
Fig. 1 POWER UNIT

Key#	PART NUMBER	DESCRIPTION	QTY /UNIT	NOTE
1	2873-06050	SHORT BLOCK ASSY	1	
2	2870-12111	• CYLINDER	1	
3	2870-21111	• CRANKCASE	1	
4	01252-30530	• BOLT	4	
5	2870-41111	• PISTON	1	
6	3319-41210	• RING	1	
7	3304-41310	• PIN	1	
8	3310-41320	• SNAP RING	2	
9	3310-41410	• BEARING	2	
10	1650-41510	• WASHER	1	
11	2870-42002	• CRANKSHAFT COMP	1	
12	06030-06201	• BEARING	2	
13	2630-43150	• OIL SEAL	1	
14	04065-03212	• SNAP RING	1	
15	2169-21210	• OIL SEAL	1	
16	2870-15101	MUFFLER ASSY	1	
17	2630-15211	GASKET	1	
18	3330-15220	BOLT	2	
19	2870-22102	VALVE ASSY	1	
20	2870-22211	GASKET	1	
21	3330-14121	GASKET	1	
22	2873-31100	ENGINE CASE COMP	1	
23	2870-31510	VALVE	1	
24	2873-31200	FUEL PIPE ASSY	1	
25	1492-85410	• PIPE	1	
26	5500-85400	• FILTER ASSY	1	
27	1260-85460	• CLIP	2	
28	3350-34320	• ELBOW	1	
29	2631-31250	• GROMMET	1	
30	3317-86100	BREATHER ASSY	1	
31	2873-31300	• OIL PIPE ASSY	1	
32	2630-31321	• GROMMET	1	
33	2873-31330	• JOINT	1	
34	2630-31350	• FILTER	1	
35	1492-85410	• PIPE	1	
36	1492-85410	• PIPE	1	
37	3370-31210	• PIN	1	
38	2630-31510	VALVE ASSY	1	
39	2870-22251	SEAL	1	
40	2630-31650	CAP	1	
41	2870-31750	SCREW M5A-16	4	
42	2841-31800	CAP ASSY	2	
43	2630-31820	• GASKET	2	
44	2630-31913	COVER FRONT	1	
45	2630-31950	SCREW	2	
46	2873-32100	FRONT HANDLE ASSY	1	
47	2630-32121	• JOINT(A)	1	
48	2630-32151	• STOPPER	1	
49	2630-32170	• SCREW	1	
50	2630-32170	SCREW	2	
51	2630-32610	SCREW	1	

Key#	PART NUMBER	DESCRIPTION	QTY /UNIT	NOTE
52	2630-33103	REAR HANDLE COMP	1	
53	3330-33250	• STOPPER	1	
54	3310-33262	• SPRING	1	
55	3310-33271	• KNOB	1	
56	2873-33310	THROTTLE LEVER	1	
57	3356-33321	SPRING	1	
58	04025-00524	PIN	1	
59	3356-33351	ARM	1	
60	2630-33410	COVER GRIP	1	
61	2630-31950	SCREW	1	
62	2630-33511	JOINT(B)(HARD)	1	
63	2873-33520	JOINT(C)(SOFT)	2	
64	2640-33530	BOLT	3	
65	2630-33610	SCREW	6	
66	2873-43230	NUT	1	
67	2873-43240	WASHER	1	
68	2873-43250	WASHER	1	
69	2872-51111	CLUTCH DRUM	1	
70	2873-51310	BEARING	1	
71	2870-51200	CLUTCH ASSY	1	
72	2873-98610	• PLATE	1	
73	2870-51230	• SPRING	1	
74	2872-54004	CHAINBRAKE ASSY	1	
75	2872-54112	• GUARD	1	
76	2872-54120	• SPRING	1	
77	00263-80530	• SCREW	1	
78	2872-54140	• SPACER	1	
79	2850-54211	• SPACER	1	
80	2872-54220	• WEIGHT	1	
81	2872-54230	• SPRING	1	
82	2851-54270	• SPRING	1	
83	01641-20510	• WASHER	1	
84	3310-53331	• NUT(B)	1	
85	2851-54301	• LEVER COMP	1	
86	2851-54350	• PIN	1	
87	2670-54410	• ARM	1	
88	2872-54510	• BAND	1	
89	3356-24140	• PIN	1	
90	2870-54610	• SPRING BRAKE	1	
91	2872-54623	• COVER SPRING	1	
92	2630-33610	• SCREW	3	
93	2872-53121	LABEL	1	
94	3350-53410	NUT	1	
95	2870-53310	PLATE(A)	1	
96	2630-53330	SCREW	1	
97	2873-53320	NUT(A)	1	
98	2630-53412	CATCHER	1	
99	2630-32170	SCREW	1	
100	2630-55102	OIL PUMP ASSY	1	
101	2630-55160	• GEAR WORM	2	
102	00261-00416	SCREW	1	

Key#	PART NUMBER	DESCRIPTION	QTY /UNIT	NOTE
103	2630-55211	PLATE WORM	1	
104	2630-55251	SEAL	1	
105	2630-55312	COVER PUMP	1	
106	2630-31950	SCREW	1	
107	2873-71100	ROTOR ASSY	1	
108	2873-71120	• PAWL	2	
109	2873-71130	• SPRING	2	
110	2873-71140	• PIN	2	
111	2634-71110	MODULE	1	
112	1900-72111	CAP	1	
113	1900-72120	SPRING	1	
114	2630-72211	TUBE	1	
115	2634-06711	SWITCH SET	1	
116	2634-71120	• CORD EARTH	1	
117	2630-72610	• WIRE SWITCH	1	
118	5500-72150	SPACER	2	
119	3310-72150	BOLT	2	
120	1216-73110	SPARK PLUG	1	
121	2873-75000	STARTER ASSY	1	
122	2873-75100	• CASE COMP	1	
123	3330-75121	• GUIDE	1	
124	2873-75210	• REEL	1	
125	2873-75150	• ROPE	1	
126	3330-75421	• KNOB	1	
127	2873-75220	• SPRING	1	
128	2873-75410	• WASHER	1	
129	2873-75510	• SCREW	1	
130	2873-75610	• COVER FAN	1	
131	2630-33610	• SCREW	1	
132	2630-31950	SCREW	4	
133	2872-75131	LABEL	1	
134	2872-81001	CARBURETOR ASSY	1	
135	3310-82110	WASHER	1	
136	2630-82121	CHOKE PLATE	1	
137	2630-82140	SCREW	2	
138	2630-82151	THROTTLE ROD	1	
139	2630-82160	GROMMET	1	
140	2630-82210	GROMMET(A)	1	
141	2630-82220	GROMMET(B)	1	
142	2630-82311	CHOKE ROD	1	
143	3320-33310	GROMMET	1	
144	2851-33510	CAP	1	
145	2630-98500	COVER ASSY	1	
146	2630-83120	• KNOB	1	
147	00308-00040	• SNAP RING	1	
148	2630-83511	CLEANER	1	
149	2870-83610	ELEMENT	1	
150	2873-31410	LABEL	1	
151	2873-31420	LABEL(CE)	1	

Fig. 2 CARBURETOR COMPONENTS & ACCESSORIES



Key#	PART NUMBER	DESCRIPTION	QTY /UNIT	NOTE
1	2872-81001	CARBURETOR ASSY	1	
2	3306-81380	• SCREEN	1	
3	2630-81120	• PUMP COVER	1	
4	3310-81130	• SCREW	1	
5	1491-81160	• SPRING	1	
6	2630-81170	• IDLE NEEDLE	1	
7	3310-81230	• METERING LEVER	1	
8	3310-81240	• SCREW	1	
9	3310-81250	• PIN	1	
10	3310-81280	• COVER	1	
11	1262-81270	• SPRING	1	
12	3310-81311	• NEEDLE VALVE	1	
13	2630-81330	• SCREW	1	
14	3350-81380	• SPRING	1	
15	1790-81370	• SHAFT ASSY	1	
16	2670-81410	• SPRING	1	
17	3310-81341	• THROTTLE VALVE	1	
18	3310-81360	• SCREW	2	
19	3310-81351	• SCREW	4	
20	3080-81320	• SPRING	1	
21	2870-81330	• HIGH SPEED NEEDLE	1	
22	1480-81420	• PLUG	1	
23	2630-81440	• LEVER	1	
24	1148-81390	• RING	1	
25	2850-06020	GASKET/DIAPHRAGM KIT	1	
26	3606-52113	BAR12"	1	
26	3607-52112	BAR14"	1	
27	3602-52210	CHAIN 9TSG-52E	1	
27	3606-52210	CHAIN 9TVG-52E	1	
28	2873-97110	PROTECTOR	1	
29	2873-91140	WRENCH	1	

ZENOAH
KOMATSU

KOMATSU ZENOAH CO.
2-142-1 Sakuragaoka, Higashiyama, Tokyo, 207 Japan

PRINTED IN JAPAN

PRINTED ON RECYCLED PAPER
IMPRIME SUR PAPIER RECYCLE
GEDRUCKT AUF RECYCLING PAPER
STAMPATO SU CARTA RICICLATA
IMPRESO EN PAPEL RECICLADO