

PARTS LIST

RECIPROCATORS

SGCZ2600DL
SGCZ2600DW

NOTE :

1. Use KOMATSU ZENOAH genuine parts as specified in the parts list for repair and/or replacement.
2. KOMATSU ZENOAH does not warrant the machines, which have been damaged by the use of any parts other than those specified by the company.
3. When placing parts orders for repair and/or replacement, check if the model name and the serial number are applicable to those specified in the parts list, then use parts number described in the parts list.
4. The contents described in the parts list are accurate as of the date and may change due to improvement.
5. The parts for the machine shall be supplied ten (10) years after the machine is discontinued. [It is possible that some specific parts may be subject to change of their delivery term and list price within the limit of ten (10) years after the machine is discontinued. It is also possible that some parts may be available even after the limit of ten (10) years.]

APPLICABLE SERIAL NUMBERS:

SGCZ2600DL : 000101 and up
SGCZ2600DW: 50100101 and up

Dec. 2004

SGCZ2600DL

Fig.1 DRIVE UNIT

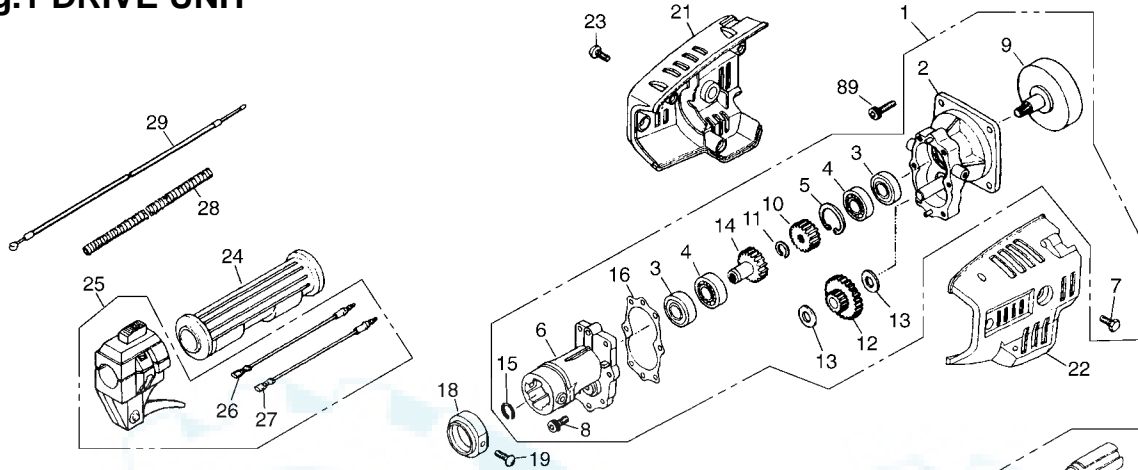


Fig.2 CASE UNIT

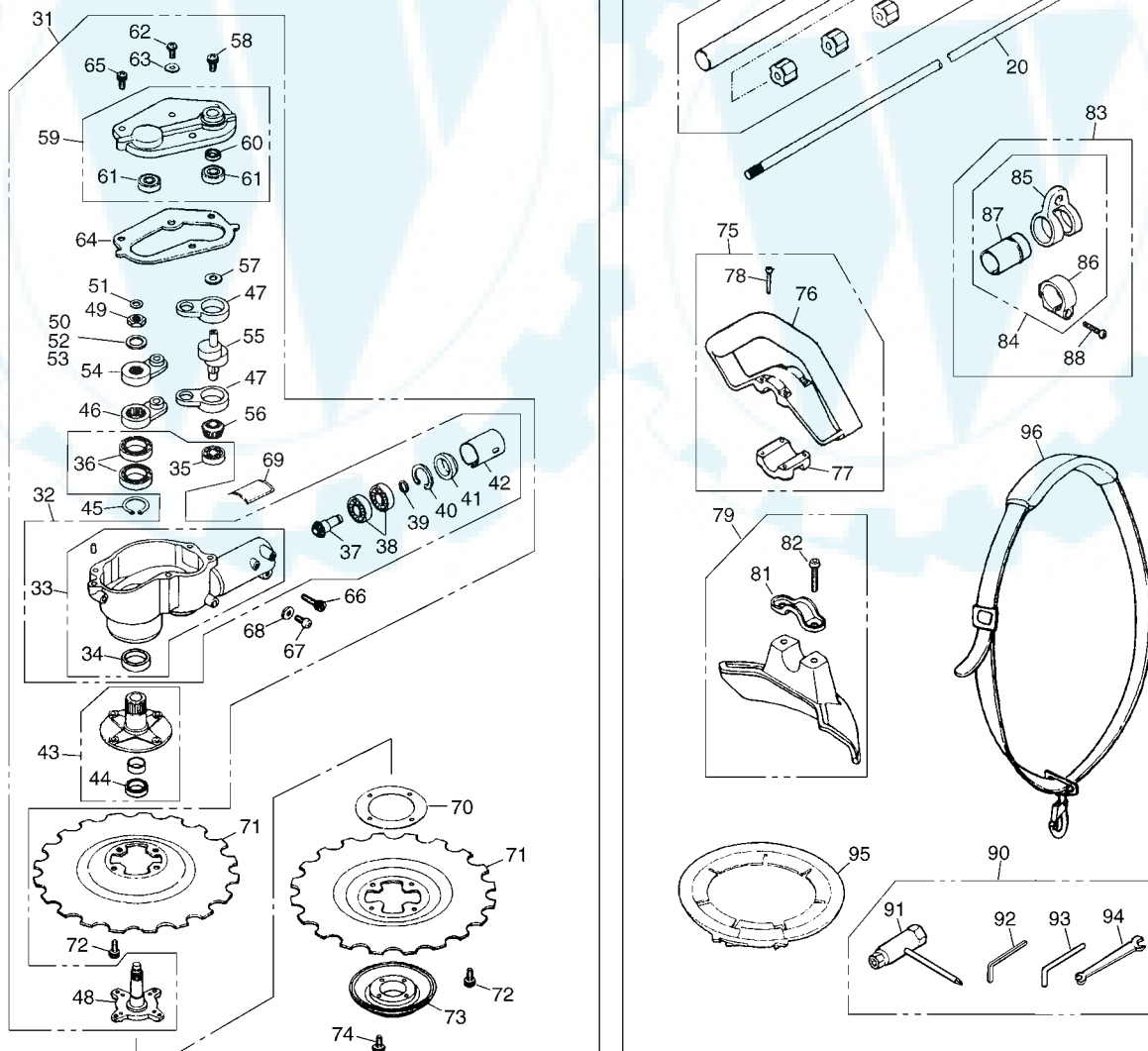


Fig.1 DRIVE UNIT

Key#	PART NUMBER	DESCRIPTION	Q'TY /UNIT	NOTE	Key#	PART NUMBER	DESCRIPTION	Q'TY /UNIT	NOTE
1	T3065-11000	MISSION ASSY	1		76	6420-14311	• HANDLE	1	
2	3805-11102	• CASE COMP, rear	1		77	6420-14320	• CLAMP	1	
3	06002-06001	• BEARING	2		78	0263-90535	• SCREW	4	
4	06000-06001	• BEARING	2		79	3565-24001	GUARD ASSY	1	
5	04065-02812	• RING	1		81	3520-24120	• CLAMP	1	
6	3805-11211	• CASE, front	1		82	3540-24130	• BOLT	2	
7	0225-00608	• BOLT	2		83	6420-17300	HANGER ASSY	1	
8	01252-30520	• BOLT	6		84	6420-17400	• HANGER COMP.	1	
9	3805-11310	• DRUM	1		85	9366-17110	•• HANGER	1	
10	3805-11320	• GEAR, pinion	1		86	9366-17120	•• CLAMP	1	
11	3180-13330	• RING	1		87	6420-17410	•• SLEEVE	1	
12	3805-11331	• GEAR, idler	1		88	0263-90525	• SCREW	1	
13	2850-55211	• WASHER	2		89	6468-91150	BOLT	4	
14	3805-11360	• GEAR, wheel	1		90	T1500-91000	TOOL SET	1	
15	3130-13270	• RING	1		91	T3002-91310	• SOKET	1	
16	3805-11412	• GASKET	1		92	09007-00425	• WRENCH	1	
17	3805-12101	PIPE COMP.	1		93	09007-00528	• WRENCH	1	
18	3565-11341	CAP	1		94	3540-91120	• SPANNER	1	
19	0263-90510	SCREW	2		95	6251-15910	COVER	1	
20	3805-12210	SHAFT	1		96	T3300-17100	STRAP ASSY	1	
21	3805-11511	COVER, right	1						
22	3805-11521	COVER, left	1						
23	2200-76210	SCREW	3						
24	3577-32141	GRIP	1						
25	T3065-12201	LEVER COMP.	1						
26	T3002-12220	• CORD(A), black	1						
27	T3002-12230	• CORD(B), red	1						
28	T3002-12240	TUBE	1						
29	T3065-83100	CABLE COMP.	1						
30	T3100-12510	PLATE, name	1						
31	6425-12552	LABEL	1						
75	6420-14100	HANDLE ASSY	1						

Fig.2 CASE UNIT

Key#	PART NUMBER	DESCRIPTION	Q'TY /UNIT	NOTE	Key#	PART NUMBER	DESCRIPTION	Q'TY /UNIT	NOTE
31	T3100-98000	CASE ASSY	1		57	01641-20812	• WASHER	1	
32	3974-98102	• CASE COMP, cutter	1		58	3805-13750	• BOLT	1	
33	3974-13102	•• CASE COMP, cutter	1		59	T3065-13800	• COVER COMP.	1	
34	3805-13130	••• SEAL	1		60	3805-13840	•• SEAL	1	
35	06000-00608	•• BEARING	1		61	06000-00608	•• BEARING	2	
36	06000-06804	•• BEARING	2		62	0263-00610	• SCREW	1	
37	3805-13930	•• PINION	1		63	01642-20608	• WASHER	1	
38	06000-06000	•• BEARING	2		64	3805-13910	• GASKET	1	
39	3180-13330	•• RING	1		65	01252-40520	• BOLT	3	
40	04065-02612	•• RING	1		66	3540-13260	• BOLT	1	
41	3805-13940	•• PACKING	1		67	0263-60514	• SCREW	1	
42	3805-13951	•• SPACER	1		68	01642-20508	• WASHER	1	
43	3805-13200	• SHAFT COMP.	1		69	3975-13990	• LABEL	1	
44	3805-13230	•• SEAL	1		70	3805-13590	SHIM	1	
45	04064-02012	• RING	1		71	3974-95110	BLADE	2	
46	3805-13412	• ARM, lower	1		72	01252-40608	BOLT	8	
47	3805-13432	• CONROD	2		73	3805-15140	STABILIZER	1	
48	3805-13510	• SHAFT, inner	1		74	0263-30508	SCREW	4	
49	3805-13520	• NUT	1						
50	3805-13550	• SHIM, 0.3t	0~1						
51	3805-13560	• SHIM	1						
52	3805-13570	• SHIM, 0.2t	0~1						
53	3805-13580	• SHIM, 0.1t	0~1						
54	3805-13612	• ARM, upper	1						
55	3805-13711	• CRANKSHAFT	1						
56	3805-13720	• GEAR	1						

SGCZ2600DW

Fig.3 DRIVE UNIT

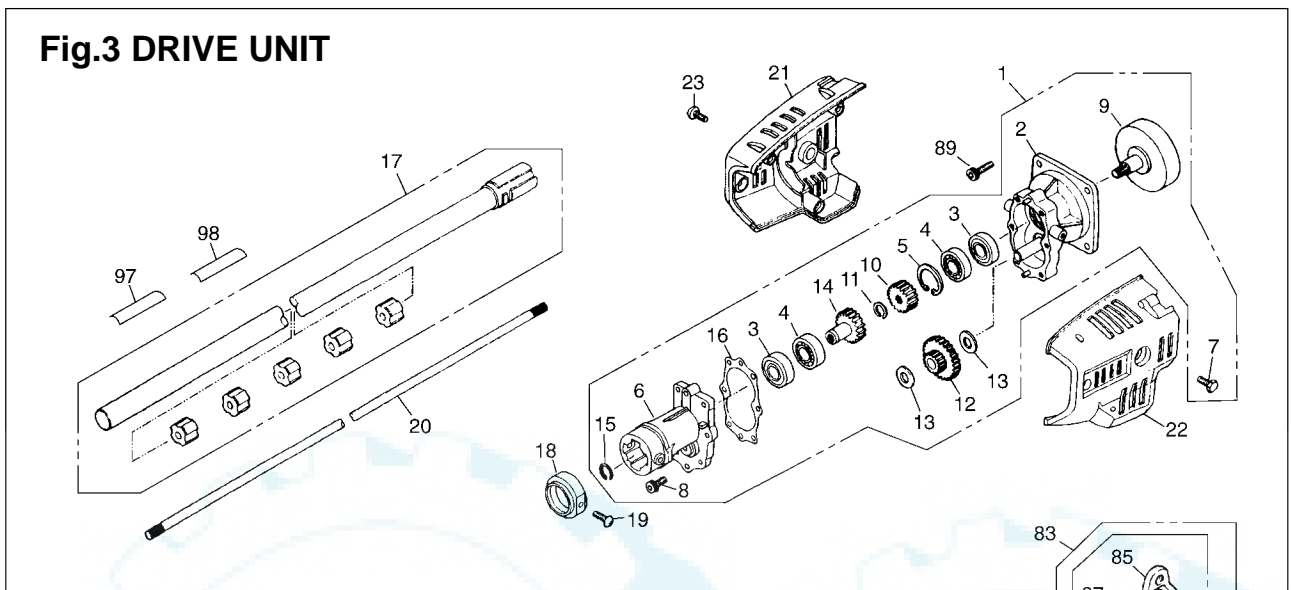


Fig.4 CASE UNIT

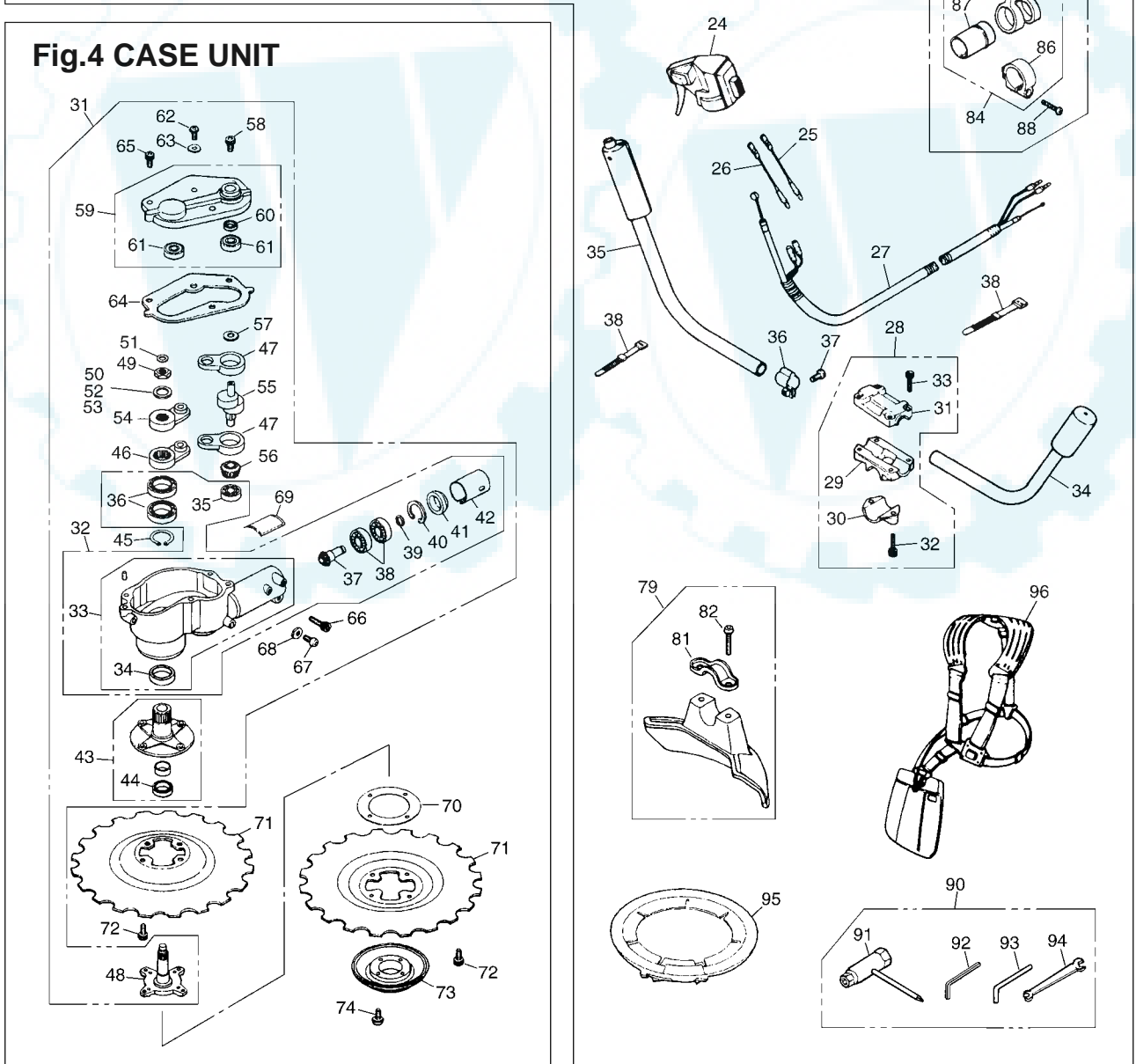


Fig.3 DRIVE UNIT

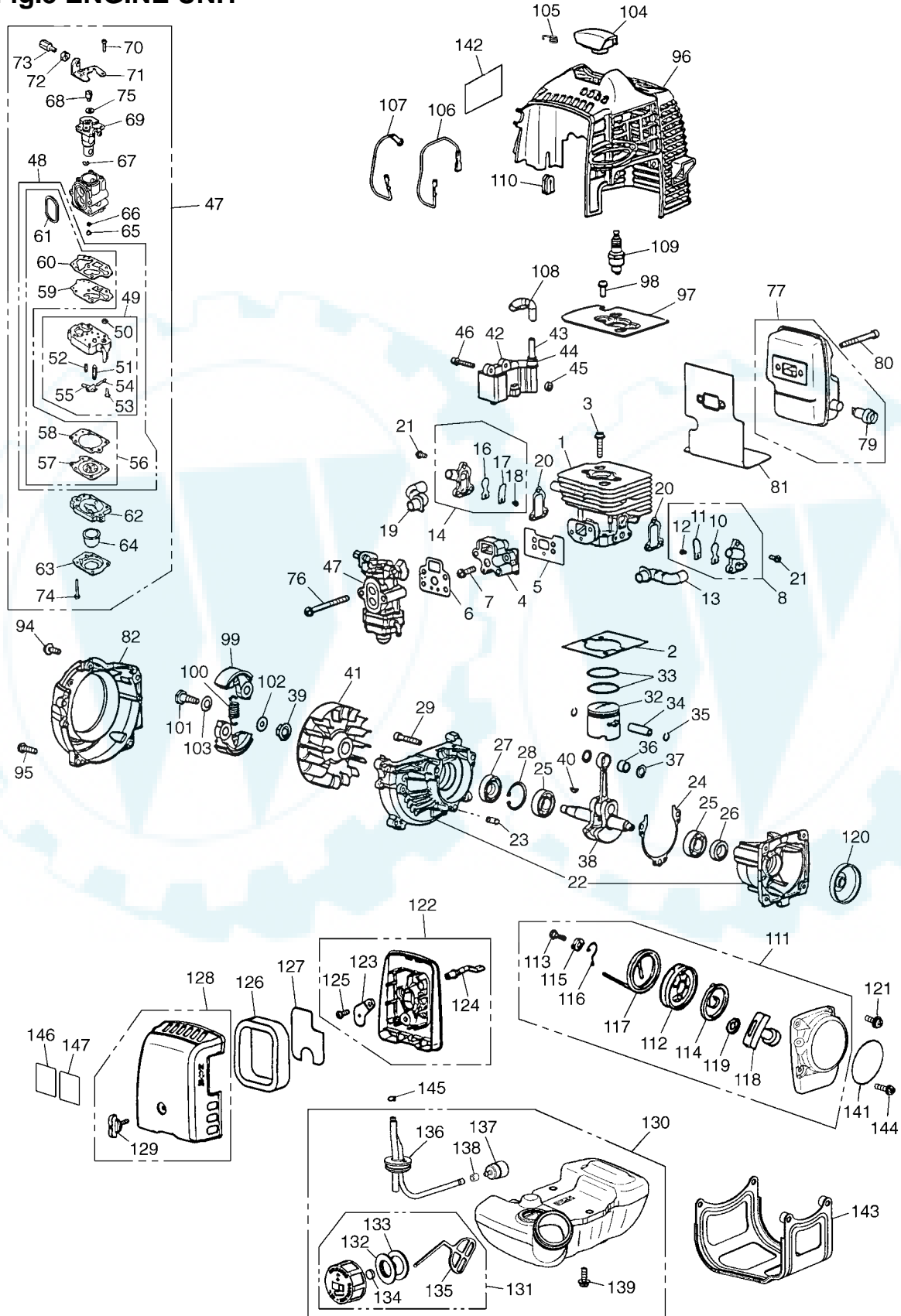
Key#	PART NUMBER	DESCRIPTION	Q'TY /UNIT	NOTE	Key#	PART NUMBER	DESCRIPTION	Q'TY /UNIT	NOTE
1	T3065-11000	MISSION ASSY	1		34	848JA33220	HANDLE COMP., left	1	
2	3805-11102	•CASE COMP, rear	1		35	6242-14400	HANDLE COMP., right	1	
3	06002-06001	•BEARING	2		36	3260-14251	CLAMP	1	
4	06000-06001	•BEARING	2		37	0260-00516	SCREW	1	
5	04065-02812	•RING	1		38	3540-93120	BAND	2	
6	3805-11211	•CASE, front	1		79	3565-24001	GUARD ASSY	1	
7	0225-00608	•BOLT	2		81	3520-24120	•CLAMP	1	
8	01252-30520	•BOLT	6		82	3540-24130	•BOLT	2	
9	3805-11310	•DRUM	1		83	6420-17300	HANGER ASSY	1	
10	3805-11320	•GEAR, pinion	1		84	6420-17400	•HANGER COMP.	1	
11	3180-13330	•RING	1		85	9366-17110	•• HANGER	1	
12	3805-11331	•GEAR, idler	1		86	9366-17120	•• CLAMP	1	
13	2850-55211	•WASHER	2		87	6420-17410	•• SLEEVE	1	
14	3805-11360	•GEAR, wheel	1		88	0263-90525	•SCREW	1	
15	3130-13270	•RING	1		89	6468-91150	BOLT	4	
16	3805-11412	•GASKET	1		90	T1500-91000	TOOL SET	1	
17	3805-12101	PIPE COMP.	1		91	T3002-91310	•SOKET	1	
18	3565-11341	CAP	1		92	09007-00425	•WRENCH	1	
19	0263-90510	SCREW	2		93	09007-00528	•WRENCH	1	
20	3805-12210	SHAFT	1		94	3540-91120	•SPANNER	1	
21	3805-11511	COVER, right	1		95	6251-15910	COVER	1	
22	3805-11521	COVER, left	1		96	6220-17202	HARNES ASSY	1	
23	2200-76210	SCREW	3		97	6425-12552	LABEL	1	
24	6234-14601	LEVER ASSY	1		98	848JN090R0	PLATE, name	1	
25	3976-14710	CORD (A), red	1						
26	3976-14720	CORD (B), black	1						
27	848JN03390	CABLE COMP.	1						
28	3583-14101	BRACKET ASSY	1						
29	3583-14111	•BRACKET	1						
30	3583-14121	•CAP, lower	1						
31	3257-14192	•CAP, upper	1						
32	01252-30522	•BOLT	2						
33	01252-30525	•BOLT	4						

Fig.4 CASE UNIT

Key#	PART NUMBER	DESCRIPTION	Q'TY /UNIT	NOTE	Key#	PART NUMBER	DESCRIPTION	Q'TY /UNIT	NOTE
31	T3100-98000	CASE ASSY	1		57	01641-20812	•WASHER	1	
32	3974-98102	•CASE COMP, cutter	1		58	3805-13750	•BOLT	1	
33	3974-13102	••CASE COMP, cutter	1		59	T3065-13800	•COVER COMP.	1	
34	3805-13130	•••SEAL	1		60	3805-13840	••SEAL	1	
35	06000-00608	••BEARING	1		61	06000-00608	••BEARING	2	
36	06000-06804	••BEARING	2		62	0263-00610	•SCREW	1	
37	3805-13930	••PINION	1		63	01642-20608	•WASHER	1	
38	06000-06000	••BEARING	2		64	3805-13910	•GASKET	1	
39	3180-13330	••RING	1		65	01252-40520	•BOLT	3	
40	04065-02612	••RING	1		66	3540-13260	•BOLT	1	
41	3805-13940	••PACKING	1		67	0263-60514	•SCREW	1	
42	3805-13951	••SPACER	1		68	01642-20508	•WASHER	1	
43	3805-13200	•SHAFT COMP.	1		69	3975-13990	•LABEL	1	
44	3805-13230	••SEAL	1		70	3805-13590	SHIM	1	
45	04064-02012	•RING	1		71	3974-95110	BLADE	2	
46	3805-13412	•ARM, lower	1		72	01252-40608	BOLT	8	
47	3805-13432	•CONROD	2		73	3805-15140	STABILIZER	1	
48	3805-13510	•SHAFT, inner	1		74	0263-30508	SCREW	4	
49	3805-13520	•NUT	1						
50	3805-13550	•SHIM, 0.3t	0~1						
51	3805-13560	•SHIM	1						
52	3805-13570	•SHIM, 0.2t	0~1						
53	3805-13580	•SHIM, 0.1t	0~1						
54	3805-13612	•ARM, upper	1						
55	3805-13711	•CRANKSHAFT	1						
56	3805-13720	•GEAR	1						

SGCZ2600DL/SGCZ2600DW

Fig.5 ENGINE UNIT



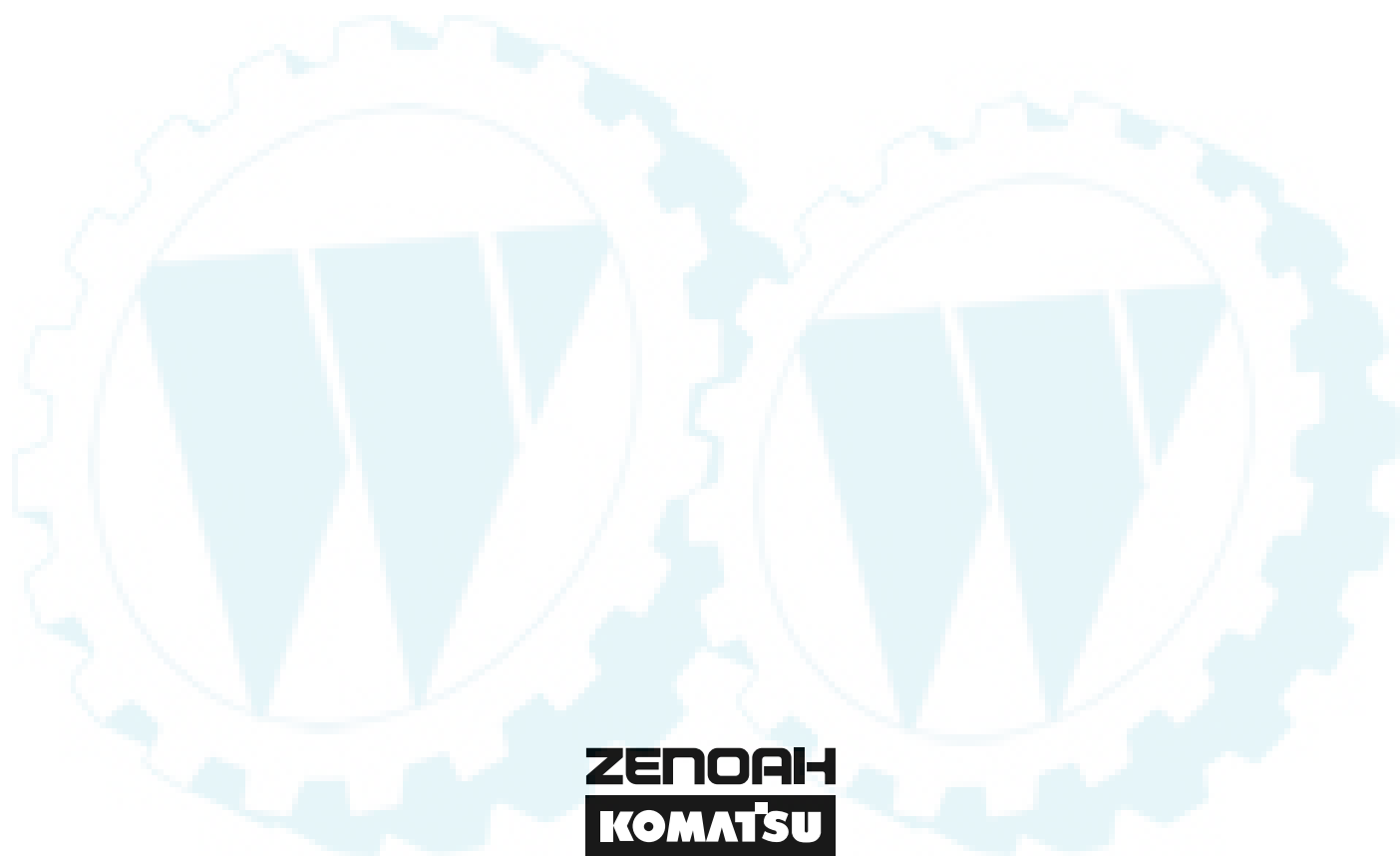
SGCZ2600DL/SGCZ2600DW

Fig.5 ENGINE UNIT

Key#	PART NUMBER	DESCRIPTION	Q'TY /UNIT	NOTE	Key#	PART NUMBER	DESCRIPTION	Q'TY /UNIT	NOTE
1	848F3012A2	CYLINDER	1		70	1752-81110	• SCREW	2	
2	4810-12210	GASKET, base	1		71	5500-81120	• BRACKET	1	
3	1850-12130	BOLT	2	M5x22	72	1751-81180	• NUT, adjuster	1	
4	4810-13162	INSULATOR	1		73	1918-81170	• SCREW, adjuster	1	
5	4810-13120	GASKET, insulator	1		74	1850-81530	• SCREW	4	
6	4810-13130	GASKET, carburetor	1		75	5500-81160	• WASHER	1	
7	0263-90520	SCREW	2	M5x20	76	0263-90560	SCREW	2	M5x60
8	848F301602	REEDVALVE (S) ASSY	1		77	4810-15100	MUFFLER ASSY	1	
10	4810-16120	• REEDVALVE	1		79	4810-15140	• ARRESTER	1	
11	4810-16130	• STOPPER	1		80	01252-30550	BOLT	2	M5x50
12	4810-16170	• SCREW	1	M3x8	81	T1501-15211	GASKET	1	
13	4810-16150	PIRE AIR (S)	1		82	T1500-31110	COVER ASSY	1	
14	848F301612	REEDVALVE (F) ASSY	1		94	5500-85510	SCREW	1	M5x16
16	4810-16120	• REEDVALVE	1		95	0263-90520	SCREW	4	M5x20
17	4810-16130	• STOPPER	1		96	4810-32111	COVER, engine	1	
18	4810-16170	• SCREW	1	M3x8	97	T1501-12310	PLATE	1	
19	4810-16160	PIPE AIR (F)	1		98	0263-90510	SCREW	2	M5x10
20	4810-16140	GASKET, valve	2		99	4820-51110	SHOE	2	
21	4810-16180	SCREW	6		100	4820-51220	SPRING	1	
22	4810-21101	CRANKCASE COMP.	1		101	T1500-51250	SCREW	2	
23	2629-21130	• PIN	3		102	T1500-51230	WASHER	2	
24	4810-21140	GASKET	1		103	1140-51242	WASHER	2	
25	06030-06001	BEARING	2		104	4810-72111	CAP	1	
26	4810-21210	SEAL	1		105	1900-72120	SPRING	1	
27	1850-21220	SEAL	1		106	4810-71240	CORD	1	
28	04065-02812	SNAP RING	1		107	4810-71250	CORD, earth	1	
29	01252-30530	BOLT	3	M5x30	108	T1512-71320	TUBE	1	
32	4810-41110	PISTON	1		109	3699-91667	PLUG	1	CMR7A
33	5910-41210	RING	2		110	4810-72120	GROMMET	1	
34	T1513-41310	PIN	1		111	4810-75100	RECOIL ASSY	1	
35	1260-41320	RING	2		112	4500-75120	• REEL	1	
36	5500-41410	BEARING	1		113	4500-75150	• SCREW	1	
37	1101-41340	WASHER	2		114	1850-75130	• SPRING, spiral	1	
38	4810-42000	CRANKSHAFT COMP.	1		115	4500-75180	• COLLAR	1	
39	1650-43230	NUT	1		116	4500-75190	• ARM	1	
40	1000-43240	KEY	1		117	4810-75160	• ROPE	1	
41	4810-71110	ROTOR	1		118	3330-75421	• KNOB	1	
42	T1501-71200	COIL ASSY	1		119	4810-75170	• PLATE, stopper	1	
43	T1512-71220	• CORD	1		120	4500-75210	PULLEY	1	
44	2616-71320	• CAP	1		121	5500-85510	SCREW	2	M5x16
45	1260-71261	SPACER	2		122	4810-82100	BODY ASSY	1	
46	4500-72150	BOLT	2	M4x22	123	4810-82130	• PLATE, choke	1	
47	848F308103	CARBURETOR ASSY	1		124	5500-82140	• LEVER, choke	1	
48	T1551-06030	• REBUILD KIT	1		125	2630-33610	• SCREW	1	
49	T1551-81450	• BODY ASSY	1		126	4810-82170	ELEMENT	1	
50	_____	••• SCREEN	-		127	4810-82180	SCREEN	1	
51	_____	••• VALVE	-		128	4810-82200	COVER ASSY	1	
52	_____	••• SPRING	-		129	5500-82221	• KNOB	1	
53	_____	••• SCREW	-		130	T1504-85002	TANK ASSY	1	
54	_____	••• PIN	-		131	T1015-85202	• CAP ASSY	1	
55	_____	••• LEVER	-		132	4500-85300	•• HOLDER ASSY	1	
56	4810-06021	•• GASKET KIT	1		133	4500-85220	•• PACKING	1	
57	_____	••• DIAPHRAGM	-		134	5601-85260	•• FILTER	1	
58	_____	••• GASKET, diaphragm	-		135	4820-85260	•• STOPPER	1	
59	_____	••• DIAPHRAGM, pump	-		136	4810-85300	• PIPE COMP.	1	
60	_____	••• GASKET, pump	-		137	3302-85400	• FLTR ASSY	1	
61	4810-81130	••• RING	1		138	2841-31280	• COLLAR	1	
62	1850-81490	• BODY, purge	1		139	5500-85510	SCREW	3	M5x16
63	1850-81520	• COVER, pump	1		141	T1504-75410	LABEL, recoil	-	
64	1751-81510	• PUMP, priming	1		142	T1504-31130	LABEL, cover	1	
65	T1505-81250	• JET	1		143	T1506-31910	GUARD	1	
66	1751-81240	• O-RING	1		144	0263-90525	SCREW	2	
67	1751-81130	• RING	1		145	1950-86120	CLIP	1	
68	1881-81140	• SWIVEL	1		146	2634-31420	LABEL (CE)	1	
69	_____	• VALVE ASSY	-		147	T2990-21040	LABEL (104dB)	1	

www.ersatzteil-service.de

www.ersatzteilplan.de



ZENOAH
KOMATSU

KOMATSU ZENOAH CO.

2-142-1 Sakuragaoka, Higashiyamato, Tokyo, 207-8788 Japan

PRINTED IN JAPAN

Ihr Ersatzteilspezialist im Internet

PRINTED ON RECYCLED PAPER
IMPRIMÉ SUR PAPIER RECYCLÉ
GEDRUCKT AUF RECYCLING PAPIER
STAMPATO SU CARTA RICICLATA
IMPRESO EN PAPEL RECICLADO