



PARTS LIST

RECIPROCATORS

SGCZ2600DL

NOTE :

1. Use KOMATSU ZENOAH genuine parts as specified in the parts list for repair and/or replacement.
2. KOMATSU ZENOAH does not warrant the machines, which have been damaged by the use of any parts other than those specified by the company.
3. When placing parts orders for repair and/or replacement, check if the model name and the serial number are applicable to those specified in the parts list, then use parts number described in the parts list.
4. The contents described in the parts list are accurate as of the date and may change due to improvement.
5. The parts for the machine shall be supplied ten (10) years after the machine is discontinued. [It is possible that some specific parts may be subject to change of their delivery term and list price within the limit of ten (10) years after the machine is discontinued. It is also possible that some parts may be available even after the limit of ten (10) years.]

APPLICABLE SERIAL NUMBERS:

000101 and up

May 2000

SGCZ2600DL

Fig.1 DRIVE UNIT

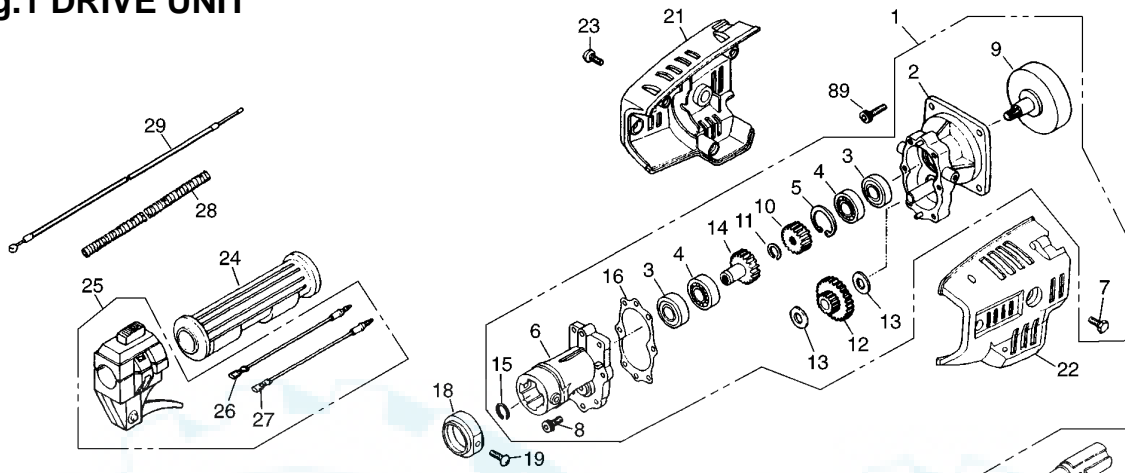
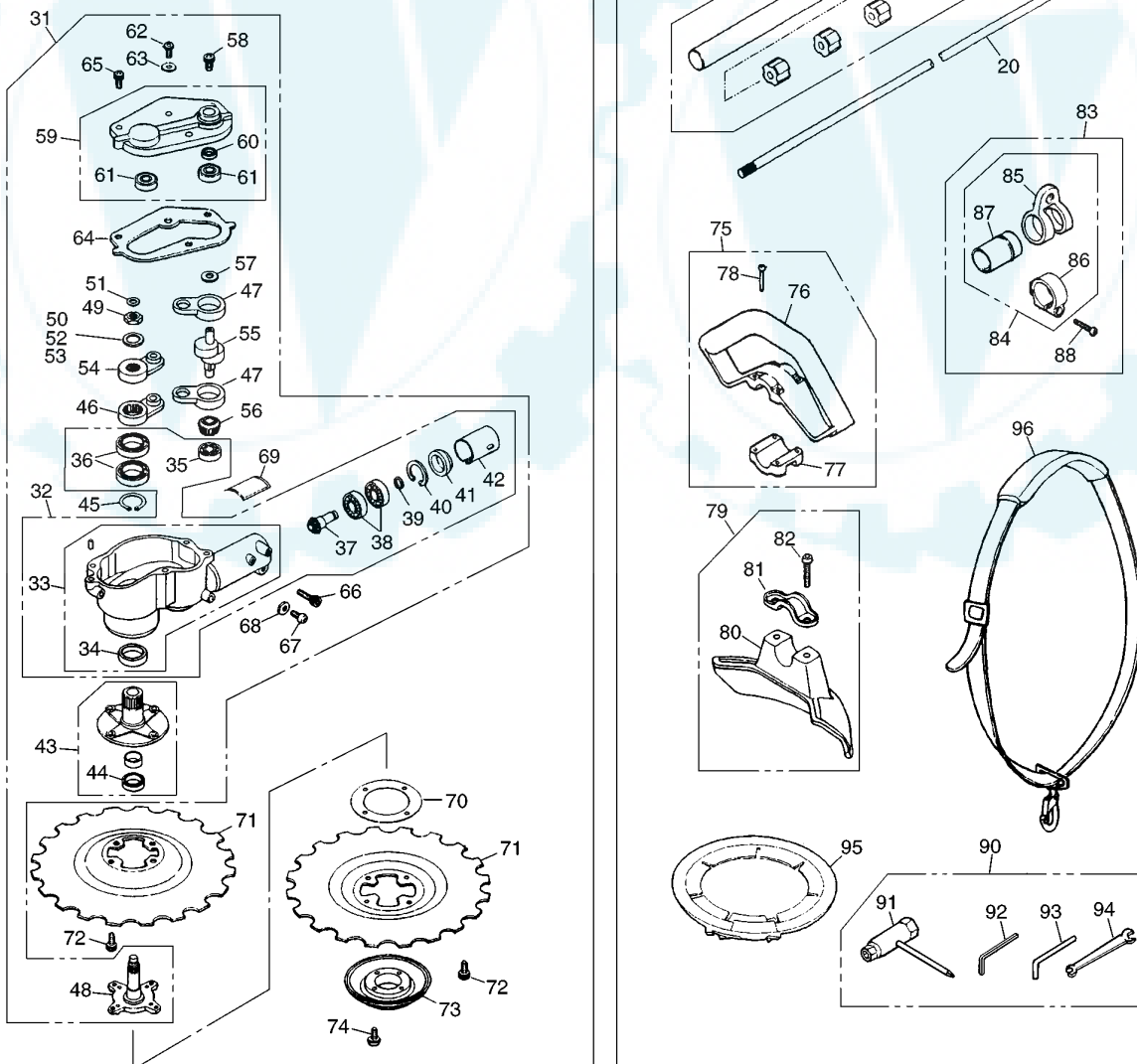


Fig.2 CASE UNIT



SGCZ2600DL

Fig.1 DRIVE UNIT

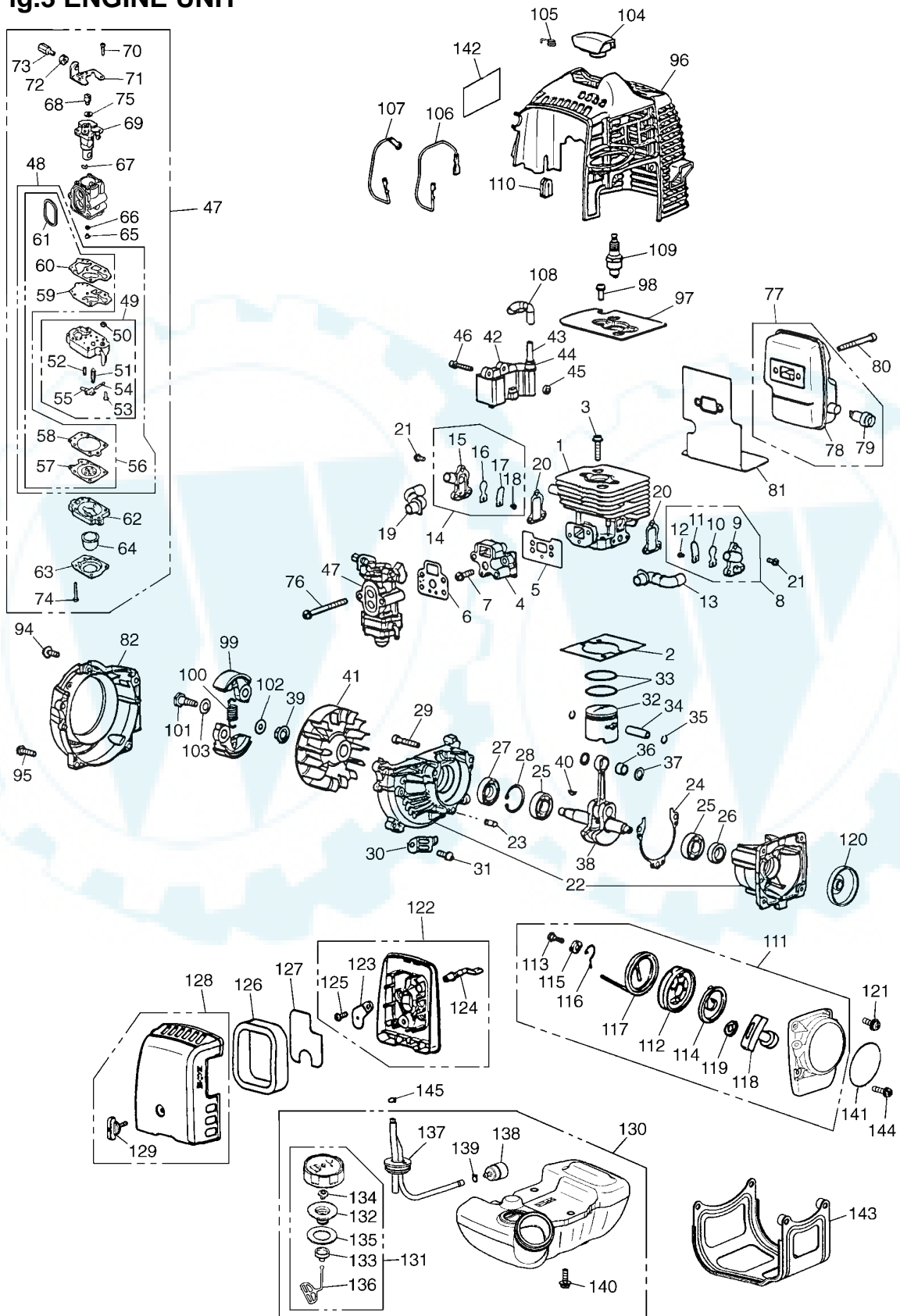
Key#	PART NUMBER	DESCRIPTION	Q'TY /UNIT	NOTE	Key#	PART NUMBER	DESCRIPTION	Q'TY /UNIT	NOTE
1	T3065-11000	MISSION ASS'Y	1		75	6420-14100	HANDLE ASS'Y	1	
2	3805-11102	• CASE COMP, rear	1		76	6420-14311	• HANDLE	1	
3	06002-06001	• BEARING	2		77	6420-14320	• CLAMP	1	
4	06000-06001	• BEARING	2		78	0263-90535	• SCREW	4	
5	04065-02812	• RING	1		79	3565-24001	GUARD ASS'Y	1	
6	3805-11211	• CASE, front	1		80	3565-24111	• GUARD	1	
7	0225-00608	• BOLT	2		81	3520-24120	• CLAMP	1	
8	01252-30520	• BOLT	6		82	3540-24130	• BOLT	2	
9	3805-11310	• DRUM	1		83	6420-17300	HANGER ASS'Y	1	OP
10	3805-11320	• GEAR, pinion	1		84	6420-17400	• HANGER COMP	1	OP
11	3180-13330	• RING	1		85	9366-17110	•• HANGER	1	OP
12	3805-11331	• GEAR, idler	1		86	9366-17120	•• CLAMP	1	OP
13	3805-11370	• WASHER	2		87	6420-17410	•• SLEEVE	1	OP
14	3805-11360	• GEAR, wheel	1		88	0263-90525	• SCREW	1	OP
15	3130-13270	• RING	1		89	6468-91150	BOLT	4	
16	3805-11411	• GASKET	1		90	T1500-91000	TOOL SET	1	
17	3805-12100	PIPE COMP	1		91	T3002-91310	• SOKET	1	
18	3565-11341	CAP	1		92	09007-00425	• WRENCH	1	
19	0263-90510	SCREW	2		93	09007-00528	• WRENCH	1	
20	3805-12210	SHAFT	1		94	3540-91120	• SPANNER	1	
21	3805-11511	COVER, right	1		95	6251-15910	COVER	1	OP
22	3805-11521	COVER, left	1		96	6489-17200	STRAP ASS'Y	1	OP
23	2200-76210	SCREW	3						
24	3577-32141	GRIP	1						
25	T3065-12200	LEVER COMP	1						
26	T3002-12220	• CORD(A), black	1						
27	T3002-12230	• CORD(B), red	1						
28	T3002-12240	TUBE	1						
29	T3002-83100	CABLE COMP	1						
30	T3100-12510	PLATE, name	1						

Fig.2 CASE UNIT

Key#	PART NUMBER	DESCRIPTION	Q'TY /UNIT	NOTE	Key#	PART NUMBER	DESCRIPTION	Q'TY /UNIT	NOTE
31	T3100-98000	CASE ASS'Y	1		57	01641-20812	• WASHER	1	
32	3974-98102	• CASE COMP, cutter	1		58	3805-13750	• BOLT	1	
33	3974-13102	•• CASE COMP, cutter	1		59	T3065-13800	• COVER COMP	1	
34	3805-13130	••• SEAL	1		60	3805-13840	•• SEAL	1	
35	06000-00608	•• BEARING	1		61	06000-00608	•• BEARING	2	
36	06000-06804	•• BEARING	2		62	0263-00610	• SCREW	1	
37	3805-13930	•• PINION	1		63	01642-20608	• WASHER	1	
38	06000-06000	•• BEARING	2		64	3805-13910	• GASKET	1	
39	3180-13330	•• RING	1		65	01252-40520	• BOLT	3	
40	04065-02612	•• RING	1		66	3540-13260	• BOLT	1	
41	3805-13940	•• PACKING	1		67	0263-60514	• SCREW	1	
42	3805-13951	•• SPACER	1		68	01642-20508	• WASHER	1	
43	3805-13200	• SHAFT COMP	1		69	3975-13990	• LABEL	1	
44	3805-13230	•• SEAL	1		70	3805-13590	SHIM	1	
45	04064-02012	• RING	1		71	T3065-15110	BLADE	2	
46	3805-13412	• ARM, lower	1		72	01252-40608	BOLT	8	
47	3805-13432	• CONROD	2		73	3805-15140	STABILIZER	1	
48	3805-13510	• SHAFT, inner	1		74	0263-30508	SCREW	4	
49	3805-13520	• NUT	1						
50	3805-13550	• SHIM, 0.3t	0~1						
51	3805-13560	• SHIM	1						
52	3805-13570	• SHIM, 0.2t	0~1						
53	3805-13580	• SHIM, 0.1t	0~1						
54	3805-13612	• ARM, upper	1						
55	3805-13711	• CRANKSHAFT	1						
56	3805-13720	• GEAR	1						

SGCZ2600DL

Fig.3 ENGINE UNIT



SGCZ2600DL

Fig.3 ENGINE UNIT

Key#	PART NUMBER	DESCRIPTION	Q'TY /UNIT	NOTE	Key#	PART NUMBER	DESCRIPTION	Q'TY /UNIT	NOTE
1	4810-12111	CYLINDER	1		74	1850-81530	• SCREW	4	
2	4810-12210	GASKET, base	1		75	5500-81160	• WASHER	1	
3	1850-12130	BOLT	2	M5x22	76	0263-90560	SCREW	2	M5x60
4	4810-13161	INSULATOR	1		77	4810-15100	MUFFLER ASS'Y	1	
5	4810-13120	GASKET, insulator	1		78	4810-15111	• MUFFLER	1	
6	4810-13130	GASKET, carburetor	1		79	4810-15140	• ARRESTER	1	
7	0263-90520	SCREW	2	M5x20	80	01252-30550	BOLT	2	M5x50
8	4810-16100	REEDVALVE (S)-A	1		81	4810-15410	GASKET	1	
9	4810-16110	• VALVECASE (S)	1		82	T1500-31110	COVER-A	1	
10	4810-16120	• REEDVALVE	1						
11	4810-16130	• STOPPER	1						
12	4810-16170	• SCREW	1	M3x8					
13	4810-16150	PIRE AIR (S)	1						
14	4810-16200	REEDVALVE (F)-A	1						
15	4810-16210	• VALVECASE (F)	1						
16	4810-16120	• REEDVALVE	1						
17	4810-16130	• STOPPER	1						
18	4810-16170	• SCREW	1	M3x8					
19	4810-16160	PIPE AIR (F)	1						
20	4810-16140	GASKET, valve	2						
21	4810-16180	SCREW	6		94	5500-85510	SCREW	1	M5x16
22	4810-21100	CRANKCASE-C	1		95	0263-90520	SCREW	4	M5x20
23	2629-21130	• PIN	3		96	4810-32111	COVER, engine	1	
24	4810-21140	GASKET	1		97	4810-12310	PLATE	1	
25	06030-06001	BEARING	2		98	0263-90510	SCREW	2	M5x10
26	4810-21210	SEAL	1		99	1140-51111	SHOE	2	
27	1850-21220	SEAL	1		100	1600-51223	SPRING	1	
28	04065-02812	SNAP RING	1		101	1140-51250	SCREW	2	
29	01252-30530	BOLT	3	M5x30	102	1140-51230	WASHER	2	
30	4810-22110	GUARD	1		103	1970-51241	WASHER	2	
31	0263-90510	SCREW	1	M5x10	104	4810-72110	CAP	1	
32	4810-41110	PISTON	1		105	1900-72120	SPRING	1	
33	5910-41210	RING	2		106	4810-71240	CORD	1	
34	1600-41310	PIN	1		107	4810-71250	CORD, earth	1	
35	1260-41320	RING	2		108	2850-71320	TUBE	1	
36	1140-41330	BEARING	1		109	4810-73110	PLUG	1	
37	1101-41340	WASHER	2		110	4810-72120	GROMMET	1	
38	4810-42000	CRANKSHAFT-C	1		111	4810-75100	RECOIL ASS'Y	1	
39	1650-43230	NUT	1		112	4500-75120	• REEL	1	
40	1000-43240	KEY	1		113	4500-75150	• SCREW	1	
41	5501-71110	ROTOR	1		114	1850-75130	• SPRING, spiral	1	
42	4810-71200	COIL-A	1		115	4500-75180	• COLLAR	1	
43	4810-71220	• CORD	1		116	4500-75190	• ARM	1	
44	2616-71320	• CAP	1		117	4810-75160	• ROPE	1	
45	1260-71261	SPACER	2		118	3330-75421	• KNOB	1	
46	4500-72150	BOLT	2	M4x22	119	4810-75170	• PLATE, stopper	1	
47	4810-81001	CARBURETOR ASS'Y	1		120	4500-75210	PULLEY	1	
48	4810-06030	• REBUILD KIT	1		121	5500-85510	SCREW	2	M5x16
49	4810-81450	•• BODY ASS'Y	1		122	4810-82100	BODY ASS'Y	1	
50	—————	••• SCREEN	—		123	4810-82130	• PLATE, choke	1	
51	—————	••• VALVE	—		124	5500-82140	• LEVER, choke	1	
52	—————	••• SPRING	—		125	2630-33610	• SCREW	1	
53	—————	••• SCREW	—		126	4810-82170	ELEMENT	1	
54	—————	••• PIN	—		127	4810-82180	SCREEN	1	
55	—————	••• LEVER	—		128	4810-82200	COVER ASS'Y	1	
56	4810-06020	•• GASKET KIT	1		129	5500-82221	• KNOB	1	
57	—————	••• DIAPHRAGM	—		130	T1504-85001	TANK ASS'Y	1	
58	—————	••• GASKET, diaphragm	—		131	T1015-85201	• CAP ASS'Y	1	
59	—————	••• DIAPHRAGM, pump	—		132	4500-85230	•• HOLDER	1	
60	—————	••• GASKET, pump	—		133	5600-85240	•• CAP	1	
61	4810-81130	••• RING	1		134	5600-85250	•• VALVE	1	
62	1850-81490	••• BODY, purge	1		135	4500-85220	•• PACKING	1	
63	1850-81520	• COVER, pump	1		136	3317-57242	•• STOPPER	1	
64	1751-81510	• PUMP, priming	1		137	5500-85300	• PIPE COMP.	1	
65	4810-81251	• JET	1		138	5500-85400	• FLTER ASS'Y	1	
66	1751-81240	• O-RING	1		139	1260-85460	• CLIP	1	
67	1751-81130	• RING	1		140	5500-85510	SCREW	3	M5x16
68	1881-81140	• SWIVEL	1		141	T1504-75410	LABEL, recoil	—	
69	—————	• VALVE ASS'Y	—		142	T1504-31130	LABEL, cover	1	
70	1752-81110	• SCREW	2		143	4810-31911	GUARD	1	
71	5500-81120	• BRACKET	1		144	0263-90525	SCREW	2	
72	1751-81180	• NUT, adjuster	1		145	1950-86120	CLIP	1	
73	1918-81170	• SCREW, adjuster	1						