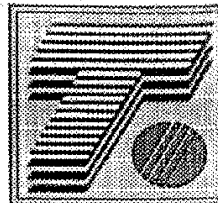


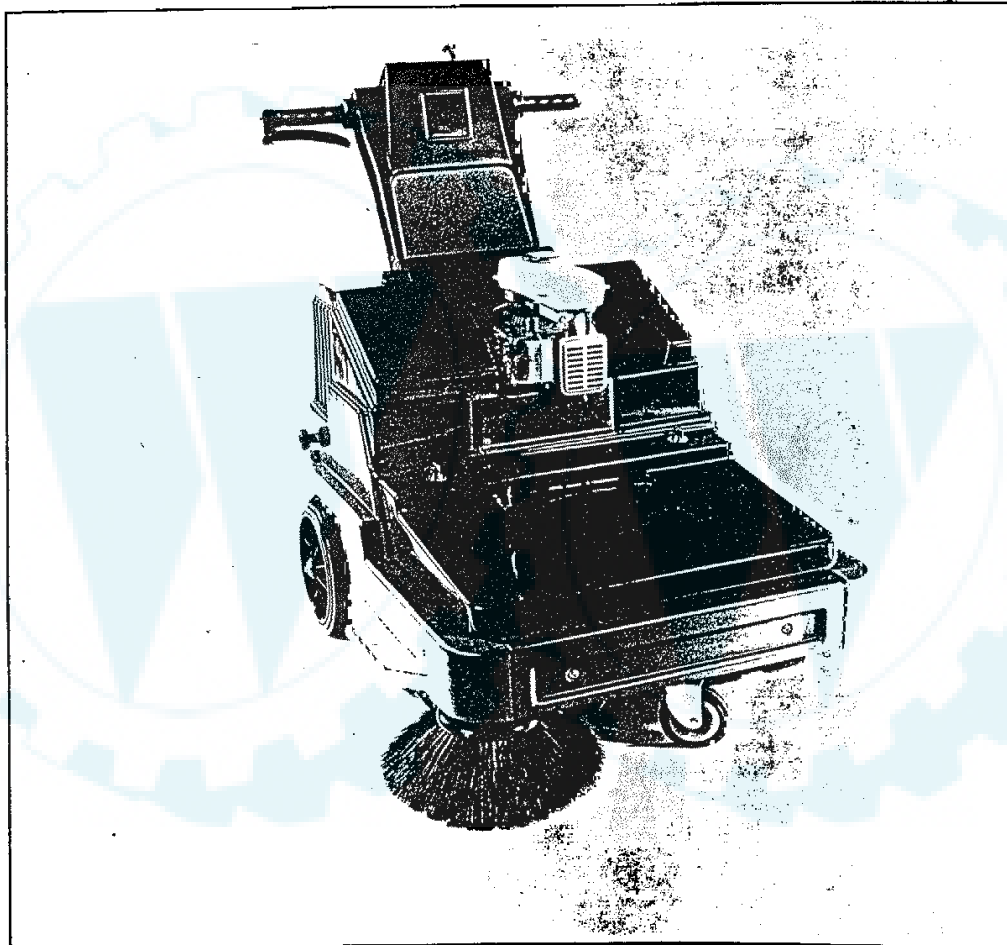
Teknova®



EINGEGANGEN

01. Aug. 1995

Erl.....

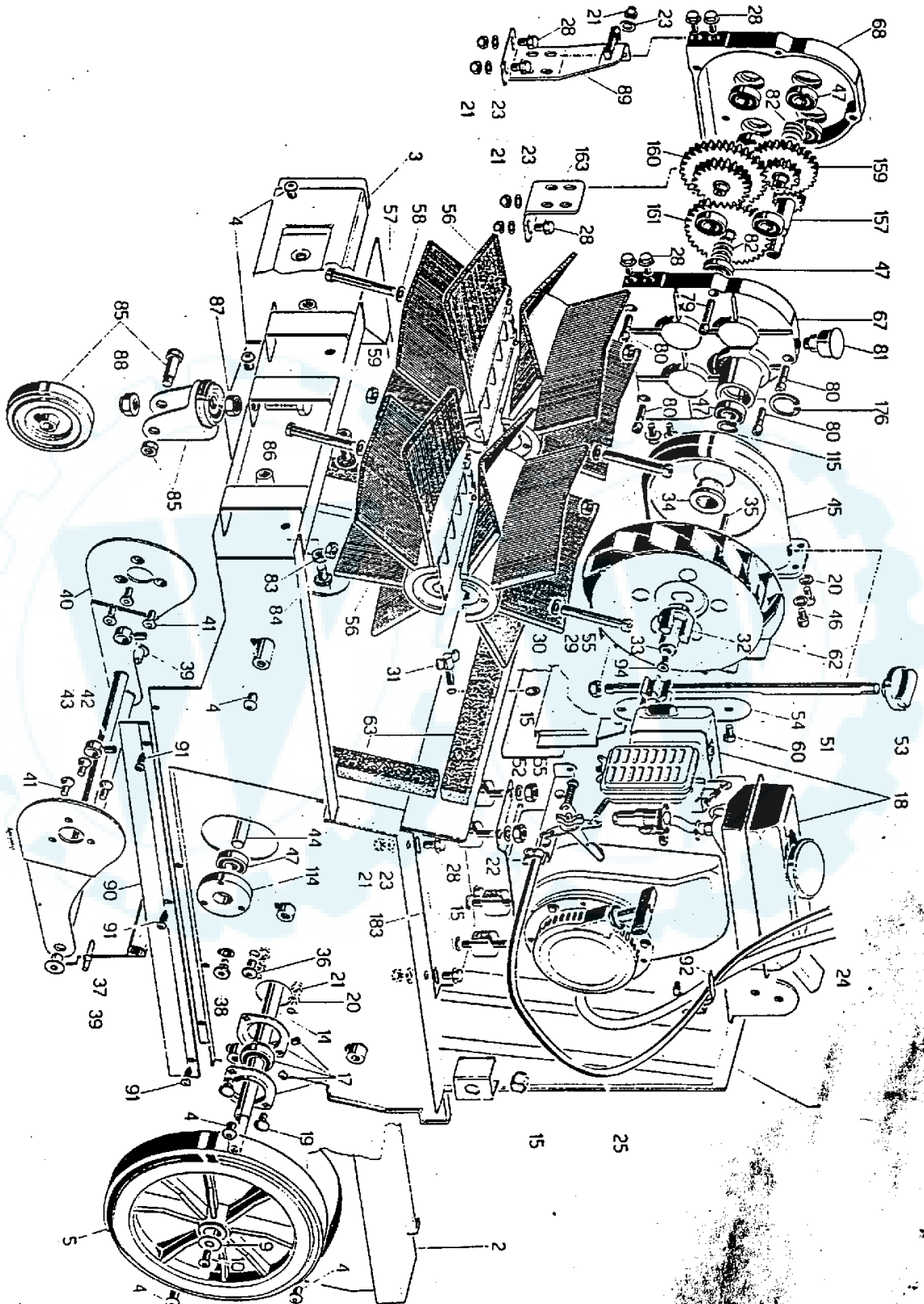


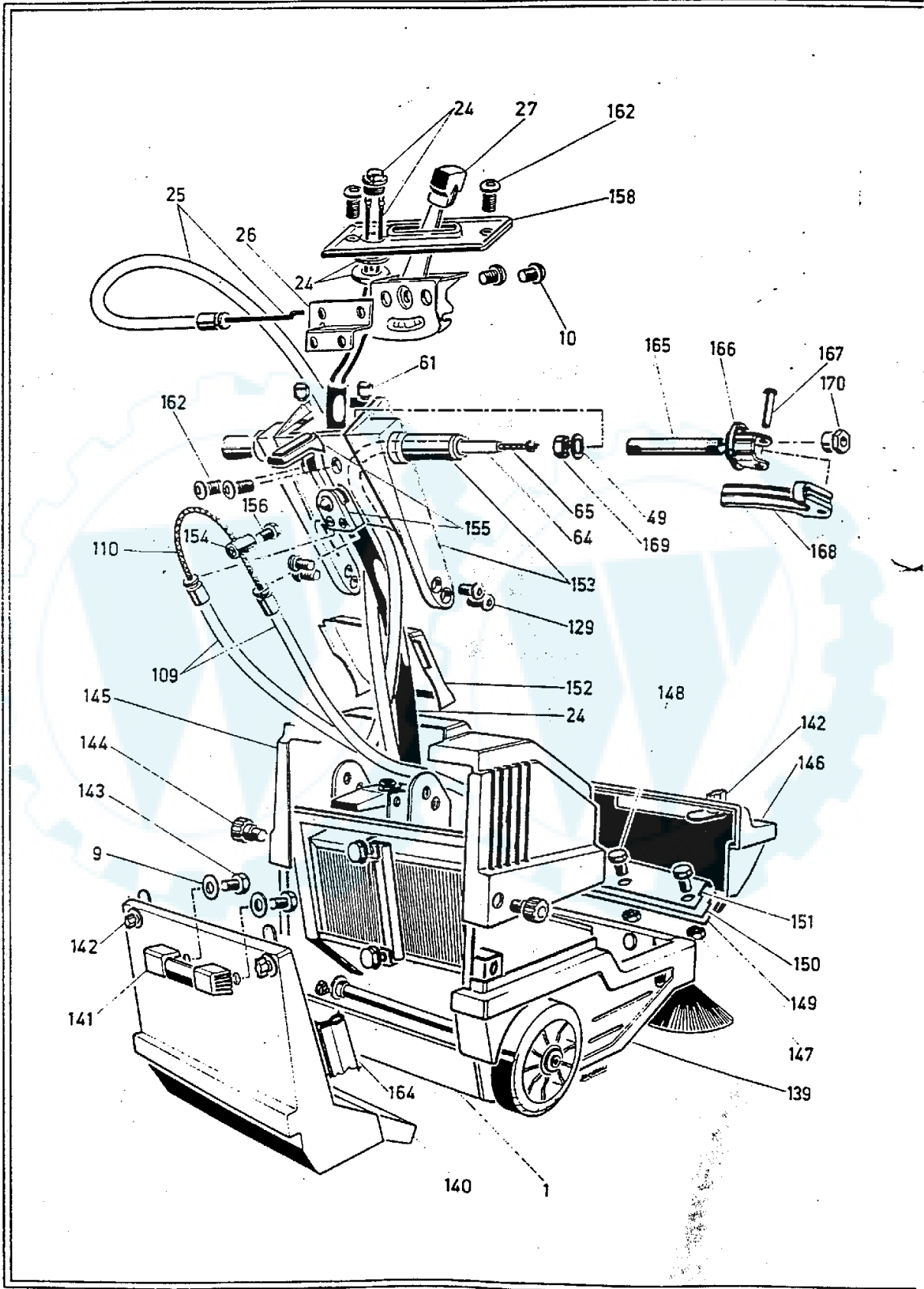
ELENCO PARTI DI RICAMBIO

TK 500 ST

PC 65 ST

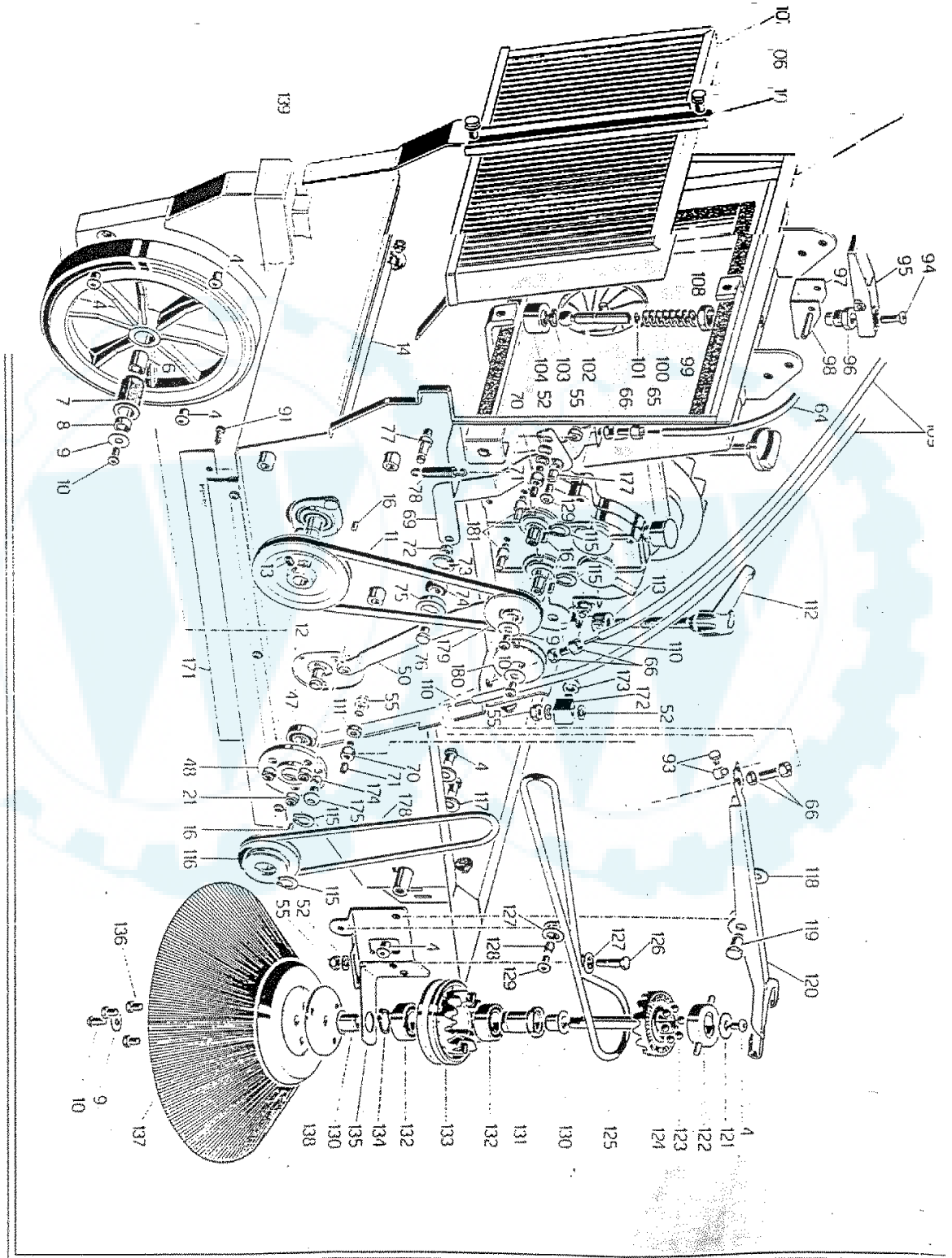
125	1.330.009	1	Rund Grün Riemen Ø8	Courroie ronde Ø8 Verte
126	2.230.020	1	Zapfen, Riemenspannrolle	Goujon rouleau tend. de courroie
127	2.250.025	2	Scheibe Ø25	Poulie Ø25 soutien courroie
128	2.110.022	1	Büchse Ø10	Douille Ø10
129	1.105.231	6	Schraube M8x20	Vis TBCE ISO 7380 M8x20
130	2.110.034	2	Büchse Ø20x15 TK	Douille Ø20x15 TK
131	2.110.012	1	Büchse, Nedellagerträger	Douille porte-paliers
132	1.390.012	2	Nedellager	Palier 6005 2RS
133	2.100.020	1	Glaatzahnring	Bague dentée folle
134	1.105.417	1	Aussenseeger	Bague d'arrêt externe DIN 471 Ø24
135	2.260.024	1	Seitenbesenrührer	Support brosse latérale
136	1.105.160	3	Schraube M6x10	Vis TE FR M6x10
137	2.350.020	1	Seitliche Besen, TK	Brosse latérale TK
138	2.250.034	1	Mitnehmerflansch Seitenbesen	Etrier traînement brosse latérale
139	2.120.104	1	Grau Rechts Seitengehäuse	Carter latérale droit gris
140	2.120.023	1	Grau Kleinbehälter	Bac arrière gris
141	2.310.097	1	Voll. Schwarze Handgriff	Poignée complète noire
142	1.320.044	4	Schließbar Box	Box à cadenas
143	1.105.361	2	Selbstschneidende Schraube	Vis-taraud 6.3x19
144	1.320.030	2	Handrad Ø40	Volant Ø40 M8x15
145	2.120.128	1	Rot Oberdeckel, TK500	Capot supérieur rouge TK500
146	2.120.129	1	Rot Großschmutzbehälter TK500	Bac avant rouge TK500
147	1.105.121	4	Mutter M4	Ecrou M4
148	1.105.002	4	Schraube M4x16	Vis M4x16
149	2.160.043	1	Großschmutzbehältersgummidichtung	Joint bac avant
150	2.160.042	1	Großschmutzbehältersgummi	Caoutchouc bac avant
151	2.150.023	1	Großschmutzbehälter Flap Haltung	Arrêt p. flap bac avant
152	2.120.074	1	Grau Handgriffskabelmantel Gehäuse	Carter couvre-câbles poignée grise
153	2.200.011	1	Handgriff, TK	Poignée TK
154	2.110.023	1	Kabelhalterklemme Ø8	Etau arrête-câble Ø8 H8
155	1.125.005	1	Seitenbesenszughebel TK	Levier commande brosse latérale TK
156	1.105.004	1	Schraube	Vis
157	2.100.015	1	Getriebezahnwelle	Arbre denté reducteur
158	2.120.117	1	Grau Instrumentenbrett TKS	Tableau de bord TKS gris
159	2.100.016	1	Zahnwelle Ø35	Arbre denté Ø35
160	2.100.017	1	Zahnwelle Ø45	Arbre denté Ø45
161	2.100.018	1	Getriebesbürstzugwelle	Arbre comande-brosse reducteur
162	1.105.236	4	Schraube M6x16	Vis
163	2.260.041	1	Linksuntersetzungsgetriebslager	Support reducteur gauche
164	1.320.048	M4,1,5	Gummidichtung	Joint caoutchouc
165	2.270.085	1	Handgriffsrohr	Tuyau de la poignée du guidon
166	2.260.030	1	Handgriffshalter	Support de la poignée
167	1.105.912	1	Gebehrte Niete 6x32TT	Rivet percé
168	2.190.007	1	Zugshandriff	Poignée traction
169	1.105.226	1	Mutter M12x1,25	Ecrou
170	2.230.025	1	Handgriffseinsatzbolzen	Pivot poignée
171	2.160.055	2	Innenrahmenklappe TK	Flap interne TK
172	2.110.026	1	Einstellendmass	Bloquet regulation brosse centrale TKS
173	1.105.004	1	Schraube M4x8	Vis
174	2.110.028	1	Riemenspannbügel Ø12	Douille Ø12 fixation etrier
175	1.105.241	1	Schraube	Vis
176	1.105.703	1	Innenseeger	Bague d'arrêt interne
177	2.110.025	1	Nylonbüchse	Douille en nylon
178	1.330.007	1	Elastischer Riemen	Courroie elastique
179	2.250.031	1	Zugscheibe	Poulie traction
180	2.250.032	1	Scheibe	Poulie
181	2.230.016	2	Riementrägersbolzen	Pivot de support courroie
183	2.190.012	1	Motorbefestigungsbügel TKS	Etrier fixation du moteur TKS





ELENCO COMPONENTI TK 500 ST

Rif	Code	N°	Descrizione	
1	2.270.083	1	Telaio TK 500 S verniciato 7001	TK 500 S frame with 7001 paintwork
2	2.120.105	1	Carter laterale sinistro Grigio TKS	TKE grey left side casing
3	2.120.019	1	Carter frontale Grigio TKS	Front grey casing
4	1.105.230	13	Vite TBCE ISO 7380 M8x10	Screw,M8x10
5	1.250.009	2	Ruota Ø250x45 foro 25 GN	Wheel Ø250x45 hole25 GN
6	1.390.016	2	Cuscinetto HFL 1426 a rullini	HFL 1426 roller bearing
7	2.110.002	2	Boccola per cuscinetti ruota	Bushing for the wheel bearing
8	1.390.015	2	Cuscinetto HK 1412 a rullini	HK 1412 roller bearing
9	1.105.325	11	Rondella UNI 6593 6x24x2	Washer,UNI 6593 6x24x2
10	1.105.234	7	Vite TBCE ISO 7380 M6x10	Screw,M6x10
11	1.330.008	1	Cinghia Z 29,5	Belt Z30 3/4
12	2.250.004	1	Puleggia trazione Ø 112 H. 18	Traction pulley, Ø 140
13	1.105.481	1	Grano UNI 5927 M6x10	Dowel,UNI 5927 M6x10
14	2.100.006	1	Albero trazione Ø17 x 697	Drive Shaft Ø 17x 597
15	1.105.903	7	Inserito filettato M8	Threaded insert M8
16	1.105.461	4	Chiavetta UNI 6604 5x5x15	Key,UNI 5927 5x5x15
17	1.390.017	2	Supporto SBPFL 203	Support
18	1.340.009	1	Motore HONDA G100 HP 2,2	G100 HONDA engine 2.2 HP
19	1.105.222	4	Vite TTDE UNI 5732 M6x16	M6x16 Screw
20	1.105.303	8	Rondella UNI 6592 6x12	6x12 Washer
21	1.105.133	16	Dado autobloccante DIN 985 M6	M6 Self-locking nut
22	1.370.005	4	Antivibrante Ø30x20 M8x16	Vibration damper Ø30x20
23	1.105.324	9	Rondella UNI 6593 M6x18x1,5	Washer M6x18x1,5
24	1.180.013	1	Pulsante di arresto TKS completo	Tk complete stopping button
25	1.125.010	1	Trasmissione comando acceleratore	Accelerator driving transmission
26	2.260.039	1	Supporto acceleratore	Accelerator support
27	1.125.011	1	Acceleratore	Accelerator
28	1.105.042	16	Vite TE UNI 5739 M6x16	M6x16 Screw
29	2.120.118	1	Chiusura cofano TKS Grigio	TKS Grey cover's locking
30	2.190.013	1	Staffa fissaggio filtro	Filter fixing bracket
31	1.320.062	1	Galletto Ø30 M8x15	Butterfly screw Ø8
32	2.155.003	1	Giunto Trasco 19-24 2Mozzi	2-Hubbed Trasco joint
33	2.150.024	1	Flangia di bloccaggio giunto Trasco	Trasco joint blocking flange
34	2.110.024	1	Boccola Ø40 H 30 per fissaggio ventola	Ø40 Bushing
35	1.105.467	1	Chiavetta UNI 6604 5x5x20	5x5x20 Key
36	1.105.232	2	Vite TBCE ISO 7380 M10x16	M10x16 Screw
37	2.160.035	1	Flap posteriore TK 500	Backside Flap
38	2.290.007	2	Perno Ø 15 H 25 bilancere	Pin for rocker,Ø 17 H25
39	2.110.016	2	Boccola bilancere Ø18 H 20	Rocker bushing,Ø18 H20
40	2.110.017	1	Bilancere TK 500	Rocker
41	1.105.503	6	Vite TSCE UNI 5933 M6x20	Screw M6x20
42	1.105.490	2	Grano UNI 5923 M6x5	Dowel,M6x6
43	2.130.003	2	Distanziale per albero spazzola	Spacer for the brush drive shaft
44	2.100.008	1	Albero spazzola centrale TK500S	Shaft for main brush
45	2.120.127	1	Coclea aspirazione	Suction screw
46	1.105.508	4	Vite TCCE UNI 5931 M6x10	M6x10 Screw
47	1.390.009	10	Cuscinetto 6202 2RS	Roller bearing
48	2.260.028	1	Supporto Ø 80 TK 500	Ø80 Support
49	1.105.306	1	Rondella UNI 6592 12x24	12x24 Washer
50	2.190.010	1	Staffa regolazione spazzola centrale TKS	Centre brush adjustment bracket
51	2.230.014	1	Albero per valvola a farfalla	Butterfly valve shaft
52	1.105.304	9	Rondella UNI 6592 8x17	8x17 Washer
53	1.320.033	1	Pomolo di regolazione	Adjusting knob
54	2.290.006	1	Valvola a farfalla per coclea	Butterfly valve for suction screw
55	1.105.134	8	Dado autobloccante DIN 985 M8	Locknut,M8
56	2.350.005	1	Spazzola centrale a modulo TK 500	TK 500 centre brush of the module type
57	1.105.551	4	Vite TCCE UNI 5931 M5x70	Screw,M5x70
58	1.105.302	4	Rondella UNI 6592 5x10	Washer M5x10
59	1.105.122	4	Dado UNI 5588 M5	Nut M5
60	1.105.512	2	Vite tece UNI 5931 M5x10	M5x10 Screw



61	1.105.901	2	Inserto filettato M6	Threaded insert
62	1.290.009	1	Ventola in plastica	Plastic fan
63	2.160.033	1	Kit mousse adesiva 30x15 cassetto anter.	Adhesive kit for the front drawer,30x15
64	2.125.014	1	Guaina per cavo trazione TK 500	TK 500 E sheath for the drive cable
65	1.125.001	1	Cavo trazione Ø 1,9 testa sferica	Spherical end cable,Ø 1.9
66	1.105.229	3	Registro tornito Ø 7	Turned adjuster Ø7
67	2.195.001	1	Corpo riduttore	Reductor's body
68	2.195.002	1	Coperchio riduttore	Reductor's cover
69	2.190.011	1	Staffa tendicinghia TKS	TKE belt tightener brakel
70	2.290.004	2	Vite CH17 H28 fissaggio filo	Wiring fixing screw
71	1.105.485	2	Grano UNI 5923 M5x6	Dowel ,M5x6
72	2.130.001	1	Distanziale Ø12 H3,5	Spacer,Ø12 H3.5
73	1.105.701	1	Seeger interno DIN 472 Ø22	Inner snap ring,DIN 472 Ø22
74	1.390.005	1	Cuscinetto 608 2RS	Bearing
75	2.250.001	1	Rullo tendicinghia	Belt tightener roller
76	2.290.001	1	Vite per bloccaggio rullo tendicinghia	Fixing screw for the belt tightener roller
77	2.230.015	1	Perno CH17 H26 attacco per molla	Spring fixing pin H16
78	2.205.005	1	Molla trazione	TK 500raction spring
79	1.105.509	1	Vite TTCE UNI 5931 M6x50	M6x50 Screw
80	1.105.510	4	Vite TTCE UNI 5931 M6x35	M6X35 Screw
81	1.320.004	1	Ingrassatore Stauff	Stauff Greaser
82	1.105.952	8	Spessore 15x21x0,5	Nut UNI 5588 M4
83	1.105.123	2	Dadi UNI 5588 M6	Nut UNI 5588 M6
84	1.370.003	2	Piedino 20x9 M6x15	Plug 20x9 M6x15
85	1.250.067	1	Ruota Ø100 supporto girevole	Rotary support wheel Ø100
86	1.105.094	1	Vite TE UNI 5739 M12x40	Screw,UNI5739 M12x40
87	1.105.126	1	Dado UNI 5588 M12	Nut,UNI5588 M12
88	1.105.136	1	Dado autobloccante DIN 985 M12	Locknut,DIN985 M12
89	2.260.040	1	Supporto riduttore regol.spazzola TKS	TKS Brush adjustment reductor's body
90	2.160.036	2	Flap laterale destro	TK right side flap
91	1.105.356	16	Vite autofilettante TC UNI 6594 3,5x9,5	Self-ttipping screw,UNI 6594 3.5x9.5
92	1.380.015	2	Fascetta fissaggio guaina	Sheath clamp
93	1.125.004	1	Morsetto Ø7	Ø7 Clamp
94	1.105.502	2	Vite TSCE UNI 5933 M6x16	Screw UNI 5933 M6x16
95	2.190.006	1	Leva scuotifiltro	Filter shaker lever
96	2.165.005	1	Guida scuotifiltro CH24 H27	Filter shaker lever guide,H27
97	2.260.016	1	Supporto leva scuotifiltro	Filter shaker lever support
98	1.105.913	1	Rivetto forato M6x48	Drillet rivet 6x48
99	1.105.221	1	Dado UNI 5589 M18	Nut,UNI 5589 M18
100	2.205.006	1	Molla compressione scuotifiltro	Filter shaker compression spring
101	1.160.049	1	Guarnizione OR 106	O-ring 106
102	2.230.018	1	Perno Ø15 H78 a sfera	Ball pin,Ø 15 H78
103	1.105.702	1	Seeger interno DIN 472 Ø16	Inner snap ring,DIN 472 Ø16
104	2.205.007	1	Mazza snodata	Articulated bar
105	2.260.027	1	Staffa fissaggio filtro	Filter fixing brakel
106	1.105.181	2	Vite TE FR M8x16	Screw, TE FR M8x16
107	2.360.002	1	Filtro a pannello	TK 500 panel filter
108	2.160.052	1	Kit mousse adesiva 15x5 filtro	Adhesive mousse for the filter, 15x5
109	2.310.134	1	Coppia guaina +cavo alza spazzola	Sheath + brush lifting cable
110	2.125.018	1	Cavo Ø1,9 lung.2450	Side brush lifting cable
111	1.105.124	1	Dado UNI 5588 M8	Nut, M8
112	2.200.031	1	Maniglia regolazione spazzola centrale	Main brush adjustment handle
113	1.110.020	1	Ghiera zigrinata Ø25 M12	Knurled ring nut
114	2.260.020	1	Supporto Ø60 H13 cuscinetto bilancere	Rock bearing support
115	1.105.405	5	Seeger esterno DIN 471 Ø15	Outer snap ring,DIN 471 Ø15
116	2.250.068	1	Puleggia 2 gole Ø70 movimento spazzola	TK side brush pulley
117	1.105.326	2	Rondella UNI 6593 8x24x2,5	Washer,8x24x2.5
118	1.105.305	1	Rondella UNI 6592 10x21	Washer ,10x21
119	2.230.002	1	Perno CH17 H34 leva spazzola laterale	Side brush lever's pin
120	2.190.004	1	Leva sollevamento spazzola laterale	Side brush lifting lever
121	1.105.327	1	Rondella UNI 6593 8x32x2,5	Washer ,UNI 6593 8x32x2.5
122	2.100.012	1	Anello cuscinetto spazzola laterale	Ring for the side brush bearing
123	1.260.029	6	Sfere 11/32"	Balls 11/32"
124	2.100.019	1	Albero dentato movimento spazzola later.	Toothed ring for the side brush drive

125	1.330.009	1	Cinghia tonda Ø8 verde	Round green belt,Ø78
126	2.230.020	1	Perno CH13 H34 rullo tendicinghia	Belt tightening roller pin,C13 H34
127	2.250.025	2	Puleggia Ø25 sost.cinghia	Belt support pulley ,Ø25 H13
128	2.110.022	1	Boccola Ø10 H12	Bushing,Ø25,H13
129	1.105.231	6	Vite TBCE ISO 7380 M8x22	Screw,ØM8x20
130	2.110.034	2	Boccola Ø20x15 TK	Bushing, Ø 20x15 TK
131	2.110.012	1	Boccola portacuscinetti	Bushing for bearings
132	1.390.012	2	Cuscinetto 6005 2RS	6005 2RS bearings
133	2.100.020	1	Anello dentato folle	Idle toothed ring
134	1.105.417	1	Seeger esterno DIN 471 Ø24	Outer snap ring,DIN 471 Ø24
135	2.260.024	1	Supporto spazzola laterale	Side brush support
136	1.105.160	3	Vite TE FR M6x10	Screw M6x10
137	2.350.020	1	Spazzola laterale	TK Side brush
138	2.250.034	1	Flangia trascinamento spazzola laterale	Side brush dragging flange
139	2.120.104	1	Carter laterale destro Grigio	Right grey side casing
140	2.120.023	1	Cassetto posteriore TKS 500 Grigio	Rear grey drawer
141	2.310.097	1	Maniglia cassetto posteriore nera	Complete black handle
142	1.320.044	4	Box lucchettabile	Lockable box
143	1.105.361	2	Vite autofilettante TE FR 6,3x19	Self tapping screw 6.3x19
144	1.320.030	2	Volantino Ø40 M8x15	Handwheel,Ø40 M8x15
145	2.120.128	1	Cofano superiore TKS Rosso ABS	TK500 red upper bonnet
146	2.120.129	1	Cassetto anteriore TKS Rosso ABS	TK 500 front red drawer
147	1.105.121	4	Dadi UNI 5588 M4	Nut,UNI 5588 M4
148	1.105.002	4	Vite TE UNI 5739 M4x16	Screw UNI 5739 M4x16
149	2.160.043	1	Para cassetto anteriore TK 500	Front drawer's para rubber
150	2.160.042	1	Gomma cassetto anteriore TK 500	Front drawer gasket
151	2.150.023	1	Ferma flap cassetto anteriore TK 500	Flap retainer for the front drawer
152	2.120.074	1	Carter copricavi manico Grigio	Grey cable casing for the handle
153	2.200.011	1	Manico TK	TK handle
154	2.110.023	1	Morsetto fermacavo Ø8 h8	Cable retaining clamp,Ø8 H8
155	1.125.005	1	Leva comando spazzola laterale	TK side brush control lever
156	1.105.004	1	Vite TE UNI 5739 M4x8	M4x8 Screw
157	2.100.015	1	Albero dentato Ø26 riduttore	Ø26 Reductor toothed shaft
158	2.120.117	1	Cruscotto TKS Grigio	Grey TKS Dashboard
159	2.100.016	1	Albero dentato Ø35 riduttore	Ø35 Toothed Shaft
160	2.100.017	1	Albero dentato Ø45 riduttore	Ø45 Toothed Shaft
161	2.100.018	1	Albero comando spazzola riduttore	Reductor brush driving shaft
162	1.105.236	4	Vite TBCE ISO 7380 M6x16	M6x16 Screw
163	2.260.041	1	Supporto riduttore sinistro	Left reductor' support
164	1.320.048	M4,1.5	Guarnizione trafilato gomma	Rubber gasket
165	2.270.085	1	Tubo maniglia manico	Handle tube
166	2.260.030	1	Supporto maniglia	Handle support
167	1.105.912	1	Rivetto forato M6x32	Drillet rivet
168	2.190.007	1	Maniglia trazione	Traction handle
169	1.105.226	1	Dado UNI 5588 M12x1,25	Nut,UNI 5588 M 12x1.25
170	2.230.025	1	Perno inserto maniglia	Handle pin
171	2.160.055	2	Flap interno	TK inside flap
172	2.110.026	1	Blocchetto regolaz. spazzola centrale TKS	TKS Main brush adjustment block
173	1.105.004	1	Vite TE UNI 5739 M4x8	M4x8 Screw
174	2.110.028	1	Boccola Ø12 Fe fissaggio staffa	Ø12 Bracket fixing bushing
175	1.105.241	1	Vite TBCE ISO 7380 M10x10	M10x10 Screw
176	1.105.703	1	Seeger interno DIN 472 Ø35	Inner snap ring
177	2.110.025	1	Boccola nylon leva tendicinghia	Nylon bushing
178	1.330.007	1	Cinghia elastica Ø8 sviluppo 710 elastica	Ø8 Elastic belt
179	2.250.031	1	Puleggia trazione su riduttore	Traction pulley
180	2.250.032	1	Puleggia movimento spazzola ridutt.	Pulley
181	2.230.016	2	Perno CH10 H43,7 sostegno cinghia	Belt support pin
183	2.190.012	1	Staffa fissaggio motore TKS	TKS Engine fixing bracket

ELENCO COMPONENTI TK 500 ST

Rif	Code	N°	Beschreibung	Description
1	2.270.083	1	Rahmen TK 500 E, Grau Lackiert	Châssis TK 500 E verni 7001
2	2.120.105		Seitengehäuse links, Grau TKE	Carter latéral gauche gris TKE
3	2.120.019		Frontgehäuse, Grau	Carter avant gris
4	1.105.230	13	Schraube M8x10	Vis M8x10
5	1.250.009	2	Rad Ø250x45	Roue Ø250x45 trou 25 GN
6	1.390.016	2	Nedellager	Palier HFL 1426 à rouleaux
7	2.110.002	2	Unterlegscheibe	Douille p. paliers roue
8	1.390.015	2	Nedellager	Palier HK 1412 à rouleaux
9	1.105.325	11	Unterlegscheibe	Rondelle UNI 6593 6593 6x24x2
10	1.105.234	7	Schraube	Vis M6x10
11	1.330.008	1	Riemen Z30	Courroie Z30 3/4
12	2.250.004	1	Zugriemenscheibe	Poulie traction Ø140
13	1.105.481	1	Zapfen M6x10	Ergot UNI 5927 M6x10
14	2.100.006	1	Antriebswelle Ø17 x 697	Arbre traction Ø17 x 697
15	1.105.903	7	Gewindeinsatz M8	Élément Taraudé M8
16	1.105.461	4	Keil 5x5x15	Clé 5x5x15
17	1.390.017	2	Halterung	Support
18	1.340.009	1	Motor HONDA G100 2.2 HP	Moteur HONDA G100 2.2 HP
19	1.105.222	4	Schraube	Vis M6x16
20	1.105.303	8	Unterlegscheibe 6x12	Rondelle 6x12
21	1.105.133	16	Selbstsperrmutter M6	Écrou autobloquant M6
22	1.370.005	4	Unterlegscheibe 6x12	Antivibrations Ø 30x20
23	1.105.324	9	Schraube M5x16	Rondelle
24	1.180.013	1	Flügelrad Ø200	Bouton complet d'arrêt Tk
25	1.125.010	1	Flügelradbüchse	Trasmission de accélérateur
26	2.260.039	1	Antriebsgeriebemotor Ø77	Support de accélérateur
27	1.125.011	1	Bürstengeriebemotor Ø77	Accélérateur
28	1.105.042	16	Schraube M6x16	Vis M6x16
29	2.120.118	1	Grau Deckelschliessung TK	Serrure capot TKS gris
30	2.190.013	1	Filterbefestigungsbügel	Etrier de fixation du filtre
31	1.320.062	1	Flügelmutter Ø8	Écrou à oreilles Ø8
32	2.155.003	1	Zweinabig Trasco Gelenk	Joint Trasco à deux moyaux
33	2.150.024	1	Trasco Dichtung Blockierungsflansch	Bride de blocage du joint Trasco
34	2.110.024	1	Büchse Ø40	Douille Ø40
35	1.105.467	1	Keil 5x5x20	Clé 5x5x20
36	1.105.232	2	Schraube M10x16	Vis M10x16
37	2.160.035	1	Hintere Klappe TK 500	Flap arrière
38	2.290.007	2	Zapfen Ø17 Kipphebel	Goujon Ø17 H25 pour culbuteur
39	2.110.016	2	Kipphebelbüchse Ø18	Douille culbuteur Ø18 H20
40	2.110.017	1	Kipphebel	Culbuteur
41	1.105.503	6	Schraube M6x20	Vis M6x20
42	1.105.490	2	Zapfen M6x6	Ergot M6x6
43	2.130.003	2	Wellenabstandstück - Antriebsbürste	Entretoise arbre brosse traction
44	2.100.008	1	Mittenbürstenwelle	Arbre brosse centrale
45	2.120.127	1	Saugungsschraube	Vis d'aspiration
46	1.105.508	4	Schraube M6x10	Vis M6x10
47	1.390.009	10	Lager	Palier
48	2.260.028	1	Halterung Ø80	Support Ø80 TK 500
49	1.105.306	1	Unterlegscheibe 12x24	Rondelle 12x24
50	2.190.010	1	Einstellbügel Mittenbürste	Etrier réglage brosse centrale
51	2.230.014	1	Drossenventilwelle	Arbre vanne à Papillon
52	1.105.304	9	Unterlegscheibe 8x17	Rondelle 8x17
53	1.320.033	1	Einstellungsknopf	Pommeau de regulation
54	2.290.006	1	Handrad Ø60	Volant Ø60
55	1.105.134	8	Selbstsperrmutter M8	Écrou autobloquant M8
56	2.350.005	1	Modulmittenbürsten TK 500	Brosse centrale à module TK 500
57	1.105.551	4	Schraube M5x70	Vis M5x70
58	1.105.302	4	Unterlegscheibe M5x10	Rondelle M5x10
59	1.105.122	4	Mutter M5	Écrou M5
60	1.105.512	2	Batterie 12V80 A	Vis M5x10

61	1.105.901	2	Gewingeeinsatz M6	Insert taraudé
62	1.290.009	1	Plastikflügelrad	Ventilateur en plastique
63	2.160.033	1	Satz Klebschaumgummi 30x15 Frontschieber	Kit mousse adhesive 30x15 bac avant
64	2.125.014	1	Zugkabelmantel	Gainé câble traction TK 500 S
65	1.125.001	1	Zugkabel Ø1.9 mit Kugelkopf	Câble Ø1.9 rotule pour traction
66	1.105.229	3	Gedrehtes Register Ø7	Barre de réglage tournée Ø7
67	2.195.001	1	Untersetzungsgetriebe	Reducteur
68	2.195.002	1	Getriebebesdeckung	Couvercle du reducteur
69	2.190.011	1	Riemenspannbügel TKE	Etrier tendeur de courroie TKE
70	2.290.004	2	Schraube CH17 Drahtbefestigung	Vis CH17 H28 fixation fil
71	1.105.485	2	Zapfen M5x6	Ergot UNI 5923 M5x6
72	2.130.001	1	Abstandstück Ø12	Entretoise Ø12 H3.5
73	1.105.701	1	Innenseeger Ø22	Bague d'arrêt interne Ø22
74	1.390.005	1	Lager	Palier
75	2.250.001	1	Riemenspannrolle	Rouleau tendeur de courroie
76	2.290.001	1	Befestigungsschraube - Riemenspannrolle	Vis de bloquage tend. de courroie
77	2.230.015	1	Zapfen CH 10 H 16 - Federverankerung	Goujon CH10 H16 pour attache ressort
78	2.205.005	1	Zugfeder TK 500	Ressort traction TK 500
79	1.105.509	1	Schraube M6x50	Vis M6x50
80	1.105.510	4	Schraube M6x35	Vis M6x35
81	1.320.004	1	Stauff Schmiernippel	Lubrificateur Stauff
82	1.105.952	8	Mutter M4	Ecrou UNI 5588 M4
83	1.105.123	2	Mutter M6	Ecrou UNI 5588 M6
84	1.370.003	2	Puffer 20x9 M6x15	Tampon 20x9
85	1.250.067	1	Rad Ø 100 Drehlager	Roue Ø100 support pivotant
86	1.105.094	1	Schraube M12x40	Vis M12x40
87	1.105.126	1	Mutter M12	Ecrou M12
88	1.105.136	1	Selbstspannmutter M12	Ecrou autobloquant M12
89	2.260.040	1	Bürsteneinstellungsgetriebesträger TKS	Support reducteur rég. brosse TKS
90	2.160.036	2	Seitenklappe rechts TK	Flap latéral droit TK
91	1.105.356	16	Selbstschneidende schraube 3,5x9,5	Vis-taraud 3.5x9.5
92	1.380.015	2	Mantelbefestigungsschelle	Collier fixation gaine
93	1.125.004	1	Klemme Ø7	Pince Ø7
94	1.105.502	2	Schraube M6x16	Vis UNI 5933 M6x16
95	2.190.006	1	Filterrüttelhebel	Levier secouement filtre
96	2.165.005	1	Filterrüttelführung H27	Guide secouement filtre H27
97	2.260.016	1	Filterrüttler - Hebelhalter	Support levier secouement filtre
98	1.105.913	1	Geböhrte Niete 6x48 TT	Rivet percé
99	1.105.221	1	Mutter M18	Ecrou UNI 5589 M18
100	2.205.006	1	Filterrüttler - Druckfeder	Ressort compression secouement filtre
101	1.160.049	1	Dichtung OR 106	Joint OR 106
102	2.230.018	1	Kugelzapfen Ø15	Goujon Ø15 H78 à bille
103	1.105.702	1	Innenseeger Ø16	Bague d'arrêt interne Ø16
104	2.205.007	1	Gelenkschlägel	Barre articulée
105	2.260.027	1	Filterbefestigungsbügel	Etrier de fixation filtre
106	1.105.181	2	Schraube M8x16	Vis M8x16
107	2.360.002	1	Tafelfilter TK 500	Filtre a panneau TK 500
108	2.160.052	1	Klebschaumgummi 15x5 Filter	Mousse adhésive 15x5 filtre
109	2.310.134	1	Paar Mantel + Bürstenhebekabel	Couple gaine + câble lève-brosse
110	2.125.018	1	Bürstenhebekabel, seitlich, nachmass	Câble lève-brosse latérale en position
111	1.105.124	1	Mutter 5588	Ecrou UNI 5588 UNI
112	2.200.031	1		Pommeau de regulation brosse centrale
113	1.110.020	1		Frette "ZIG"
114	2.260.020	1	Halter Ø60 H13 palier culbuteur	Support Ø60 H13 palier culbuteur
115	1.105.405	5	Aussenseeger Ø15	Bague d'arrêt externe Ø15
116	2.250.068	1	Riemenscheiben- Seitenbürsten TK	Poulie brosse latérale TK
117	1.105.326	2	Unterlegscheibe 8x24x2.5	Rondelle 8x24x2.5
118	1.105.305	1	Unterlegscheibe 10x21	Rondelle 10x21
119	2.230.002		Mittelbürstenhebelzapfen	Goujon levier brosse latérale
120	2.190.004		Seitliche Bürstenhebeshebel	Levier soulèvement brosse latérale
121	1.105.327		Unterlegscheibe 8x32x3.5	Rondelle 8x32x3.5
122	2.100.012		Seitliche Bürstenlagerring	Bague palier brosse latérale
123	1.260.029		Kugeln 11/32"	Billes 11/32"
124	2.100.019		Seitenhesenszahnring	Bague dentée mouvement brosse laterae

ATTENZIONE

ATTENTION

ACHTUNG

ATTENTION

- All'ordine delle parti di ricambio fare riferimento sempre al numero di codice.

When ordering spareparts, always refer to the **codenumber**.

À la commande des pieces detachés, toujours se référer au numéro de **code**.

An der bestellung die ersatzteile, bezieen sie sich immer an der **codenummer**.

- I nostri prodotti sono costantemente modificati per adeguarsi ai nuovi standard tecnici, per cui ci riserviamo il diritto di modificare i dati senza preavviso alcuno.

• Our products are constantly modified to fit to the new technical standard, hence we keep the right to modify datas without any previous notice.

• Nos produits sont constamment modifiés pour se conformer aux nouveaux standard techniques, donc nous nous reservons le droit de modifier le donnés sans aucun préavis.

• Um den neuen technischen Standards anzupassen, sind unseren Produkten ständig geändert. Wir uns die Rechten den technischen daten ohne vorherige Benachrichtigung zu Ändern.

SERIE TK

Ihr Ersatzteilspezialist im Internet