

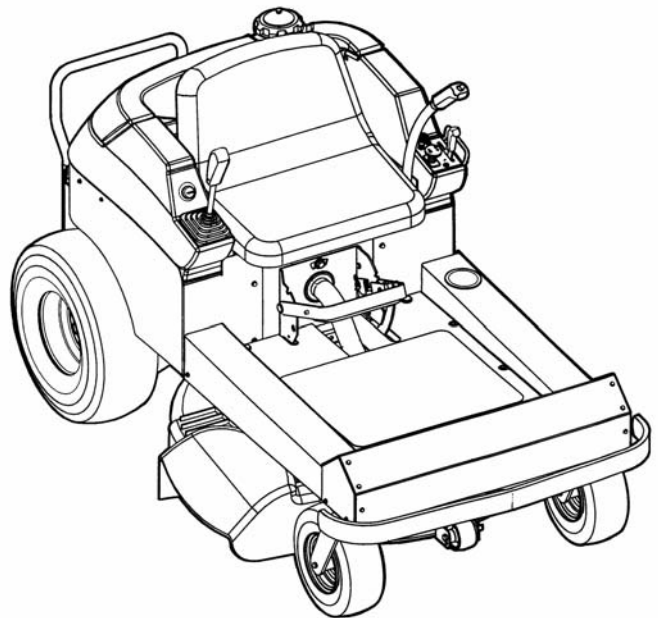
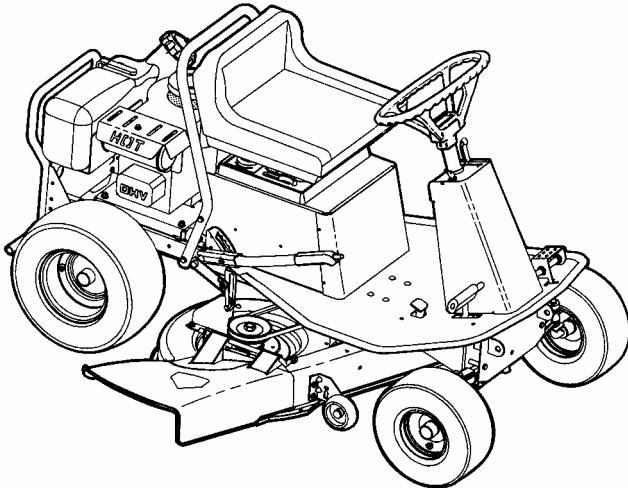
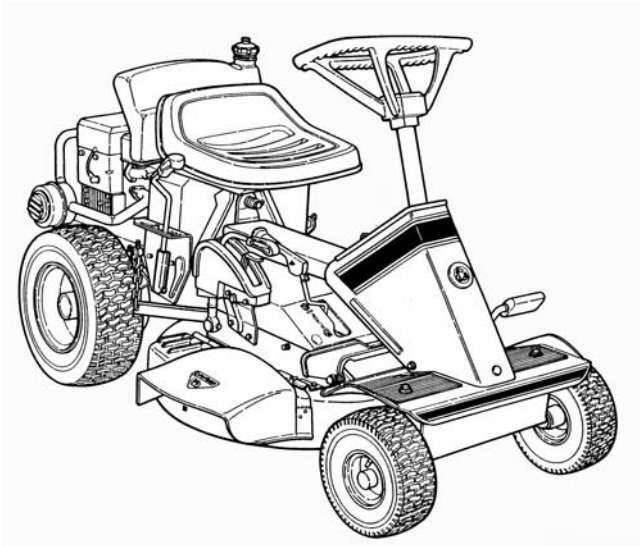
*Parts Manual for*  
**SNAPPER**<sup>®</sup>

**REAR ENGINE RIDER  
ACCESSORIES**

**DISC DRIVE  
SERIES X and 0 thru 21**

**HYDRO DRIVE  
SERIES 0, 1 & 2**

**YARD CRUISER  
SERIES 0, 1 & 2**



**SNAPPER**<sup>®</sup> McDonough, GA., 30253 U.S.A.

# CONTENTS

## REAR ENGINE RIDER & YARD CRUISER MODEL IDENTIFICATION

Positive identification of the machine will be necessary. Identify the machine with the model number to insure the correct kit is used for that model. The series number or letter of the model number is used in this manual to match the correct kit with the correct model. Refer to Owner's Manual for correct Series number.

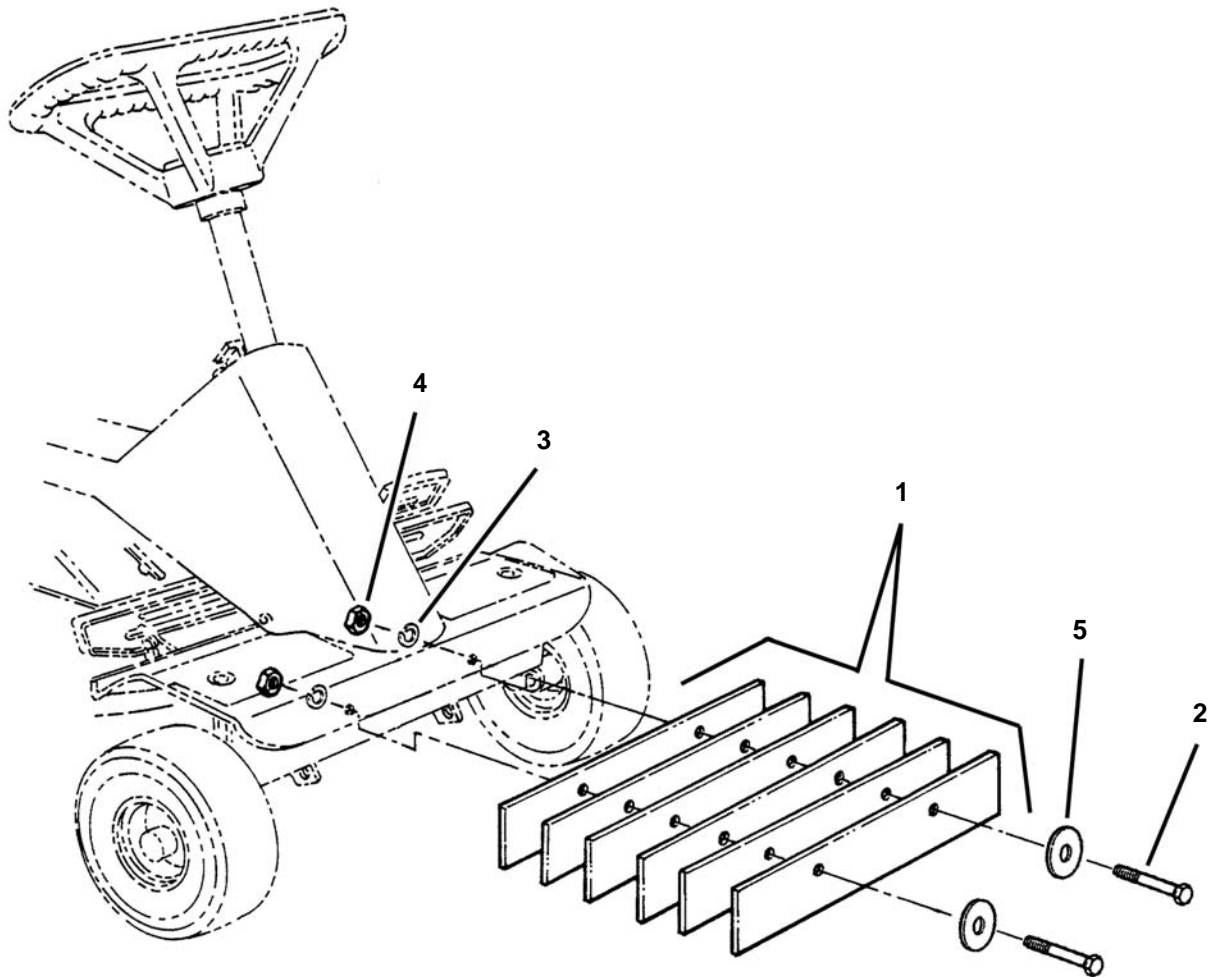
| KIT No.               | DESCRIPTION   | PAGE    |
|-----------------------|---|---------|
| <b>Weights</b>        |   |         |
| 6-3311                | Front Weight (6 ballast) (replaces 6-1190) .....                          | 4       |
| 6-3039                | Front Weight (Yard Cruiser) .....   | 5       |
| 6-0517                | Rear Wheel Weight .....   | 74      |
| <b>Blades</b>         |   |         |
| 6-1823                | 25" Recycling Blade, Ninja .....  | 6 & 7   |
| 6-1253                | 28" Recycling Blade, Ninja .....  | 6 & 7   |
| 6-1255                | 33" Recycling Blade, Ninja (R. E. R. & Yard Cruiser) .....                | 6 & 7   |
| 6-1254                | 30" Recycling Blade, Ninja .....  | 8       |
| 6-1877                | 38" Recycling Blade, Wave(Hydro R. E. R. & Yard Cruiser).....             | 9       |
| 6-1878                | 38" Recycling Blade, Ninja(Hydro R. E. R. & Yard Cruiser) .....           | 9       |
| 6-1987                | 42" Recycling Blade, Ninja(R. E. R. & Yard Cruiser).....                  | 10      |
| 6-1220                | 41" & 42" Recycling Blade, Ninja(R. E. R. w/2-blade, non-adj. decks)..... | 11      |
| 6-1049                | 25" Recycling Blade, Standard.....  | 7       |
| 6-1050                | 28" Recycling Blade, Standard.....  | 7       |
| 6-1051                | 33" Recycling Blade, Standard.....  | 7       |
| 6-3087                | 48" Mulching Blade, Ninja(48" Yard Cruiser).....                          | 12      |
| 6-3110                | 48" Mulching Blade, Wave(48" Yard Cruiser) .....                          | 13      |
| 6-0735                | Air Lift (26 & 30" Deck).....   | 72      |
| 6-0480                | Air Lift (28" & 33" Decks- Hi-Vac).....                                   | 72      |
| 6-1777                | Air Lift (26", 28" & 33" Decks- European) .....                           | 72      |
| <b>Grass Catchers</b> |   |         |
| 6-0941                | 25" Single Bag Catcher .....  | 14 & 15 |
| 6-0943                | 28" & 33" Single Bag Catcher.....   | 14 & 15 |
| 6-3317                | 28" & 33" Single Bag Catcher (European R. E. R.) (replaces 6-1413).....   | 16 & 17 |
| 6-1954                | 30" Single Bag Catcher (replaces 6-0942).....                             | 14 & 15 |
| 6-3044                | 33" Single Bag Catcher (Yard Cruiser, Series 0 & 1).....                  | 18 & 19 |
| 6-3157                | 33" Single Bag Catcher (Yard Cruiser, Series 2) .....                     | 18 & 19 |
| 6-3082                | 38" Single Bag Catcher (R. E. R. Standard & Hydro) .....                  | 20 & 21 |
| 6-3045                | 38" Single Bag Catcher (33", 38" & 42" Series 1Yard Cruiser) .....        | 22 & 23 |
| 6-3172                | 38" Single Bag Catcher (Series 2 Yard Cruiser) .....                      | 24 & 25 |
| 6-0944                | 42" Single Bag Catcher .....  | 26 & 27 |
| 6-1895                | 42" Single Bag Catcher (Yard Cruiser) .....                               | 28 & 29 |
| 6-3318                | 28" & 33" Twin Bag Catcher (European R. E. R.) (replaces 6-1414) .....    | 30 & 31 |
| 6-3281                | 28" & 33" Twin Bag Catcher (replaces 6-0946).....                         | 32 & 33 |
| 6-3046                | 33" Twin Bag Catcher (Yard Cruiser, Series 1).....                        | 34 & 35 |
| 6-3156                | 33" Twin Bag Catcher (Yard Cruiser, Series 2).....                        | 36 & 37 |
| 6-3083                | 38" Twin Bag Catcher (Hydro R. E. R.).....                                | 38 & 39 |
| 6-3047                | 38" Twin Bag Catcher (Series 1 Yard Cruiser).....                         | 40 & 41 |
| 6-3173                | 38" Twin Bag Catcher (Series 2 Yard Cruiser).....                         | 42 & 43 |
| 6-0945                | 41" & 42" Twin Bag Catcher .....  | 44 & 45 |
| 6-3125                | 28" & 33" Clamshell Catcher .....   | 46 & 47 |
| 6-3130                | 38" Clamshell Catcher (Hydro R. E. R.) .....                              | 48 & 49 |
| <b>Wagons/Carts</b>   |   |         |
| 6-0697                | Dump Cart ( <i>Snapper Kit</i> ) (R. E. R. & Yard Cruiser) .....          | 50 & 51 |
| 6-0734                | Wagon Hitch (Part of Kit #6-0947).....                                    | 52 & 53 |
| 6-0964                | Wagon Cover Assembly (Part of Kit #6-0947).....                           | 54 & 55 |
| 6-0947                | Bag-N-Wagon, 30 Bushel (Complete; incl. all of pages 52 thru 56).....     | 56      |
| 6-1910                | Dump Cart, 10 cu. ft. ( <i>Brinly-Hardy Kit</i> ) (Yard Cruiser) .....    | 57      |

# CONTENTS (continued)

| KIT No.  | DESCRIPTION  | PAGE        |
|--|--|-------------|
| <b>Thatcherizers &amp; Lawn Preparation Kits</b> |  |             |
| 6-0948   | Thatcherizer, 30.5" Wide (Disc Drive RER) .....                            | 58          |
| 6-3120   | Thatcherizer, 30.5" Wide (Hydro R. E. R.) .....                            | 59          |
| 6-1914   | 36" Dethatcher ( <i>Brinly-Hardy Kit</i> ) (Yard Cruiser).....             | 60          |
| 6-1912   | 40" Dethatcher ( <i>Brinly-Hardy Kit</i> ) (Yard Cruiser).....             | 61          |
| 6-1913   | 36" Lawn Sweeper ( <i>Brinly-Hardy Kit</i> ) (Yard Cruiser) .....          | 62 & 63     |
| 6-1911   | 36" Spiker Aerator ( <i>Brinly-Hardy Kit</i> ) (Yard Cruiser) .....        | 64          |
| 6-1915   | 24" x 36" Poly Lawn Roller ( <i>Brinly-Hardy Kit</i> ) (Yard Cruiser)..... | 65          |
| 6-1916   | Broadcast Spreader ( <i>Brinly-Hardy Kit</i> ) (Yard Cruiser) .....        | 66          |
| <b>Deck Assemblies</b>                           |  |             |
| Various  | Deck Assemblies (R. E. R. & Yard Cruiser).....                             | 69          |
| <b>Gage Wheels</b>                               |  |             |
| 6-1400   | Gage Wheel (28" & 33" Deck) .....  | 70          |
| 6-0737   | Gage Wheel (33" Deck) .....  | 70          |
| 6-3128   | Wheel Bracket, Anti-Scalp (48" Deck) (Yard Cruiser).....                   | 70          |
| 6-1157   | Gage Wheel (30" Deck) .....  | 67          |
| 6-0794   | Gage Wheel (41" & 42" Deck).....   | 67          |
| <b>Tires and Tire Chains</b>                     |  |             |
| 6-0357   | Tire Chain (16 x 6.50-8" Tire) .....                                       | 73          |
| 6-1822   | Tire Chain (16 x 7.50-8" Tire) .....                                       | 73          |
| 6-0358   | Tire Chain (4.8 x 4.00-8" Tire) .....                                      | 73          |
| 6-3069   | All Terrain Chevron Style Tire (Yard Cruiser).....                         | 73          |
| <b>Drive Components and Systems</b>              |  |             |
| 6-0441   | Rear Fenders & Axle Bearing (Ball Bearing Type) .....                      | 75          |
| 6-0411   | Differential (Bushing Type).....   | 76 & 77     |
| 6-0662   | Differential (8 Pinion Type) .....   | 76 & 77     |
| 6-0412   | Long and Short Axle.....   | 78          |
| 6-0601   | Smooth Clutch .....  | 80 & 81     |
| 6-0242   | Hub (pre-smooth clutch).....   | 84          |
| 6-0278   | Right Hand Fender Bearing .....  | 85          |
| 6-3063   | Ground Speed Acceleration (Yard Cruiser Series 0).....                     | 89          |
| <b>Exhaust Components and Heat Shields</b>       |  |             |
| 6-3035   | Debris Shield (Yard Cruiser Series 0) .....                                | 88          |
| Various  | Mufflers & Muffler Kits .....  | 90 Thru 97  |
| <b>Electrical Components</b>                     |  |             |
| 6-3064   | Interlock Module (Briggs, Series 14 & earlier) .....                       | 86          |
| 6-3065   | Interlock Module (Tecumseh/Kohler, Series 14 & earlier) .....              | 87          |
| Various  | Battery & Battery Kits.....  | 98 Thru 100 |
| <b>Miscellaneous</b>                             |  |             |
| 6-0197   | Front Load Carrier .....   | 67          |
| 6-0959   | Snow Plow 36" .....  | 68          |
| 6-0361   | Deck Baffle (42113S RER).....  | 69          |
| 6-3071   | Steering Stop (M Series 17 & 19) .....                                     | 74          |
| 6-3062   | Deck Left Hand Side Rail Replacement.....                                  | 78          |
| 6-1848   | Spindle/Belt Cover .....   | 79          |
| 6-1975   | Idler Pulley & Drive Belt .....  | 79          |
| 6-0571   | Automatic Blade Stop .....   | 82 & 83     |
| 6-1803   | Lift Arm (For outboard chain deck hanging system) .....                    | 84          |
| 6-0950   | Steering Wheel Conversion .....  | 85          |
| 6-0341   | Inboard Gas Tank .....   | 88          |
| 6-3127   | 38" Idler Arm Kit (38" Yard Cruiser).....                                  | 89          |
| 3-2392   | Smooth Clutch Tool .....   | 101         |
| 6-0325   | Aluminum Drive Disc Puller.....  | 101         |
| 6-0747   | Steel Drive Disc Puller.....   | 102         |
| 6-0327   | Wheel Hub Puller .....   | 102         |
| 6-0462   | Belt Idler (42113S RER) .....  | 103         |

NOTE: Unless otherwise indicated kits are used on Standard (Non-Hydro) Rear Engine Riders.

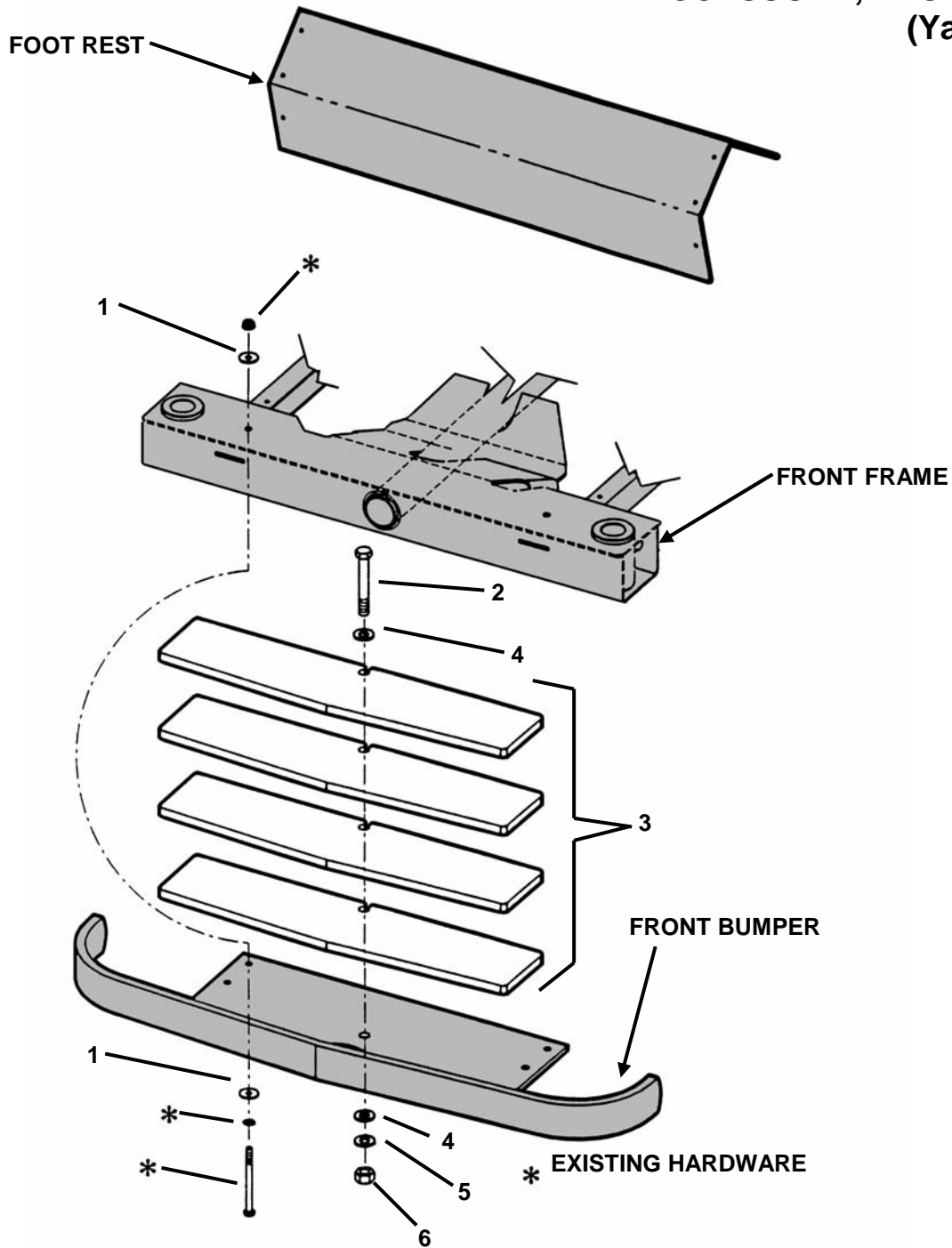
# ACCESSORY, FRONT WEIGHT (Standard R. E. R.)



| ITEM | PART NO. | DESCRIPTION                                      |
|------|----------|--|
| -    | 6-3311   | KIT, Front Weight (Includes Items 1 Thru 5)      |
| 1    | 7-4216   | WEIGHTS (6)                                      |
| 2    | 9-1560   | SCREW, 3/8-16 x 2-1/4" Hex Head Cap, Grade 5 (2) |
| 3    | 9-1320   | WASHER, 3/8" Split Lock (2)                      |
| 4    | 9-1302   | NUT, 3/8-16 Hex, Grade 5 or B (2)                |
| 5    | 2-1746   | WASHER, 3/8" Flat (2)                            |

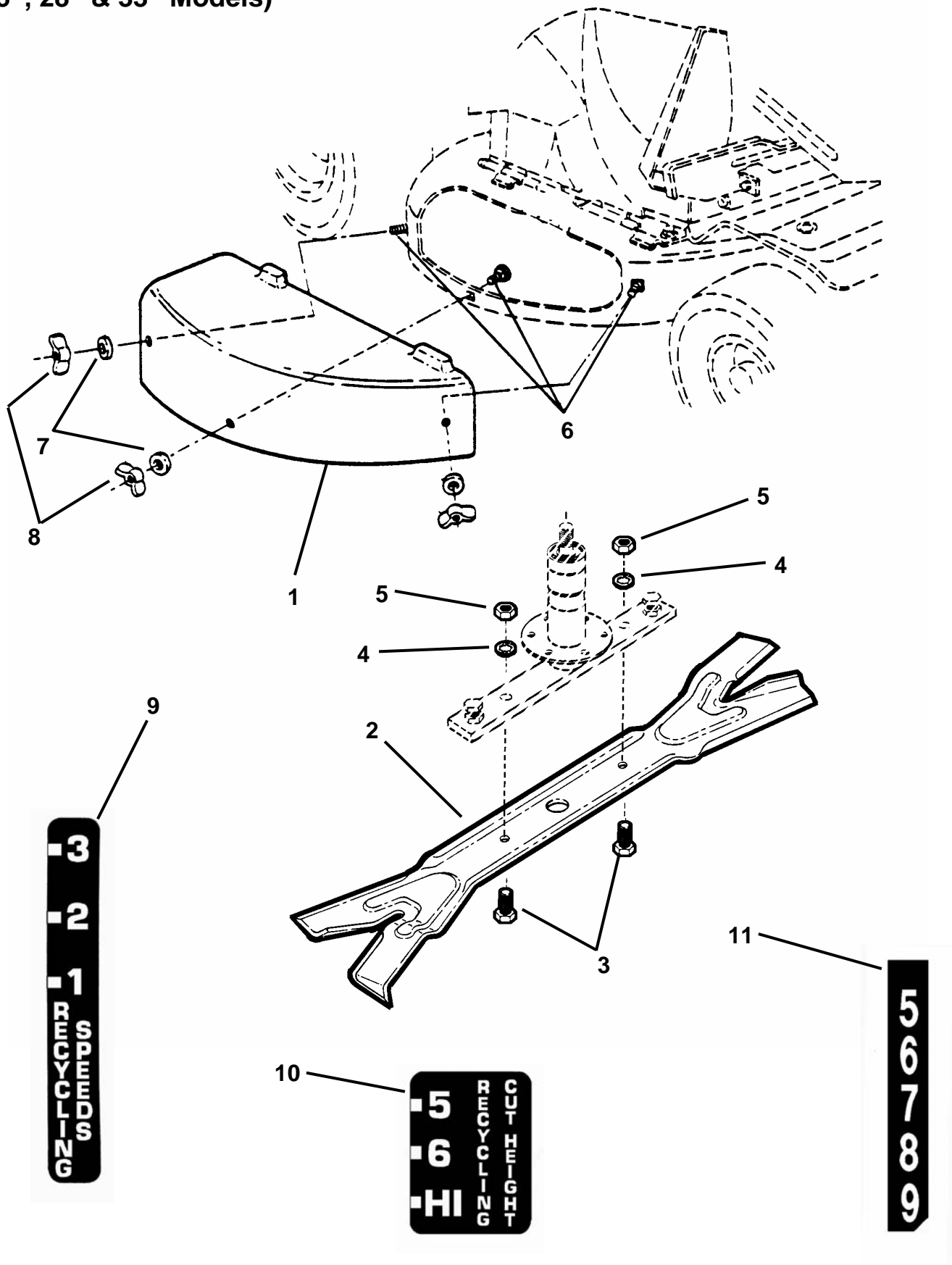
**Used on all Series 7 and newer Riders**

# ACCESSORY, FRONT WEIGHT (Yard Cruiser)



| ITEM | PART NO. | DESCRIPTION                                  |
|------|----------|--|
| -    | 6-3039   | KIT, Front Weight (Includes Items 1 Thru 6)  |
| 1    | 1-1763   | WASHER, 5/16" Fender (4)                     |
| 2    | 2-6826   | SCREW, 1/2-13 x 3-1/4" Hex Head Cap, Grade 5 |
| 3    | 4-6447   | WEIGHT, Ballast (4)                          |
| 4    | 9-0250   | WASHER, 1/2" SAE (2)                         |
| 5    | 9-0254   | WASHER, 1/2" Split Lock                      |
| 6    | 9-1316   | NUT, 1/2-13 Hex, Grade B                     |

**ACCESSORY, (NINJA) RECYCLING  
(25", 28" & 33" Models)**



## ACCESSORY, (NINJA) RECYCLING (25" Standard R. E. R.)

| ITEM | PART NO. | DESCRIPTION  |
|------|----------|--|
| -    | 6-1823   | KIT, Ninja Recycling (25" Models) (Includes Items 1 Thru 11) |
| 1    | 1-6968   | COVER, Side Chute (25" Models)                               |
| 2    | 2-9143   | BLADE, 28" Ninja (Quad Edge)                                 |
| 3    | 9-0392   | SCREW, 1/2-20 x 1" Hex Head Cap (Grade 5) (2)                |
| 4    | 9-0509   | WASHER, 1/2" Internal Tooth Lock (2)                         |
| 5    | 9-0559   | NUT, 1/2-20 Hex Jam (2)                                      |
| 6    | 9-0001   | BOLT, 5/16-18 x 3/4" Short Neck Carriage (Grade 5) (3)       |
| 7    | 9-0188   | WASHER, 5/16" Flat (3)                                       |
| 8    | 9-0492   | NUT, 5/16-18 Wing (3)  |
| 9    | 1-7176   | DECAL, Recycling Ground Speeds                               |
| 10   | 1-7328   | DECAL, Recycling Height of Cut                               |
| 11   | 2-2325   | DECAL, Cut Height  |

**NOTE: Kit # 6-1049 is identical to 6-1823 except for using the single edge recycling blade (part no. 1-6967) instead of the Quad Edge Blade.**

## ACCESSORY, (NINJA) RECYCLING (28" Standard R. E. R.)

| ITEM | PART NO. | DESCRIPTION  |
|------|----------|--|
| -    | 6-1253   | KIT, Ninja Recycling (28" Models) (Includes Items 1 Thru 11) |
| 1    | 1-6983   | COVER, Side Chute (28" Models)                               |
| 2    | 2-6453   | BLADE, 28" Ninja (Quad Edge)                                 |
| 3    | 9-0392   | SCREW, 1/2-20 x 1" Hex Head Cap (Grade 5) (2)                |
| 4    | 9-0509   | WASHER, 1/2" Internal Tooth Lock (2)                         |
| 5    | 9-0559   | NUT, 1/2-20 Hex Jam (2)                                      |
| 6    | 9-0001   | BOLT, 5/16-18 x 3/4" Short Neck Carriage (Grade 5) (3)       |
| 7    | 9-0188   | WASHER, 5/16" Flat (3)                                       |
| 8    | 9-0492   | NUT, 5/16-18 Wing (3)  |
| 9    | 1-7176   | DECAL, Recycling Ground Speeds                               |
| 10   | 1-7328   | DECAL, Recycling Height of Cut                               |
| 11   | 2-2325   | DECAL, Cut Height  |

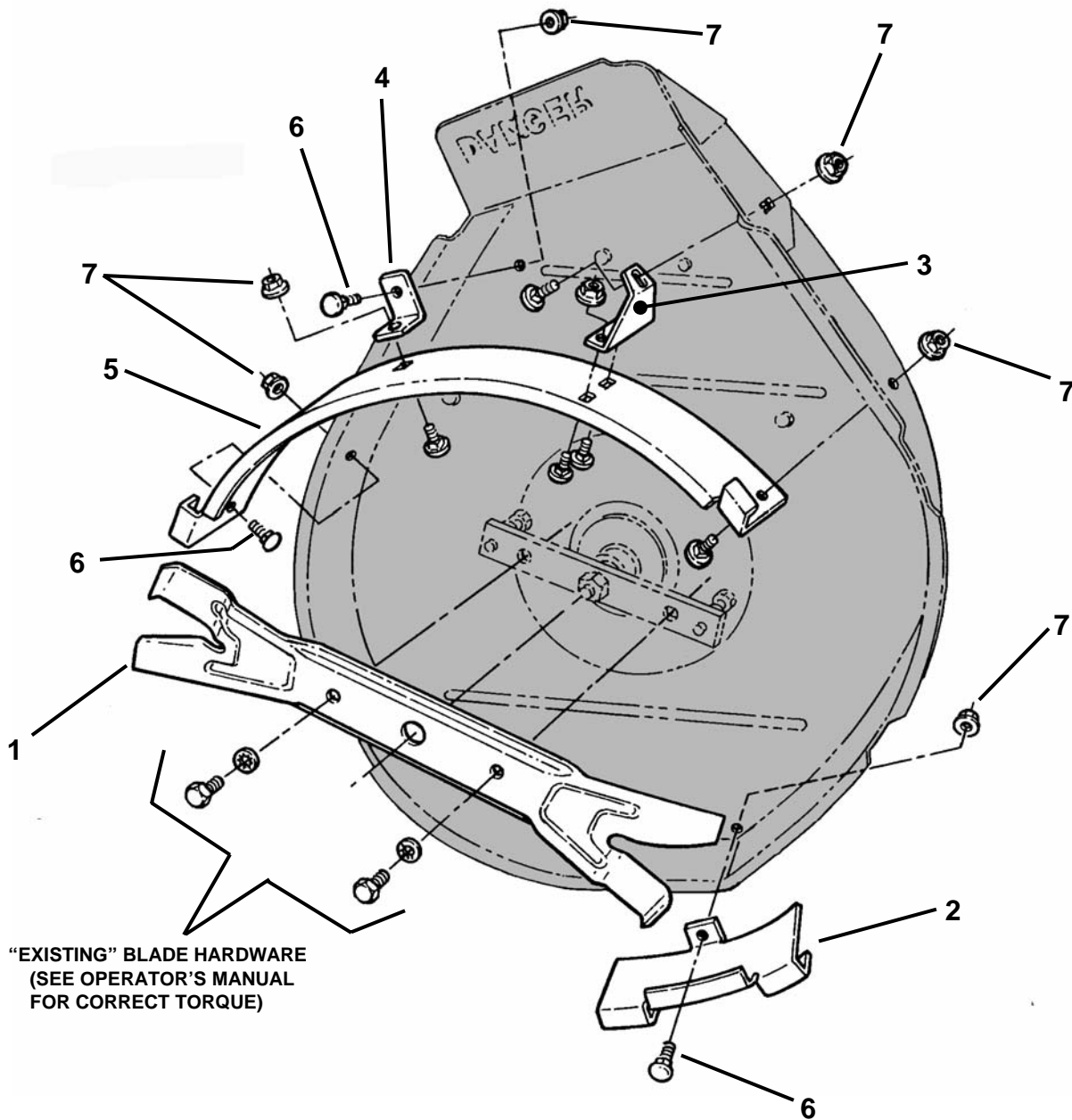
**NOTE: Kit # 6-1050 is identical to 6-1253 except for using the single edge recycling blade (part no. 1-6980) instead of the Quad Edge**

## ACCESSORY, (NINJA) RECYCLING (33" R. E. R. & Yard Cruiser)

| ITEM | PART NO. | DESCRIPTION  |
|------|----------|--|
| -    | 6-1255   | KIT, Ninja Recycling (33" Models) (Includes Items 1 Thru 11) |
| 1    | 1-6984   | COVER, Side Chute (33" Models)                               |
| 2    | 2-4741   | BLADE, 33" Ninja (Quad Edge)                                 |
| 3    | 9-0392   | SCREW, 1/2-20 x 1" Hex Head Cap (Grade 5) (2)                |
| 4    | 9-0509   | WASHER, 1/2" Internal Tooth Lock (2)                         |
| 5    | 9-0559   | NUT, 1/2-20 Hex Jam (2)                                      |
| 6    | 9-0001   | BOLT, 5/16-18 x 3/4" Short Neck Carriage (Grade 5) (3)       |
| 7    | 9-0188   | WASHER, 5/16" Flat (3)                                       |
| 8    | 9-0492   | NUT, 5/16-18 Wing (3)  |
| 9    | 1-7176   | DECAL, Recycling Ground Speeds                               |
| 10   | 1-7328   | DECAL, Recycling Height of Cut                               |
| 11   | 2-2325   | DECAL, Cut Height  |

**NOTE: Kit # 6-1051 is identical to 6-1255 except for using the single edge recycling blade (part no. 1-6982) instead of the Quad Edge**

# ACCESSORY, (NINJA) RECYCLING (30" Standard R. E. R.)

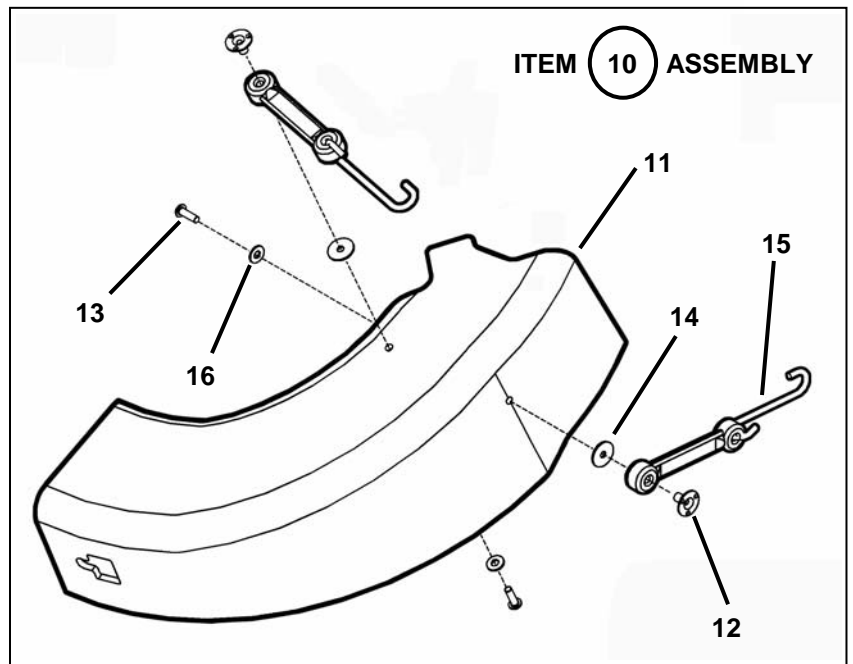
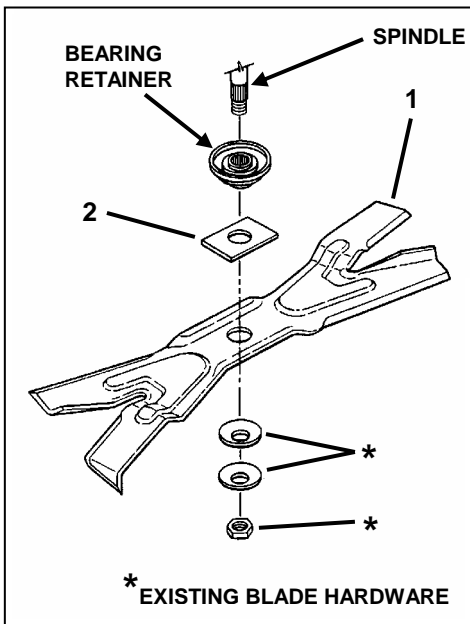
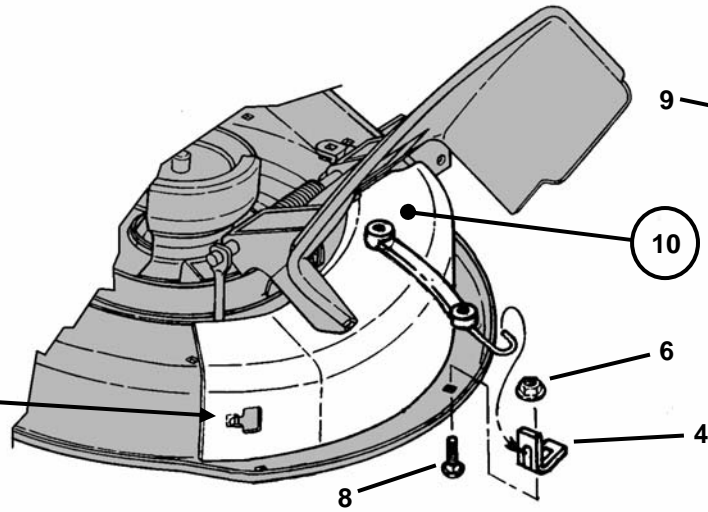
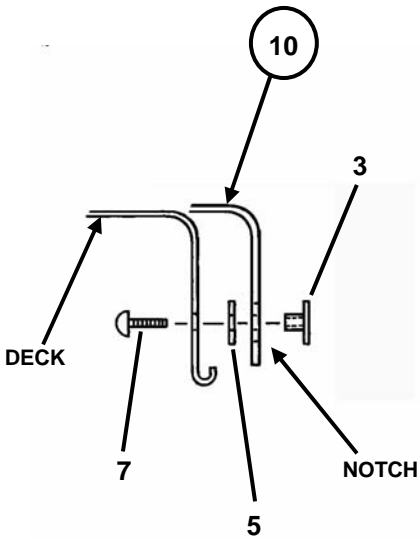


**NOTE: Some 3/8" diameter holes must be drilled to install baffles.  
Refer to kit instructions.**

| ITEM | PART NO. | DESCRIPTION   |
|------|----------|---|
| -    | 6-1254   | KIT, Ninja Recycling (30" Models) (Includes Items 1 Thru 7) |
| 1    | 2-6565   | BLADE, 30" Ninja (Quad Edge)                                |
| 2    | 3-3996   | BAFFLE, 30" Deck  |
| 3    | 3-3997   | ANGLE, Brace  |
| 4    | 3-3998   | ANGLE, Brace  |
| 5    | 3-3999   | BAFFLE, 30" Deck  |
| 6    | 9-1026   | BOLT, 5/16-18 x 5/8" Short Neck Carriage, Grade 5 (8)       |
| 7    | 9-1070   | NUT, 5/16-18 Hex Flange Lock, Grade 5 (8)                   |



# ACCESSORY, (NINJA) RECYCLING (38" Hydro R. E. R & Yard Cruiser)



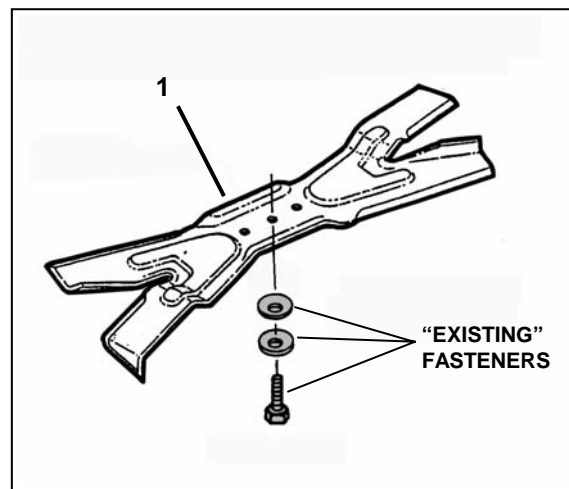
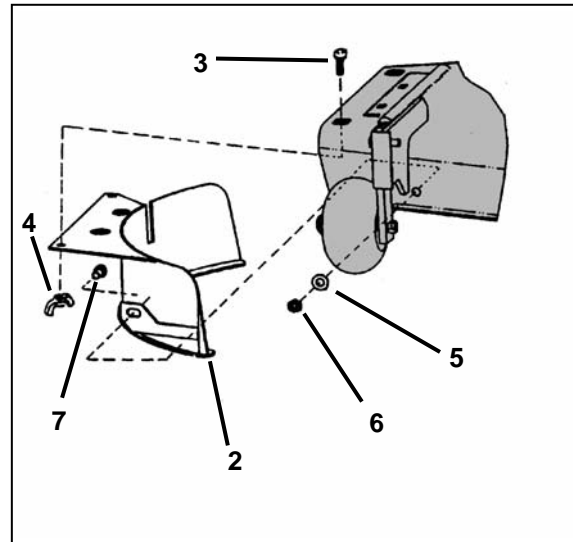
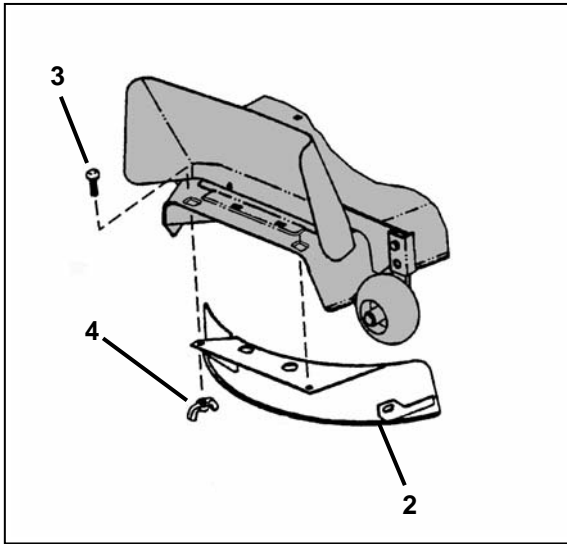
| ITEM | PART NO. |
|------|----------|
| -    | 6-1877   |
| -    | 6-1878   |
| 1    | 2-6597   |
| 2    | 2-6749   |
| 3    | 3-6543   |
| 4    | 4-5178   |
| 5    | 9-1296   |
| 6    | 9-1619   |
| 7    | 9-1833   |
| 8    | 9-1923   |
| 9    | 1-7176   |
| 10   | 5-4334   |
| 11   | 2-9398   |
| 12   | 3-6404   |
| 13   | 3-6415   |
| 14   | 3-6422   |
| 15   | 3-6433   |
| 16   | 9-1552   |
| 17   | 3-6548   |

## DESCRIPTION

- KIT, Wave Recycling (38" Models) (Incl. Items 3 Thru 17)
- KIT, Ninja Recycling (38" Models) (Includes Items 1 Thru 10)
- BLADE, 19-1/2" Ninja (Quad Edge)
- WASHER, Ninja Blade
- TEENUT, 5/16-18
- BRACKET, Strap Mounting
- WASHER, 5/16" Flat
- NUT, 3/8-16 Hex Flange Lock
- SCREW, 5/16-18 x 5/8" Cross Recess Pan Head Nyloc
- BOLT, 3/8-16 x 3/4" Square Neck Carriage
- DECAL, Recycling Ground Speeds
- ASSEMBLY, Mulching Cover & Strap (Incl. items 11 thru 16)
- COVER, Mulching (38" Deck)
- NUT, #10-24 Weld (2)
- SCREW, #10-24 Pan Head Cross Recess (2)
- WASHER, .190 I.D., 3/4" O.D. Flat (2)
- STRAP, Bag Adapter Mounting (2)
- WASHER, .219 I.D., 1/2" O.D. (2)
- BLADE, 19.64" Mulching Wave



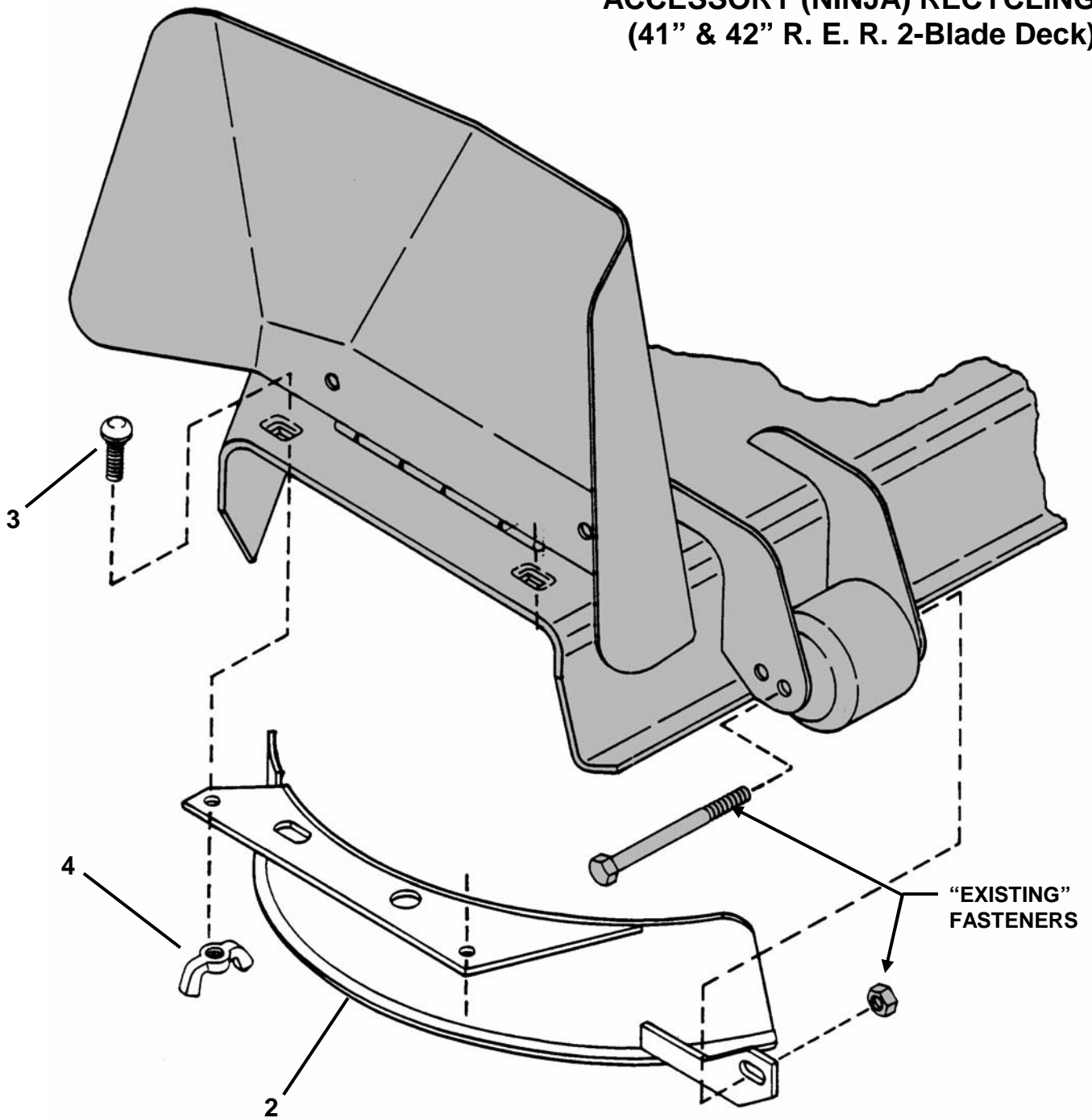
# ACCESSORY (NINJA) RECYCLING (42" R. E. R. & Yard Cruiser)



**NOTE: A 7/16" diameter hole must be drilled to install Mulching Cover.  
Refer to kit instructions.**

| ITEM | PART NO. | DESCRIPTION   |
|------|----------|---|
| -    | 6-1987   | KIT, Ninja Recycling (42" Models) (Includes Items 1 Thru 7) |
| 1    | 2-6407   | BLADE, 21" Ninja (Quad Edge)                                |
| 2    | 4-5087   | WELDMENT, Mulching Cover                                    |
| 3    | 9-0316   | BOLT, 5/16-18 x 3/4" Square Neck Carriage, Grade 5 (2)      |
| 4    | 9-0375   | WING LOCKNUT, 5/16-18 (2)                                   |
| 5    | 9-1514   | WASHER, 3/8" Flat   |
| 6    | 9-1585   | NUT, 3/8-16 Hex Center Lock, Grade 5 or B                   |
| 7    | 9-1588   | BOLT, 3/8-16 x 3/4" Hex Flange Lock, Grade 5                |

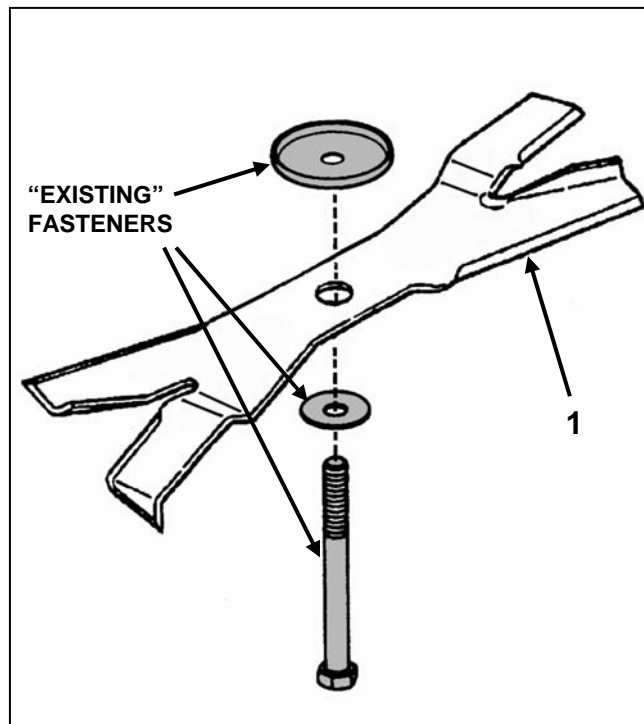
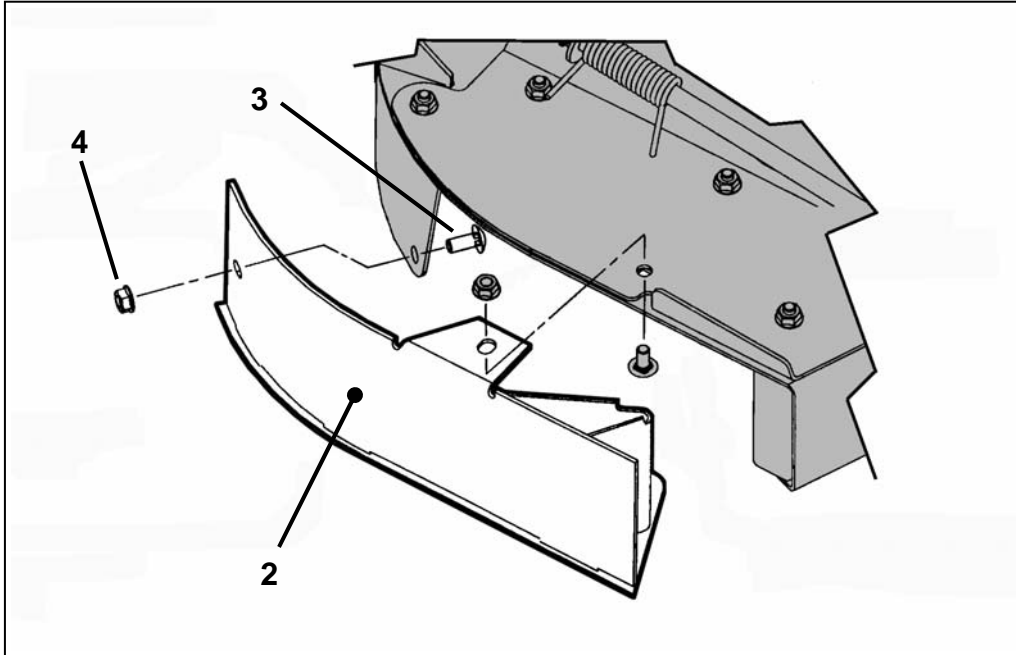
## ACCESSORY (NINJA) RECYCLING (41" & 42" R. E. R. 2-Blade Deck)



**NOTE: This kit is intended for use on 41" or 42" 2-blade non-adjustable roller decks.**

| ITEM | PART NO. | DESCRIPTION   |
|------|----------|---|
| -    | 6-1220   | KIT, Ninja Recycling (41"/42" Models) (Includes Items 1 Thru 4) |
| 1    | 2-4234   | BLADE, Ninja II (Quad Edge) (not shown)                         |
| 2    | 4-1372   | WELDMENT, Mulching Cover  |
| 3    | 9-0316   | BOLT, 5/16-18 x 3/4" Square Neck Carriage, Grade 5 (2)          |
| 4    | 9-0375   | WING LOCKNUT, 5/16-18 (2)                                       |

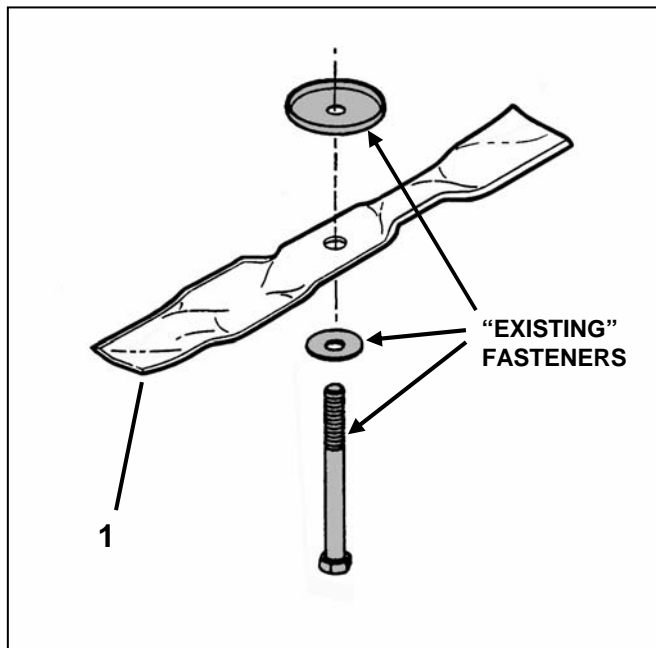
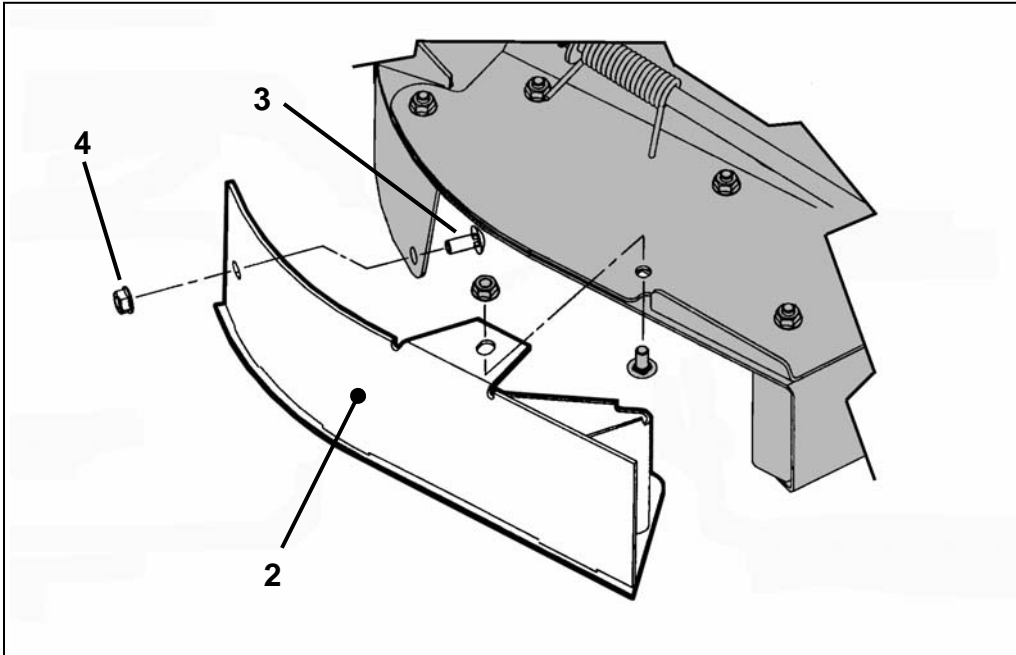
# ACCESSORY (NINJA) MULCHING (48" Yard Cruiser)



**NOTE: A 11/32" diameter hole must be drilled to install Mulching Cover.  
Refer to kit instructions.**

| ITEM | PART NO. | DESCRIPTION   |
|------|----------|---|
| -    | 6-3087   | KIT, (Includes Items 1 Thru 4)                        |
| 1    | 2-4868   | BLADE, Ninja (Quad Edge, 5/8" Hole, 16-1/2" Long) (3) |
| 2    | 5-8276   | WELDMENT, Mulching Cover                              |
| 3    | 9-1508   | BOLT, 5/16-18 x 3/4" Short Neck Carriage, Grade 5     |
| 4    | 9-1601   | NUT, 5/16-18 Hex Flange Lock, Grade 5                 |

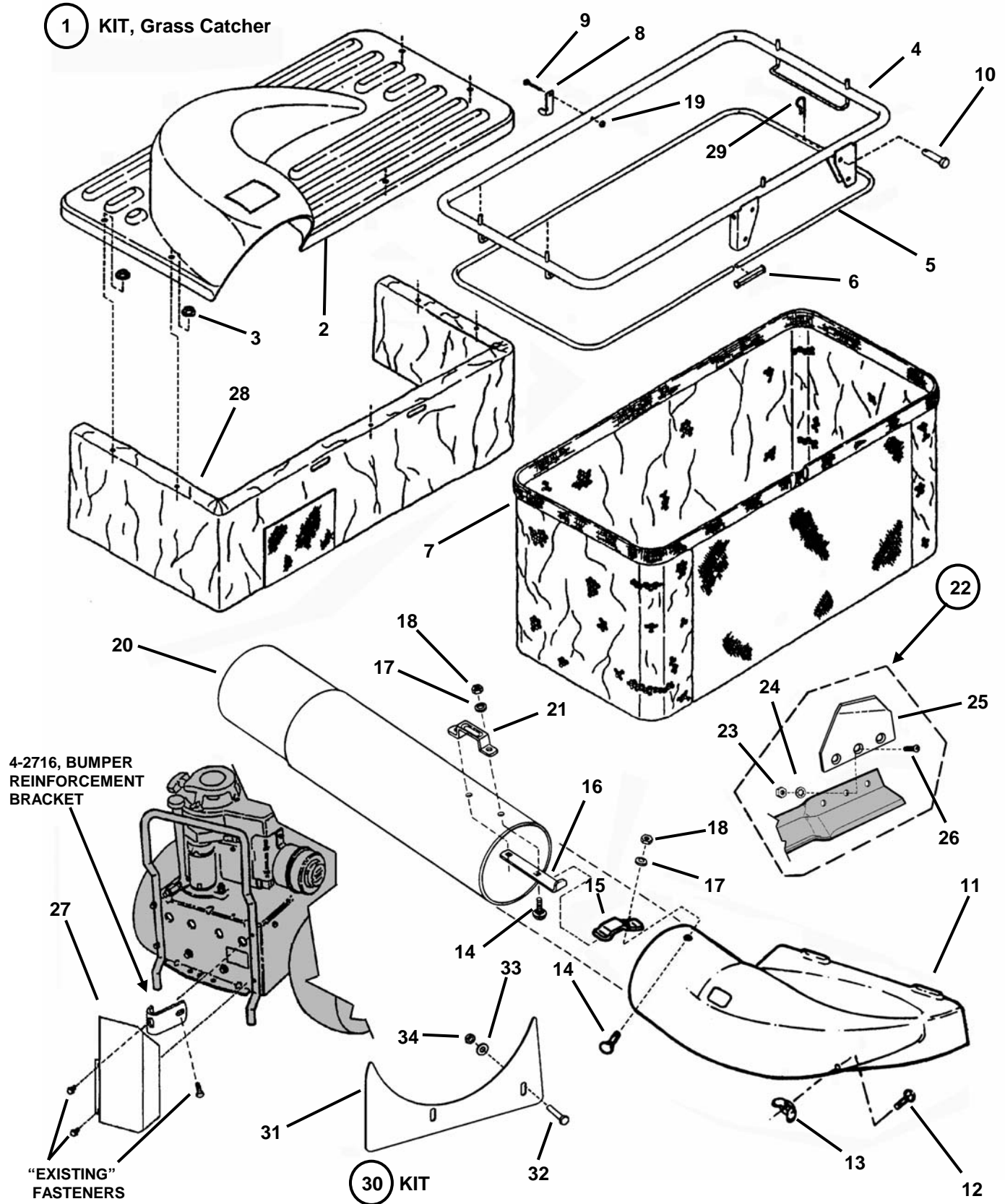
## ACCESSORY (WAVE) MULCHING (48" Yard Cruiser)



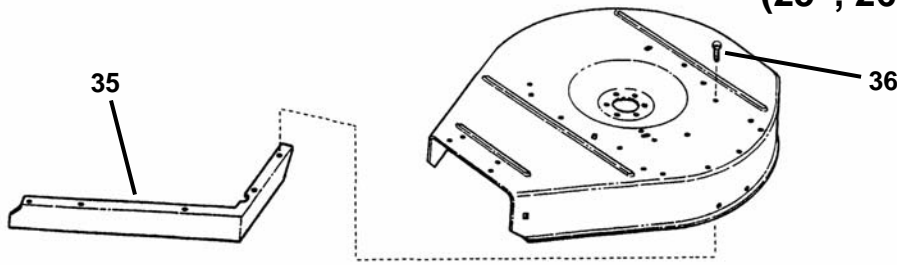
**NOTE: A 11/32" diameter hole must be drilled to install Mulching Cover.  
Refer to kit instructions.**

| ITEM | PART NO. | DESCRIPTION  |
|------|----------|--|
| -    | 6-3110   | KIT, (Includes Items 1 Thru 4)                                 |
| 1    | 7-3287   | BLADE, Mulching (Positive Wave, 5/8" Hole, 16-1/2" Length) (3) |
| 2    | 5-8276   | WELDMENT, Mulching Cover                                       |
| 3    | 9-1508   | BOLT, 5/16-18 x 3/4" Short Neck Carriage, Grade 5              |
| 4    | 9-1601   | NUT, 5/16-18 Hex Flange Lock, Grade 5                          |

# ACCESSORY SINGLE BAG CATCHER (25", 26", 28", 30" & 33" Models)



## ACCESSORY SINGLE BAG CATCHER (25", 26", 28", 30" & 33" Models)



| ITEM | PART NO. | DESCRIPTION  |
|------|----------|--|
| 1    | 6-0941   | KIT, Grass Catcher (25" Models) (Includes Items 2 Thru 36)             |
| --   | 6-1954   | KIT, Grass Catcher (26" & 30" Models) (Includes Items 2 Thru 36)       |
| --   | 6-0943   | KIT, Grass Catcher (28" & 33" Models) (Includes Items 2 Thru 36)       |
| 2    | 5-1947   | TOP, Container (25" Models) (Includes Decal No. 1-1910)                |
| --   | 5-1948   | TOP, Container (26", 28", 30", 33" Models) (Includes Decal No. 1-1910) |
| 3    | 2-9840   | WASHER, Faceted (5)  |
| 4    | 4-7973   | FRAME, Weldment  |
| 5    | 5-7248   | ROD, Bag (Includes Item 6) <b>DECAL 1-1910</b>                         |
| 6    | 1-2556   | CONNECTOR, Bag Rod   |
| 7    | 1-9251   | BAG, Grass (Includes Item 3)   |
| 8    | 3-1725   | LATCH, Top   |
| 9    | 9-0532   | SCREW, #10-32 x 1-3/8" Hex Head Machine                                |
| 10   | 2-9841   | PIN, 5/16 x 1-11/16" Clevis (2)  |
| 11   | 5-7817   | ADAPTER, Deck (Includes 4-6720 Decal) (25" Models)                     |
| --   | 1-9912   | ADAPTER, Deck (28" & 33" Models)                                       |
| --   | 5-1663   | ADAPTER, Deck (Includes 4-6720 Decal) (26" & 30" Models)               |
| 12   | 9-1303   | BOLT, 5/16-18 x 1" Short Neck Carriage, Grade 5                        |
| 13   | 9-0375   | NUT, 5/16-18 Wing  |
| 14   | 9-1530   | BOLT, 1/4-20 x 3/4" Short Neck Carriage, Grade 5 (4)                   |
| 15   | 3-1951   | LATCH, Tube  |
| 16   | 3-1952   | BASE, Handle   |
| 17   | 9-1314   | WASHER, 1/4 Internal Tooth Lock (4)                                    |
| 18   | 9-1576   | NUT, 1/4-20 Hex (4)  |
| 19   | 9-0376   | NUT, #10-32 Hex Lock   |
| 20   | 1-4517   | TUBE, Grass (36" long)   |
| --   | 1-4750   | TUBE, Grass (31-1/2' long) (25" Deck) (not shown)                      |
| 21   | 3-7745   | HANDLE, Tube   |
| *22  | 6-0480   | KIT, Air Lift (Includes Items 23 Thru 26) (25" Models)                 |
| --   | 6-0735   | KIT, Air Lift (Includes Items 23 Thru 26) (26" & 30" Models)           |
| 23   | 9-0223   | NUT, 5/16-24 Hex (6)   |
| 24   | 9-0391   | WASHER, 5/16" Internal Tooth Lock (6)                                  |
| 25   | 3-7723   | AIR-LIFT (2) (25", 28", & 33" Models)                                  |
| --   | 3-1724   | AIR-LIFT (2) (26" & 30" Models)  |
| 26   | 9-0228   | SCREW, 5-16-24 x 11/16" Machine (6)                                    |
| 27   | 7-1677   | SHIELD, Muffler Heat (8 HP Engines)                                    |
| 28   | 1-6108   | DUST SKIRT   |
| 29   | 9-1503   | PIN, 3/32 x 1-1/2" Hair (2)  |
| 30   | 6-3289   | KIT, Catcher Debris Shield (Includes Items 31 Thru 34)                 |
| 31   | 6-3287   | SHIELD, Debris   |
| 32   | 9-0909   | BOLT, 1/4-20 x 1-1/2" Hex (2)  |
| 33   | 9-1294   | WASHER, 1/4" Flat (2)  |
| 34   | 9-1705   | NUT, 1/4-20 Hex Top Lock (2)   |
| 35   | 3-5297   | BAFFLE, 30" Deck (for decks without welded in baffle)                  |
| 36   | 9-0858   | SCREW, 5/16-18 Hex Washer Self-Tap (5)                                 |

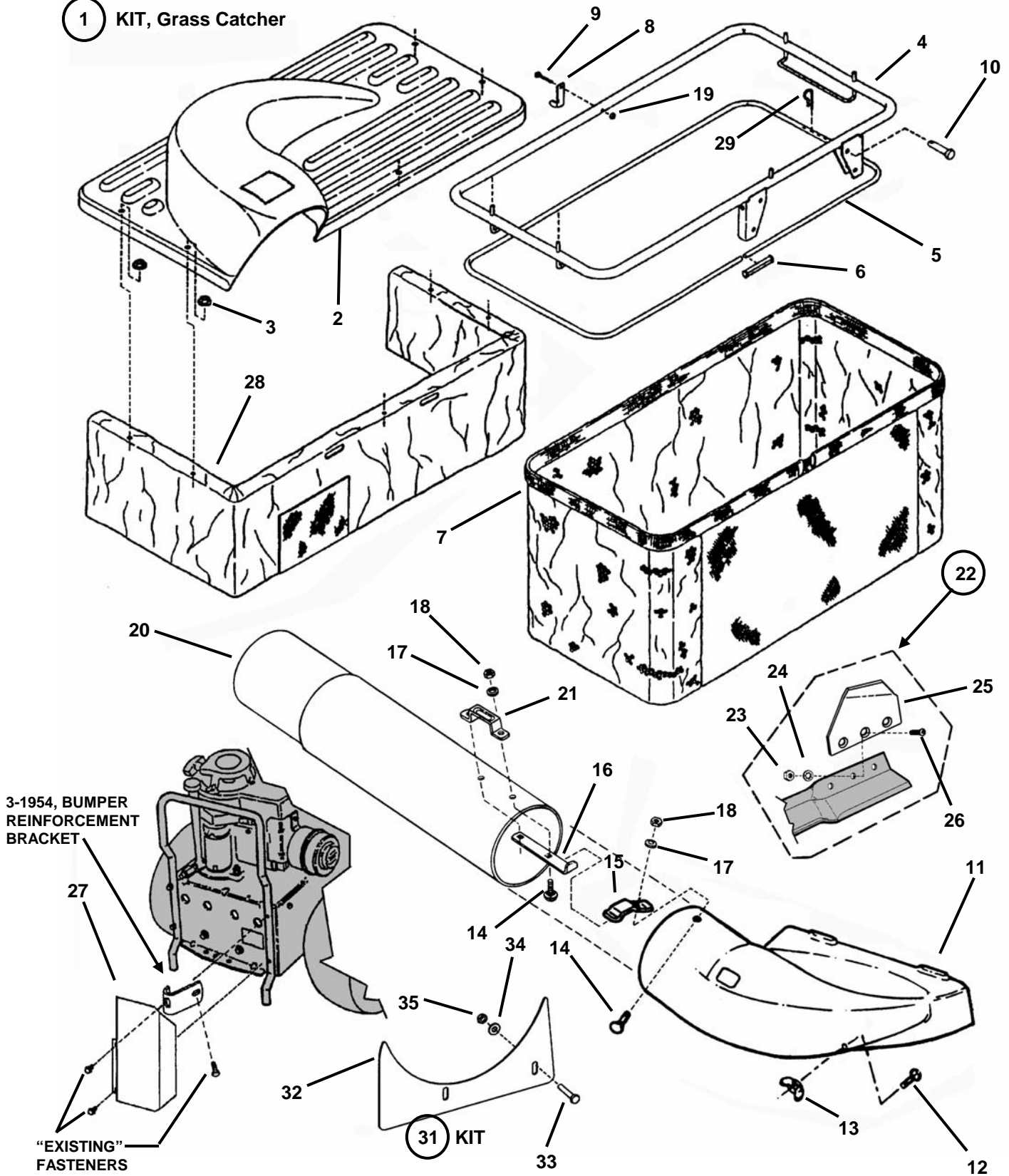


**DECAL 4-6720**

**\*NOTE: This Air Lift Kit Is Not Included in Kit #6-0943 Order Separately.  
(Use Air Lift Kit #6-0480 For 28" & 33" Models.)**

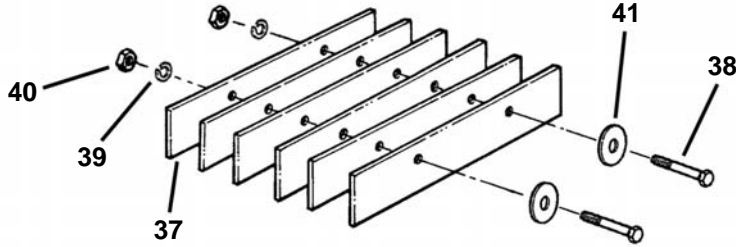
# ACCESSORY SINGLE BAG CATCHER (28" & 33" European R. E. R. Models)

1 KIT, Grass Catcher





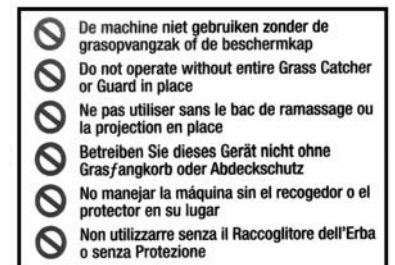
# ACCESSORY SINGLE BAG CATCHER (28" & 33" European R. E. R. Models)



| ITEM | PART NO. | DESCRIPTION  |
|------|----------|--|
| 1    | 6-3317   | KIT, Grass Catcher (28" & 33") Models (Includes Items 2 Thru 41) |
| 2    | 5-3667   | TOP, Container (Includes Decal Nos. 1-1910 & 2-9784)             |
| 3    | 2-9840*  | WASHER, 5/16" Faceted (5)  |
| 4    | 4-7973   | FRAME, Weldment  |
| 5    | 3-7758   | ROD, Bag (Includes Item 6)                                       |
| 6    | 1-2556*  | CONNECTOR, Bag Rod   |
| 7    | 1-9251   | BAG, Grass (Includes Item 3)                                     |
| 8    | 3-1725*  | LATCH, Top   |
| 9    | 9-0532*  | SCREW, #10-32 x 1-3/8" Hex Head Machine                          |
| 10   | 2-9841*  | PIN, 5/16 x 1-11/16" Clevis (2)                                  |
| 11   | 5-3669   | ADAPTER, Deck (Includes 2-9784 Decal) (28" & 33" Models)         |
| 12   | 9-1303*  | BOLT, 5/16-18 x 1" Short Neck Carriage, Grade 5                  |
| 13   | 9-1537*  | WING LOCK NUT, 5/16-18   |
| 14   | 9-1530*  | BOLT, 1/4-20 x 3/4" Short Neck Carriage, Grade 5 (3)             |
| 15   | 3-1951*  | LATCH, Tube  |
| 16   | 3-1952*  | BASE, Handle   |
| 17   | 9-1314*  | WASHER, 1/4 Internal Tooth Lock (3)                              |
| 18   | 9-1576*  | NUT, 1/4-20 Hex (3)  |
| 19   | 9-0376*  | NUT, #10-32 Hex Lock   |
| 20   | 1-4517   | TUBE, Grass (36" long)   |
| 21   | 3-7745*  | HANDLE, Tube   |
| 22   | 6-1777   | KIT, Air Lift (Includes Items 23 Thru 26)                        |
| 23   | 9-0223   | NUT, 5/16-24 Hex (6)   |
| 24   | 9-0391   | WASHER, 5/16" Internal Tooth Lock (6)                            |
| 25   | 3-4468   | AIR-LIFT (2)   |
| 26   | 9-0228   | SCREW, 5-16-24 x 11/16" Machine (6)                              |
| 27   | 7-1677   | SHIELD, Muffler Heat (8 HP Engines)                              |
| 28   | 1-6108   | DUST SKIRT   |
| 29   | 9-1503*  | PIN, 3/32 x 1-1/2" Hair (2)                                      |
| 30   | 3-1954   | REINFORCEMENT, Bumper  |
| 31   | 6-3289   | KIT, Catcher Debris Shield (Incl. 32 Thru 35)                    |
| 32   | 6-3287   | SHIELD, Debris   |
| 33   | 9-0909   | BOLT, 1/4-20 x 1-1/2" Hex (2)                                    |
| 34   | 9-1294   | WASHER, 1/4" Flat (2)  |
| 35   | 9-1705   | NUT, 1/4-20 Hex Top Lock (2)                                     |
| 36   | 6-3311   | KIT, Front Weight (Incl. items 37-41)                            |
| 37   | 7-4216   | WEIGHT (6)   |
| 38   | 9-1560   | SCREW, 3/8-16 x 2-1/4" Hex Head Cap (2)                          |
| 39   | 9-1320   | WASHER, 3/8" Split Lock (2)                                      |
| 40   | 9-1302   | NUT, 3/8-16 Hex (2)  |
| 41   | 2-1746   | WASHER, 3/8" Flat (2)  |



DECAL 1-1910

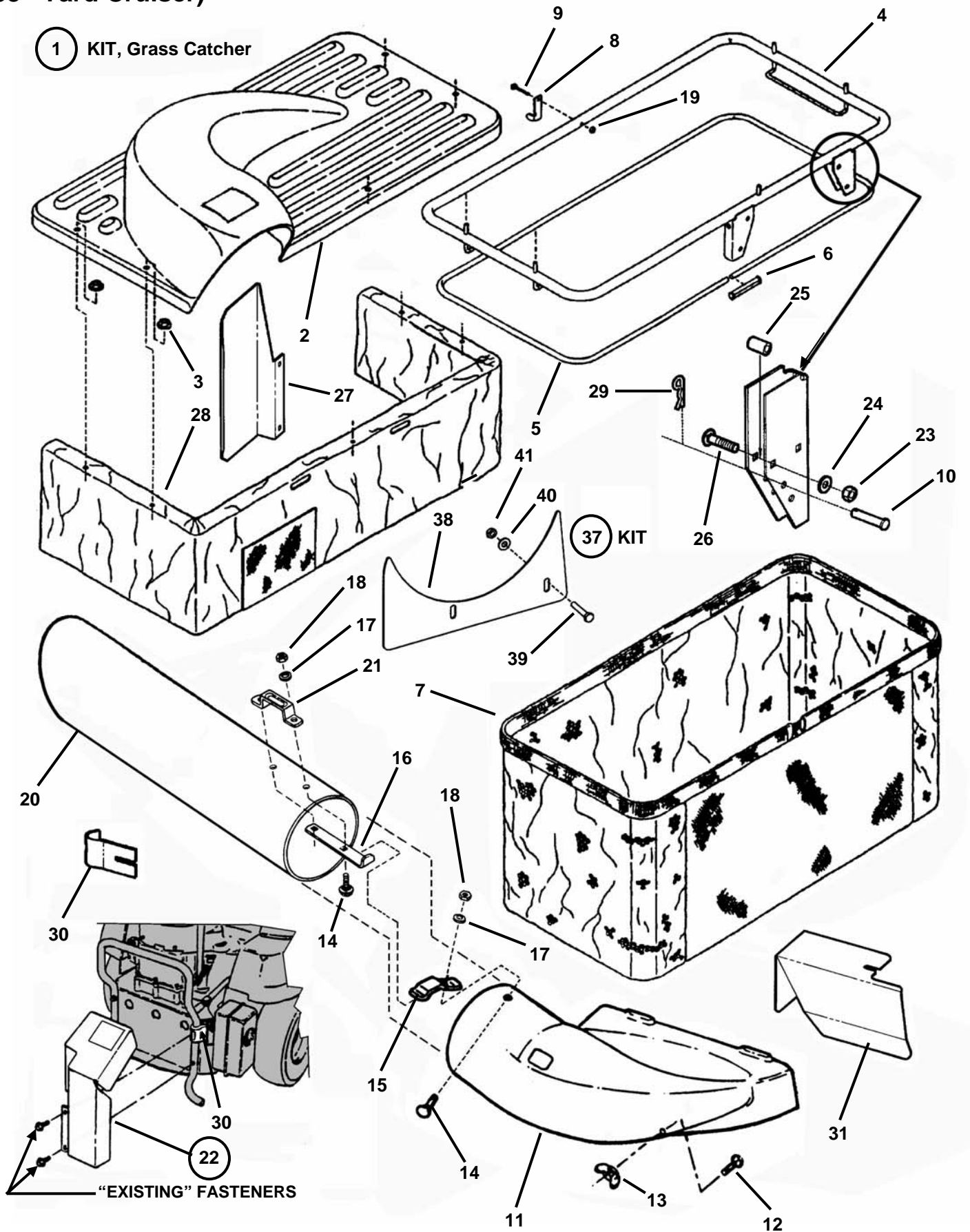


DECAL 2-9784

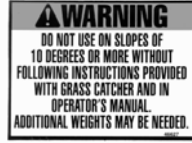
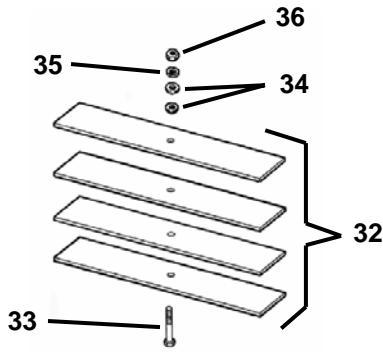
**\*NOTE: The above asterisk marked items are included in Hardware Bag 6-0313.**

# ACCESSORY SINGLE BAG CATCHER (33" Yard Cruiser)

1 KIT, Grass Catcher



# ACCESSORY SINGLE BAG CATCHER (33" Yard Cruiser)



4-6627



4-6720

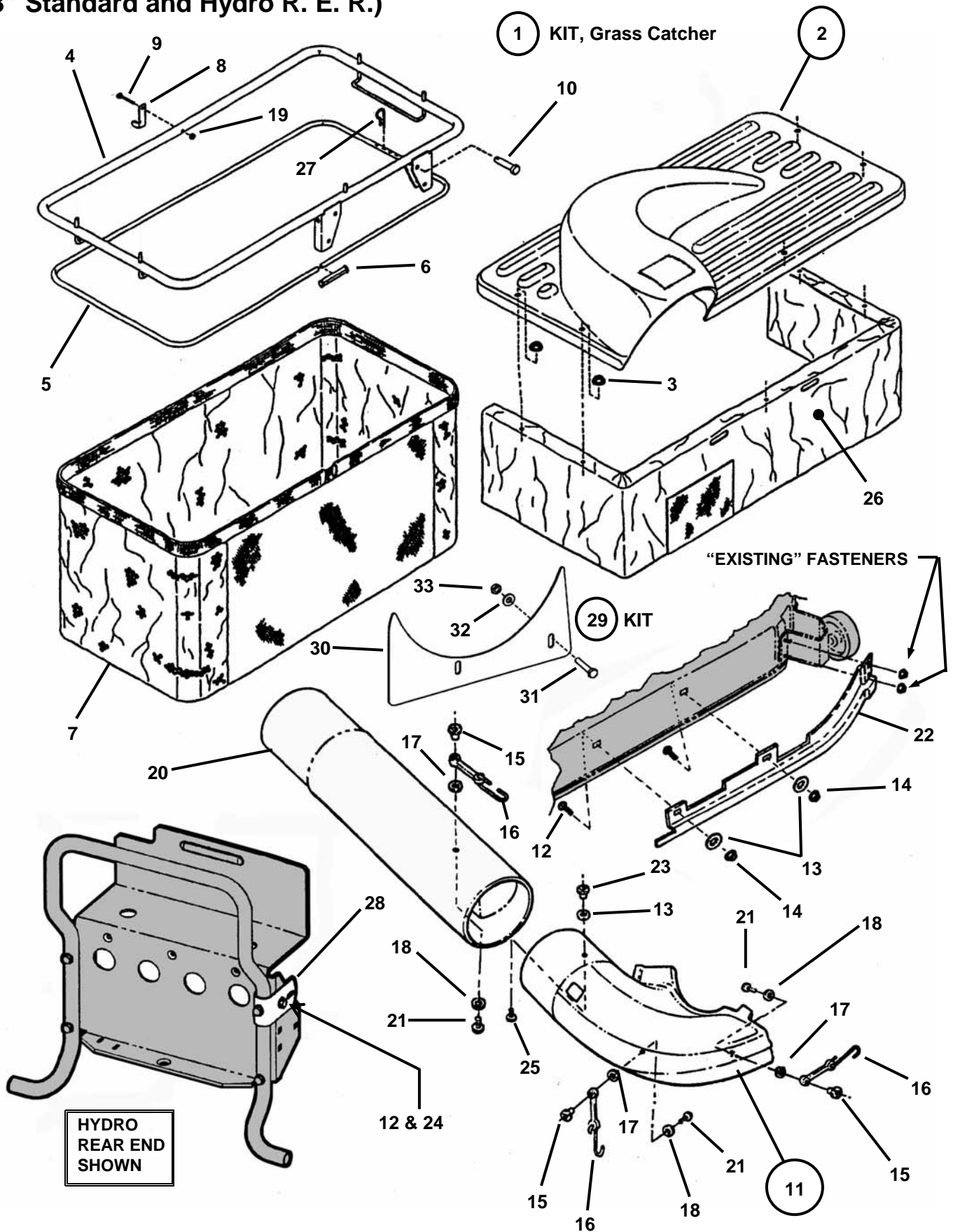


7-1696

| ITEM | PART NO. | DESCRIPTION   |
|------|----------|---|
| 1    | 6-3044   | KIT, Grass Catcher (33" Models, Series 0 & 1) (Incl. Items 2-30 & 37) |
| --   | 6-3157   | KIT, Grass Catcher (33" Models, Series 2) (Includes Items 2 Thru 37)  |
| 2    | 5-7983   | TOP, Container (Includes Decal No. 4-6627)                            |
| 3    | 2-9840*  | WASHER, 5/16" Faceted (5)   |
| 4    | 4-6651   | FRAME, Weldment   |
| 5    | 3-7758   | ROD, Bag  |
| 6    | 1-2556*  | CONNECTOR, Bag Rod  |
| 7    | 1-9251   | BAG, Grass (Includes Item 3)  |
| 8    | 3-1725*  | LATCH, Top  |
| 9    | 9-0532*  | SCREW, #10-32 x 1-3/8" Hex Head Machine                               |
| 10   | 2-9841*  | PIN, 5/16 x 1-11/16" Clevis (2)                                       |
| 11   | 5-7809   | ADAPTER, Deck (Includes 4-6720 Decal)                                 |
| 12   | 9-1303*  | BOLT, 5/16-18 x 1" Short Neck Carriage, Grade 5                       |
| 13   | 9-1537*  | WING LOCK NUT, 5/16-18  |
| 14   | 9-1530*  | BOLT, 1/4-20 x 3/4" Short Neck Carriage, Grade 5 (4)                  |
| 15   | 3-1951*  | LATCH, Tube   |
| 16   | 3-1952*  | BASE, Handle  |
| 17   | 9-1314*  | WASHER, 1/4 Internal Tooth Lock (4)                                   |
| 18   | 9-1576*  | NUT, 1/4-20 Hex (4)   |
| 19   | 9-0376*  | NUT, #10-32 Hex Nyloc   |
| 20   | 4-6614   | TUBE, Grass (45" long)  |
| 21   | 3-7745*  | HANDLE, Tube  |
| 22   | 5-7709   | ASSEMBLY, Debris Shield (Includes Decal No. 7-1696)                   |
| 23   | 9-0184   | NUT, 5/16-18 Hex Center Lock (2)                                      |
| 24   | 9-0188   | WASHER, 5/16" Flat (2)  |
| 25   | 2-3797   | PAD, Bumper Mount   |
| 26   | 9-0577   | BOLT, 5/16-18 x 1-1/2" Square Neck Carriage, Grade 5 (2)              |
| 27   | 7-1677   | SHIELD, Muffler Heat (8 HP Engines)                                   |
| 28   | 7-1679   | DUST SKIRT  |
| 29   | 9-1503*  | PIN, 3/32 x 1-1/2" Hair (2)   |
| 30   | 4-2716   | REINFORCEMENT, Bumper   |
| 31   | 5-8910   | HEAT SHIELD   |
| 32   | 5-8909   | BALLAST (4)   |
| 33   | 9-0588   | SCREW, 3/8-16 Hex Cap   |
| 34   | 9-0122   | WASHER, 3/8" Flat (2)   |
| 35   | 9-0118   | WASHER, 3/8" Split Lock   |
| 36   | 9-0130   | NUT, 3/8-16 Hex   |
| 37   | 6-3289   | KIT, Catcher Debris Shield (Incl. Items 38 thru 41)                   |
| 38   | 6-3287   | SHIELD, Debris  |
| 39   | 9-0909   | BOLT, Hex 1/4-20 x 1-1/2" Hex (2)                                     |
| 40   | 9-1294   | WASHER, 1/4" Flat (2)   |
| 41   | 9-1705   | NUT, 1/4-20 Hex Top Lock (2)  |

**\*NOTE: The above asterisk marked items are included in Hardware Bag 6-3013.**

# ACCESSORY SINGLE BAG CATCHER (38" Standard and Hydro R. E. R.)



## ACCESSORY SINGLE BAG CATCHER (38" Standard and Hydro R. E. R.)

| ITEM | PART NO. | DESCRIPTION  |
|------|----------|--|
| 1    | 6-3082   | KIT, Grass Catcher (38" Models) (Includes Items 2 Thru 29) |
| 2    | 5-7983   | TOP, Container (Includes Decal No. 4-6627)                 |
| 3    | 2-9840*  | WASHER, 5/16" Faceted (5)                                  |
| 4    | 4-2754   | FRAME, Weldment  |
| 5    | 3-7758   | ROD, Bag   |
| 6    | 1-2556*  | CONNECTOR, Bag Rod   |
| 7    | 1-9251   | BAG, Grass (Includes Item 3)                               |
| 8    | 3-1725*  | LATCH, Top   |
| 9    | 9-0532*  | SCREW, #10-32 x 1-3/8" Hex Head Machine                    |
| 10   | 2-9841*  | PIN, 5/16 x 1-11/16" Clevis (2)                            |
| 11   | 5-7810   | ADAPTER, Deck (Includes 4-6720 Decal)                      |
| 12   | 9-1318*  | SCREW, 5/16-18 x 3/4" Hex Head Cap, Grade 5 (3)            |
| 13   | 9-1296*  | WASHER, 11/32" Flat (4)                                    |
| 14   | 9-1575*  | NUT, 5/16-18 Hex Center Lock (2)                           |
| 15   | 3-6404*  | NUT, #10-24 x 5/8" Weld (3)                                |
| 16   | 3-6433*  | STRAP, Mounting Bag Adapter/Tube (3)                       |
| 17   | 3-6422*  | WASHER, 3/16" Flat (3)                                     |
| 18   | 9-1552*  | WASHER, 7/32" Flat (3)                                     |
| 19   | 9-0376*  | NUT, #10-32 Hex Nyloc                                      |
| 20   | 3-9478   | TUBE, Grass (32" long)                                     |
| 21   | 3-6415*  | SCREW, #10-24 x 5/8" Pan Head (3)                          |
| 22   | 4-4726   | BAFFLE, 38" Deck   |
| 23   | 3-6543*  | TEENUT, 5/16-18 (2)  |
| 24   | 9-1601*  | NUT, 5/16-18 Hex Flange Lock, Grade 5                      |
| 25   | 9-1833*  | SCREW, 5/16-18 x 5/8" Cross Recess Pan Head (3)            |
| 26   | 7-1679   | DUST SKIRT   |
| 27   | 9-1503*  | PIN, 3/32 x 1-1/2" Hair (2)                                |
| 28   | 3-1954   | SUPPORT, Bumper  |
| 29   | 6-3289   | KIT, Catcher Debris Shield (Incl. Items 30 Thru 33)        |
| 30   | 6-3287   | SHIELD, Debris   |
| 31   | 9-0909   | BOLT, 1/4-20 x 1-1/2" Hex (2)                              |
| 32   | 9-1294   | WASHER, 1/4" Flat (2)                                      |
| 33   | 9-1705   | NUT, 1/4-20 Hex Top Lock (2)                               |

**\*NOTE: The above asterisk marked items are included in Hardware Bag 7-2234.**

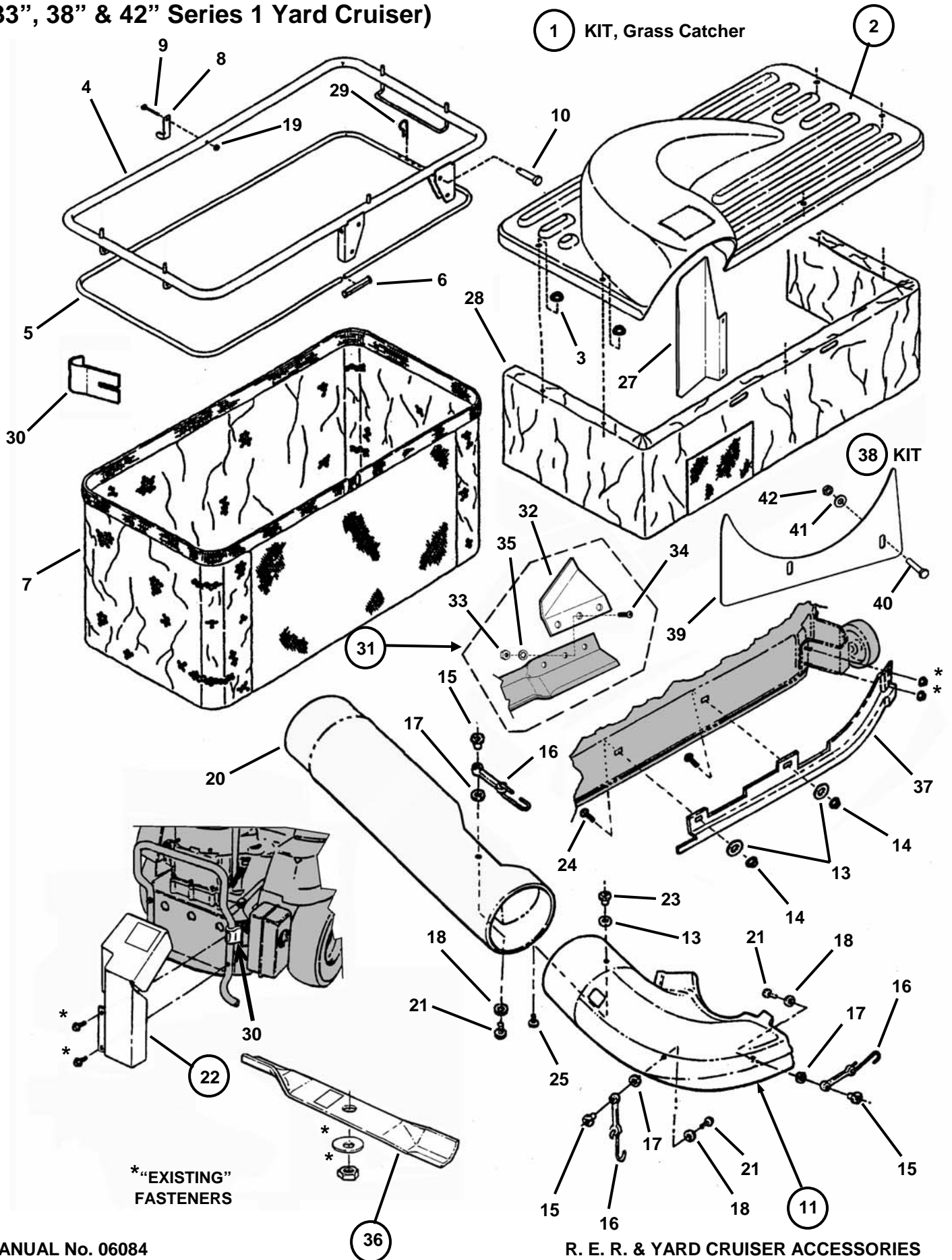


DECAL 4-6627



DECAL 4-6720

# ACCESSORY SINGLE BAG CATCHER (33", 38" & 42" Series 1 Yard Cruiser)



# ACCESSORY SINGLE BAG CATCHER (33" 38" & 42" Series 1 Yard Cruiser)

| ITEM | PART NO. | DESCRIPTION   |
|------|----------|---|
| 1    | 6-3045   | KIT, Grass Catcher (38" Models) (Includes Items 2 Thru 38)  |
| 2    | 5-7983   | TOP, Container (Includes Decal No. 4-6627)  |
| 3    | 2-9840*  | WASHER, 5/16" Faceted (5)   |
| 4    | 4-2754   | FRAME, Weldment   |
| 5    | 3-7758   | ROD, Bag  |
| 6    | 1-2556*  | CONNECTOR, Bag Rod  |
| 7    | 1-9251   | BAG, Grass (Includes Item 3)  |
| 8    | 3-1725*  | LATCH, Top  |
| 9    | 9-0532*  | SCREW, #10-32 x 1-3/8" Hex Head Machine   |
| 10   | 2-9841*  | PIN, 5/16 x 1-11/16" Clevis (2)   |
| 11   | 5-7810   | ADAPTER, Deck (Includes Decal No. 4-6720)   |
| 12   | 9-1303*  | BOLT, 5/16-18 x 1" Short Neck Carriage, Grade 5 (2)   |
| 13   | 9-1296*  | WASHER, 11/32" Flat (7)   |
| 14   | 9-1575*  | NUT, 5/16-18 Hex Center Lock (2)  |
| 15   | 3-6404*  | NUT, #10-24 x 5/8" Weld (3)   |
| 16   | 3-6433*  | STRAP, Mounting Bag Adapter/Tube (3)  |
| 17   | 3-6422*  | WASHER, 3/16" Flat (3)  |
| 18   | 9-1552*  | WASHER, 7/32" Flat (3)  |
| 19   | 9-0376*  | NUT, #10-32 Hex Nyloc   |
| 20   | 4-6615   | TUBE, Grass (37" long)  |
| 21   | 3-6415*  | SCREW, #10-24 x 5/8" Pan Head (3)   |
| 22   | 5-7709   | ASSEMBLY, Debris Shield (Includes Decal No. 7-1696)   |
| 23   | 3-6543*  | TEENUT, 5/16-18 (2)   |
| 24   | 9-1318*  | SCREW, 5/16-18 x 3/4" Hex Head Cap, Grade 5 (2)   |
| 25   | 9-1833*  | SCREW, 5/16-18 x 5/8" Cross Recess Pan Head (3)   |
| 26   | 9-0492*  | NUT, 5/16-18 Wing (3)   |
| 27   | 7-1677   | SHIELD, Muffler Heat (8 HP Engines)   |
| 28   | 7-1679   | DUST SKIRT  |
| 29   | 9-1503*  | PIN, 3/32 x 1-1/2" Hair (2)   |
| 30   | 4-2716   | REINFORCEMENT, Bumper   |
| 31   | 6-0480*  | KIT, Air Lift (Includes Items 32 Thru 35)   |
| 32   | 3-7723   | AIR LIFT (2)  |
| 33   | 9-0223   | NUT, 5/16-24 Hex (6)  |
| 34   | 9-0228   | SCREW, 5/16-24 x 11/16" Oval Head Machine (6)   |
| 35   | 9-0391   | WASHER, 5/16" Internal Tooth Lock (6)   |
| 36   | 5-4514   | ASSEMBLY, High Lift Blade & Decal (Decal No. 4-4686) (2)<br>(blade length: 19.64; hole diameter: .981") |
| 37   | 4-4726   | BAFFLE, 38" Deck MY97   |
| 38   | 6-3289   | KIT, Catcher Debris Shield (Incl. Items 39 Thru 42)   |
| 39   | 6-3287   | SHIELD, Debris  |
| 40   | 9-0909   | BOLT, 1/4-20 x 1-1/2" Hex (2)   |
| 41   | 9-1294   | WASHER, 1/4" Flat (2)   |
| 42   | 9-1705   | NUT, 1/4-20 Hex Top Lock (2)  |

NOT TO BE USED  
WITH ENGINES LESS  
THAN 14 H.P.

**DECAL 4-4686**



**DECAL 4-6720**



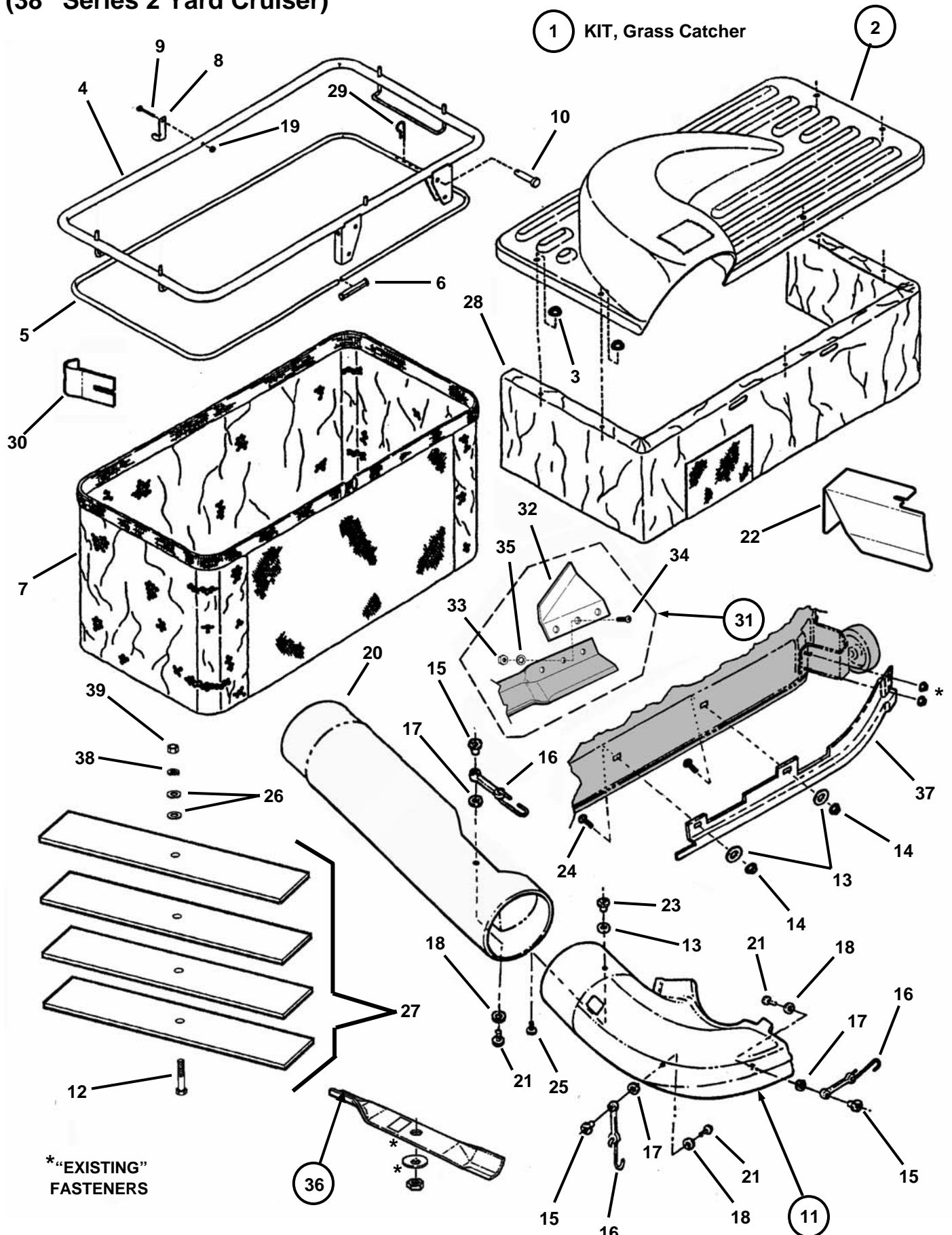
**DECAL 7-1696**



**DECAL 4-6627**

**\*NOTE: The above asterisk marked items are included in Hardware Bag 6-1887.**

# ACCESSORY SINGLE BAG CATCHER (38" Series 2 Yard Cruiser)

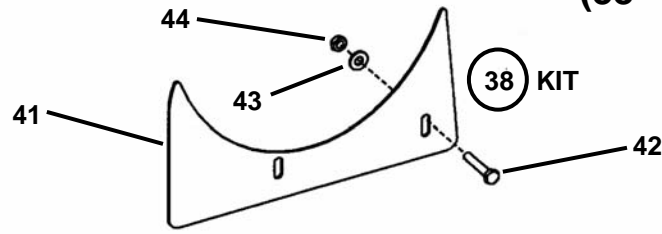


MANUAL No. 06084

R. E. R. & YARD CRUISER ACCESSORIES



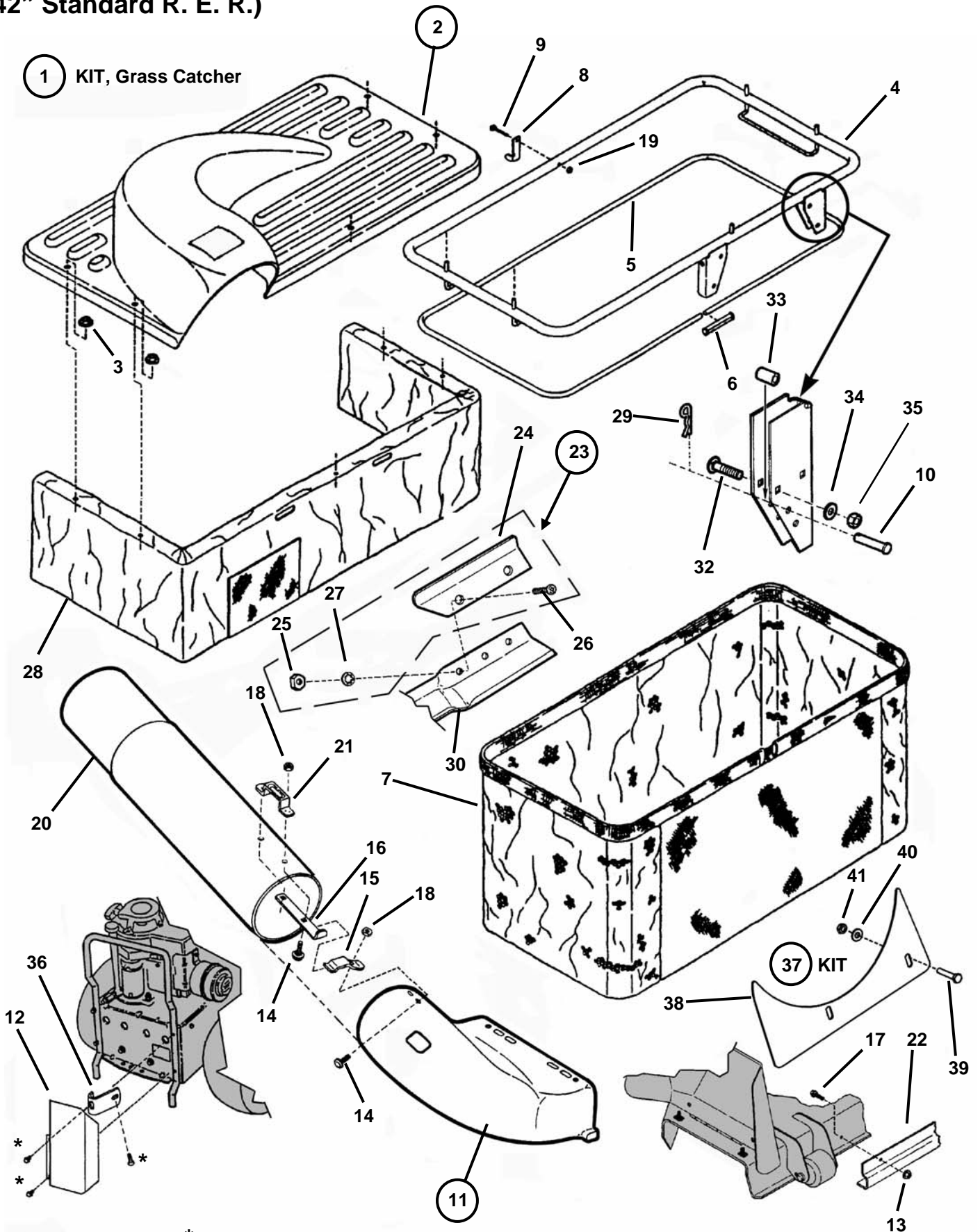
## ACCESSORY SINGLE BAG CATCHER (38" Series 2 Yard Cruiser)



| ITEM | PART NO. | DESCRIPTION  |
|------|----------|--|
| 1    | 6-3172   | KIT, Grass Catcher (38" Models) (Includes Items 2 Thru 40) |
| 2    | 5-7983   | TOP, Container (Includes Decal No. 4-6627)                 |
| 3    | 2-9840*  | WASHER, 5/16" Faceted (5)                                  |
| 4    | 4-2754   | FRAME, Weldment  |
| 5    | 3-7758   | ROD, Bag   |
| 6    | 1-2556*  | CONNECTOR, Bag Rod   |
| 7    | 1-9251   | BAG, Grass (Includes Item 3)                               |
| 8    | 3-1725*  | LATCH, Top   |
| 9    | 9-0532*  | SCREW, #10-32 x 1-3/8" Hex Head Machine                    |
| 10   | 2-9841*  | PIN, 5/16 x 1-11/16" Clevis (2)                            |
| 11   | 5-7810   | ADAPTER, Deck (Includes Decal No. 4-6720)                  |
| 12   | 9-0588*  | SCREW, 3/8-16 x 2" Hex Head Cap, Grade 5                   |
| 13   | 9-0188*  | WASHER, 11/32" Flat (7)                                    |
| 14   | 9-1575*  | NUT, 5/16-18 Hex Center Lock (2)                           |
| 15   | 3-6404*  | NUT, #10-24 x 5/8" Weld (3)                                |
| 16   | 3-6433*  | STRAP, Mounting Bag Adapter/Tube (3)                       |
| 17   | 3-6422*  | WASHER, 3/16" Flat (3)                                     |
| 18   | 9-1552*  | WASHER, 7/32" Flat (3)                                     |
| 19   | 9-0376*  | NUT, #10-32 Hex Nyloc                                      |
| 20   | 4-6615   | TUBE, Grass (37" long)                                     |
| 21   | 3-6415*  | SCREW, #10-24 x 5/8" Pan Head (3)                          |
| 22   | 5-8910   | HEAT SHIELD, 14.5 HP                                       |
| 23   | 3-6543*  | TEENUT, 5/16-18 (2)  |
| 24   | 9-1318*  | SCREW, 5/16-18 x 3/4" Hex Head Cap, Grade 5 (2)            |
| 25   | 9-1833*  | SCREW, 5/16-18 x 5/8" Cross Recess Pan Head (3)            |
| 26   | 9-0122*  | WASHER, 3/8" Flat (2)                                      |
| 27   | 5-8909   | BALLAST (4)  |
| 28   | 7-1679   | DUST SKIRT   |
| 29   | 9-1503*  | PIN, 3/32 x 1-1/2" Hair (2)                                |
| 30   | 4-2716   | REINFORCEMENT, Bumper                                      |
| 31   | 6-0480*  | KIT, Air Lift (Includes Items 32 Thru 35)                  |
| 32   | 3-7723   | AIR LIFT (2)   |
| 33   | 9-0223   | NUT, 5/16-24 Hex (6)                                       |
| 34   | 9-0228   | SCREW, 5/16-24 x 11/16" Oval Head Machine (6)              |
| 35   | 9-0391   | WASHER, 5/16" Internal Tooth Lock (6)                      |
| 36   | 5-4514   | ASS'Y, High Lift Blade & Decal (2) (see pg. 23, item 36)   |
| 37   | 4-4726   | BAFFLE, 38" Deck MY97                                      |
| 38   | 9-0118*  | WASHER, 3/8" Split Lock                                    |
| 39   | 9-0130*  | NUT, 3/8-16 Hex  |
| 40   | 6-3289   | KIT, Catcher Debris Shield (Incl. Items 41 Thru 44)        |
| 41   | 6-3287   | SHIELD, Debris   |
| 42   | 9-0909   | BOLT, 1/4-20 x 1-1/2" Hex (2)                              |
| 43   | 9-1294   | WASHER, 1/4" Flat (2)                                      |
| 44   | 9-1705   | NUT, 1/4-20 Hex Top Lock (2)                               |

**\*NOTE: The above asterisk marked items are included in Hardware Bag 5-9709.**

# ACCESSORY SINGLE BAG CATCHER (42" Standard R. E. R.)



## ACCESSORY SINGLE BAG CATCHER (42" Standard R. E. R.)

| ITEM | PART NO. | DESCRIPTION   |
|------|----------|---|
| 1    | 6-0944   | KIT, Grass Catcher (42" Models) (Includes Items 2 Thru 31 & 37) |
| 2    | 5-1948   | TOP, Container (Includes Decal No. 1-1910)                      |
| 3    | 2-9840*  | WASHER, 5/16" Faceted (5)                                       |
| 4    | 4-7973   | FRAME, Weldment   |
| 5    | 3-7758   | ROD, Bag  |
| 6    | 1-2556*  | CONNECTOR, Bag Rod  |
| 7    | 1-9251   | BAG, Grass (Includes Item 3)                                    |
| 8    | 3-1725*  | LATCH, Top  |
| 9    | 9-0532*  | SCREW, #10-32 x 1-3/8" Hex Head Machine                         |
| 10   | 2-9841*  | PIN, 5/16 x 1-11/16" Clevis (2)                                 |
| 11   | 5-1663   | ADAPTER, Deck (Includes 4-6720 Decal)                           |
| 12   | 7-1677   | SHIELD, Muffler Heat (8 HP Engines)                             |
| 13   | 9-1601*  | NUT, 5/16-18 Hex Flange Lock, Grade 5 (3)                       |
| 14   | 9-0803*  | BOLT, 1/4-20 x 5/8" Flat Head Square Neck, Grade 2 (3)          |
| 15   | 3-1951*  | LATCH, Tube   |
| 16   | 3-1952*  | BASE, Handle  |
| 17   | 9-1613*  | SCREW, 5/16-18 x 3/4" Pan Head Machine (3)                      |
| 18   | 9-1584*  | NUT, 1/4-20 Hex Flange Lock, Grade 5 (3)                        |
| 19   | 9-0376*  | NUT, #10-32 Hex Nyloc   |
| 20   | 1-7316   | TUBE, Grass (39" long)  |
| 21   | 3-7745*  | HANDLE, Tube  |
| 22   | 3-8277   | BAFFLE, 42" Deck  |
| 23   | 6-0735   | KIT, Air Lift (Includes Items 24 Thru 27)                       |
| 24   | 3-1724   | EXTENSION, Air Lift (2)   |
| 25   | 9-0223   | NUT, 5/16-24 Hex (4)  |
| 26   | 9-0228   | SCREW, 5/16-24 Oval Head Machine (4)                            |
| 27   | 9-0391   | WASHER, 5/16" Internal Tooth Lock (4)                           |
| 28   | 1-6108   | DUST SKIRT  |
| 29   | 9-1503*  | PIN, 3/32 x 1-1/2" Hair (2)                                     |
| 30   | 1-9795   | BLADE, 21" Air Lift   |
| 31   | 9-1589*  | SCREW, 3/8-24 x 1-1/4" Hex Cap, Grade 5 (Blade Bolt, not shown) |
| 32   | 9-0577   | BOLT, 5/16-18 x 1-1/2" Square Neck Carriage, Grade 5 (2)        |
| 33   | 2-3797   | PAD, Bumper Mount (2)   |
| 34   | 9-0188   | WASHER, 5/16" Flat (2)  |
| 35   | 9-1575   | NUT, 5/16-18 Hex Center Lock, Grade B or 5 (2)                  |
| 36   | 3-1954   | REINFORCEMENT, Bumper   |
| 37   | 6-3289   | KIT, Catcher Debris Shield (Incl. Items 39 Thru 42)             |
| 38   | 6-3287   | SHIELD, Debris  |
| 39   | 9-0909   | BOLT, 1/4-20 x 1-1/2" Hex (2)                                   |
| 40   | 9-1294   | WASHER, 1/4" Flat (2)   |
| 41   | 9-1705   | NUT, 1/4-20 Hex Top Lock (2)                                    |

**\*NOTE: The above asterisk marked items are included in Hardware Bag 6-0778.**

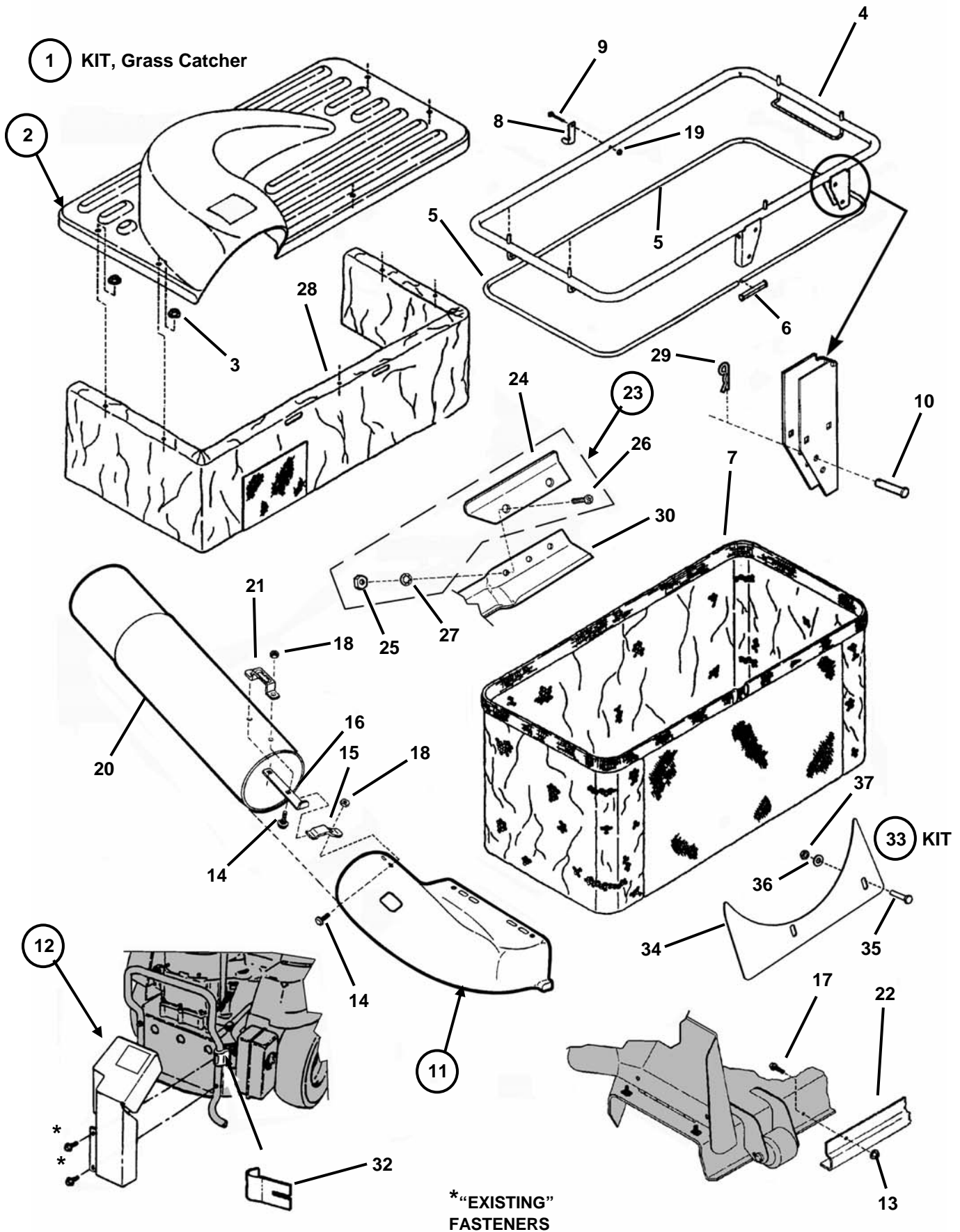


DECAL 4-6720



DECAL 1-1910

# ACCESSORY SINGLE BAG CATCHER (42" Yard Cruiser)



## ACCESSORY SINGLE BAG CATCHER (42" Yard Cruiser)

| ITEM | PART NO. | DESCRIPTION   |
|------|----------|---|
| 1    | 6-1895   | KIT, Grass Catcher (42" Models) (Includes Items 2 Thru 33)      |
| 2    | 5-7983   | TOP, Container (Includes Decal No. 4-6627)                      |
| 3    | 2-9840*  | WASHER, 5/16" Faceted (5)                                       |
| 4    | 4-2754   | FRAME, Weldment   |
| 5    | 3-7758   | ROD, Bag  |
| 6    | 1-2556*  | CONNECTOR, Bag Rod  |
| 7    | 1-9251   | BAG, Grass (Includes Item 3)                                    |
| 8    | 3-1725*  | LATCH, Top  |
| 9    | 9-0532*  | SCREW, #10-32 x 1-3/8" Hex Head Machine                         |
| 10   | 2-9841*  | PIN, 5/16 x 1-11/16" Clevis (2)                                 |
| 11   | 5-1663   | ADAPTER, Deck (Includes 4-6720 Decal)                           |
| 12   | 5-7709   | ASSEMBLY, Debris Shield (Includes Decal No. 7-1696)             |
| 13   | 9-1601*  | NUT, 5/16-18 Hex Flange Lock, Grade 5 (3)                       |
| 14   | 9-0803*  | BOLT, 1/4-20 x 5/8" Flat Head Square Neck, Grade 2 (3)          |
| 15   | 3-1951*  | LATCH, Tube   |
| 16   | 3-1952*  | BASE, Handle  |
| 17   | 9-1613*  | SCREW, 5/16-18 x 3/4" Pan Head Machine (3)                      |
| 18   | 9-1584*  | NUT, 1/4-20 Hex Flange Lock, Grade 5 (3)                        |
| 19   | 9-0376*  | NUT, #10-32 Hex Nyloc   |
| 20   | 7-1680   | TUBE, Grass (38" long)  |
| 21   | 3-7745*  | HANDLE, Tube  |
| 22   | 3-8277   | BAFFLE, 42" Deck  |
| 23   | 6-0735   | KIT, Air Lift (Includes Items 24 Thru 27)                       |
| 24   | 3-1724   | EXTENSION, Air Lift (2)   |
| 25   | 9-0223   | NUT, 5/16-24 Hex (4)  |
| 26   | 9-0228   | SCREW, 5/16-24 Oval Head Machine (4)                            |
| 27   | 9-0391   | WASHER, 5/16" Internal Tooth Lock (4)                           |
| 28   | 7-1679   | DUST SKIRT  |
| 29   | 9-1503*  | PIN, 3/32 x 1-1/2" Hair (2)                                     |
| 30   | 1-9795   | BLADE, 21" Air Lift   |
| 31   | 9-1589*  | SCREW, 3/8-24 x 1-1/4" Hex Cap, Grade 5 (Blade Bolt, not shown) |
| 32   | 4-2716   | BRACKET, Bumper Reinforcement                                   |
| 33   | 6-3289   | KIT, Catcher Debris Shield (Incl. Items 34 Thru 37)             |
| 34   | 6-3287   | SHIELD, Debris  |
| 35   | 9-0909   | BOLT, 1/4-20 x 1-1/2" Hex (2)                                   |
| 36   | 9-1294   | WASHER, 1/4" Flat (2)   |
| 37   | 9-1705   | NUT, 1/4-20 Hex Top Lock (2)                                    |



**DECAL 7-1696**

**\*NOTE: The above asterisk marked items are included in Hardware Bag 6-0778.**

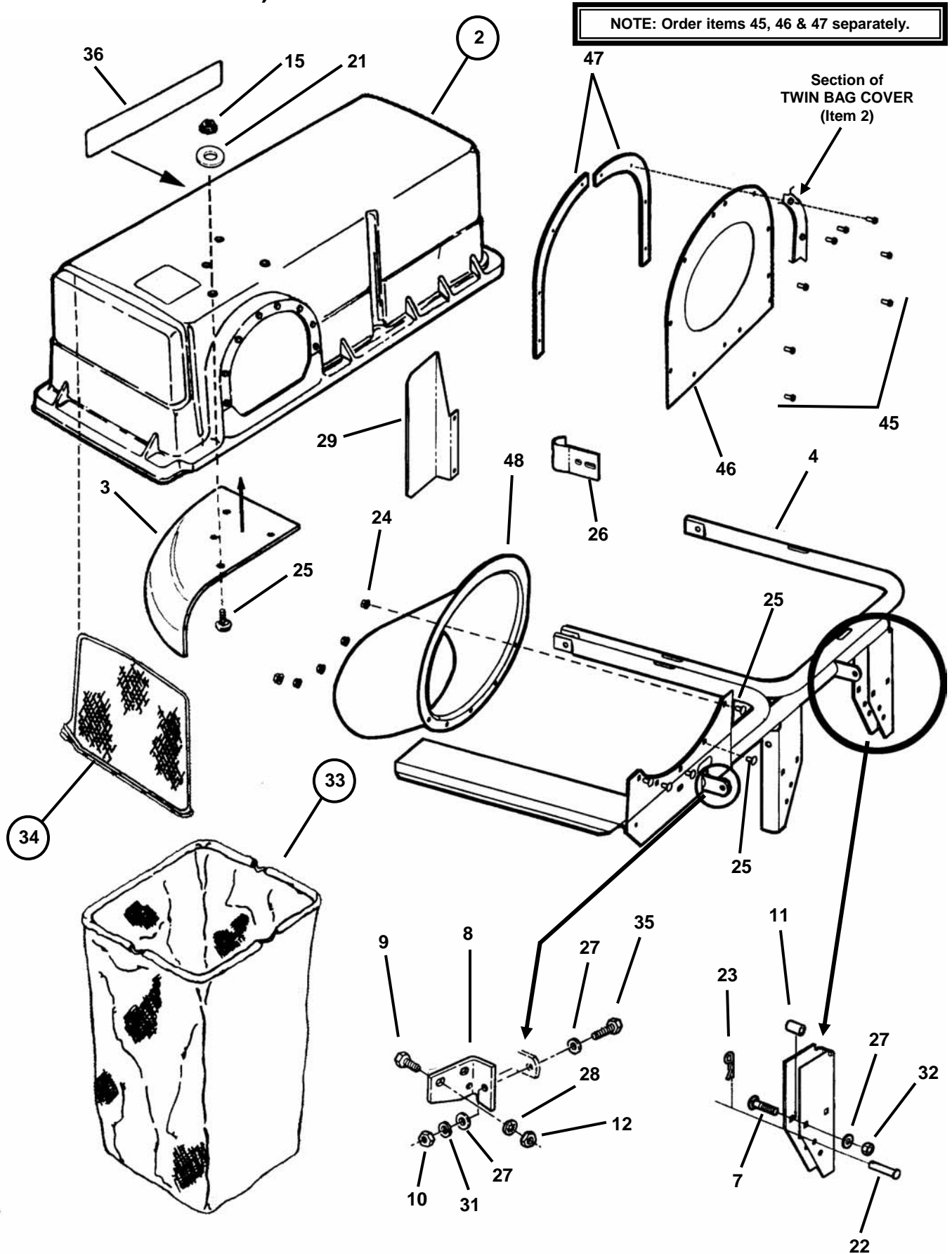


**DECAL 4-6720**

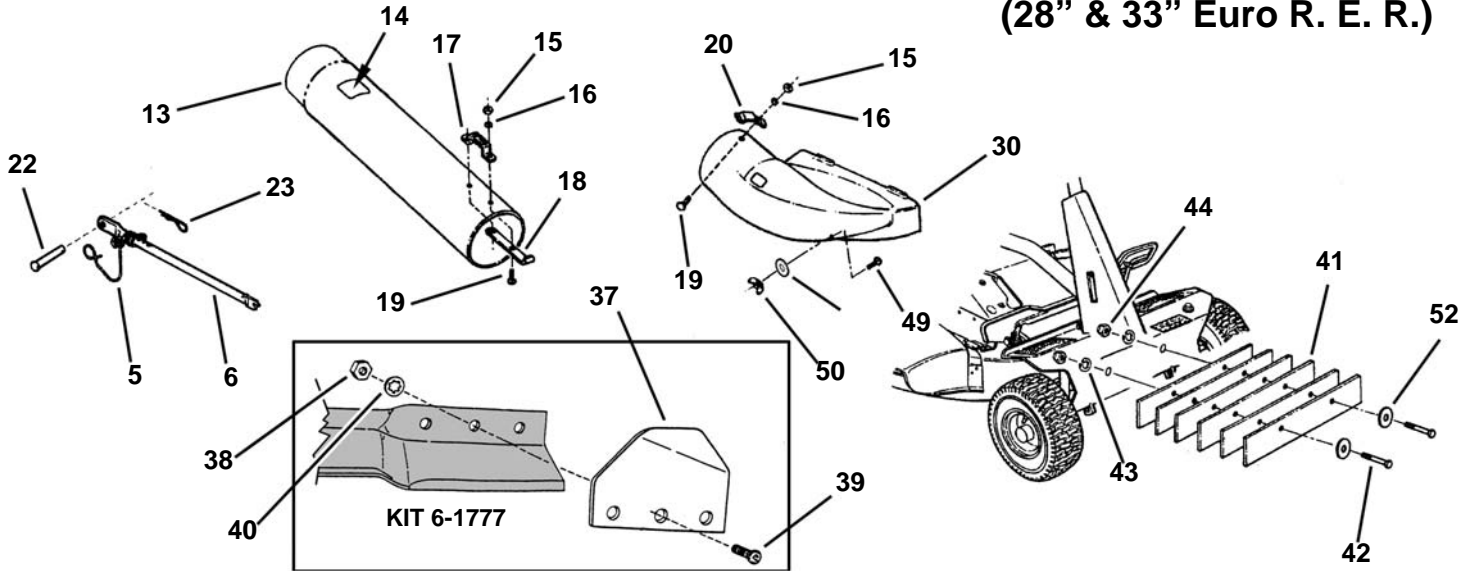


**DECAL 4-6627**

# ACCESSORY TWIN BAG CATCHER (28" & 33" Euro R. E. R.)



# ACCESSORY TWIN BAG CATCHER (28" & 33" Euro R. E. R.)



| ITEM | PART NO. | DESCRIPTION                             |
|------|----------|---|
| 1    | 6-3318   | KIT, Grass Catcher                      |
| 2    | 5-3668   | ASSEMBLY, Cover<br>(Incl. Decal 2-9784) |
| 3    | 1-9725   | SECTOR                                  |
| 4    | 5-9951   | WELDMENT, Frame                         |
| 5    | 5-1407   | ASS'Y, Spring & Hook                    |
| 6    | 3-6073   | BRACE, Rear (24-1/2" Long)              |
| --   | 4-6573   | BRACE, Rear (24-13/16" Long)            |
| 7    | 9-1612   | BOLT, 5/16-18 x 1-1/2" Carr. (2)        |
| 8    | 3-8087   | HINGE, Top (2)                          |
| 9    | 9-1611   | SCREW, 1/4-28 x 3/4" Cap (4)            |
| 10   | 9-1606   | NUT, 5/16-24 Hex Center Lock (2)        |
| 11   | 2-3797   | PAD, Bumper Mount (2)                   |
| 12   | 9-1605   | NUT, 1/4-28 Hex (4)                     |
| 13   | 1-4517   | TUBE, Grass (36" long)                  |
| 14   | 1-1910   | DECAL, Caution                          |
| 15   | 9-1576*  | NUT, 1/4-20 Hex (8)                     |
| 16   | 9-1314*  | WASHER, 1/4 I.T.Lock (4)                |
| 17   | 3-7745*  | HANDLE, Tube                            |
| 18   | 3-1952*  | BASE, Tube Handle                       |
| 19   | 9-1530*  | BOLT, 1/4-20 x 3/4" Carriage (4)        |
| 20   | 3-1951*  | LATCH, Tube Chute                       |
| 21   | 9-1294*  | WASHER, 1/4" Flat (4)                   |
| 22   | 2-9841*  | PIN, 5/16 x 11/16" Clevis (3)           |
| 23   | 9-1503*  | PIN, 3/32 x 1-1/2" Hair (3)             |
| 24   | 9-1545*  | NUT, 1/4-20 Flange Lock (5)             |
| 25   | 9-1604*  | BOLT, 1/4-20 x 1/2" Carriage (5)        |
| 26   | 3-1954   | SUPPORT, Bumper                         |
| 27   | 9-0188   | WASHER, 5/16" Flat (6)                  |
| 28   | 9-1314   | WASHER, 1/4 Int.Tooth.Lock (4)          |

| ITEM | PART NO. | DESCRIPTION                          |
|------|----------|--------------------------------------|
| 29   | 7-1677   | GUARD, Muffer                        |
| 30   | 5-3669   | ADAPTER (Incl. Decal 2-9784)         |
| 31   | 9-1315   | WASHER, 5/16 Split Lock (2)          |
| 32   | 9-1575   | NUT, 5/16-18 Hex Center Lock (2)     |
| 33   | 5-1930   | ASS'Y, Bag(Incl. Indented Items) (2) |
| --   | 1-9250   | BAG, Grass Catcher                   |
| --   | 1-9965   | ROD, Bag Support                     |
| --   | 1-4456   | CONNECTOR                            |
| 34   | 5-7652   | ASS'Y, Screen (Indented Items)       |
| --   | 1-9731   | SCREEN                               |
| --   | 1-9732   | FRAME, Screen                        |
| 35   | 9-0238   | SCREW, 5/16-24 x 1 Cap (2)           |
| 36   | 1-9295   | DECAL, Snapper                       |
| --   | 6-1777   | KIT, Air Lift (Incl. Indented Items) |
| 37   | 3-4468   | LIFT, Air (2)                        |
| 38   | 9-0223   | NUT, 5/16-24 Hex (6)                 |
| 39   | 9-0228   | SCREW, 5/16-24 x 21/32" (6)          |
| 40   | 9-0391   | WASHER, 5/16" I. T. Lock (6)         |
| 41   | 7-2416   | WEIGHT, Front Frame (6)              |
| 42   | 9-1560   | SCREW, 3/8-16 x 2-1/4" Cap (2)       |
| 43   | 9-1320   | WASHER, 3/8 Split Lock (2)           |
| 44   | 9-1302   | NUT, 3/8-16 Hex (2)                  |
| 45   | 9-0853   | SCREW, #10-24 x 1/2" S. Tap (8)      |
| 46   | 1-9794   | SEAL                                 |
| 47   | 3-8276   | CLAMP (2)                            |
| 48   | 1-9966   | INLET, Twin Bagger                   |
| 49   | 9-1303*  | BOLT, 5/16-18 x 1" Carriage          |
| 50   | 9-1537*  | WING LOCKNUT, 5/16-18                |
| 51   | 9-1296   | WASHER, 5/16" Flat (6)               |
| 52   | 2-1746   | WASHER, 3/8" Flat (2)                |

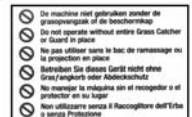
**\*NOTE:** The asterisk marked items are included in Hardware Bag 5-8913.



1-9295

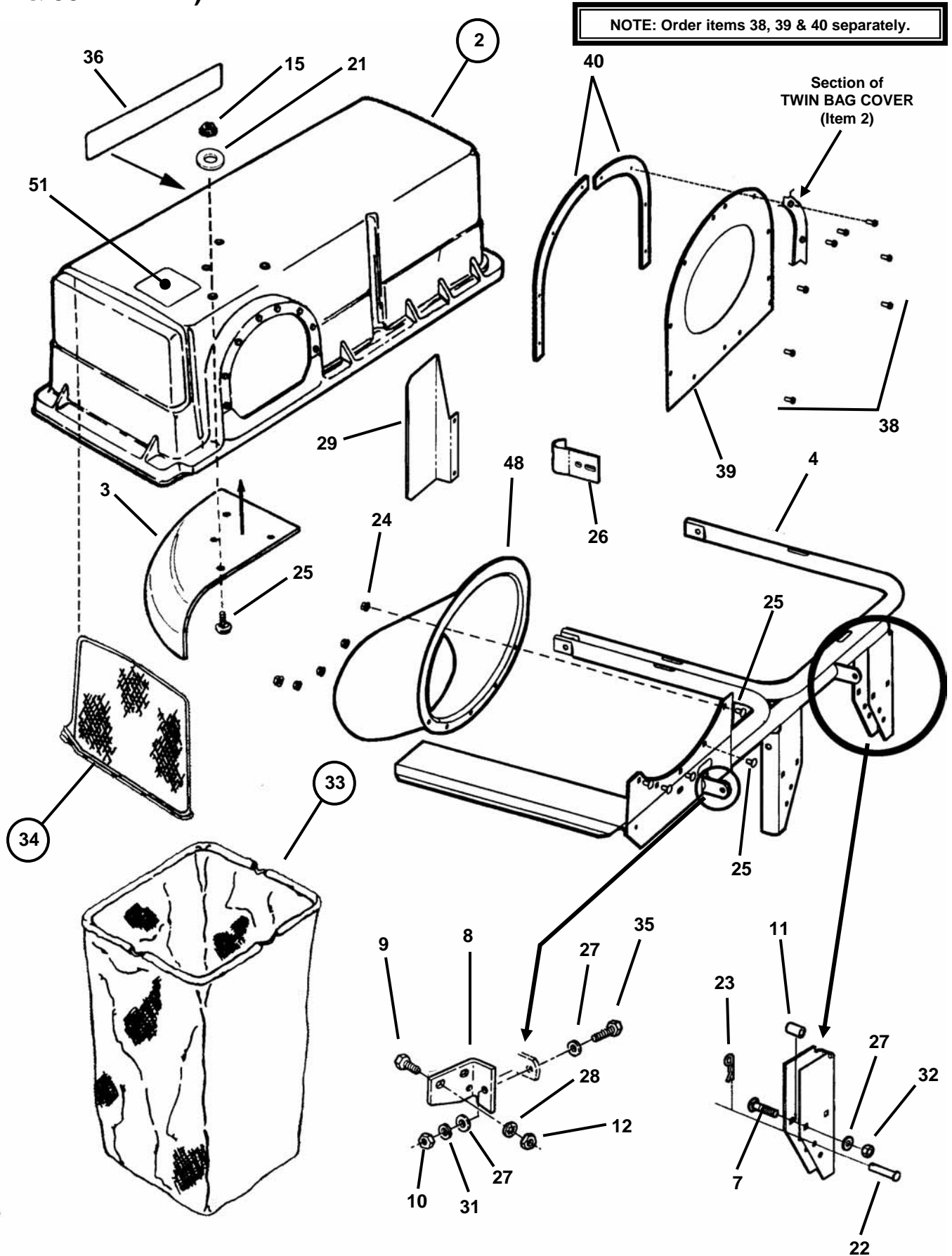


1-1910



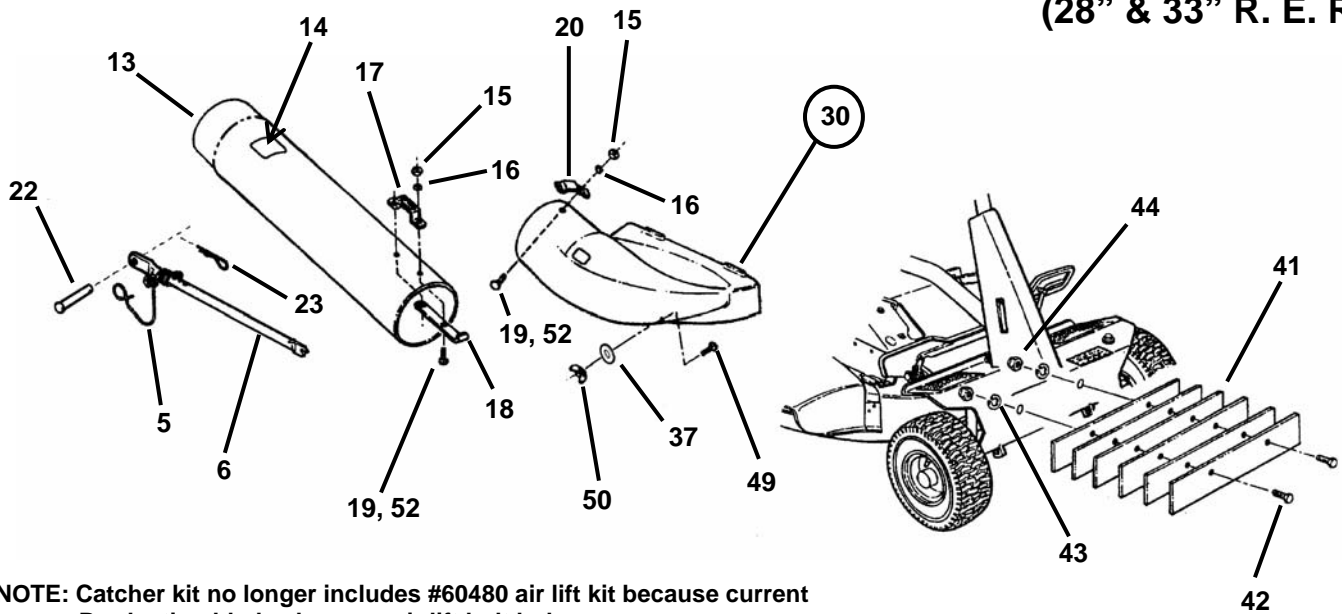
2-9784

# ACCESSORY TWIN BAG CATCHER (28" & 33" R. E. R.)





## ACCESSORY TWIN BAG CATCHER (28" & 33" R. E. R.)



**NOTE:** Catcher kit no longer includes #60480 air lift kit because current Production blades have no air lift bolt holes.

| ITEM | PART NO. | DESCRIPTION                         | ITEM | PART NO. | DESCRIPTION                          |
|------|----------|-------------------------------------|------|----------|--------------------------------------|
| 1    | 6-0946   | KIT, Grass Catcher                  | 29   | 7-1677   | GUARD, Muffler                       |
| 2    | 5-9626   | COVER, Twin Bag                     | 30   | 5-7816   | ADAPTER (Includes Decal 4-6720)      |
| 3    | 1-9725   | SECTOR                              | 31   | 9-1315   | WASHER, 5/16 Split Lock (2)          |
| 4    | 5-9951   | WELDMENT, Frame                     | 32   | 9-1575   | NUT, 5/16-18 Hex Center Lock (2)     |
| 5    | 5-1407   | ASSEMBLY, Spring & Hook             | 33   | 5-1930   | ASS'Y, Bag(Incl. Indented Items) (2) |
| 6    | 3-6073   | BRACE, Rear (24-1/2" Long)          | --   | 1-9250   | BAG, Grass Catcher                   |
| --   | 4-6573   | BRACE, Rear (24-13/16" Long)        | --   | 1-9965   | ROD, Bag Support                     |
| 7    | 9-1612   | BOLT, 5/16-18 x 1-1/2" Carr. (2)    | --   | 1-4456   | CONNECTOR                            |
| 8    | 3-8087   | HINGE, Top (2)                      | 34   | 5-7652   | ASS'Y, Screen (Indented Items)       |
| 9    | 9-1611   | SCREW, 1/4-28 x 3/4" Cap (4)        | --   | 1-9731   | SCREEN                               |
| 10   | 9-1606   | NUT, 5/16-24 Hex Center Lock (2)    | --   | 1-9732   | FRAME, Screen                        |
| 11   | 2-3797   | PAD, Bumper Mount (2)               | 35   | 9-0238   | SCREW, 5/16-24 x 1" Cap (2)          |
| 12   | 9-1605   | NUT, 1/4-28 Hex (4)                 | 36   | 1-9295   | DECAL, Snapper                       |
| 13   | 1-4517   | TUBE, Grass (36" long)              | 37   | 9-1296   | WASHER, 5/16" Flat (6)               |
| 14   | 1-1910   | DECAL, Caution                      | 38   | 9-0853   | SCREW, #10-24 x 1/2" S. Tap (8)      |
| 15   | 9-1576*  | NUT, 1/4-20 Hex (8)                 | 39   | 1-9794   | SEAL                                 |
| 16   | 9-1314*  | WASHER, 1/4 Internal Tooth Lock (4) | 40   | 3-8276   | CLAMP (2)                            |
| 17   | 3-7745*  | HANDLE, Tube                        | 41   | 7-2416   | WEIGHT, Front Frame (6)              |
| 18   | 3-1952*  | BASE, Tube Handle                   | 42   | 9-1976   | SCREW, 5/8-11 x 1-3/4" Cap (2)       |
| 19   | 9-1530*  | BOLT, 1/4-20 x 3/4" Carriage (4)    | 43   | 9-0333   | WASHER, 5/8" Split Lock (2)          |
| 20   | 3-1951*  | LATCH, Tube Chute                   | 44   | 9-0537   | NUT, 5/8-11 Hex (2)                  |
| 21   | 9-1294*  | WASHER, 1/4" Flat (4)               | 48   | 1-9966   | INLET, Twin Bagger                   |
| 22   | 2-9841*  | PIN, 5/16 x 11/16" Clevis (3)       | 49   | 9-1303*  | BOLT, 5/16-18 x 1" Carriage          |
| 23   | 9-1503*  | PIN, 3/32 x 1-1/2" Hair (3)         | 50   | 9-1537*  | WING NUT, 5/16-18 Lock               |
| 24   | 9-1545*  | NUT, 1/4-20 Flange Lock (5)         | 51   | 4-6720   | DECAL, Chute/Deflector               |
| 25   | 9-1604*  | BOLT, 1/4-20 x 1/2" Carriage (5)    | 52   | 9-1614   | SCREW, 1/4-20 x 3/4" (4)             |
| 26   | 3-1954   | SUPPORT, Bumper                     | 53   | 9-1553   | SCREW, 3/8-16 x 1-3/4" Cap (2)       |
| 27   | 9-0188   | WASHER, 5/16" Flat (6)              | 54   | 9-1302   | NUT, 3/8-16 Hex (2)                  |
| 28   | 9-1314   | WASHER, 1/4 Int.Tooth Lock (4)      | 55   | 9-1320   | WASHER, 5/16" Split Lock (2)         |

**\*NOTE:** The asterisk marked items are included in Hardware Bag 6-0589.



1-9295

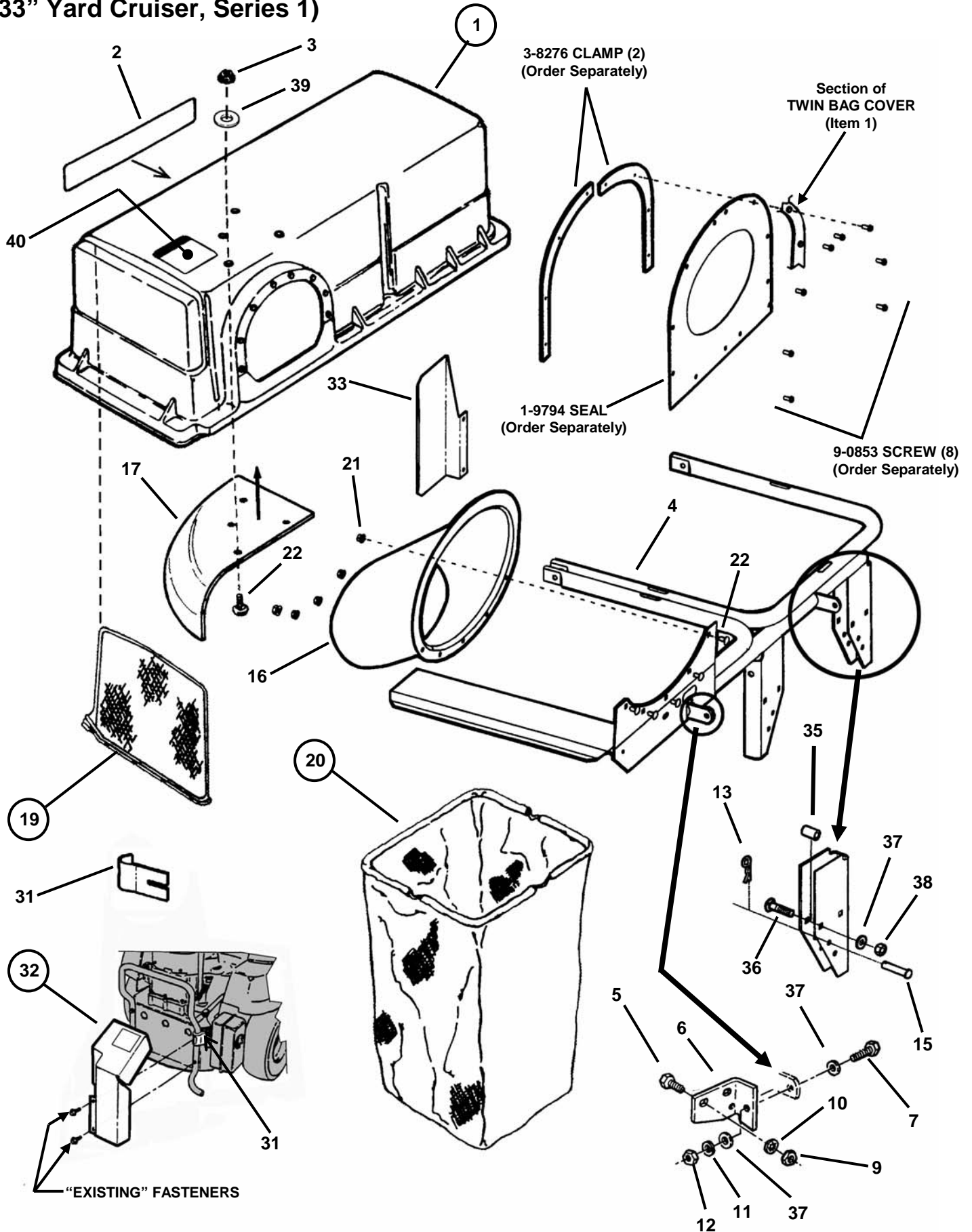


1-1910

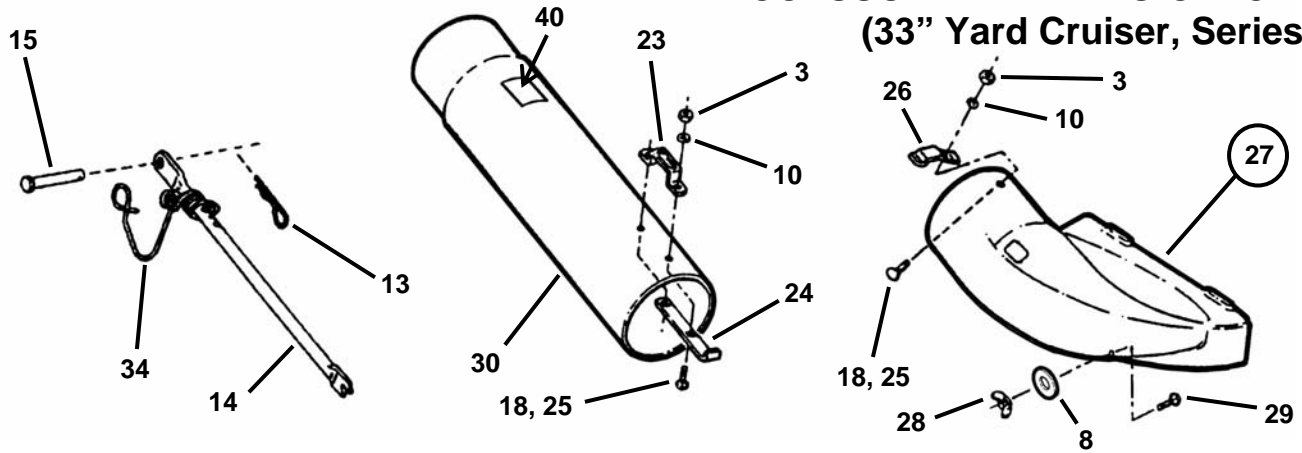


4-6720

# ACCESSORY TWIN BAG CATCHER (33" Yard Cruiser, Series 1)



## ACCESSORY TWIN BAG CATCHER (33" Yard Cruiser, Series 1)



| ITEM | PART NO. | DESCRIPTION                         |
|------|----------|-------------------------------------|
| --   | 6-3046   | KIT, Grass Catcher                  |
| 1    | 5-7885   | ASS'Y, Cover (Incl. 4-6627)         |
| 2    | 1-8593   | DECAL, Snapper                      |
| 3    | 9-1576*  | NUT, 1/4-20 Hex (8)                 |
| 4    | 5-4645   | WELDMENT, Frame                     |
| 5    | 9-1611   | SCREW, 1/4-28 x 3/4" (4)            |
| 6    | 3-8087   | HINGE, Top (2)                      |
| 7    | 9-0238   | SCREW, 5/16-24 x 1" (2)             |
| 8    | 9-1296   | WASHER, 11/32" Flat (6)             |
| 9    | 9-1605   | NUT, 1/4-28 Hex (4)                 |
| 10   | 9-1314*  | WASHER, 1/4" Lock (7)               |
| 11   | 9-1315   | WASHER, 5/16" Split (2)             |
| 12   | 9-1606   | NUT, 5/16-24 Hex<br>Center Lock (2) |
| 13   | 9-1503*  | PIN, 3/32 x 1-1/2" Hair             |
| 14   | 4-6573   | BRACE, Rear                         |
| 15   | 2-9841   | PIN, 5/16 x 1-11/16" Clevis (3)     |
| 16   | 3-5706   | INLET, Twin Bagger                  |
| 17   | 1-9725   | SECTOR                              |
| 18   | 9-1530*  | BOLT, 1/4-20 x 3/4" Carriage (4)    |
| 19   | 5-7652   | ASS'Y, Screen (indented items)      |
| --   | 1-9732   | FRAME                               |
| --   | 1-9731   | SCREEN                              |
| 20   | 5-1930   | ASS'Y, Bag (indented items) (2)     |
| --   | 1-9250   | BAG, Grass Catcher                  |
| --   | 1-9965   | ROD, Bag Support                    |
| --   | 1-4456   | CONNECTOR, Rod                      |
| 21   | 9-1545*  | NUT, 1/4-20 Hex Flange (5)          |

| ITEM | PART NO. | DESCRIPTION                            |
|------|----------|--|
| 22   | 9-1604*  | BOLT, 1/4-20 x 1/2" Carriage (5)       |
| 23   | 3-7745   | HANDLE, Tube                           |
| 24   | 3-1952   | BASE, Tube Handle                      |
| 25   | 9-1614*  | SCREW, 1/4-20 x 3/4" Mach. (4)         |
| 26   | 3-1951   | LATCH, Chute Tube                      |
| 27   | 5-7809   | ADAPTER (Incl. Decal 4-6720)           |
| 28   | 9-1537*  | WING LOCKNUT, 5/16-18                  |
| 29   | 9-1303*  | BOLT, 5/16-18 x 1" Carriage            |
| 30   | 4-6614   | TUBE, Grass (45" long)                 |
| 31   | 4-2716   | SUPPORT, Bumper                        |
| 32   | 5-7709   | ASS'Y, Debris Shield<br>(Incl. 7-1696) |
| 33   | 7-1677   | GUARD, Muffler                         |
| 34   | 5-1407   | ASS'Y, Spring & Hook                   |
| 35   | 2-3797   | PAD, Bumper Mount (2)                  |
| 36   | 9-1612** | BOLT, 5/16-18 x 1-1/2" Carr. (2)       |
| 37   | 9-0188** | WASHER, 5/16" Flat (6)                 |
| 38   | 9-1575** | NUT, 5/16-18 Hex Ctr. Lock (2)         |
| 39   | 9-1294*  | WASHER, 1/4" Flat (4)                  |
| 40   | 4-6627   | DECAL, Warning                         |

**\*NOTE:** The asterisk marked items are included in Hardware Bag 6-0589.

**\*\*NOTE:** Order separately.

**SNAPPER**

1-8593



4-6720

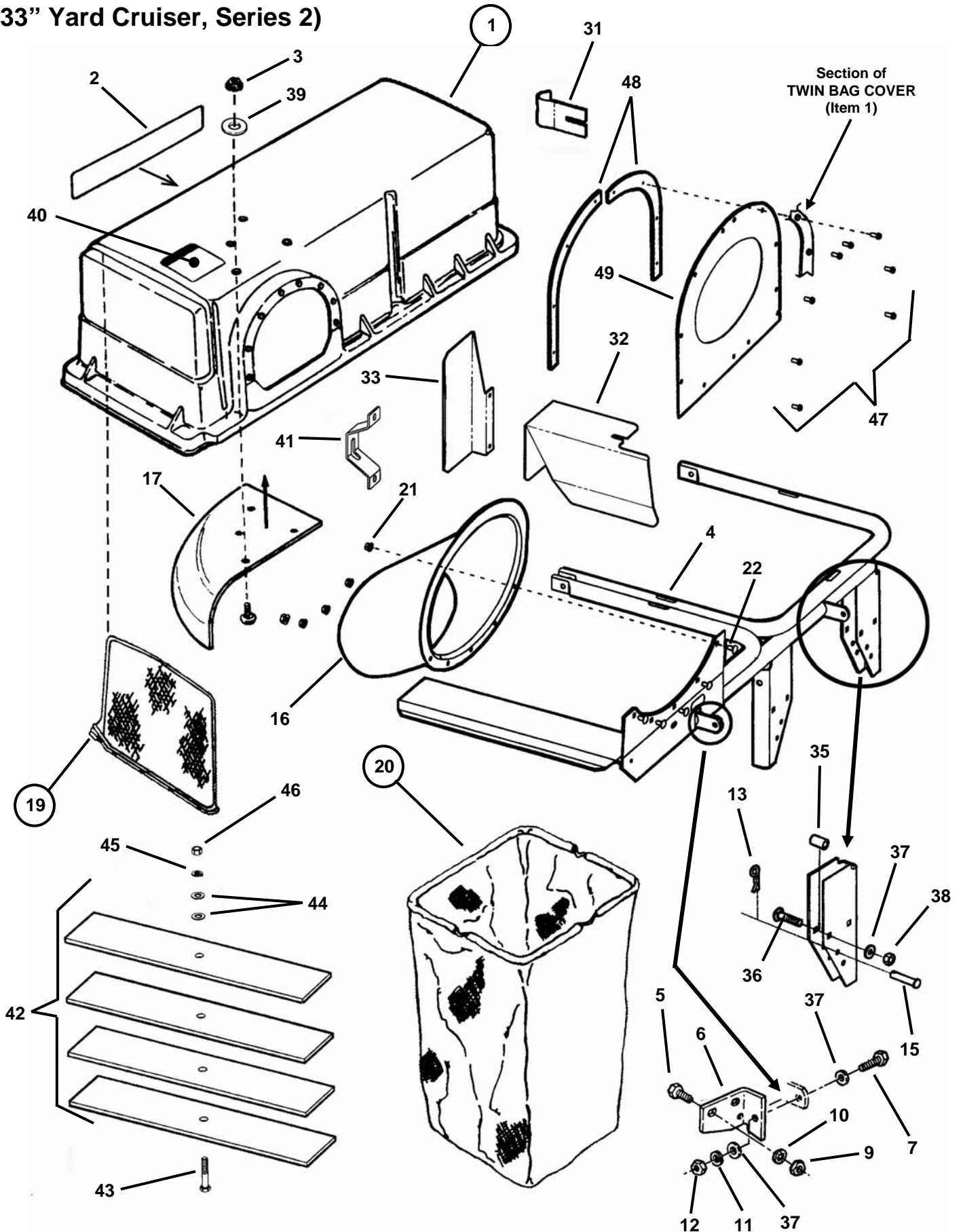


4-6627

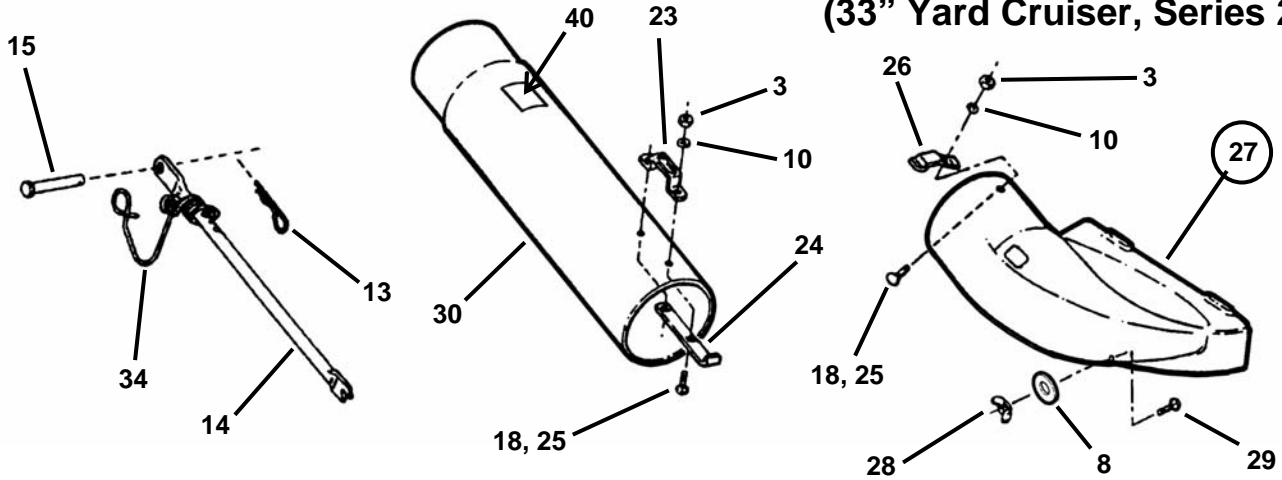


7-1696

# ACCESSORY TWIN BAG CATCHER (33" Yard Cruiser, Series 2)



## ACCESSORY TWIN BAG CATCHER (33" Yard Cruiser, Series 2)



| ITEM | PART NO. | DESCRIPTION   |
|------|----------|---|
| --   | 6-3156   | KIT, Grass Catcher                                  |
| 1    | 5-9710   | ASS'Y, Cover (Incl. Decal 4-6627, item 47, 48 & 49) |
| 2    | 1-8593   | DECAL, Snapper                                      |
| 3    | 9-1576*  | NUT, 1/4-20 Hex (8)                                 |
| 4    | 5-4645   | WELDMENT, Frame                                     |
| 5    | 9-1611   | SCREW, 1/4-28 x 3/4" (4)                            |
| 6    | 3-8087   | HINGE, Top (2)                                      |
| 7    | 9-0238   | SCREW, 5/16-24 x 1" (2)                             |
| 8    | 9-1296   | WASHER, 11/32" Flat (6)                             |
| 9    | 9-1605   | NUT, 1/4-28 Hex (4)                                 |
| 10   | 9-1314*  | WASHER, 1/4" Lock (7)                               |
| 11   | 9-1315   | WASHER, 5/16" Split (2)                             |
| 12   | 9-1606   | NUT, 5/16-24 Hex Center Lock (2)                    |
| 13   | 9-1503*  | PIN, 3/32 x 1-1/2" Hair                             |
| 14   | 4-6573   | BRACE, Rear   |
| 15   | 2-9841*  | PIN, 5/16 x 1-11/16" Clevis (3)                     |
| 16   | 3-5706   | INLET, Twin Bagger                                  |
| 17   | 1-9725   | SECTOR  |
| 18   | 9-1530*  | BOLT, 1/4-20 x 3/4" Carriage (4)                    |
| 19   | 5-7652   | ASS'Y, Screen (indented items)                      |
| --   | 1-9732   | FRAME   |
| --   | 1-9731   | SCREEN  |
| 20   | 5-1930   | ASS'Y, Bag (indented items) (2)                     |
| --   | 1-9250   | BAG, Grass Catcher                                  |
| --   | 1-9965   | ROD, Bag Support                                    |
| --   | 1-4456   | CONNECTOR, Rod                                      |

| ITEM | PART NO. | DESCRIPTION                       |
|------|----------|-----------------------------------|
| 21   | 9-1545*  | NUT, 1/4-20 Hex Flange (5)        |
| 22   | 9-1604*  | BOLT, 1/4-20 x 1/2" Carriage (5)  |
| 23   | 3-7745   | HANDLE, Tube                      |
| 24   | 3-1952*  | BASE, Tube Handle                 |
| 25   | 9-1614*  | SCREW, 1/4-20 x 3/4" Mach. (4)    |
| 26   | 3-1951*  | LATCH, Chute Tube                 |
| 27   | 5-7809   | ADAPTER (Incl. Decal 4-6720)      |
| 28   | 9-1537*  | WING LOCKNUT, 5/16-18             |
| 29   | 9-1303*  | BOLT, 5/16-18 x 1" Carriage       |
| 30   | 4-6614   | TUBE, Grass (45" long)            |
| 31   | 4-2716   | SUPPORT, Bumper                   |
| 32   | 5-8910   | HEAT SHIELD                       |
| 33   | 7-1677   | GUARD, Muffler                    |
| 34   | 5-1407   | ASS'Y, Spring & Hook              |
| 35   | 2-3797   | PAD, Bumper Mount (2)             |
| 36   | 9-0577   | BOLT, 5/16-18 x 1-1/2" Carr. (2)  |
| 37   | 9-0188** | WASHER, 5/16" Flat (6)            |
| 38   | 9-0184   | NUT, 5/16-18 Hex Ctr. Lock (2)    |
| 39   | 9-1294*  | WASHER, 1/4" Flat (4)             |
| 40   | 4-6627   | DECAL, Warning                    |
| 41   | 7-2239   | BRACE, Twin Bag Catcher           |
| 42   | 5-8909   | BALLAST (4)                       |
| 43   | 9-0588   | SCREW, 3/8-16 x 2" Hex Cap        |
| 44   | 9-0122   | WASHER, 3/8" Flat (2)             |
| 45   | 9-0118   | WASHER, 3/8" Split Lock           |
| 46   | 9-0130   | NUT, 3/8-16                       |
| 47   | 9-0853   | SCREW, #10-24 x 1/2" Self-Tap (4) |
| 48   | 3-8276   | CLAMP (2)                         |
| 49   | 1-9794   | SEAL                              |

**\*NOTE:** The asterisk marked items are included in Hardware Bag 5-8913.

**\*\*NOTE:** Order separately.

**NOTE:** This kit is not intended for use on Series 1 YZ models or any series of HZ and HZS Yard Cruisers.



4-6720

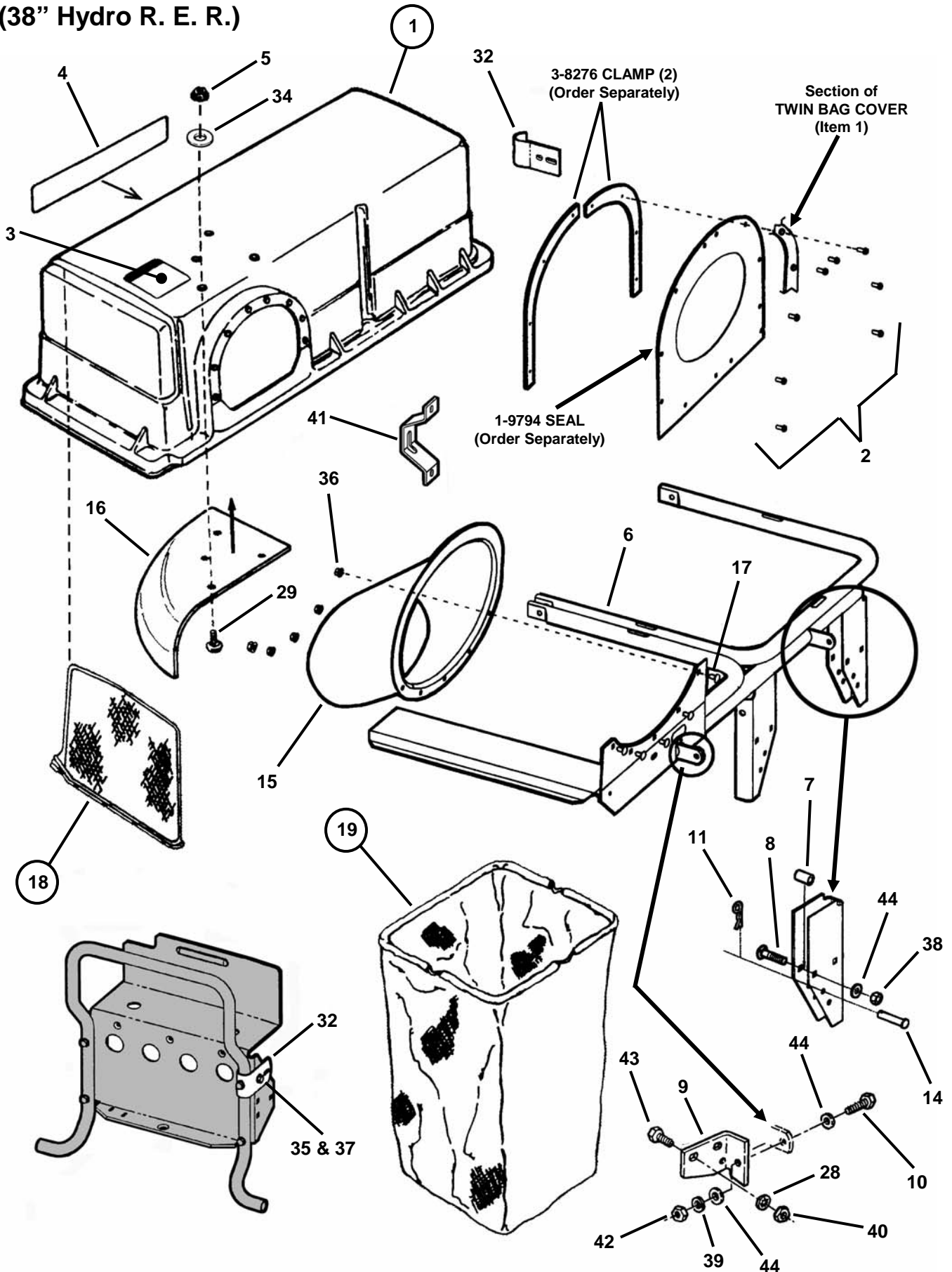


4-6627

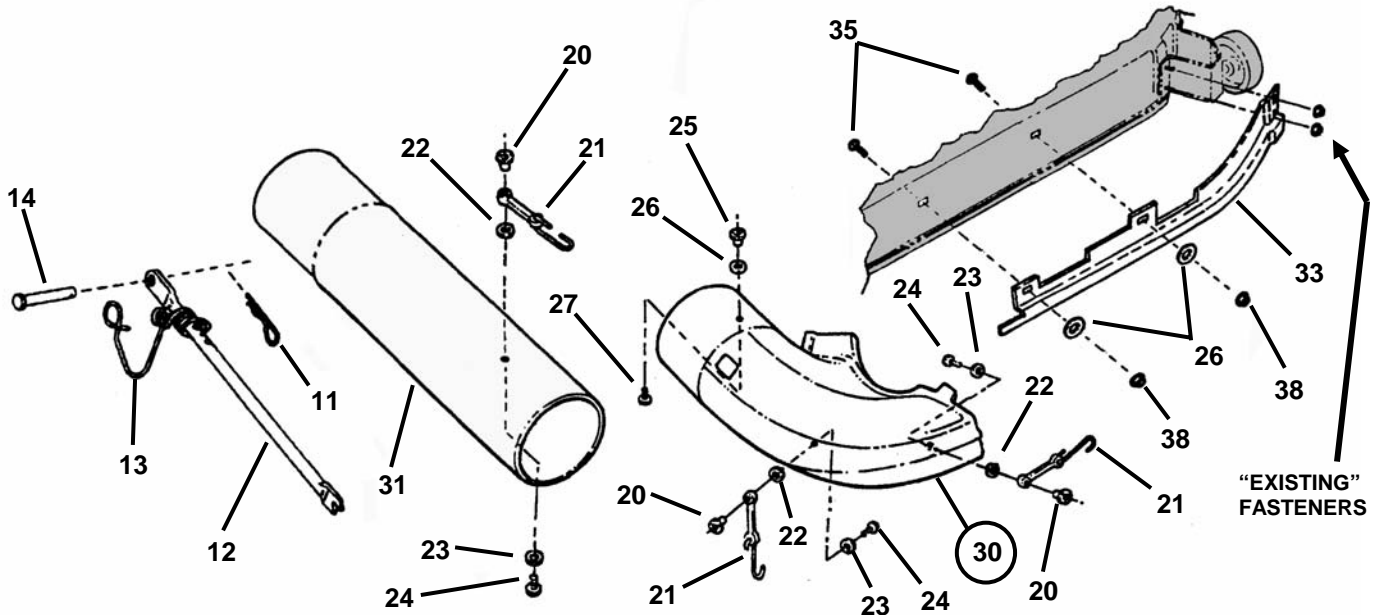
**SNAPPER**

1-8593

# ACCESSORY TWIN BAG CATCHER (38" Hydro R. E. R.)



## ACCESSORY TWIN BAG CATCHER (38" Hydro R. E. R.)



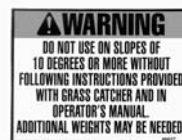
| ITEM | PART NO. | DESCRIPTION                          |
|------|----------|--------------------------------------|
| --   | 6-3083   | KIT, Grass Catcher                   |
| 1    | 5-7885   | ASS'Y, Cover (Incl. 4-6627 & item 2) |
| 2    | 9-0853   | SCREW, #10-24 x 1/2" Self-Tap (4)    |
| 3    | 4-6627   | DECAL, Warning                       |
| 4    | 1-8593   | DECAL, Snapper                       |
| 5    | 9-1576*  | NUT, 1/4-20 Hex (4)                  |
| 6    | 5-4645   | WELDMENT, Frame                      |
| 7    | 2-3797   | PAD, Bumper Mount (2)                |
| 8    | 9-0577   | BOLT, 5/16-18 x 1-1/2" Carr. (2)     |
| 9    | 3-8087   | HINGE, Top (2)                       |
| 10   | 9-0238   | SCREW, 5/16-24 x 1" (2)              |
| 11   | 9-1503*  | PIN, 3/32 x 1-1/2" Hair (3)          |
| 12   | 4-6573   | BRACE, Rear                          |
| 13   | 5-1407   | ASS'Y, Spring & Hook                 |
| 14   | 2-9841*  | PIN, 5/16 x 1-11/16" Clevis (3)      |
| 15   | 3-5706   | INLET, Twin Bagger                   |
| 16   | 1-9725   | SECTOR                               |
| 17   | 9-1604*  | BOLT, 1/4-20 x 1/2" Carriage (5)     |
| 18   | 5-7652   | ASS'Y, Screen (w/indented items)     |
| --   | 1-9732   | FRAME                                |
| --   | 1-9731   | SCREEN                               |
| 19   | 5-1930   | ASS'Y, Bag (w/indented items) (2)    |
| --   | 1-9250   | BAG, Grass Catcher                   |
| --   | 1-9965   | ROD, Bag Support                     |
| --   | 1-4456   | CONNECTOR, Rod                       |

| ITEM | PART NO. | DESCRIPTION                      |
|------|----------|----------------------------------|
| 20   | 3-6404*  | NUT, #10-24 x 5/8" Weld (3)      |
| 21   | 3-6433*  | STRAP, Adapter/Tube (3)          |
| 22   | 3-6422*  | WASHER, 3/16" Flat (3)           |
| 23   | 9-1552*  | WASHER, 7/32" Flat (3)           |
| 24   | 3-6415*  | SCREW, #10-24 x 5/8" Pan Hd.(3)  |
| 25   | 3-6543*  | TEENUT, 5/16-18 (2)              |
| 26   | 9-1296*  | WASHER, 11/32" Flat (6)          |
| 27   | 9-1833*  | SCREW, 5/16-18 x 5/8" Nyloc (3)  |
| 28   | 9-1314*  | WASHER, 1/4" Lock (7)            |
| 29   | 9-1530*  | BOLT, 1/4-20 x 3/4" Carriage (4) |
| 30   | 5-7810   | ADAPTER (Incl. Decal 4-6720)     |
| 31   | 3-9478   | TUBE, Grass (32" long)           |
| 32   | 3-1954   | SUPPORT, Bumper                  |
| 33   | 4-4726   | BAFFLE, 38" Deck                 |
| 34   | 9-1294*  | WASHER, 1/4" Flat (4)            |
| 35   | 9-1318*  | SCREW, 5/16-18 x 3/4" Hex (3)    |
| 36   | 9-1545*  | NUT, 1/4-20 Hex Fl. Top Lock (5) |
| 37   | 9-1601*  | NUT, 5/16-18 Hex Flange Lock     |
| 38   | 9-1575*  | NUT, 5/16-18 Hex Center Lock(4)  |
| 39   | 9-1315   | WASHER, 5/16" Split Lock (2)     |
| 40   | 9-1605   | NUT, 1/4-28 Hex (4)              |
| 41   | 7-2239   | BRACE, Twin Bag Catcher          |
| 42   | 9-1606   | NUT, 5/16-24 Hex Center Lock (2) |
| 43   | 9-1611   | SCREW, 1/4-28 x 3/4" Hex (4)     |
| 44   | 9-0188   | WASHER, 5/16" Flat (6)           |

**SNAPPER**

1-8593

\*NOTE: The asterisk marked items are included in Hardware Bag 7-2240.

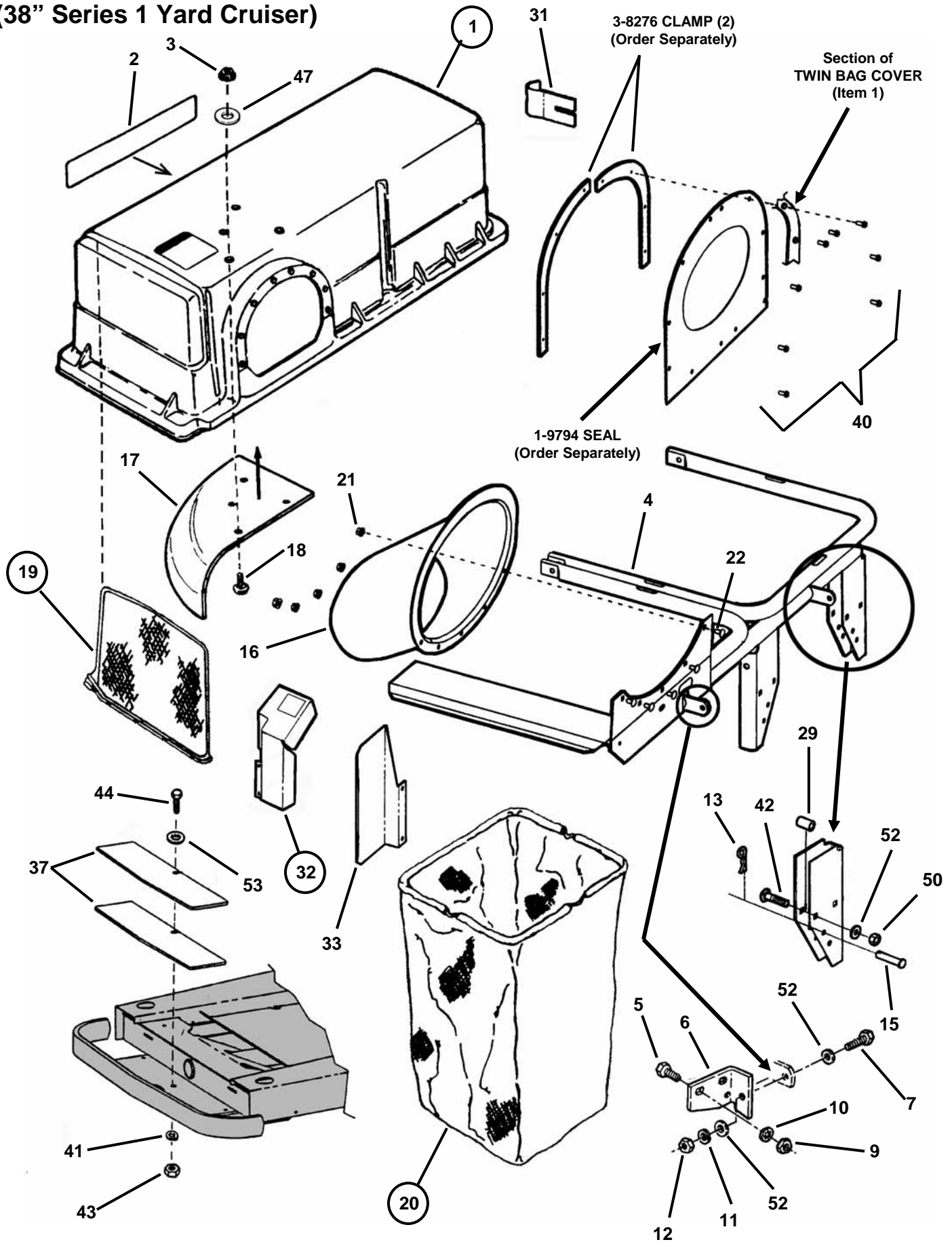


4-6627



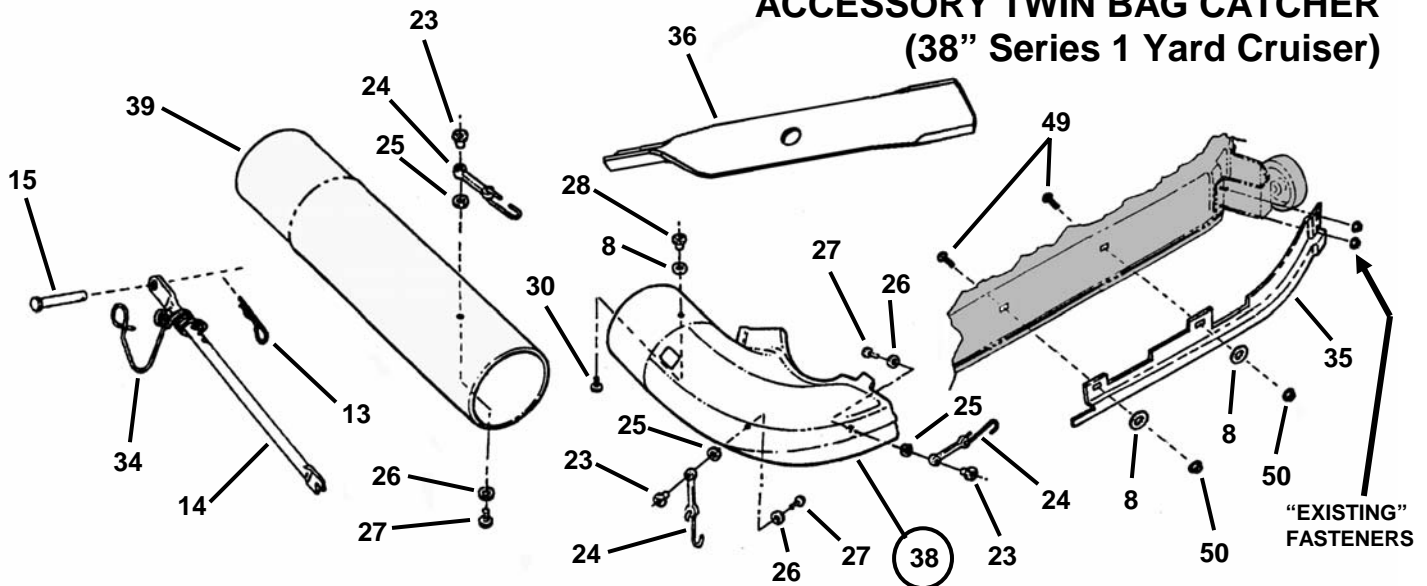
4-6720

# ACCESSORY TWIN BAG CATCHER (38" Series 1 Yard Cruiser)





## ACCESSORY TWIN BAG CATCHER (38" Series 1 Yard Cruiser)

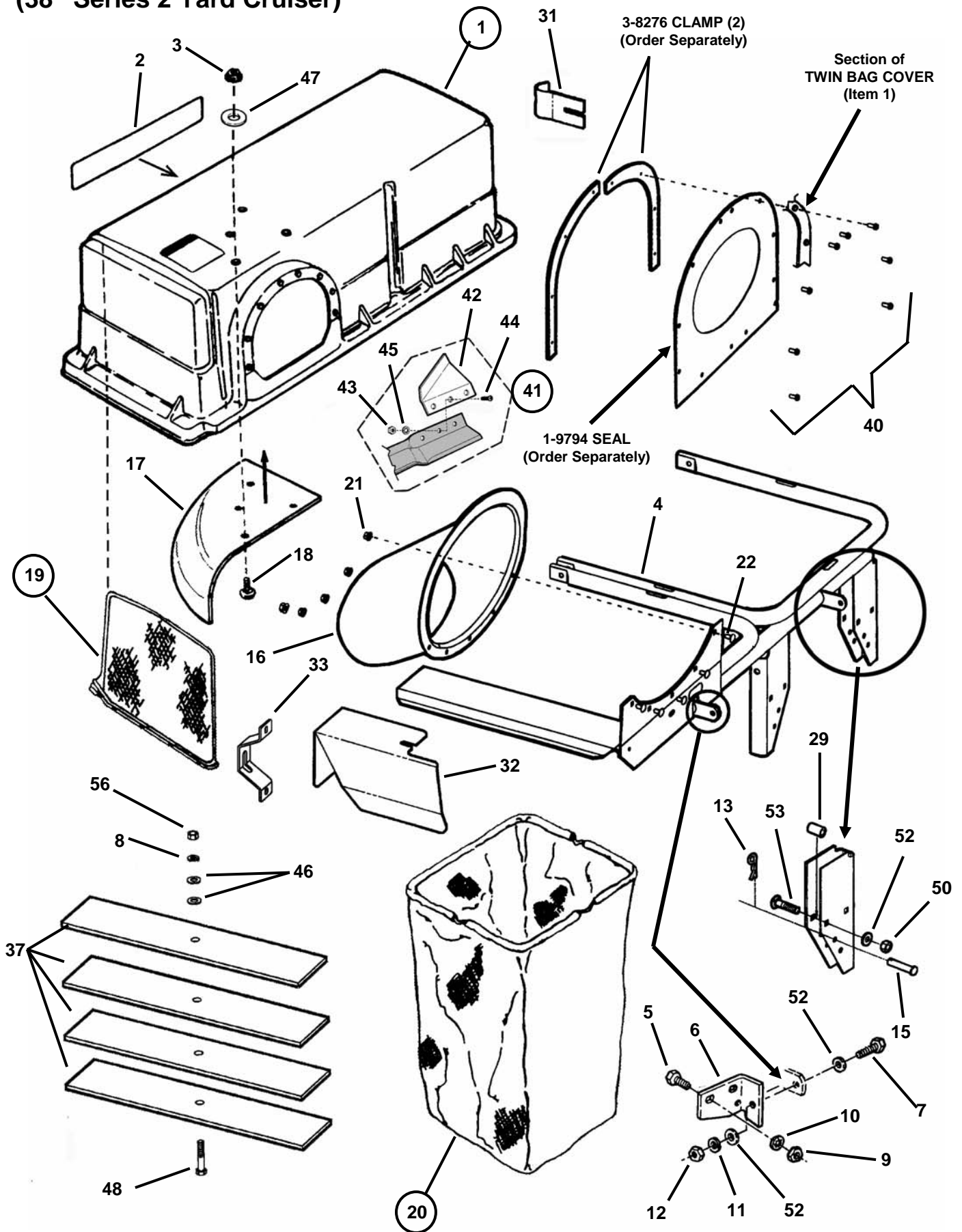


| ITEM | PART NO. | DESCRIPTION                           |
|------|----------|---------------------------------------|
| --   | 6-3047   | KIT, Grass Catcher                    |
| 1    | 5-7885   | ASS'Y, Cover (Incl. 4-6627 & item 40) |
| 2    | 1-8593   | DECAL, Snapper                        |
| 3    | 9-1576*  | NUT, 1/4-20 Hex (4)                   |
| 4    | 5-4645   | WELDMENT, Frame                       |
| 5    | 9-1611   | SCREW, 1/4-28 x 3/4" (4)              |
| 6    | 3-8087   | HINGE, Top (2)                        |
| 7    | 9-0238   | SCREW, 5/16-24 x 1" (2)               |
| 8    | 9-1296   | WASHER, 11/32" Flat (8)               |
| 9    | 9-1605   | NUT, 1/4-28 Hex (4)                   |
| 10   | 9-1314*  | WASHER, 1/4" Lock (7)                 |
| 11   | 9-1315   | WASHER, 5/16" Split (2)               |
| 12   | 9-1606   | NUT, 5/16-24 Hex Ctr. Lock (2)        |
| 13   | 9-1503*  | PIN, 3/32 x 1-1/2" Hair (3)           |
| 14   | 4-6573   | BRACE, Rear                           |
| 15   | 2-9841   | PIN, 5/16 x 1-11/16" Clevis (3)       |
| 16   | 3-5706   | INLET, Twin Bagger                    |
| 17   | 1-9725   | SECTOR                                |
| 18   | 9-1530*  | BOLT, 1/4-20 x 3/4" Carriage (4)      |
| 19   | 5-7652   | ASS'Y, Screen (indented items)        |
| --   | 1-9732   | FRAME                                 |
| --   | 1-9731   | SCREEN                                |
| 20   | 5-1930   | ASS'Y, Bag (indented items) (2)       |
| --   | 1-9250   | BAG, Grass Catcher                    |
| --   | 1-9965   | ROD, Bag Support                      |
| --   | 1-4456   | CONNECTOR, Rod                        |
| 21   | 9-1545*  | NUT, 1/4-20 Hex Flange (5)            |
| 22   | 9-1604*  | BOLT, 1/4-20 x 1/2" Carriage (5)      |
| 23   | 3-6404   | NUT, #10-24x5/8" Weld (3)             |
| 24   | 3-6433   | STRAP, Adapter/Tube (3)               |
| 25   | 3-6422*  | WASHER, 3/16" Flat (3)                |
| 26   | 9-1552*  | WASHER, 7/32" Flat (3)                |

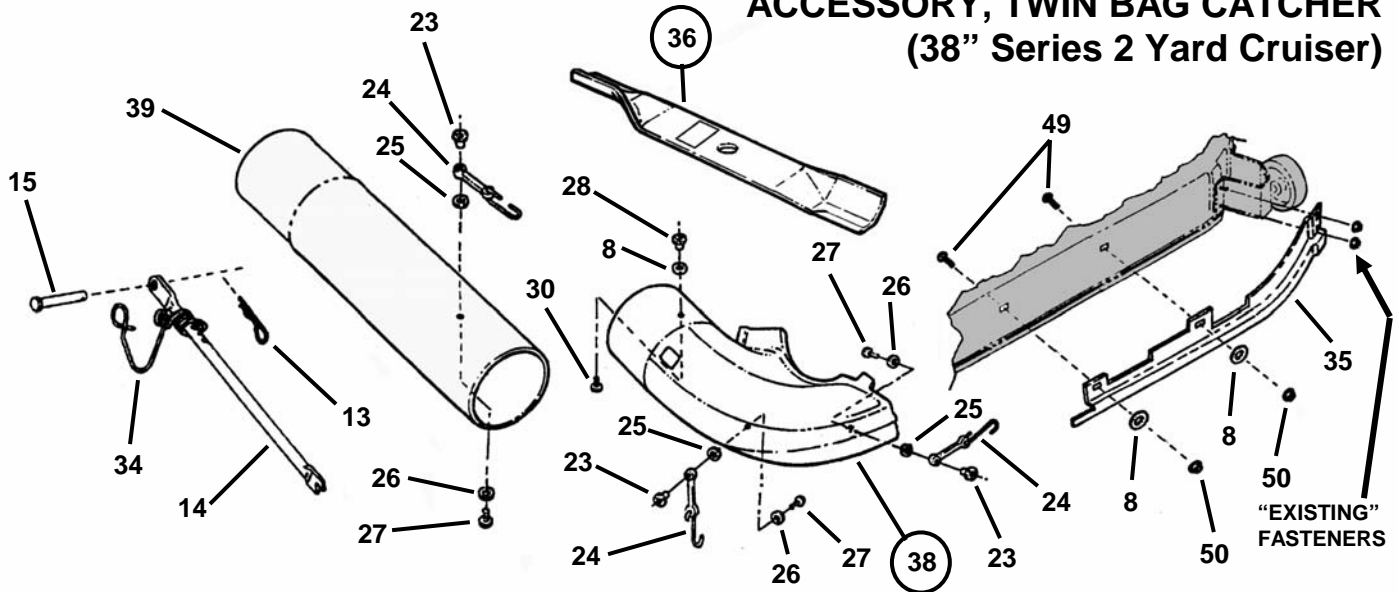
| ITEM | PART NO. | DESCRIPTION   |
|------|----------|---|
| 27   | 3-6415*  | SCREW, #10-24x5/8" Pan Hd. (3)  |
| 28   | 3-6543*  | TEENUT, 5/16-18 (2)   |
| 29   | 2-3797   | PAD, Bumper Mount (2)   |
| 30   | 9-1833*  | SCREW, 5/16-18x5/8" Mach. (2)   |
| 31   | 4-2716   | SUPPORT, Bumper   |
| 32   | 5-7709   | ASS'Y, Debris Shield (Includes Decal 7-1696)  |
| 33   | 7-1677   | GUARD, Muffer   |
| 34   | 5-1407   | ASS'Y, Spring & Hook  |
| 35   | 4-4726   | BAFFLE, 38" Deck  |
| 36   | 5-4514   | ASS'Y, High Lift Blade & Decal# 4-4686 (2) blade length 19.64"; blade hole diameter .981" |
| 37   | 4-6447   | WEIGHT, Ballast (2)   |
| 38   | 5-7810   | ADAPTER, (Incl. Decal 4-6720)   |
| 39   | 4-6615   | TUBE, Grass (37" long)  |
| 40   | 9-0853   | SCREW, #10-24 x 1/2" Tap (4)  |
| 41   | 9-0254   | WASHER, 1/2" Split Lock   |
| 42   | 9-0577   | BOLT, 5/16-18 x 1-1/2" Carr. (2)  |
| 43   | 9-1316   | NUT, 1/2-13 Hex   |
| 44   | 9-1884   | SCREW, 1/2-13 x 1-1/2" Cap  |
| 45   | 9-0307   | SCREW, #10-24 x 1/2"  |
| 46   | 9-0492*  | WING NUT, 5/16-18 (2)   |
| 47   | 9-1294*  | WASHER, 1/4" Flat (4)   |
| 48   | 9-1303   | BOLT, 5/16-18 x 1" Carriage (2)   |
| 49   | 9-1318*  | SCREW, 5/16-18 x 3/4" Cap (2)   |
| 50   | 9-1575*  | NUT, 5/16-18 Hex Ctr. Lock (2)  |
| 51   | 9-0184   | NUT, 5/16-18 Hex Ctr. Lock (2)  |
| 52   | 9-0188   | WASHER, 5/16" Flat (6)  |
| 53   | 9-0250   | WASHER, 1/2" Flat   |

**\*NOTE:** The asterisk marked items are included in Hardware Bag 6-1889.

# ACCESSORY, TWIN BAG CATCHER (38" Series 2 Yard Cruiser)



## ACCESSORY, TWIN BAG CATCHER (38" Series 2 Yard Cruiser)

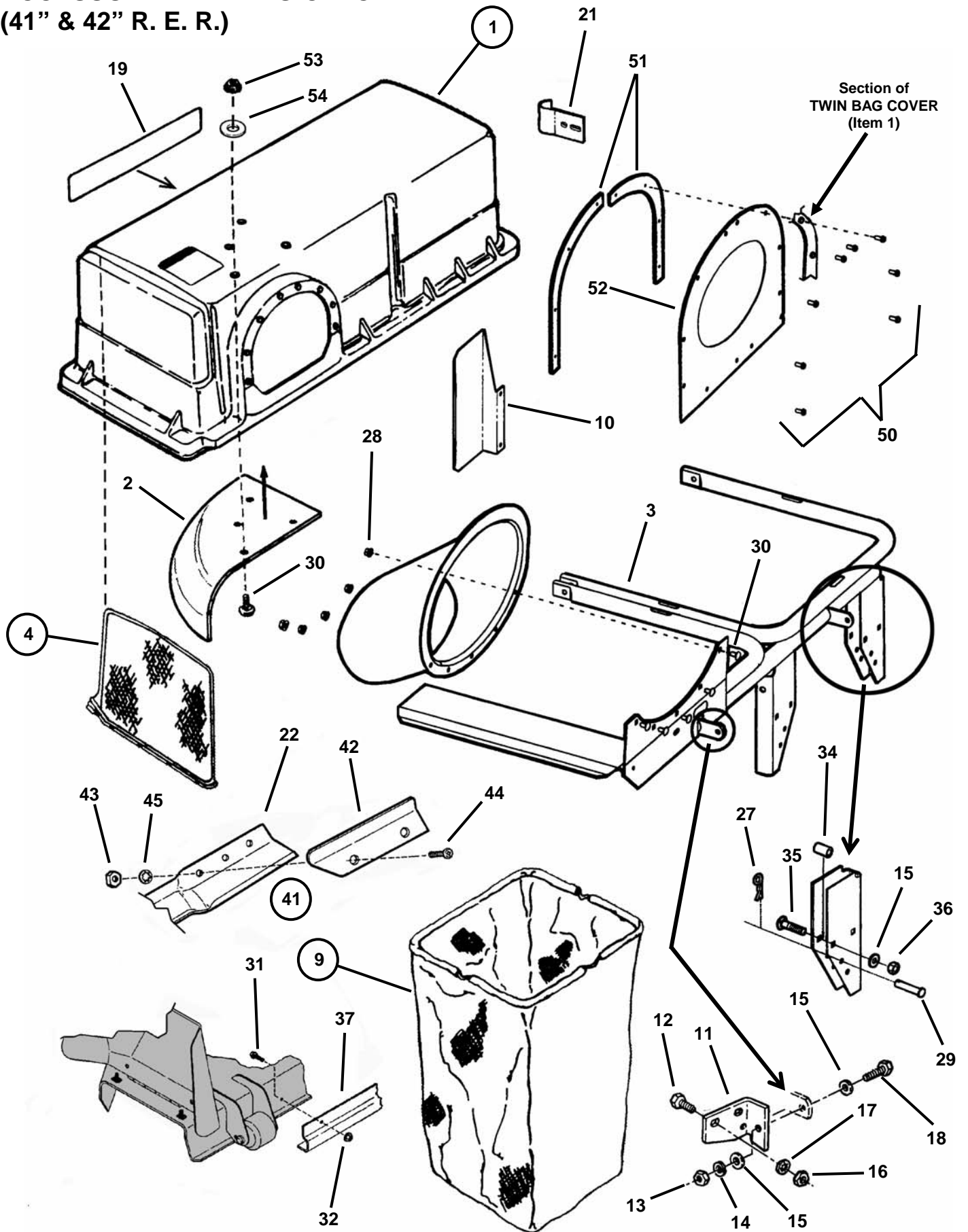


| ITEM | PART NO. | DESCRIPTION                           |
|------|----------|---------------------------------------|
| --   | 6-3173   | KIT, Grass Catcher                    |
| 1    | 5-7885   | ASS'Y, Cover (Incl. 4-6627 & item 40) |
| 2    | 1-8593   | DECAL, Snapper                        |
| 3    | 9-1576*  | NUT, 1/4-20 Hex (4)                   |
| 4    | 5-4645   | WELDMENT, Frame                       |
| 5    | 9-1611   | SCREW, 1/4-28 x 3/4" (4)              |
| 6    | 3-8087   | HINGE, Top (2)                        |
| 7    | 9-0238   | SCREW, 5/16-24 x 1" (2)               |
| 8    | 9-0118   | WASHER, 3/8" Flat                     |
| 9    | 9-0095   | NUT, 1/4-28 Hex (4)                   |
| 10   | 9-1314*  | WASHER, 1/4" Lock (4)                 |
| 11   | 9-1315   | WASHER, 5/16" Split (2)               |
| 12   | 9-1606   | NUT, 5/16-24 Hex Ctr. Lock (2)        |
| 13   | 9-1503*  | PIN, 3/32 x 1-1/2" Hair (3)           |
| 14   | 4-6573   | BRACE, Rear                           |
| 15   | 2-9841*  | PIN, 5/16 x 1-11/16" Clevis (3)       |
| 16   | 3-5706   | INLET, Twin Bagger                    |
| 17   | 1-9725   | SECTOR                                |
| 18   | 9-1530*  | BOLT, 1/4-20 x 3/4" Carriage (4)      |
| 19   | 5-7652   | ASS'Y, Screen (indented items)        |
| --   | 1-9732   | FRAME                                 |
| --   | 1-9731   | SCREEN                                |
| 20   | 5-1930   | ASS'Y, Bag (indented items) (2)       |
| --   | 1-9250   | BAG, Grass Catcher                    |
| --   | 1-9965   | ROD, Bag Support                      |
| --   | 1-4456   | CONNECTOR, Rod                        |
| 21   | 9-1545*  | NUT, 1/4-20 Hex Flange (5)            |
| 22   | 9-1604*  | BOLT, 1/4-20 x 1/2" Carriage (5)      |
| 23   | 3-6404*  | NUT, #10-24x5/8" Weld (3)             |
| 24   | 3-6433*  | STRAP, Adapter/Tube (3)               |
| 25   | 3-6422*  | WASHER, 3/16" Flat (3)                |
| 26   | 9-1552*  | WASHER, 7/32" Flat (3)                |
| 27   | 3-6415*  | SCREW, #10-24x5/8" Pan Hd. (3)        |

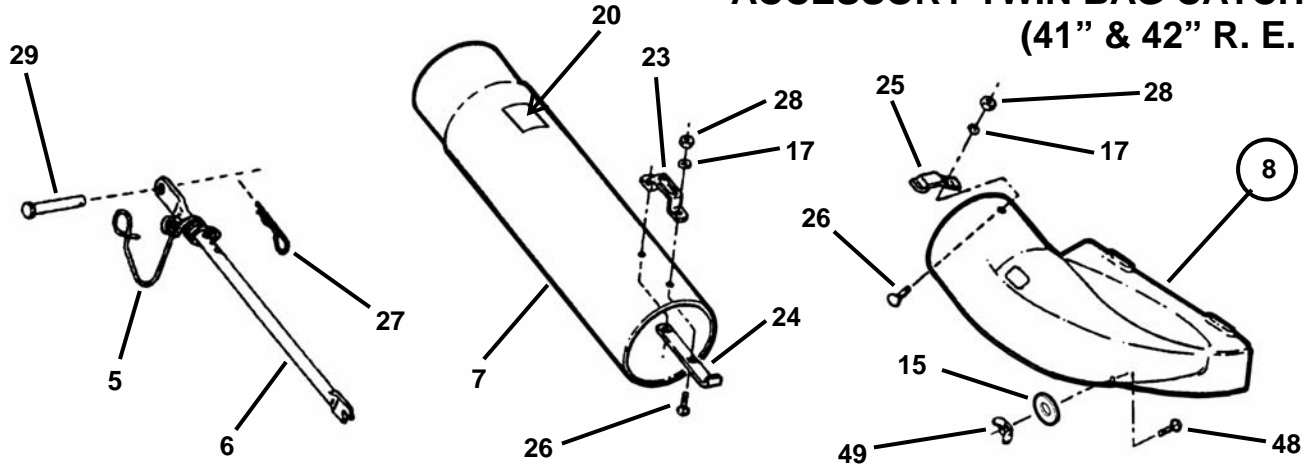
| ITEM | PART NO. | DESCRIPTION                                      |
|------|----------|--|
| 28   | 3-6543*  | TEENUT, 5/16-18 (2)                              |
| 29   | 2-3797   | PAD, Bumper Mount (2)                            |
| 30   | 9-1833*  | SCREW, 5/16-18x5/8" Mach. (2)                    |
| 31   | 4-2716   | SUPPORT, Bumper                                  |
| 32   | 5-8910   | HEAT SHIELD, 14.5 HP                             |
| 33   | 7-2239   | BRACE, Twin Bag Catcher                          |
| 34   | 5-1407   | ASS'Y, Spring & Hook                             |
| 35   | 4-4726   | BAFFLE, 38" Deck                                 |
| 36   | 5-4514   | ASS'Y High Lift Blade & Decal (Decal No. 4-4686) |
| 37   | 5-8909   | WEIGHT, Ballast (4)                              |
| 38   | 5-7810   | ADAPTER, (Incl. Decal 4-6720)                    |
| 39   | 4-6615   | TUBE, Grass (37" long)                           |
| 40   | 9-0853   | SCREW, #10-24 x 1/2" Tap (4)                     |
| 41   | 6-0480*  | KIT, Air Lift (Incl. indented items)             |
| 42   | 3-7723   | AIR LIFT (2)                                     |
| 43   | 9-0223   | NUT, 5/16-24 Hex (6)                             |
| 44   | 9-0228   | SCREW, 5/16-24 x 21/32" (6)                      |
| 45   | 9-0391   | WASHER, 5/16" Internal Tooth Lock (6)            |
| 46   | 9-0122*  | WASHER, 3/8" Flat (2)                            |
| 47   | 9-1294   | WASHER, 1/4" Flat (4)                            |
| 48   | 9-0588   | SCREW, 3/8-16 x 2" Hex Hd. Cap                   |
| 49   | 9-1318*  | SCREW, 5/16-18 x 3/4" Cap (2)                    |
| 50   | 9-1575*  | NUT, 5/16-18 Hex Ctr. Lock (2)                   |
| 51   | 9-0184   | NUT, 5/16-18 Hex Ctr. Lock (2)                   |
| 52   | 9-0188   | WASHER, 5/16" Flat (6)                           |
| 53   | 9-0577   | BOLT, 5/16-18 x 1-1/2" Carr. (2)                 |
| 54   | 9-0307   | SCREW, #10-24 x 1/2"                             |
| 55   | 9-0122*  | WASHER, 3/8" Flat (2)                            |
| 56   | 9-1302   | NUT, 3/8-16 Hex                                  |

**\*NOTE:** The asterisk marked items are included in Hardware Bag 5-9078.

# ACCESSORY TWIN BAG CATCHER (41" & 42" R. E. R.)



## ACCESSORY TWIN BAG CATCHER (41" & 42" R. E. R.)



| ITEM | PART NO. | DESCRIPTION  |
|------|----------|--|
| --   | 6-0945   | KIT, Grass Catcher                                   |
| 1    | 5-9710   | ASS'Y, Cover (Incl. Decal 4-6627 & items 50 thru 52) |
| 2    | 1-9725   | SECTOR   |
| 3    | 5-9937   | WELDMENT, Frame                                      |
| 4    | 5-7652   | ASS'Y, Screen (indented items)                       |
| --   | 1-9732   | FRAME  |
| --   | 1-9731   | SCREEN   |
| 5    | 5-1407   | ASSEMBLY, Spring & Hook                              |
| 6    | 3-6073   | BRACE, Rear (24-1/2" Long)                           |
| --   | 4-6573   | BRACE, Rear (24-13/16" Long)                         |
| 7    | 1-7318   | TUBE, Grass (46" long)                               |
| 8    | 5-1663   | ADAPTER, (Includes Decal 4-6720)                     |
| 9    | 5-1930   | ASS'Y, Bag (indented items) (2)                      |
| --   | 1-9250   | BAG, Grass Catcher                                   |
| --   | 1-9965   | ROD, Bag Support                                     |
| --   | 1-4456   | CONNECTOR, Rod                                       |
| 10   | 7-1677   | GUARD, Muffler                                       |
| 11   | 3-8087   | HINGE, Top (2)                                       |
| 12   | 9-0541   | SCREW, 1/4-28 x 3/4" (4)                             |
| 13   | 9-0222   | NUT, 5/16-24 Hex Center Lock (2)                     |
| 14   | 9-0187   | WASHER, 5/16" Split (2)                              |
| 15   | 9-0188   | WASHER, 5/16" Flat (6)                               |
| 16   | 9-0095   | NUT, 1/4-28 Hex (4)                                  |
| 17   | 9-0053   | WASHER, 1/4" Internal Tooth Lock (4)                 |
| 18   | 9-0238   | SCREW, 5/16-24 x 1" Cap (2)                          |
| 19   | 1-8593   | DECAL, Snapper                                       |
| 20   | 1-1910   | DECAL, Caution                                       |
| 21   | 3-1954   | SUPPORT, Bumper                                      |

| ITEM | PART NO. | DESCRIPTION                           |
|------|----------|---------------------------------------|
| 22   | 1-9795   | BLADE, 21" Air Lift                   |
| 23   | 3-7745*  | HANDLE, Tube                          |
| 24   | 3-1952*  | BASE, Tube Handle                     |
| 25   | 3-1951*  | LATCH, Chute Tube                     |
| 26   | 9-0803*  | SCREW, 1/4-20 x 3/4" Mach. (3)        |
| 27   | 9-1503*  | PIN, 3/32 x 1-1/2" Hair (3)           |
| 28   | 9-1584*  | NUT, 1/4-20 Hex Flange Lock (7)       |
| 29   | 2-9841   | PIN, 5/16 x 1-11/16" Clevis (3)       |
| 30   | 9-1604*  | BOLT, 1/4-20 x 1/2" Carriage (4)      |
| 31   | 9-1613*  | SCREW, 5/16-18 x 3/4" Carr. (3)       |
| 32   | 9-1601*  | NUT, 5/16-18 Hex Flge. Lock (3)       |
| 33   | 9-1589   | SCREW, 3/8-24 x 1-1/4" Cap            |
| 34   | 2-3797   | PAD, Bumper Mount (2)                 |
| 35   | 9-0577   | BOLT, 5/16-18 x 1-1/2" Carr. (2)      |
| 36   | 9-1575*  | NUT, 5/16-18 Hex Ctr. Lock (2)        |
| 37   | 3-8277   | BAFFLE                                |
| 41   | 6-0735   | KIT, Air Lift (Incl. indented items)  |
| 42   | 3-1724   | AIR LIFT (2)                          |
| 43   | 9-0223   | NUT, 5/16-24 Hex (6)                  |
| 44   | 9-0228   | SCREW, 5/16-24 x 21/32" (4)           |
| 45   | 9-0391   | WASHER, 5/16" Internal Tooth Lock (6) |
| 46   | 9-0184   | NUT, 5/16-18 Hex Ctr. Lock (2)        |
| 47   | 9-0913   | SCREW, #10-24 x 1/2" (4)              |
| 48   | 9-1303*  | BOLT, 5/16-18 x 1" Carriage           |
| 49   | 9-1537*  | WING LOCKNUT, 5/16-18                 |
| 50   | 9-0853   | SCREW, #10-24 x 1/2" S.Tap (4)        |
| 51   | 3-8276   | CLAMP (2)                             |
| 52   | 1-9794   | SEAL                                  |
| 53   | 9-1576   | NUT, 1/4-20 Hex (4)                   |
| 54   | 9-1294   | WASHER, 1/4" Flat (4)                 |

**\*NOTE:** The asterisk marked items are included in Hardware Bag 6-0773.

**SNAPPER**

1-8593

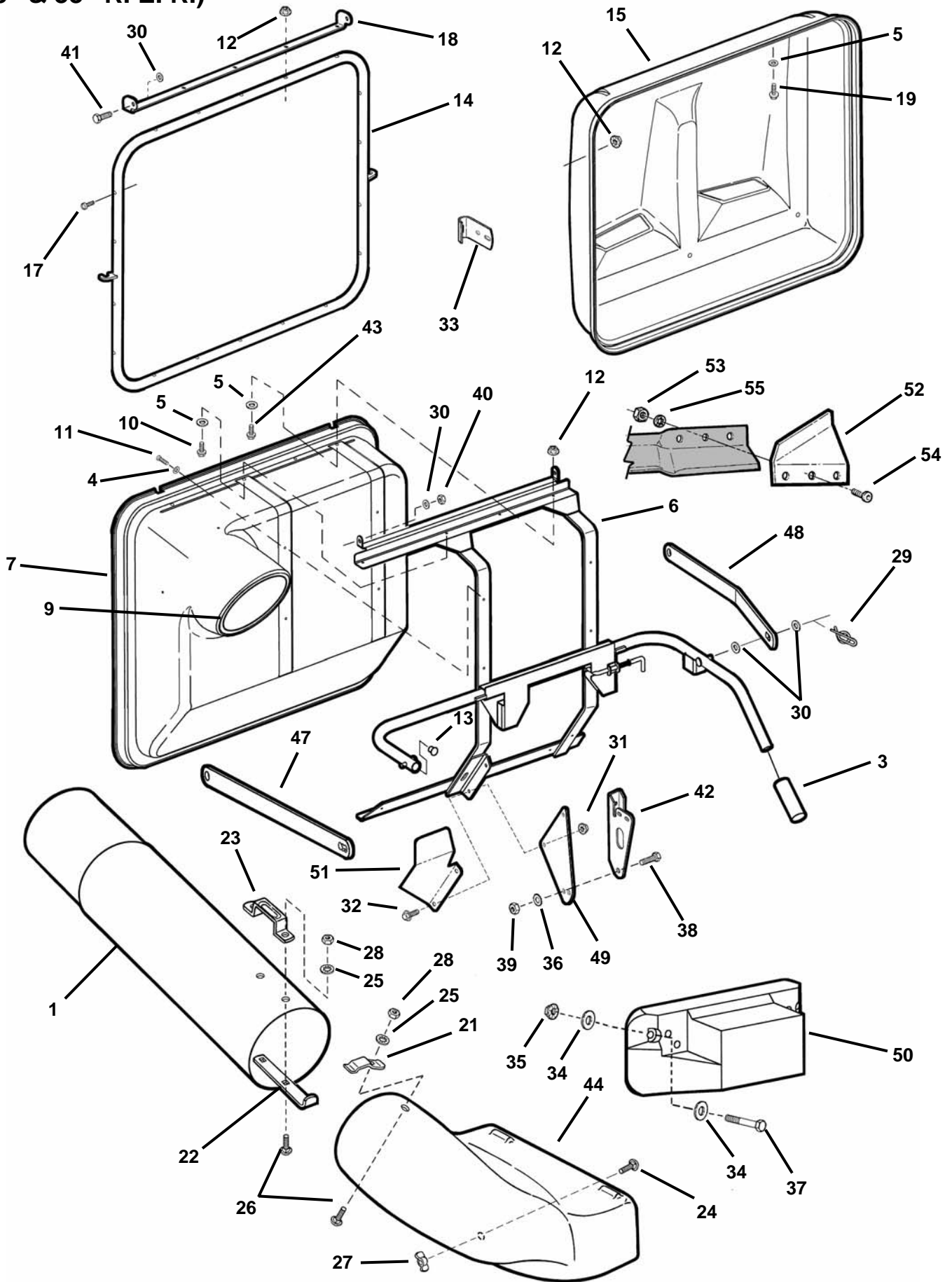


4-6627



1-1910

# ACCESSORY CLAMSHELL CATCHER (28" & 33" R. E. R.)



# ACCESSORY CLAMSHELL CATCHER (28" & 33" R. E. R.)

| ITEM | PART NO. | DESCRIPTION                                    |
|------|----------|--|
| --   | 6-3125   | KIT, Grass Catcher                             |
| 1    | 1-4517   | TUBE, Grass (36" long)                         |
| 2    | 2-8700   | DECAL, Read Manual                             |
| 3    | 1-1870   | GRIP   |
| 4    | 1-6314   | WASHER, 11/32 Flat (9)                         |
| 5    | 3-6422   | WASHER, 3/16 Flat (30)                         |
| 6    | 5-8615   | WELDMENT, Front Cover Brace                    |
| 7    | 7-2873   | COVER, Front                                   |
| 8    | 7-2874   | DEFLECTOR (Not Shown)                          |
| 9    | 7-2950   | GASKET, Chute                                  |
| 10   | 9-0307   | SCREW, #10-24 x 1/2" Self-Tap (3)              |
| 11   | 9-0999   | SCREW, 1/4-20 x 5/8" Pan Head Self-Tapping (9) |
| 12   | 9-1079   | NUT, #10-24 Hex Flange Lock (22)               |
| 13   | 7-2951   | END CAP, Tube                                  |
| 14   | 5-8600   | WELDMENT, Rear Cover Brace                     |
| 15   | 7-2872   | COVER, Rear                                    |
| 16   | 7-2876   | GRILL, Rear Cover (Not Shown)                  |
| 17   | 7-3145   | BOLT, #10-24 x 1-1/2" Oval Hd. (13)            |
| 18   | 7-3179   | HINGE, Rear Cover                              |
| 19   | 9-1265   | SCREW, #10-24 x 1-1/2 Machine (5)              |
| 20   | 7-2964   | DECAL, Warning                                 |
| 21   | 3-1951*  | LATCH, Chute/Tube                              |
| 22   | 3-1952*  | BASE, Handle                                   |
| 23   | 3-7745*  | HANDLE, Tube                                   |
| 24   | 9-1303*  | BOLT, 5/16-18 x 1" Carriage                    |
| 25   | 9-1314*  | WASHER, 1/4 Int. Tooth Lock (3)                |
| 26   | 9-1530*  | BOLT, 1/4-20 x 3/4" Carriage (3)               |
| 27   | 9-1537*  | NUT, 5/16-18 Wing                              |
| 28   | 9-1576*  | NUT, 1/4-20 Hex (3)                            |

| ITEM | PART NO. | DESCRIPTION                                 |
|------|----------|---|
| 29   | 9-1593*  | PIN, 3/8 Self Lock Cotter (2)               |
| 30   | 9-1514*  | WASHER, 3/8 Lock (8)                        |
| 31   | 9-1601*  | NUT, 5/16-18 Flange Lock (2)                |
| 32   | 9-1811*  | BOLT, 5/16-18 x 5/8" Hex Flange Lock (2)    |
| 33   | 3-1954*  | SUPPORT, Bumper                             |
| 34   | 2-1746*  | WASHER, 3/8 Flat (4)                        |
| 35   | 9-0499   | NUT, 3/8-16 Hex Top Lock (2)                |
| 36   | 9-0509*  | WASHER, 1/2 Internal Tooth Lock             |
| 37   | 9-0590   | BOLT, 3/8-16 x 3" Hex Cap Gr. 5 (2)         |
| 38   | 9-0646*  | BOLT, 1/2-13 x 1" Hex Cap Gr. 5             |
| 39   | 9-1316*  | NUT, 1/2-13 Hex Gr. B                       |
| 40   | 9-1299*  | NUT, 3/8-16 Hex Lock (2)                    |
| 41   | 9-1304*  | SCREW, 3/8-16 x 1" Hex Cap (2)              |
| 42   | 5-8745*  | BRACE, Bumper                               |
| 43   | 9-0624*  | BOLT, #10-24 x 3/4" Flange Lock             |
| 44   | 5-8641   | ASSEMBLY, Chute (Includes items 45 & 46)    |
| 45   | 2-9784   | DECAL, International Warning                |
| 46   | 4-6720   | DECAL, Chute/Deflector                      |
| 47   | 7-3172   | LINK, Handle (Right Hand)                   |
| 48   | 7-3173   | LINK, Handle (Left Hand)                    |
| 49   | 7-3171   | PLATE, Hitch                                |
| 50   | 7-3271   | WEIGHT (46 lb.)                             |
| 51   | 5-8902   | SHIELD, Heat                                |
| --   | 6-0480   | KIT, Air Lift (Incl. Items 50 thru 53)      |
| 52   | 3-7723   | Air Lift (2)                                |
| 53   | 9-0223   | NUT, 5/16-24 Hex (6)                        |
| 54   | 9-0228   | SCREW, 5/16-24 x 5/8" Oval Head Machine (6) |
| 55   | 9-0391   | WASHER, 5/16 Int. Tooth Lock (6)            |

**WARNING**  
USE WEIGHT OR A WEIGHTED LOAD CARRIER IN ACCORDANCE WITH INSTRUCTIONS SUPPLIED WITH GRASS CATCHER.  
DO NOT OPERATE MACHINE ON SLOPES EXCEEDING 10 DEGREES (18% GRADE), WHEN EQUIPPED WITH GRASS CATCHER.

**WARNUNG**  
VERWENDEN SIE EIN GEWICHT ODER EINEN MIT EINEM GEWICHT ALS TRÄGER FÜR DIE GRASFANGERHÖLZE MIT DEN GRASFAANGERHÖLZEN MITGELIEFERTEN ANWEISUNGEN.  
BETRIEBEN SIE DIE MASCHINE NENN SIE MIT DEM GRASAUFFANGER AUSGESTÜTT IST NICHT AUF HANGEN MIT EINER PENTE VON WECH ALS 10 GRAD. (18% STEIGUNG)

**ATTENTION**  
UTILISER UN POIDS OU UN PORTE-CHARGE PONDRE CONFORMEMENT AUX INSTRUCTIONS FOURNIES A VEC LE COLLECTEUR D'HERBE.  
NE PAS UTILISER LA MACHINE SUR UN TERRAIN EN PENTE DE PLUS DE 10 DEGRES (18% LA LORSQUE LA TONDEUSE EST EQUIPEE DU COLLECTEUR D'HERBE.

**WAARSCHUWING**  
GEBRUIK EEN GEWICHT OF EEN MET GEWICHT BELASTE DRAGER OVEREENKOMSTIG MET DE INSTRUCTIES BIJ DE GRASOPVANGBAK.  
GEBRUIK DE MASCHINE NIET OP HELLINGEN VAN MEER DAN 10 GRADEN, 18% ALS DE UTTOERUST IS MET DE GRASOPVANGBAK.

**ADVERTENCIA**  
UTILICE UN TRANSPORTADOR DE CARGA PONDERADA DE ACUERDO CON LAS INSTRUCCIONES FACILITADAS CON EL RECOLECTOR DE HIERBA.  
NO UTILICE LA MAQUINA EN PENDIENTES QUE SUPEREN LOS 10 GRADOS, (18% DE INCLINACION), CUANDO ESTE EQUIPADA CON RECOLECTOR DE HIERBA.

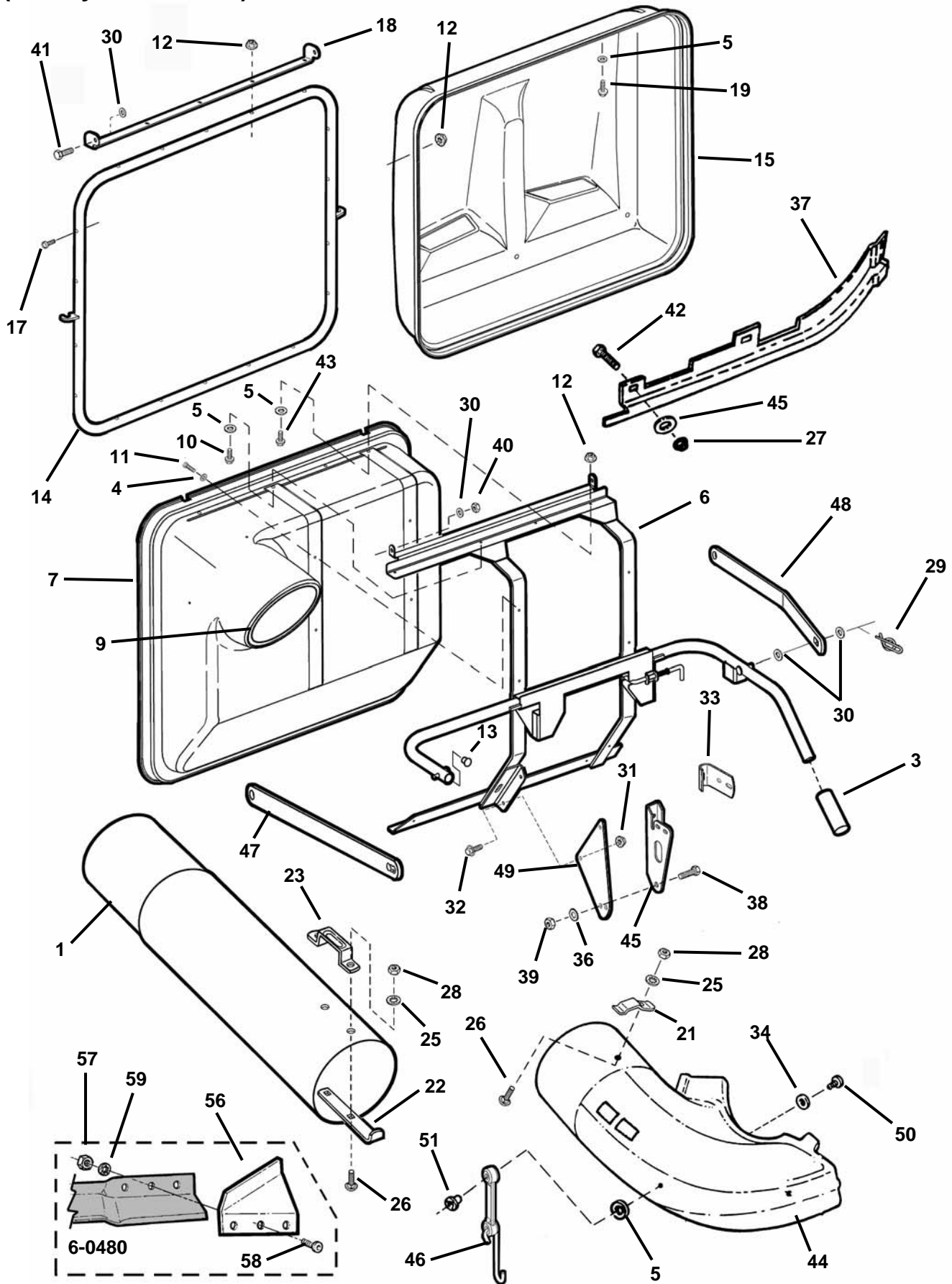
**ATTENZIONE**  
USARE IL PESO O APPESANTIRE IL PORTA CARICO COME INDICATO NELLE ISTRUZIONI FORNITE INSIEME AL RACCOLTERBA.  
NON USARE LA FALCIATRICE PROVISTA DI RACCOLTERBA SU TERRENI CON PENDENZE SUPERIORI AL 10 GRADI, (18%).

**\*NOTE:** The asterisk marked items are included in Hardware Bag 5-8609.



- ⊘ De machine niet gebruiken zonder de grasopvangzak of de beschermkap
- ⊘ Do not operate without entire Grass Catcher or Guard in place
- ⊘ Ne pas utiliser sans le bac de ramassage ou la projection en place
- ⊘ Betreiben Sie dieses Gerät nicht ohne Grasfangkorb oder Abdeckschutz
- ⊘ No manejar la máquina sin el recogedor o el protector en su lugar
- ⊘ Non utilizzare senza il Raccoglitore dell'Erba o senza Protezione

# ACCESSORY CLAMSHELL CATCHER (38" Hydro R. E. R.)



MANUAL No. 06084

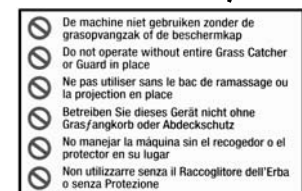
R. E. R. & YARD CRUISER ACCESSORIES



# ACCESSORY CLAMSHELL CATCHER (38" Hydro R. E. R.)

| ITEM | PART NO. | DESCRIPTION                                       |
|------|----------|---|
| --   | 6-3130   | KIT, Grass Catcher                                |
| 1    | 7-3432   | TUBE, Grass (23-3/4" long)                        |
| 2    | 2-8700   | DECAL, Read Manual                                |
| 3    | 1-1870   | GRIP  |
| 4    | 1-6314   | WASHER, 11/32 Flat (9)                            |
| 5    | 3-6422   | WASHER, 3/16 Flat (32)<br>(3 in hardware bag)     |
| 6    | 5-8615   | WELDMENT, Front Cover<br>Brace                    |
| 7    | 7-2873   | COVER, Front                                      |
| 8    | 7-2874   | DEFLECTOR (Not Shown)                             |
| 9    | 7-2950   | GASKET, Chute                                     |
| 10   | 9-0307   | SCREW, #10-24 x 1/2" Self-<br>Tapping (3)         |
| 11   | 9-0999   | SCREW, 1/4-20 x 5/8" Pan<br>Head Self-Tapping (9) |
| 12   | 9-1079   | NUT, #10-24 Hex Fl. Lock (22)                     |
| 13   | 7-2951   | END CAP, Tube                                     |
| 14   | 5-8600   | WELDMENT, Rear Cover Brace                        |
| 15   | 7-2872   | COVER, Rear                                       |
| 16   | 7-2876   | GRILL, Rear Cover (Not Shown)                     |
| 17   | 7-3145   | BOLT, #10-24 x 1-1/2" Oval<br>Head (13)           |
| 18   | 7-3179   | HINGE, Rear Cover                                 |
| 19   | 9-1265   | SCREW, #10-24 x 1-1/2"<br>Machine (5)             |
| 20   | 7-2964   | DECAL, Warning                                    |
| 21   | 3-1951*  | LATCH, Chute/Tube                                 |
| 22   | 3-1952*  | BASE, Handle                                      |
| 23   | 3-7745   | HANDLE, Tube                                      |
| 24   | 9-1540   | SCREW, 5/16-18 x 1-1/2" Hex<br>Head Cap, Grade 5  |

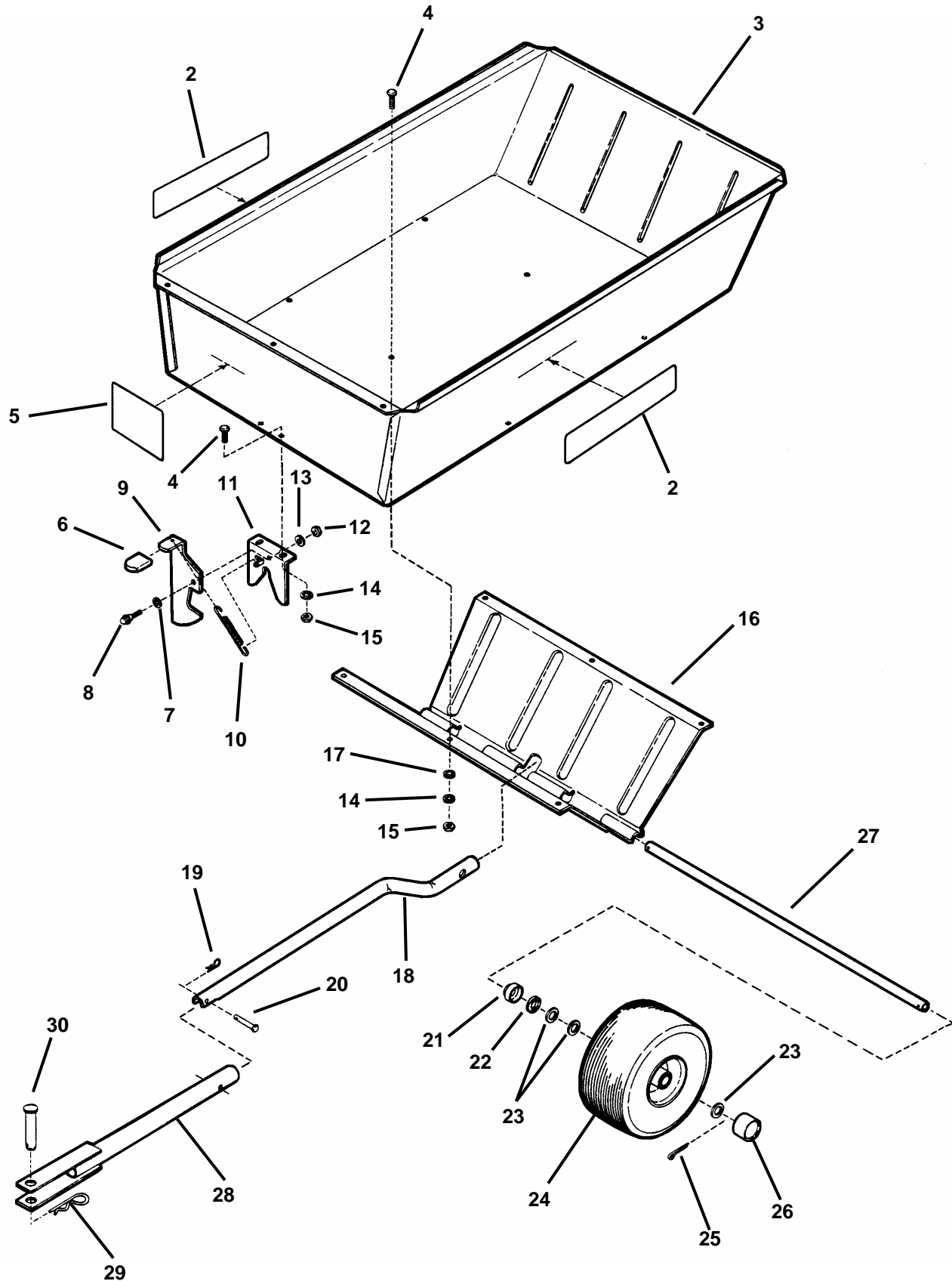
| ITEM | PART NO. | DESCRIPTION  |
|------|----------|--|
| 25   | 9-1314*  | WASHER, 1/4 Internal Tooth<br>Lock (3)                         |
| 26   | 9-1530*  | BOLT, 1/4-20 x 3/4" Round<br>Hd. Short Nk. Carriage, Gr. 5 (3) |
| 27   | 9-1575   | NUT, 5/16-18 Hex Ctr. Lock (2)                                 |
| 28   | 9-1576*  | NUT, 1/4-20 Hex (3)  |
| 29   | 9-1593*  | PIN, 3/8 Self Lock Cotter (2)                                  |
| 30   | 9-1514*  | WASHER, 3/8 Flat (8)   |
| 31   | 9-1601*  | NUT, 5/16-18 Flange Lock (8)                                   |
| 32   | 9-1811*  | BOLT, 5/16-18 x 5/8" Hex<br>Flange Lock (3)                    |
| 33   | 3-1954*  | SUPPORT, Bumper  |
| 34   | 9-1552*  | WASHER, .219 I.D. Flat (2)                                     |
| 35   | 7-3509   | SCREEN, Clamshell (not<br>shown)                               |
| 36   | 9-0509*  | WASHER, 1/2 Internal Tooth<br>Lock                             |
| 37   | 4-4726   | BAFFLE, 38 Deck MY 97  |
| 38   | 9-0646*  | BOLT, 1/2-13 x 1" Hex Head<br>Cap Grade 5                      |
| 39   | 9-1316*  | NUT, 1/2-13 Hex Grade B  |
| 40   | 9-1299*  | NUT, 3/8-16 Hex Lock (2)                                       |
| 41   | 9-1304*  | SCREW, 3/8-16 x 1" Hex Head<br>Cap, Grade 5 (2)                |
| 42   | 9-1318*  | SCREW, 5/16-18 x 3/4" Hex<br>Head Cap, Grade 5 (3)             |
| 43   | 9-0624*  | BOLT, #10-24 x 3/4" Hex<br>Flange Lock, Grade 5                |
| 44   | 5-8658*  | ASS'Y, Chute (Incl. 44A & 44B)                                 |
| 44A  | 2-9784   | DECAL, International Warning                                   |
| 44B  | 4-6720   | DECAL, Chute/Deflector   |
| 45   | 5-8745*  | BRACE, Bumper  |
| 46   | 3-6433*  | STRAP, Bag Adap./Tube (2)                                      |
| 47   | 7-3172   | LINK, Handle (Right Hand)                                      |
| 48   | 7-3173   | LINK, Handle (Left Hand)                                       |
| 49   | 7-3171   | PLATE, Hitch   |
| 50   | 3-6415*  | SCREW, 10/24 x 5/8" Pan<br>Head (2)                            |
| 51   | 3-6404*  | NUT, Weld- 10/24 Thread (2)                                    |
| 52   | 3-6543*  | TEENUT, 5/16-18  |
| 53   | 9-1296*  | WASHER, 5/16" Flat (3)   |
| 54   | 9-1506*  | SCREW, 5/16-18 x 1-1/2"<br>Self Tapping (2)                    |
| 55   | 9-1833*  | SCREW, 5/16-18 Pan Hd. Nyloc                                   |
| --   | 6-0480   | KIT, Air Lift (w/Items 56 thru 59)                             |
| 56   | 3-7723   | Air Lift (2)   |
| 57   | 9-0223   | NUT, 5/16-24 Hex (6)   |
| 58   | 9-0228   | SCREW, 5/16-24 x 5/8" Oval<br>Head Machine (6)                 |
| 59   | 9-0391   | WASHER, 5/16 Int. Tooth Lock (6)                               |



**\*NOTE:** The asterisk marked items are included in Hardware Bag 5-8974.

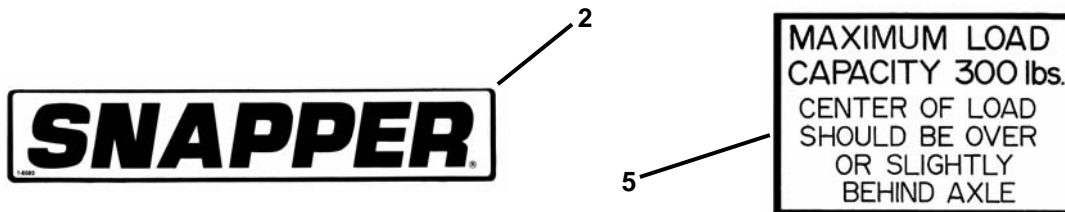
# ACCESSORY, DUMP CART (Snapper Kit)

## 1 KIT, Dump Cart Wagon

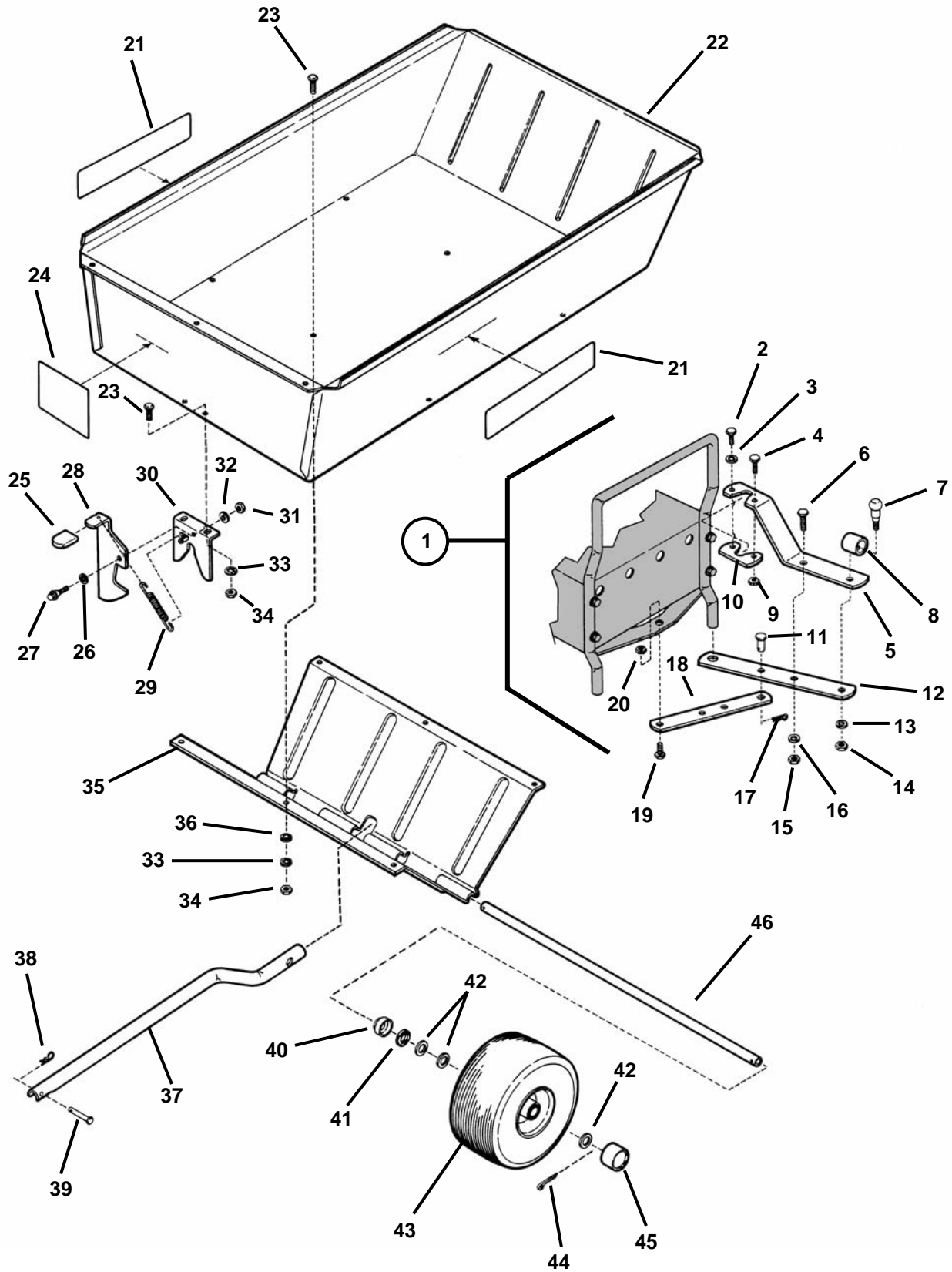


## ACCESSORY, DUMP CART (Snapper Kit)

| ITEM | PART NO. | DESCRIPTION                                       |
|------|----------|---|
| 1    | 6-0697   | KIT, Dump Cart Wagon (Includes Items 2 Thru 30)   |
| 2    | 1-8593   | DECAL, SNAPPER (2)                                |
| 3    | 4-0446   | BODY, Wagon Cart                                  |
| 4    | 9-0074   | BOLT, 1/4-20 x 3/4" Carriage (8)                  |
| 5    | 1-2464   | DECAL, Maximum Load Warning                       |
| 6    | 1-2391   | GRIP, Latch                                       |
| 7    | 1-1724   | WASHER, Spring Steel                              |
| 8    | 1-1078   | BOLT, 5/16-18 x 1" Shoulder                       |
| 9    | 3-7736   | LATCH   |
| 10   | 2-9025   | SPRING, Latch                                     |
| 11   | 3-7737   | YOKE  |
| 12   | 9-0196   | NUT, 5/16-18 Hex                                  |
| 13   | 9-0187   | WASHER, 5/16 Split Lock                           |
| 14   | 9-0053   | WASHER, 1/4 Internal Tooth Lock (8)               |
| 15   | 9-0063   | NUT, 1/4-20 Hex (8)                               |
| 16   | 3-9604   | SUPPORT, Axle                                     |
| 17   | 1-2485   | RETAINER, 1/4 Bolt (6)                            |
| 18   | 3-1946   | TONGUE  |
| 19   | 1-1714   | PIN, 3/32 1-7/8" Hair                             |
| 20   | 1-1713   | PIN, 3/8 x 2-1/4" Clevis                          |
| 21   | 3-1038   | CAP, Dust (2)                                     |
| 22   | 1-1032   | WASHER, 1-1/8 x 1-1/2" O.D. Felt (2)              |
| 23   | 1-0935   | WASHER, 49/64 x 1-1/8" O.D. Flat (6)              |
| 24   | 5-2267   | ASSEMBLY, Wheel & Tire (Pneumatic; 11x4.00-4) (2) |
| 25   | 9-0364   | PIN, 5/32 x 1" Cotter (2)                         |
| 26   | 1-1022   | CAP. Hub (2)                                      |
| 27   | 3-1949   | AXLE  |
| 28   | 4-7869   | DRAW-BAR (not included in Kit 6-0947)             |
| 29   | 1-5067   | PIN, 3/32 x 1-1/2" Hair                           |
| 30   | 1-1768   | PIN, 1/2 x 2" Clevis                              |



# ACCESSORY, BAG-N-WAGON (Pages 52-56)



## ACCESSORY, BAG-N-WAGON (Pages 52-56)

| ITEM | PART NO. | DESCRIPTION                                       |
|------|----------|---|
| 1    | 6-0734   | KIT, Hitch Assembly (Includes Items 2 Thru 20)    |
| 2    | 9-0203   | SCREW, 5/16-18 x 1/2" Hex Head Cap                |
| 3    | 9-0391   | WASHER, 5/16 Internal Tooth Lock                  |
| 4    | 9-0206   | SCREW, 5/16-18 x 3/4" Hex Head Cap                |
| 5    | 2-9562   | BAR, Upper Draw                                   |
| 6    | 9-0160   | SCREW, 3/8-24 x 1" Hex Head Cap                   |
| 7    | 1-2388   | BALL, Hitch                                       |
| 8    | 2-1762   | COLLAR, Hitch                                     |
| 9    | 9-0184   | NUT, 5/16-18 Hex Center Lock                      |
| 10   | 2-7713   | CLIP, Retaining                                   |
| 11   | 1-2389   | PIN, Hitch Clevis                                 |
| 12   | 3-7742   | BRACE, Draw Bar                                   |
| 13   | 9-0247   | WASHER, 3/8 Split Lock                            |
| 14   | 9-0460   | NUT, 7/16-20 Hex                                  |
| 15   | 9-0155   | NUT, 3/8-24 Hex                                   |
| 16   | 9-0118   | WASHER, 3/8 Split Lock                            |
| 17   | 1-5067   | PIN, 3/32 x 1-1/2" Hair                           |
| 18   | 3-7743   | BAR, Lower Draw                                   |
| 19   | 9-0268   | SCREW, 1/2-20 x 1" Hex Head Cap                   |
| 20   | 9-0819   | NUT, 1/2-20 Hex Center Lock                       |
| 21   | 1-8593   | DECAL, SNAPPER (2)                                |
| 22   | 4-0446   | BODY, Wagon Cart                                  |
| 23   | 9-0074   | BOLT, 1/4-20 x 3/4" Carriage (8)                  |
| 24   | 1-2464   | DECAL, Maximum Load Warning                       |
| 25   | 1-2391   | GRIP, Latch                                       |
| 26   | 1-1724   | WASHER, Spring Steel                              |
| 27   | 1-1078   | BOLT, 5/16-18 x 1" Shoulder                       |
| 28   | 3-7736   | LATCH   |
| 29   | 1-3694   | SPRING, Latch                                     |
| 30   | 3-7737   | YOKE  |
| 31   | 9-0196   | NUT, 5/16-18 Hex                                  |
| 32   | 9-0187   | WASHER, 5/16 Split Lock                           |
| 33   | 9-0053   | WASHER, 1/4 Internal Tooth Lock (8)               |
| 34   | 9-0063   | NUT, 1/4-20 Hex (8)                               |
| 35   | 3-9604   | SUPPORT, Axle                                     |
| 36   | 1-2485   | RETAINER, 1/4 Bolt (6)                            |
| 37   | 3-1946   | TONGUE  |
| 38   | 1-1714   | PIN, 3/32 1-7/8" Hair                             |
| 39   | 1-1713   | PIN, 3/8 x 2-1/4" Clevis                          |
| 40   | 3-1038   | CAP, Dust (2)                                     |
| 41   | 1-1032   | WASHER, 1-1/8 x 1-1/2" O.D. Felt (2)              |
| 42   | 1-0935   | WASHER, 49/64 x 1-1/8" O.D. Flat (6)              |
| 43   | 5-2267   | ASSEMBLY, Wheel & Tire (Pneumatic; 11x4.00-4) (2) |
| 44   | 9-0364   | PIN, 5/32 x 1" Cotter (2)                         |
| 45   | 1-1022   | CAP. Hub (2)                                      |
| 46   | 3-1949   | AXLE  |



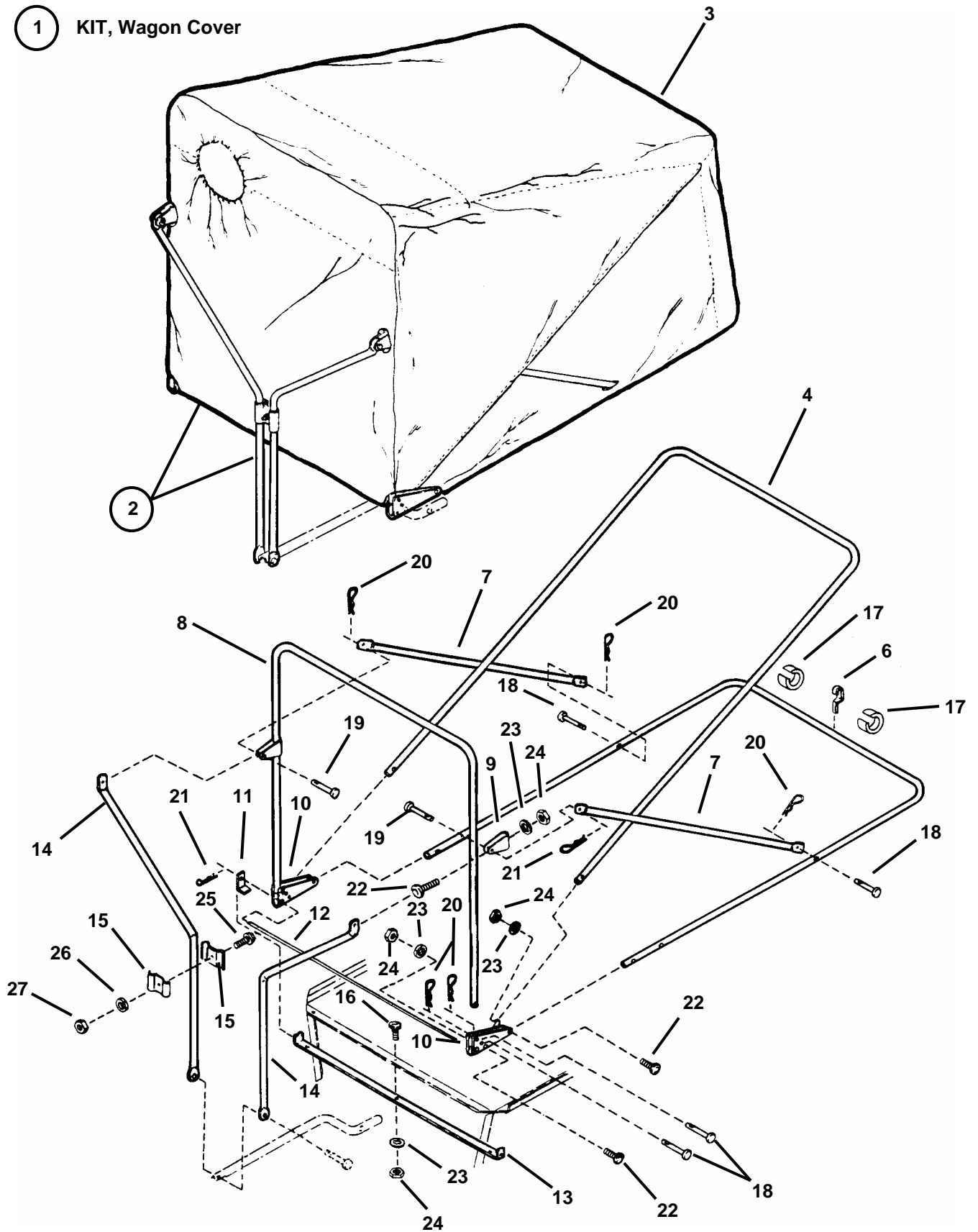
21

24

**MAXIMUM LOAD  
CAPACITY 300 lbs.**  
CENTER OF LOAD  
SHOULD BE OVER  
OR SLIGHTLY  
BEHIND AXLE

# ACCESSORY, BAG-N-WAGON (Pages 52-56)

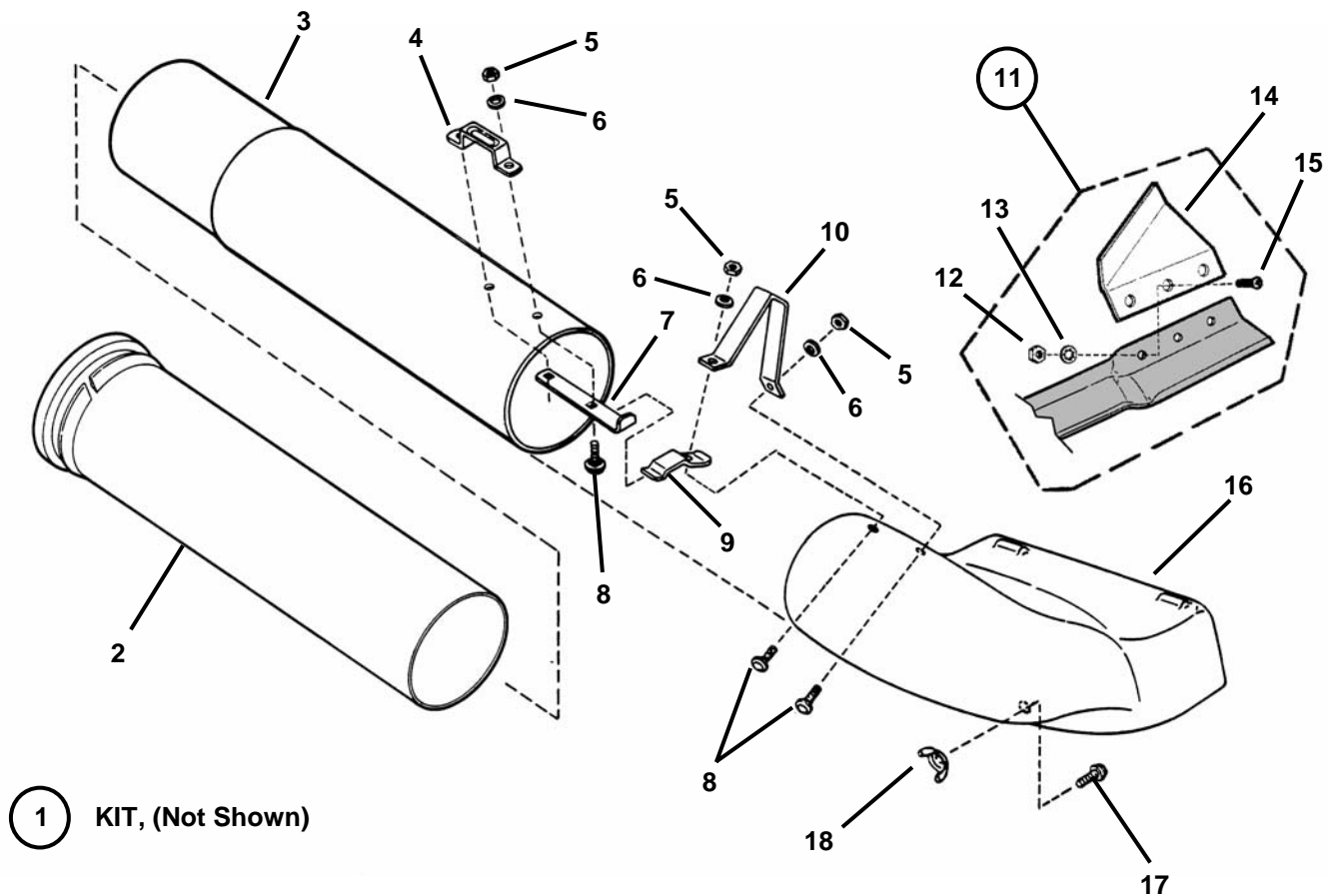
1 KIT, Wagon Cover



## ACCESSORY, BAG-N-WAGON (Pages 52-56)

| ITEM | PART NO. | DESCRIPTION   |
|------|----------|---|
| 1    | 6-0964   | KIT, Wagon Cover (Includes Items 2 Thru 27)         |
| 2    | 5-1936   | ASSEMBLY, Frame - Canopy (Includes Items 3 Thru 27) |
| 3    | 2-3818   | CANOPY, Cloth (Charcoal)                            |
| 4    | 3-1943   | FRAME, Center                                       |
| 5    | 3-1945   | FRAME, Base   |
| 6    | 3-1950   | LOCK, Canopy  |
| 7    | 3-1941   | BRACE, Frame (2)                                    |
| 8    | 3-1944   | FRAME, Front  |
| 9    | 3-1939   | CLAMP, Rod (2)                                      |
| 10   | 3-1938   | BRACKET, Corner (2)                                 |
| 11   | 3-1948   | CLIP, Hinge   |
| 12   | 2-1761   | PIN, Hinge  |
| 13   | 3-1940   | MOUNT, Hinge  |
| 14   | 3-1942   | STRUT, Frame (2)                                    |
| 15   | 3-1956   | CLAMP, Strut (2)                                    |
| 16   | 9-0074   | BOLT, 1/4-20 x 3/4" Short Neck Carriage, Gr. 5 (3)  |
| 17   | 2-3791   | RING, Black (Plastic Wear Pads) (2)                 |
| 18   | 1-2393   | PIN, 1/4 x 1-1/8" Clevis (6)                        |
| 19   | 1-2407   | PIN, 5/16 x 1-11/16 Clevis (2)                      |
| 20   | 1-2431   | PIN, 1/4 x 1-1/8" Hair (6)                          |
| 21   | 1-5067   | PIN, 3/32 x 1-1/2" Hair (2)                         |
| 22   | 9-0496   | BOLT, 1/4-20 x 1" Short Neck Carriage (6)           |
| 23   | 9-0053   | WASHER, 1/4 Internal Tooth Lock (8)                 |
| 24   | 9-0063   | NUT, 1/4-20 Hex (9)                                 |
| 25   | 9-0160   | SCREW, 3/8-24 x 1" Hex Head Cap, Grade 5            |
| 26   | 9-0118   | WASHER, 3/8 Split Lock                              |
| 27   | 9-0155   | NUT, 3/8-24 Hex                                     |

## ACCESSORY, BAG-N-WAGON (Pages 52-56)

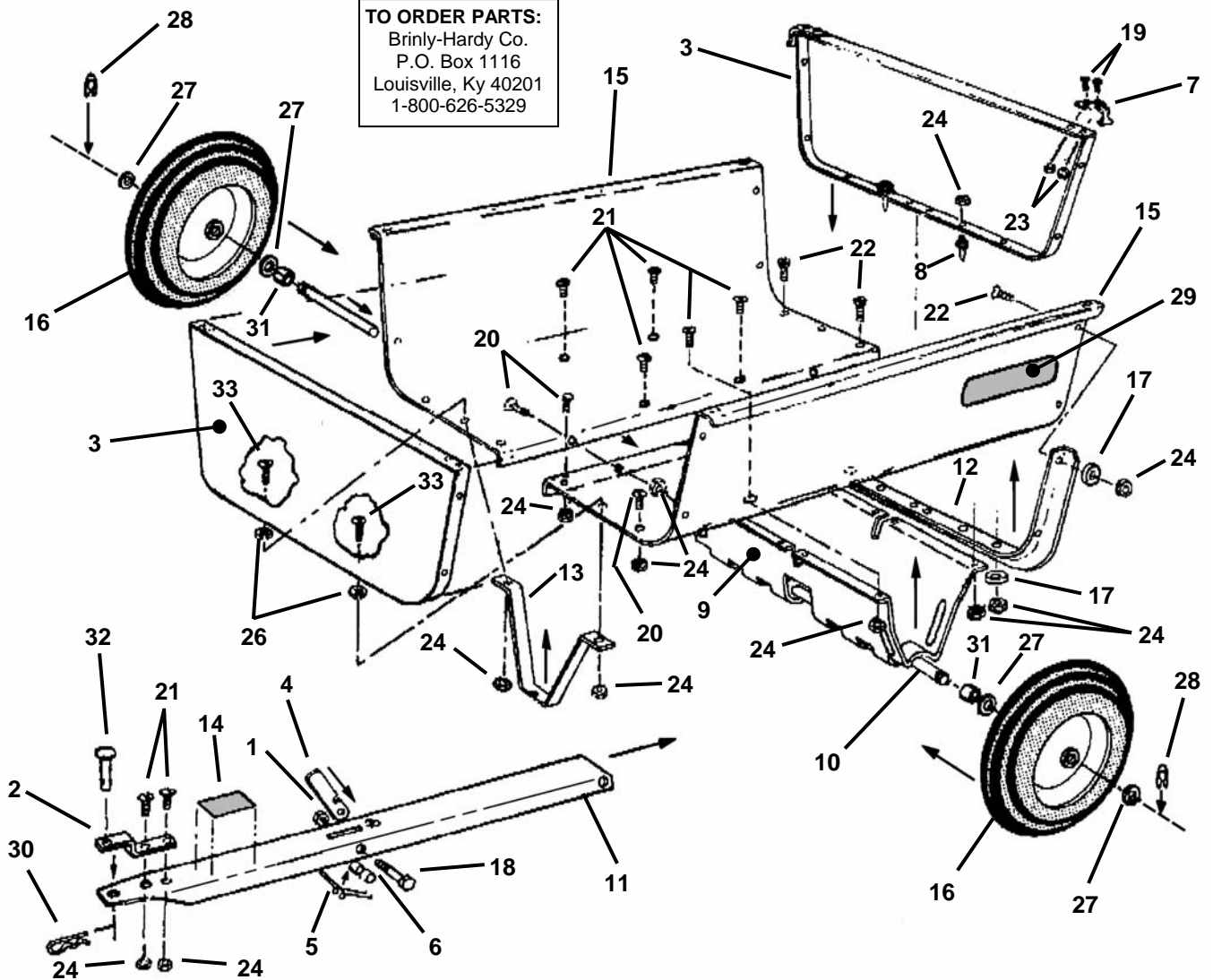


1 KIT, (Not Shown)

| ITEM | PART NO. | DESCRIPTION  |
|------|----------|--|
| 1    | 6-0947   | KIT, Snapper Bag-N-Wagon (Complete; includes all of pages 52 through 56) |
| -    | 6-0964   | KIT, Wagon Cover (Part of Kit #6-0947)                                   |
| 2    | 1-8985   | TUBE, Grass (Canopy)   |
| 3    | 2-3115   | TUBE, Grass (Deck Adapter)   |
| 4    | 3-7745   | HANDLE, Tube   |
| 5    | 9-0063   | NUT, 1/4-20 Hex (4)  |
| 6    | 9-0053   | WASHER, 1/4" Internal Tooth Lock (4)                                     |
| 7    | 3-1952   | BASE, Handle   |
| 8    | 9-0074   | BOLT, 1/4-20 x 3/4" Short Neck Carriage (4)                              |
| 9    | 3-1951   | LATCH, Tube  |
| 10   | 3-7725   | BRACKET, Stand-Off   |
| 11   | 6-0480   | KIT, Air Lift (Includes Items 12 Thru 15)                                |
| 12   | 9-0223   | NUT, 5/16-24 Hex (6)   |
| 13   | 9-0391   | WASHER, 5/16" Internal Tooth Lock (6)                                    |
| 14   | 3-7723   | AIR-LIFT (2)   |
| 15   | 9-0228   | SCREW, 5/16-24 x 11/16" Machine (6)                                      |
| 16   | 1-9912   | ADAPTER, Deck  |
| 17   | 9-0383   | BOLT, 5/16-18 x 1" Short Neck Carriage, Grade 5                          |
| 18   | 9-0375   | NUT, 5/16-18 Wing  |
| 19   | 9-0548   | SCREW, 1/4-20 x 1" Hex Head Cap, Grade 5                                 |

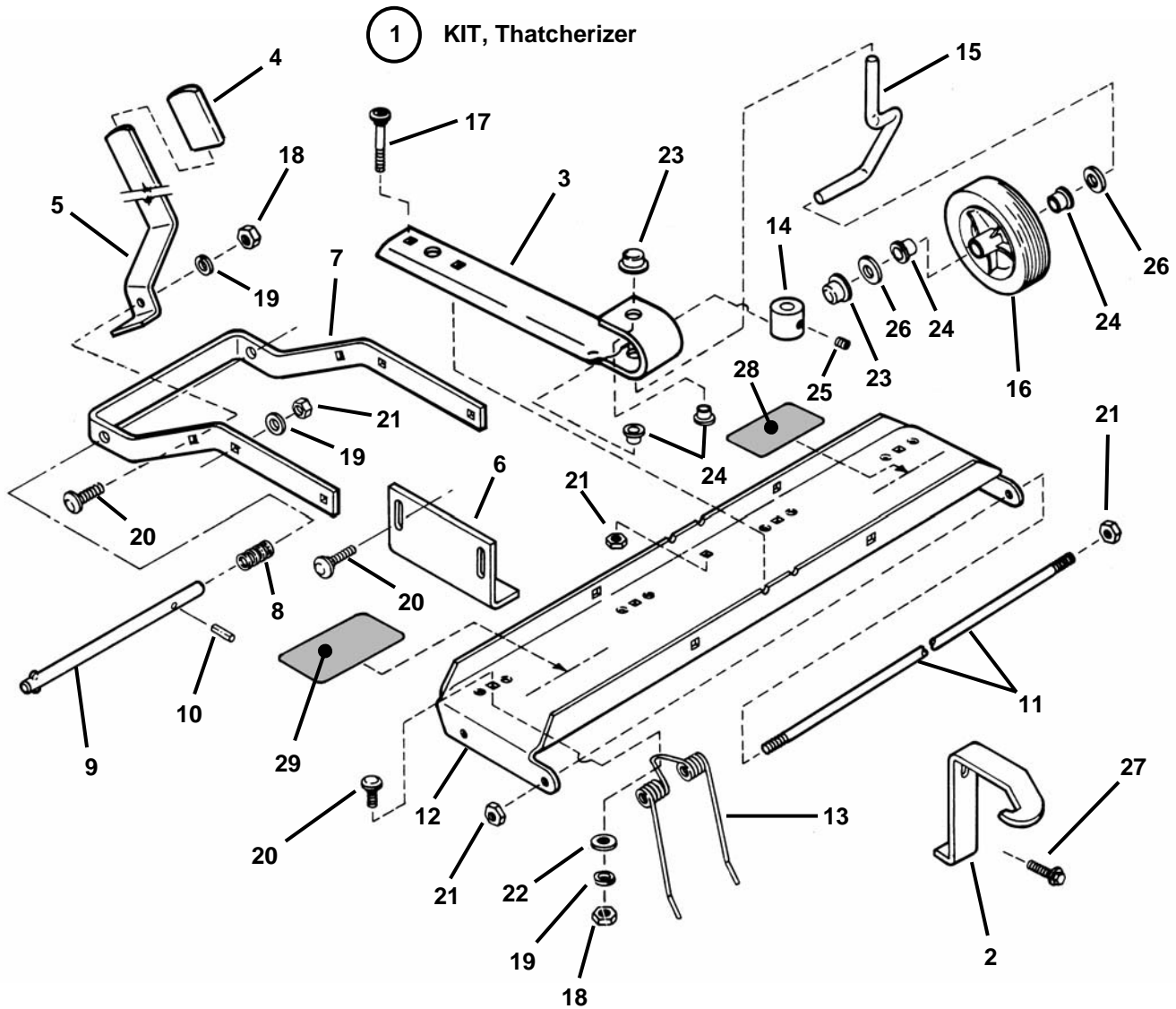


## ACCESSORY, DUMP CART (Yard Cruiser) (Brinley-Hardy Kit)



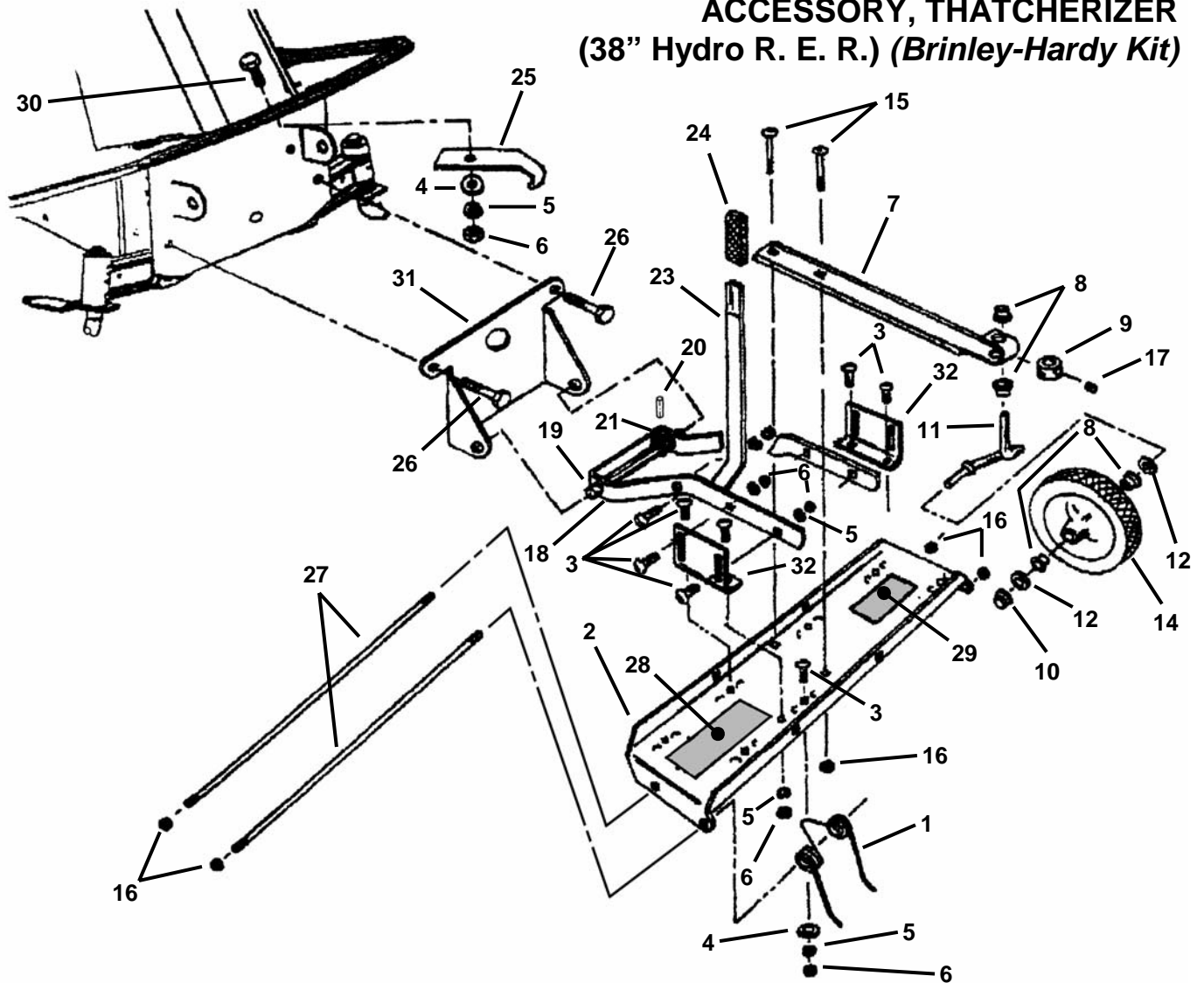
| ITEM | PART NO.  | DESCRIPTION                         | ITEM | PART NO. | DESCRIPTION                           |
|------|-----------|-------------------------------------|------|----------|---------------------------------------|
| --   | 6-1910    | KIT, Dump Cart<br>(incl. 1 thru 33) | 17   | R-618    | WASHER, Special (8)                   |
| 1    | B-1675P   | NUT, 3/8 Hex Lock                   | 18   | 1M1256P  | BOLT, 3/8 x 3-1/2" Hex Hd.            |
| 2    | B-3034-10 | CLEVIS                              | 19   | 20M0808P | SCR., 1/4x1/2" Round Hd. (4)          |
| 3    | B-3300-10 | END PANEL, F/R (2)                  | 20   | 20M1008P | SCREW, 5/16 x 1/2" Round<br>Head (12) |
| 4    | B-3301-10 | BAR, Handle Lock                    | 21   | 21M1012P | SCREW, 5/16 x 3/4" Truss<br>Head (10) |
| 5    | B-3303    | SPRING, Handle                      | 22   | 26M1012P | SCR., 5/16 x 3/4" Flat Hd. (8)        |
| 6    | B-3305    | SPACER, Handle (2)                  | 23   | B-4785   | NUT, 1/4 Hex Lock (4)                 |
| 7    | B-5455-01 | BRACKET, Gate Lock (2)              | 24   | B-4786   | NUT, 5/16 Hex Lock (34)               |
| 8    | B-3307    | PIN, Gate Retainer (2)              | 26   | 40M1000P | WASHER, 5/16 Lock (2)                 |
| 9    | B-3308-10 | SUPPORT, Axle                       | 27   | 45M2525P | WASHER, 3/4" Flat (4)                 |
| 10   | B-4261    | AXLE                                | 28   | B-4305   | "E" RING, 3/4" (2)                    |
| 11   | B-3435-10 | DRAWBAR                             | 29   | B-5461   | DECAL, Logo (2)                       |
| 12   | B-3432-10 | ANGLE, Support                      | 30   | D-146P   | HAIRPIN, 1/8"                         |
| 13   | B-3520-10 | BRACKET, Lock                       | 31   | B-4421   | SPACER, Short (2)                     |
| 14   | B-5482    | DECAL, Caution                      | 32   | B-3861   | PIN, 1/2 x 2-1/4" Drawbar             |
| 15   | B-3407-10 | BED HALF, R/L (2)                   | 33   | 20M1016P | SCREW, 5/16 x 1" Round<br>Head (2)    |
| 16   | B-4600    | WHEEL (2)                           |      |          |                                       |

# ACCESSORY, 25" – 33" THATCHERIZER (Disc Drive R. E. R.)



| ITEM | PART NO. | DESCRIPTION                                       | ITEM | PART NO. | DESCRIPTION                      |
|------|----------|---|------|----------|----------------------------------|
| 1    | 6-0948   | KIT, 25"-33" Thatcherizer (Incl. Items 2 Thru 29) | 15   | 1-8493   | AXLE, Wheel                      |
| 2    | 3-2864   | BRACKET, Transport Lock                           | 16   | 1-8189   | WHEEL, 7"                        |
| 3    | 1-8700   | SUPPORT, Wheel Assembly                           | 17   | 9-0015   | BOLT, 1/4-20 x 1-3/4" Carr. (2)  |
| 4    | 1-4109   | GRIP, Handle                                      | 18   | 9-0196   | NUT, 5/16-18 Hex (9)             |
| 5    | 1-8494   | HANDLE, Lift                                      | 19   | 9-0187   | WASHER, 5/16 Split Lock (13)     |
| 6    | 1-4778   | BRACKET, Frame Mount (4)                          | 20   | 9-0383   | BOLT, 5/16-18 x 1" Carriage (13) |
| 7    | 1-6200   | FRAME, Thatcherizer                               | 21   | 9-0761   | NUT, 1/4-20 Hex Lock (10)        |
| 8    | 1-5594   | SPRING, Coupler                                   | 22   | 1-4098   | WASHER, Reinforcing (12)         |
| 9    | 1-5595   | ROD, Mounting                                     | 23   | 1-4101   | NUT, 1/2 Push (2)                |
| 10   | 1-4106   | PIN, 1/4 x 1-3/4" Roll                            | 24   | 1-4342   | BEARING, Nyliner (Snap-In) (4)   |
| 11   | 1-4110   | ROD, Tine Retainer                                | 25   | 1-4103   | SCREW, 5/16-18 x 1/4" Slot Set   |
| 12   | 1-9947   | TRAY, Tine (30.5")                                | 26   | 9-0250   | WASHER, 1/2 Flat (2)             |
| 13   | 1-8491   | SPRING, Tine Thatching (8)                        | 27   | 9-0765   | SCREW, 5/16-18 x 3/4" Self-Tap   |
| 14   | 1-4100   | BUSHING   | 28   | 1-4119   | DECAL, Instruction               |
|      |          |   | 29   | 1-4062   | DECAL, Thatcherizer              |

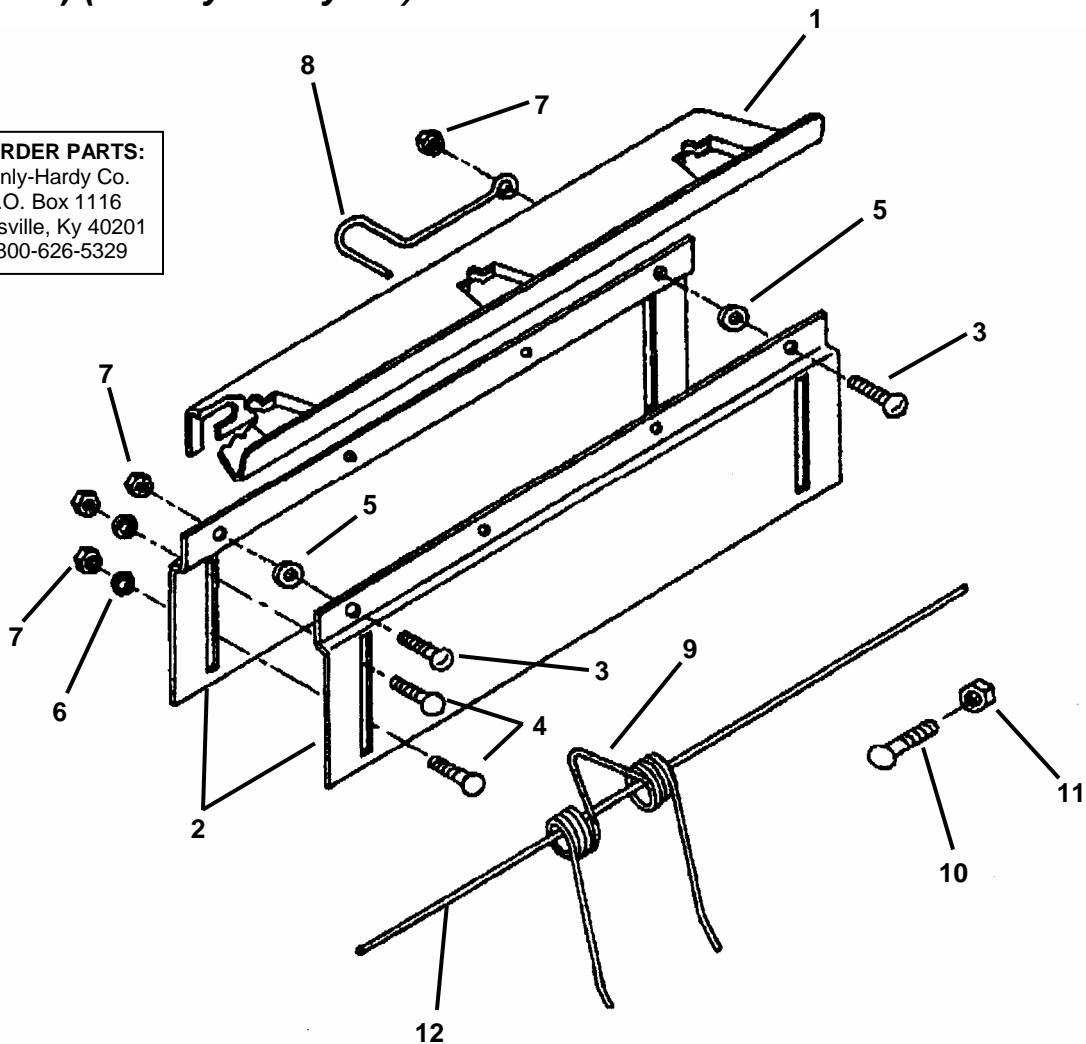
## ACCESSORY, THATCHERIZER (38" Hydro R. E. R.) (Brinley-Hardy Kit)



| ITEM | PART NO. | DESCRIPTION                                       | ITEM | PART NO. | DESCRIPTION                             |
|------|----------|---|------|----------|---|
| --   | 6-3120   | KIT, Thatcherizer<br>(Incl. items 1 thru 32)      | 16   | 9-0761   | NUT, 1/4-20 Hex Top Lock (6)            |
| 1    | 1-8491   | TINE (8)  | 17   | 1-4103   | SCREW, 5/16-18 x 1/4" Set               |
| 2    | 1-9947   | TRAY, Tine (30.5")                                | 18   | 7-2805   | FRAME, Main                             |
| 3    | 9-0383   | BOLT, 5/16-18 x 1" Short<br>Neck Carriage (15)    | 19   | 7-2803   | ROD, Mounting                           |
| 4    | 1-4098   | WASHER, 5/16" I.D. Flat (9)                       | 20   | 1-4106   | PIN, 1/4 x 1-3/4" Roll                  |
| 5    | 9-0187   | WASHER, 5/16" Split Lock(16)                      | 21   | 7-2804   | SPRING                                  |
| 6    | 9-0196   | NUT, 5/16-18 Hex (16)                             | 23   | 1-8494   | HANDLE, Lift                            |
| 7    | 1-8700   | SUPPORT, Wheel                                    | 24   | 1-4109   | GRIP, Vinyl                             |
| 8    | 1-4342   | BEARING, Nylon (4)                                | 25   | 7-2744   | BRACKET, Transport Lock                 |
| 9    | 1-4100   | LOCKING COLLAR                                    | 26   | 9-0590   | BOLT, 3/8-16 x 3" Hex (2)               |
| 10   | 1-4101   | PUSH NUT, 1/2" (2)                                | 27   | 1-4110   | ROD, Safety (2)                         |
| 11   | 1-8493   | AXLE  | 28   | 1-4062   | DECAL, Thatcherizer                     |
| 12   | 9-0250   | WASHER, 1/2" Flat (2)                             | 29   | 1-4119   | DECAL, Instructions                     |
| 14   | 1-8189   | GAUGE WHEEL                                       | 30   | 9-0595   | BOLT, 5/16-18 x 3/4" Hex<br>Flange Lock |
| 15   | 9-0015   | BOLT, 1/4-20 x 1-3/4"<br>Square Neck Carriage (2) | 31   | 7-2745   | BRACKET, Attaching                      |
|      |          |   | 32   | 1-4778   | BRACKET, Tray (2)                       |

# ACCESSORY, 36" DETHATCHER (Yard Cruiser) (Brinley-Hardy Kit)

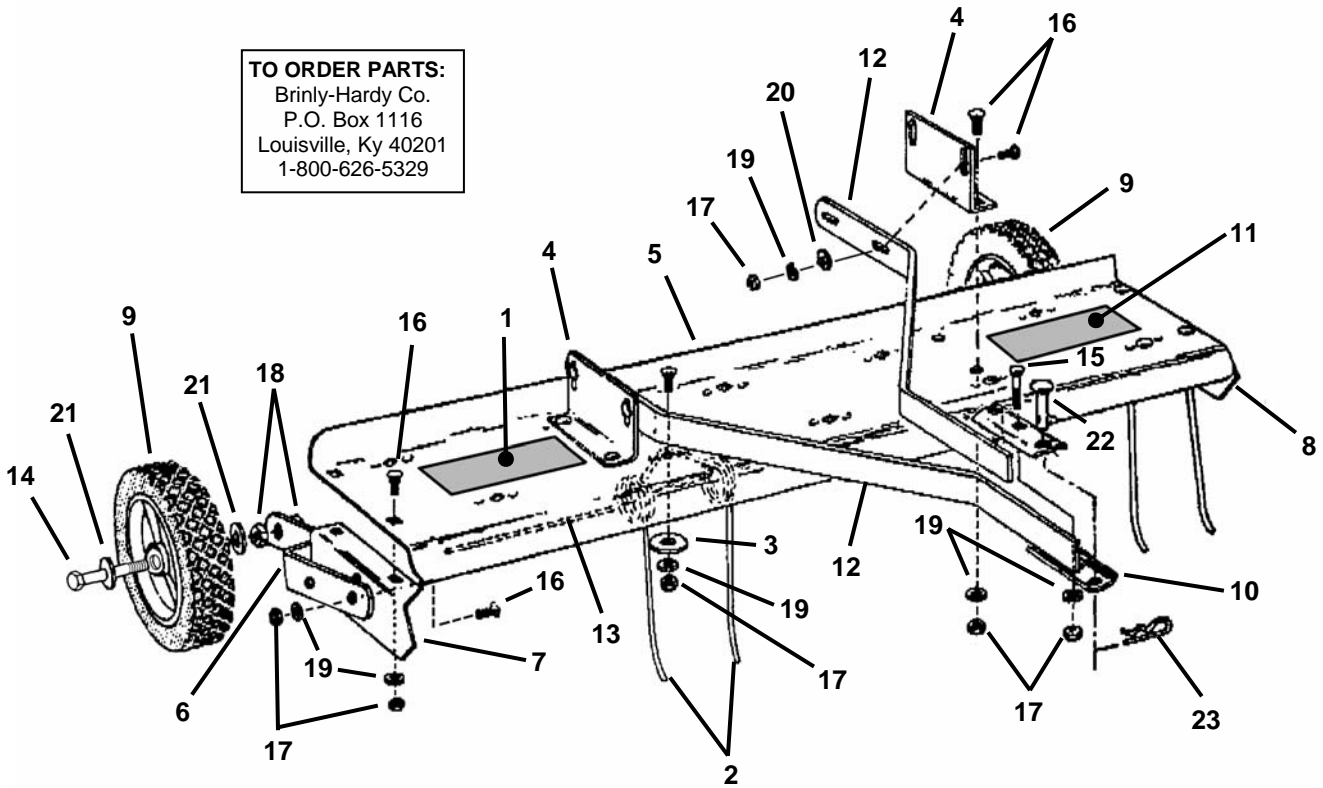
**TO ORDER PARTS:**  
Brinly-Hardy Co.  
P.O. Box 1116  
Louisville, Ky 40201  
1-800-626-5329



| ITEM | PART NO.  | DESCRIPTION                                    |
|------|-----------|--|
| --   | 6-1914    | KIT, 36" Dethatcher (Included items 1 thru 12) |
| 1    | R-1885-10 | SUPPORT, Tine (2)                              |
| 2    | R-1886-10 | HOLDER, Tine Support (4)                       |
| 3    | 20M0812P  | SCREW, 1/4 x 3/4" Machine (4)                  |
| 4    | 10M0816P  | BOLT, 1/4 x 1" Carriage (8)                    |
| 5    | R-1932    | SPACER (4)                                     |
| 6    | 45M0909P  | WASHER, 1/4" Flat (8)                          |
| 7    | B-4785    | NUT, 1/4" Nylon Insert (12)                    |
| 8    | R-1894    | HOOK SPRING (2)                                |
| 9    | R-628     | TINE (6)                                       |
| 10   | 10M1020P  | BOLT, 5/16 x 1-1/4" Carriage                   |
| 11   | B-1674P   | NUT, 5/16" Hex Lock                            |
| 12   | R-1901    | SAFETY WIRE (2)                                |

## ACCESSORY, 40" DETHATCHER (Yard Cruiser) (Brinley-Hardy Kit)

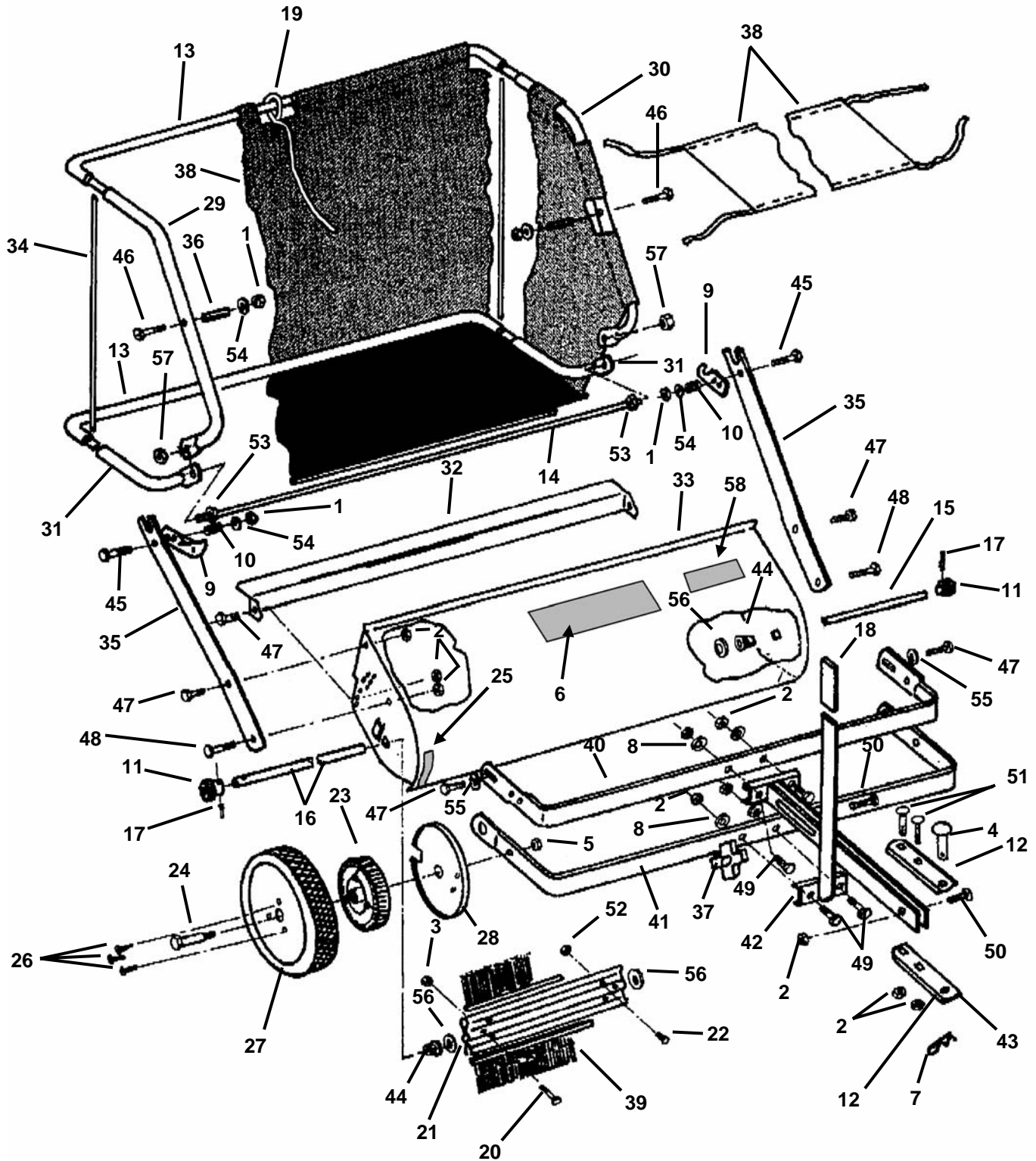
**TO ORDER PARTS:**  
 Brinly-Hardy Co.  
 P.O. Box 1116  
 Louisville, Ky 40201  
 1-800-626-5329



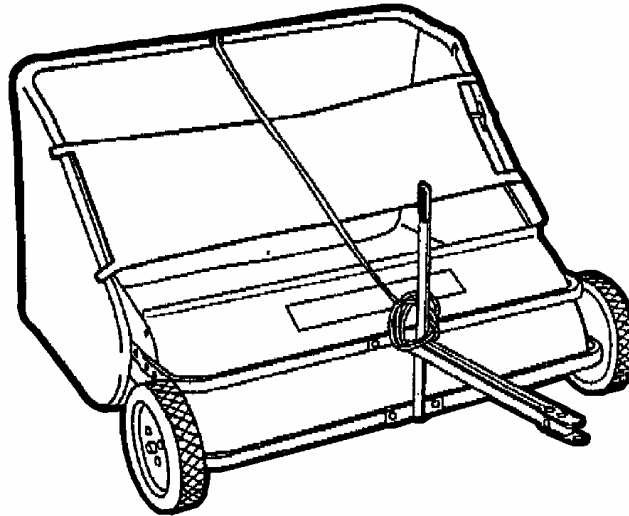
| ITEM | PART NO.  | DESCRIPTION   |
|------|-----------|---|
| --   | 6-1912    | KIT, 40" Heavy Duty Trail Behind Dethatcher<br>(Includes items 1 thru 23) |
| 1    | B-5435    | DECAL, Logo   |
| 2    | R-616     | TINE (10)   |
| 3    | R-618     | WASHER, Special (10)  |
| 4    | R-713-10  | BRACKET, Tray Mount (2)   |
| 5    | R-885-10  | TRAY, Tine  |
| 6    | R-887-10  | BRACKET, Wheel Mounting (2)   |
| 7    | R-889-10  | END PLATE (Right Hand)  |
| 8    | R-890-10  | END PLATE (Left Hand)   |
| 9    | R-891     | WHEEL (2)   |
| 10   | R-892-10  | CLEVIS (2)  |
| 11   | R-1541    | DECAL, Caution  |
| 12   | R-1455-10 | BAR, Pull (2)   |
| 13   | R-1503    | WIRE, Safety (2)  |
| 14   | 1M1648P   | BOLT, 1/2 x 3" Hex Head (2)   |
| 15   | 10M1032P  | BOLT, 5/16 x 2" Carriage (2)  |
| 16   | 11M1016P  | BOLT, 5/16 X 1" Carriage (26)   |
| 17   | 30M1000P  | NUT, 5/16" Hex (28)   |
| 18   | 30M1600P  | NUT, 1/2" Hex (4)   |
| 19   | 40M1000P  | WASHER, 5/16" Lock (28)   |
| 20   | 45M1111P  | WASHER, 5/16" Flat (4)  |
| 21   | 45M1717P  | WASHER, 1/2" Flat (4)   |
| 22   | B-3861    | DRAWBAR PIN, 1/2 x 2-1/4"   |
| 23   | B-146P    | HAIRPIN COTTER, 1/8"  |

# ACCESSORY, 36" TRAIL SWEEPER (Yard Cruiser) (Brinley-Hardy Kit)

**TO ORDER PARTS:**  
 Brinley-Hardy Co.  
 P.O. Box 1116  
 Louisville, Ky 40201  
 1-800-626-5329



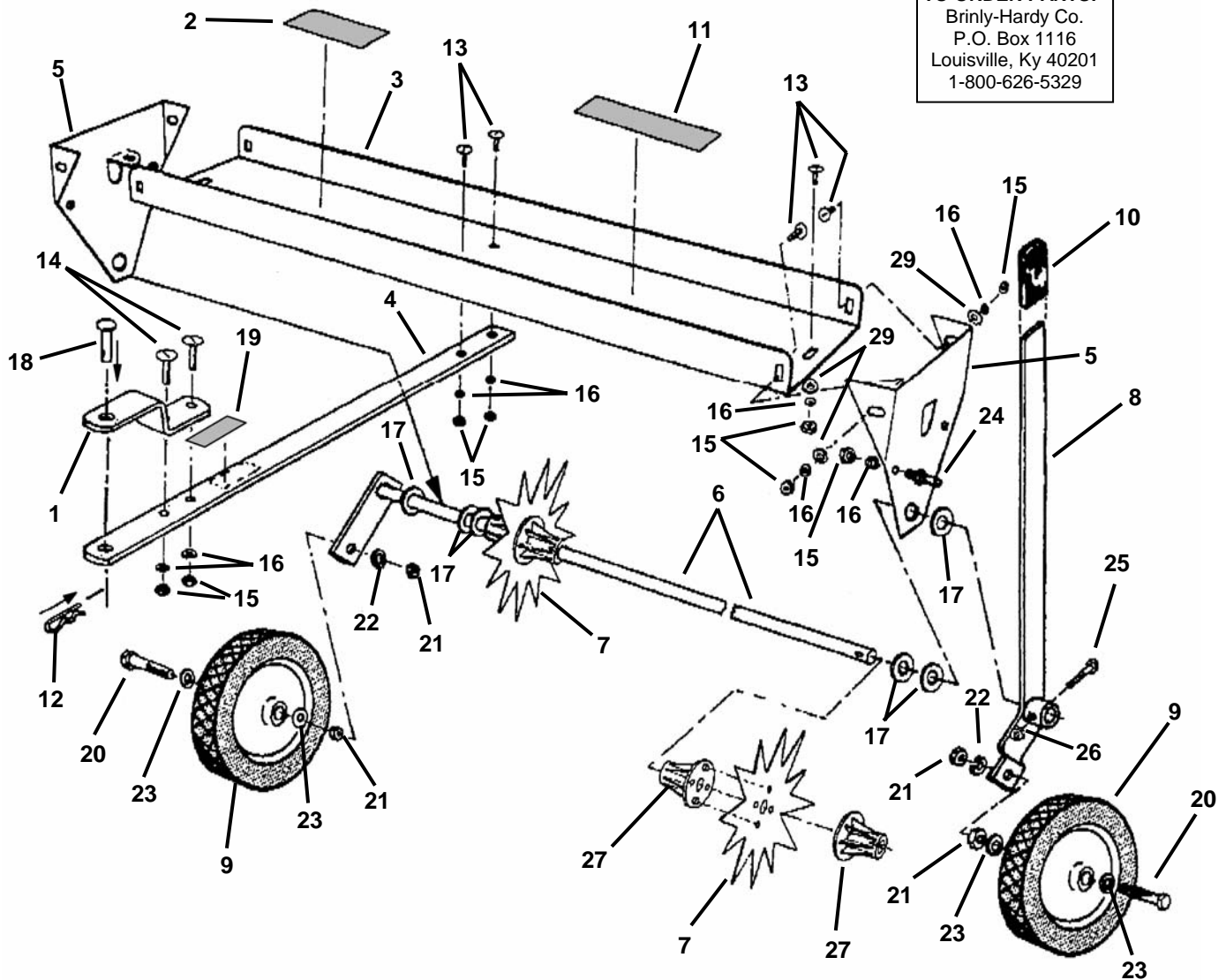
## ACCESSORY, 36" TRAIL SWEEPER (Yard Cruiser) (Brinley-Hardy Kit)



| ITEM | PART NO.  | DESCRIPTION                                       | ITEM | PART NO.    | DESCRIPTION                   |
|------|-----------|---|------|-------------|-------------------------------|
| --   | 6-1913    | KIT, 36" Trail Sweeper<br>(Incl. items 1 thru 58) | 29   | R-1805 R-10 | UPPER TUBE (R. H.)            |
| 1    | B-1673P   | NUT, 1/4" Hex Lock (4)                            | 30   | R-1805 L-10 | UPPER TUBE (L. H.)            |
| 2    | B-1674P   | NUT, 5/16" Hex Lock (16)                          | 31   | R-1806-10   | LOWER TUBE (2)                |
| 3    | B-3385    | NUT, #10 Hex Lock (2)                             | 32   | R-1866-10   | BAFFLE                        |
| 4    | B-3861    | HITCH PIN, 1/2 x 2-1/4"                           | 33   | R-1880      | ASSEMBLY, Housing             |
| 5    | B-3718    | NUT, 3/8" Hex Lock (2)                            | 34   | R-1815      | ROD, Hamper (2)               |
| 6    | B-5435    | DECAL, Logo                                       | 35   | R-1815-10   | BAR, hamper Support (2)       |
| 7    | D-146P    | HAIR PIN COTTER                                   | 36   | R-1618-01   | SPACER, Hamper (2)            |
| 8    | R-618     | WASHER, 5/16" Special (4)                         | 37   | F-782       | KNOB, Adjusting               |
| 9    | R-544A-01 | LATCH, Frame (2)                                  | 38   | R-1865      | SCREEN, Hamper & Wind         |
| 10   | R-646     | SPRING, Latch (2)                                 | 39   | R-1862      | SECTION, Brush (4)            |
| 11   | R-882-A   | DRIVE PINION (2)                                  | 40   | R-1843-10   | TUBE, Tow Bar Support         |
| 12   | R-892-10  | CLEVIS, Drawbar (2)                               | 41   | R-1845-10   | TUBE, Wheel Support           |
| 13   | R-1287-10 | REAR TUBE Top & Bottom (2)                        | 42   | R-1846-10   | ASSEMBLY, Handle              |
| 14   | R-1288    | STOP ROD  | 43   | R-1848-10   | ASSEMBLY, Tow Bar             |
| 15   | R-959     | AXLE, Long  | 44   | R-1856      | BEARING, Bronze (2)           |
| 16   | R-950     | AXLE, Short                                       | 45   | 1M0824P     | BOLT, 1/4 x 1-1/2" Hex (2)    |
| 17   | R-1014    | DRIVE PIN (2)                                     | 46   | 2M0832P     | BOLT, 1/4 x 2" Hex (2)        |
| 18   | R-1882    | GRIP, Handle                                      | 47   | 2M1012P     | BOLT, 5/16 X 3/4" Hex (6)     |
| 19   | R-1039    | PULL ROPE   | 48   | 2M1016P     | BOLT, 5/16 x 1" Hex (2)       |
| 20   | R-1502    | SCREW, #10 x 7/8" Machine (2)                     | 49   | 2M1020P     | BOLT, 5/16x 1-1/4" Hex (4)    |
| 21   | R-1509    | BRUSH HOLDER HALF (4)                             | 50   | 10M1020P    | BOLT, 5/16 x 1-1/4" Carr. (2) |
| 22   | R-1523    | SCREW, #10 x 1/2" (8)                             | 51   | 10M1032P    | BOLT, 5/16 x 2" Carr. (2)     |
| 23   | R-1584    | GEAR, Drive (2)                                   | 52   | 30M0600P    | NUT, #10 Hex (8)              |
| 24   | R-1595    | BOLT, 1/2" Shoulder (2)                           | 53   | 30M1200P    | NUT, 3/8" Hex (2)             |
| 25   | R-1721    | DECAL, Height Adjust                              | 54   | 45M0909P    | WASHER, 1/4" Flat (4)         |
| 26   | R-1722    | SCREW, 1/4 x 3/4" Pan Head (6)                    | 55   | 45M1111P    | WASHER, 5/16" Flat (2)        |
| 27   | R-1723    | ASS'Y, Wheel & Tire (2)                           | 56   | 45M1717P    | WASHER, 1/2" Flat (5)         |
| 28   | R-1738-10 | SHIELD, Dust (2)                                  | 57   | B-1675P     | NUT, 3/8" Hex Lock (2)        |
|      |           |   | 58   | R-1874      | DECAL, Instructions           |

# ACCESSORY, 36" LAWN AERATOR (Yard Cruiser) (Brinley-Hardy Kit)

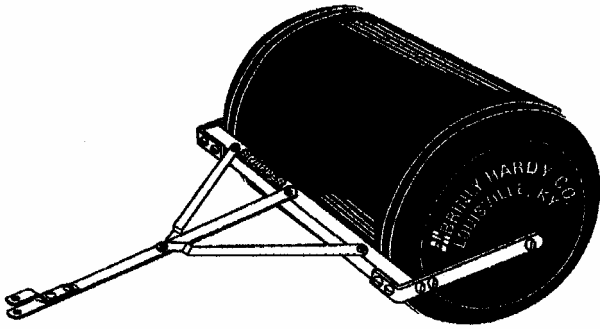
**TO ORDER PARTS:**  
Brinley-Hardy Co.  
P.O. Box 1116  
Louisville, Ky 40201  
1-800-626-5329



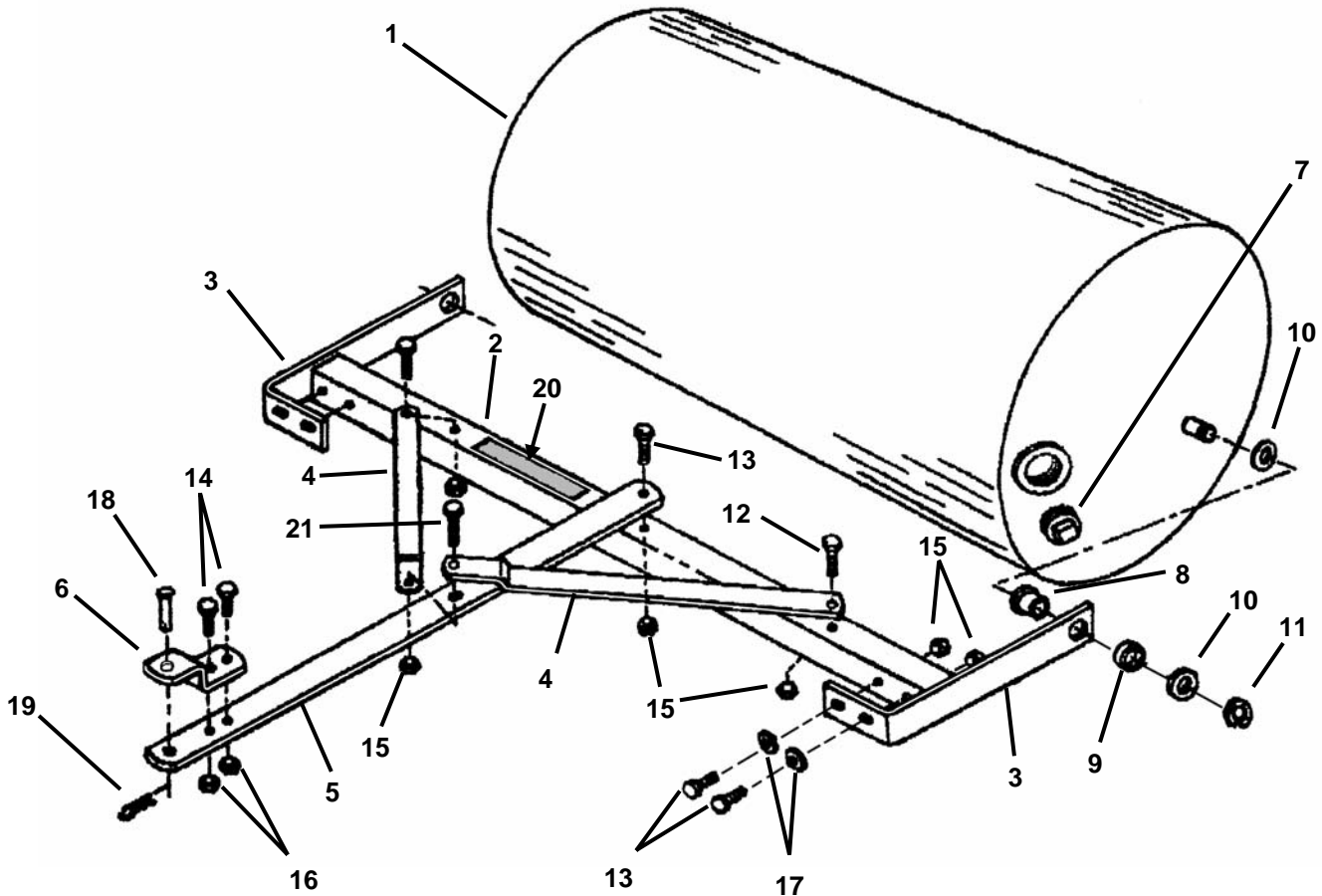
| ITEM | PART NO.  | DESCRIPTION   | ITEM | PART NO. | DESCRIPTION                        |
|------|-----------|---|------|----------|------------------------------------|
| --   | 6-1911    | KIT, 36" Lawn Aerator<br>(Includes items 1 thru 29) | 14   | 20M1016P | SCREW, 5/16 x 1"<br>Round Head (6) |
| 1    | R-821-10  | CLEVIS, Drawbar                                     | 15   | 30M1000P | NUT, 5/16" Hex (11)                |
| 2    | B-5435    | DECAL, Logo   | 16   | 40M1000P | WASHER, 5/16" Lock (11)            |
| 3    | B-4655-10 | TRAY  | 17   | B-5456   | WASHER, 5/8" (Thick) (6)           |
| 4    | B-3593-10 | DRAWBAR   | 18   | B-3861   | PIN, 1/2 x 2-1/4" Drawbar          |
| 5    | B-4892-10 | PANEL, End (2)                                      | 19   | B-3922   | DECAL, Caution                     |
| 6    | B-4900-10 | ASSEMBLY, Axle                                      | 20   | 1M1648P  | BOLT, 1/2 x 3" Hex (2)             |
| 7    | B-5423-10 | TINE (10)   | 21   | 30M1600P | NUT, 1/2" Hex (4)                  |
| 8    | B-4888-10 | ASS'Y, Handle                                       | 22   | 40M1600P | WASHER, 1/2" Lock (2)              |
| 9    | R-891     | WHEEL (2)   | 23   | 45M1717P | WASHER, 1/2" Flat (4)              |
| 10   | B-4867    | GRIP, handle  | 24   | B-3307-S | PIN, Transport Lock                |
| 11   | B-1946    | DECAL, Caution                                      | 25   | 2M0820P  | BOLT, 1/4 x 1-1/4" Hex             |
| 12   | D-146P    | HAIRPIN COTTER                                      | 26   | B-1673P  | NUT, 1/4" Hex Lock                 |
| 13   | 20M1012P  | SCREW, 5/16 x 3/4"<br>Round Head (2)                | 27   | B-5425   | SPACER/BEARING HALF (20)           |
|      |           |   | 28   | B-4768   | WASHER, 5/8" (Thin) (2)            |
|      |           |   | 29   | 45M1111P | WASHER, 5/16" Flat (6)             |



# ACCESSORY, 24" x 36" POLY ROLLER (Yard Cruiser) (Brinley-Hardy Kit)



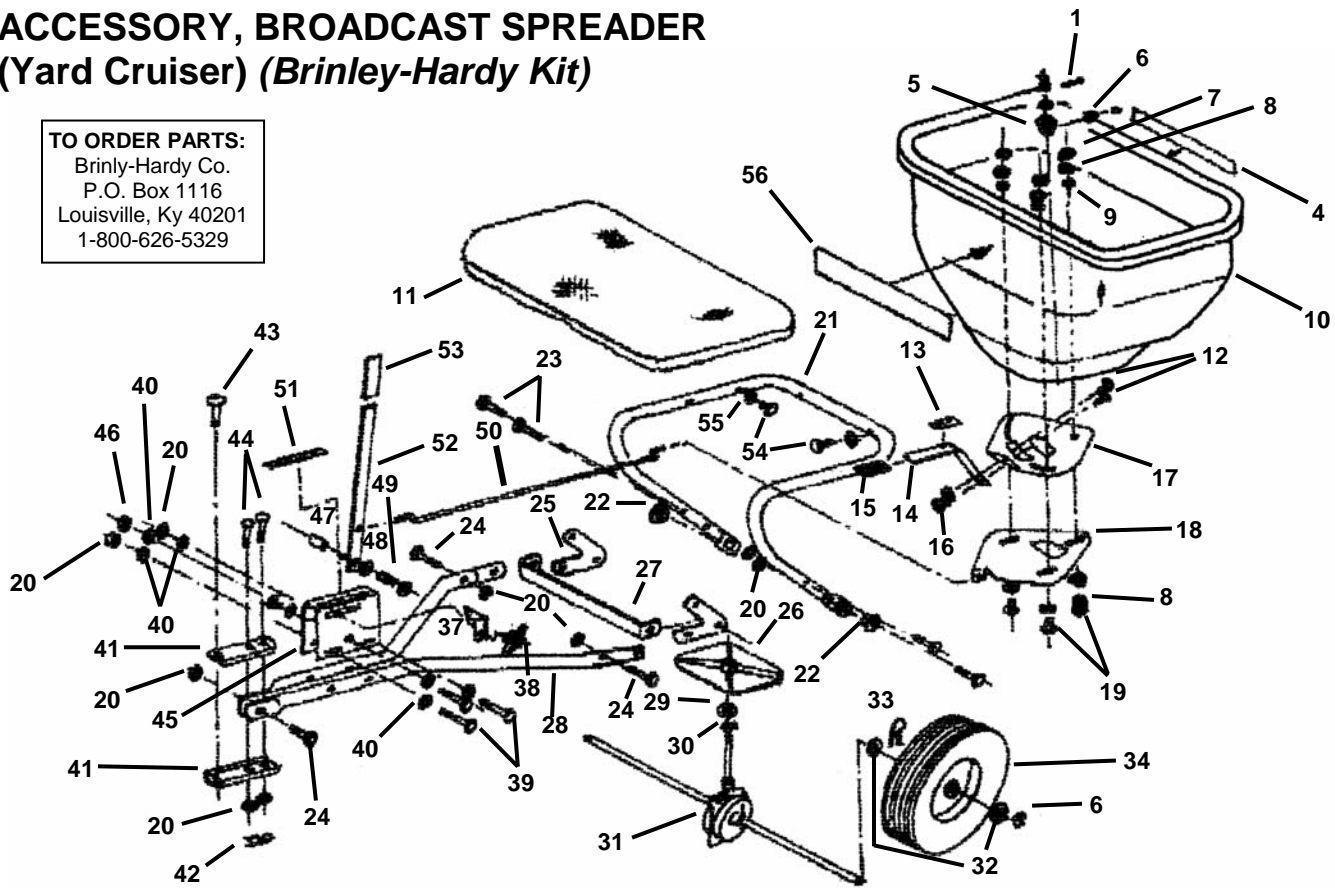
**TO ORDER PARTS:**  
Brinley-Hardy Co.  
P.O. Box 1116  
Louisville, Ky 40201  
1-800-626-5329



| ITEM | PART NO.  | DESCRIPTION  | ITEM | PART NO. | DESCRIPTION                      |
|------|-----------|--|------|----------|----------------------------------|
| --   | 6-1915    | KIT, 24" X 36" Poly Roller<br>(Includes items 1 thru 21) | 11   | B-4307   | "E" RETAINING RING<br>Type 1 (2) |
| 1    | B-5126    | DRUM, Roller   | 12   | 1M1216P  | BOLT, 3/8 x 1" Hex (2)           |
| 2    | B-5130-10 | BAR, Scraper   | 13   | 1M1220P  | BOLT, 3/8 x 1-1/4" Hex (5)       |
| 3    | B-5131-10 | BAR, Side (2)  | 14   | 1M1020P  | BOLT, 5/16 x 1-1/4" Hex (2)      |
| 4    | B-5132-10 | BRACE, Frame (2)   | 15   | B-4820   | NUT, 3/8" Nylon Insert (8)       |
| 5    | B-5133-10 | DRAWBAR  | 16   | B-4786   | NUT, 5/16" Nylon Insert (2)      |
| 6    | B-3034-10 | CLEVIS   | 17   | 45M1313P | WASHER, 3/8" Plain (4)           |
| 7    | B-5121-PL | PLUG   | 18   | B-5191   | HITCH PIN, 1/2 x 2-3/4"          |
| 8    | D-279     | BEARING (2)  | 19   | D-146P   | HAIRPIN COTTER, 1/8"             |
| 9    | B-5154-01 | SPACER, Bearing (2)                                      | 20   | B-5434   | DECAL, Logo                      |
| 10   | V-886     | WASHER, Machine Bushing (4)                              | 21   | 1M1224P  | BOLT, 3/8 x 1-1/2"               |

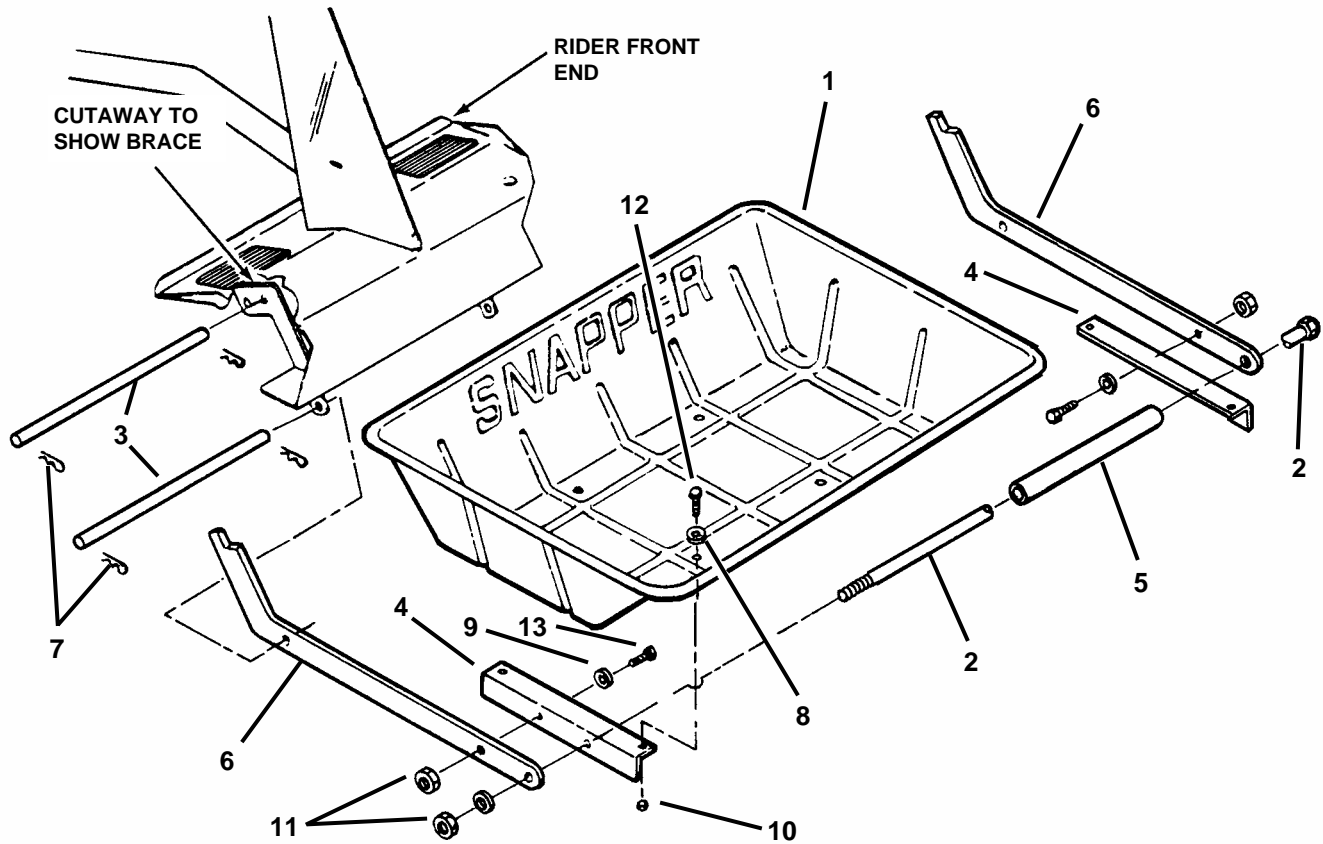
# ACCESSORY, BROADCAST SPREADER (Yard Cruiser) (Brinley-Hardy Kit)

**TO ORDER PARTS:**  
Brinley-Hardy Co.  
P.O. Box 1116  
Louisville, Ky 40201  
1-800-626-5329



| ITEM | PART NO. | DESCRIPTION  | ITEM | PART NO. | DESCRIPTION                  |
|------|----------|--|------|----------|------------------------------|
| --   | 6-1916   | KIT, Broadcast Spreader<br>(incl. items 1 thru 56) | 28   | F-759-10 | TUBE, Tow (2)                |
| 1    | 50M0416P | PIN, 1/8" x 1" Cotter                              | 29   | F-591    | DRIVER, Fan                  |
| 2    | F-436    | SPRING, Agitator                                   | 30   | F-595    | LOCK CLIP                    |
| 3    | F-365    | "O" RING, 3/8"                                     | 31   | F-770    | GEAR BOX ASSEMBLY            |
| 4    | B-5435   | DECAL, Logo  | 32   | 45M2121P | WASHER, 5/8" Flat (6)        |
| 5    | F-574    | BEARING, Fan Shaft                                 | 33   | F-620    | COTTER, Hairpin (2)          |
| 6    | F-577    | SNAP RING, "E" Type                                | 34   | F-705    | WHEEL (2)                    |
| 7    | B-1673P  | NUT, 1/4" Hex Lock (3)                             | 35   | 10M1012P | BOLT, 5/16 x 3/4" Carriage   |
| 8    | F-57     | WASHER, 1/4" Thrust (6)                            | 36   | F-787    | WASHER, Spring               |
| 9    | F-313    | "O" RING, 1/4" Gate (3)                            | 37   | F-781    | GAGE STOP                    |
| 10   | F-719    | HOPPER   | 38   | F-782    | KNOB                         |
| 11   | F-745    | COVER, Moisture                                    | 39   | 1M1044P  | BOLT, 5/16 x 2-3/4" Hex (3)  |
| 12   | 20M0808P | SCREW, 1/4x1/2" Round Hd.(2)                       | 40   | 45M1111P | WASHER, 5/16" Flat (6)       |
| 13   | F-780    | DECAL, Directional Handle                          | 41   | R-892-10 | HITCH, Clevis (2)            |
| 14   | F-704    | HANDLE, Directional Shutter                        | 42   | D-146P   | COTTER, 1/8" Hairpin         |
| 15   | F-789    | GRIP, Vinyl (small)                                | 43   | B-3861   | PIN, Drawbar                 |
| 16   | B-4785   | NUT, 1/4" Nylon Insert (2)                         | 44   | 10M1032P | BOLT, 5/16 x 2" Carriage (2) |
| 17   | F-767    | SHUTTER PLATE                                      | 45   | F-762-10 | GAGE PLATE                   |
| 18   | F-785    | FLOW CONTROL PLATE                                 | 46   | B-1674P  | NUT, 5/16 Hex Lock           |
| 19   | 20M0814P | SCREW, 1/4x7/8 Round Hd (3)                        | 47   | B-3721   | SPACER, Latch                |
| 20   | B-4786   | NUT, 5/16 Nylon Insert (11)                        | 48   | R-618    | WASHER, 5/16" Heavy (2)      |
| 21   | F-755-10 | SUPPORT, Hopper                                    | 49   | B-3805   | SPRING, Latch                |
| 22   | F-283    | BEARING, Axle (2)                                  | 50   | F-761    | ROD, Link                    |
| 23   | 1M1032P  | BOLT, 5/16 x 2" Hex (4)                            | 51   | F-740    | DECAL, Flow Control          |
| 24   | 1M1024P  | BOLT, 5/16 x 1-1/2" Hex (3)                        | 52   | F-738-10 | HANDLE, Flow Control         |
| 25   | F-750-10 | PLATE, Gusset (2)                                  | 53   | R-1882   | GRIP, Vinyl (large)          |
| 26   | F-573    | FAN  | 54   | F-395    | SCREW, 1/4 x 3/4" Hex (5)    |
| 27   | F-734-10 | BRACE, Cross                                       | 55   | 45M0909P | WASHER, 1/4" Flat (6)        |
|      |          |  | 56   | F-744    | DECAL, Operation             |

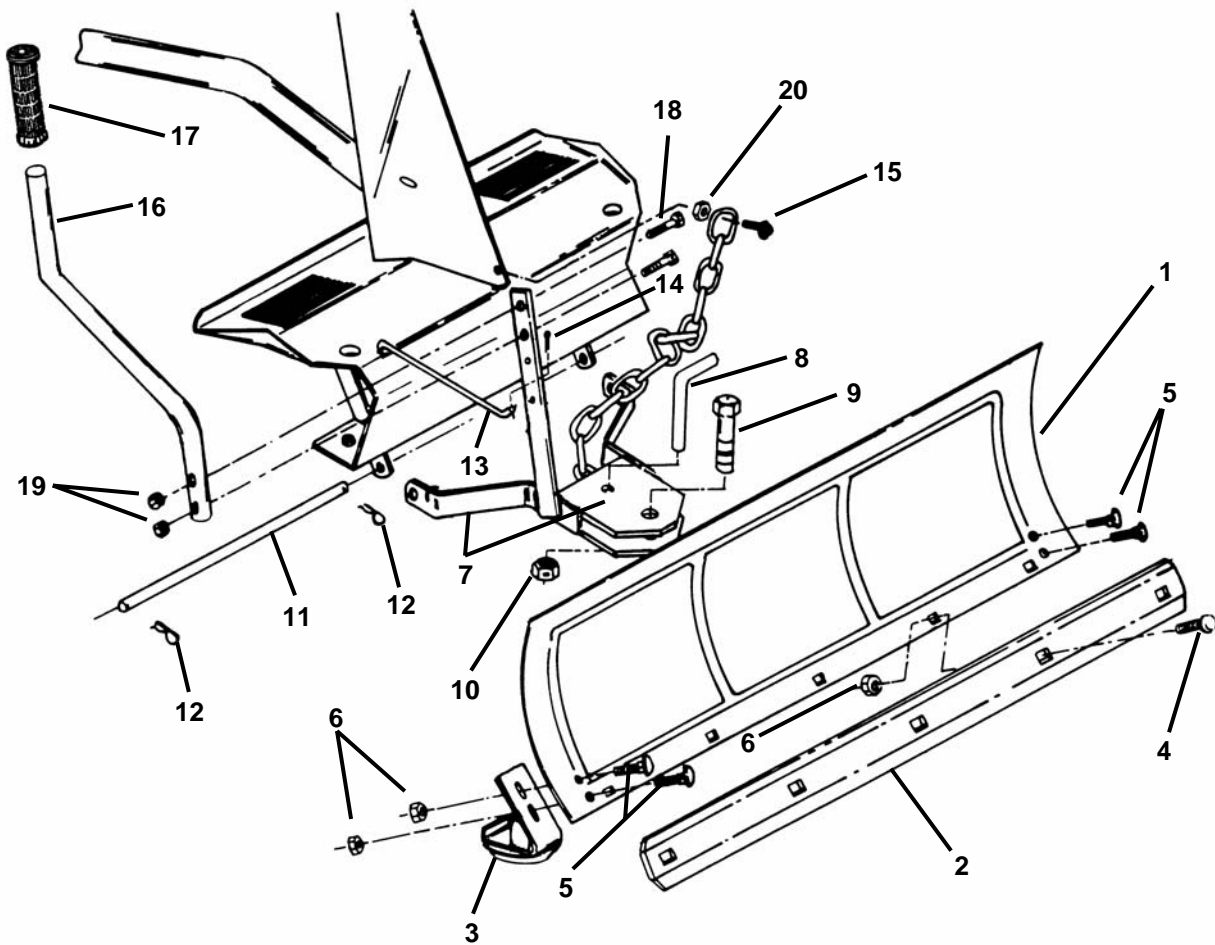
# ACCESSORY, FRONT LOAD CARRIER



| ITEM | PART NO. | DESCRIPTION                           |
|------|----------|---------------------------------------|
| --   | 6-0197   | KIT, Load Carrier                     |
| 1    | 1-1822   | BOX, Tote (18" x 24" x 5")            |
| 2    | 1-1832   | BOLT, 3/8-16 x 10" Hex                |
| 3    | 2-1153   | PIN, Holding (2)                      |
| 4    | 3-1737   | BRACE (2)                             |
| 5    | 3-1738   | SPACER, Box                           |
| 6    | 3-7342   | ARM (2)                               |
| 7    | 1-1714*  | HAIR PIN, 3/32 x 1-7/8" (4)           |
| 8    | 9-0055*  | WASHER, 1/4" Flat (4)                 |
| 9    | 9-0122*  | WASHER, 3/8" Flat (3)                 |
| 10   | 9-0303*  | NUT, 1/4-28 Hex Top Lock (4)          |
| 11   | 9-0499*  | NUT, 3/8-16 Hex Top Lock (3)          |
| 12   | 9-0541*  | SCREW, 1/4-28 x 3/4" Hex Head Cap (4) |
| 13   | 9-0563*  | SCREW, 3/8-16 x 1" Hex Head Cap (2)   |

**NOTE: Asterisk marked items are included in Hardware Bag 6-0438**

# ACCESSORY, SNOW PLOW 36"



| ITEM | PART NO. | DESCRIPTION                               |
|------|----------|---|
| --   | 6-0959   | KIT, Snow Plow<br>(Incl. items 1 thru 20) |
| 1    | 4-7727   | BLADE (Weldment) (36" wide)               |
| 2    | 3-7733   | SCRAPER                                   |
| 3    | 4-0445   | SLIDE (Weldment) (2)                      |
| 4    | 9-0850*  | BOLT, 3/8-16 x 3/4" Carriage (5)          |
| 5    | 9-0747*  | BOLT, 3/8-16 x 1" Carriage (4)            |
| 6    | 9-0546*  | NUT, 3/8-16 Hex Center Lock (9)           |
| 7    | 4-7351   | BRACKET/CHAIN (Weldment)                  |
| 8    | 3-1002*  | PIN, 3/8"                                 |
| 9    | 9-0017*  | SCREW, 1/2-20x 2-3/4" Hex Cap             |
| 10   | 9-0266*  | NUT, 1/2-20 Hex Center Lock               |
| 11   | 2-1153   | PIN, Holding                              |
| 12   | 1-1714*  | HAIR PIN, 3/32 x 1-7/8" (2)               |
| 13A  | 4-0466   | LATCH, Blade(Ser. 6 & earlier**)          |
| 13B  | 4-0630   | LATCH, Blade(Series 7 & later**)          |
| 14   | 9-0365*  | COTTER PIN, 1/8 x 3/4"                    |
| 15   | 9-0369*  | SCREW, 5/16-18 x 1" Self-Tap              |
| 16   | 5-7084   | HANDLE, Plow Lift                         |
| 17   | 1-1870*  | GRIP, Handle                              |
| 18   | 9-0161*  | SCREW, 3/8-24 x 1-3/4" Hex<br>Head (2)    |
| 19   | 9-0289*  | NUT, 3/8-24 Hex Center Lock (2)           |
| 20   | 9-0196   | NUT, 5/16-18 Hex                          |

**NOTE: Asterisk marked items are included in Hardware Bag 6-0247**

**\*\*NOTE: Use longer latch on series 7 and later models.**

## ACCESSORY, DECK ASSEMBLIES

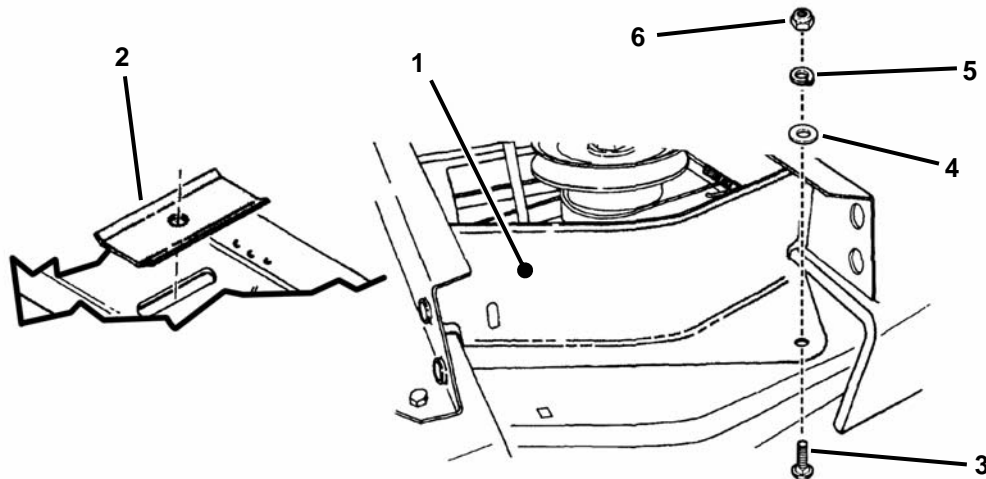
### REAR ENGINE RIDER DECKS:

|        |  |
|--------|--|
| 6-1969 | .....KIT, 25" Deck (Includes painted deck & decals)            |
| 6-0827 | .....KIT, 25" Deck (Includes painted deck, deflector & decals) |
| 6-0976 | .....KIT, 25" Deck (Includes painted deck, deflector & decals) |
| 6-0826 | .....KIT, 26" Deck (Includes painted deck, deflector & decals) |
| 6-1970 | .....KIT, 28" Deck (Includes painted deck & decals)            |
| 6-0977 | .....KIT, 28" Deck (Includes painted deck, deflector & decals) |
| 6-0825 | .....KIT, 28" Deck (Includes painted deck, deflector & decals) |
| 6-1971 | .....KIT, 30" Deck (Includes painted deck & decals)            |
| 6-0824 | .....KIT, 30" Deck (Includes painted deck, deflector & decals) |
| 6-1972 | .....KIT, 33" Deck (Includes painted deck & decals)            |

### YARD CRUISER DECKS:

|        |   |
|--------|---|
| 6-1956 | .....KIT, 33" Deck (Includes painted deck & decals) |
| 6-1957 | .....KIT, 38" Deck (Includes painted deck & decals) |
| 6-1958 | .....KIT, 42" Deck (Includes painted deck & decals) |

## ACCESSORY, DECK BAFFLE



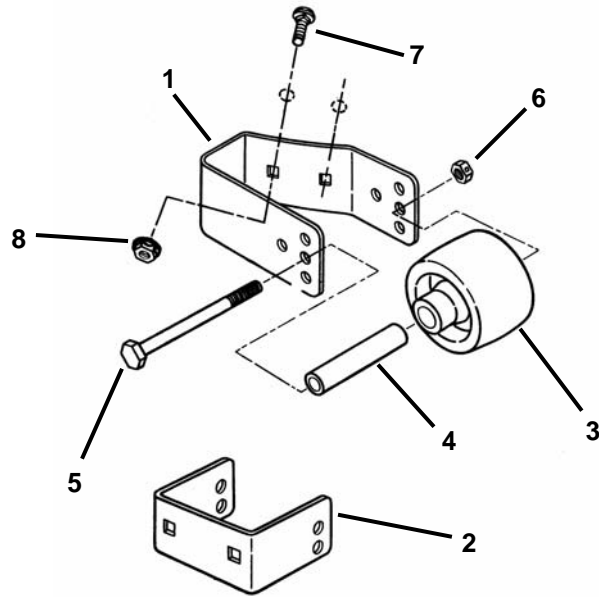
| ITEM | PART NO. | DESCRIPTION                              |
|------|----------|--|
| --   | 6-0361   | KIT, Deck Baffle                         |
| 1    | 1-9527   | BAFFLE, Deck (42113S Rider)              |
| 2    | 3-2010   | PLATE, Idler (Adjusting Slot)            |
| 3    | 9-0136   | BOLT, 3/8-16 x 3/4" Square Neck Carriage |
| 4    | 9-0122   | WASHER, 3/8" SAE Flat                    |
| 5    | 9-0118   | WASHER, 3/8" Split Lock                  |
| 6    | 9-0130   | NUT, 3/8-16 Hex                          |

## ACCESSORY, GAGE WHEEL for 28" & 33" Decks

This kit is installed on 28" and 33" Cutting Decks to help prevent scalping of turf on unlevel areas. This kit is for front and rear of cutting deck.

### KIT No. 6-1400 COMPONENTS

| ITEM | PART NO. | DESCRIPTION                                  |
|------|----------|--|
| 1    | 3-3571   | BRACKET, Anti-Scalp (Rear) (2)               |
| 2    | 3-3570   | BRACKET, Anti-Scalp (Front)                  |
| 3    | 1-9190   | WHEEL, Gage (3)                              |
| 4    | 1-5272   | SPACER, Gage Wheel (3)                       |
| 5    | 9-0859   | SCREW, 3/8-24 x 3-3/4" Hex Head Cap (3)      |
| 6    | 9-0289   | NUT, 3/8-24 Hex Center Lock (3)              |
| 7    | 9-0731   | BOLT, 5/16-18 x 1/2" Short Neck Carriage (6) |
| 8    | 9-0585   | NUT, 5/16-18 Hex Flange Lock (6)             |

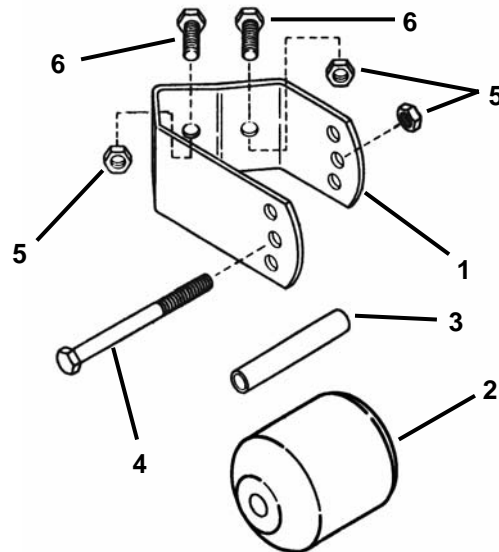


## ACCESSORY, GAGE WHEEL for 33" Decks

This kit is installed on 33" Cutting Decks to help prevent scalping of turf on unlevel areas when reversing. This kit is for rear of cutting deck only.

### KIT No. 6-0737 COMPONENTS

| ITEM | PART NO. | DESCRIPTION                             |
|------|----------|---|
| 1    | 3-2478   | BRACKET, Wheel (2)                      |
| 2    | 1-5273   | WHEEL (2)                               |
| 3    | 1-5272   | SPACER (2)                              |
| 4    | 9-0859   | SCREW, 3/8-24 x 3-3/4" Hex Head Cap (2) |
| 5    | 9-0289   | NUT, 3/8-24 Hex Center Lock (6)         |
| 6    | 9-0292   | SCREW, 3/8-24 x Hex Head Cap (4)        |

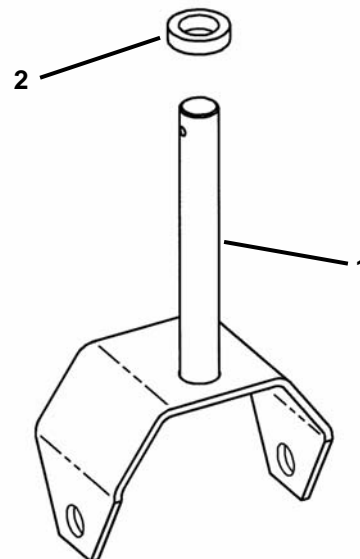


## ACCESSORY, ANTI-SCALP KIT for 48" Decks

This kit provides height adjustment on Yard Cruiser 48" Cutting Decks to help prevent scalping of turf on unlevel areas.

### KIT No. 6-3128 COMPONENTS

| ITEM | PART NO. | DESCRIPTION                 |
|------|----------|-----------------------------|
| 1    | 5-8624   | WELDMENT Wheel Bracket. (2) |
| 2    | 7-6436   | SPACER (10)                 |

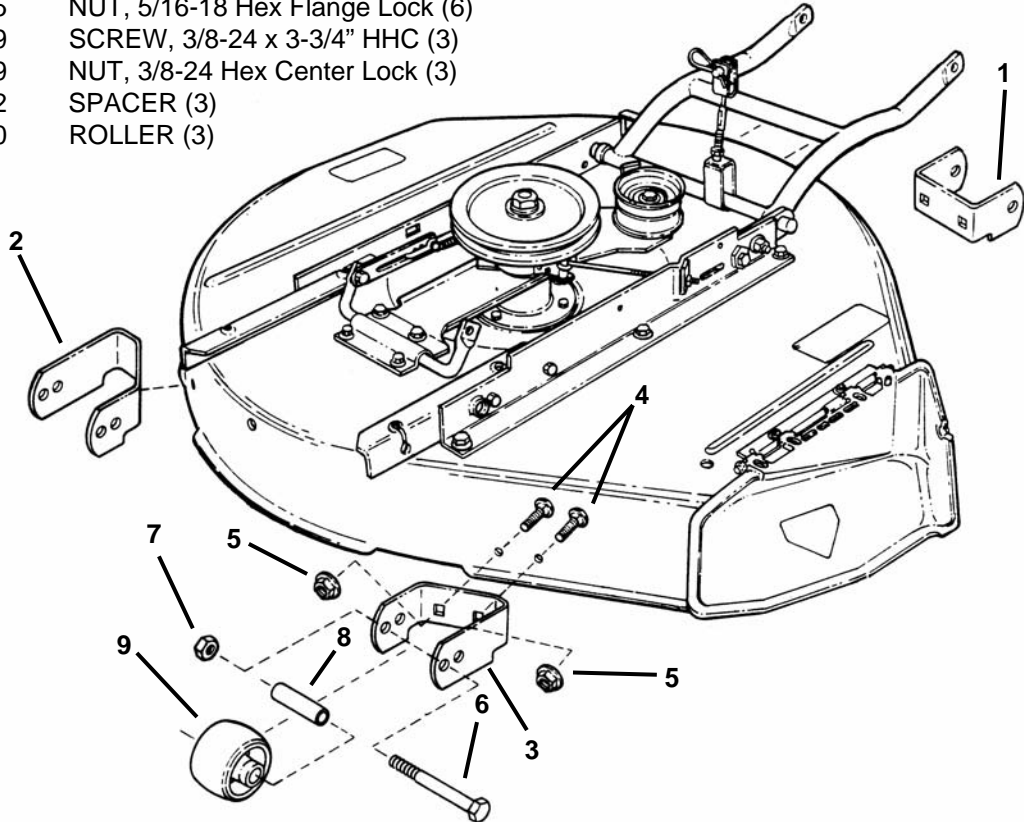


## ACCESSORY, GAGE WHEEL for 30" Decks

### KIT No. 6-1157 COMPONENTS

| ITEM | PART NO. | DESCRIPTION                      |
|------|----------|----------------------------------|
| 1    | 3-4024   | BRACKET, Front Anti-Scalp        |
| 2    | 3-4025   | BRACKET, Left Anti-Scalp         |
| 3    | 3-4026   | BRACKET, Right Anti-Scalp        |
| 4    | 9-0731   | BOLT, 5/16-18x 1/2" Carriage (6) |
| 5    | 9-0585   | NUT, 5/16-18 Hex Flange Lock (6) |
| 6    | 9-0589   | SCREW, 3/8-24 x 3-3/4" HHC (3)   |
| 7    | 9-0289   | NUT, 3/8-24 Hex Center Lock (3)  |
| 8    | 1-5272   | SPACER (3)                       |
| 9    | 1-9190   | ROLLER (3)                       |

This kit is installed on 30" Cutting Decks to help prevent scalping of turf on uneven areas when reversing.

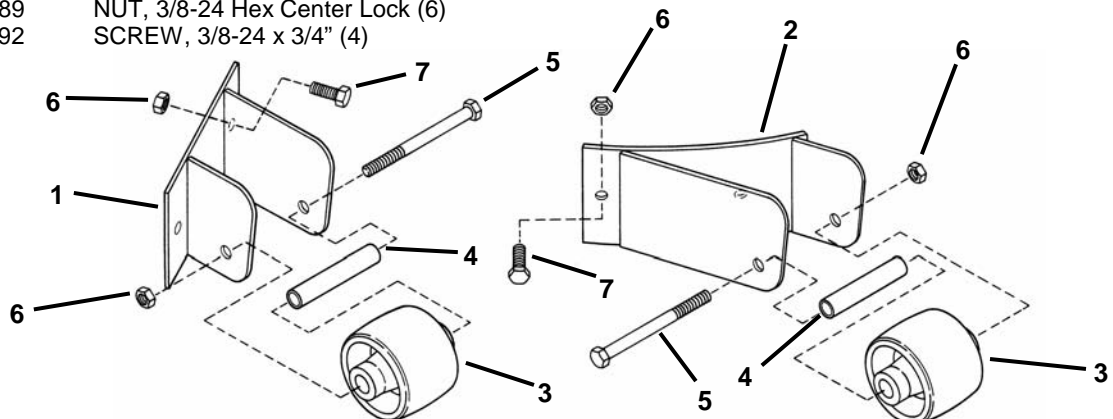


## ACCESSORY, GAGE WHEEL for 41" & 42" Decks

### KIT No. 6-0794 COMPONENTS

| ITEM | PART NO. | DESCRIPTION                     |
|------|----------|---------------------------------|
| 1    | 4-7913   | BRACKET, Right Hand             |
| 2    | 4-7914   | BRACKET, Left Hand              |
| 3    | 1-9190   | WHEEL, Gage (2)                 |
| 4    | 1-5272   | SPACER, 3" Long (2)             |
| 5    | 9-0859   | SCREW, 3/8-24 x 3-3/4" HHC (2)  |
| 6    | 9-0289   | NUT, 3/8-24 Hex Center Lock (6) |
| 7    | 9-0292   | SCREW, 3/8-24 x 3/4" (4)        |

This kit is installed on 41" & 42" Cutting Decks to help prevent scalping of turf on uneven areas when reversing.

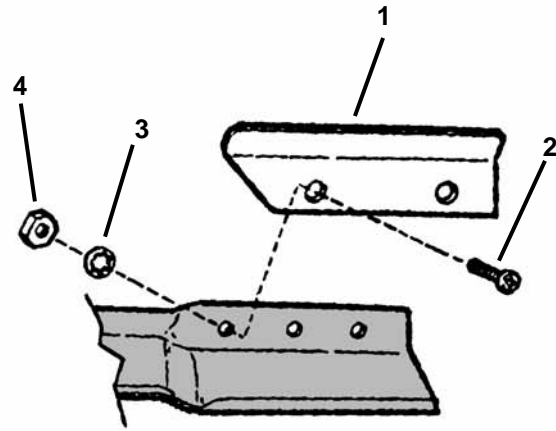


# ACCESSORY, AIR LIFT KITS

## AIR LIFT KIT for 26" and 30" Decks

### KIT No. 6-0735 COMPONENTS

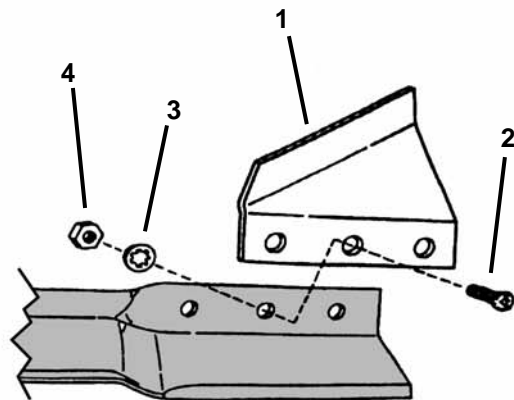
| ITEM | PART NO. | DESCRIPTION                           |
|------|----------|---------------------------------------|
| 1    | 3-1724   | AIR LIFT (2)                          |
| 2    | 9-0228   | SCREW, 5/16-24 Machine (4)            |
| 3    | 9-0391   | WASHER, 5/16" Internal Tooth Lock (4) |
| 4    | 9-0223   | NUT, 5/16-24 Hex (4)                  |



## AIR LIFT KIT for 28" and 33" Decks

### KIT No. 6-0480 COMPONENTS

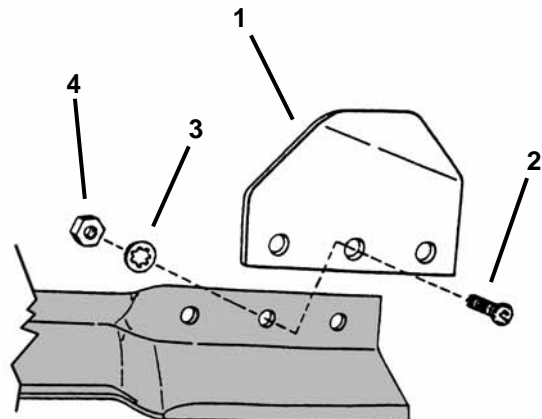
| ITEM | PART NO. | DESCRIPTION                           |
|------|----------|---------------------------------------|
| 1    | 3-7723   | AIR LIFT (2)                          |
| 2    | 9-0228   | SCREW, 5/16-24 Machine (4)            |
| 3    | 9-0391   | WASHER, 5/16" Internal Tooth Lock (4) |
| 4    | 9-0223   | NUT, 5/16-24 Hex (4)                  |



## AIR LIFT KIT for 28" and 33" Decks (Euro Models)

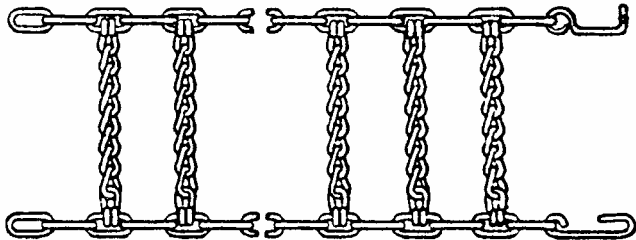
### KIT No. 6-1777 COMPONENTS

| ITEM | PART NO. | DESCRIPTION                           |
|------|----------|---------------------------------------|
| 1    | 3-4468   | AIR LIFT (2)                          |
| 2    | 9-0228   | SCREW, 5/16-24 Machine (4)            |
| 3    | 9-0391   | WASHER, 5/16" Internal Tooth Lock (4) |
| 4    | 9-0223   | NUT, 5/16-24 Hex (4)                  |



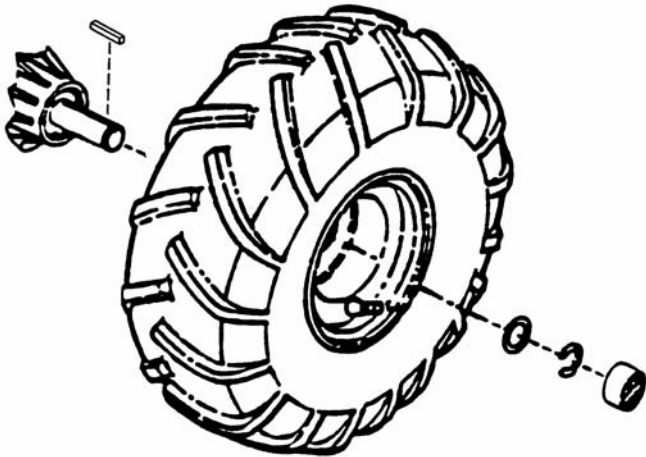


**ACCESSORY, TIRE CHAIN**



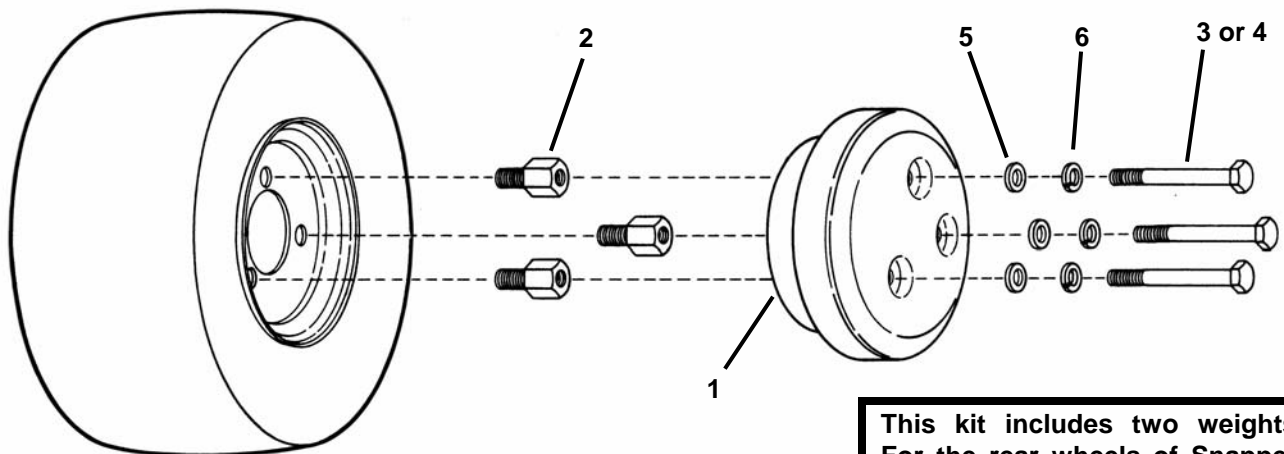
| ITEM | PART NO. | DESCRIPTION                            |
|------|----------|--|
| --   | 6-0357   | KIT, Tire Chain (16 x 6.50 – 8” Tire)  |
| --   | 6-1822   | KIT, Tire Chain (16 x 7.50 – 8” Tire)  |
| --   | 6-0358   | KIT, Tire Chain (4.8 x 4.00 – 8” Tire) |

**ACCESSORY, All Terrain Chevron Style Tire  
(Yard Cruiser)**



| ITEM | PART NO. | DESCRIPTION                                 |
|------|----------|---|
| --   | 6-3069   | KIT, All Terrain Chevron Style Tire         |
| --   | 5-7999   | ASSEMBLY, 18 X 8 Tire/Rim Right Hand        |
| --   | 5-8000   | ASSEMBLY, 18 X 8 Tire/Rim Left Hand (shown) |

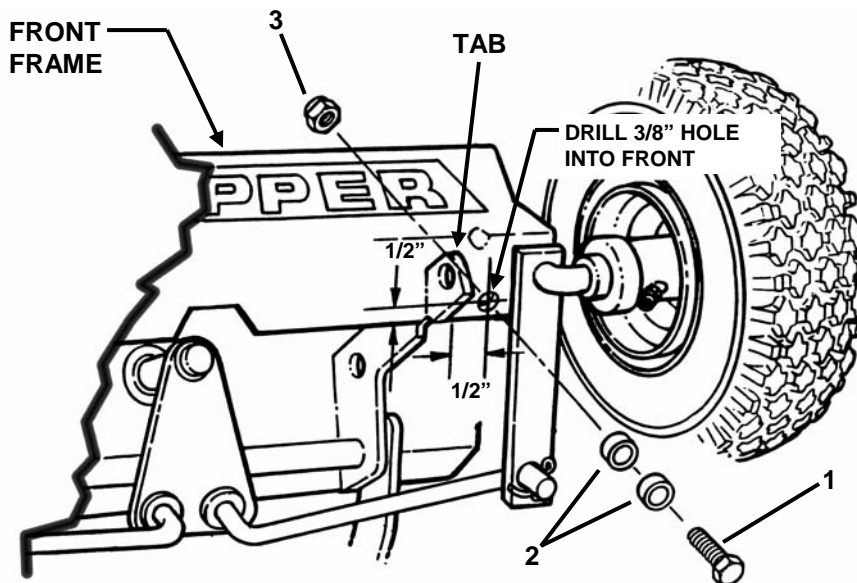
## ACCESSORY, WHEEL WEIGHT



This kit includes two weights For the rear wheels of Snapper Riders to improve traction in winter when operating with the Snow Plow Blade or Snow Thrower attachment.

| ITEM | PART NO. | DESCRIPTION                              |
|------|----------|--|
| -    | 6-0517   | KIT, Wheel Weight (Incl. Items 1 Thru 6) |
| 1    | 1-9709   | WEIGHT, Wheel (2)                        |
| 2    | 2-1858   | STUD, Wheel (6)                          |
| 3    | 9-0810   | SCREW, 3/8-16 x 3-1/4" Hex Head Cap (6)  |
| 4    | 9-0591   | SCREW, 3/8-16 x 4-1/2" Hex Head Cap (6)  |
| 5    | 9-0122   | WASHER, 3/8" Flat (12)                   |
| 6    | 9-0118   | WASHER, 3/8" Split Lock (6)              |

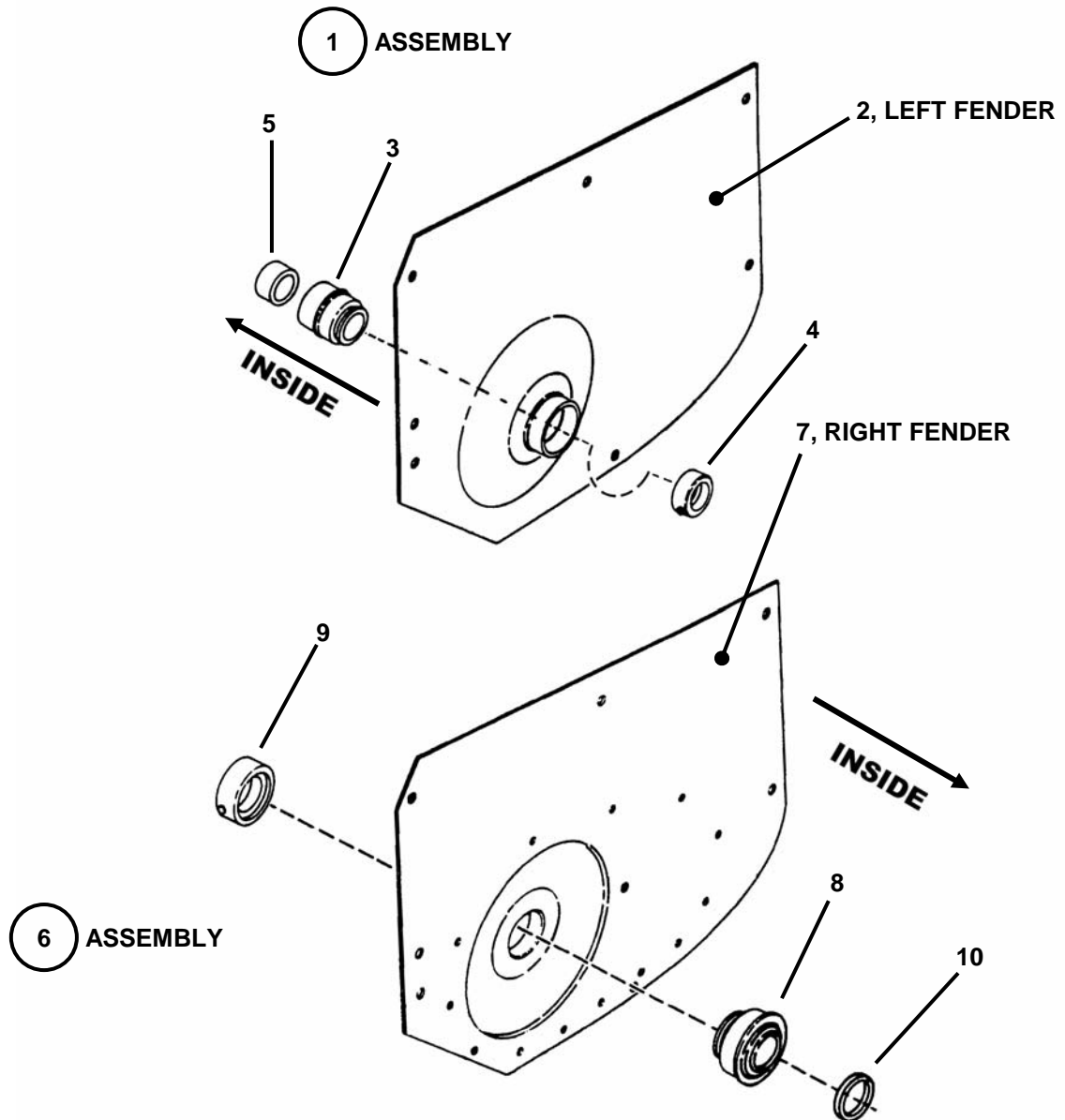
## ACCESSORY, STEERING STOP KIT



This kit can be installed On "M" Series 17 & 19 Rear Engine Riders to Limit the amount of over steer.

| ITEM | PART NO. | DESCRIPTION                                  |
|------|----------|--|
| -    | 6-3071   | KIT, Steering Stop (Includes Items 1 Thru 3) |
| 1    | 9-1304   | SCREW, 3/8-16 x 1" Hex Head Cap, Grade 5 (2) |
| 2    | 2-4180   | SPACER (4)                                   |
| 3    | 9-1585   | NUT, 3/8-16 Hex Center Lock (2)              |

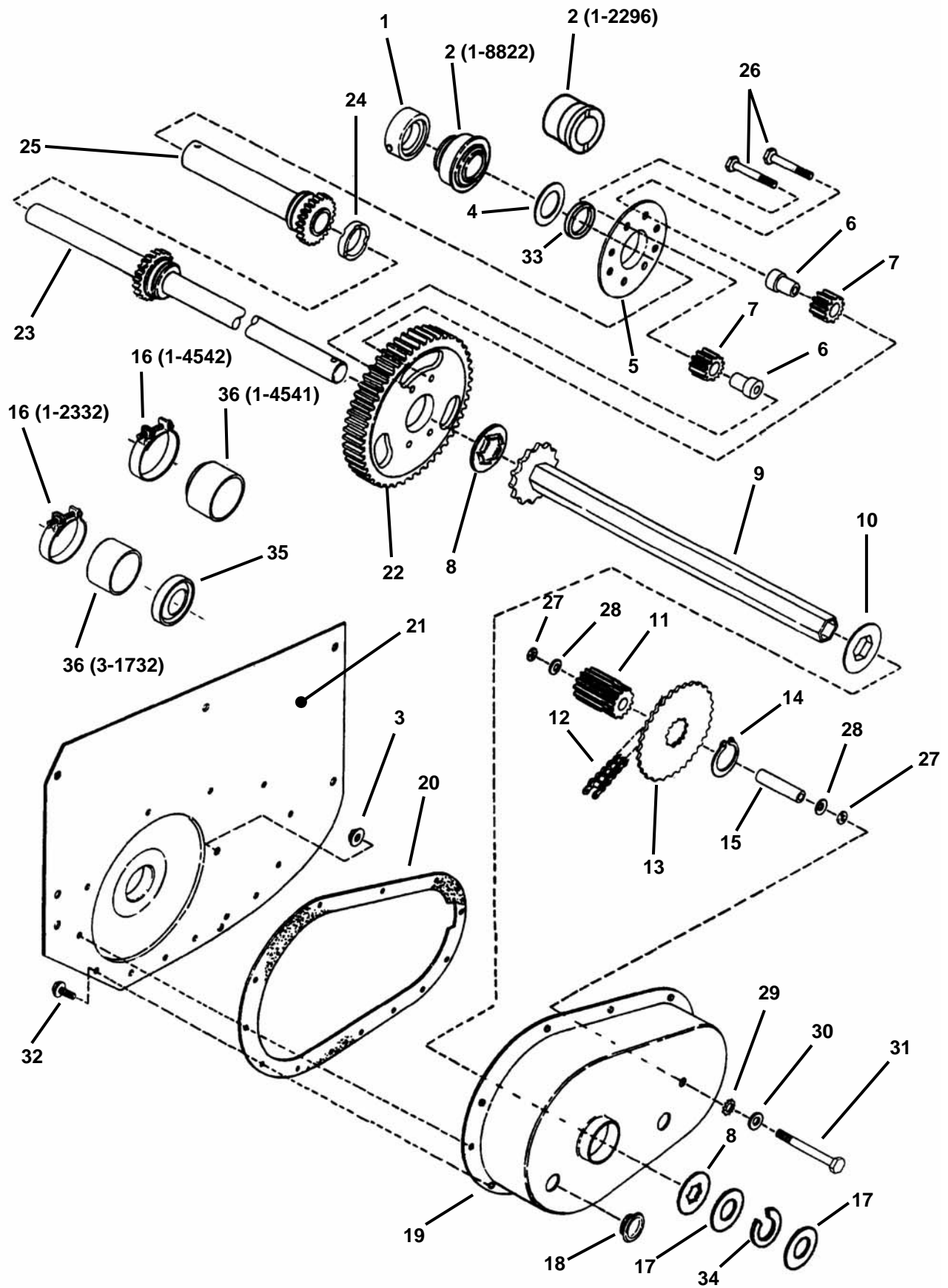
## ACCESSORY, COMMERCIAL AXLE KIT



This kit includes rear fenders with heavy duty ball bearings to replace the standard Riding Mower fenders which have sleeve type axle bushings.

| ITEM | PART NO. | DESCRIPTION   |
|------|----------|---|
| --   | 6-0441   | KIT, Extra Tough Axle – Bearing Fender Kit (Includes Items 1 Thru 10) |
| 1    | 5-1451   | ASSEMBLY, Left Fender and Bearing (Includes items 2 and 3)            |
| 2    | 3-7958   | FENDER, Left Side (Extra Tough)                                       |
| 3    | 1-4624   | BALL BEARING, Left Side   |
| 4    | 1-4625   | LOCK COLLAR (Includes 9-0776 Set Screw)                               |
| 5    | 3-2114   | SPACER, Left Hand   |
| 6    | 5-1452   | ASSEMBLY, Right Hand Fender and Bearing (Includes items 7 and 8)      |
| 7    | 3-7957   | FENDER, Right Side (Extra Tough)                                      |
| 8    | 1-8822   | BALL BEARING, Rear Axle   |
| 9    | 1-4401   | LOCK COLLAR (Includes 9-0201 Set Screw)                               |
| 10   | 3-2107   | SPACER, Short Axle  |

# ACCESSORIES, DIFFERENTIAL KIT (R. H. FENDER)

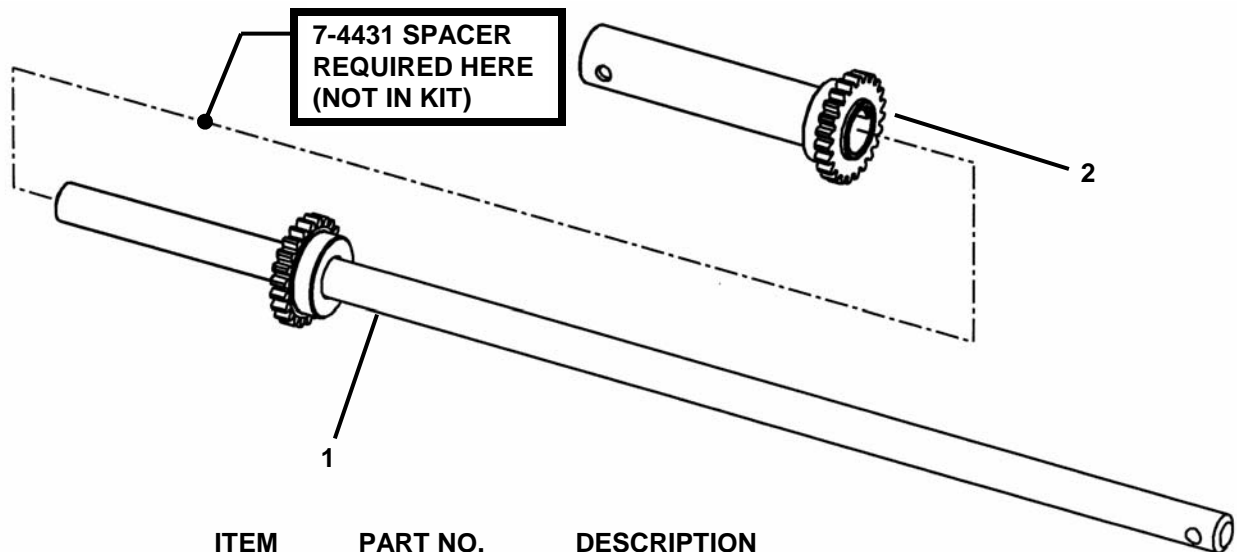


## ACCESSORIES, DIFFERENTIAL KIT (R. H. FENDER)

| ITEM | PART NO. | DESCRIPTION   |
|------|----------|---|
| --   | 6-0411   | KIT, Differential Assembly (Includes Items 1 Thru 37)   |
| --   | 6-0662   | KIT, 8 Pin Differential Assembly (Includes Items 1 Thru 37)   |
| 1    | 1-4401   | COLLAR, Lock (Includes 9-0201, 5/16-18 x 5/16" Setscrew)  |
| 2    | 1-8822   | BALL BEARING, Axle (in 6-0662)  |
| --   | 1-2296   | POWDERED METAL BEARING, Axle (in 6-0411)  |
| 3    | 1-0969   | NUT, 5/16-24 Hex Flange Lock  |
| 4    | 3-1079   | WASHER, Thrust  |
| 5    | 3-8067   | PLATE, Differential   |
| 6    | 2-2115   | SPACER, Pinion (4)  |
| 7    | 2-1127   | GEAR, Differential Pinion (4)   |
| 8    | 1-1072*  | WASHER, Thrust  |
| 9    | 5-1584   | ASSEMBLY, Drive Hex Tube  |
| 10   | 1-0988   | WASHER, Hex Nylon Splash (3)  |
| 11   | 1-0964   | GEAR, 11 Teeth- 10 Pitch  |
| 12   | 1-0941   | CHAIN, 46 Pitch (No. 35)  |
| 13   | 2-1129   | SPROCKET  |
| 14   | 1-0965   | RING, External Retaining  |
| 15   | 2-1128   | SPACER  |
| 16   | 1-2332   | CLAMP, Boot 2" (Found in 6-0411)  |
| --   | 1-4542   | CLAMP, Boot 3" (Found in 6-0662)  |
| 17   | 1-1071*  | THRUST WASHER (2)   |
| 18   | 1-1024*  | PLUG, Oil Fill & Check  |
| 19   | 3-7279   | CASE, Transmission  |
| 20   | 2-8762   | GASKET, Transmission Case   |
| 21   | 3-7957   | FENDER, Right Hand<br>(33" Deck Differential Models) (2.498" Hole for Ball Bearing) (Found in 6-0662) |
| --   | 3-7280   | FENDER, Right Hand<br>(28", 30" Deck Differential Models) (1.62" Hole for Bushing)(Found in 6-0411)   |
| 22   | 2-1158   | GEAR, 63 Teeth- 10 Pitch  |
| 23   | 4-7763   | AXLE, Long (Includes Gear) (Use Only With Short Axle P/N 5-7398)                                      |
| 24   | 7-4431   | SPACER  |
| 25   | 5-7398   | AXLE, Short (Includes Gear) (Use Only With Long Axle P/N 4-7763)                                      |
| 26   | 1-2333   | SCREW, 5/16-24 x 1-5/8" Hex Cap Special Lock (4)  |
| 27   | 1-1156   | O-RING, 5/16" (2)   |
| 28   | 1-1782   | WASHER, 5/16" Belleville (2)  |
| 29   | 9-0395   | WASHER, 5/16" External Tooth Lock   |
| 30   | 9-0188   | WASHER, 5/16" Flat  |
| 31   | 1-1042   | BOLT, 5/16-24 x 2-5/8" Idler  |
| 32   | 9-0362   | SCREW, 1/4-20 x 5/8" Hex Washer Self-Tap (13)   |
| 33   | 3-2107   | SPACER, Short Axle  |
| 34   | 1-2271*  | SHIM WASHER (Split) (2)   |
| 35   | 1-1817   | SEAL  |
| 36   | 1-4541   | BOOT, Large (Found in 6-0662)   |
| --   | 3-1732   | CAP (Found in 6-0411)   |

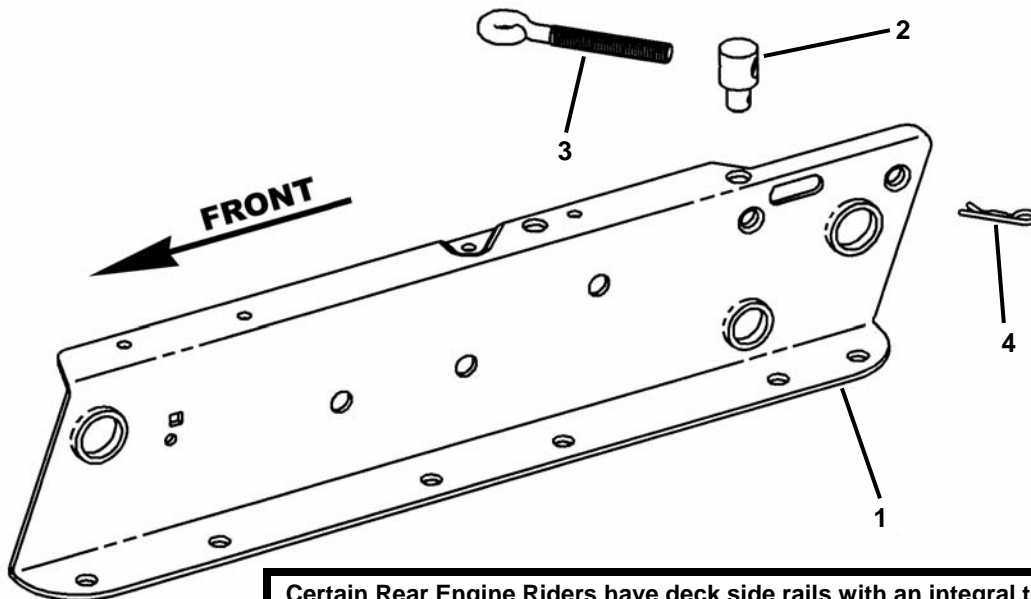
|   |
|---|
| <b>*Components of 6-0277<br/>Hardware Bag</b> |
|---|

## ACCESSORIES, LONG & SHORT AXLE KIT



| ITEM | PART NO. | DESCRIPTION  |
|------|----------|--|
| --   | 6-0412   | KIT, Long and Short Axles (Includes items 1 and 2) |
| 1    | 4-7763   | WELDMENT, Long Axle                                |
| 2    | 5-7398   | ASSEMBLY, Short Axle, 23T                          |

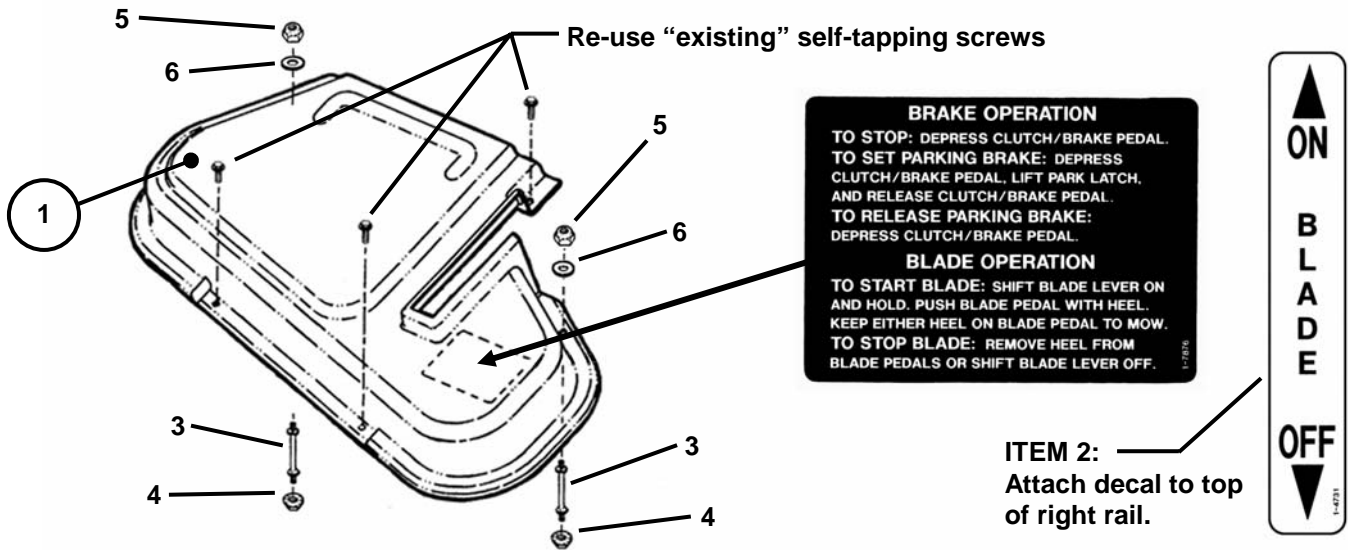
## ACCESSORIES, DECK LEFT HAND SIDE RAIL REPLACEMENT KIT



Certain Rear Engine Riders have deck side rails with an integral tab that is used To anchor the blade brake. This specific side rail type is no longer available from part sales. This Deck rail Replacement Kit should be used on all Rear Engine Riders for replacement of the discontinued deck side rail.

| ITEM | PART NO. | DESCRIPTION  |
|------|----------|--|
| --   | 6-3062   | KIT, Deck Side Rail Replacement (Includes items 1 and 4) |
| 1    | 7-3269   | RAIL, Deck Lift Left Hand                                |
| 2    | 2-8200   | SWIVEL   |
| 3    | 2-9244   | EYE BOLT   |
| 4    | 1-5067   | HAIR PIN   |

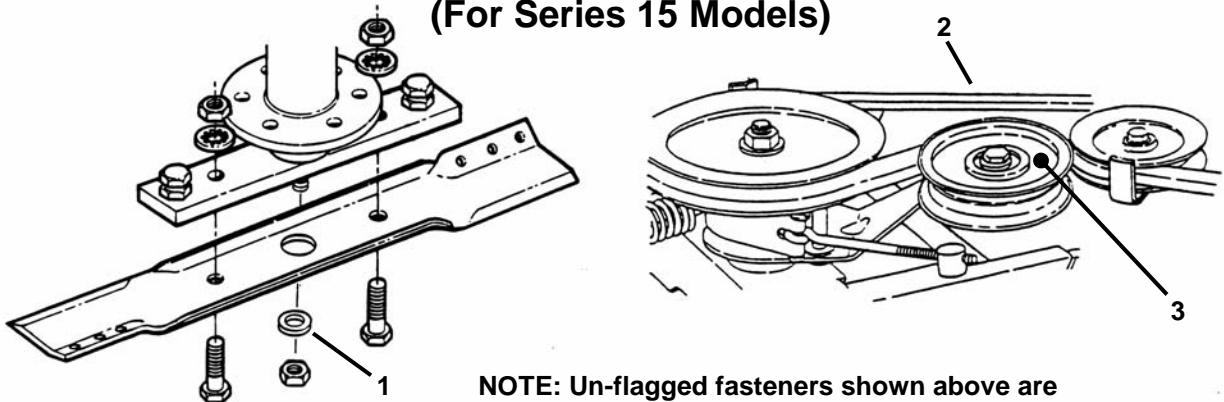
## ACCESSORIES, SPINDLE COVER KIT



This kit fits all SNAPPER Rear Engine Riders with 41" & 42" cutting decks. This new spindle cover was Designed to allow easy clean up of accumulated debris on top of deck. This cover is more simple to remove to gain access for belt replacement.

| ITEM | PART NO. | DESCRIPTION  |
|------|----------|--|
| --   | 6-1848   | KIT, Spindle Cover for 41" & 42" Decks (Includes Items 1 thru 6) |
| 1    | 5-4063   | ASSEMBLY, Belt Cover and Brake/Blade Operation Decal             |
| 2    | 1-4731   | DECAL, Blade   |
| 3    | 2-9303   | STANDOFF, 3-1/2" (2)   |
| 4    | 9-0613   | NUT, 3/8-16 Hex Flange Lock (2)                                  |
| 5    | 9-0717   | NUT, 5/16-18 Hex Nyloc (2)                                       |
| 6    | 9-1720   | WASHER, .453 I.D., Flat (2)                                      |

## ACCESSORIES, IDLER PULLEY & DRIVE BELT REPLACEMENT KIT (For Series 15 Models)

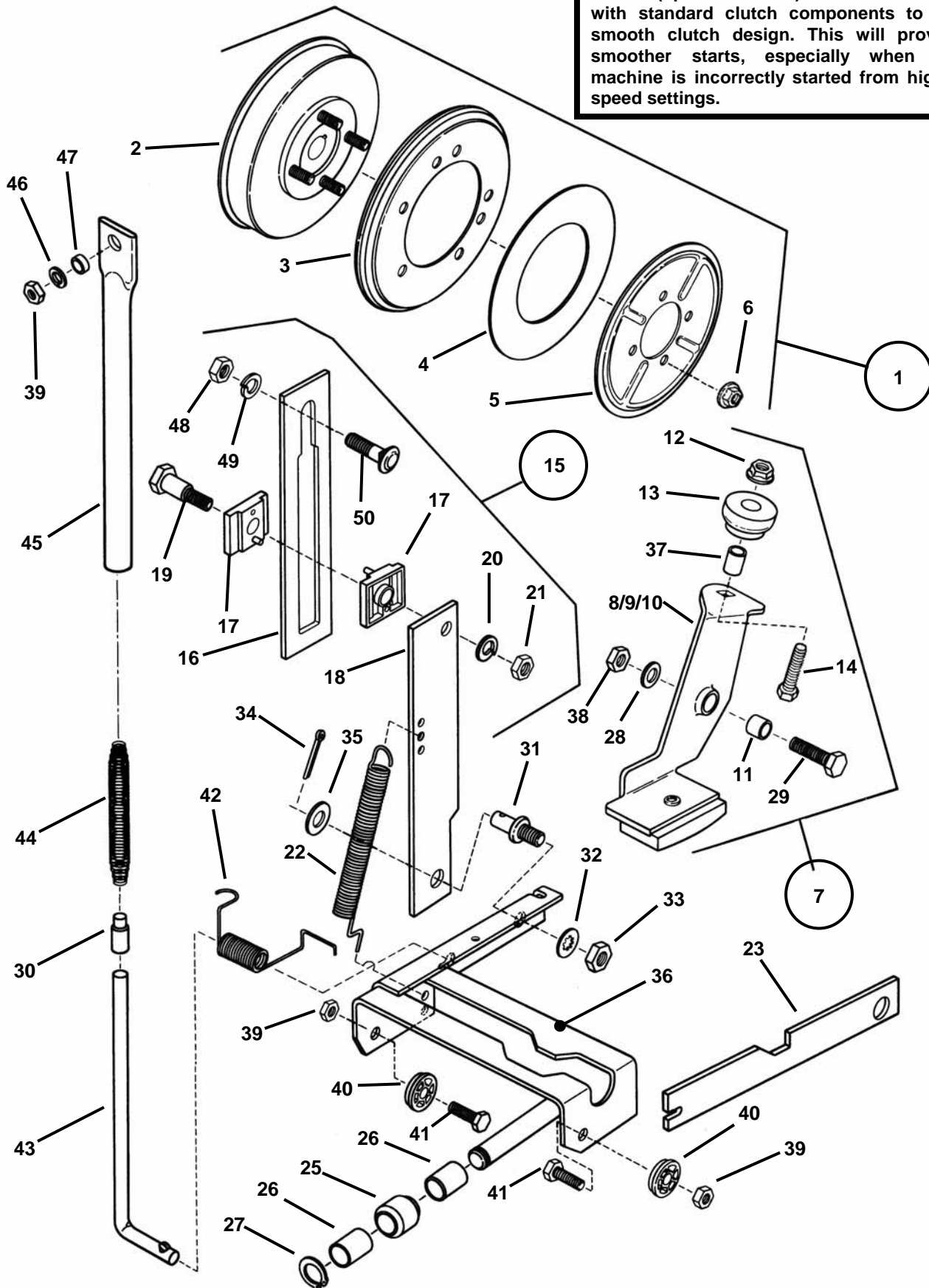


This kit may be used on 26", 28", 30" and 33" single blade mower decks to reduce vibrations on Series 15 Models.

| ITEM | PART NO. | DESCRIPTION   |
|------|----------|---|
| --   | 6-1975   | KIT, Idler Pulley & Drive Belt Replacement (Incl. Items 1 thru 3) |
| 1    | 4-4782   | SPACER, Blade Centering   |
| 2    | 4-3844   | BELT, Drive Deck (AA Section, 73.75" Effective Length)            |
| 3    | 2-9624   | PULLEY, Idler   |

# ACCESSORIES, SMOOTH CLUTCH KIT

This kit is only intended to convert old Riders (up to Series 6) which were built with standard clutch components to the smooth clutch design. This will provide smoother starts, especially when the machine is incorrectly started from higher speed settings.



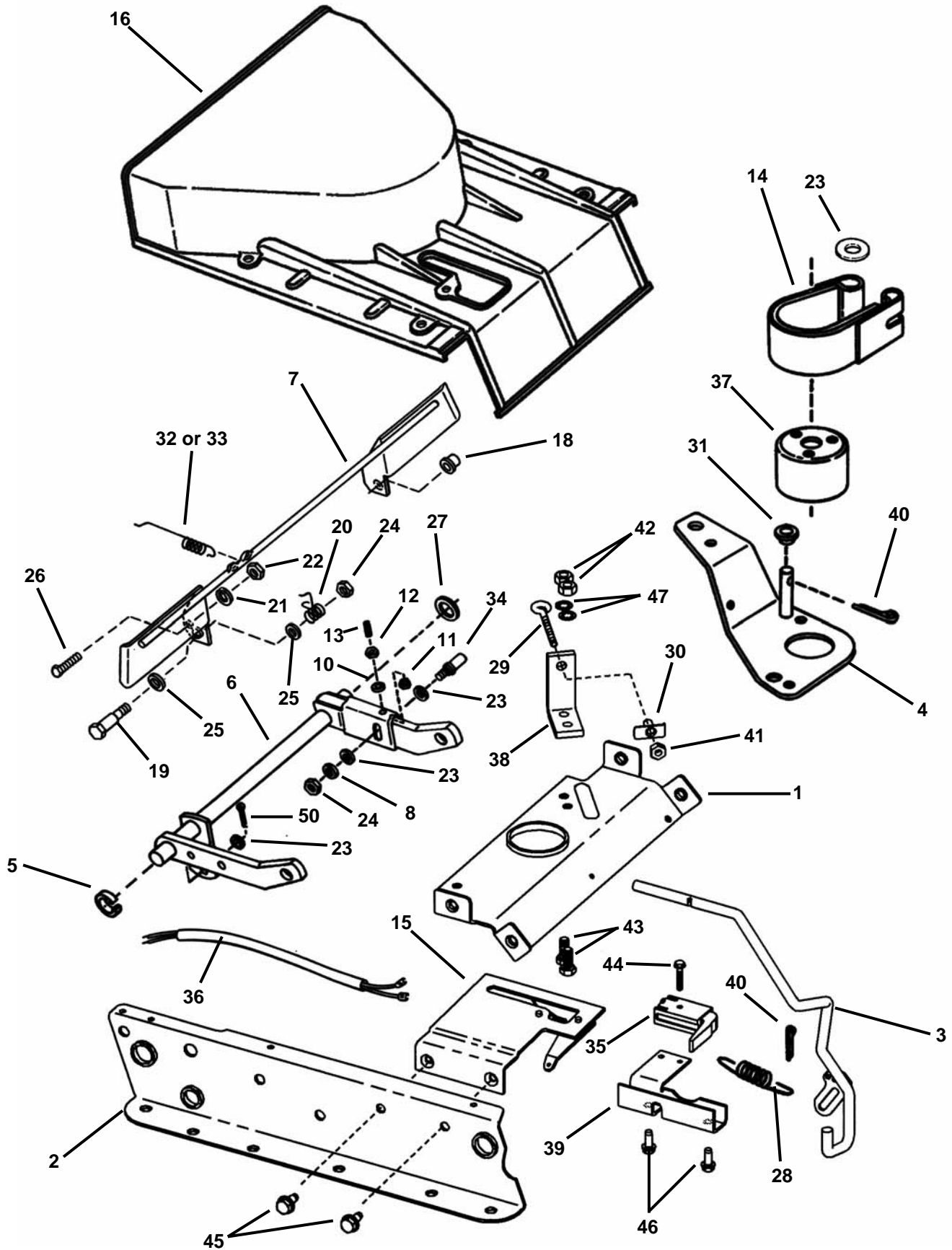


## ACCESSORIES, SMOOTH CLUTCH KIT

| ITEM | PART NO. | DESCRIPTION  |
|------|----------|--|
| --   | 6-0601   | KIT, Smooth Clutch Kit (Includes items 1 thru 35)  |
| 1    | 5-3114   | ASSEMBLY, Smooth Clutch (Includes items 2 thru 6)  |
| 2    | 5-4243   | DRIVEN CUP & HUB                                   |
| 3    | 5-3103   | FRICTION RING                                      |
| 4    | 1-4523   | WASHER, Thrust                                     |
| 5    | 3-2331   | PLATE  |
| 6    | 9-0585   | NUT, 5/16-18 Hex Flange Lock (4)                   |
| 7    | 5-1603   | ASSEMBLY, Brake Lever (Includes items 8 thru 14)   |
| 8    | 3-1022   | LINING, Brake                                      |
| 9    | 1-3860   | RIVET  |
| 10   | 3-2337   | LEVER, Brake                                       |
| 11   | 1-0916   | SPACER   |
| 12   | 9-0477   | NUT, 1/4-20 Hex Flange                             |
| 13   | 1-5278   | ROLLER   |
| 14   | 9-0073   | SCREW, 1/4-20 x 3/4" Hex Head Cap                  |
| 15   | 5-1474   | ASSEMBLY, Guide & Link (Includes items 16 thru 21) |
| 16   | 3-2370   | GUIDE, Clutch Link                                 |
| 17   | 1-4663   | SLIDE HALF (2)                                     |
| 18   | 3-2371   | LINK, Clutch                                       |
| 19   | 1-4664   | BOLT, 5/16-18 Shoulder                             |
| 20   | 9-0187   | WASHER, 5/16" Split Lock                           |
| 21   | 9-0196   | NUT, 5/16-18 Hex                                   |
| 22   | 1-3885   | SPRING, Clutch/Brake                               |
| 23   | 3-2392   | TOOL, Smooth Clutch                                |
| 24   | 6-0610   | BAG, Hardware (Includes items 25 thru 35)          |
| 25   | 1-4767   | ROLLER, Parking Brake                              |
| 26   | 1-4599   | SPACER, Roller (2)                                 |
| 27   | 1-0776   | RING, 1/2" External Retaining                      |
| 28   | 9-1294   | WASHER, 1/4 Flat                                   |
| 29   | 9-0535   | SCREW, 1/4-28 x 1" Hex Head Cap                    |
| 30   | 1-4600   | SPACER, Spring (Plug)                              |
| 31   | 1-4680   | STUD, Clutch Link (3/8-24 thread)                  |
| 32   | 9-0390   | WASHER, 3/8" Internal Tooth Lock                   |
| 33   | 9-0155   | NUT, 3/8"-24 Hex                                   |
| 34   | 9-0038   | PIN, 3/32 x 1" Cotter                              |
| 35   | 9-0122   | WASHER, 3/8" Flat                                  |
| 36*  | 4-7843   | LIFT, Yoke   |
| 37*  | 1-4730   | BUSHING  |
| 38*  | 9-0303   | NUT, 1/4-28 Hex Top Lock                           |
| 39*  | 9-0222   | NUT, 5/16-24 Hex Center lock (3)                   |
| 40*  | 1-1048   | BEARING, Yoke (2)                                  |
| 41*  | 9-0233   | SCREW, 5/16-24 x 3/4" Hex Head Cap (2)             |
| 42*  | 1-1821   | SPRING   |
| 43*  | 3-1729   | ROD  |
| 44*  | 1-1820   | SPRING, 25 Coils                                   |
| --*  | 1-4771   | SPRING, 34 Coils                                   |
| 45*  | 2-1706   | TUBE   |
| 46*  | 9-0187   | WASHER, 5/16 Split Lock                            |
| 47*  | 1-1968   | ROLLER   |
| 48*  | 9-0130   | NUT, 3/8-16 Hex                                    |
| 49*  | 9-0118   | WASHER, 3/8" Split Lock                            |
| 50*  | 9-0850   | BOLT, 3/8-16 x 3/4" Short Neck Carriage            |

**\*NOTE: Items 36 through 50 are not included in kit.**

# AUTOMATIC BLADE STOP KIT

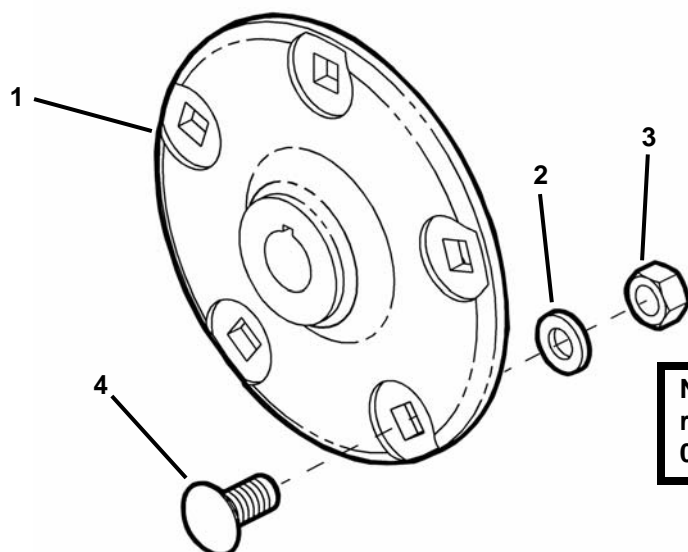


# AUTOMATIC BLADE STOP KIT

Installation of this kit will update Snapper rear engine Riding Mowers to include the Automatic Blade Stop (ABS) feature introduced as standard equipment for the '83 model year. The kit applies directly to all HI-VAC (25, 28 & 33) models and to standard 23 and 30" models built after 1974. Consult the Snapper Customer Service Department for application on models built before 1974. With ABS properly installed and adjusted, the cutter blade will stop in less than three seconds after release of the blade pedals. Refer to the Snapper #1-4018 Operator's Manual provided in the kit for operating instructions after installing the kit.

| ITEM | PART NO. | DESCRIPTION  | ITEM | PART NO. | DESCRIPTION                                      |
|------|----------|--|------|----------|--|
| --   | 6-0571   | KIT, Automatic Blade Stop<br>(Incl. items 1 thru 17) | 25   | 9-0250   | WASHER, 1/2" Flat (4)                            |
| 1    | 3-1838   | TOP BRACE  | 26   | 9-0535   | SCREW, 1/4-28 x 1" Hex Head<br>Cap, Grade 5 (2)  |
| 2    | 3-3037   | SIDE RAIL, Right Hand                                | 27   | 1-0935   | WASHER, .77 I.D. x 1.13 O. D. x<br>.06 Thick     |
| 3    | 4-1324   | WELDMENT, Blade<br>Engagement Handle                 | 28   | 1-4168   | SPRING, Blade Handle                             |
| 4    | 4-7787   | WELDMENT, Idler Arm                                  | 29   | 1-4302   | EYE BOLT, 1/4-20 Thread                          |
| 5    | 1-2067   | RING, Front Lift Arm- Red (2)                        | 30   | 1-4303   | T-NUT, 1/4-20                                    |
| 6    | 4-7786   | WELDMENT, Front Lift Arm                             | 31   | 1-4314   | SPACER, Nylon                                    |
| 7    | 4-7788   | WELDMENT, Foot Pedal                                 | 32   | 1-4320   | LATCH SPRING (for 28" & 30")                     |
| 8    | 9-0118   | WASHER, 3/8" Split Lock                              | 33   | 1-4389   | LATCH SPRING (for 33" & 41")                     |
| 9    | 9-0164   | SCREW, 3/8-24 x 1-1/2" Hex<br>Head Cap               | 34   | 1-4399   | BOLT, 3/8-24 Hex Head Shoulder                   |
| 10   | 9-0188   | WASHER, 5/16" Flat                                   | 35   | 1-8524   | SWITCH   |
| 11   | 9-0196   | NUT, 5/16-18 Hex                                     | 36   | 1-8525   | DECK WIRE  |
| 12   | 9-0197   | NUT, 5/16- Hex Jam                                   | 37   | 3-2169   | DRUM, Brake                                      |
| 13   | 9-0809   | SET SCREW, 5/16-18 x 1-1/4"<br>Hex Socket            | 38   | 3-2243   | ANCHOR   |
| 14   | 5-2886   | ASSEMBLY, Brake Band                                 | 39   | 3-8021   | MOUNT, Switch                                    |
| 15   | 5-3923   | ASSEMBLY, Clutch Plate                               | 40   | 9-0037   | PIN, 3/32 x 3/4" Cotter (2)                      |
| 16   | 5-7294   | COVER, Spindle (Includes<br>Decal 1-4205)            | 41   | 9-0063   | NUT, 1/4-20 Hex, Grade 5 or B                    |
| 17   | 6-0590   | HARDWARE BAG (Includes<br>itewms 18 thru 49)         | 42   | 9-0223   | NUT, 5/16-24 Hex, Gr. 5 or B (2)                 |
| 18   | 1-4101   | PUSH NUT, 1/2" (2)                                   | 43   | 9-0233   | SCREW, 5/16-24 x 3/4" Hex<br>Head Cap (2)        |
| 19   | 1-4158   | SHOULDER BOLT, 3/8-24 Hex<br>Head (2)                | 44   | 9-0299   | SCREW, #10-32 x 1" Hex<br>Washer Self-Tap        |
| 20   | 1-4166   | SPRING, Pedal (2)                                    | 45   | 9-0361   | SCREW, 5/16-18 x 5/8" Hex<br>Washer Self-Tap (2) |
| 21   | 9-0053   | WASHER, 1/4" Internal Tooth<br>Lock (2)              | 46   | 9-0362   | SCREW, 1/4-20 x 5/8" Hex<br>Washer Self-Tap (2)  |
| 22   | 9-0095   | NUT, 1/4-28 Hex (2)                                  | 47   | 9-0391   | WASHER, 5/16" Internal Tooth<br>Lock             |
| 23   | 9-0122   | WASHER, 3/8" Flat (3)                                | 48   | 1-4304   | PIN, 1/4 x 1-5/8" Clevis                         |
| 24   | 9-0155   | NUT, 3/8-24 Hex (3)                                  | 49   | 9-1294   | WASHER, 1/4" Flat                                |
|      |          |  | 50   | 9-0365   | PIN, 1/8 x 3/4" Cotter                           |

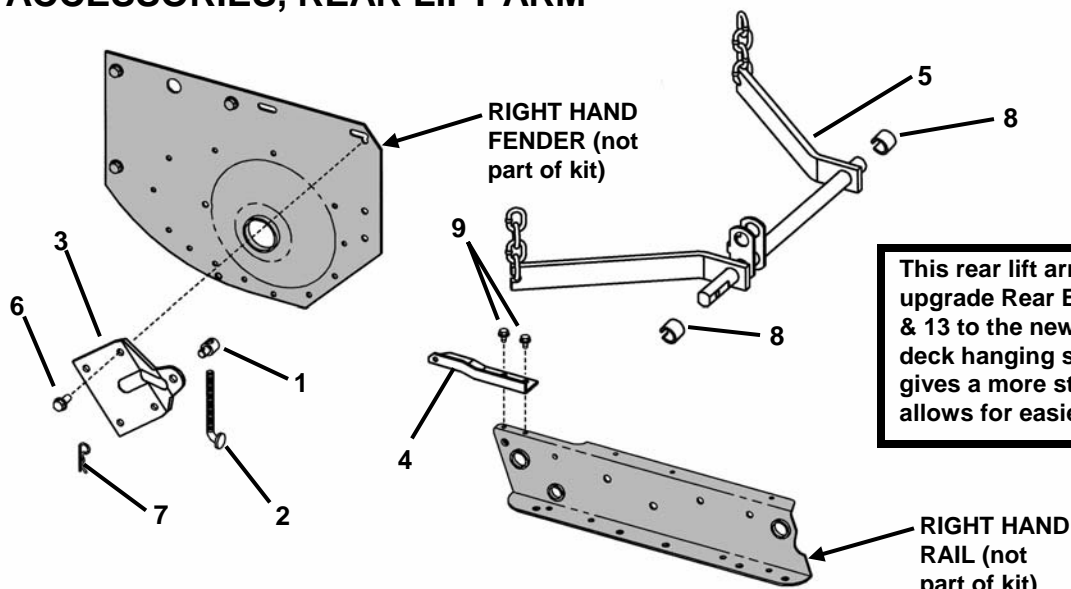
## ACCESSORIES, HUB KIT



**NOTE:** In order to have smoother starts replace these components with Kit# 6-0601, see previous two pages.

| ITEM | PART NO. | DESCRIPTION                                   |
|------|----------|---|
| --   | 6-0242   | KIT, Hub (Includes items 1 thru 4)            |
| 1    | 2-0911   | HUB   |
| 2    | 9-0187   | WASHER, 5/16 Split Lock (3)                   |
| 3    | 9-0196   | NUT, 5/16-18 Hex (3)                          |
| 4    | 9-0316   | BOLT, 5/16-18 x 3/4" Square Neck Carriage (3) |

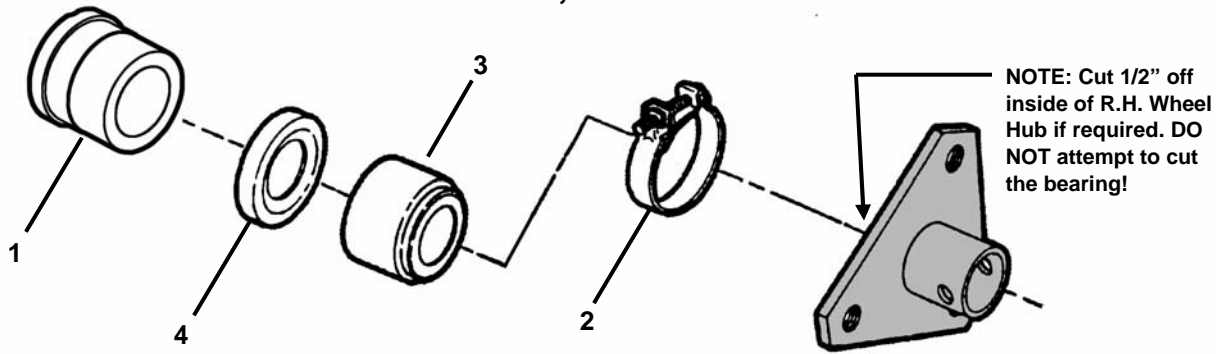
## ACCESSORIES, REAR LIFT ARM



This rear lift arm kit was designed to upgrade Rear Engine Rider Series 12 & 13 to the newer outboard chain deck hanging system. This design gives a more stable deck support and allows for easier adjustments.

| ITEM | PART NO. | DESCRIPTION   |
|------|----------|---|
| --   | 6-1803   | KIT, Lift Arm (Includes items 1 thru 8)                 |
| 1    | 2-8200   | SWIVEL, Adjustable (2)                                  |
| 2    | 2-8728   | HOOK, Chain (Adjuster) (2)                              |
| 3    | 3-4299   | WING, Rear (2)  |
| 4    | 3-4307   | BRACKET, Deck Lift                                      |
| 5    | 4-1627   | WELDMENT, Rear Lift Arm                                 |
| 6    | 9-0793   | SCREW, 5/16-18 x 3/4" Hex Washer Self-Tapping (4)       |
| 7    | 9-1503   | HAIRPIN, 3/32 x 1-1/2" (2)                              |
| 8    | 1-2068   | RING, Rear Lift Arm- Blue (2)                           |
| 9    | 9-1084   | SCREW, 1/4-20 x 3/8" Self-Tap (2) (Not included in kit) |

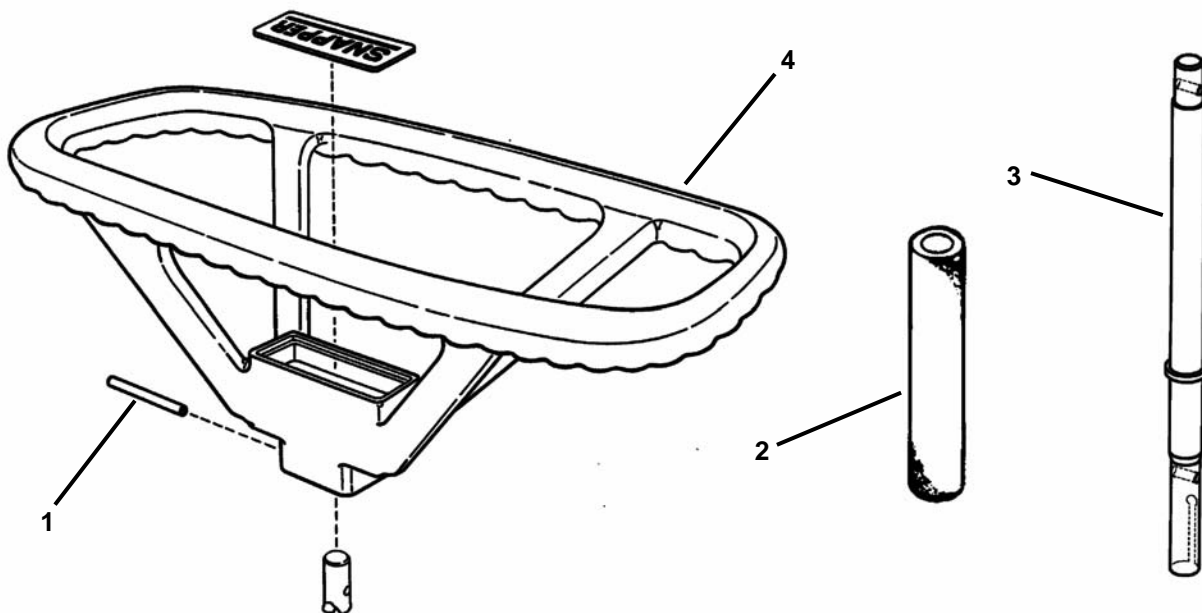
## ACCESSORIES, RIGHT HAND FENDER BEARING KIT



This kit includes an improved axle bearing which is about 1/2" longer in length than bearings used on very early models. This bearing and a shorter wheel hub are furnished on current production.

| ITEM | PART NO. | DESCRIPTION   |
|------|----------|---|
| --   | 6-0278   | KIT, R. H. Fender Bearing (Includes items 1 thru 4) |
| 1    | 1-2296   | BEARING, Axle                                       |
| 2    | 1-2332   | CLAMP, Boot   |
| 3    | 3-1732   | CAP, Seal   |
| 4    | 1-1817   | SEAL, Oil   |

## ACCESSORIES, STEERING WHEEL CONVERSION KIT

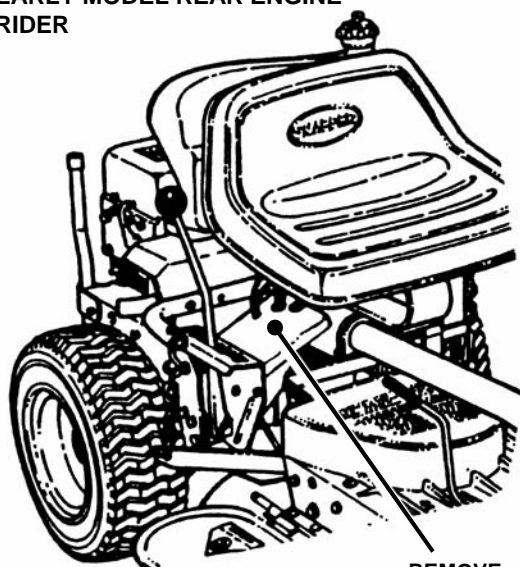


This kit converts Snapper Series 6 and earlier Riders from handle bar type steering to the steering wheel introduced on Series 7 Riders.

| ITEM | PART NO. | DESCRIPTION  |
|------|----------|--|
| --   | 6-0950   | KIT, Steering Wheel Conversion (Includes items 1 thru 4)         |
| 1    | 1-4106   | PIN, 1/4 x 1-3/4" Roll   |
| 2    | 2-3667   | FOAM COVER, Steering Shaft                                       |
| 3    | 4-0607   | WELDMENT, Conversion Rod   |
| 4    | 5-1941   | ASSEMBLY, Steering Wheel (Includes 2-3781 LOGO & Steering Wheel) |

# ACCESSORIES, INTERLOCK MODULE REPLACEMENT KIT

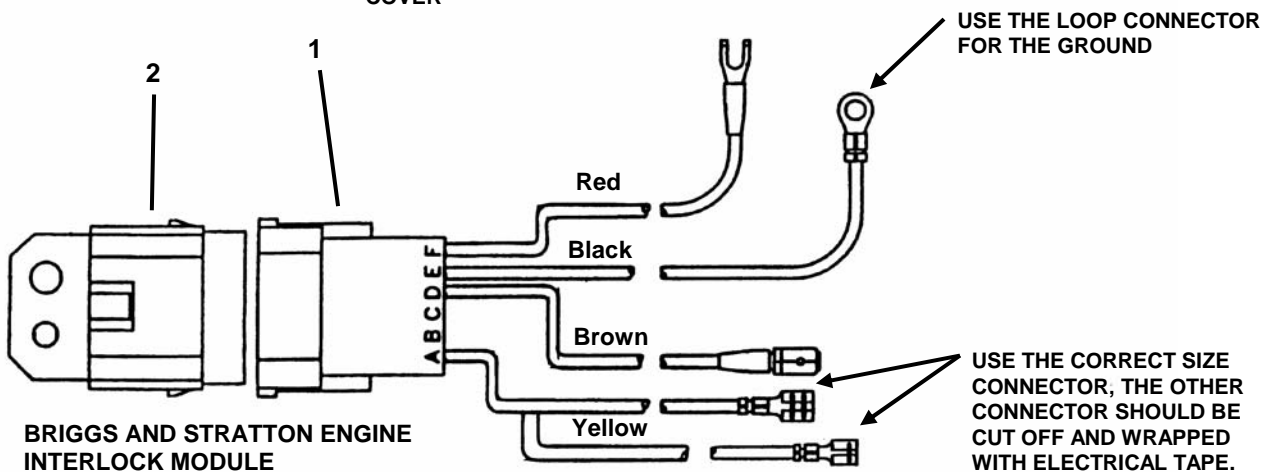
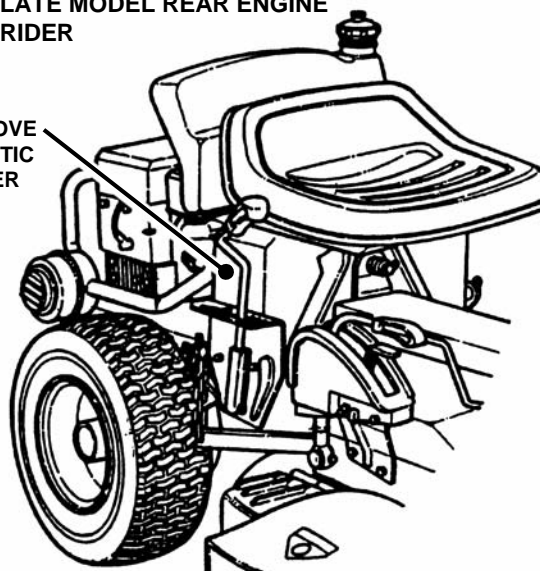
EARLY MODEL REAR ENGINE RIDER



REMOVE METAL COVER

LATE MODEL REAR ENGINE RIDER

REMOVE PLASTIC COVER



BRIGGS AND STRATTON ENGINE INTERLOCK MODULE

USE THE LOOP CONNECTOR FOR THE GROUND

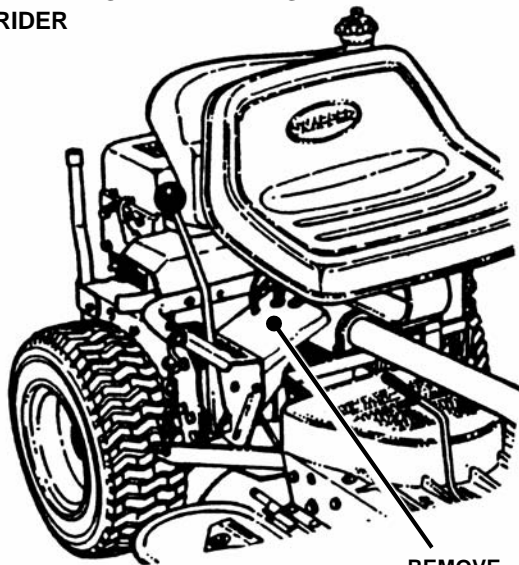
USE THE CORRECT SIZE CONNECTOR, THE OTHER CONNECTOR SHOULD BE CUT OFF AND WRAPPED WITH ELECTRICAL TAPE.

This Interlock Module Replacement Kit should be used to replace all interlock modules used on Rear Engine Riders Series 14 and Earlier Models with Briggs and Stratton engines. This kit replaces the following part numbers: 1-1868, 1-2035, 1-2632, 1-5760, 2-3782, & 2-4236.

| ITEM | PART NO. | DESCRIPTION                |
|------|----------|----------------------------|
| --   | 6-3064   | KIT, Briggs RER Module     |
| 1    | 4-7103   | HARNESS, Briggs RER Module |
| 2    | 2-8606   | INTERLOCK, B&S (0901)      |

# ACCESSORIES, INTERLOCK MODULE REPLACEMENT KIT

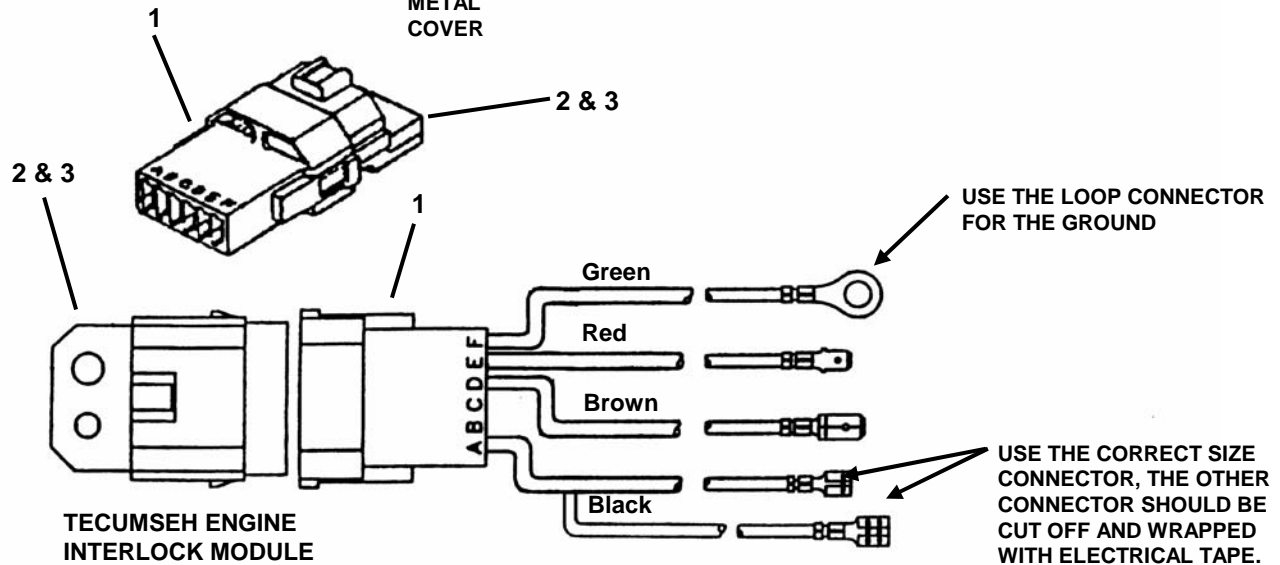
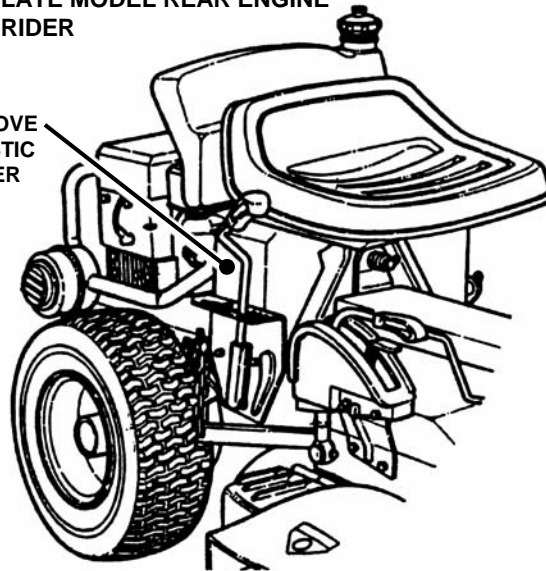
EARLY MODEL REAR ENGINE RIDER



REMOVE METAL COVER

LATE MODEL REAR ENGINE RIDER

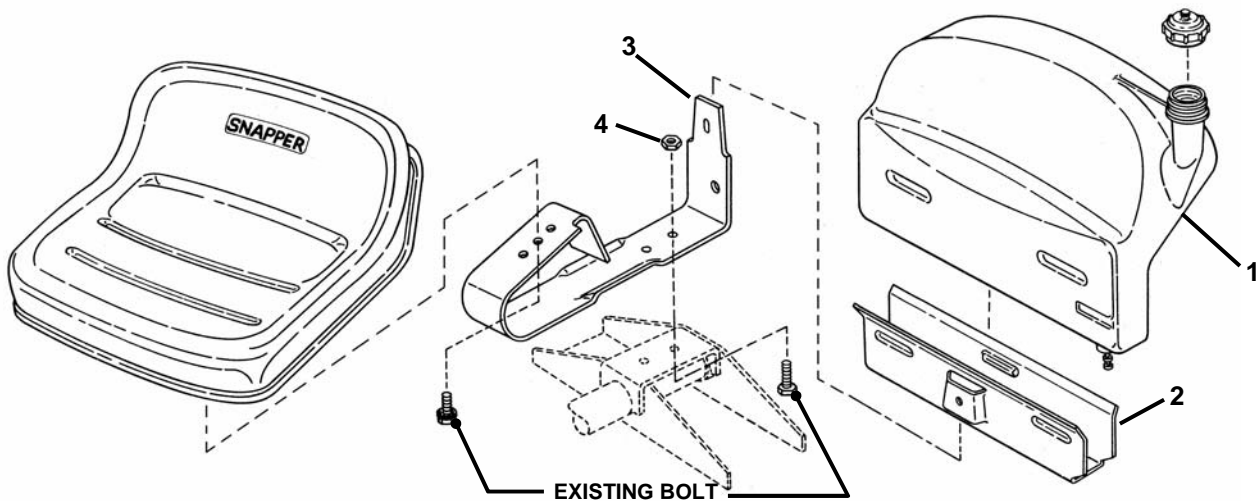
REMOVE PLASTIC COVER



This Interlock Module Replacement Kit should be used to replace all interlock modules used on Rear Engine Riders Series 14 and Earlier Models with Tecumseh or Kohler engines. This kit replaces the following part numbers: 1-1869, 1-2034, 1-2633, 1-5042 & 1-5759 (Tecumseh).

| ITEM | PART NO. | DESCRIPTION   |
|------|----------|---|
| --   | 6-3065   | KIT, Tecumseh RER Module                                  |
| 1    | 4-7102   | HARNESS, Tecumseh RER Module                              |
| 2    | 2-8606   | INTERLOCK, Briggs (0901) & Series 15 and higher Kohlers   |
| 3    | 2-8677   | INTERLOCK, Tecumseh (0901T) & series 14 and lower Kohlers |

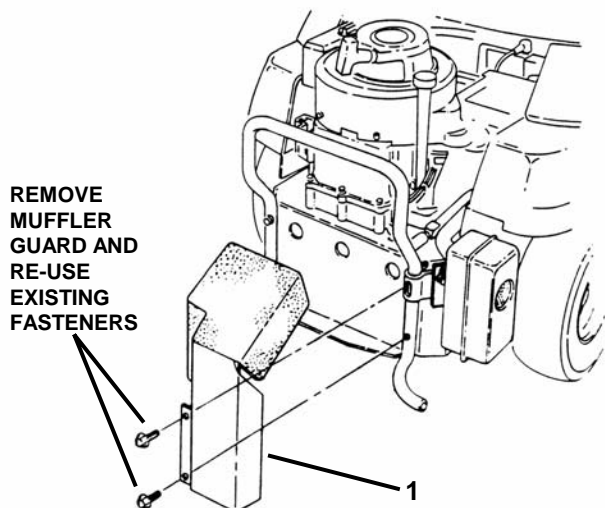
## ACCESSORIES, INBOARD GAS TANK KIT



This kit converts the fuel tank on Riding Mowers from side mounting to inboard location behind the operator's seat. Note that the muffler must discharge toward the rear of the rider. This can be accomplished through the use of Muffler Kit 6-0316 on 8HP or 6-0334 on 10-11HP units.

| ITEM | PART NO. | DESCRIPTION                                     |
|------|----------|---|
| --   | 6-0341   | KIT, Inboard Gas Tank (Includes items 1 thru 4) |
| 1    | 5-7243   | ASSEMBLY, Gas Tank (Includes Cap, 1-9378)       |
| 2    | 3-9607   | BRACKET, Tank                                   |
| 3    | 3-8333   | SEAT SPRING                                     |
| 4    | 9-0130   | NUT, 3/8-16 Hex (2)                             |

## ACCESSORIES, DEBRIS SHIELD KIT



Use this kit with all Single Bag and Twin Bag Catchers installed on all models of Snapper Yard Cruisers.

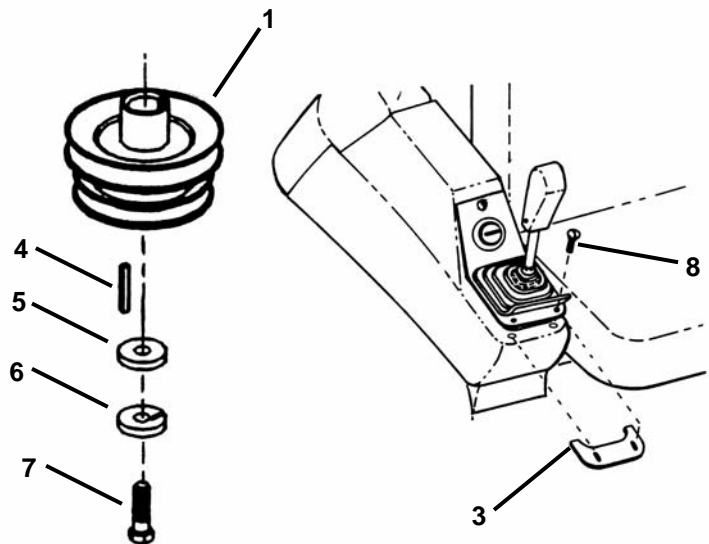
| ITEM | PART NO. | DESCRIPTION                               |
|------|----------|---|
| --   | 6-3035   | KIT, Debris Shield                        |
| 1    | 5-7709   | ASSEMBLY, Debris Shield (Includes item 2) |
| 2    | 7-1696   | DECAL, Heat Shield                        |



## ACCESSORIES, GROUND SPEED ACCELERATION KIT

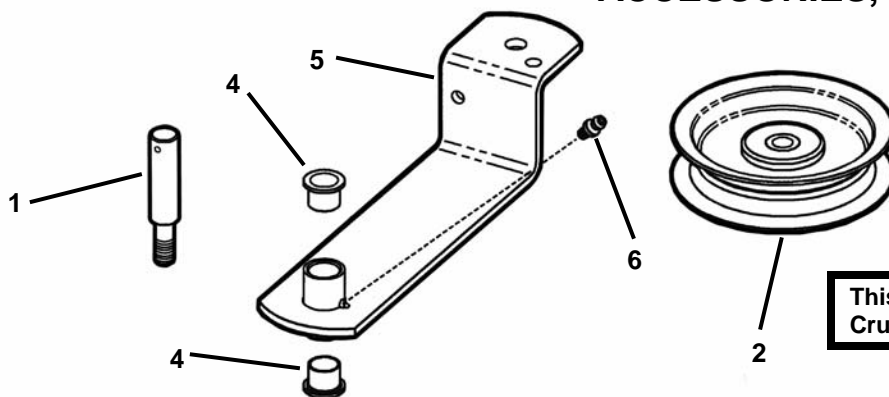
Use this kit with Snapper Series 0 Yard Cruisers to increase ground speed.

\*NOTE: Items 4 through 8 are not included in this kit.



| ITEM | PART NO. | DESCRIPTION  |
|------|----------|--|
| --   | 6-3063   | KIT, Ground Speed Acceleration (Includes items 1 thru 3) |
| 1    | 4-1822   | ASSEMBLY, Engine Pulley                                  |
| 2    | 4-1823   | V-BELT, HA Wrapped, Effective Length 42.00" (not shown)  |
| 3    | 4-6494   | STOP, Joystick   |
| 4*   | 1-0210   | KEY, 1/4" Square x 2"                                    |
| 5*   | 1-6147   | SPACER, Clutch   |
| 6*   | 9-1301   | WASHER, 7/16" Split Lock                                 |
| 7*   | 9-1763   | SCREW, 7/16-20 x 1-1/2" Hex Head Cap, Grade 5            |
| 8*   | 9-0999   | SCREW, 1/4-20 x 5/8" Pan Head Self-Tapping               |

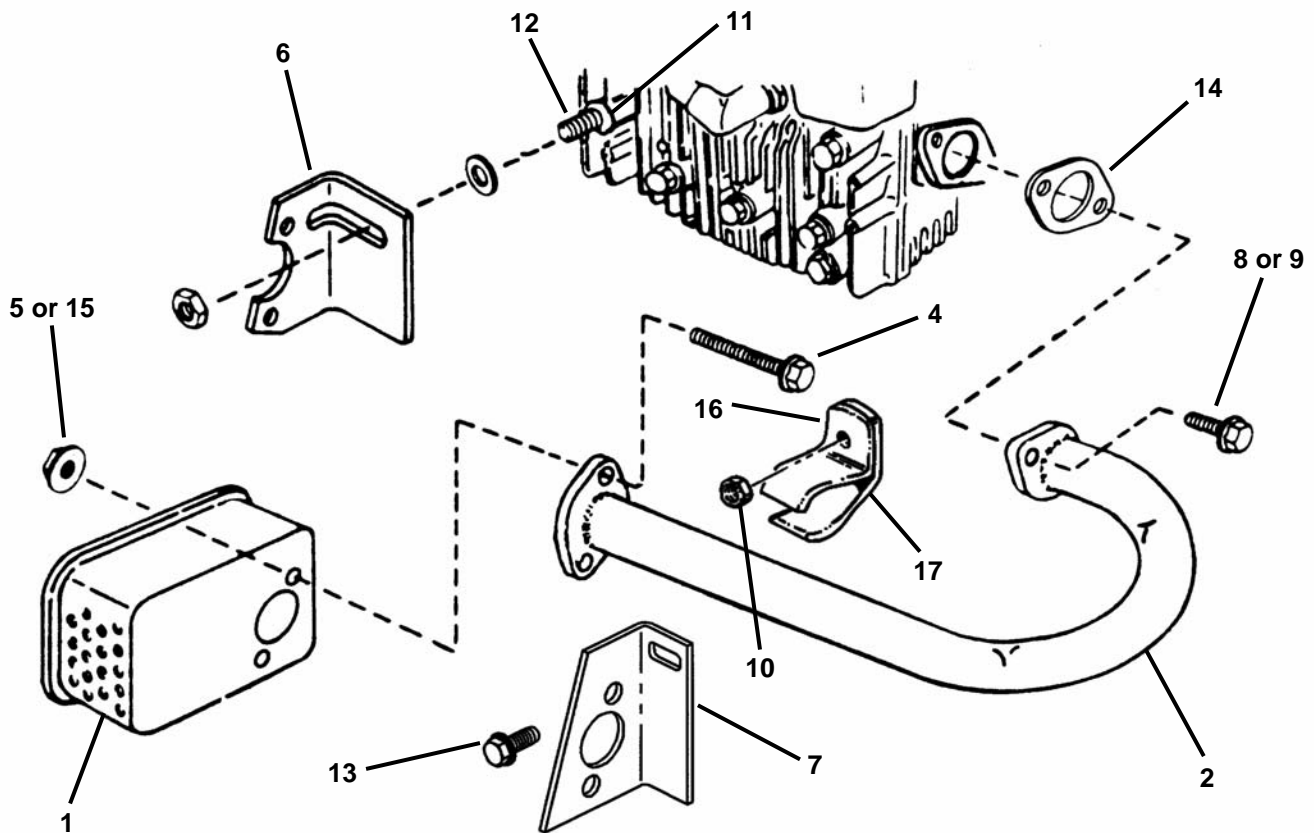
## ACCESSORIES, 38" IDLER ARM KIT



This kit is used on the 38" Yard Cruiser

| ITEM | PART NO. | DESCRIPTION   |
|------|----------|---|
| --   | 6-3127   | KIT, Idler Arm Kit (Includes items 1 thru 3)          |
| 1    | 4-2964   | STUD, Idler (5/16-24 Thread)                          |
| 2    | 7-2942   | IDLER, 4.00 O. D. Flat                                |
| 3    | 5-8440   | ASSEMBLY, Idler Arm (38" Deck) (Includes 4 through 6) |
| 4    | 1-1016   | BUSHING, 1/2" Nylon (2)                               |
| 5    | 5-8439   | WELDMENT, Idler Arm (38" Deck)                        |
| 6    | 1-3864   | LUBE FITTING, 3/16" Hole Press Fit                    |

## ACCESSORIES, 6-3016 MUFFLER KIT

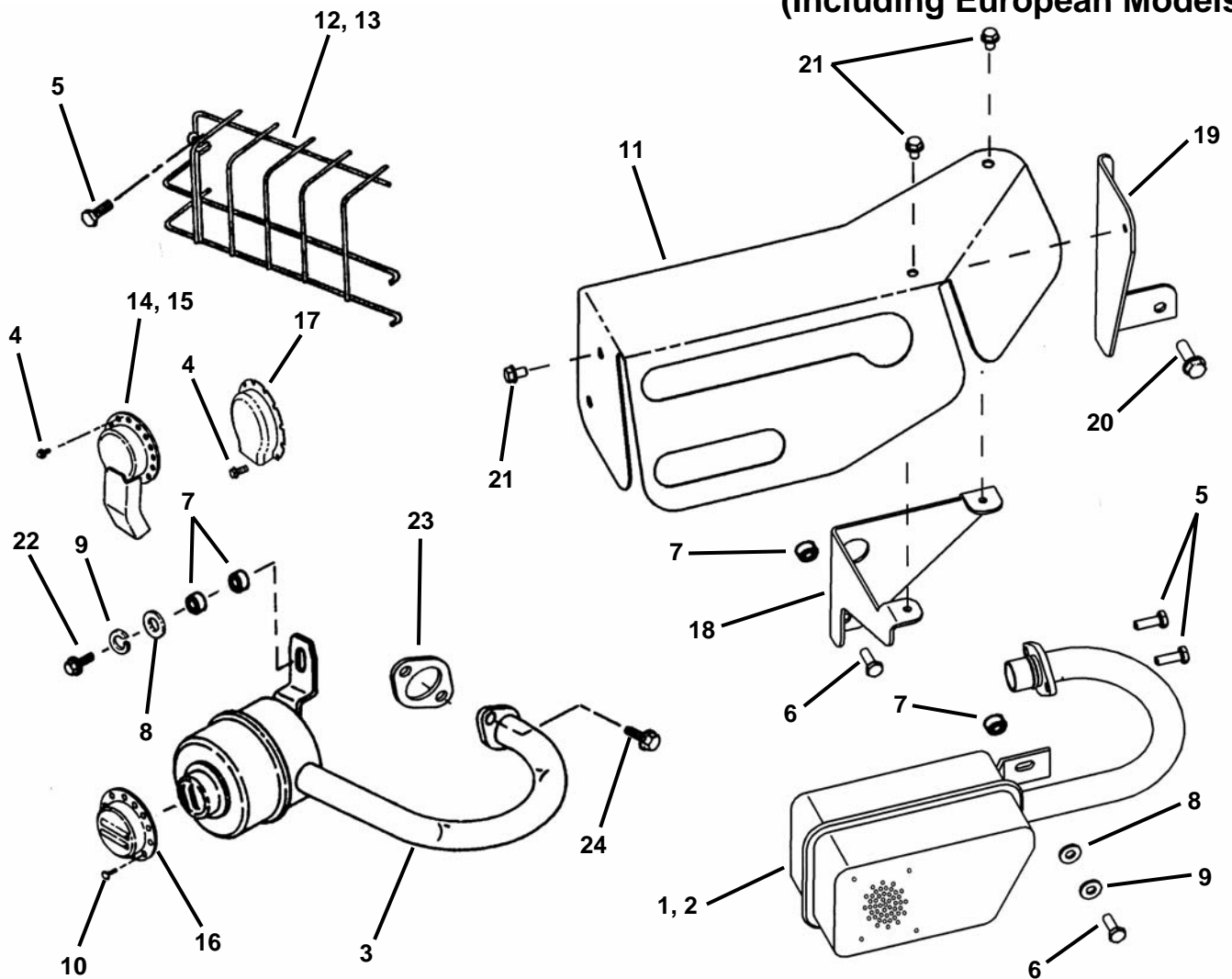


**Use this kit with Briggs and Stratton 6.5, 7, 8 and 9HP Engines.**

| ITEM | PART NO. | DESCRIPTION  |
|------|----------|--|
| --   | 6-0316   | KIT, Muffler (Includes items 1 thru 3)                     |
| 1    | 1-8198   | MUFFLER, 8HP   |
| 2    | 1-8197   | TUBE, Exhaust  |
| 3    | 6-0489   | HARDWARE BAG (Includes items 4 thru 13)                    |
| 4    | 9-0553   | SCREW, 5/16-18 x 3" Hex Head Cap (2)                       |
| 5    | 9-0585   | NUT, 5/16-18 Hex Flange Lock (2)                           |
| 6    | 3-2414   | BRACKET, Muffler (for Briggs engines)                      |
| 7    | 3-1958   | BRACKET, Muffler (for Tecumseh engines)                    |
| 8    | 9-0072   | SCREW, 1/4-20 x 5/8" Hex Head Cap (for Briggs engines) (2) |
| 9    | 1-2438   | SCREW, 5/16-18 x 3/4" Hex (2) (for Tecumseh engines)       |
| 10   | 9-0196   | NUT, 5/16-18 Hex   |
| 11   | 1-2418   | WASHER, 21/64" I. D. (Briggs #225137)                      |
| 12   | 1-2419   | STUD, Cylinder Head  |
| 13   | 9-0362   | SCREW, 1/4-20 x 5/8" Hex Washer Self-Tap (for Tecumseh)    |
| 14*  | 1-2422   | GASKET, Exhaust  |
| 15*  | 9-0184   | NUT, 5/16-18 Hex Center Lock (2)                           |
| 16*  | 3-1959   | CLIP, Top (for Briggs engines)                             |
| 17*  | 3-1957   | CLIP, Bottom (for Briggs engines)                          |

**NOTE: Items 14 through 17 are not included in this kit.**

## ACCESSORIES, BRIGGS 8, 9 & 13 HP MUFFLERS (Including European Models)

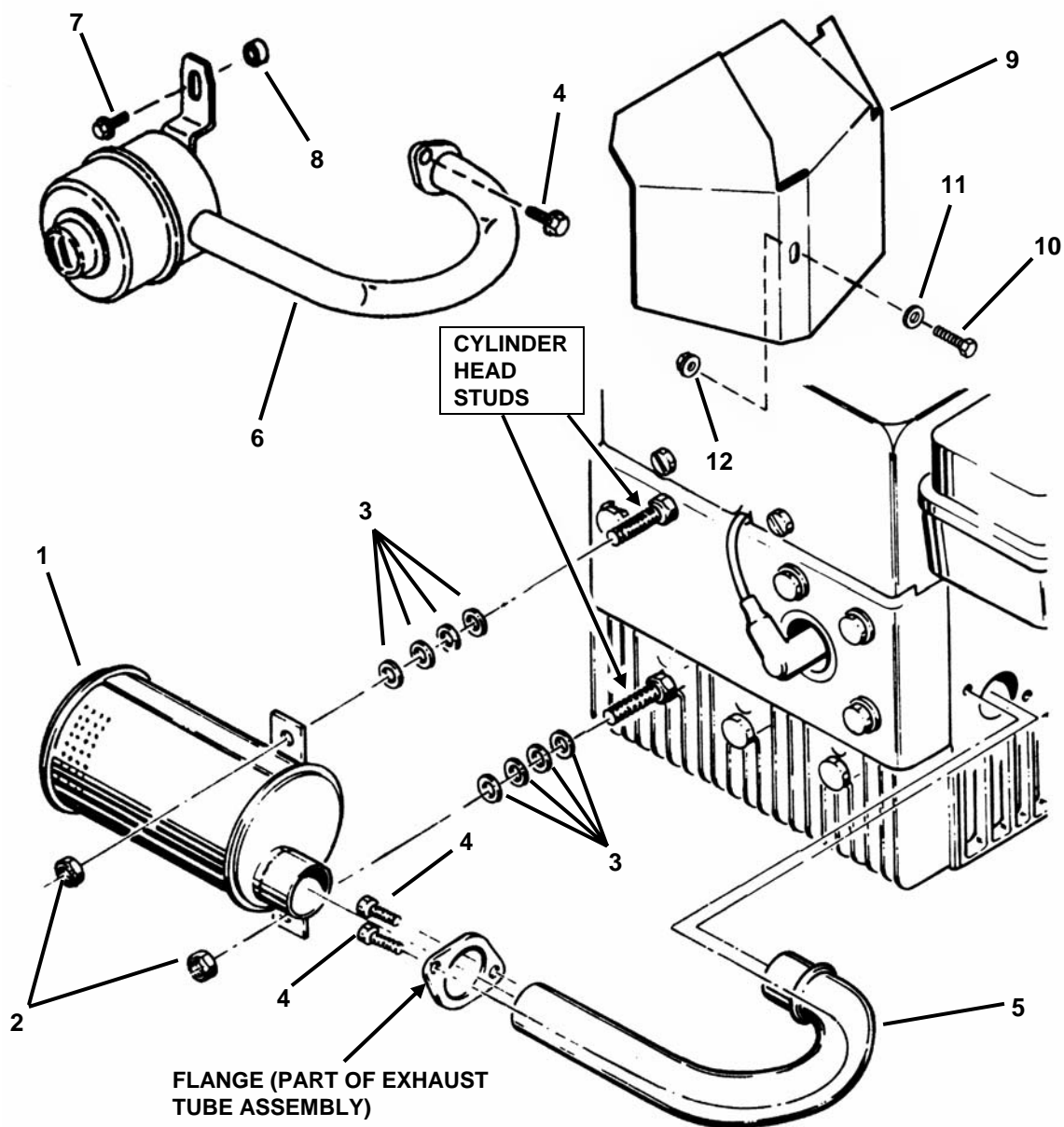


| ITEM | PART NO. | DESCRIPTION                                      |
|------|----------|--|
| 1    | 2-8358   | MUFFLER, 8HP Briggs                              |
| 2*   | 4-1824   | MUFFLER, 8HP Briggs<br>Lo-Tone                   |
| 3*   | 5-1996   | MUFFLER, Briggs 9-13HP)                          |
| 4    | 9-1581   | SCREW, #8-18 x 1/2" Self-Tap (28" w/Briggs) (10) |
| 5*   | 9-1495   | SCREW, 1/4-20 x 3/4" Hex Head Cap, Grade 5       |
| 6*   | 9-1059   | SCREW, 1/4-20 x 1" Hex Head Cap, Grade 5         |
| 7*   | 1-3849   | SPACER, .33 x .63 x .156                         |
| 8*   | 9-1294   | WASHER, 1/4" Flat                                |
| 9*   | 9-0052   | WASHER, 1/4" Split Lock                          |
| 10*  | 2-3023   | SCREW, #8-18 x 3/8" Hex Head                     |

| ITEM | PART NO. | DESCRIPTION                |
|------|----------|----------------------------|
| 11*  | 5-8578   | SHIELD, Heat Briggs        |
| 12   | 2-4092   | GUARD, Muffler 10 & 12 HP) |
| 13*  | 2-4441   | GUARD, Muffler 8 HP)       |
| 14*  | 4-1367   | DEFLECTOR, Heat (10/12)    |
| 15*  | 4-1368   | DEFLECTOR, Heat (8 HP)     |
| 16*  | 1-9257   | DEFLECTOR, Heat            |
| 17*  | 5-8585   | DEFLECTOR, Heat (Euro)     |
| 18*  | 5-8579   | BRACKET, Heat Shield Front |
| 19*  | 5-8580   | BRACKET, Heat Shield Rear  |
| 20*  | 9-0369   | SCREW, 5/16-18 x 1" Hex    |
| 21*  | 9-1293   | SCREW, 1/4-20x3/8" (3)     |
| 22*  | 9-1814   | SCREW, 1/4-20 x 1-1/4"     |
| 23   | 1-5352   | GASKET, Exhaust            |
| 24   | 9-0206   | SCREW, 5/16-18 x 3/4 (2)   |

**NOTE: \* Denotes European components.**

## ACCESSORIES, BRIGGS 10, 11 & 12 HP MUFFLERS

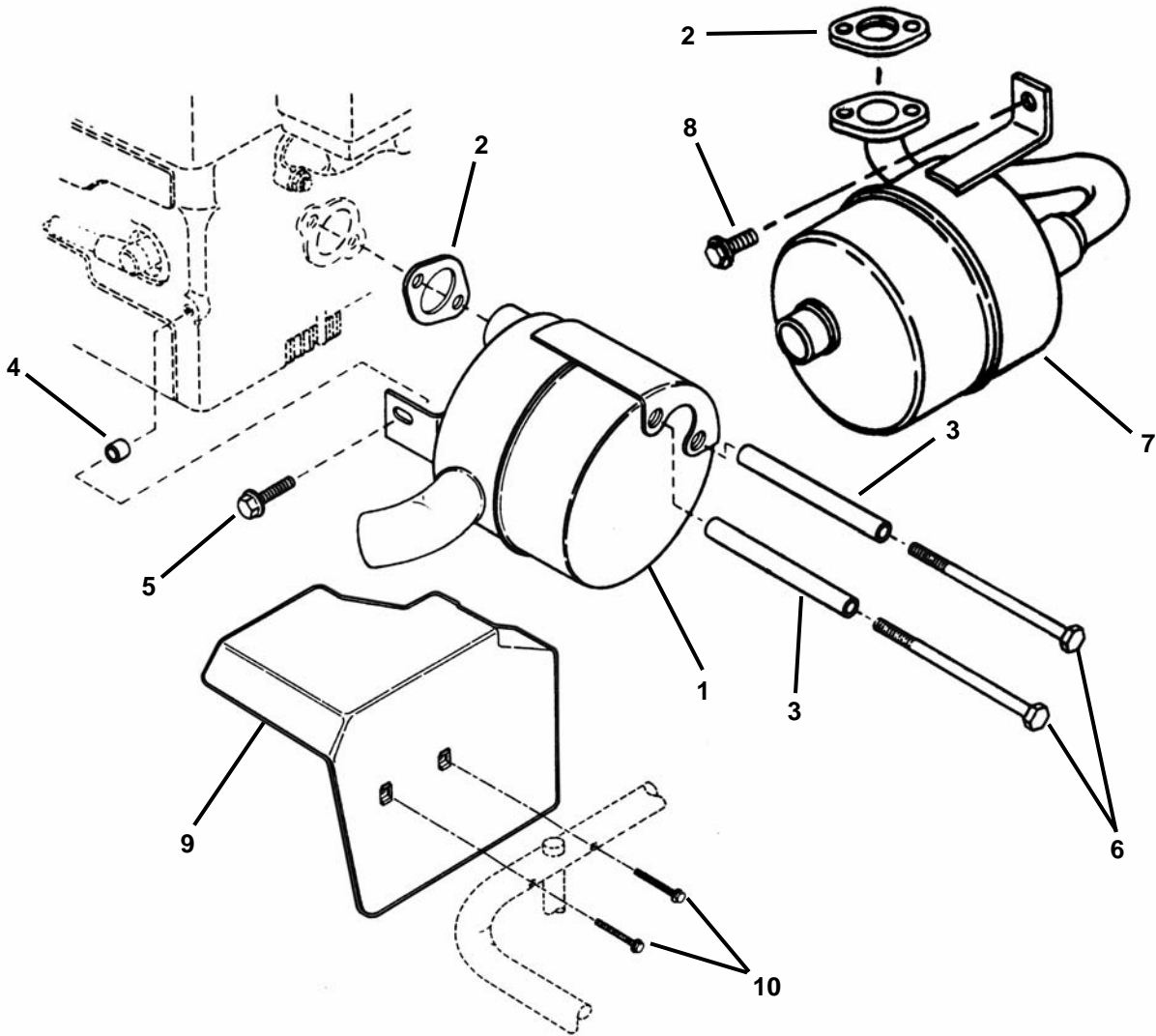


Use this kit with Briggs and Stratton 10, 11 and 12HP Engines.

| ITEM | PART NO. | DESCRIPTION                            |
|------|----------|--|
| --   | 6-0334   | KIT, Muffler (Includes items 1 thru 5) |
| 1    | 1-8213   | MUFFLER, 11HP Briggs                   |
| 2    | 9-0196   | NUT, 5/16-18 Hex (2)                   |
| 3    | 9-0188   | WASHER, 5/16 Flat (8)                  |
| 4    | 9-0206   | SCREW, 5/16-18 x 3/4" Hex Head Cap (2) |
| 5    | 1-8214   | TUBE, Exhaust (Includes Flange)        |
| 6    | 1-6079   | MUFFLER, 10 & 12HP Briggs              |
| 7    | 9-0073   | SCREW, 1/4-20 x 3/4" Hex Head Cap      |
| 8    | 2-1866   | SPACER (10HP Models)                   |
| 9    | 3-5048   | HEAT SHIELD, 11HP Briggs               |
| 10   | 9-0528   | SCREW, 1/4-28 x 1-1/2" Hex Head Cap    |
| 11   | 9-0055   | WASHER, 1/4" Flat                      |
| 12   | 9-0743   | NUT, 1/4-28 Hex Flange Lock            |

**NOTE:** Items 6 through 8 are not included in this kit.

## ACCESSORIES, BRIGGS 12, 14 & 14.5 HP MUFFLERS

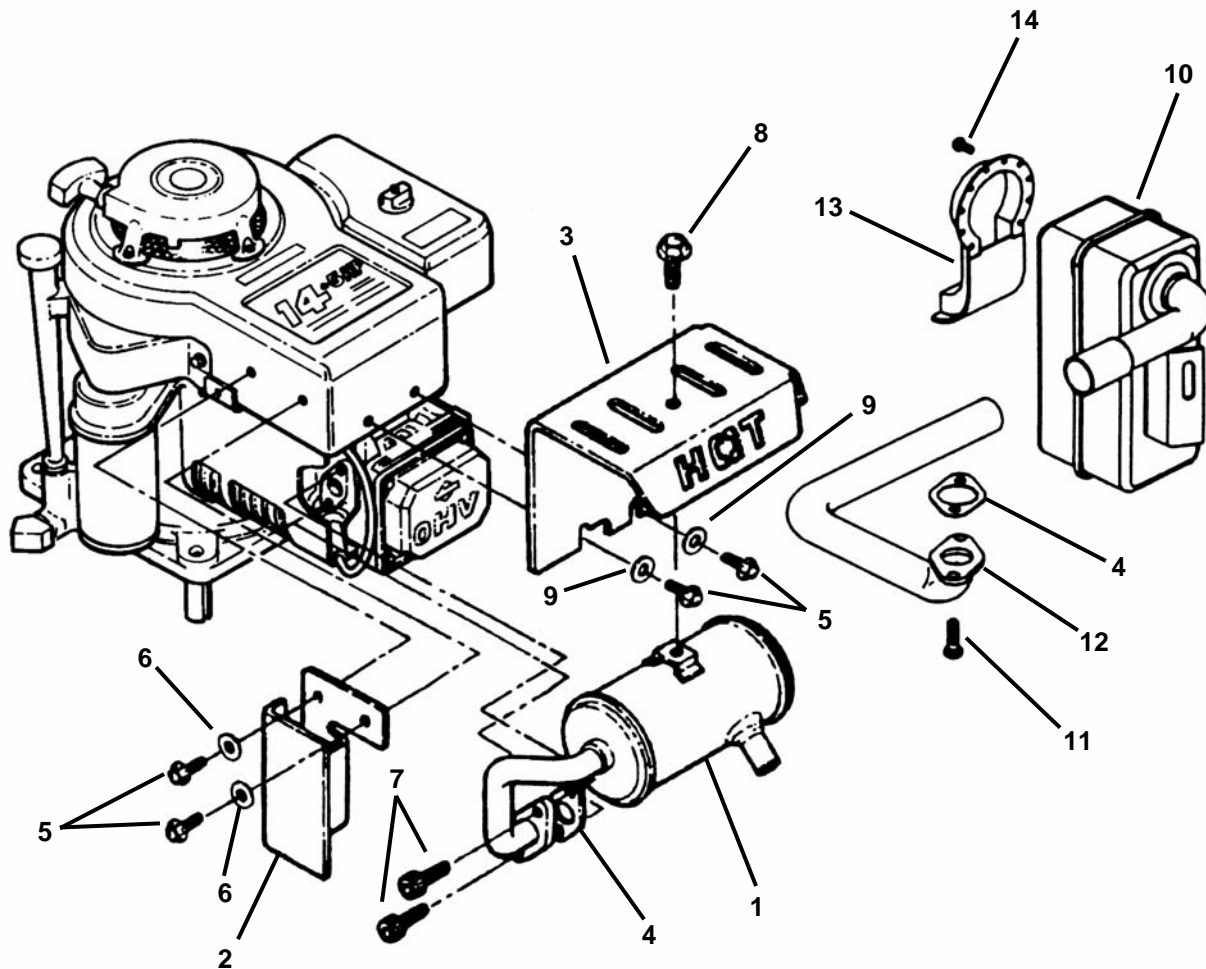


**Use this kit with Briggs and Stratton 12HP Engines.**

| ITEM | PART NO. | DESCRIPTION                                  |
|------|----------|--|
| --   | 6-0857   | KIT, Muffler (Includes items 1 thru 6)       |
| 1    | 1-6026   | MUFFLER, 12HP Briggs                         |
| 2    | 1-5352   | GASKET, Exhaust                              |
| 3    | 1-5353   | SPACER, .312 I.D. x 3-1/2" (2)               |
| 4    | 2-1866   | SPACER, .33 x .5 x .40 Thick                 |
| 5    | 9-0986   | BOLT, 1/4-20 x 1" Hex Flange Lock            |
| 6    | 9-0912   | SCREW, 5/16-18 x 4-1/4" Hex Head Cap (2)     |
| 7    |          | MUFFLER, 14 & 14-1/2HP Briggs                |
| 8    | 9-0362   | SCREW, 1/4-20 x 5/8" Hex Washer Self-Tapping |
| 9    | 5-1647   | ASSEMBLY, Heat Shield                        |
| 10   | 9-0922   | SCREW, #10-32 x 1-1/2" Hex Washer Head (2)   |

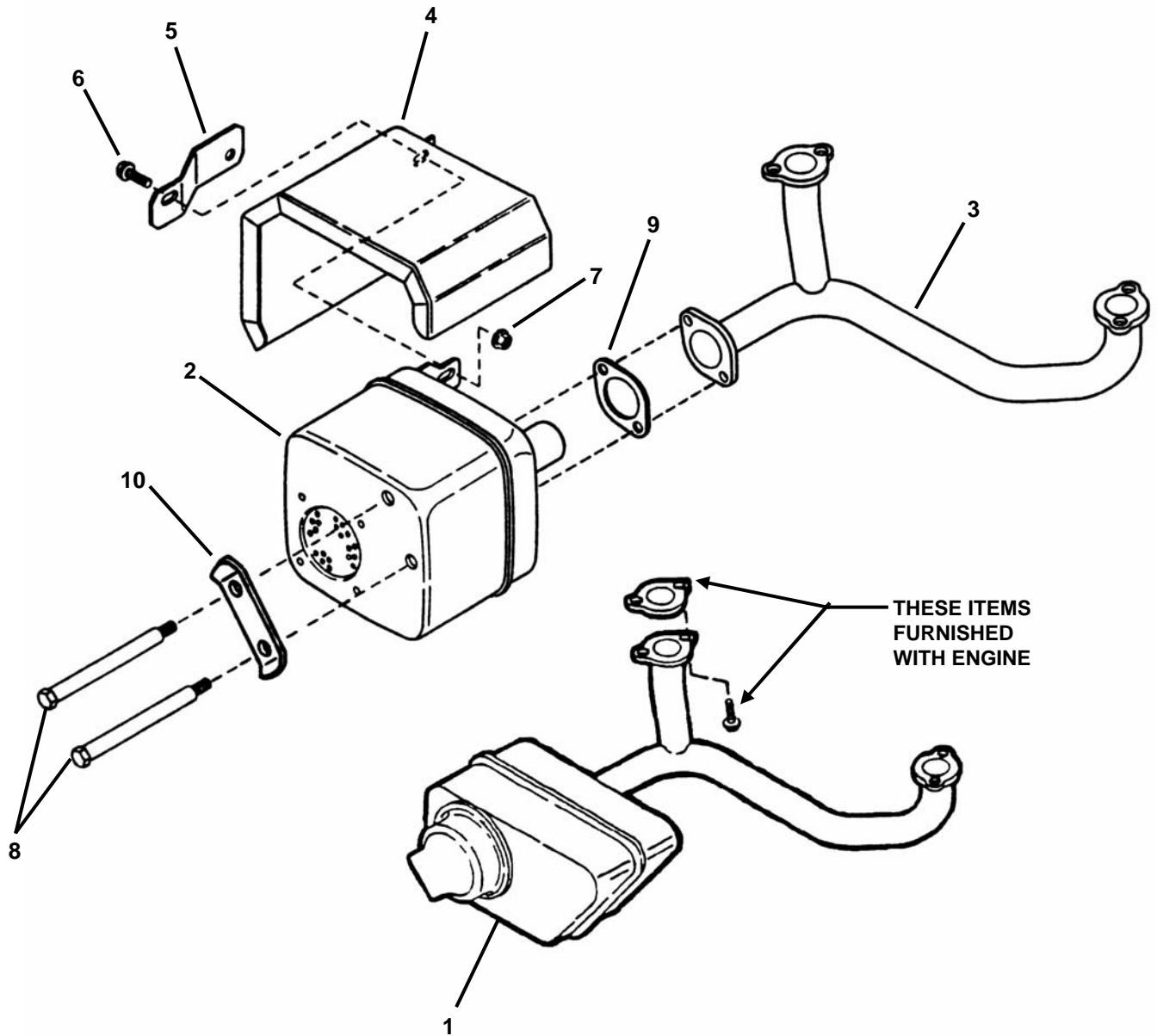
**NOTE: Items 7 and 8 are not included in this kit.**

# ACCESSORIES, BRIGGS 14, 14-1/2 & 16 HP; KOHLER 15 HP MUFFLERS



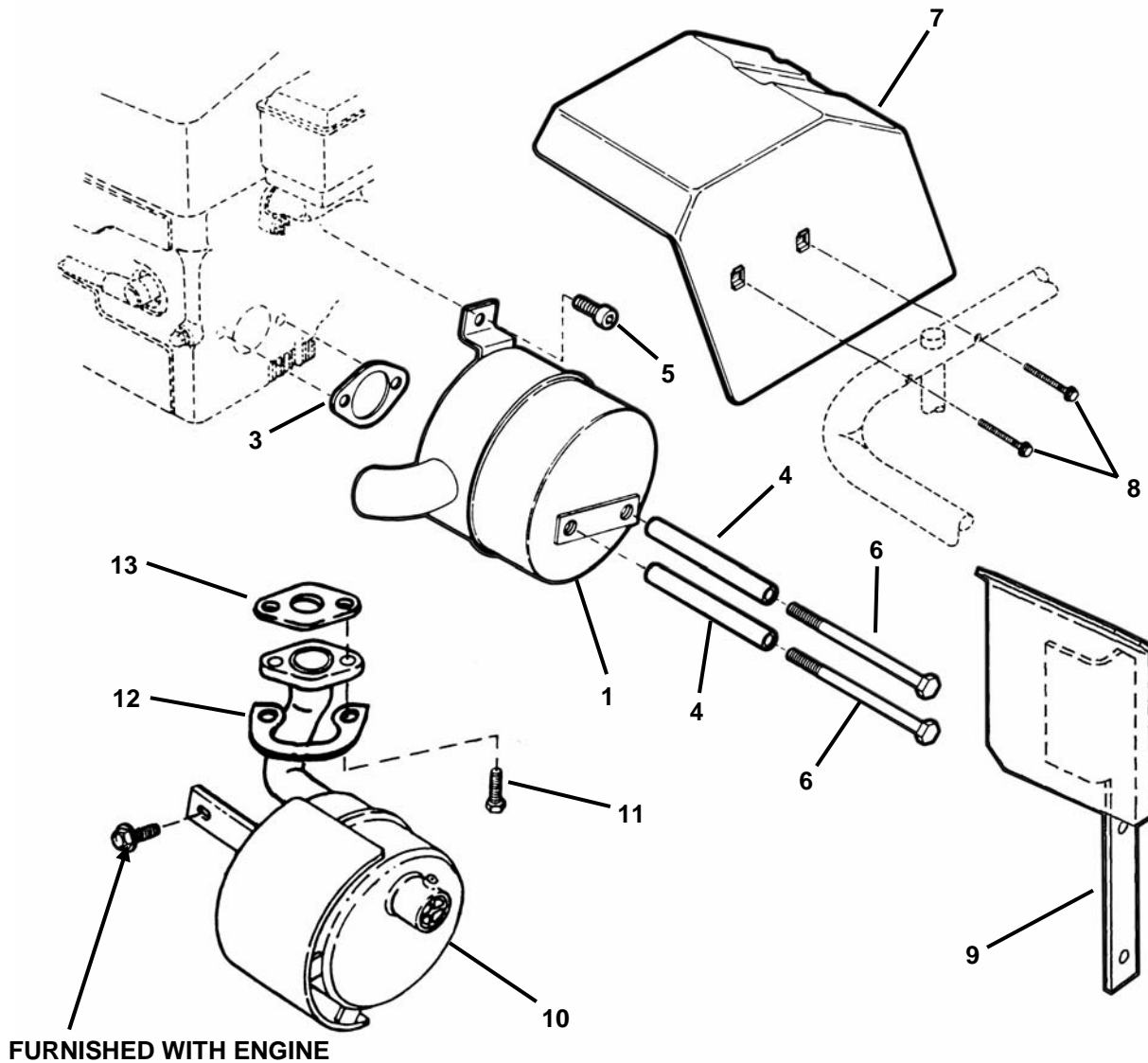
| ITEM | PART NO. | DESCRIPTION   |
|------|----------|---|
| 1    | 7-1939   | MUFFLER, 14.5HP Briggs (Hydro RER or Yard Cruiser Only)                                   |
| 2    | 7-2012   | SHIELD, Muffler (Hydro RER Only)  |
| 3    | 4-7050   | HEAT SHIELD, 14.5HP Briggs  |
| 4    | 1-5352   | GASKET, Muffler   |
| 5    | 9-1906   | SCREW, 1/4-20 x 3/4" Hex Head Flange, Grade 5 (4)   |
| 6    | 9-1924   | WASHER, 1/4" Flat x 1/16" Thick (2)   |
| 7    | 9-1738   | SCREW, 5/16-18 x 3/4" Socket Head Set (2)   |
| 8    | 9-1525   | BOLT, 5/16-18 x 1/2" Hex Flange Lock  |
| 9    | 9-1627   | WASHER, 1/4" Flat x 1/8" Thick (2)  |
| 10   | 4-6445   | MUFFLER, 14 & 16HP Briggs or 15HP Kohler (Yard Cruiser Only)<br>(Replaces Muffler 3-6405) |
| 11   | 9-0206   | SCREW, 5/16-18 x 3/4" Hex Head Cap, Grade 5 (2)   |
| 12   | 3-5894   | PIPE, Exhaust (14HP Briggs)   |
| --   | 3-6417   | PIPE, Exhaust (15HP Kohler)   |
| --   | 3-6483   | PIPE, Exhaust (16HP Briggs)   |
| 13   | 4-1537   | DEFLECTOR, Muffler  |
| 14   | 9-1581   | SCREW, #8-18 x 1/2" Hex Head Sheet Metal Screw (4)  |

## ACCESSORIES, BRIGGS 16HP MUFFLERS



| ITEM | PART NO. | DESCRIPTION                                    |
|------|----------|--|
| 1    | 2-8361   | MUFFLER, 16HP Briggs (42" RER Only)            |
| 2    | 2-4241   | MUFFLER, 16HP Briggs (41" & 42" R. E. R. Only) |
| 3    | 5-2779   | MANIFOLD, Exhaust                              |
| 4    | 3-3594   | SHIELD, Muffler                                |
| 5    | 3-3589   | BRACE, Muffler                                 |
| 6    | 9-0596   | BOLT, 1/4-20 x 5/8" Hex Flange Lock            |
| 7    | 9-0583   | NUT, 1/4-20 Hex Flange Lock                    |
| 8    | 2-4161   | BOLT, 5/16-18 (1/2") x Shoulder (2)            |
| 9    | 1-5352   | GASKET, Exhaust (1-1/4" I. D.)                 |
| --   | 1-4509   | GASKET, Exhaust (1-3/16" I.D.)                 |
| 10   | 2-4566   | LOCK, Strip                                    |

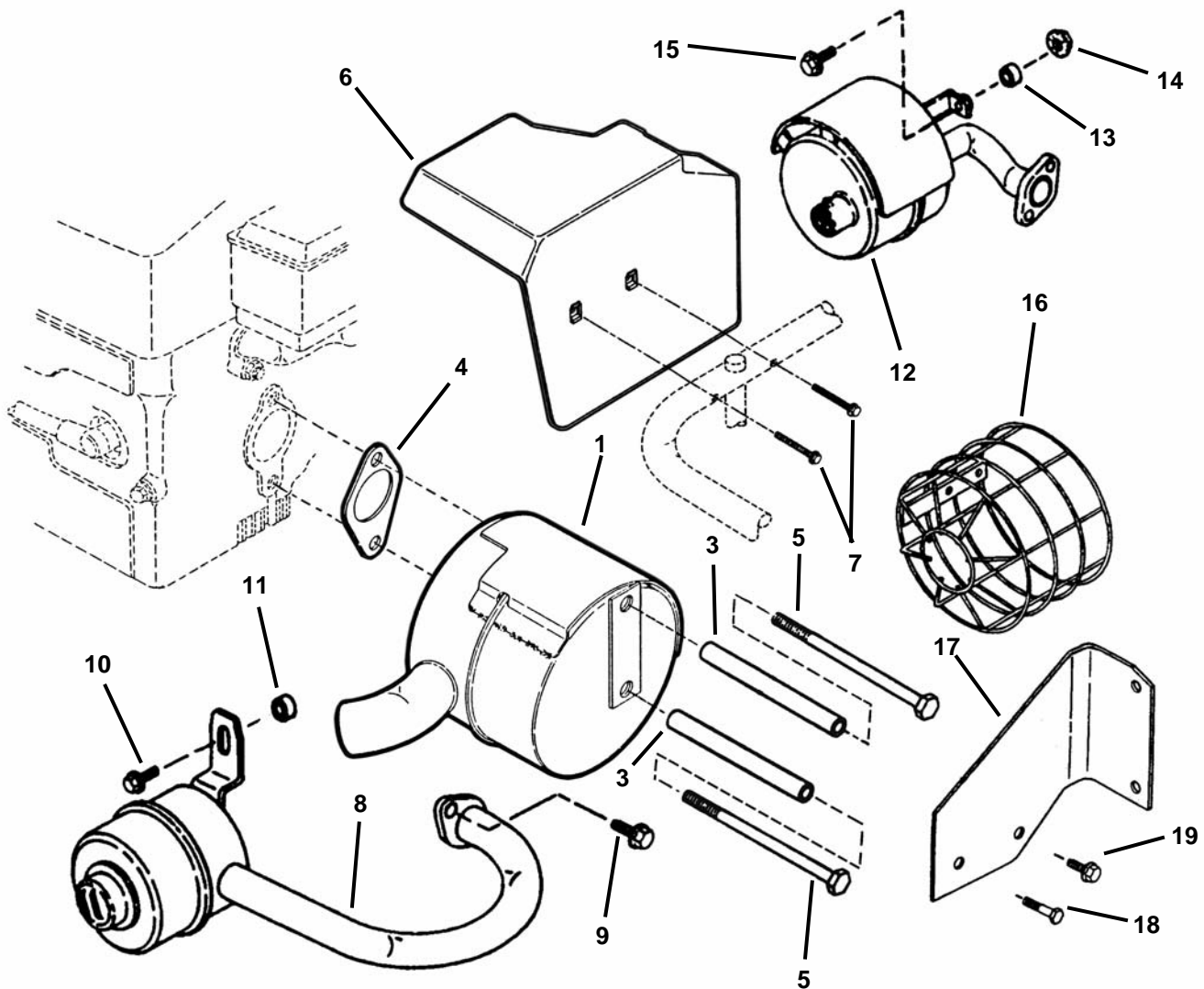
# ACCESSORIES, TECUMSEH 12 & 16 HP MUFFLERS



| ITEM | PART NO. | DESCRIPTION   |
|------|----------|---|
| --   | 6-0858   | KIT, Muffler (Includes items 1 and 2)               |
| 1    | 1-7075   | MUFFLER, 12HP Tecumseh<br>(Replaces Muffler 1-9782) |
| 2    | 6-0658   | HARDWARE BAG (Includes items 3 thru 6)              |
| 3    | 1-5352   | GASKET, Exhaust                                     |
| 4    | 1-5353   | SPACER, .312 I.D. x 3-1/2" (2)                      |
| 5    | 9-0982   | SCREW, 1/4-20 x 1/2" Socket Head Cap                |
| 6    | 9-0912   | SCREW, 5/16-18 x 4-1/4" Hex Head Cap (2)            |
| 7    | 5-7429   | ASSEMBLY, Heat Shield                               |
| 8    | 9-0922   | SCREW, #10-32 x 1-1/2" Hex Washer Head (2)          |
| 9    | 4-0730   | HEAT SHIELD   |
| 10   | 2-8671   | MUFFLER, 16HP Tecumseh                              |
| 11   | 2-7168   | SCREW, 5/16-18 x 1" Hex Head Cap, Grade 5 (2)       |
| 12   | 2-8685   | PLATE, Lock   |
| 13   | 2-8686   | GASKET, Exhaust                                     |



## ACCESSORIES, ROBIN 12 HP; KOHLER 14/15 HP MUFFLERS

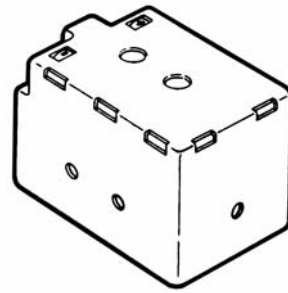


| ITEM | PART NO. | DESCRIPTION                                |
|------|----------|--|
| --   | 6-0779   | KIT, Muffler (Includes items 1 and 2)      |
| 1    | 1-9791   | MUFFLER, 12HP Wisconsin Robin              |
| 2    | 6-0780   | HARDWARE BAG (Includes items 3 Thru 5)     |
| 3    | 1-5353   | SPACER, .312 I.D. x 3-1/2" (2)             |
| 4    | 1-5556   | GASKET, Exhaust (Robin 12HP)               |
| 5    | 9-0912   | SCREW, 5/16-18 x 4-1/4" Hex Head Cap (2)   |
| 6    | 5-1647   | ASSEMBLY, Heat Shield                      |
| 7    | 9-0922   | SCREW, #10-32 x 1-1/2" Hex Washer Head (2) |
| 8    | 1-7331   | MUFFLER, 12HP Wisconsin Robin              |
| 9    | 9-0206   | SCREW, 5/16-18 x 3/4" Hex Head Cap (2)     |
| 10   | 9-0073   | SCREW, 1/4-20 x 3/4" Hex Head Cap          |
| 11   | 2-1866   | SPACER                                     |
| 12   | 1-9358   | MUFFLER, 14/15HP Kohler                    |
| 13   | 1-3849   | SPACER, .33 x .63 x .156                   |
| 14   | 9-1065   | NUT, 1/4-20 Hex Flange Lock                |
| 15   | 9-1495   | SCREW, 1/4-20 x 3/4" Hex Head Cap, Grade 5 |
| 16   | 2-4356   | GUARD, Muffler (Kohler)                    |
| 17   | 3-3564   | BRACKET, Muffler Guard (Kohler)            |
| 18   | 9-1059   | SCREW, 1/4-20 x 1" Hex Head Cap, Grade 5   |
| 19   | 9-1016   | SCREW, 1/4-20 x 5/8" Hex Head Self-Tap (2) |

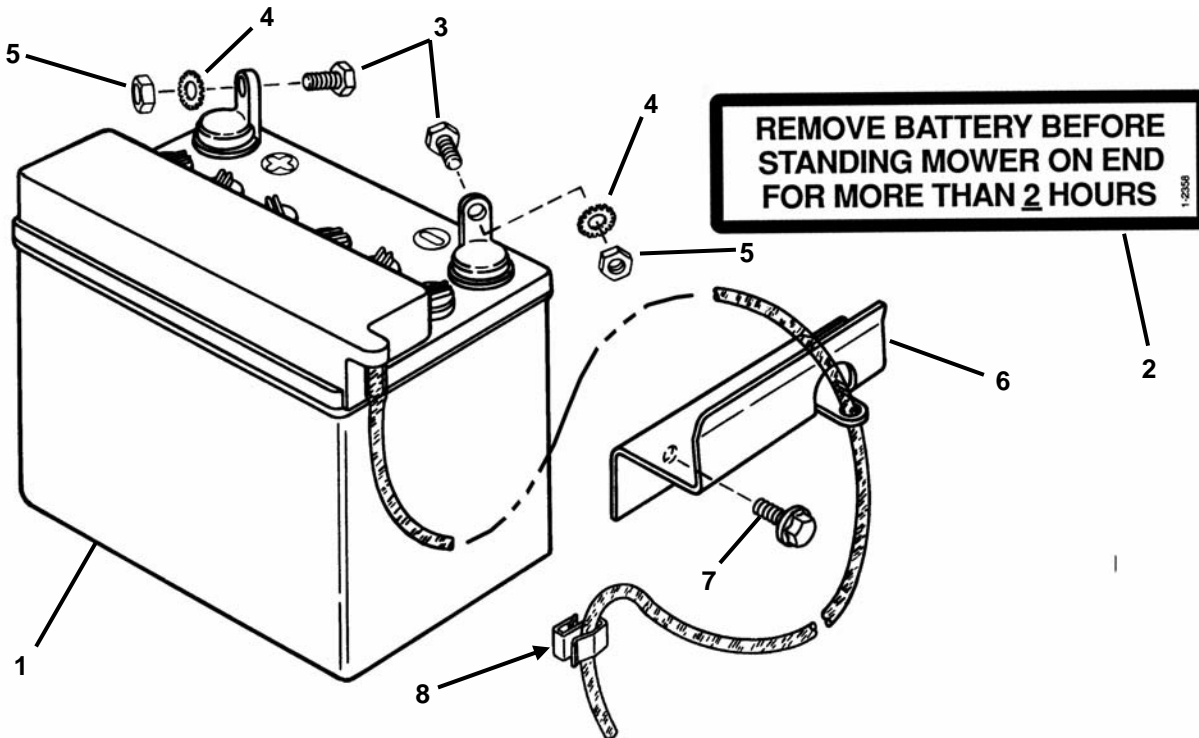
**NOTE: Items 6 Thru 19 are not included in this kit**

## ACCESSORIES, BATTERY KITS

**NOTE:** If you have a Rear Engine Rider battery which looks like the picture at right and needs replacement, please order Battery Kit Number 6-0753 and the associated fasteners and parts shown below.



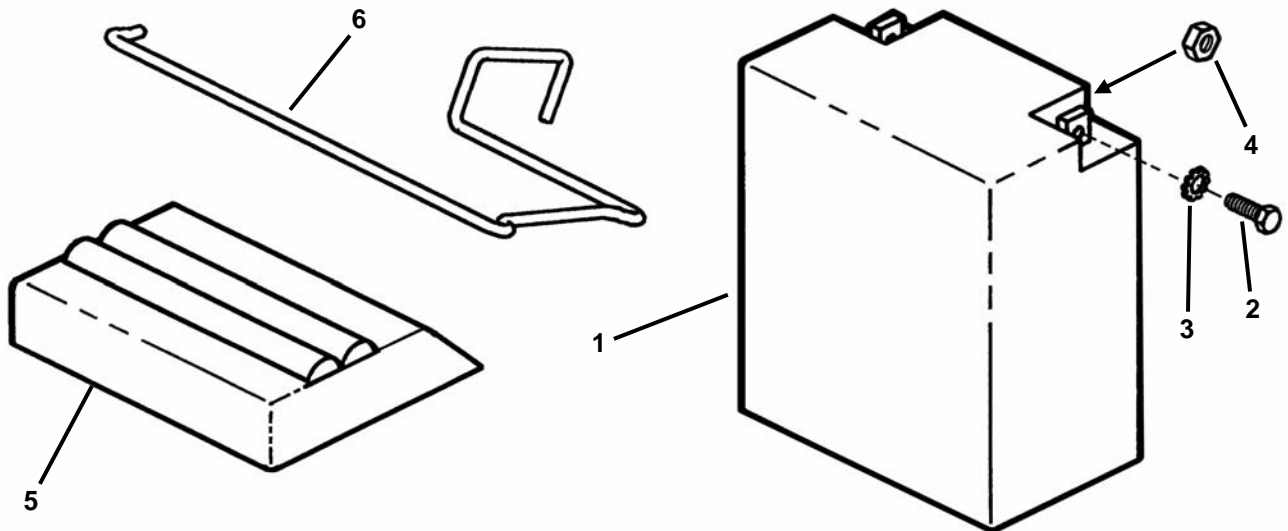
## ACCESSORIES, 12V DRY CHARGE BATTERY



| ITEM | PART NO. | DESCRIPTION                                       |
|------|----------|---|
| --   | 6-0753   | KIT, 12V Battery (Includes items 1 and 2)         |
| 1    | 3-5655   | BATTERY, No-Spill, Lead/Acid Dry Charge Type      |
| 2    | 1-2358   | DECAL, Battery                                    |
| 3    | 2-7172   | SCREW, 1/4-20 x 5/8" Hex Head Cap (2)             |
| 4    | 1-2485   | RETAINER, 1/4" Bolt (2)                           |
| 5    | 9-0372   | NUT, 1/4-20 Hex Center Lock (2)                   |
| 6    | 3-7343   | CLAMP, Battery Retaining                          |
| 7    | 9-0858   | SCREW, 5/16-18 x 1/2" Hex Washer Self-Tapping (2) |
| 8    | 1-5063   | CLAMP, Battery Hose                               |

**NOTE:** This battery fits all Rear Engine Riders.

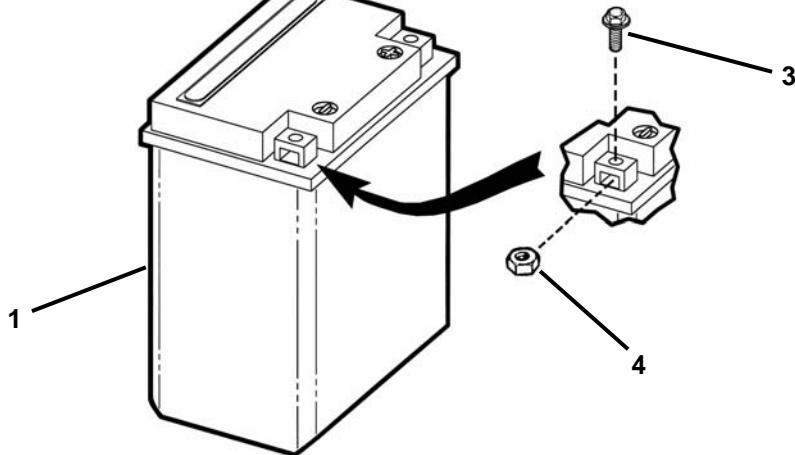
## ACCESSORIES, ZM-12 SLA BATTERY



| ITEM | PART NO. | DESCRIPTION   |
|------|----------|---|
| --   | 6-0660   | KIT, 12 VDC Battery (Includes item 1)                 |
| 1    | 1-8684   | BATTERY, Sealed Lead Acid, 6 Cell w/7 plates per cell |
| 2    | 9-0411   | SCREW, #10-24 x 1/2" Hex Head Cap (2)                 |
| 3    | 9-0601   | WASHER, #10 External Tooth Lock (2)                   |
| 4    | 1-2688   | NUT, #10-24 Hex "Whiz Lock" (2)                       |
| 5    | 1-8689   | COVER, Battery  |
| 6    | 1-9754   | CLAMP, Battery  |

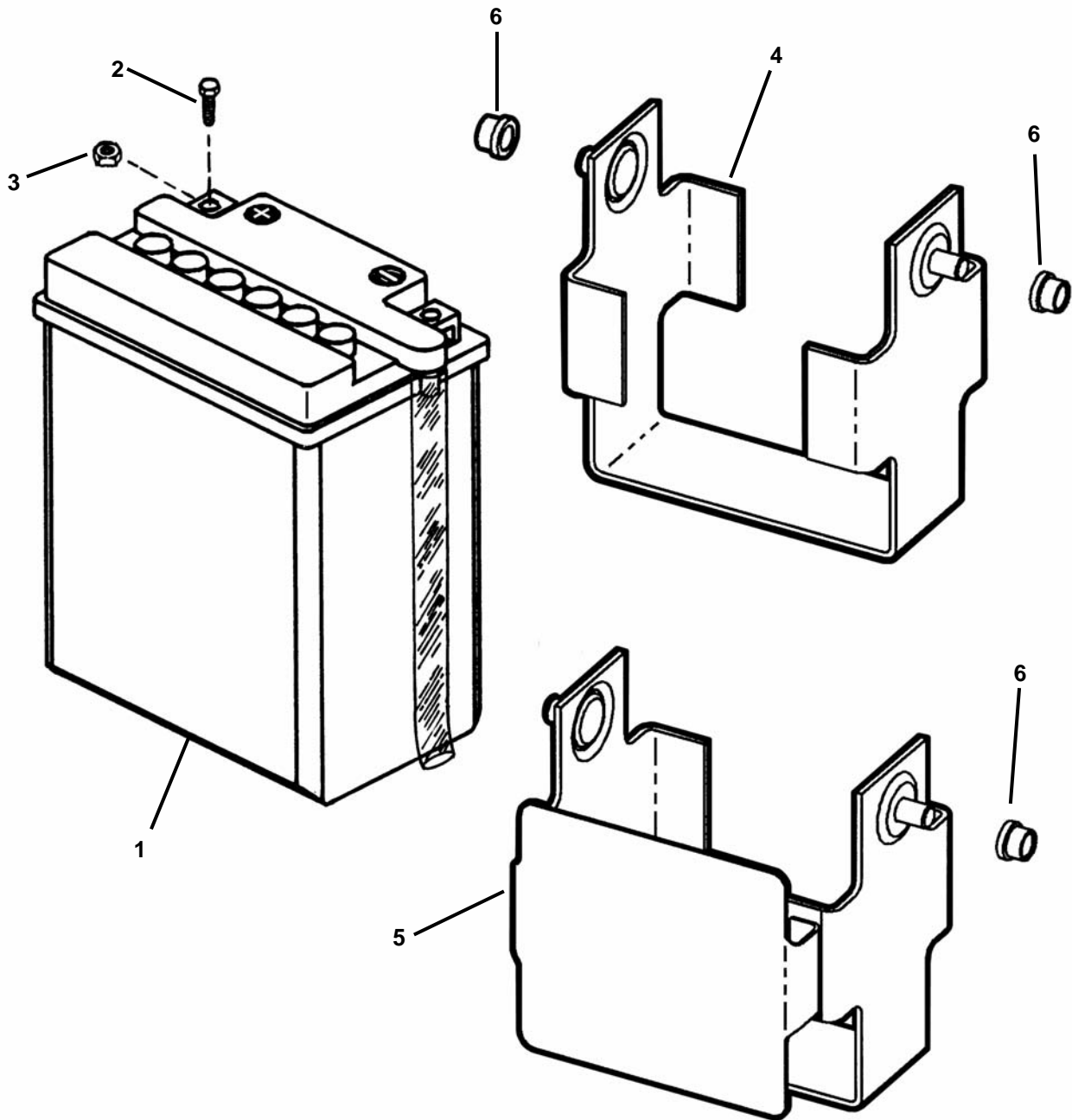
**NOTE:** Though this kit has been used on some Series 4 Rear Engine Riders, it has been obsolete and is now replaced by kit 6-0782, which is shown below.

## ACCESSORIES, 12V BATTERY



| ITEM | PART NO. | DESCRIPTION   |
|------|----------|---|
| --   | 6-0782   | KIT, 12 Battery (Includes item 1)                     |
| 1    | 1-9787   | BATTERY, 12V, 3 Amp, Type YMF-14L-2 (Yuasa P/N M321G) |
| 2    | 1-5553   | DECAL, Battery Warning (not shown)                    |
| 3    | 9-1293   | SCREW, 1/4-20 x 3/8" Hex Washer Self-Tap (2)          |
| 4    | 9-1576   | NUT, 1/4-20 Hex, Grade 5 (2)                          |

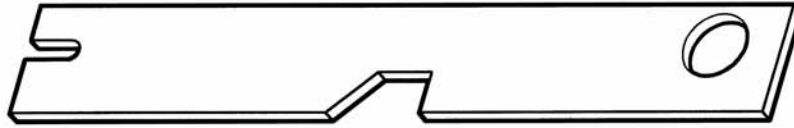
# ACCESSORIES, 12 VOLT 3 AMP BATTERY



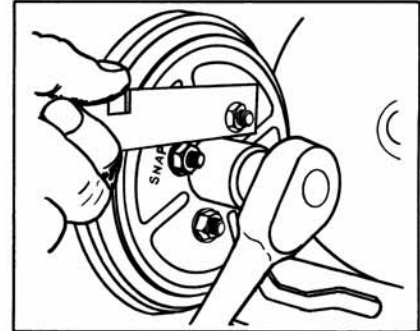
| ITEM | PART NO. | DESCRIPTION                                   |
|------|----------|---|
| 1    | 2-9130   | BATTERY, 12V, 3 Amp, Type YB14L-A2 Dry Charge |
| 2    | 9-1293   | SCREW, 1/4-20 x 3/8" Hex Washer Self-Tap (2)  |
| 3    | 9-1576   | NUT, 1/4-20 Hex, Grade 5 (2)                  |
| 4    | 4-1793   | BRACKET, Battery                              |
| 5    | 5-8238   | BRACKET, Battery (48" Deck only)              |
| 6    | 1-3321   | BUSHING (2)                                   |

**NOTE: The battery and battery brackets shown here or used on SNAPPER Yard Cruisers only.**

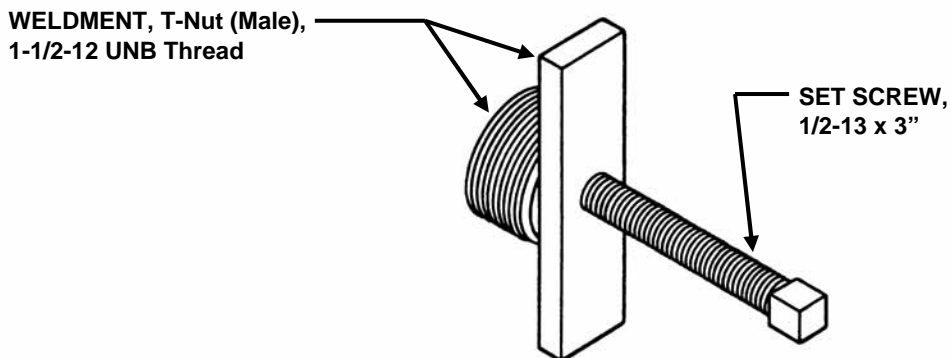
Part Number 3-2392, SMOOTH CLUTCH TOOL. See page 80, item 23.



Note: In order to remove or install a smooth clutch friction ring (See Page 80, item 3) it is necessary to prevent the smooth clutch assembly (See page 80, item 1) from rotating while the driven disc retaining nut is being turned. Holding the assembly with vice grip pliers is not recommended as this can cause warpage of the disc and a consequent roaring vibration. Instead, use the smooth clutch tool (3-2392) as shown in the picture at right.



## ALUMINUM DRIVE DISC PULLER KIT (SNAPPER #6-0325)

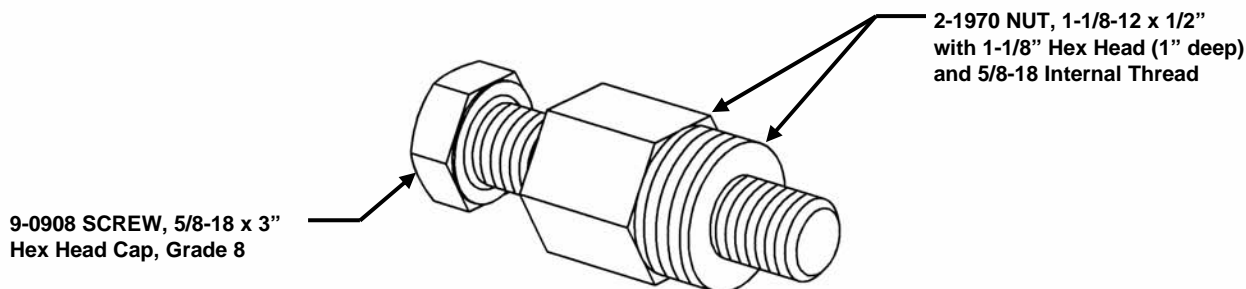


### REMOVING THE ALUMINUM DRIVE DISC:

- Step 1: Stand Rear Engine Rider on bumper. Clean threads in center hole.
- Step 2: Rotate disc until set screws are straight up.
- Step 3: Use a 3/16" allen wrench to remove the set screws from the hub.
- Step 4: Squirt some penetrating oil into set screw holes and into the large disc hole.
- Step 5: Back the set screw out until the end is flush with the end of the T-nut threads.
- Step 6: Screw the T-nut into the center hole threads of the aluminum disc and snug by lightly tapping the end of the "T" in the tightening direction.
- Step 7: Tighten puller set screw against bottom of crankshaft to pull disc off.

## ACCESSORIES, TOOLS (continued)

### STEEL DRIVE DISC PULLER KIT (SNAPPER #6-0747)



#### REMOVING THE STEEL DRIVE DISC:

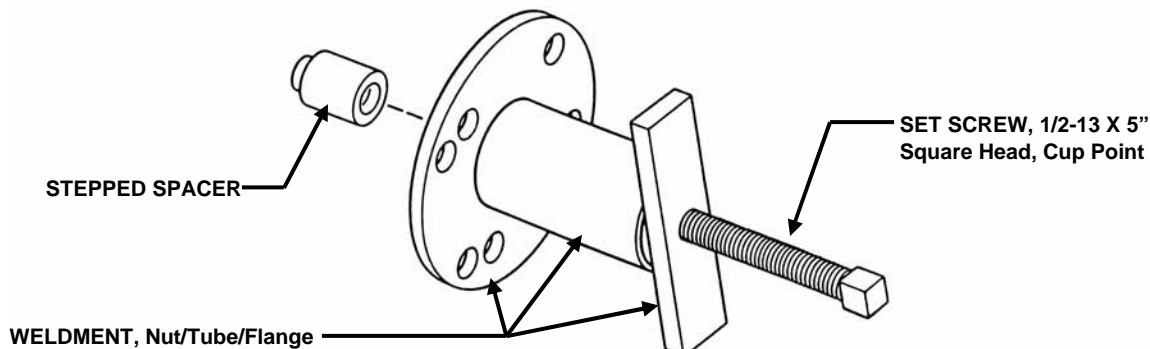
- Step 1: Stand Rear Engine Rider on bumper. Clean threads in center hole.
- Step 2: Rotate disc until set screws are straight up.
- Step 3: Use a 3/16" allen wrench to remove the set screws from the hub.
- Step 4: Squirt some penetrating oil into set screw holes and into the large disc hole.
- Step 5: Back 9-0908 screw out until the end is flush with the end of 2-1970's threads. Screw 2-1970 nut threads into the drive disc center hole and lightly snug with a 1-1/8" wrench. Hold wrench on nut while tightening the bolt with a 15/16" socket.

NOTE 1: Impact wrench may be used.

NOTE 2: Steel drive discs held to crankshaft with a 7/16" bolt can be pulled off by removing this bolt and installing a 1/2-20 bolt into the drive disc threaded hole. As the 1/2" bolt is tightened it will pull the disc off the shaft.

---

### WHEEL HUB PULLER KIT (SNAPPER #6-0327)



#### REMOVING WHEEL HUBS (both 3-hole and 4-hole):

- Step 1: Stand Rear Engine Rider on bumper or jack it up and remove tire/wheel assembly.
  - Step 2: Remove tapered axle bolt and squirt penetrating oil in the hole and at each end of hub to axle.
  - Step 3: Tap hub lightly to help penetrating oil work its way in. With triangle 3-hole hub; hit edge of triangle and try to rotate the hub on the axle to misalign the axle bolt holes.
  - Step 4: Tap axle bolt holes with hammer (Tapered bolts cause flared hole edges, rotating hub and tapping the holes flattens the flare easing removal).
  - Step 5: Back the set screw out until the end is flush with the end of the "T".
  - Step 6: Install puller onto hub, align matching hub holes, then install "all" 3 or 4 lug bolts snugly (leaving one out or not snugging increases hub flange bending). Note also that on the tubular axle you should insert the stepped spacer into the tubing for the bolt to push against before installing puller onto hub.
  - Step 7: Hold "T" while tightening puller bolt. Alternate tightening bolt, tapping hub and applying penetrating oil as necessary.
- NOTE: Sometimes the hub cannot be pulled and may be destroyed; at that point, saw the axle off and replace both hub and axle!



# Parts Manual for

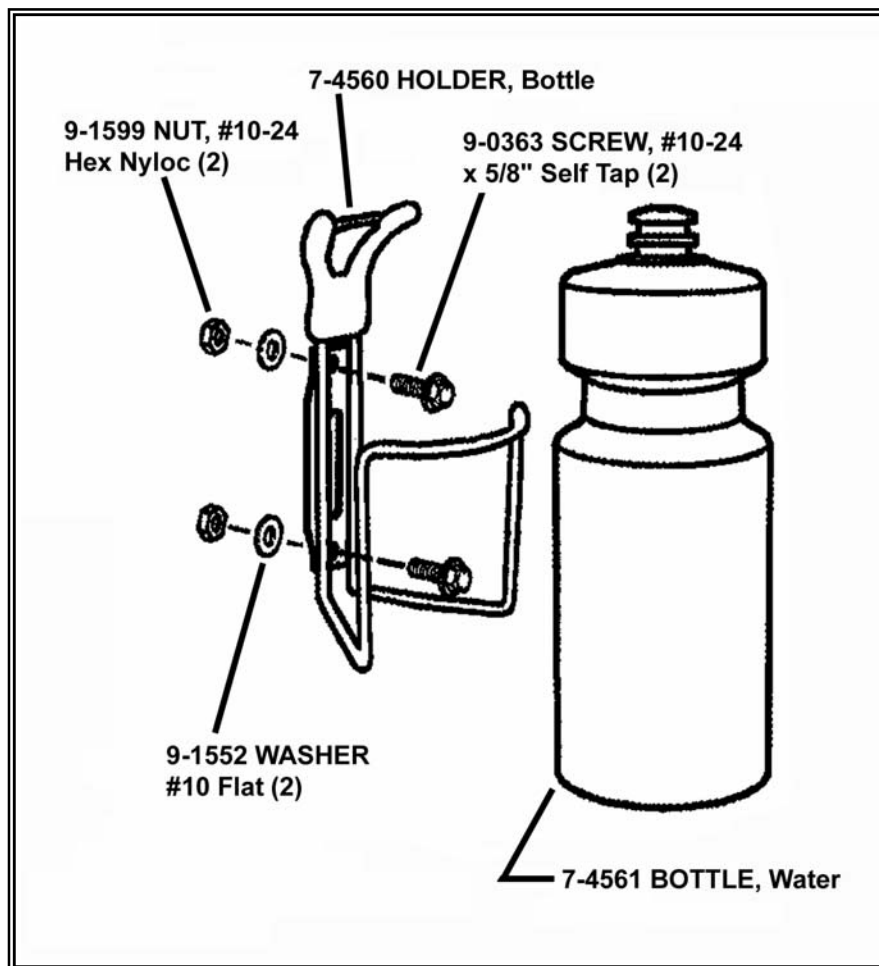
# SNAPPER®

## REAR ENGINE RIDER ACCESSORIES

DISC DRIVE  
SERIES X and 0 thru 21

HYDRO DRIVE  
SERIES 0, 1 & 2

YARD CRUISER  
SERIES 0, 1 & 2



**SNAPPER®** McDonough, GA., 30253 U.S.A.

COPYRIGHT © 2003  
SNAPPER PRODUCTS INC.  
ALL RIGHTS RESERVED

MANUAL No. 06084

(Rev. 5, 03/20/03)

Printed in U.S.A.