



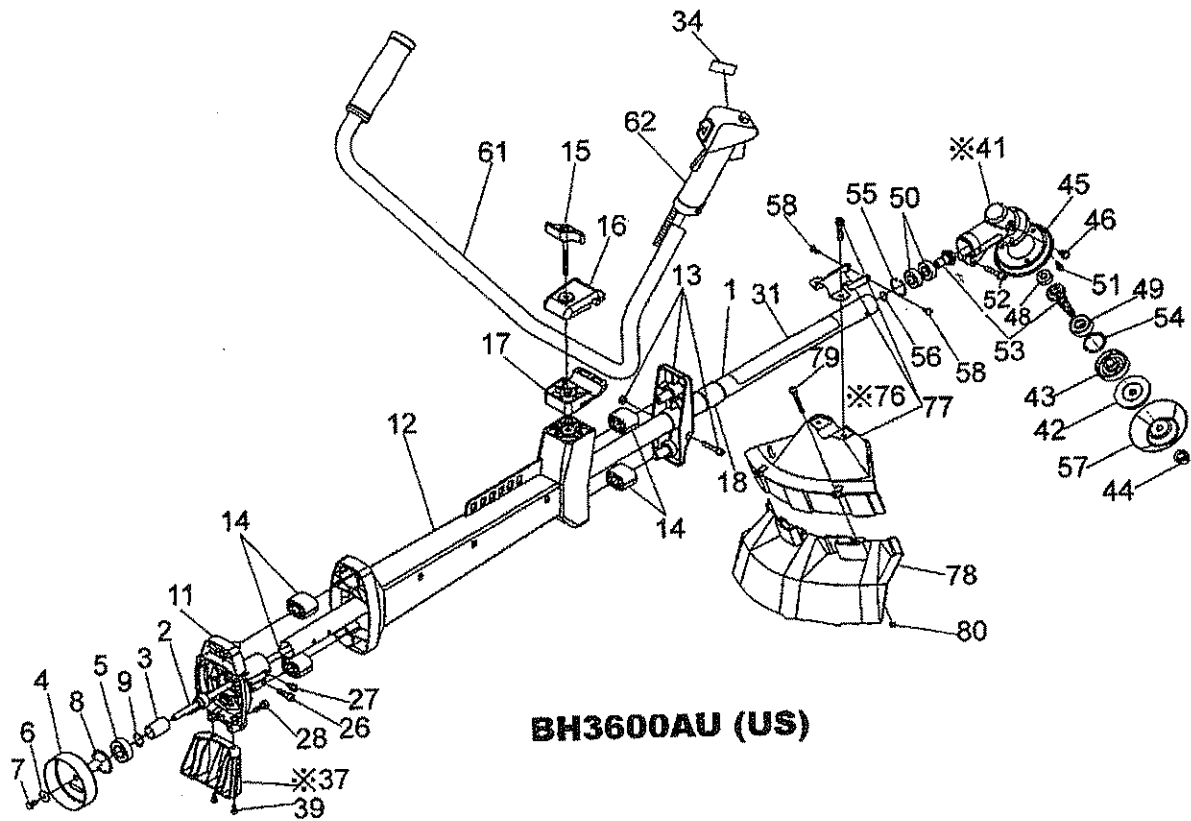
STRING TRIMMERS

MODEL BH3600AU
(U.S. SPEC.)

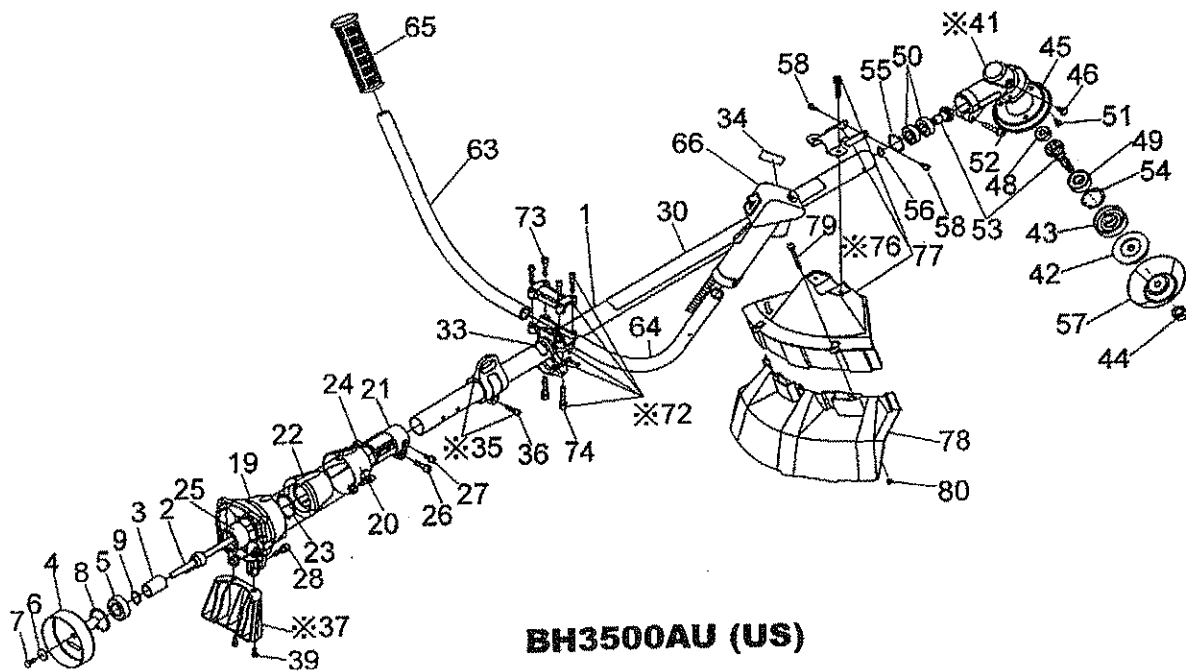
AND

MODEL BH3500AU
(U.S. SPEC.)

PARTS MANUAL



BH3600AU (US)



BH3500AU (US)

BH3500/3600 PARTS LIST

U.S. SPEC.

MACHINE BODY

KEY NO.	PART NO.	QUANTITY		DESCRIPTION	OUR PART NO.
		BH3600	BH3500		
1	6341001000	1	1	PIPE, SHAFT COMPL	10001
2	6341003000	1	1	SHAFT, COMPL	10002
3	6411008000	1	1	DAMPER	6276
4	6342002000	1	1	DRUM, CLUTCH COMPL	10003
5	0600179810	1	1	BALL BEARING (6003 DDU)	10004
6	6202500600	1	1	WASHER	7022
7	6202500400	1	1	BOLT	6279
8	0031435000	1	1	SNAPRING, INNER (ø 35)	1397
9	0031517000	1	1	SNAPRING, OUTER (ø 17)	1399
11	6341500700-1	1		CASE, CLUTCH	10005
12	6344001010	1		BRACKET, HANDLE 1	10006
13	6344001020	1		BRACKET, HANDLE 2	10007
14	6344001030	4		DAMPER	10008
15	6344001040	1		BOLT, HANDLE	10009
16	6344001050	1		HOLDER, HANDLE 1	10010
17	6344001060	1		HOLDER, HANDLE 2	10014
18	6341500800	1		SPACER	10018
19	6341500200-1		1	CASE, CLUTCH 1	10068
20	6341500300		1	CASE, CLUTCH 2	10069
21	6341500400		1	BRACKET, PIPE	10070
22	6341500500		1	DAMPER, PIPE	10071
23	0031532000		1	SNAPRING, OUTER (ø 32)	10072
24	0119059950		3	SOCKET HEAD BOLT (M5 x 18 SW)	1223
25	6341500600		1	SPACER	10073
26	0119069750	1	1	SOCKET HEAD BOLT (M6 x 22 SW)	10074
27	0119059460	1	1	SOCKET HEAD BOLT (M5 x 8 SW)	10075
28	0119069750	4	4	SOCKET HEAD BOLT (M6 x 22 SW)	10074
30	6349015010		1	LABEL, CAUTION (BH3500 AU)	10076
31	6349016010	1		LABEL, CAUTION (BH3600 AU)	10077
33	6259514700-1		1	LABEL, CAUTION	9862
34	0736259950	1	1	LABEL	5510
*35	6347001000-1		1	HANGER ASSY (Incl. 37)	10078
36	0119059720		1	SOCKET HEAD BOLT (M5 x 20)	9817
*37	5219002000	1	1	STAND SET (Incl. 39)	9841
39	0140059480	2	2	SCREW ASSY (M5 x 14 W,SW)	5498
*41	6343004000	1	1	CASE, GEAR ASSY (Incl. 42~56)	10080
42	6343004010	1	1	WASHER, CLAMP	10082

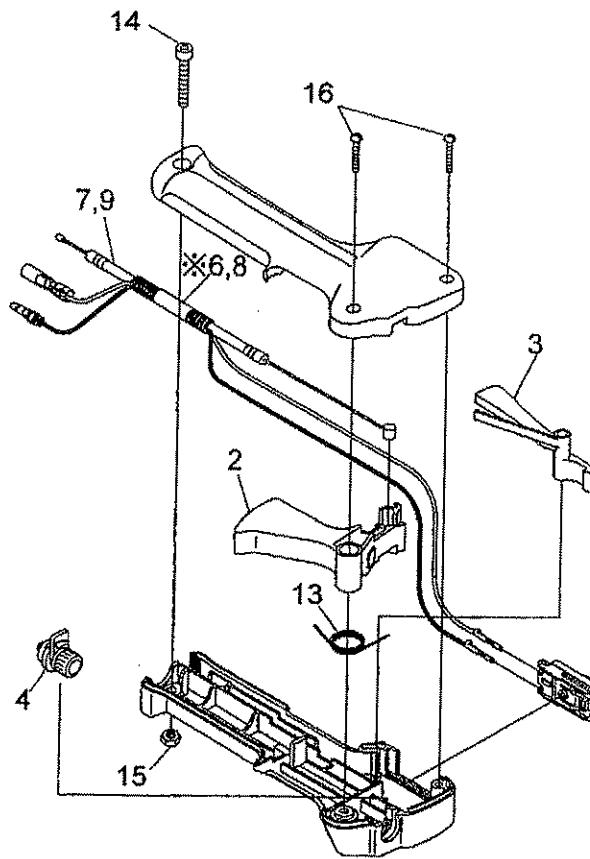
MACHINE BODY

KEY NO.	PART NO.	QUANTITY		DESCRIPTION	OUR PART NO.
		BH3600	BH3500		
43	6343004020	1	1	WASHER, RECEIVE	10083
44	6343004030	1	1	NUT (M10)	10084
45	6343004040	1	1	GUARD	10086
46	6343004050	1	1	BOLT, OIL	10089
48	6343004110	1	1	BALL BEARING (#629)	10093
49	0600129950	1	1	BALL BEARING (#6201 DDU)	8603
50	0600109940	2	2	BALL BEARING (#6000 ZZ)	10096
51	0043505100	3	3	SCREW ASSEMBLY (M5 x 10SW)	10097
52	6343004160	1	1	SOCKET HEAD BOLT (M6 x 30 W,SW)	10098
53	6343005000	1	1	SHAFT, CUTTER SET	10099
54	0031432000	1	1	SNAPRING, INNER (ø 32)	6272-1
55	0031510000	1	1	SNAPRING, OUTER (ø 10)	5359
56	0031426000	1	1	SNAPRING, INNER (ø 26)	6129
57	6343500200	1	1	CUP	10100
58	0043505120	2	2	SCREW ASSEMBLY (M5 x 12 SW)	10101
61	6344002000	1		HANDLE COMPL	10102
62	6345003001	1		CONTROL LEVER ASSY	10103
63	6274500901		1	HANDLE	10104
64	6274501200		1	HANDLE	10105
65	6414501400		1	GRIP	10106
66	6345002001		1	CONTROL LEVER ASSY	10107
*72	6344003000		1	HOLDER, HANDLE ASSY (Incl. 73,74)	10108
73	0119059840		4	SOCKET HEAD BOLT (M5 x 25 SW)	1065
74	0119069740		2	SOCKET HEAD BOLT (M6 x 30 SW)	10109
*76	6348001000	1	1	PROTECTOR ASSY (Incl. 77~80)	10110
77	6348002000	1	1	PROTECTOR ASSY	10111
78	6258053001	1	1	PROTECTOR COMPL	10112
79	0043605400	2	2	SCREW ASSEMBLY (M5 x 40 W,SW)	9810
80	0021805000	2	2	NUT (M5)	7020

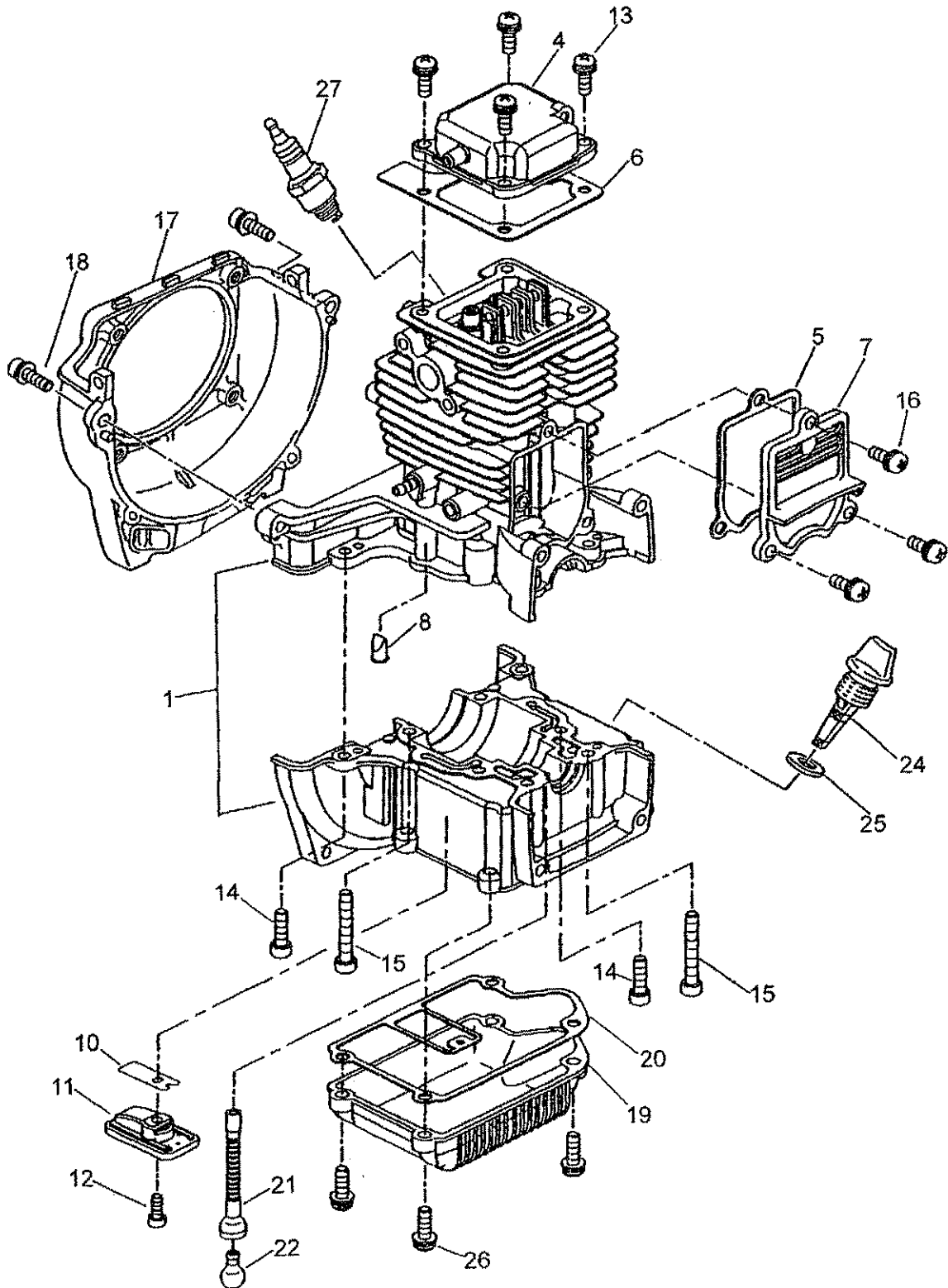
CONTROL LEVER ASS'Y

BH3500/3600 PARTS LIST

U.S. SPEC.



KEY NO.	PART NO.	QUANTITY		DESCRIPTION	OUR PART NO.
		BH3600	BH3500		
2	6215022030	1	1	LEVER	1069
3	6215023060	1	1	LEVER	9803
4	6215023050	1	1	ADJ COMPL	9804
*6	6345002010		1	WIRE SET (Incl. 7)	10113
7	6345002020		1	WIRE COMPL	10114
*8	6345003030	1		WIRE SET (Incl. 9)	10115
9	6345003040	1		WIRE COMPL	10116
13	6195006050	1	1	SPRING	9809
14	0119059980	1	1	SOCKET HEAD BOLT (M5 x30)	1071
15	6215022040	1	1	NUT (M5)	1125
16	6195006060	2	2	TAPPING SCREW (M4 x 20)	9819

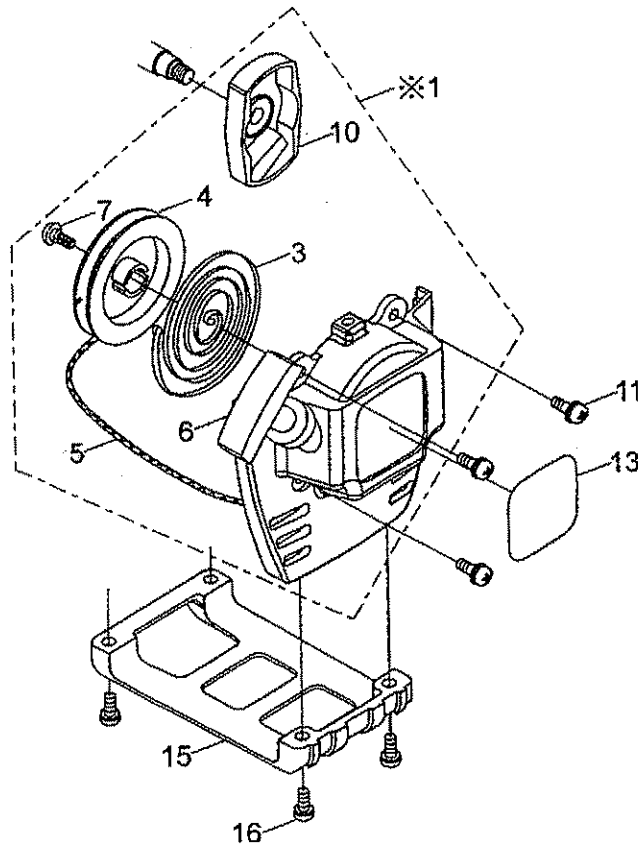


ENGINE BODY (CRANK CASE)

www.ersatzteil-service.de

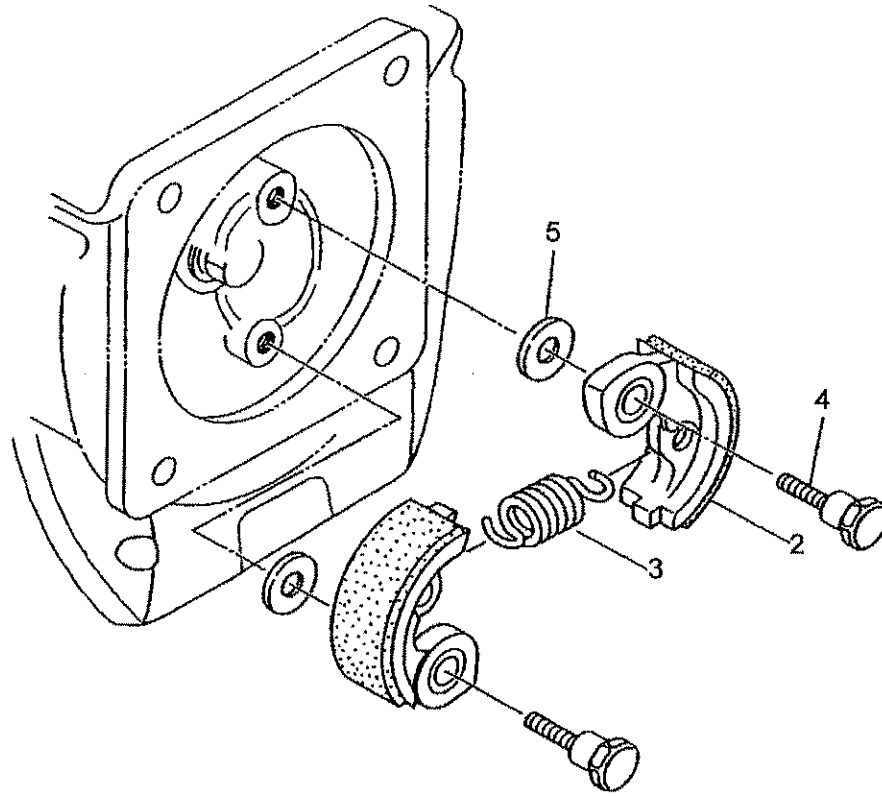
KEY NO.	PART NO.	QUANTITY		DESCRIPTION	OUR PART NO.
		BH3600	BH3500		
1	5931005000-1	1	1	CYLINDER BLOCK SET	10117
4	5931004000	1	1	ROCKET COVER COMPL	10118
5	5921500700	1	1	GASKET, COVER CAMGEAR	9824
6	5931500800	1	1	GASKET, ROCKER COVER	10119
7	5921500502	1	1	COVER, CAMGEAR	9822
8	5921501800	2	2	CHECK VALVE	10120
10	5921501000	1	1	LEAD VALVE	9826
11	5921501100	1	1	RETAINER PLATE	9827
12	0119049960	1	1	SOCKET HEAD BOLT (M4 x 10)	10121
13	0043605160	4	4	SCREW ASSEMBLY (M5x16 W,SW)	9981
14	0119059470	4	4	SOCKET HEAD BOLT (M5x 16)	10122
15	0119059860	4	4	SOCKET HEAD BOLT (M5 x 33)	6126
16	0043605140	3	3	SCREW ASSEMBLY (M5 x 14 W,SW)	5416
17	5935500200	1	1	HOUSING, BLOWER	10123
18	0119059531	4	4	SOCKET HEAD BOLT (M5x 16 W,SW)	10124
19	5936500000	1	1	CASE, OIL	10125
20	5936500100	1	1	GASKET,CASE	10126
21	5926500200-1	1	1	TUBE, OIL	9831
22	5926500300	1	1	WEIGHT ,OIL	9832
	5926015000				
24	5926500600	1	1	OIL GAUGE	9833
25	0213169990	1	1	GASKET	10127
26	0043605180	4	4	SCREW ASSEMBLY (M5x18 W,SW)	1707
27	0650109950	1	1	PLUG, SPARK (CMR6A)	9835

COVER STARTER ASS'Y



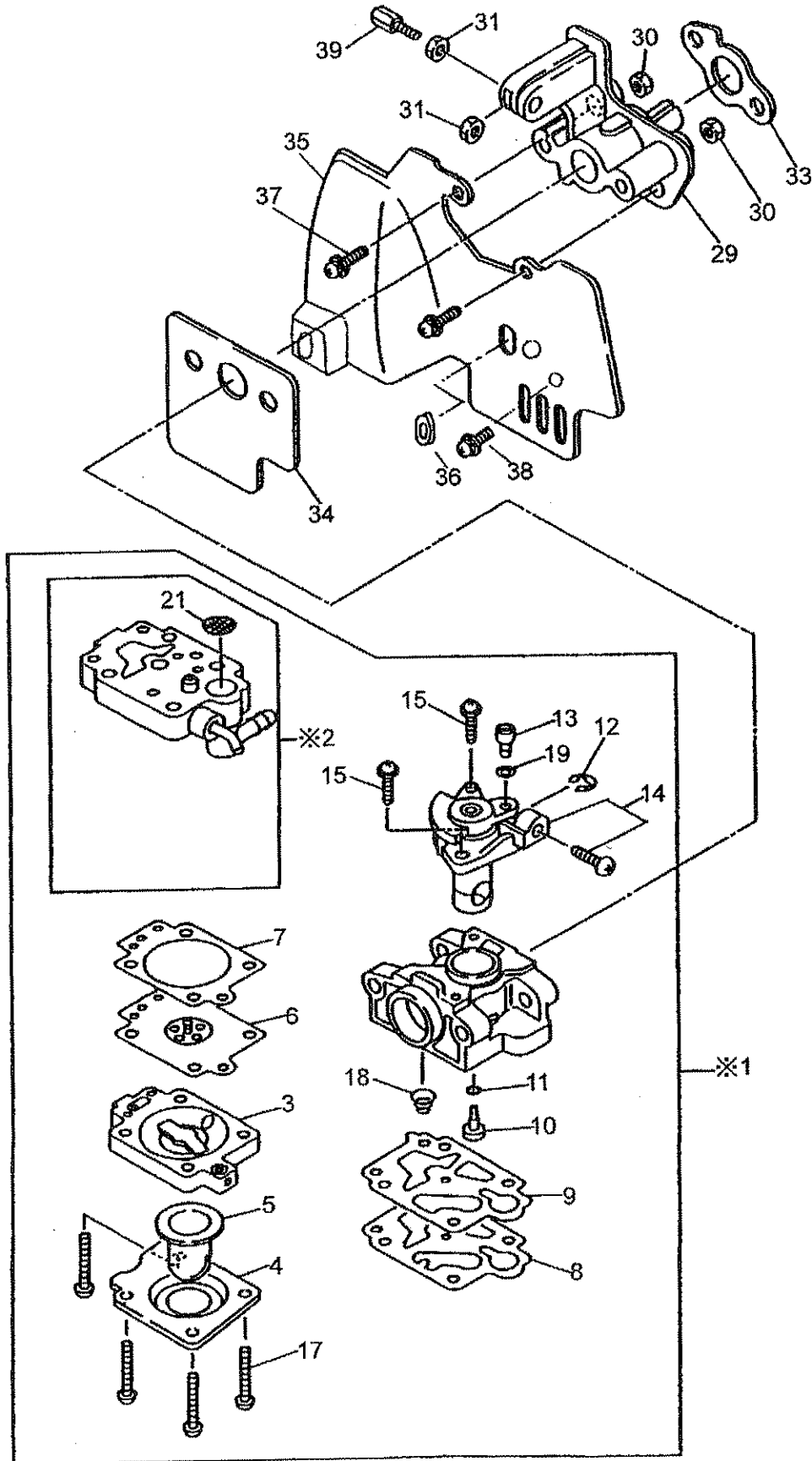
KEY NO.	PART NO.	QUANTITY		DESCRIPTION	OUR PART NO.
		BH3600	BH3500		
*1	5935001000	1	1	COVER STARTER ASSY (Incl. 3~10)	10128
3	5025001020	1	1	SPIRAL SPRING	6543
4	5315022020	1	1	REEL	10129
5	5315022040	1	1	STARTER ROPE	10130
6	5215002110	1	1	STARTER KNOB	7037
7	5425003010	1	1	SET SCREW	5376
10	5315023000	1	1	PULLEY	10131
11	0140059480	4	4	SCREW ASSY (M5 x14 W,SW)	5498
13	6349500000		1	LABEL,MODEL (BH3500)	10132
	6349500100	1		LABEL,MODEL(BH3600)	10133
15	6345001000	1	1	GUARD, TANK COMPL	10134
16	0140059480	4	4	SCREW ASSY (M5x 14 W,SW)	5498

ENGINE BODY (CLUTCH)



KEY NO.	PART NO.	QUANTITY		DESCRIPTION	OUR PART NO.
		BH3600	BH3500		
2	5318003010	2	2	SHOE, CLUTCH	10135
3	5318003020	1	1	SPRING, CLUTCH	10136
4	5938500000	2	2	BOLT, CLUTCH	10137
5	0200089800	2	2	WASHER	10138

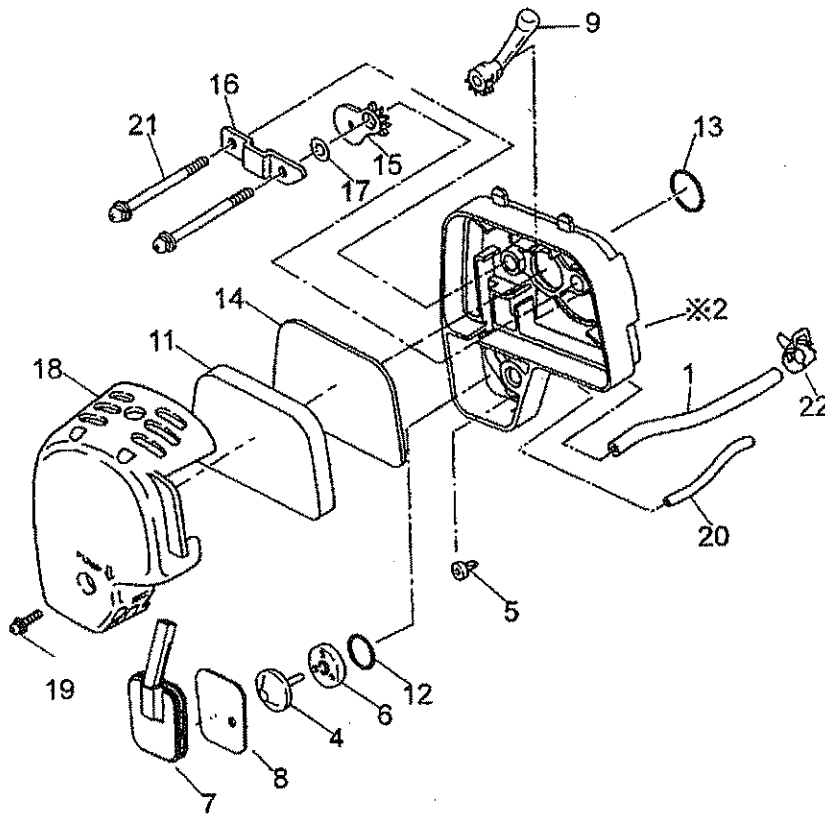
ENGINE BODY (CARBURETOR)



ENGINE BODY (CARBURETOR)

KEY NO.	PART NO.	QUANTITY		DESCRIPTION	OUR PART NO.
		BH3600	BH3500		
*1	5936004000	1	1	CARBURETOR, (Incl. *2~19)	10139
*2	5926002060	1	1	BODY ASSEMBLY-PUMP (Incl. 21)	9880
3	5236046140	1	1	BODY ASSEMBLY-AIR PURGE	10140
4	5236046050	1	1	COVER-PRIMER PUMP	6790
5	5246001150	1	1	PUMP-PRIMER	6504
6	5926008010	1	1	DIAPHRAGM ASSY-METERING	3171
7	5236046040	1	1	GASKET-METERING DIAPHRAGM	9882
8	5246001040	1	1	DIAPHRAGM-PUMP	6499
9	5926002040	1	1	GASKET-PUMP	9883
10	5936002010	1	1	JET (#39.0)	10141
11	5246001010	1	1	RING-"0"	6510
12	5316005120	1	1	RING-SPRING RETAINING	6511
13	5236018040	1	1	SWIVEL	5418
14	5936002020	1	1	VALVE ASSEMBLY-THROTTLE	10142
15	5206008030	2	2	SCREW-THROTTLE COLLAR	5419
17	5236046010	4	4	SCREW-PUMP COVER	5602
18	5926002020	1	1	SPRING-PUMP	10143
19	5426005030	1	1	WASHER	6796
21	5016004010	1	1	SCREEN-INLET	6508
29	59230005001	1	1	INSULATOR COMPL (Incl.30, 31)	9877
30	0170059980	2	2	NUT (M5)	9938
31	0022706000	2	2	NUT (M6)	9939
33	5923501801	1	1	GASKET, INSULATOR	9887
34	5923501900	1	1	GASKET, CARBURETOR	9888
35	5933500600	1	1	INSULATOR, CARBURETOR	10144
36	5257500300	1	1	GROMMET	9966
37	0043605180	2	2	SCREW ASSEMBLY (M5 x18 W,SW)	1707
38	0043605100	1	1	SCREW ASSEMBLY (M5 x10 W,SW)	9948
39	0149069960	1	1	SCREW CABLE ADJ	10145

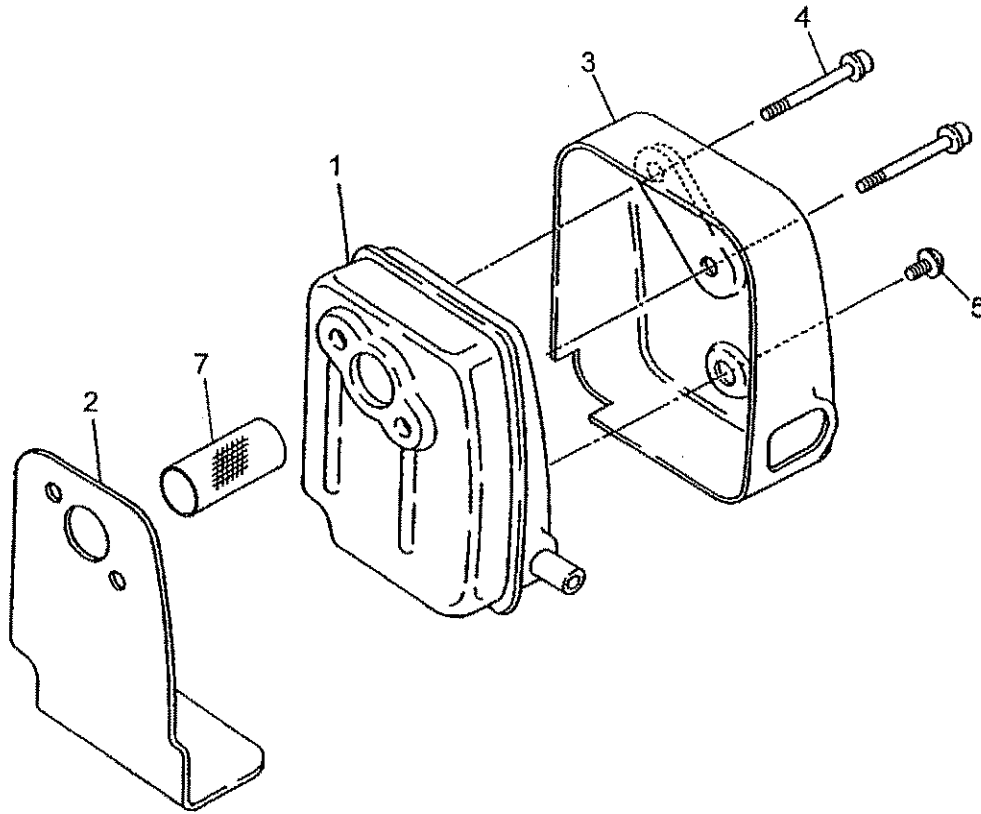
CLEANER PLATE ASS'Y



KEY NO.	PART NO.	QUANTITY		DESCRIPTION	OUR PART NO.
		BH3600	BH3500		
1	5931500900	1	1	PIPE, BREATHER (ø 8.5 x ø 4.5 x 160L)	10146
*2	5933001000	1	1	PLATE, CLEANER ASSY (Incl. 4~9, 12,13)	10147
4	5316500701	1	1	CHECK VALVE	9915
5	5923502400	1	1	CHECK VALVE (1) (VA3143)	9916
6	5923502500	1	1	PLATE, CHECK VALVE	9917
7	5933501600	1	1	PLATE, SEPALATOR	10148
8	5923503500	1	1	GASKET, SEPALATOR	10149
9	5923502200-1	1	1	LEVER, CHOKE	9919
11	5933501200-1	1	1	ELEMENT, AIR CLEANER	10150
12	0240139970	1	1	O RING (P14)	9921
13	0240159990	1	1	O RING (P15)	9922
14	5933500900	1	1	ELEMENT, AIR CLEANER	10151
15	5923502301	1	1	PLATE, CHOKE	9923
16	5923502600	1	1	PLATE	9924
17	0213069990	1	1	GASKET	6520
18	5933500800	1	1	COVER, AIR CLEANER	10152
19	0140059480	1	1	SCREW ASSY (M5 x 14 W,SW)	5498
20	5923503001	1	1	PIPE (ø7 x ø3 x 60L)	9926
21	5923503100	2	2	SCREW (M5 x 68 W,SW (SUS))	9974
22	0561080010	1	1	HOSE CLAMP	9928

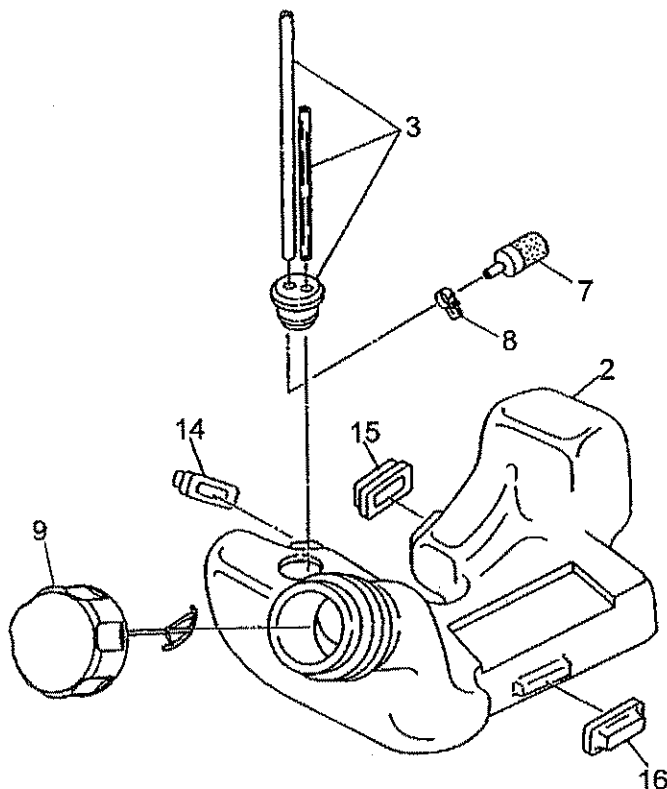
ENGINE BODY (MUFFLER)

www.ersatzteil-service.de



KEY NO.	PART NO.	QUANTITY		DESCRIPTION	OUR PART NO.
		BH3600	BH3500		
1	5923001000	1	1	MUFFLER, EXHAUST	9930
2	5923501601	1	1	GASKET, MUFFLER	9929
3	5923503400	1	1	COVER, MUFFLER	9931
4	0119059520	2	2	SOCKET HEAD BOLT (M5x40 W)	9932
5	0140059962	1	1	SCREW (M5 x5)	4739
7	5923008010	1	1	SPARK ARRESTER	10153

FUEL TANK



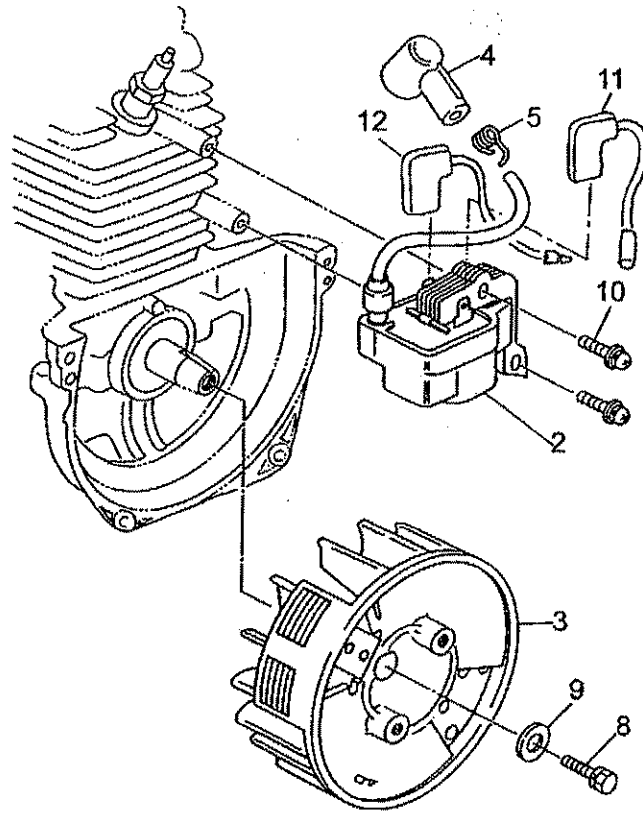
KEY NO.	PART NO.	QUANTITY		DESCRIPTION	OUR PART NO.
		BH3600	BH3500		
2	5936500200	1	1	TANK, FUEL	10154
3	5936003000	1	1	TUBE	10155
7	5236503900	1	1	FILTER	3112
8	0561059990	1	1	HOSE, CLAMP	3114
9	5926013000	1	1	CAP, FUEL TANK ASSY	10156
14	5036500200-1	1	1	PLATE	6161
15	5036500300-1	1	1	PLATE	6162
16	5196500301	1	1	DAMPER	9956

BH3500/3600 PARTS LIST

www.ersatzteil-service.de

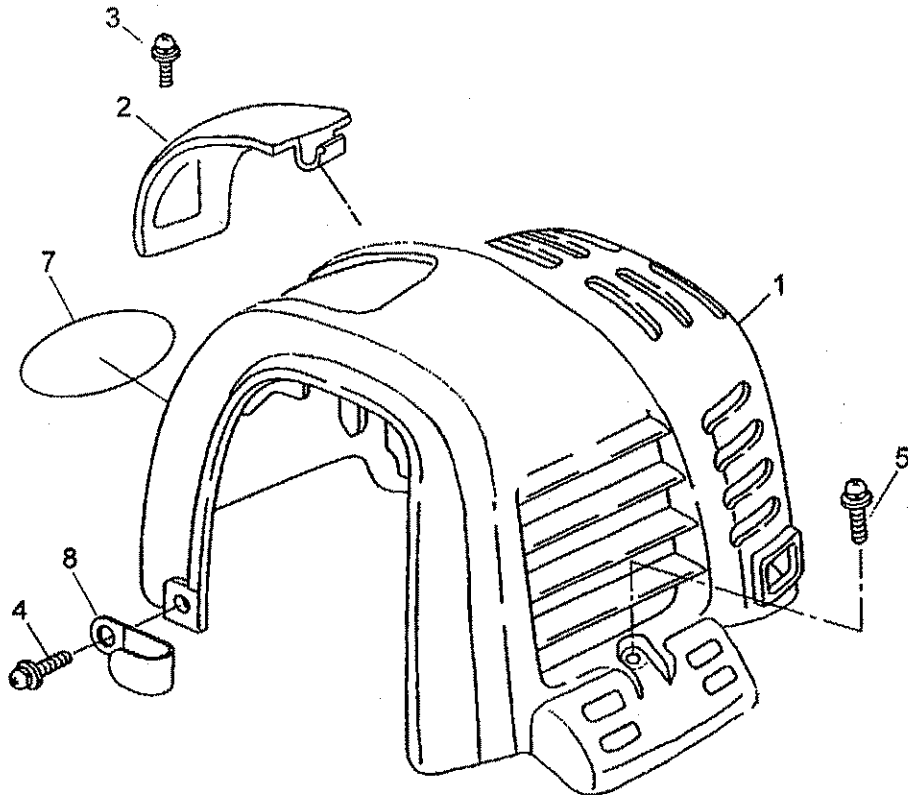
ENGINE BODY (FLYWHEEL)

U.S. SPEC.



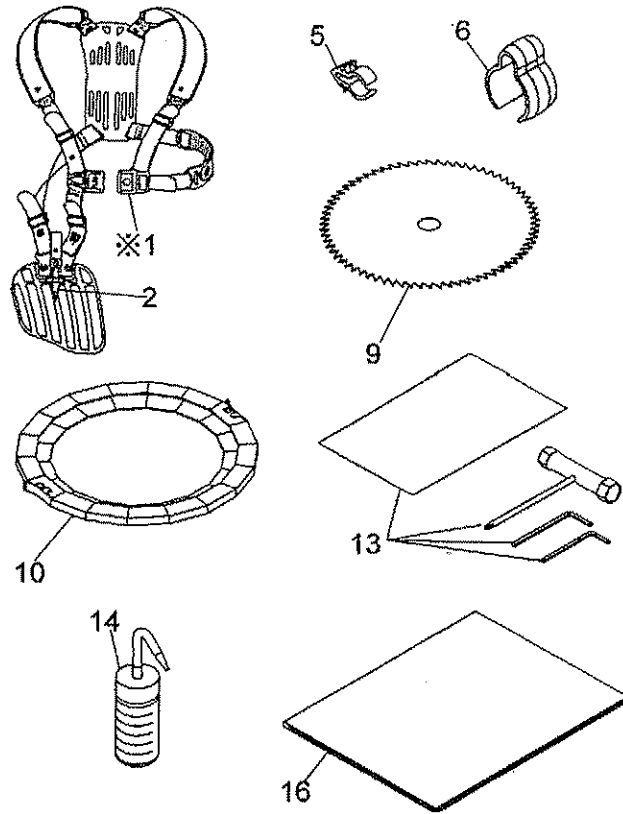
KEY NO.	PART NO.	QUANTITY		DESCRIPTION	OUR PART NO.
		BH3600	BH3500		
2	5937001010	1	1	IGNITION COIL	10157
3	5937001020	1	1	FLYWHEEL CP	10158
4	5927500100	1	1	CAP, PLUG	9963
5	0654009931	1	1	SPRING, PLUG CAP	6169
8	0011306160	1	1	BOLT ASSEMBLY (M6 x 16 SW)	6190
9	0031206000	1	1	WASHER	1395
10	0140049920		2	SCREW (M4 x 20 W,SW)	5351
	0119049970	2		SOCKET HEAD BOLT (M4 x 20 W,SW)	10159
11	5257018001-2	1	1	WIRE COMPL	10160
12	5927003000	1	1	WIRE COMPL	9964

CYLINDER COVER



KEY NO.	PART NO.	QUANTITY		DESCRIPTION	OUR PART NO.
		BH3600	BH3500		
1	5935500300	1	1	COVER, CYLINDER	10161
2	5935500500	1	1	COVER, PLUG	10162
3	0140059920	1	1	SCREW (M5 x 8)	6677
4	0043605120	2	2	SCREW ASSEMBLY (M5 x 12 W,SW)	6524
5	0140059480	1	1	SCREW ASSY (M5 x 14 W,SW)	5498
7	5929500100		1	LABEL, TRADE MARK	10163
8	0566059980	1	1	CLAMP	9959

STANDARD ACCESSORY



KEY NO.	PART NO.	QUANTITY		DESCRIPTION	OUR PART NO.
		BH3600	BH3500		
*1	6347003000	1	1	BAND ASSY (Incl. 2)	10164
2	6347004000	1	1	HOOK	10165
5	6344001110	3		CLAMP, WIRE	10166
6	6351500700		2	CLAMP, WIRE	1378
9	6408501801-1	1	1	CUTTER (255 x 70)	1300
10	6418500701	1	1	COVER, CUTTER	1301
13	6349007000	1	1	TOOL	10167
14	0722105000	1	1	BOTTLE, OIL	8605
16	6349502800	1	1	INSTRUCTION MANUAL	10168

Carswell Import & Marketing Associates, Inc. / Carswell Distributing Company
3750 N. Liberty Street, P.O. Box 4193
WINSTON-SALEM, NORTH CAROLINA 27115-4193

Specifications subject to change without notice.

[Ihr Ersatzteil-Partner](#)