

Robin

Brush Cutter

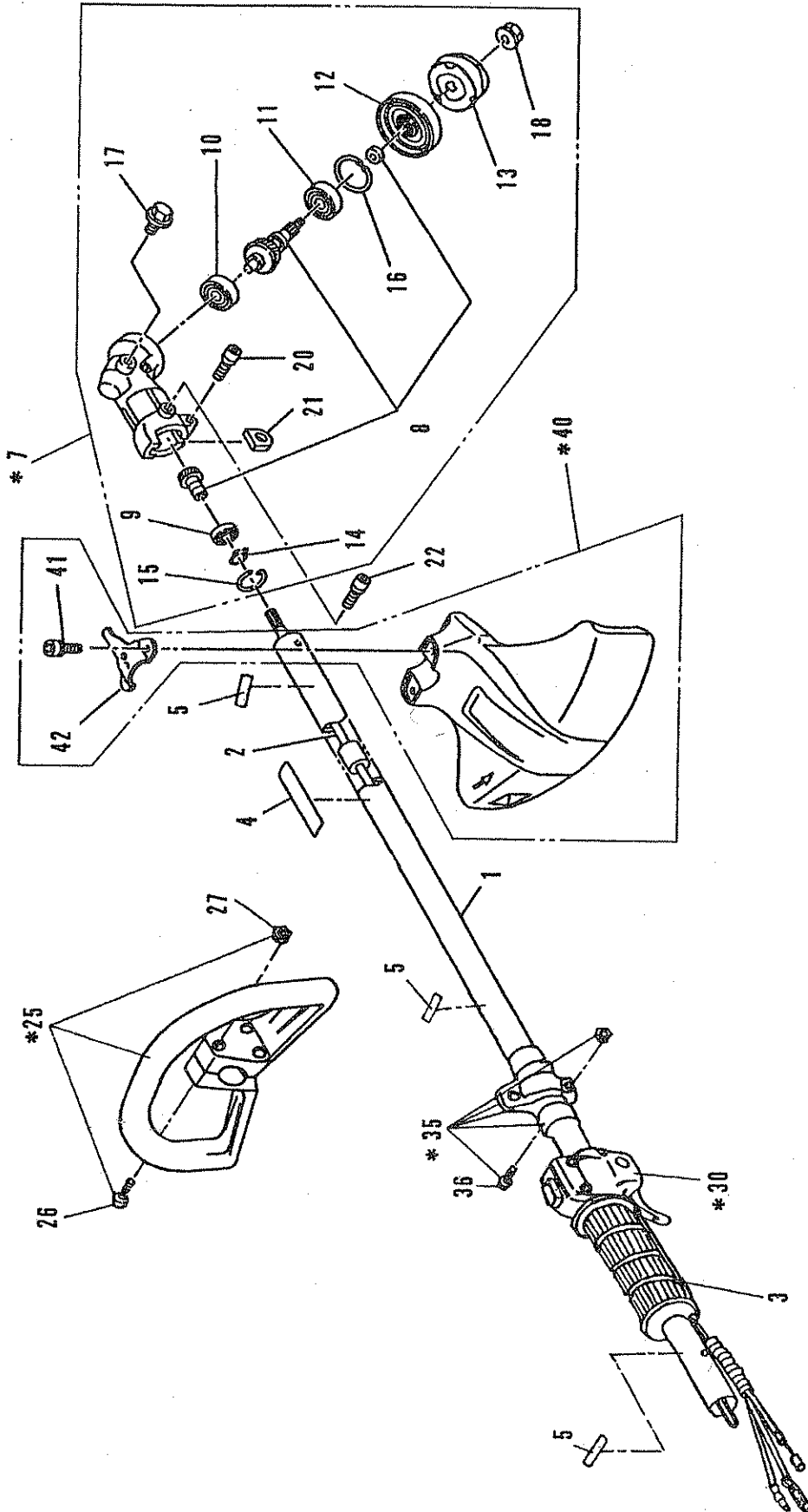
NB2050 A

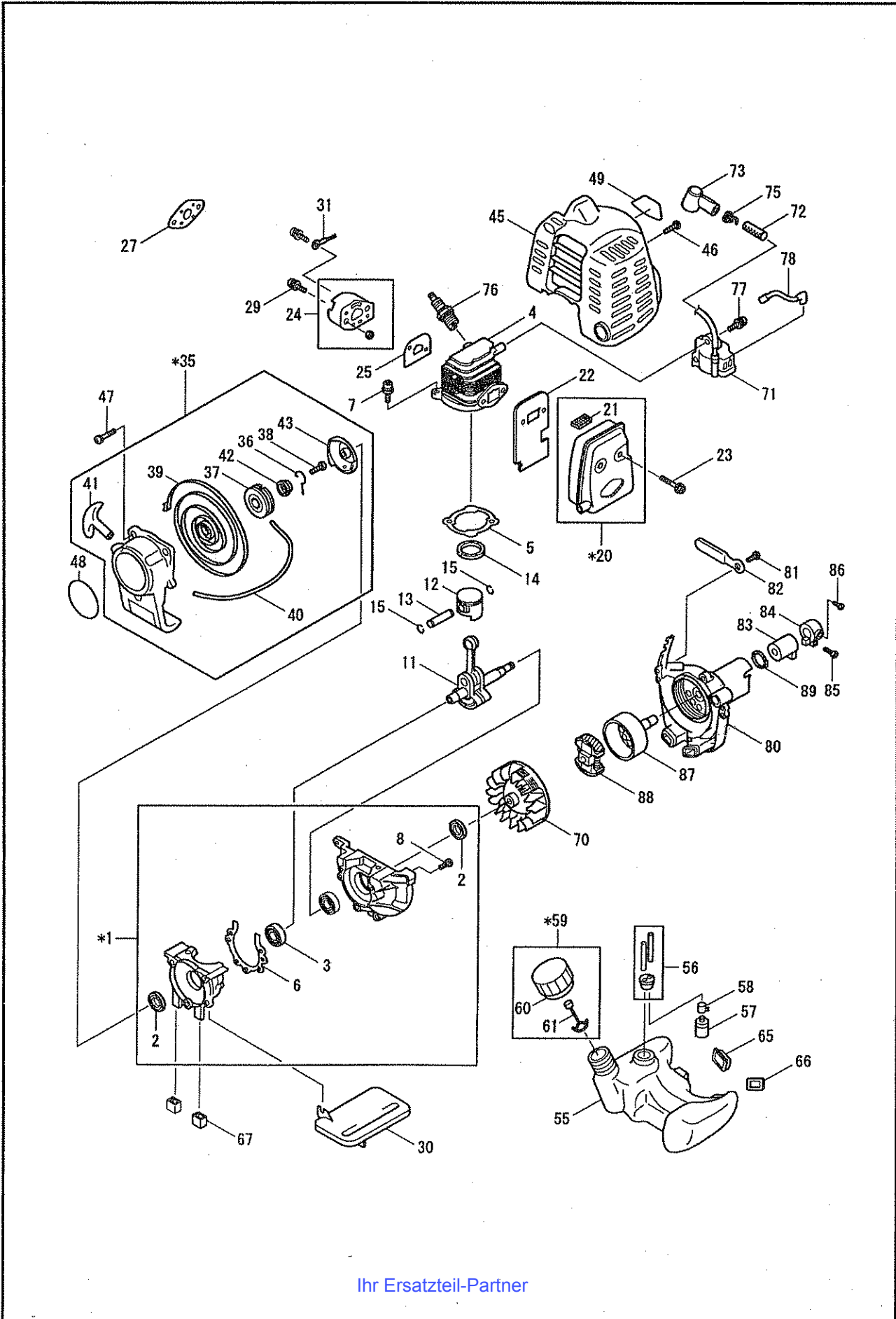
INSTRUCTION MANUAL

Important:

Read this instruction manual carefully before putting the Brush Cutter into operation and strictly observe the safety regulations!
Preserve instruction manual carefully!







ENGINE BODY

www.ersatzteil-service.de
 NB2050 (A) PARTS LIST

(U.S. SPEC.)

KEY NO.	OUR PART No.	QUANTITY	DESCRIPTION	PART No.
* 1	5559	1	CRANKCASE ASSY (INCL. 2, 3, 6, 8)	5191004001
2	7148	2	OIL SEAL	0440109980
3	1386	2	BALL BEARING (#6000)	0600109980
4	5561	1	CYLINDER	5191500702
5	5517	1	GASKET, CYLINDER	5191500301
6	5518	1	GASKET, CRANKCASE	5191500400
7	5333	2	SOCKET HEAD BOLT (M5×20 W, SW)	0119059730
8	5341	3	SCREW (M5×25 SW)	0140059520
11	5562	1	CRANKSHAFT COMPL	5192001001-4
12	5563	1	PISTON	5192500800-1
13	5564	1	PIN, PISTON	5192500500
14	5565	1	RING, PISTON	5192500600
15	5330	2	CLIP	0565089970
* 20	5566	1	MUFFLER, EXHAUST (INCL. 21)	5193001002-1
21		1	SPARK ARRESTER	5193001050
22	5568	1	GASKET, MUFFLER	5193500002
23	5567	2	SOCKET HEAD BOLT (M5×40 W)	0119059520
24	6537	1	INSULATOR COMPL	5233014000-2
25	5520	1	GASKET, INSULATOR	5193500500
27	6686	1	GASKET, AIR CLEANER	5103502800
29	5569	2	SCREW (M5×25 W, SW)	0140059500
30	5570	1	PLATE, MUFFLER	5193500101
31	6907	1	WIRE	6165500201
* 35	5571	1	STARTER, REWIND (INCL. 36~43)	5195001001
36	5572	1	SWING ARM	5195002100
37	5573	1	REEL	5195002030
38	5574	1	SET SCREW	5195002060
39	5575	1	SPIRAL SPRING	5195002050
40	5576	1	STARTER ROPE	5255016020
41	7614	1	STARTER KNOB	5225004020
42	5577	1	COLLAR	5195002110
43	5578	1	PULLEY	5195500000
45		1	COVER, CYLINDER	5195500104
46	5580	1	TAPPING SCREW (5×14)	6601500500
47	5581	3	SCREW ASSEMBLY (M4×25 W, SW)	0043604250
48		1	LABEL, MODEL	6199517200
49	3699	1	LABEL, TRADE MARK	5219500200

