

Table of Contents

3	Symbols
3	Safety instructions
5	Technical data
6	Designation of parts
6	Mounting of handle
6	Mounting of protector
7	Mounting of cutter blade or nylon cutting head
7	Fuels / Refuelling
8	Correct handling of machine
8	Putting into operation
8	Idle adjustment
8	Resharpenering the cutting tool
9	Servicing instructions
10	Storage
11	Federal emission component defect warranty
12	Parts list

Robin

Brush cutter

NB020A

INSTRUCTION MANUAL

Important:
 Read this instruction manual carefully before putting the Brush Cutter into operation and strictly observe the safety regulations! Preserve instruction manual carefully!

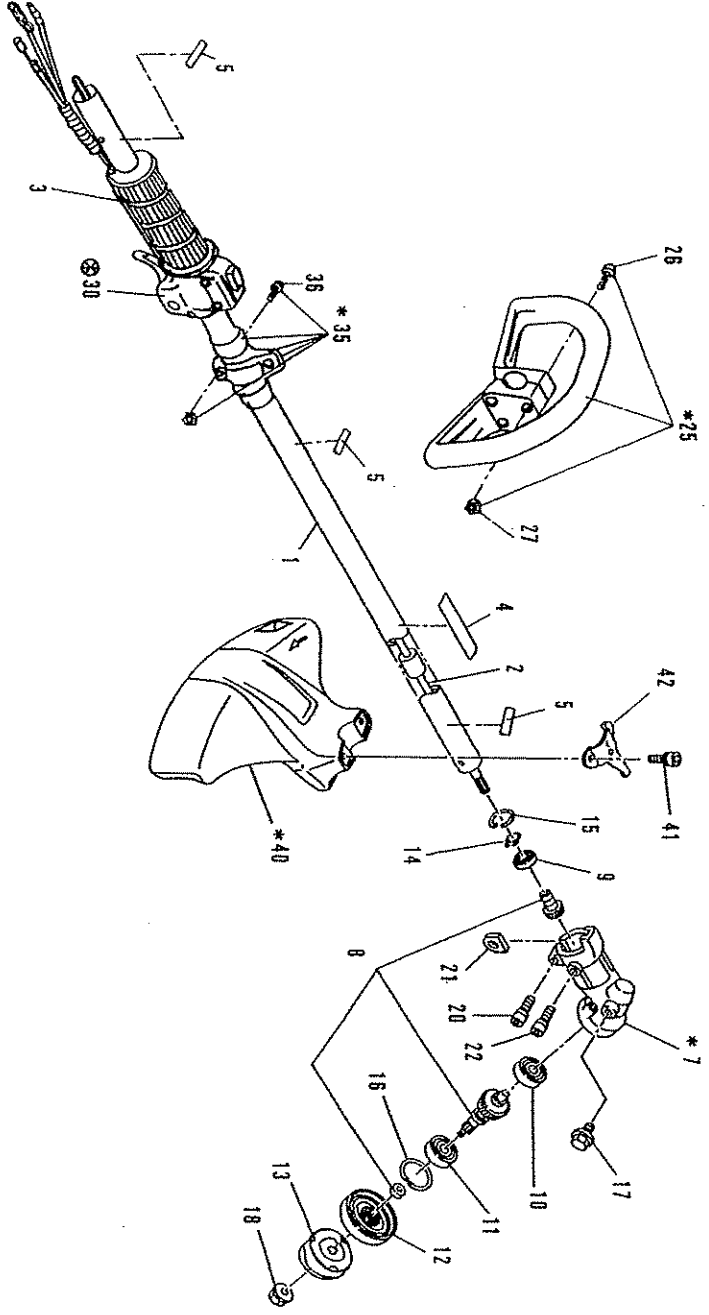
Thank you very much for purchasing the ROBIN Brush Cutter. We are pleased to recommend to you the ROBIN Brush Cutter which is the result of a long development program and many years of knowledge and experience.
 Please read this booklet which refers in detail to the various points that will demonstrate its outstanding performance. This will assist you to obtain the best possible result from your ROBIN Brush Cutter.



FUJIROBIN INDUSTRIES LTD.

NB020(A) PARTS LIST

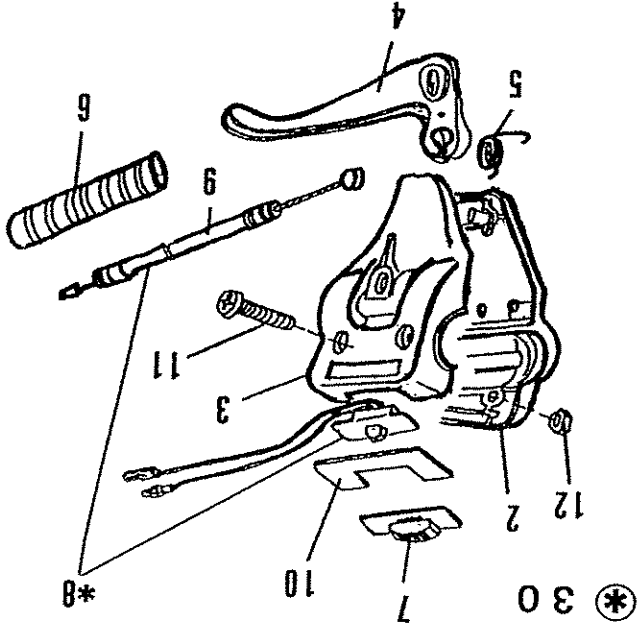
(U.S. SPEC.)



PART NO.	DESCRIPTION	QUANTITY	OUR PART NO.	KEY NO.
6191017000	Pipe, Shaft Compl.	1	6740	1
6191501400	Shaft	1	6745	2
6214500400	Grip	1	6721	3
6199035010	Label, Caution	1	6755	4
6259514700-1	Label, Caution	3	5434	5
6193001005	Case, Gear Assembly (Incl.8-21)	1	6013	*7
6193003001	Shaft, Cutter Set	1	6021	8
6212500300	Ball Bearing (#609ZZ)	1	6008	9
0600069990	Ball Bearing (#626ZZ)	1	5310	10
0600109910	Ball Bearing (#600DDU)	1	6031	11
6198500102	Washer, Receive	1	5539	12
6218003000	Washer, Clamp Compl.	1	6112	13
0031508000	Snapring, Outer (φ8)	1	6130	14
0031424000	Snapring, Inner (φ24)	1	2318	15
0031426000	Snapring, Inner (φ26)	1	6129	16
6253011012	Bolt, Oil (M6X9 W)	1	5309	17
6258505001	Nut	1	9815	18
0119059890	Socket Head Bolt (M5X25 SW)	1	6268	20
6251501400	Gasket	1	5514	21
0119059490	Socket Head Bolt (M5X14 SW)	1	9816	22
6194006000	Handle Assy.	1	6034	*25
0043505300	Screw Assembly (M5X30 SW)	3	6035	26
0021805000	Nut	3	7020	27
6195018000	Control Lever Assy.	1	7084	⊕30
6194002000	Hanger Assy. (Incl.36)	1	7085	*35
0043605250	Screw Assembly (M5X25 W SW)	1	3577	36
6218008003-1	Protector Assembly (Incl.41, 42)	1	8100	*40
0011706300	Bolt Assembly, Crossress (M6X30 W SW)	2	5440	41
6418500303-1	Clamp, Protector	1	6283	42

CONTROL LEVER ASSY

NB020(A) PARTS LIST



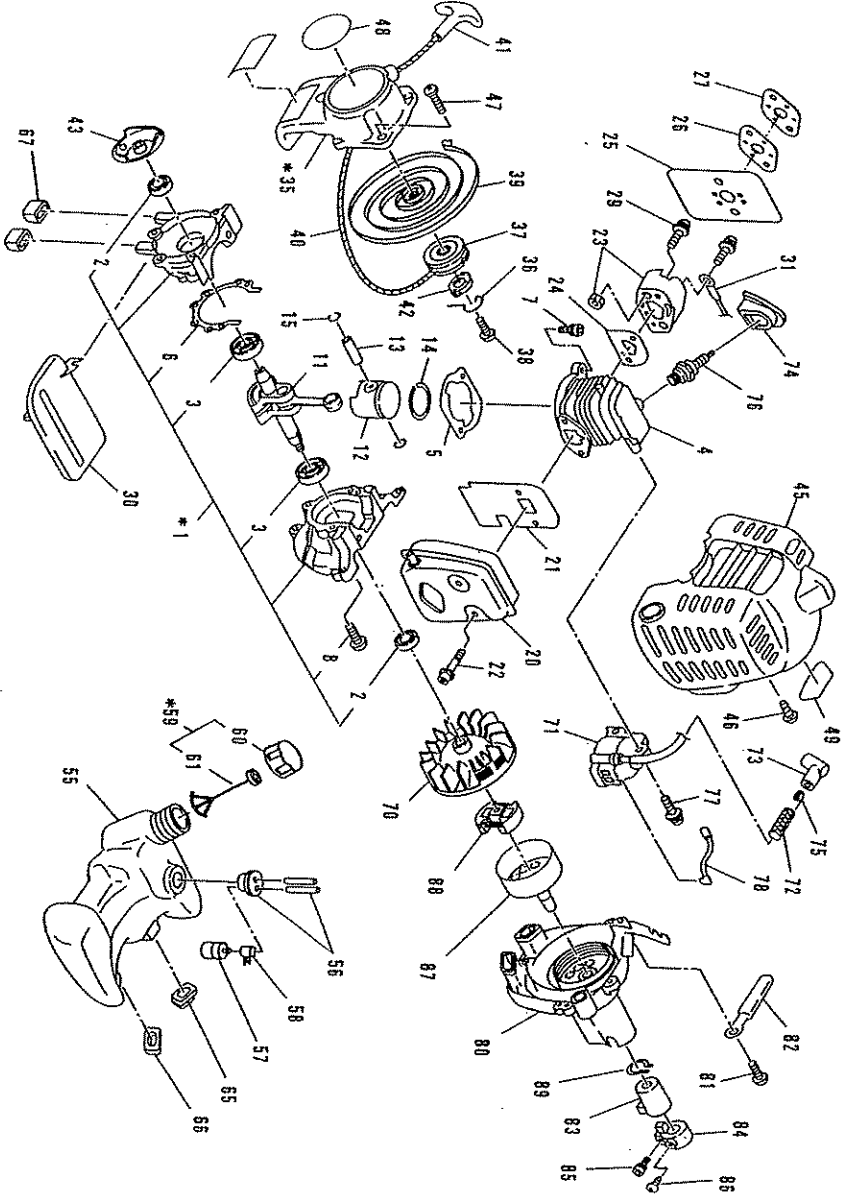
* 30

(U.S. SPEC.)

ENGINE BODY

NB020(A) PARTS LIST

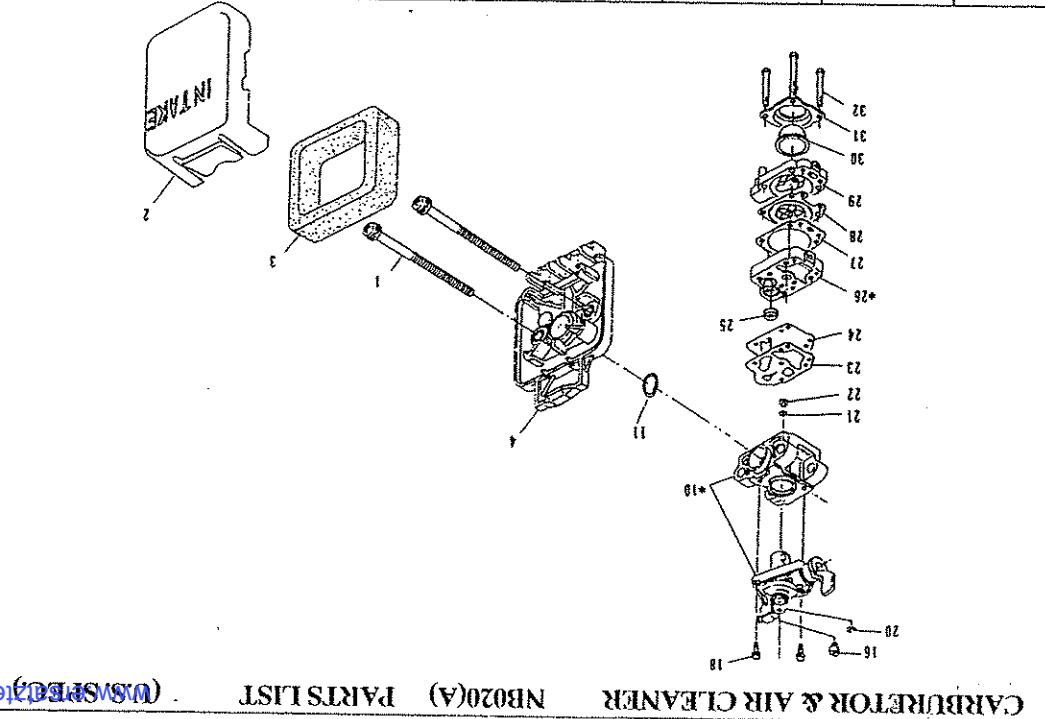
(U.S. SP



KEY NO.	OUR PART NO.	QUANTITY	DESCRIPTION	PART NO.
30	7084	1	Control Lever Assy.	6195018000-
2	7086	1	Case 1	6195018010-
3	7087	1	Case 2	6195018020-
4	7091	1	Lever	6195018030-
5	7092	1	Spring	6195018040-
6	7121	1	Tube	6195018050-
7	7122	1	Lever, Switch	6195018060-
*8	7142	1	Wire set(Incl 9)	6195018110-
9	7143	1	Control Cable	6195018120-
10	7144	1	Plate, Switch	6195018130-
11	6035	3	Screw Assembly (MSX30 SW)	0043505300-
12	7020	3	Nut (M5)	0021805000-

PART NO.	DESCRIPTION	QUANTTY	OUR PART NO.	KEY NO.	NB020(A) PARTS LIST		DESCRIPTION	PART NO.	QUANTTY	OUR PART NO.	KEY NO.	ENGINE BODY	
					(U.S. SPEC.)							PART NO.	QUANTTY
519550010	Cover, Cylinder	1	5579	45	5191004001-	1	Crankcase Assy. (Incl. 2,3,6,8)	5559	1	5559	*1	2	7148
660150050	Tapping Screw (5X14)	1	5580	46	0440109980-	2	Oil Seal	7148	2	1386	3	3	1386
521950020	Label, Trade Mark	1	3699	49	5191500702-	1	Cylinder	5561	1	5561	4	4	5561
519650000	Tank, Fuel	1	5583	55	5191500301-	1	Gasket, Cylinder	5517	1	5518	5	5	5517
085113995	Tube	1	5522	56	5191500400-	1	Gasket, Crankcase	5518	1	5333	6	6	5518
523650390	Filter	1	7320	57	0119059730-	2	Socket Head Bolt (MSX20 W SW)	5333	2	5341	7	7	5333
056105999	Hose Clamp	1	3114	58	0140059520-	3	Screw (MSX25)	5341	3	5562	8	8	5341
525605900	Cap, Fuel Tank Assy. (Incl.60,61)	1	9990	59	5192001001-1	1	Crankshaft Compl.	5562	1	5563	11	11	5562
525605800	Cap, Fuel Tank Assy.	1	9000	60	5192500800-1	1	Piston	5563	1	5564	12	12	5563
525606700	Snap Assy.	1	9010	61	5192500500-	1	Pin, Piston	5564	1	5565	13	13	5564
503650020	Plate	1	6161	65	0565089970-	1	Ring, Piston	5565	1	5566	14	14	5565
503650030	Plate	1	6162	66	5193001002-	2	Clip	5330	2	5566	15	15	5330
521650020	Damper	2	6160	67	5193500002-	1	Muffler, Exhaust	5566	1	5568	20	20	5566
519700101	Flywheel	1	5584	70	0119059520-	1	Gasket, Muffler	5568	1	5567	21	21	5568
519700102	Coil, Ignition	1	5523	71	5233014000-2	2	Socket Head Bolt (MSX40 W)	5567	2	6537	22	22	5567
085111993	Tube (L110)	1	5524	72	5193500500-	1	Insulator Compl.	6537	1	5520	23	23	6537
065500997	Cap, Plug	1	7666	73	5193500401-	1	Gasket, Insulator	5520	1	5521	24	24	5520
519750010	Cover, Plug Cap	1	5526	74	5103503500-	1	Gasket, Carburetor	5521	1	5535	25	25	5521
065400997	Spring, Plug Cap	1	6169	75	5103502800-	1	Spacer, Carburetor	5535	1	6686	26	26	5535
06501498	Plug, Spark (BM7A)	1	BM7A	76	0140059500-	1	Gasket, Air Cleaner	6686	1	5569	27	27	6686
014004997	Screw (M4X20 W SW)	2	5351	77	5193500101-	2	Screw Assembly (MSX25 W SW)	5569	2	5570	29	29	5569
525701800	Wire Compl.	1	5527	78	61655500201-	1	Plate, Muffler	5570	1	6907	30	30	5570
619500400	Case, Clutch Compl.	1	5585	80	5195001001-	1	Wire (L65)	6907	1	5571	31	31	6907
015005997	Tapping Screw (MSX20)	3	3691	81	5195002100-	1	Starter, Rewind (Incl.36-43)	5571	1	5572	*35	35	5571
05660599	Clamp	1	7043	82	5195002030-	1	Swing Arm	5572	1	5573	36	36	5572
61915002	Damper, Pipe	1	5586	83	5195002060-	1	Reel	5573	1	5574	37	37	5573
61910020	Bracket, Pipe Compl.	1	5587	84	5195002050-	1	Set Screw	5574	1	5575	38	38	5574
01190598	Socket Head Bolt (MSX25)	1	5588	85	5255016020-	1	Spiral Spring	5575	1	7614	39	39	5575
66015005	Tapping Screw (5X14)	1	7604	86	5225004020-	1	Starter Rope	5576	1	5577	40	40	5576
61920010	Drum, Clutch Compl.	1	5589	87	5195002110-	1	Starter Knob	7614	1	5578	41	41	7614
61920020	Clutch	1	5529	88	5195500000-	1	Collar	5577	1	5578	42	42	5577
00315100	Snapping, Outer (φ10)	1	5359	89		1	Pulley	5578	1		43	43	5578

KEY NO.	OUR PART NO.	QUANTITY	DESCRIPTION	PART NO.
1	5590	2	Screw Assembly (M5X65 W/ SW)	0043305650-
2	9011	1	Cover Air Cleaner	5253020010-
3	6568	1	Filter Air	5203004010-
4	9012	1	Housing Assy, Air Cleaner	5253003020-
*10	9013	1	Carburetor (W/L- Incl.16-32)	5196017000-
11	5533	1	Ring - O	5236061000-
16	5418	1	Swivel	5236018040-
18	5595	2	Screw	5206008030-
20	6511	1	Ring - Spring retaining	5316005120-
21	6510	1	Ring - O	5246001010-
22	5597	1	Jet (#34.5)	5196002020-
23	6498	1	Gasket - Pump	5246001030-
24	6499	1	Diaphragm - Pump	5246001040-
25	5598	1	Screen - Inlet	5016004010-
		6		
		1	Instruction Manual	
		1	Wrench, Socket Head (M5)	0717049990
		1	Tool	6199032000
		1	Band Assy.	6197004000



KEY NO.	OUR PART NO.	QUANTITY	DESCRIPTION	PAR NO
*26	5599	1	Body Assembly Pump (Incl.25)	52360461
27	5531	1	Gasket - Met'G Diaphragm	52360460
28	3171	1	Diaphragm Assembly - Met'G	53160052
29	5600	1	Body Assembly - Air Purge	52360460
30	6504	1	Pump - Primer	52460011
31	5601	1	Cover - Primer Pump	52360460
32	5602	4	Screw	52360460

STANDARD ACCESSORY NB020(A) PARTS LIST (U.S. SPEX)

