

BP253

ME/MAKINO

SM  
EG

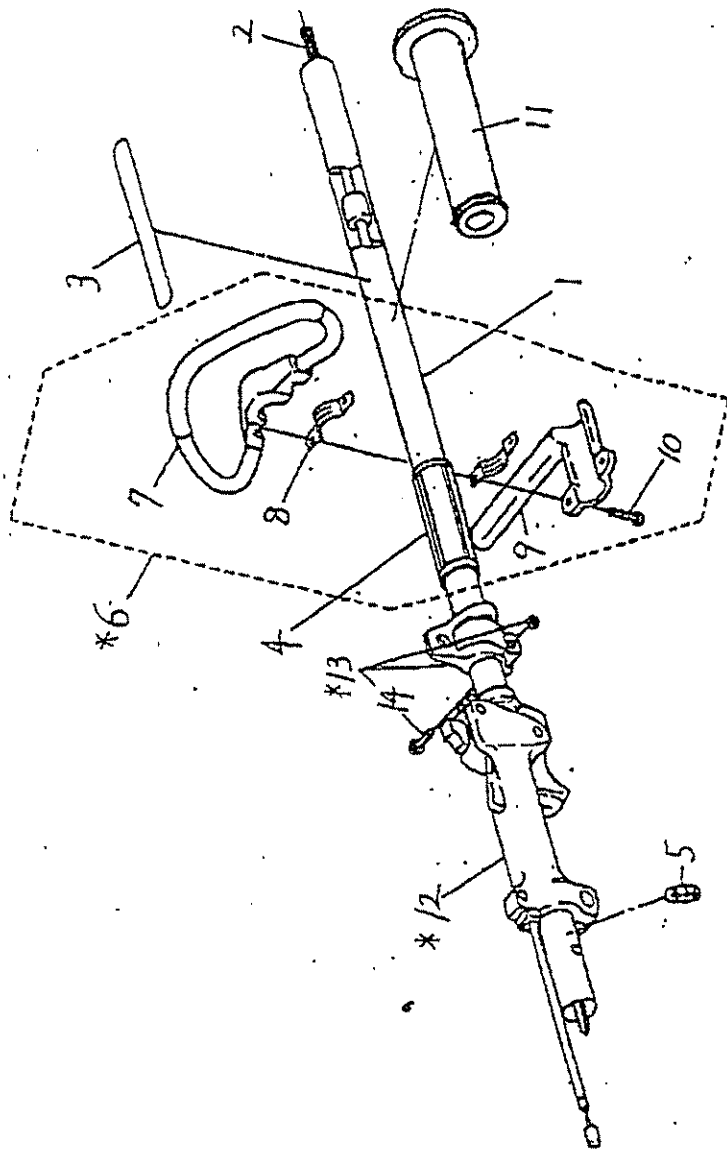
パーツリスト

BP253 (BP253\*\*0101)

(※印は新設部品です)

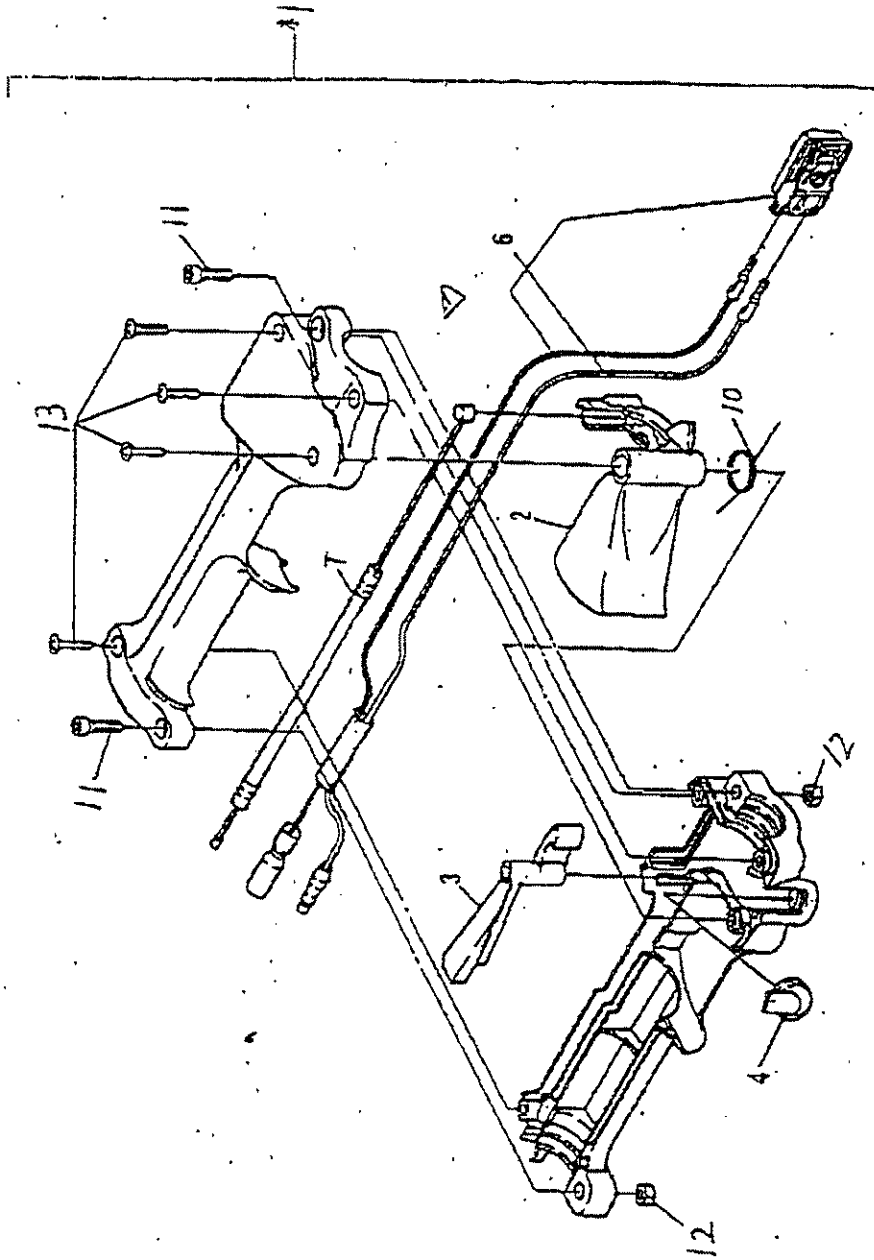
BP253 RECOMMENDED PARTS LIST			Per 10,000 units
A	Consumable and parts regularly replaced	2-3%	200-300 pcs
B	Parts which could be worn, teared and damaged	0.5-1.0%	50-100 pcs
C	Slow moving or less	0.1-0.2%	10-20 pcs

主査	点検	作成
	倉倉 '00.10.16	



BP253

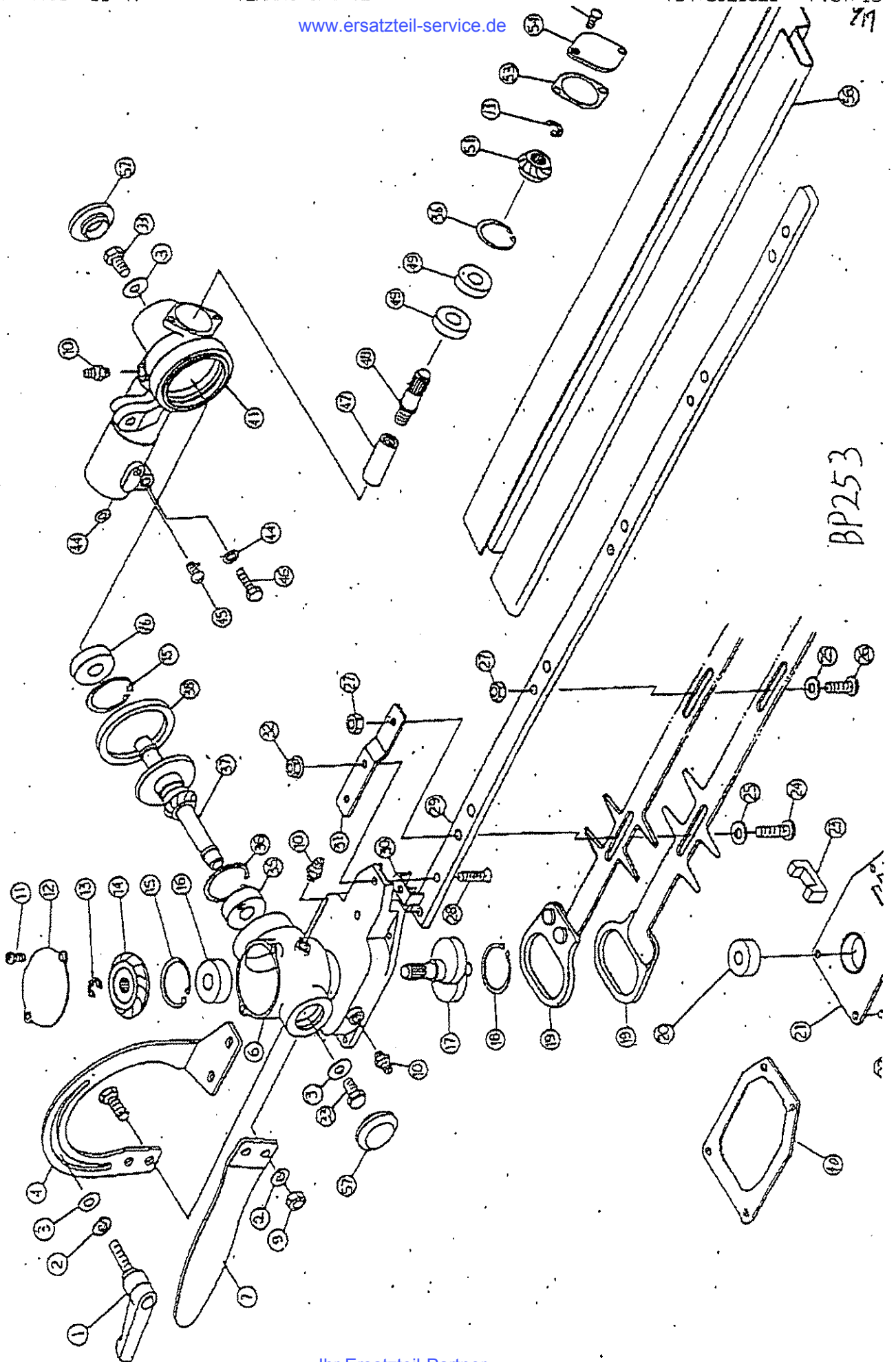




BP253



BP253

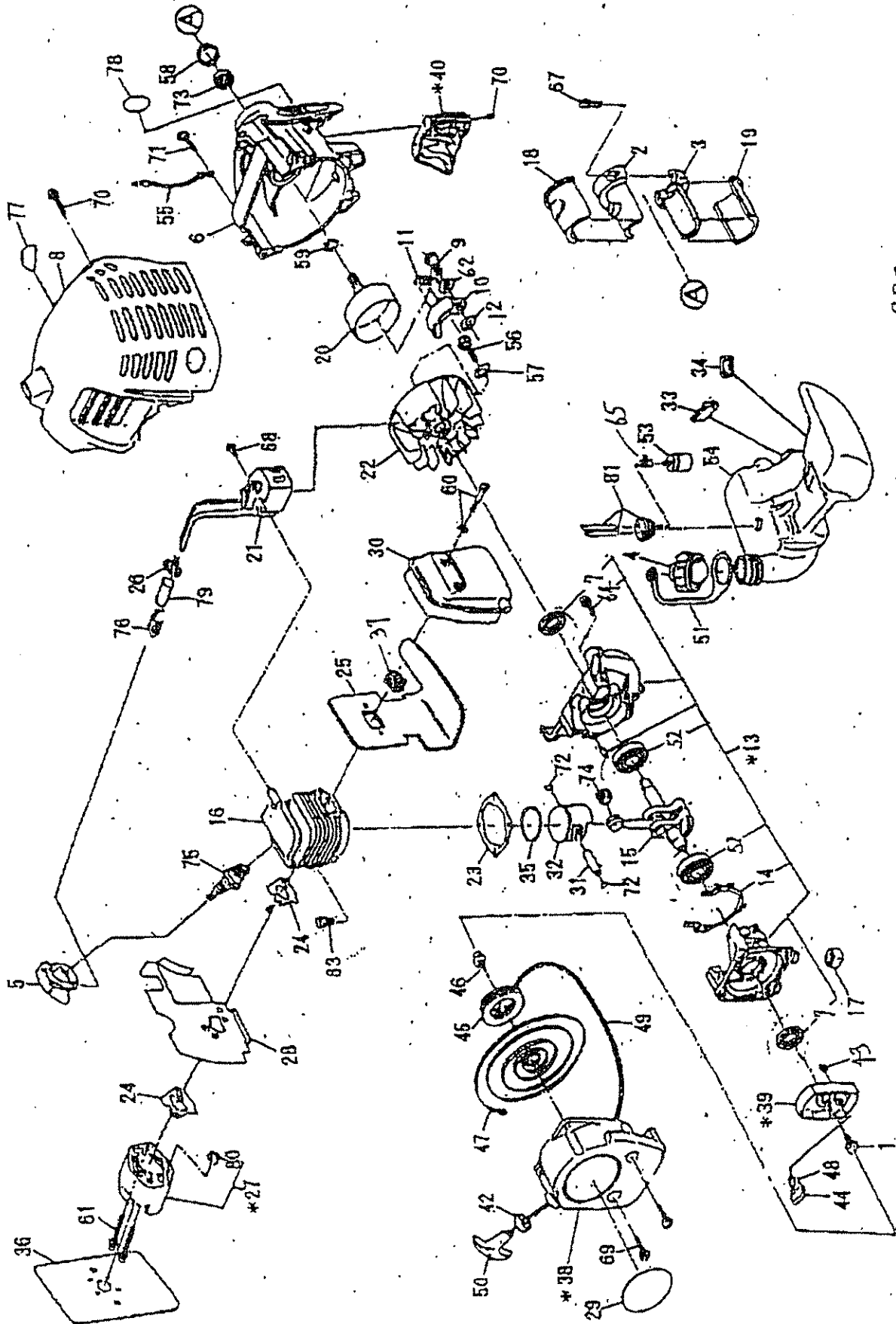


図番	部品番号	部品名称	換装箇所 (1個 当たり)	個数				備考
				BP253				
1	6013085010-	C LEVER, CLAMP		1				10021
2	0032105001-	C SPRING WASHER		3				10022
3	6013085020-	C WASHER		3				10023
4	6013085030-	C PLATE		1				10024
5	6013085040-	C BOLT		2				10025
6	6013085050-	C CASE A		1				10026
7	6013085060-	C HANDLE		1				10027
8								<del>10028</del>
9	0021706000-	C NUT		2				7505
10	6013085440-	C NIPPLE		3				10029
11	6013085450-	C SCREW PAN HEAD		4				10030
12	6013085460-	C PLATE		1				10031
13	0031306000-	G CLIP		2				10032
14	6013085510-	C GEAR		1				10033
15	0031426000-	C SNAPRING, INNER		2				6129
16	6013085110-	C BALL BEARING		2				10034
17	6013085120-	C CRANKSHAFT		1				10035
18	0031528000-	C SNAPRING, OUTER		1				10036
19	6013085130-	A BLADE		2				10037
20	6013085140-	C BALL BEARING		1				10038
21	6013085150-	C CASE LOWER		1				10039
22	6013085160-	C BOLT		4				10040
23	6013085520-	B FELT		1				10041
24	6013085530-	C SCREW		1				10042
25	6013085540-	C WASHER		5				10043
26	6013085550-	C SCREW		4				10044
27	0170069960-	C U-NUT		5				4209
28	6013085220-	C SCREW		2				10045
29	6013085230-	C GUIDE PLATE		1				10046



図番	部品番号	部品名称	標準価格 (1個・ 当たり)	個 数				備 考
				BP253				
* 30	6013085240-	C GUIDE		1				10047
* 31	6013085250-	C PLATE		1				10048
* 32	6013085250-	C FRANGE NUT		2				10049
* 33	6013085560-	C BOLT		2				10050
34								
* 35	6013085610-	C BALL BEARING		1				10052
* 36	0031422000-	C SNAPRING, INNER		2				5312
* 37	6013085620-	C GEAR COMPL		1				10053
* 38	6013085630-	C RING-O		1				10054
39								
* 40	6013085430-	A PACKIN		1				10051
* 41	6013085310-	C CASE B		1				10055
42								
43								
* 44	6013085320-	C WASHER		2				10028
* 45	6013085330-	C SCREW PAN HEAD		1				10058
* 46	6013085340-	C BOLT		1				10059
* 47	6013085350-	C JOINT R		1				10056
* 48	6013085360-	C SHAFT, GEAR D		1				10060
* 49	6013085640-	C BALL BEARING		2				10061
50								
* 51	6013085650-	C GEAR		1				10062
52								
* 53	6013085660-	A PACKIN		1				10063
* 54	6013085700-	C PLATE		1				10064
55								
* 56	6013085410-	C BLADE COVER		1				10065
* 57	6013085420-	C CAP		2				10066





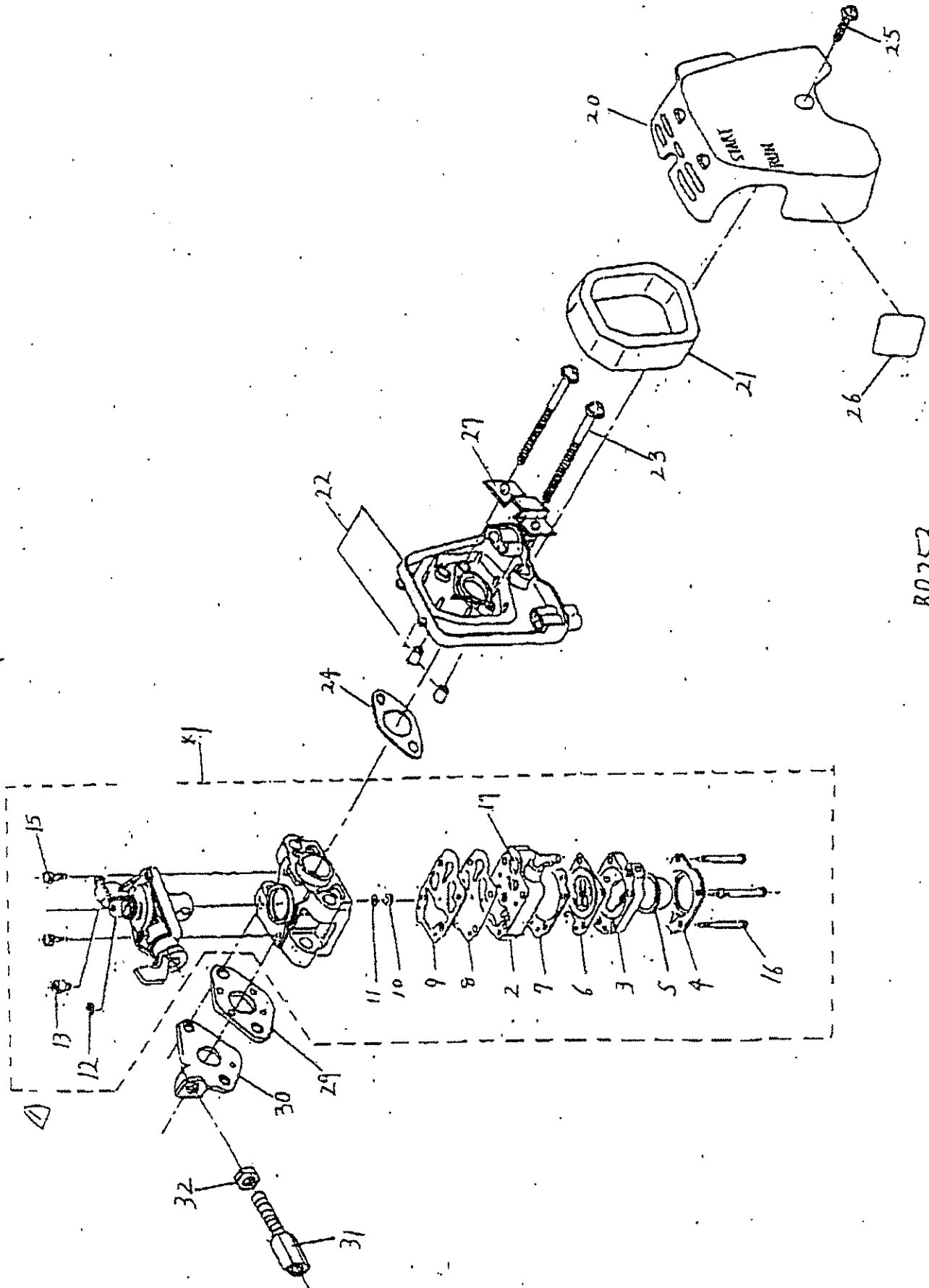
BP253

図番	部品番号	部品名称	標準価格 (1個 当たり)	個 数				備 考
				BP253				
1	5235504700-	C BOLT ASSY		1				M6=14 W 5363
2	6251509500-	C BRACKET, PIPE 1		1				5377
3	6251509600-	C BRACKET, PIPE 2		1				5378
4	5316014000-1	B CAP, FUEL TANK		1				5468
5	5237503301-1	A CAP, PLUG		1				5354
6	6211504204-	C CASE, CLUTCH		1				10067
7	0440129970-	B OIL SEAL		2				5447
8	5255015000-	C COVER, CYLINDER COMPL.		1				5481
9	5928500400-	C BOLT, CLUTCH		2				10068
10	5928500000-	B SHOE, CLUTCH		2				9967
11	5928500100-	C SPRING		1				9968
12	6252500900-1	C WASHER		2				2308
*13	5231011001-1	C CRANKCASE ASSY		1				Incl. 7, 14, 62, 64 10069
14	5231502202-	A GASKET, CRANKCASE		1				5325
15	5232017000-	C CRANKSHAFT COMPL.		1				5448
16	5231501804-	C CYLINDER		1				10070
17	5216500200-	A DAMPER		2				6160
18	5261506604-	A DAMPER, PIPE 1		1				10071
19	6251506703-	A DAMPER, PIPE 2		1				10072
△*	6212014000- <del>6243003000-</del>	C DRUM, CLUTCH COMPL.		1				10073
21	5237031024-1	B COIL		1				10074
22	5257002010-	C FLYWHEEL		1				5449
23	5231502304-	A GASKET, CYLINDER		1				5405
24	5233503902-	A GASKET, INSULATOR		2				5335
25	5253500602-	A GASKET, MUFFLER		1				10075
26	5237503202-	C GROMMET		1				5352
*27	5233014000-2	C INSULATOR COMPL.		1				Incl. 30 5484

28

図番	部品番号	部品名称	標準価格 (1個 当たり)	個数				摘要
				BP253				
28	5253501001-	C INSULATOR CARBURETOR		1				5485
29	6019501700-	C LABEL, MODEL		1				10076
30	5233037003-2	C MUFFLER, EXHAUST		1				Incl.37 5347
31	5232502600-	C PIN, PISTON		1				5329
32	5232501902-	C PISTON		1				5327
33	5036500200-1	A PLATE		1				6161
34	5036500300-1	A PLATE		1				6162
35	5242500701-	C RING, PISTON		1				5328
36	5253500300-	A SPACER, GASKET		1				5487
37	5233506600-	B SPARK ARRESTOR		1				10077
*38	5255006002-	C STARTER, REWIND		1				Incl. 39, 42~50 5488
*39	5235025001-	C PULLEY		1				Incl. 43, 44, 48 5361
*40	5219002000-	C STAND SET		1				Incl. 70 9841
				1				
42	5255001040-	C DAMPER		1				5490
43	5215003040-	C E-CLIP		1				6151
44	5415011010-	C RATCHET		1				3107
45	5235024012-	C REEL		1				5373
46	5425003010-	C SET SCREW		1				5376
47	5235024032-	C SPIRAL SPRING		1				10078
48	5245007020-	C RETURN SPRING		1				5492
49	5235024022-	C STARTER, ROPE		1				5375
50	5225004020-	C STARTER, KNOB		1				7614
51	6255021002-	B STRAP UNIT		1				5444
52	0600129850-	C BALL BEARING		2				#6001C3 10079
53	5236503900-	A FILTER		1				3112
54	5256501304-	C TANX, FUEL		1				10080

図番	部品番号	部品名称	標準価格 (1個 当たり)	個 数				価 値
				BP253				
55	6165501200-1	C WIRE		1				10081
56	0011306160-	C BOLT ASSY		1				6190
57	0031206000-	C WASHER		1				1395
58	0031432000-	C SNAPPING, INNER		1				6272-1
59	0031512000-	C SNAPPING, OUTER		1				1398
60	0119059600-	C SOCKET HEAD BOLT		2				M5*45 W 10082
61	0119059640-	C SOCKET HEAD BOLT		2				M5*25 W, SW 5495
62	0200089911-	C WASHER		2				6486
63	0119059730-	C SOCKET HEAD BOLT		2				M5*20 W, SW 5333
64	0140059520-	C SCREW		3				M5*25 W, SW 5341
65	0561059990-	C HOSE CLAMP		1				3114
67	0119059950-	C SOCKET HEAD BOLT		2				M5*18 SW 1223
68	0140049920-	C SCREW		2				M4*20 W, SW 5351
69	0140059450-	C SCREW		4				M5*18 W, SW 5497
70	0140059480-	C SCREW ASSY		3				M5*14 W, SW 10083
71	0140059700-	C SCREW		3				M5*20 W, SW 5334
72	0565089970-	C CLIP		2				5330
73	0600129950-	C BALL BEARING		1				#6201DD 8103
74	0610089990-	C NEEDLE ROLLER BEARING		1				1012
75	0650149721-	A PLUG, SPARK		1				BMR7A BMR7A
76	0654009931-	B SPRING, PLUG CAP		1				61169
77	0734509931-	C LABEL		1				10084
78	0739209980-	C LABEL		1				5500
79	0851069920-	B TUBE		1				5501
80	0021705000-	C NUT		2				6470
81	0851199971-	A TUBE		1				5502



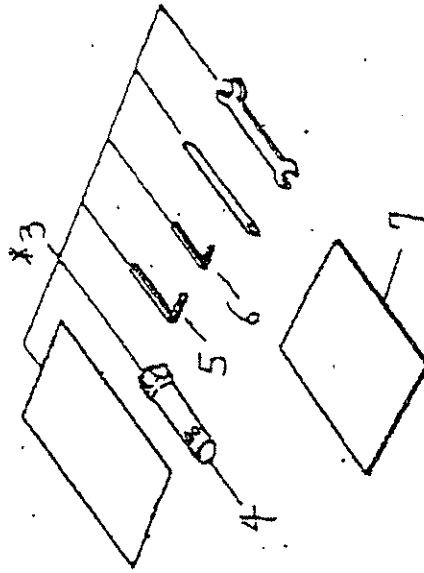
BP253



図号	部品番号	部品名称	標準価格 (1個 当たり)	個数		注
				BP253		
						10085
*	1	5256065000- B CARBURETOR		1		Incl.2~17 WYL-144
	2	5236046130- C BODY ASSEMBLY-PUMP		1		3861
	3	5236046060- C BODY ASSEMBLY-AIR PURGE		1		3863
	4	5236046050- C COVER-PRIMER PUMP		1		6790
	5	5246001150- C PUMP-PRIMER		1		6504
	6	5316005250- A DIAPHRAGM ASSEMBLY-MET' G		1		3171
	7	5236046040- A GASKET-MET' G DIAPHRAGM		1		9882
	8	5246001040- A DIAPHRAGM-PUMP		1		6499
	9	5246001030- A GASKET-PUMP		1		6498
*	10	5256085010- C JET		1		10086
	11	5246001010- A RING-O		1		6510
	12	5316005120- C RING-SPRING RETAINING		1		6511
	13	5236018040- C SWIVEL		1		5418
	14					
	15	5206008030- C SCREW		2		5419
	16	5236046010- C SCREW		4		5602
	17	5016004010- C SCREEN-INLET		1		6508
	18					
	19					
	20	5253502600-1 C CASE, AIR CLEANER		1		10087
	21	5233504700- A ELEMENT, AIR CLEANER		1		5409
	22	5253021000-1 C PLATE, CLEANER COMPL		1		10088
	23	0140059470- C SCREW		2		10089
	24	5233504200- A GASKET, CARBURTOR		1		5412
	25	0043605140- C SCREW ASSEMBLY		1		M5=14 W, SW 5416
*	26	0736309980- C LABEL		1		10090
	27	5013502400- C PLATE, AIR CLEANER		1		5506
	28					







BP253

