

www.ersatzteil-service.de

HEDGE TRIMMER

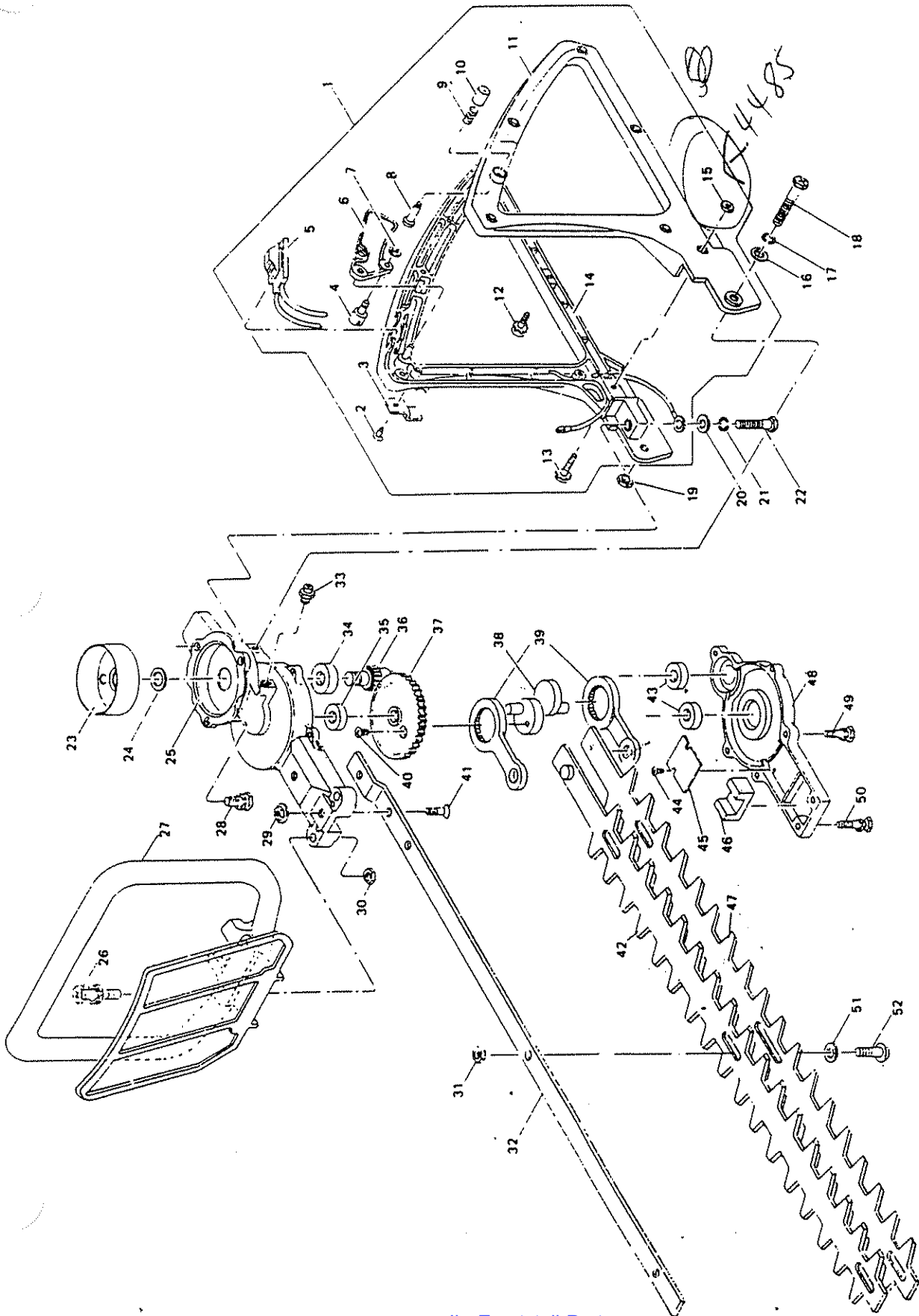
Model HT200L

PARTS MANUAL

Ihr Ersatzteil-Partner

HT200L

Machine Body



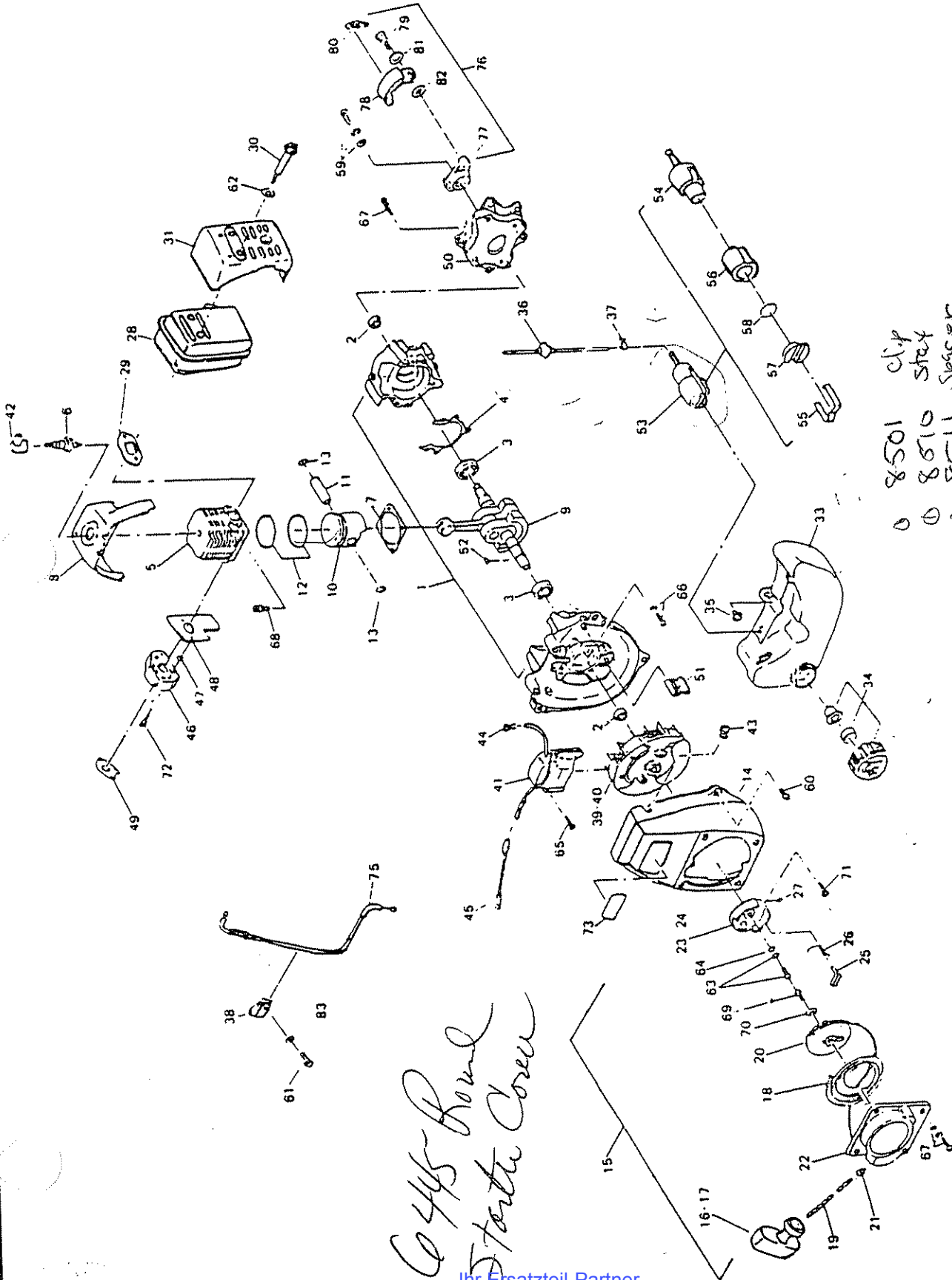
HT200L

Machine Body

Ref. No.	Mfg.'s No.	Part Name	Our Part No.	Qty.	Ref. No.	Mfg.'s No.	Part Name	Our Part No.	Qty.
1	118-110	Rear handle assembly (inc.2-15)	9301	1	39	118-100	Rod assembly	9328	2
2	900-140	Screw (M4×10)	9302	1	40	900-256	Screw (M5×10)	9329	1
3	118-121	Holder, cable	9303	1	41	900-255	Screw (M5×16)	9330	2
4	118-111	Plate, wire	9304	1	42	077-106	Upper blade	9331	1
5	118-001	START/STOP switch	9305	1	43	901-061	Bearing	9332	2
6	118-115	Throttle lever	9306	1	44	900-040	Screw (M3×5)	5030	2
7	902-050	Snap ring	9307	1	45	030-110	Plate, rod slide	5031	1
8	118-112	Pin, lever	9308	1	46	118-101	Felt	9333	1
9	118-114	Spring	9309	1	47	077-107	Lower blade	9334	1
10	118-113	Fixing knob	9310	1	48	118-104	Lower case	9335	1
11	118-109	Rear handle (L)	9311	1	49	900-257	Bolt (M5×16) (Washer/Spring washer)	9336	5
12	900-141	Screw (M4×16)	9312	5	50	900-258	Bolt (M5×20) (Washer/Spring washer)	9337	2
13	900-142	Screw (M4×30)	9313	1	51	008-250	Washer	5028	4
14	118-108	Rear handle (R)	9314	1	52	008-247	Screw	5027	4
15	900-100	Hexagon nut (M4)	5037	6					
16	900-321	Plain washer (M6)	5114	1					
17	900-320	Spring washer (M6)	5113	1					
18	900-348	Bolt (M6×50)	9315	1					
19	900-301	Hexagon nut (M6)	9316	1					
20	900-321	Plain washer (M6)	5114	1					
21	900-320	Spring washer (M6)	5113	1					
22	900-347	Bolt (M6×40)	9317	1					
23	027-142	Drum	5097	1					
24	027-146	Drum collar	5048	1					
25	118-103	Upper case	9318	1					
26	900-349	Bolt (M6×30) Washer/Spring washer & washer	9319	2					
27	118-107	Front handle (incl. shield)	9320	1					
28	900-340	Bolt (M6×15) (Washer/Spring washer)	5060	2					
29	900-203	Flange nut (M5)	9321	2					
30	900-301	Lock nut (M6)	9322	2					
31	900-300	Hexagon U-nut (M6)	5018	4					
32	118-12b	Guide plate	9323	1					
33	902-001	Nipple, grease (M6)	5096	1					
34	901-101	Bearing	5046	1					
35	901-061	Bearing	9324	1					
36	118-102	Pinion	9325	1					
37	118-105	Gear, crank	9326	1					
38	118-106	Crank	9327	1					

HT200L

En Body



- 0 8501 clip
- 0 8510 stay
- 0 8511 spacer
- 0 8512 BOLT

For Fuel Tank

445-Round
Starter Core

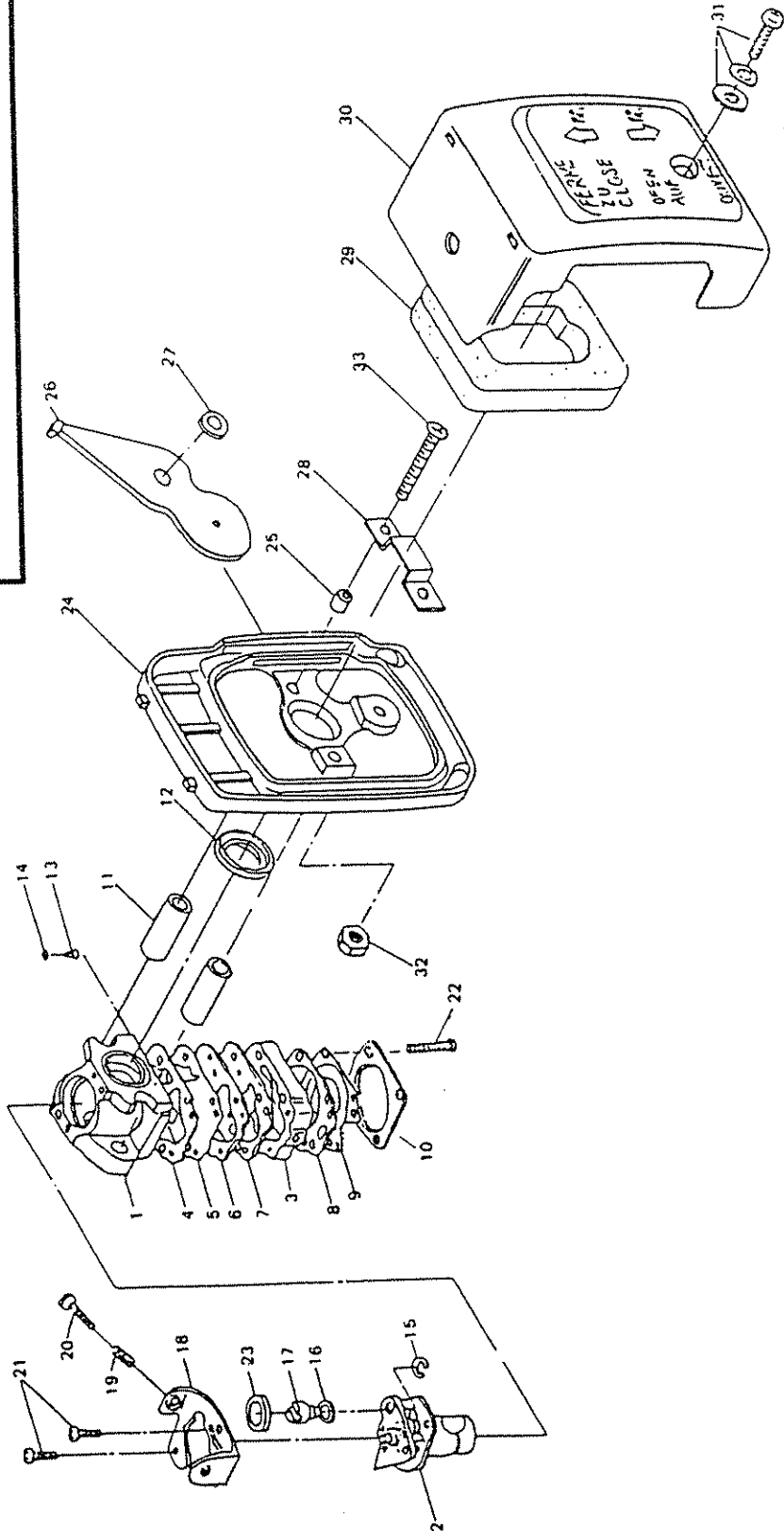
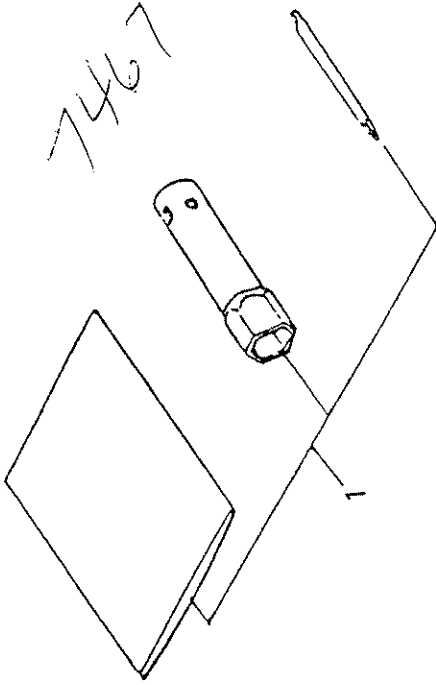
HT200L

Engine Body

Ref. No.	Mfg.'s No.	Part Name	Our Part No.	Qty.	Ref. No.	Mfg.'s No.	Part Name	Our Part No.	Qty.
1	EC02E-S0120A	Crank case complete (incl.2-4)	6132 6132	1	45	EC06A-0726	Lead complete (B)	9351	1
2	0440-12999-1	Oil seal	1002	2	46	EC02E-0309A	Heat insulator (incl. 47)	6171	1
3	0600-12992-0	Ball bearing	1003	2	47	00217-0500-0	Nut (M5)	1112	2
4	EC02E-1103A	Crank case packing	6133	1	48	EC02ER-3128A	Heat insulator packing	9352	1
5	EC02ER-1107B	Cylinder	9338	1	49	EC02E-3112A	Gasket (WY)	6173	1
6	0650-14981-0	Spark plug (NGK BM7A)	1007	1	50	118-124	Spacer	9353	1
7	EC02E-1104B	Cylinder packing	7417	1	51	EC02E-5111/1	Plate	6175	1
8	EC02ER-5116A-EA	Cylinder cover	9339	1	52	00532-0310-1	Woodruff key	1077	1
9	EC02E-0201D	Crank shaft complete	7418	1	53	EC01A-6040	Filter	6185	1
10	EC02E-2104B	Piston	7419	1	54	5-2328	Body assembly filter	3112	1
11	EC02E-2106	Piston pin	6139	2	55	43-53	Clip filter	7437	1
12	EC02E-2107	Piston ring	6140	2	56	125-59	Filter felt	7438	1
13	0565-07999-0	Clip	1015	2	57	108-147	Retainer filter	7439	1
14	EC02ER-5119-EA	Fun cover	9340	1	58	106-17	Packing filter	7440	1
15	EC02E-0501C	Recoil starter complete (incl. 16-27, 69,70)	6141	1	59	NB23-2001	Holder clamping bolt ass'y (M6x14)	9354	1
16	EC02E-0504A	Recoil assembly (incl. 17-22, 69, 70)	6142	1	60	EC02E-5102	Tapping screw (A) (M5x16)	3310	2
17	A57202700000	Starter knob	1018	1	61	EC02E-5113	Tapping screw (B) (M5x20)	5085	1
18	A60001000000	Spiral spring	6143	1	62	EC03F-3995	Washer	6189	2
19	A57100890000	Starter rope	1021	1	63	00113-0616-0	Bolt assembly (M6x16)	6190	1
20	A54101000000	Reel	6144	1	64	00312-0600-0	Washer (M6)	1395	1
21	A50403100001	Rope guide	6145	1	65	00431-0516-0	Screw (M5x16)	3152	2
22	A50001010990	Starter case	6146	1	66	00435-0525-0	Screw assembly (M5x25)	8160	3
23	EC02E-0505/1 r	Starter pulley compl. (incl. 24-27)	6147	1	67	00436-0518-0	Screw assembly (M5x18)	4226	8
24	A70001000501	Starter pulley	9341	1	68	Q119-05987-0	Bolt (Socket head) (M5x18)	8009	2
25	A55001000000	Ratchet	6149	1	69	A60702600010	Set screw	6194	1
26	A60501010000	Return spring	6150	1	70	A60201000010	Washer	6195	1
27	500040600612	E ring	6151	1	71	00411-0620-0	Screw (M6x20)	9355	2
28	EC02ER-0312	Muffler assembly	9342	1	72	EC02-9522	± Screw assembly (M5x22)	8134	2
29	EC01A-3020	Muffler gasket	1620	1	73	EC02E-5117A	Label	9356	1
30	EC02EF-3164	Muffler clamping bolt	7422	2	75	EC02ER-0903	Throttle wire	9357	1
31	EC02ER-3133A-TA	Muffler cover	9343	1	76	NB16-2051	Clutch complete (incl. 79-83)	9358	1
33	EC02ER-6106B	Fuel tank	9344	1	77	NB02-A-201A	Holder	8011	1
34	EC02-0666	Fuel tank cap complete	7424	1	78	NB26-2102	Clutch shoe	9359	2
35	EC01R-6501	Spacer	9345	1	79	NB26-2103	Clutch bolt	6181	2
36	EC02ER-0610	Rubber tube	9346	1	80	NB16F-2104	Spring (Clutch)	9360	1
37	EC01A-6070	Hose clamp	1632	1	81	NB02A-206	Washer (A)	1143	2
38	EC06A-0412	Clamp	4371	1	82	NB02A-207	Washer (B)	1144	2
39	EC02ER-0702	Magneto complete	9347	1	83	00312-0500-0	Washer (M5)	1429	1
40	1110-0340000	Fly wheel	9348	1					
41	1140-0470000	Ignition coil	9349	1					
42	EC02-090B	Plug cap complete (inc. 44)	1051	1					
43	EC01A-7001	Grommet	9350	1					
44	0654-00998-2	Plug cap spring	6169	1					

HT200L

Compressor Parts and Accessories



HT200L

Carburetor Parts

Ref. No.	Mfg.'s No.	Part Name	Our Part No.	Qty.	Ref. No.	Mfg.'s No.	Part Name	Our Part No.	Qty.
1	EC02ER-0606	Carburetor complete (incl. 2-27)	9361	1	18	167-91	Bracket-idle adjust	6214	1
2	34-514	Valve assembly-throttle	6199	1	19	98-323	Spring idle adjust	8119	1
3	5-2288	Body assembly-pump	7452	1	20	96-314	Screw-idle adjust	6217	1
4	92-258	Gasket-pump	7453	1	21	96-323	Screw-collar throttle	6218	2
5	95-99	Diaphragm-pump	6203	1	22	96-325	Screw-metering cover	6219	4
6	157-280	Plate-pump	6204	1	23	EC02E-3123	Wire holder	6220	1
7	92-257	Gasket-plate	6205	1	24	EC02E-3104B	Air cleaner plate	6221	1
8	92-146	Gasket-metering diaphragm	3166	1	25	EC02E-3108	Spacer	6222	2
9	95-526	Diaphragm assembly-metering	3171	1	26	EC02E-3141A	Choke lever	7460	1
10	21-158	Cover-meeting diaphragm	3206	1	27	EC02E-3114A	Rubber seat	6224	1
11	122-211	Sleeve-mounting	6206	2	28	EC01A-3072A	Prevent plate	7462	1
12	16-103	Ring-packing	6207	1	29	EC02E-3106	Element	7463	1
13	112-183	Jet (#44)	7456	1	30	EC02ER-3130	Air cleaner cap	9362	1
14	16-104	Ring "O"	6210	1	31	00436-0512-0	Screw assembly (M5 x 12)	7108	1
15	16-71	Ring-spring retaining	8115	1	32	00217-0500-0	Nut (M5)	1112	1
16	136-90	Washer	8116	1	33	00431-0555-0	Screw assembly (M5 x 55)	1710	2
17	52-30	Swivel	6213	1					

HT200L

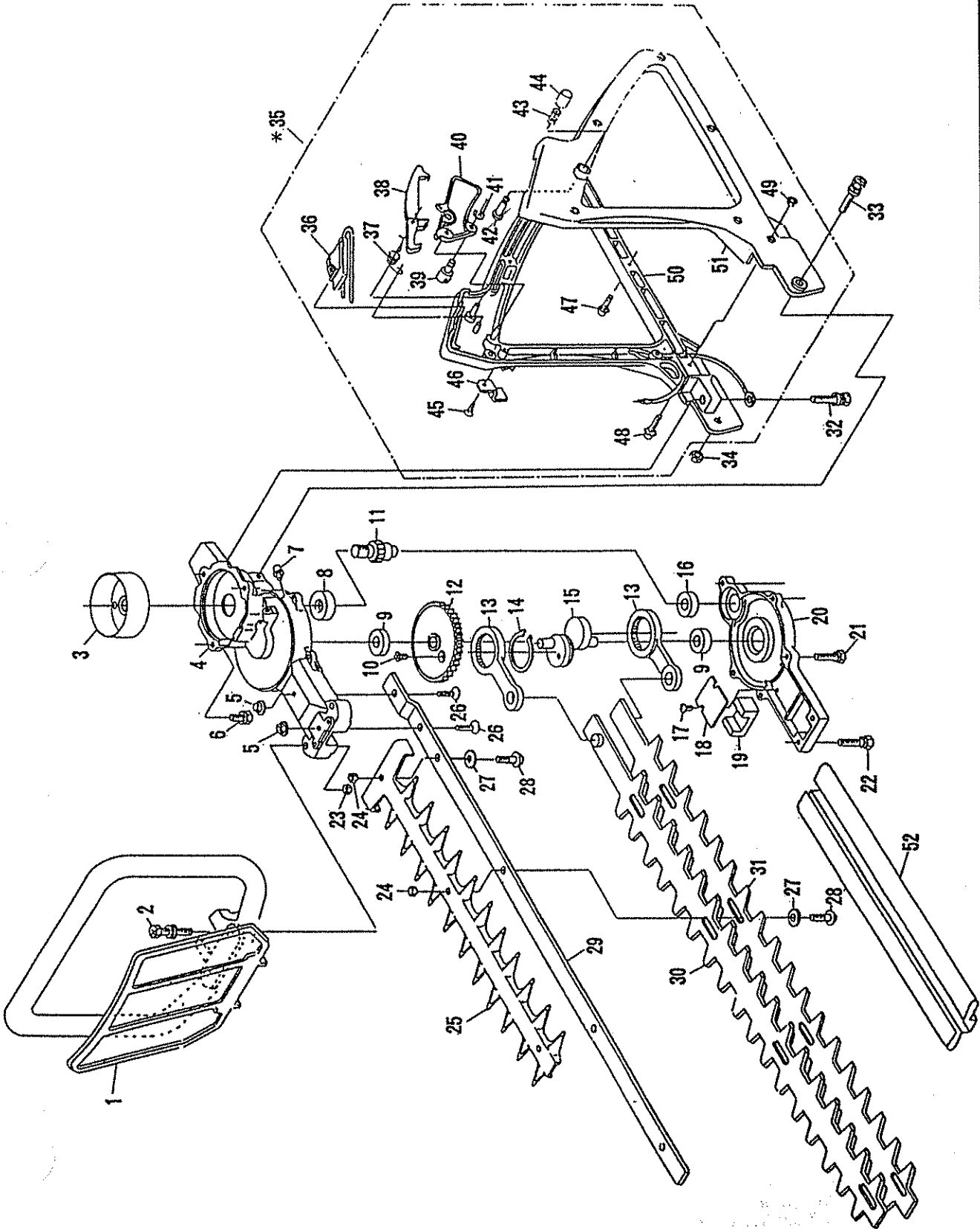
Accessories

Ref. No.	Mfg.'s No.	Part Name	Our Part No.	Qty.	Ref. No.	Mfg.'s No.	Part Name	Our Part No.	Qty.
1	EC01A-0904	Tool kit	9362	1					

HT200L-01

Machine Body

Model HT221



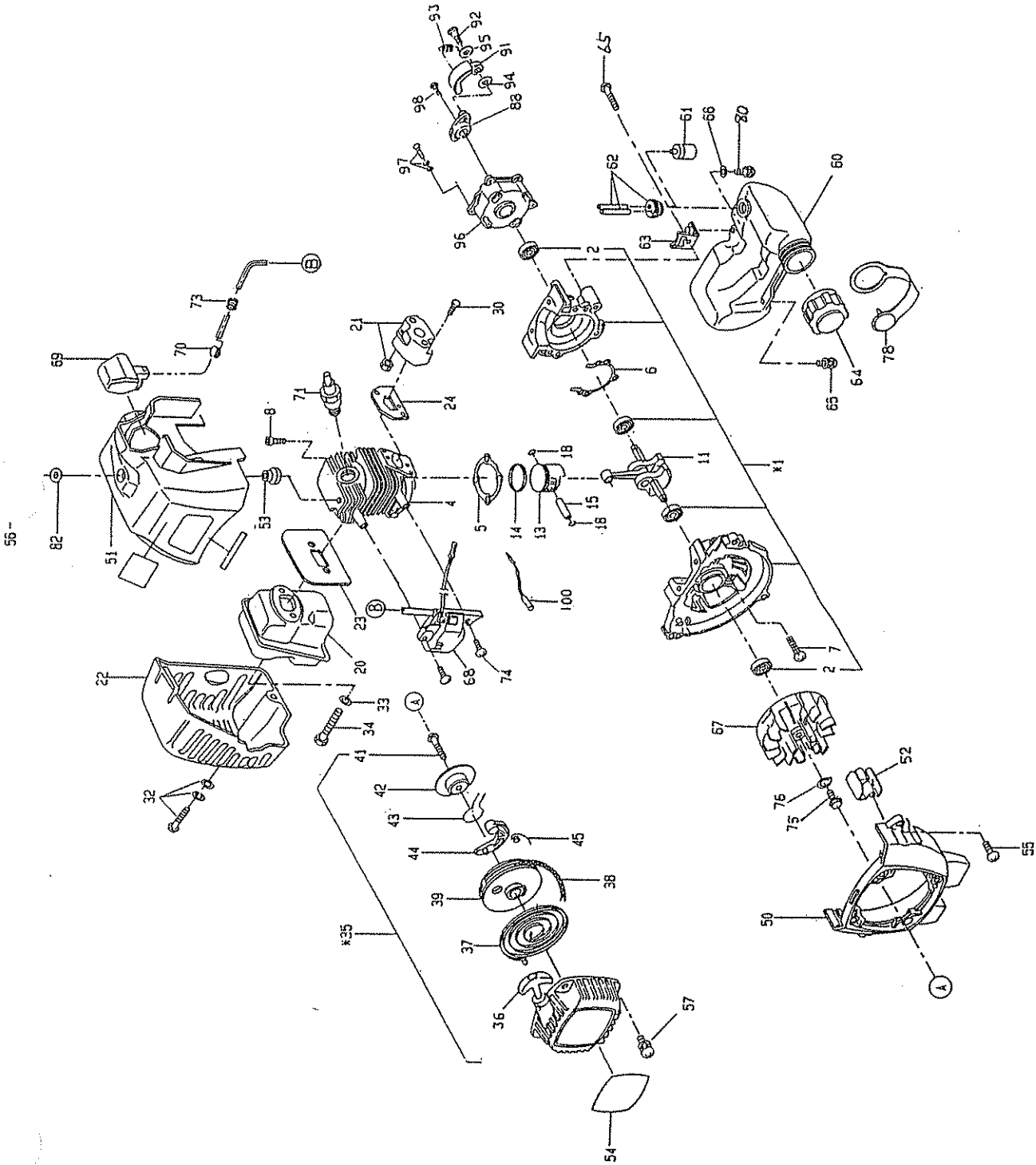
Machine Body

Model HT221

Ref. No.	Mfg.'s No.	Part Name	Our Part No.	Qty.	Ref. No.	Mfg.'s No.	Part Name	Our Part No.	Qty.
1	118-142	Front Handle	9366	1	39	118-111	Plate	9304	1
2	K055-060350	Bolt (M6x35 W SW PW)	6433	2	40	118-115	Throttle Lever	9306	1
3	027-142	Drum	5097	1	41	K280-002500	Snap Ring	9307	1
4	118-103	Upper Case	9318	1	42	118-112	Pin	9308	1
5	K162-050000	Flange Nut (M5)	9321	2	43	118-114	Spring	9309	1
6	K054-060150	Bolt (M6x15 W SW)	5060	2	44	118-113	Fixing Knob	9310	1
7	R055-001000	Grease Nipple	5096	1	45	K112-040100	Screw (M4x10)	9302	1
8	K354-060000	Bearing (#6000 2RS)	6422	1	46	118-121	Holder	9303	1
9	K351-006080	Bearing (#608Z)	9332	2	47	K017-040160	Screw (M4x16 W SW)	9312	5
10	K031-050100	Screw (M5x10)	6418	1	48	K017-040300	Screw (M4x30 W SW)	9313	1
11	118-102	Pinion	9325	1	49	K150-040000	Nut (M4)	4485	6
12	118-105	Gear Crank	9326	1	50	118-149	Rear Handle (R)	9372	1
13	118-100	Rod Assembly	9328	2	51	118-150	Rear Handle (L)	9373	1
14	K283-026000	Snap Ring	6412	1	52	A028-002039	Blade Cover	9374	1
15	118-143	Crank	6421	1					
16	K351-006080	Bearing (#608Z)	9332	1					
17	K010-030050	Screw (M3x5)	5030	2					
18	030-110	Rod Slide Plate	5031	1					
19	118-101	Felt	9333	1					
20	118-104	Lower Case	9335	1					
21	K054-050160	Bolt (M5x16 W SW)	9336	5					
22	K054-050200	Bolt (M5x20 W SW)	9337	2					
23	K150-060000	Nut (M6)	1290	2					
24	K164-060000	U-Nut (M6)	5069	4					
25	118-152	Protector CE (EURO) SPEC.	9367	1					
26	K031-050160	Screw (M5x16)	9336	2					
27	008-250	Washer	5028	4					
28	008-247	Bolt (M6x19)	5072	4					
29	118-126	Guide Plate	9323	1					
30	077-106	Upper Blade	9331	1					
31	077-107	Lower Blade	9334	1					
32	K055-060400	Bolt (M6x40 W SW PW)	9317	1					
33	K055-060500	Bolt (M6x50 W SW PW)	9315	1					
34	K150-060000	Nut (M6)	1290	1					
35	118-003	Rear Handle Assembly (Includes 36-51)	9368	1					
36	A005-044004	Switch	9369	1					
37	A003-010004	Spring	9370	1					
38	118-151	Lock Lever	9371	1					

Engine Body

Models HT221, HT600 & HT750



Engine Body

Models HT221, HT600 & HT750

Ref. No.	Mfg.'s No.	Part Name	Our Part No.	Qty.		Ref. No.	Mfg.'s No.	Part Name	Our Part No.	Qty.	
				HT221	HT600 HT750					HT221	HT600 HT750
1	5251003000	Crankcase Assembly (includes 2, 6)	6531	1	1	56	0140059490	Screw	6552	1	1
2	0440129970	Oil Seal	5447	2	2	57	0140059480	Screw Assembly	6553	4	4
4	5251500300	Cylinder	6532	1	1	60	5256500000	Tank, Fuel	6554	1	1
5	5231502304	Gasket, Cylinder	5405	1	1	61	5236503900	Filter	5370	1	1
6	5231502202	Gasket, Crankcase	5325	1	1	62	5256012001	Tube Assembly	6555	1	1
7	0140059520	Screw	5341	3	3	63	5256002000	Plate, Tank Complete	6556	1	1
8	0119059730	Socket Head Bolt M5x20W SW	5333	2	2	64	5316011000	Cap, Fuel Tank Assembly	6557	1	1
11	5252002001	Crankshaft Complete	6533	1	1	65	0043705160	Screw Assembly	3129	3	3
13	5212500700	Piston	6534	1	1	66	0031205000	Washer	1429	1	1
14	5982500000	Ring, Piston	1014	1	1	67	5257001010	Flywheel	6558	1	1
15	5212500801	Pin, Piston	6535	1	1	68	5257001020	Coil, Ignition	6559	1	1
18	0565089970	Clip	5330	2	2	69	5237503301	Cap, Plug	5354	1	1
20	5253010000-1	Muffler, Exhaust	6536	1	1	70	0654009931	Spring, Plug Cap	6169	1	1
21	5233014000	Insulator Complete	6537	1	1	71	0650149810	Plug, Spark	BM6A	1	1
22	5253500500	Cover, Muffler	6538	1	1	73	5257500300	Grommet	6560	1	1
23	5253500101	Gasket, Muffler	6539	1	1	74	0140049920	Screw M4x20	5351	2	2
24	5253500200	Gasket, Insulator	6540	1	1	75	0011306160	Bolt Assembly	6190	1	1
30	0140059500	Screw M5x25 W SW	8160	2	2	76	0031206000	Washer	1395	1	1
32	0043705160	Screw Assembly	3129	1	1	78	6255021001	Strap Unit	5444	1	1
33	0031005000	Washer	3702	2	2	80	0043505160	Screw Assembly	3129	1	1
34	0119059660	Socket Head Bolt	6541	2	2	82	020-00700-10	Washer	4729	1	1
35	5255001000	Starter, Rewind (Includes 36-45)	6542	1	1	88	6202500000	Holder	6483	1	1
36	5225004020	Starter Knob	7614	1	1	91	6252500800	Shoe, Clutch	6180	2	2
37	5025001020	Spiral Spring	6543	1	1	92	6252500400-1	Bolt, Clutch	6181	2	2
38	5235024022	Starter, Rope	6544	1	1	93	5238500500	Spring, Clutch	5446	1	1
39	5025001010	Reel	1601	1	1	94	0200089910	Washer	6486	2	2
41	5255001020	Set Screw	6545	1	1	95	6202500600	Washer	6354	2	2
42	5505001030	Friction Plate	1603	1	1	96	118-124	Spacer	9353	1	1
43	5105015050	Friction Spring	1024	1	1	97	0043605180	Screw Assembly M5x18 W SW	1707	4	4
44	5105015020	Ratchet	1023	1	1	98	6202006000	Bolt Assembly	1147	1	1
45	5105015060	Return Spring	1605	1	1	100	5607005000	Wire Complete (2)	6561	1	—
50	5255500001	Housing, Blower	6546	1	1						
51	5255500101	Cover, Cylinder	6547	1	1						
52	5215500300	Plate, Baffle	6548	1	1						
53	5503503001	Spacer, Cover	6549	1	1						
54	5259502200	Label, Model	6550	1	—						
54	5259502300	Label, Model	6551	—	1						
55	0043105160	Screw, Pan Head	3152	3	3						

Carburetor & Air Cleaner

Models HT221, HT600 & HT750

