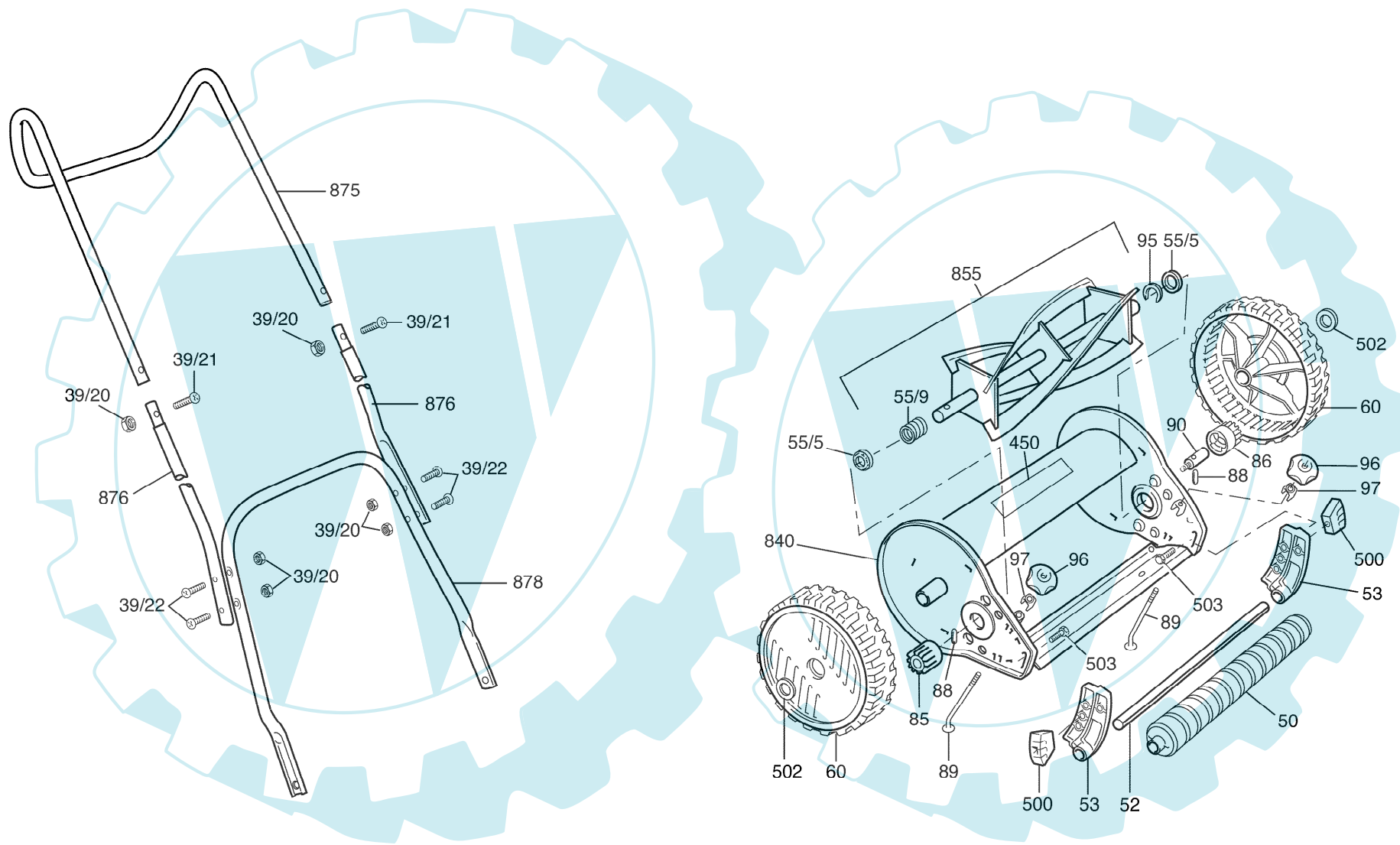


0 600 886 002

Issue }  
Stand } 00-11-30

**Fig.1/Abb.1**



Modifications reserved  
Änderungen vorbehalten  
Modifications reserves  
Salvo modificaciones