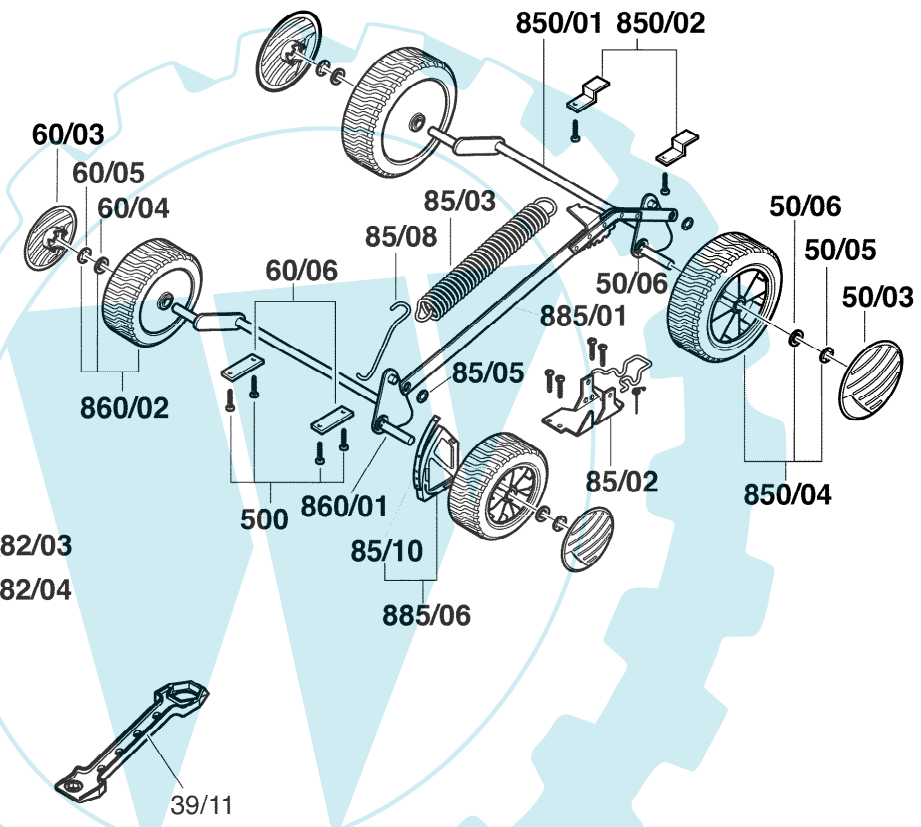
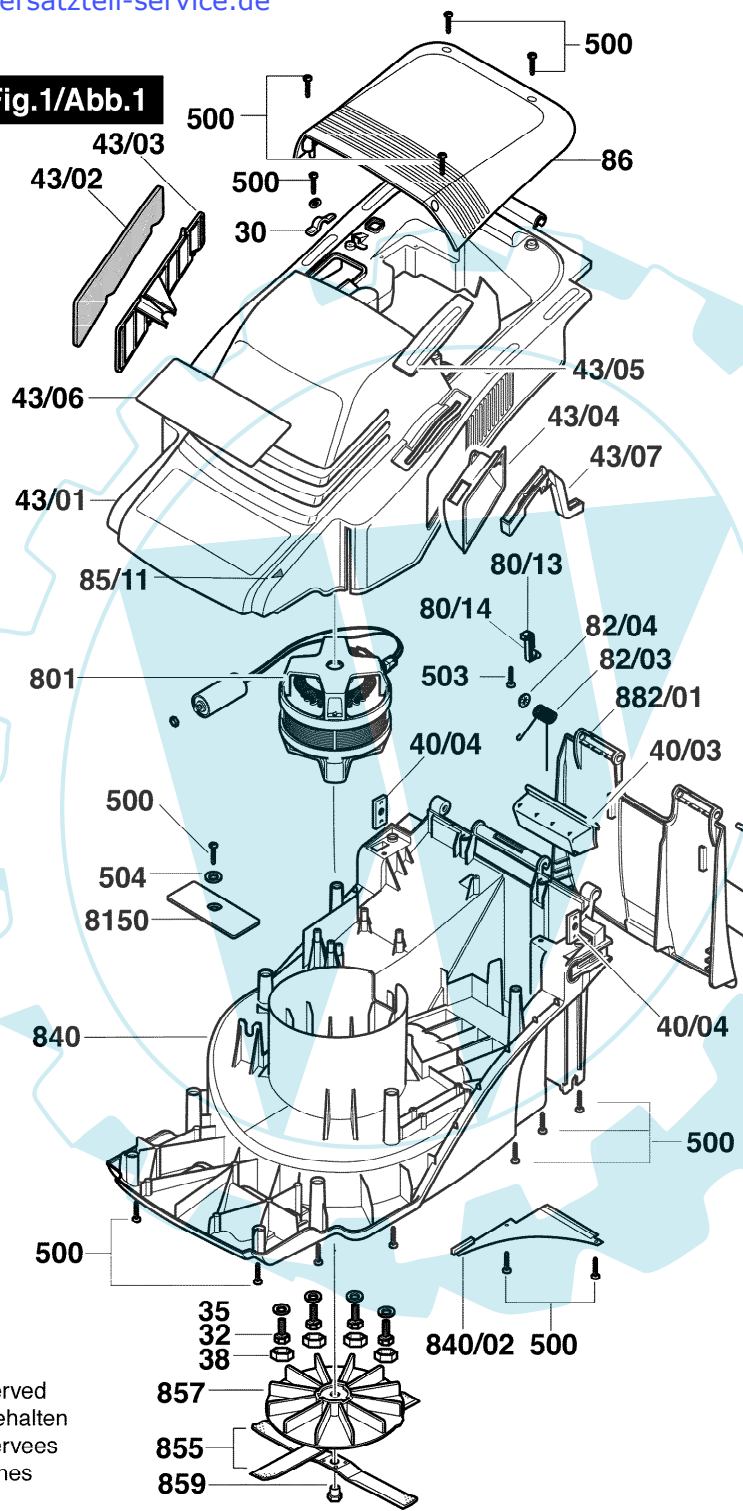


0 600 892 003

Issue } 00-3-20
Stand }

Fig.1/Abb.1



Modifications reserved
Anderungen vorbehalten
Modifications reserves
Salvo modificaciones

