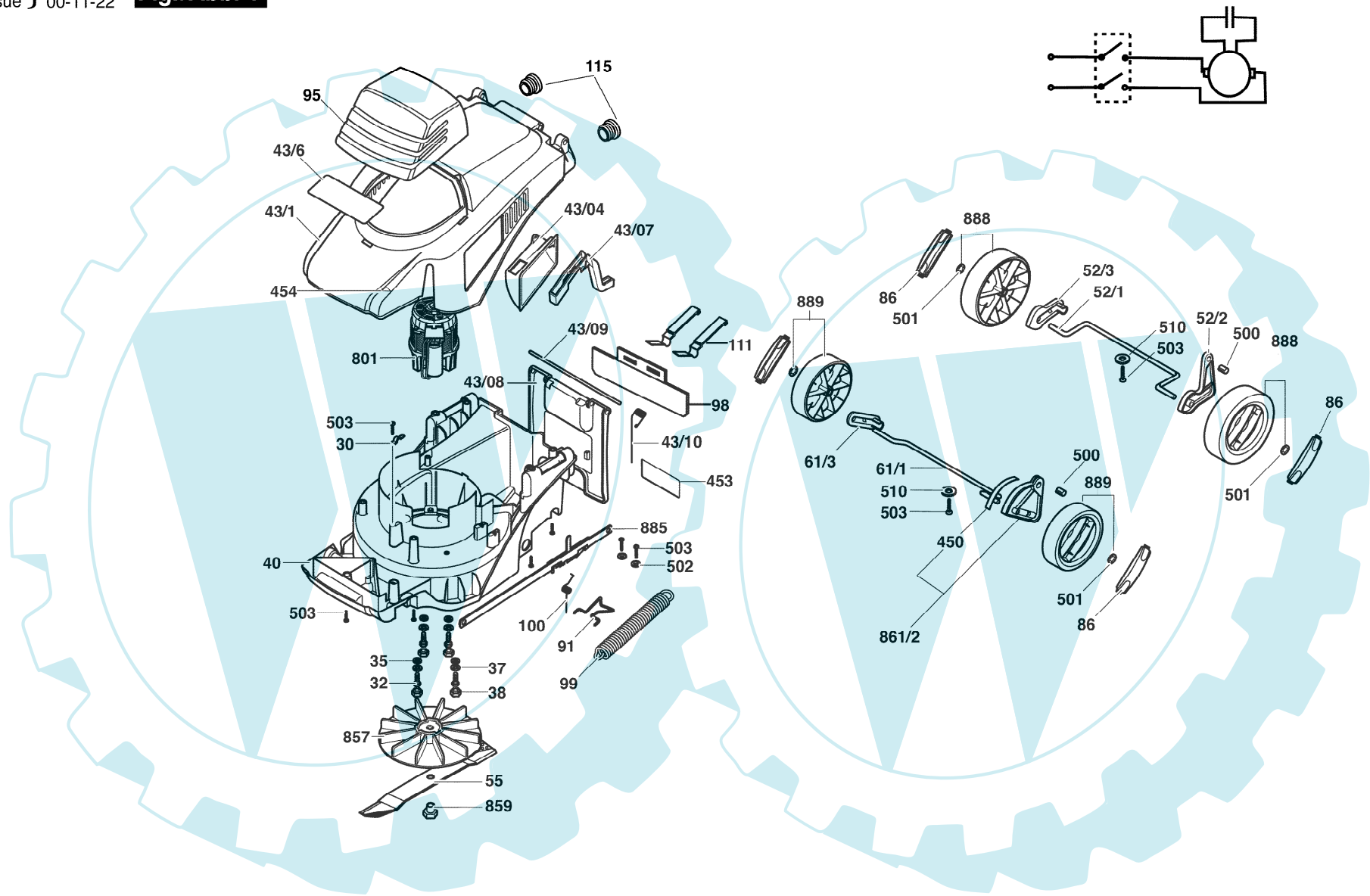


0 600 897 103

Stand 99-06

Issue 00-11-22

Fig./Abb. 1



Modifications reserved
Anderungen vorbehalten
Modifications reserves
Salvo modificaciones