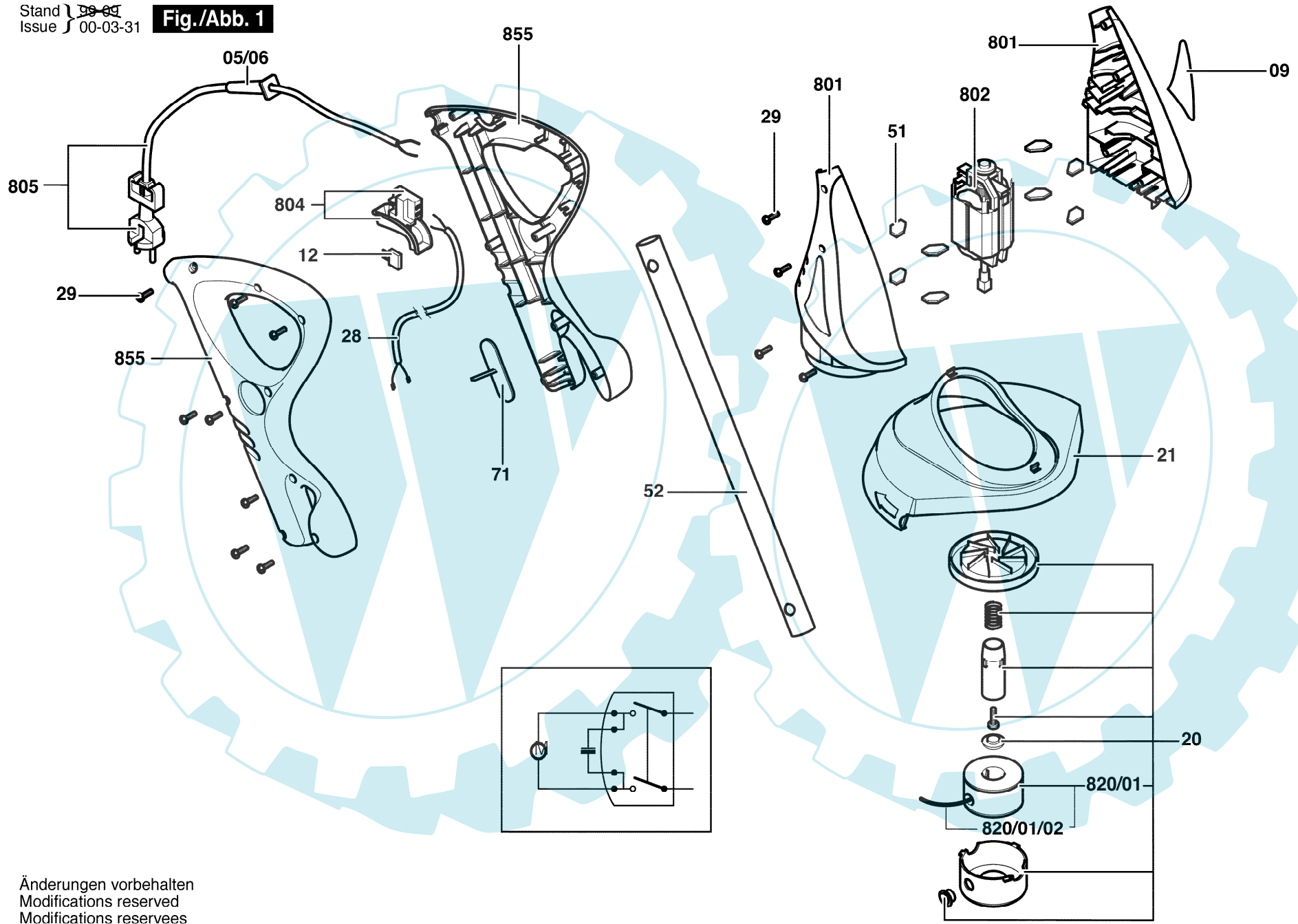


0 600 827 103

Stand } ~~99-01~~
Issue } 00-03-31

Fig./Abb. 1



Änderungen vorbehalten
Modifications reserved
Modifications reserves
Salvo modificaciones