



BSP4500LA

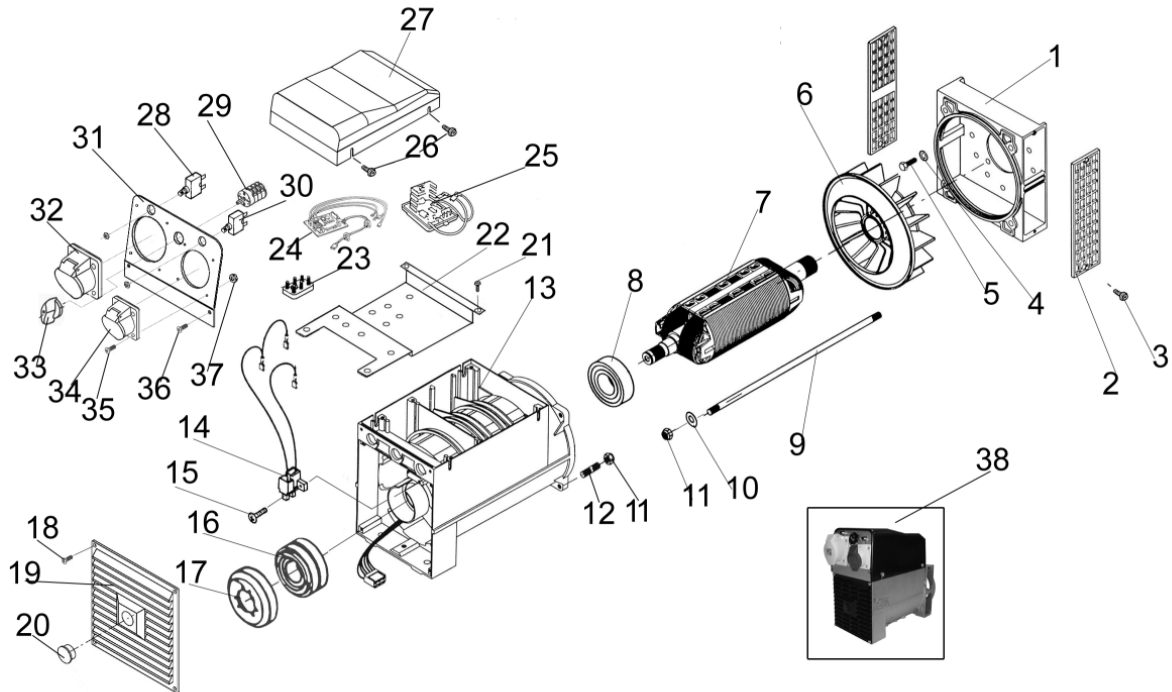
PARTS LIST



Model No. HPP1631-0 BSP4500LA
Manual No. 102412GS Rev 0



Alternator with Outlet Panel

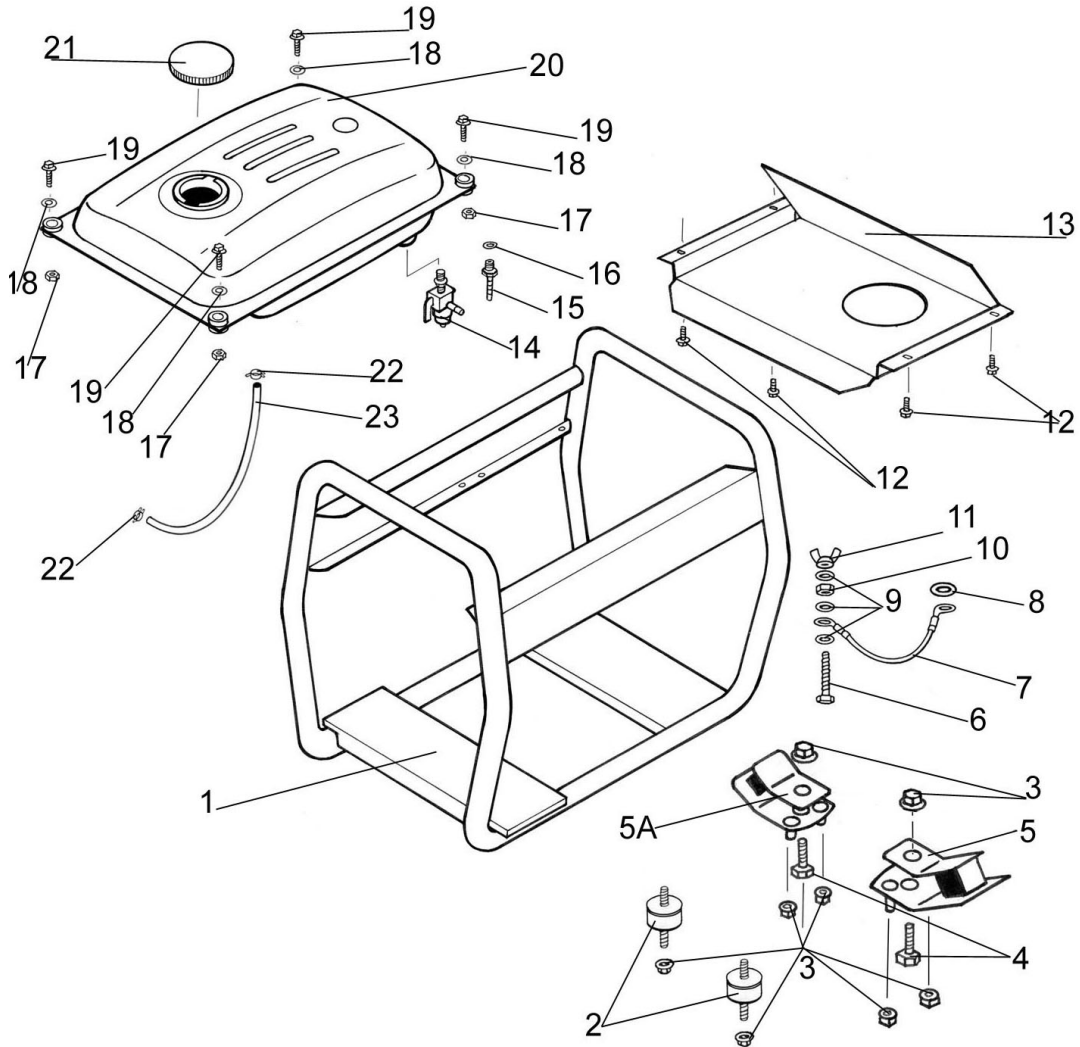


ITEM	PART ID	PART DESCRIPTION	QTY
1	102138GS	FLANGE PLATE	1
2	102139GS	SIDE GRILL (PLASTIC)	2
3	102087GS	SCREW MC PPHD M5*10MM	4
4	102099GS	WASHER LOCK M10/ 3/8 OXY BLACK	4
5	102098GS	SCREW CAP 3/8" UNC X 1"	4
6	102073GS	ROTOR FAN SINCRO	1
7	102232GS	ROTOR ASSEMBLY BB07-A AVR	1
8	102038GS	ROTOR BEARING	1
9	102160GS	ROTOR BOLT 265MM M8	1
10	102020GS	WASHER FLAT M8 & 5/16"	1
11	102017GS	NUT NYLOCK M8-1.25 TYPE T	5
12	102131GS	STUD M8	4
13	102233GS	STATOR ASSEMBLY BB07 AVR	1
14	102240GS	BRUSH ASSEMBLY	1
15	102241GS	SCREW MACHINE M4-0.7*12MM	1
16	102242GS	SLIP RING ASSEMBLY	1
17	102243GS	SLIP RING COVER	1
18	102087GS	SCREW MC PPHD M5*10MM	4
19	102407GS	BLANK PANEL	1
20	102085GS	END CAP PLASTIC (OUTLET PANEL)	1
21	102236GS	SCREW MC PPHD M6*10MM	6
22	102234GS	SUPPORT PLATE	1
23	102237GS	TERMINAL BLOCK ET AVR	1
24	102238GS	SYSTEM CONTROL BOARD	1
25	102239GS	POWER MODULE	1
26	102235GS	SCREW MACHINE PPHD M6-1.0X15MM	4
27	102245GS	COVER ALTERNATOR LOW PROFILE	1
28	102289GS	CIRCUIT BREAKER 30A	1
29	102411GS	SWITCH CHANGE OVER 115/230V	1
30	102133GS	CIRCUIT BREAKER 15A	1
31	102405GS	TOP BOX BLANK FRONT PANEL ALUMINIUM	1
32	102406GS	SOCKET OUTLET 32A 115V	1
33	102374GS	KNOB SWITCH 2 POSITION	1
34	102340GS	SOCKET OUTLET 16A 230V	1
35	102291GS	SCREW MACHINE PPHD M4*20MM	8
36	102292GS	SCREW MACHINE PPHD M5*8MM	2
37	102334GS	NUT NYLOCK M4	8
38	102247GS	ALTERNATOR SINCRO 4KVA AVR	1

Model No. HPP1631-0



Frame, Fuel Tank, Fittings, Mounts and EPA



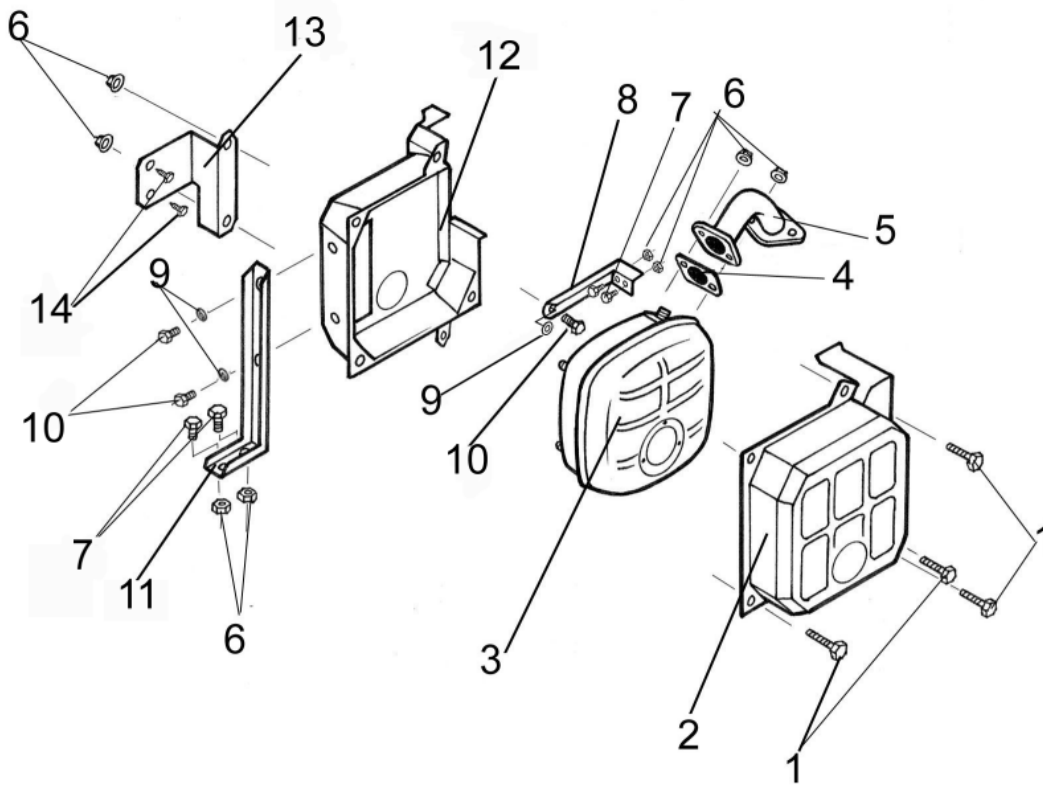
ITEM	PART ID	PART DESCRIPTION	QTY
1	102223GS	CRADLE PP4500L	1
2	102034GS	VIBRATION MOUNT 32MM DIAMETER	2
3	102029GS	NUT FLANGE M8-1.25	8
4	102026GS	SCREW SET	2
5	102031GS	VIBRATION MOUNT 45 DEGREE HARD	1
5A	102033GS	VIBRATION MOUNT 45 DEGREE SOFT	1
6	102037GS	SCREW SET M6-1.0X25MM PLATED	1
7	102050GS	LEAD EARTH ASSY 145MM	1
8	102024GS	WASHER SHAKEPROOF M8 INT	1
9	102021GS	WASHER SHAKEPROOF 1/4" & M6 INT	3
10	102028GS	NUT FULL M6-1.0	1
11	102036GS	NUT WING M6-1.0	1
12	102165GS	SCREW SELFTAP 5.5*1.8*13MM	4
13	102224GS	HEAT SHIELD	1
14	102045GS	VALVE FUEL	1
15	102225GS	HOSE TAIL CONNECTOR	1
16	102226GS	DOWTY BONDED SEAL	1
17	102032GS	NUT LOCKING FLANGE M6-1.0MM	4
18	102042GS	WASHER REPAIR 6X20 OXY BLACK	4
19	102037GS	SCREW SET M6-1.0X25MM PLATED	4
20	102044GS	TANK FUEL METAL	1
21	102090GS	FUEL CAP	1
22	102047GS	CLAMP HOSE 1/4" ID	2
23	102025GS	HOSE FUEL 1/4"ID SAE J30R7	1

Model No. HPP1631-0

PAGE 3 OF 6



Exhaust & Fittings



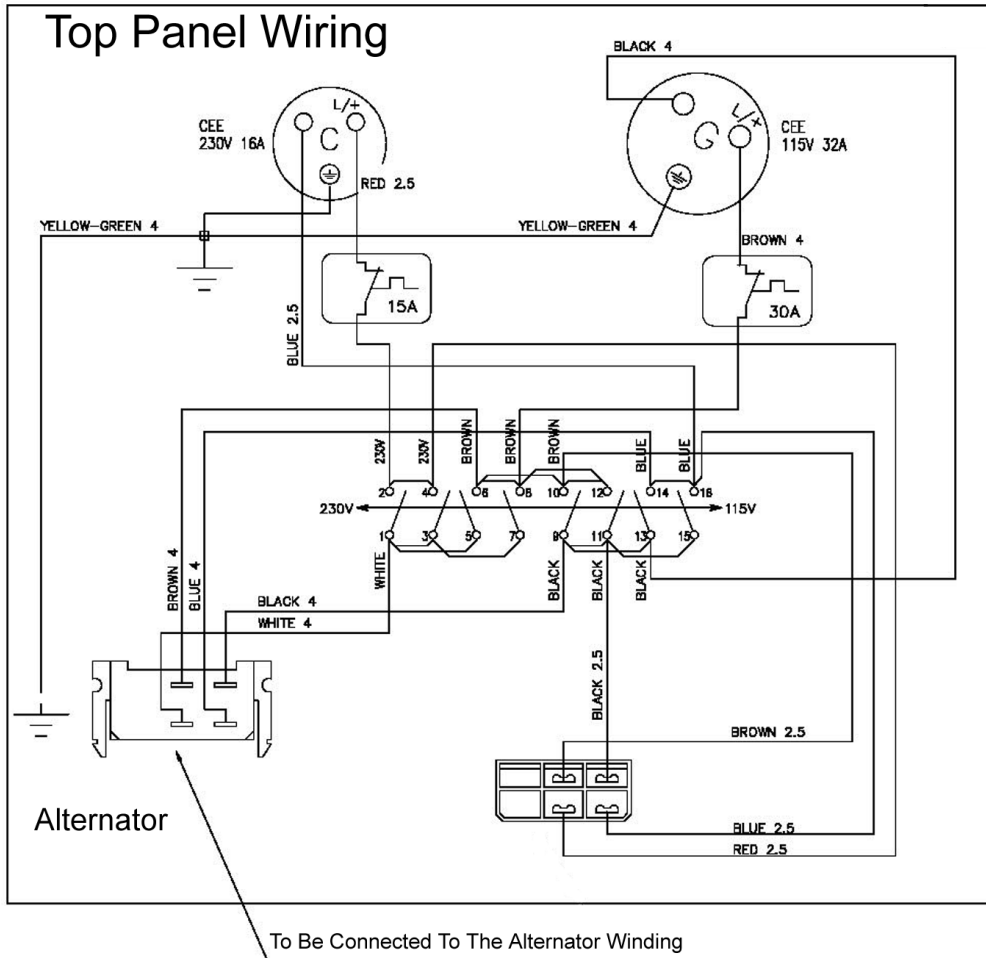
ITEM	PART ID	PART DESCRIPTION	QTY
1	710074	SCREW M6	4
2	710791	GUARD EXHAUST FRONT	1
3	102398GS	MUFFLER	1
4	102304GS	GASKET	1
5	102409GS	MANIFOLD	1
6	102029GS	NUT FLANGE M8-1.25	6
7	102229GS	SCREW MACHINE HDD M8-1.25*16MM	4
8	102265GS	BRACKET EXHAUST GUARD	1
9	102021GS	WASHER SHAKEPROOF 1/4" & M6 INT	3
10	102027GS	SCREW SET HDD M6-1.0*12MM	3
11	102228GS	BRACKET EXHAUST GUARD MOUNTING	1
12	710792	GUARD EXHAUST (REAR)	1
13	102266GS	BRACKET EXHAUST MOUNTING	1
14	102166GS	SCREW SELF DRILL #8*12.7 PPHD	2

Model No. HPP1631-0

PAGE 4 OF 6



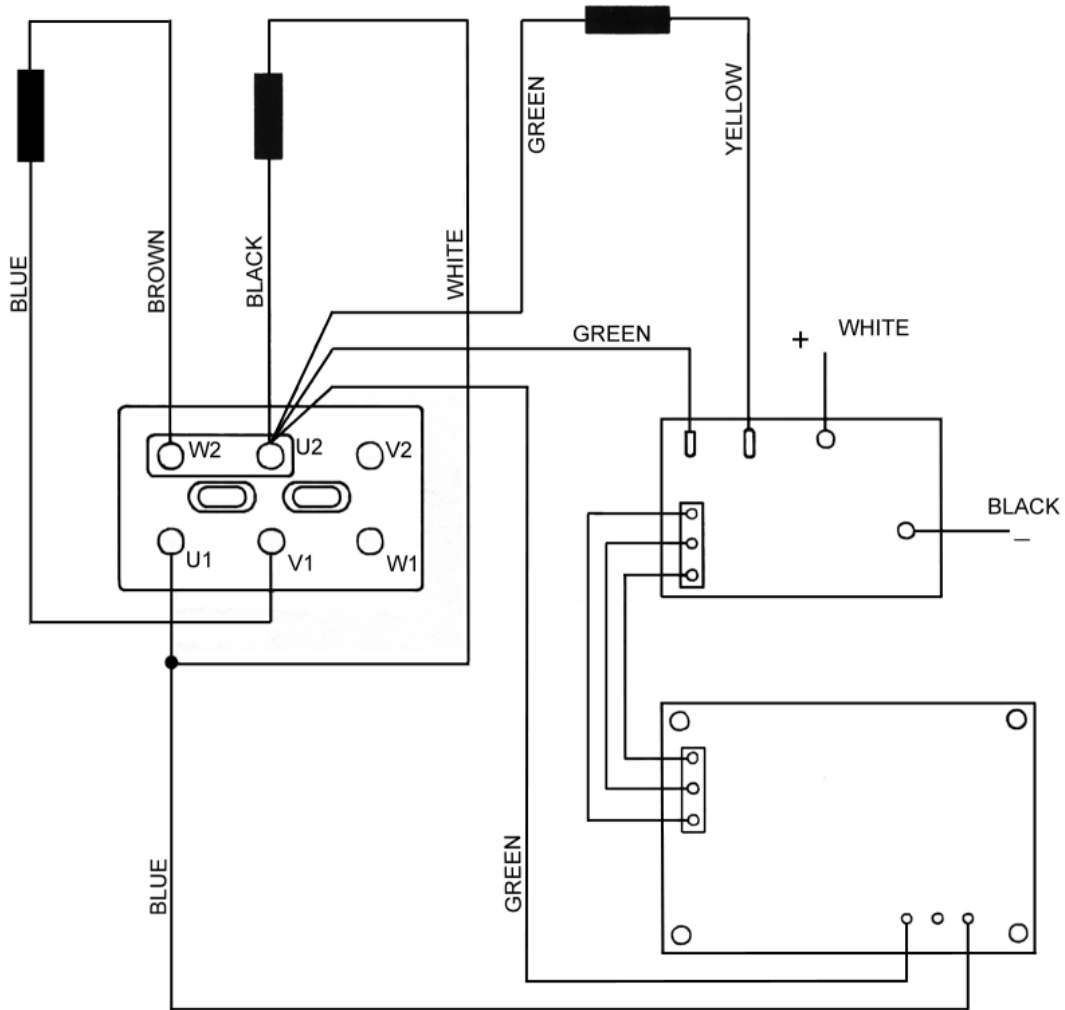
Panel Wiring Diagram



RESISTANCE VALUES AT 20 °C
 ROTOR 13.4 OHMS
 POWER 1.2 OHMS
 EXCITATION 3.7 OHMS



AVR Wiring Diagram



Decal & Manual Items *Not Shown

PART ID	PART DESCRIPTION	QTY
102077GS	DECAL WARNING READ MANUAL	1
102048GS	DECAL GND	1
102076GS	DECAL ELECTRICAL HAZARD	1
102041GS	DECAL CAUTION HOT	1
102230GS	DECAL BSP4500 B&S 590X90MM	2
102248GS	DECAL LA/LONG-RUN, AVR TRIANGLE	2
102065GS	MANUAL OWNERS BS2012	1

Model No. HPP1631-0