



BSP5000-3

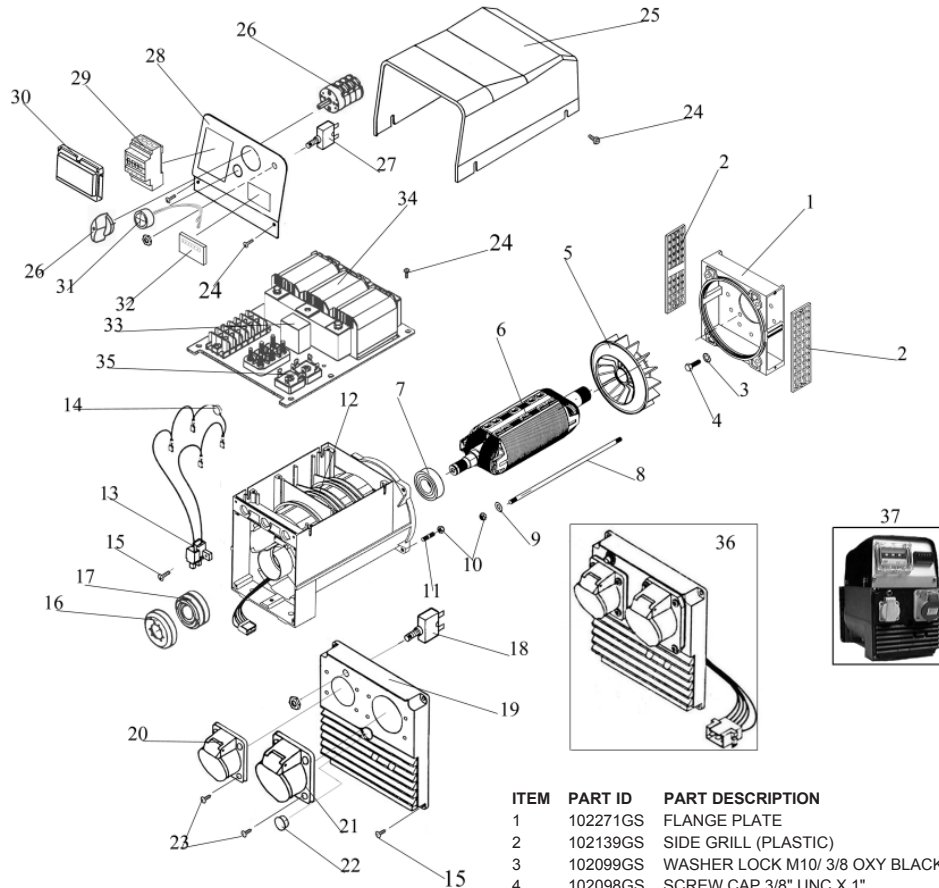
PARTS LIST



Model No. HPP1610-0 BSP5000-3
Manual No. 102354GS Rev 0



Alternator with Outlet Panel

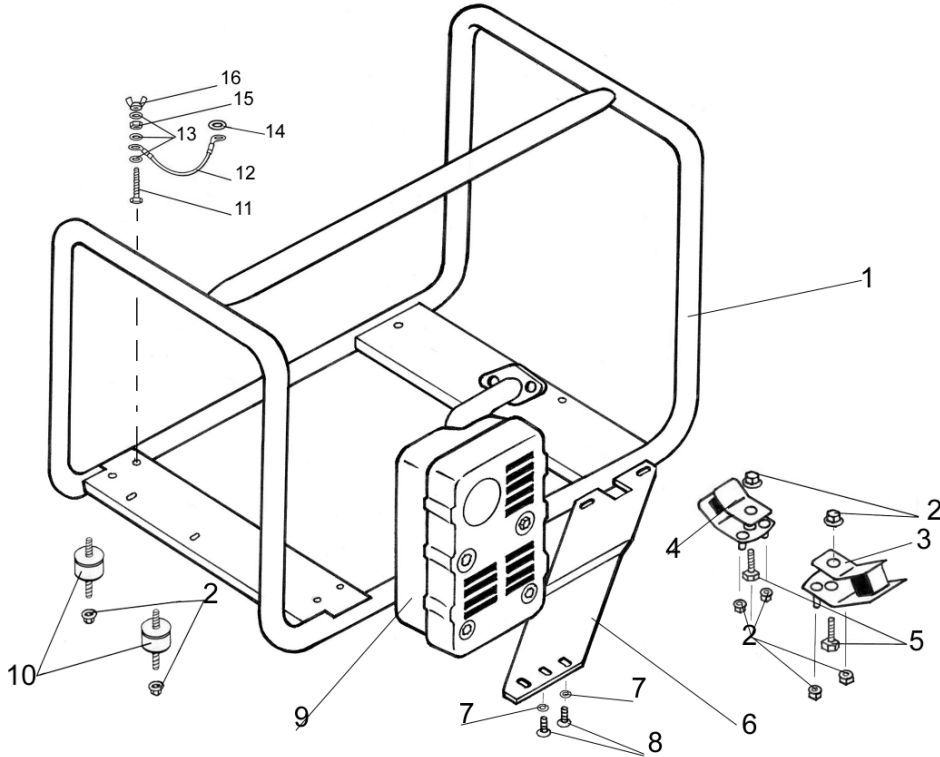


ITEM	PART ID	PART DESCRIPTION	QTY
1	102271GS	FLANGE PLATE	1
2	102139GS	SIDE GRILL (PLASTIC)	2
3	102099GS	WASHER LOCK M10/ 3/8 OXY BLACK	4
4	102098GS	SCREW CAP 3/8" UNC X 1"	4
5	102073GS	ROTOR FAN SINCRO	1
6	102336GS	ROTOR ASSEMBLY AK14 ALTERNATOR 3 PH	1
7	102038GS	ROTOR BEARING	1
8	102160GS	ROTOR BOLT 225MM M8-1.25	1
9	102020GS	WASHER FLAT M8	1
10	102017GS	NUT NYLOCK M8-1.25	5
11	102131GS	STUD M8*30MM	4
12	102337GS	STATOR ASSY ET4 3PHASE	1
13	102240GS	BRUSH ASSEMBLY	1
14	102338GS	VARISTOR, SINCRO 3PH FOR BRIDGE RECTIFIER	1
15	102087GS	SCREW MACHINEM5*10MM	4
16	102243GS	SLIP RING COVER	1
17	102242GS	SLIP RING ASSEMBLY	1
18	102132GS	CIRCUIT BREAKER 10A	1
19	102339GS	OUTLET PANEL BLANK SINCRO 3 PHASE	1
20	102340GS	SOCKET OUTLET 16A 230V	1
21	102341GS	SOCKET OUTLET 16A 230/415V	1
22	102085GS	END CAP PLASTIC (OUTLET PANEL)	1
23	102237GS	SCREW SELF TAP 4.8*1.6*16MM	8
24	102292GS	SCREW MACHINE M5*8MM	10
25	102287GS	COVER TOP BOX	1
26	102342GS	SWITCH ROTORY SINCRO 3PHASE	1
27	102343GS	CIRCUIT BREAKER 3A	1
28	102344GS	PANEL ASSY TOP BOX (ALUMINIUM)	1
29	102345GS	CIRCUIT BREAKER ASSY SINCRO 3PHASE	1
30	102346GS	COVER CLEAR PLASTIC (CIRCUIT BREAKERS)	1
31	102347GS	LAMP HOLDER ASSY SINCRO 3 PHASE	1
32	102348GS	VOLTMETER 360-440V L.E.D. TYPE	1
33	102349GS	FILTER ASSY (WAVE FORM)	1
34	102350GS	TRANSFORMER ASSY COMPOUND SINCRO 3PHASE	1
35	102161GS	BRIDGE RECTIFIER	2
36	102351GS	OUTLET PANEL COMPLETE (WITH FLY LEAD)ET 3PHASE	1
37	102352GS	ALTERNATOR SINCRO ET4.0 3/1PHASE 4KVA	1

Model No. HPP1610-0



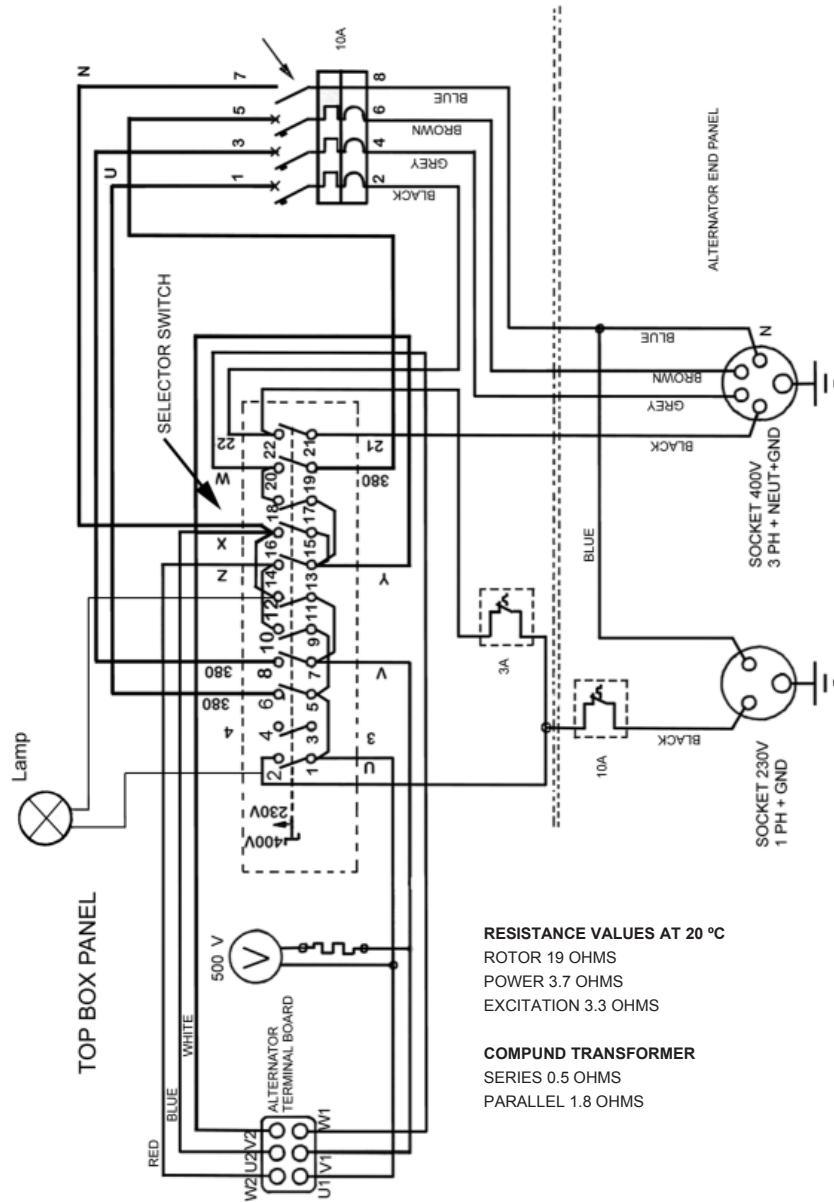
Frame Mounts and EPA



ITEM	PART ID	PART DESCRIPTION	QTY
1	102253GS	CRADLE	1
2	102029GS	NUT FLANGE M8-1.25	8
3	102033GS	VIBRATION MOUNT 45 DEGREE SOFT	1
4	102031GS	VIBRATION MOUNT 45 DEGREE HARD	1
5	102026GS	SCREW SET	2
6	102254GS	BRACKET EXHAUST MOUNTING	1
7	102018GS	WASHER SPRING M6 & 1/4"	2
8	102027GS	SCREW SET HHD M6-1.0*12MM	2
9	102255GS	MUFFLER INTEK 8	1
10	102034GS	VIBRATION MOUNT 32MM DIAMETER	2
11	102037GS	SCREW SET M6-1.0X25MM PLATED	1
12	102050GS	LEAD EARTH ASSY 145MM	1
13	102021GS	WASHER SHAKEPROOF 1/4" & M6 INT	3
14	102024GS	WASHER SHAKEPROOF M8 INT	1
15	102028GS	NUT FULL M6-1.0	1
16	102036GS	NUT WING M6-1.0	1



Wiring Diagram



Decal & Manual Items *Not Shown

PART ID	PART DESCRIPTION	QTY
102048GS	DECAL GND	1
102077GS	DECAL WARNING READ MANUAL	1
102076GS	DECAL ELECTRICAL HAZARD	1
102256GS	TAPE ADD OIL WARNING	1
102041GS	DECAL CAUTION HOT	1
102257GS	DECAL BSP5000 B & S 400 X 80MM	1
102353GS	DECAL 3 PHASE TRIANGLE	1
102065GS	MANUAL OWNERS BS2012	1

Model No. HPP1610-0

PAGE 4 OF 4