



BSP5500LEA

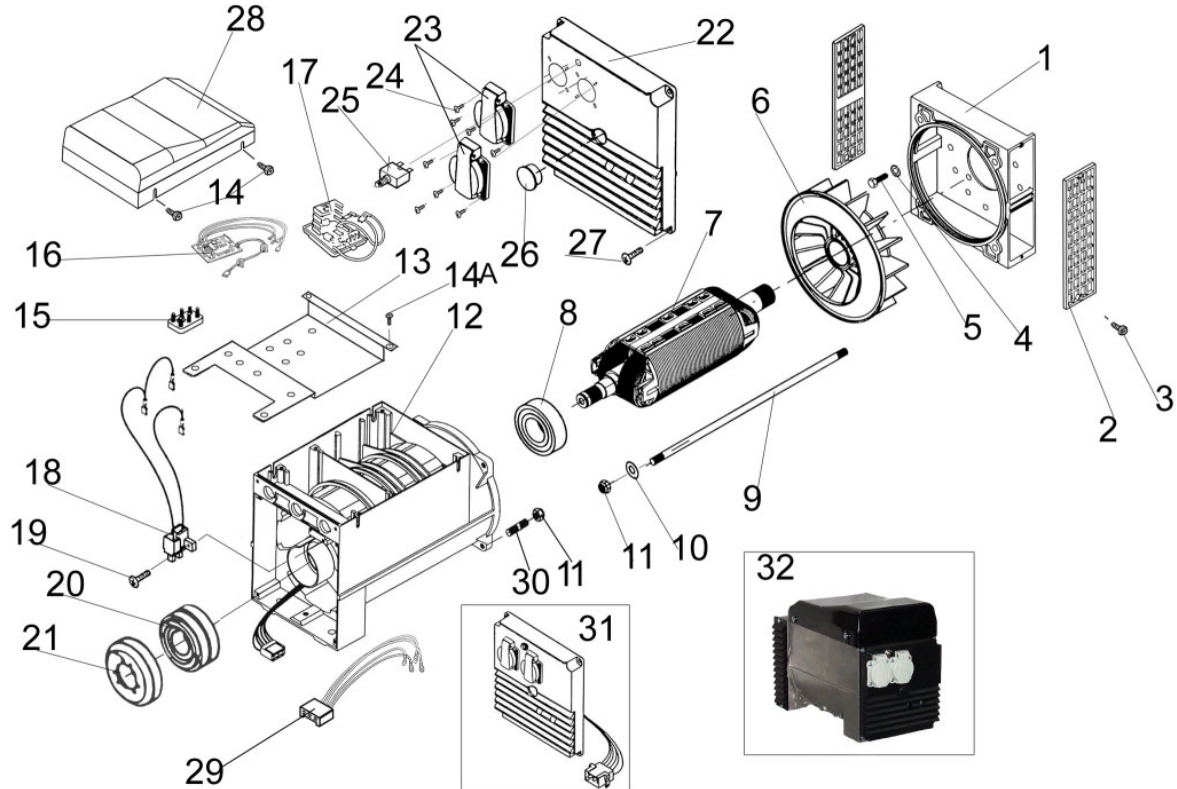
PARTS LIST



Model No. HPP1607-0 BSP5500LEA
Manual No. 102276GS Rev 0



Alternator with Outlet Panel



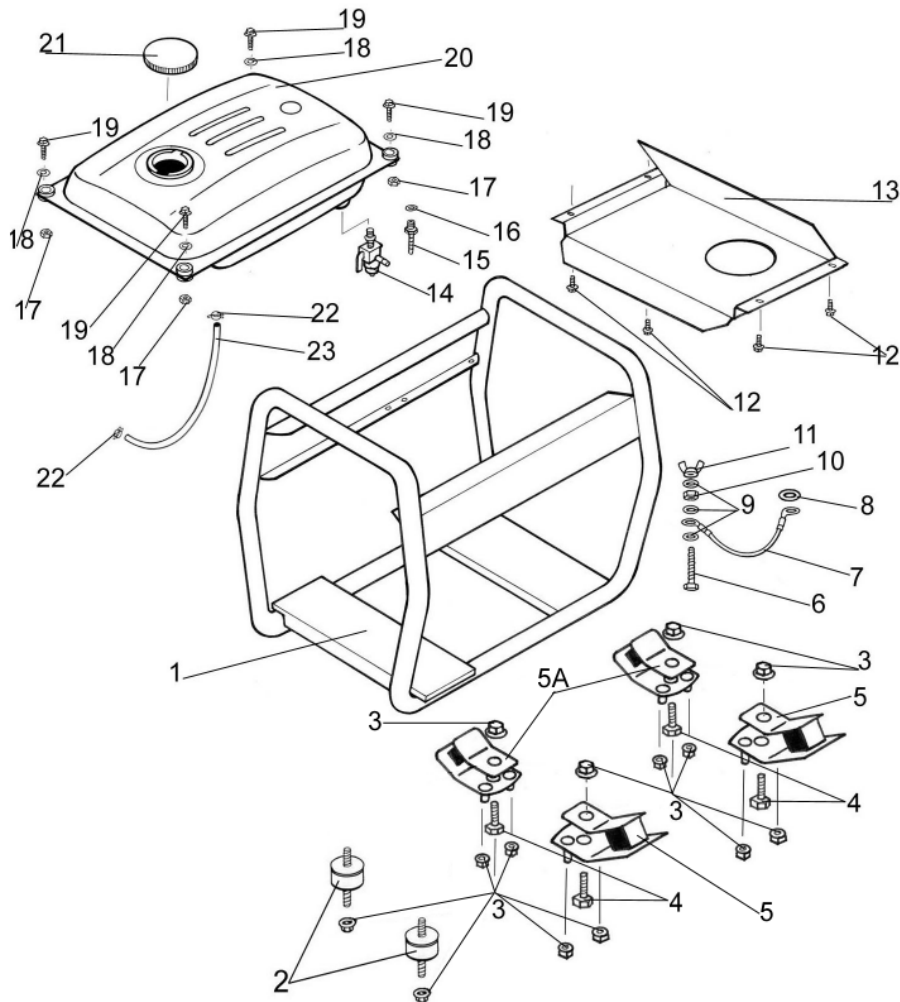
ITEM	PARTID	PARTDESCRIPTION	QTY
1	102271GS	FLANGE PLATE	1
2	102139GS	SIDE GRILL (PLASTIC)	2
3	102087GS	SCREW MC PPHD M5*10MM	4
4	102099GS	WASHER LOCK M10/ 3/8 OXY BLACK	4
5	102098GS	SCREW CAP 3/8" UNC X 1"	4
6	102073GS	ROTOR FAN SINCRO	1
7	102272GS	ROTOR 5KVA AVR ALTERNATOR	1
8	102038GS	ROTOR BEARING	1
9	102160GS	ROTOR BOLT 265MM M8-1.25*16MM+5/16"UNF*9/16"	1
10	102020GS	WASHER FLAT M8 & 5/16"	1
11	102017GS	NUT NYLOCK M8-1.25 TYPE T	5
12	102273GS	STATOR 5KVA AVR ALTERNATOR	1
13	102234GS	SUPPORT PLATE	1
14	102235GS	SCREW MC PPHD M6*15MM	4
14A	102236GS	SCREW MC PPHD M6*10MM	6
15	102237GS	TERMINAL BLOCK ET AVR	1
16	102238GS	SYSTEM CONTROL BOARD	1
17	102239GS	POWER MODULE	1
18	102240GS	BRUSH ASSEMBLY	1
19	102241GS	SCREW MACHINE M4-0.7*12MM	1
20	102242GS	SLIP RING ASSEMBLY	1
21	102243GS	SLIP RING COVER	1
22	102075GS	OUTLET PANEL BLANK	1
22	102075GS	OUTLET PANEL BLANK	1
23	102030GS	SOCKET OUTLET	2
24	102040GS	SCREW PLASTITE PPHD NO6 * 3/8"	8
25	102261GS	CIRCUIT BREAKER 20A	1
26	102085GS	END CAP PLASTIC (OUTLET PANEL)	1
27	102087GS	SCREW MC PPHD M5*10MM	4
28	102245GS	COVER ALTERNATOR LOW PROFILE	1
29	102246GS	WIRING HARNESS AVR TO PANEL	1
30	102131GS	STUD M8*30MM	4
31	102222GS	OUTLET PANEL ASSY	1
31	102222GS	OUTLET PANEL ASSY	1
32	102274GS	ALTERNATOR SINCRO 5KVA AVR	1

Model No. HPP1607-0

PAGE 2 OF 7



Frame, Fuel Tank, Fittings, Mounts and EPA



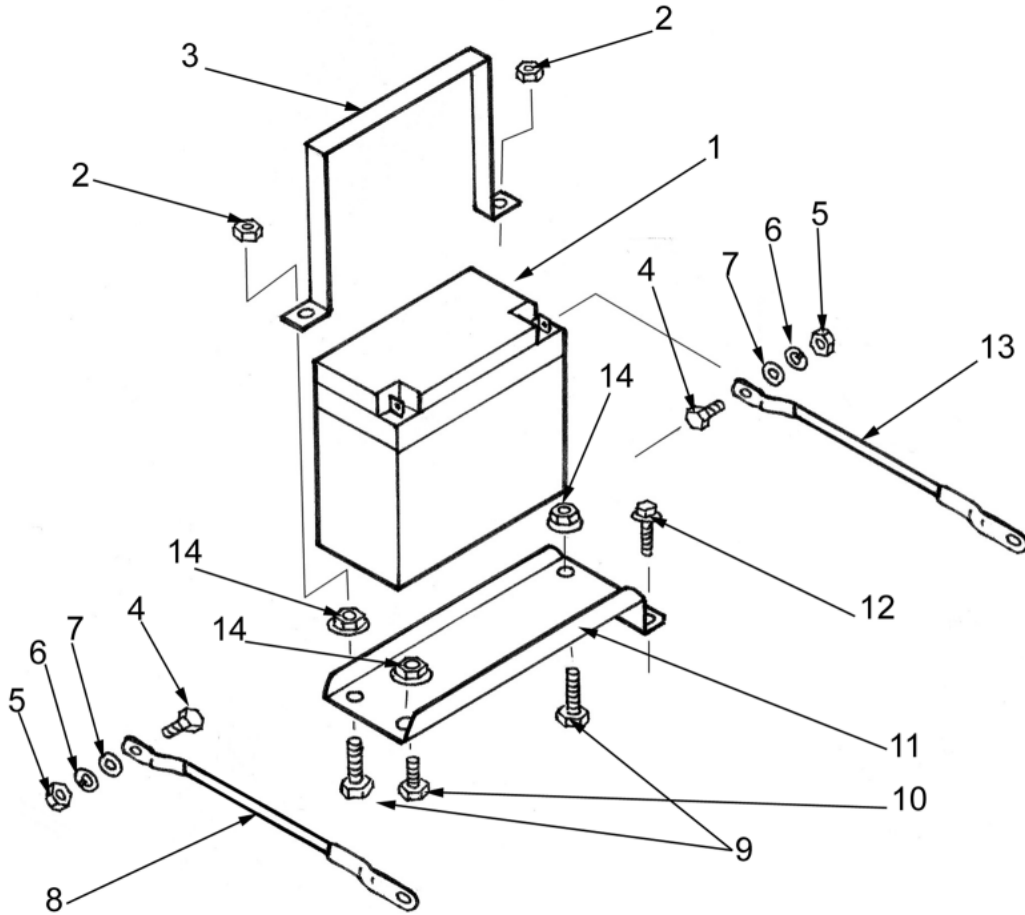
ITEM	PART ID	PART DESCRIPTION	QTY
1	102223GS	CRADLE PP4500L	1
2	102034GS	VIBRATION MOUNT 32MM DIAMETER	2
3	102029GS	NUT FLANGE M8-1.25	16
4	102264GS	BOLT M8-1.25*40MM	4
5	102031GS	VIBRATION MOUNT 45 DEGREE HARD	2
5A	102033GS	VIBRATION MOUNT 45 DEGREE SOFT	2
6	102037GS	SCREW SET M6-1.0X25MM PLATED	1
7	102050GS	LEAD EARTH ASSY 145MM	1
8	102024GS	WASHER SHAKEPROOF M8 INT	1
9	102021GS	WASHER SHAKEPROOF 1/4" & M6 INT	3
10	102028GS	NUT FULL M6-1.0	1
11	102036GS	NUT WING M6-1.0	1
12	102165GS	SCREW SELFTAP 5.5*1.8*13MM	4
13	102224GS	HEAT SHIELD	1
14	102045GS	VALVE FUEL	1
15	102225GS	HOSE TAIL CONNECTOR	1
16	102226GS	DOWTY BONDED SEAL	1
17	102032GS	NUT LOCKING FLANGE M6-1.0MM	4
18	102042GS	WASHER REPAIR 6X20 OXY BLACK	4
19	102037GS	SCREW SET M6-1.0X25MM PLATED	4
20	102044GS	TANK FUEL METAL	1
21	102090GS	FUEL CAP	1
22	102047GS	CLAMP HOSE 1/4" ID	2
23	102025GS	HOSE FUEL 1/4"ID SAE J30R7	1

Model No. HPP1607-0

PAGE 3 OF 7



Battery



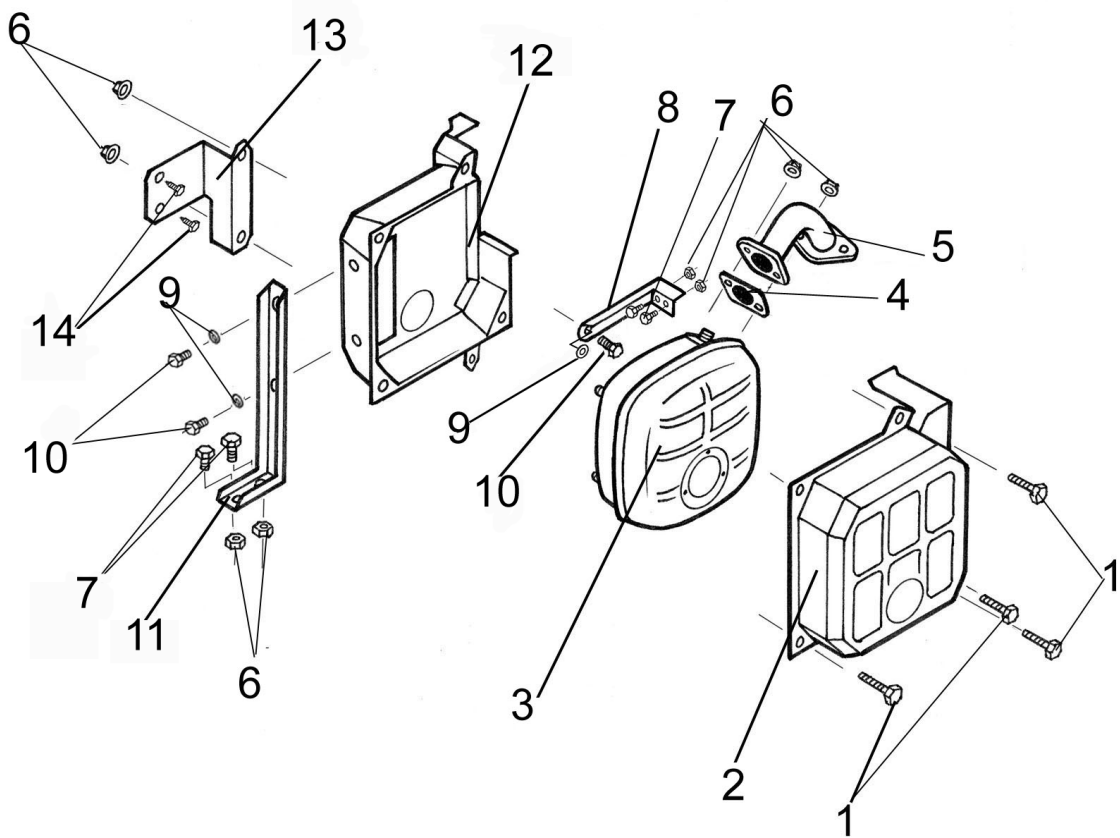
ITEM	PART ID	PART DESCRIPTION	QTY
1	102312GS	BATTERY SEALED	1
2	102017GS	NUT NYLOCK M8	2
3	102313GS	BATTERY STRAP PPD5000E	1
4	102114GS	SCREW M5	2
5	102116GS	NUT FULL M5	2
6	102022GS	WASHER FLAT M5	2
7	102115GS	WASHER SHAKEPROOF M5	2
8	102314GS	BATTERY LEAD -VE350MM	1
9	102308GS	SCREW SET M8*30MM	2
10	102229GS	SCREW MACHINE M8*16MM	1
11	102315GS	BATTERY TRAY	1
12	102166GS	SCREW SELF DRILL #8*12.7 PPHD	1
13	102316GS	BATTERY LEAD +VE 500MM	1
14	102029GS	NUT FLANGE M8-1.25	3

Model No. HPP1607-0

PAGE 4 OF 7



Exhaust & Fittings



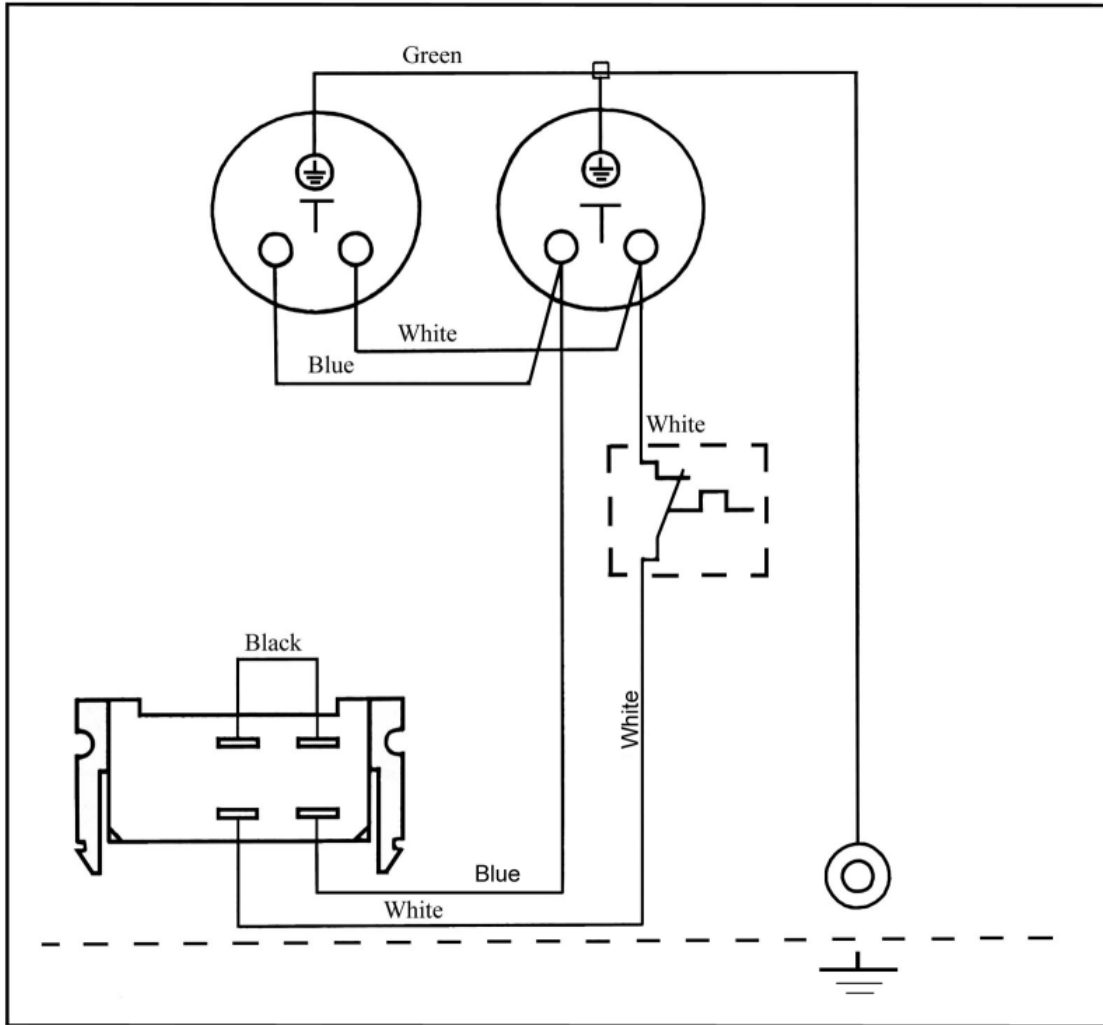
ITEM	PART ID	PART DESCRIPTION	QTY
1	710074	SCREW M6	4
2	710791	GUARD EXHAUST FRONT	1
3	102398GS	MUFFLER	1
4	102304GS	GASKET	1
5	102409GS	MANIFOLD	1
6	102029GS	NUT FLANGE M8-1.25	6
7	102229GS	SCREW MACHINE HHD M8-1.25*16MM	4
8	102265GS	BRACKET EXHAUST GUARD	1
9	102021GS	WASHER SHAKEPROOF 1/4" & M6 INT	3
10	102027GS	SCREW SET HHD M6-1.0*12MM	3
11	102228GS	BRACKET EXHAUST GUARD MOUNTING	1
12	710792	GUARD EXHAUST (REAR)	1
13	102266GS	BRACKET EXHAUST MOUNTING	1
14	102166GS	SCREW SELF DRILL #8*12.7 PPHD	2

Model No. HPP1607-0

PAGE 5 OF 7



Panel Wiring Diagram



RESISTANCE VALUES AT 20 °C

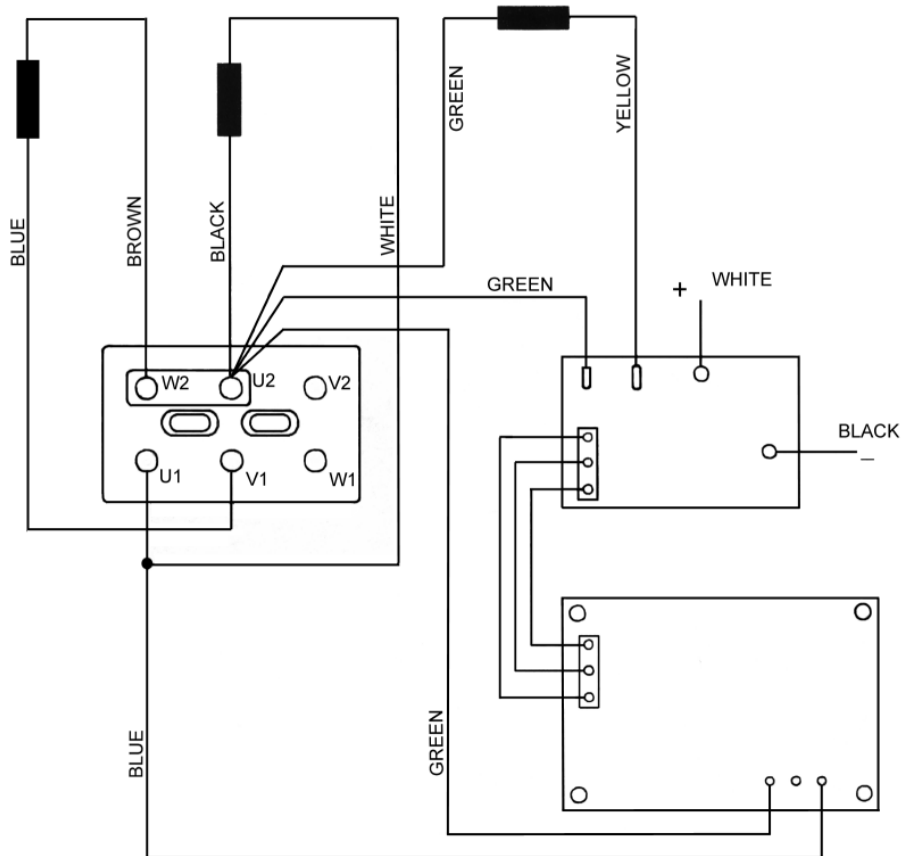
ROTOR 2.4 OHMS

POWER 0.87 OHMS

EXCITATION 2.7 OHMS



AVR Wiring Diagram



Decal & Manual Items *Not Shown

PART ID	PART DESCRIPTION	QTY
102077GS	DECAL WARNING READ MANUAL	1
102076GS	DECAL ELECTRICAL HAZARD	1
102041GS	DECAL CAUTION HOT	1
102048GS	DECAL GND	1
102268GS	DECAL BSP5500 B&S 590X90MM	2
102275GS	DECAL LEA TRIANGLE	2
102065GS	MANUAL OWNERS B&S NO. BS2012	1

Model No. HPP1607-0

PAGE 7 OF 7