



**B S Q 4 5 0 0**

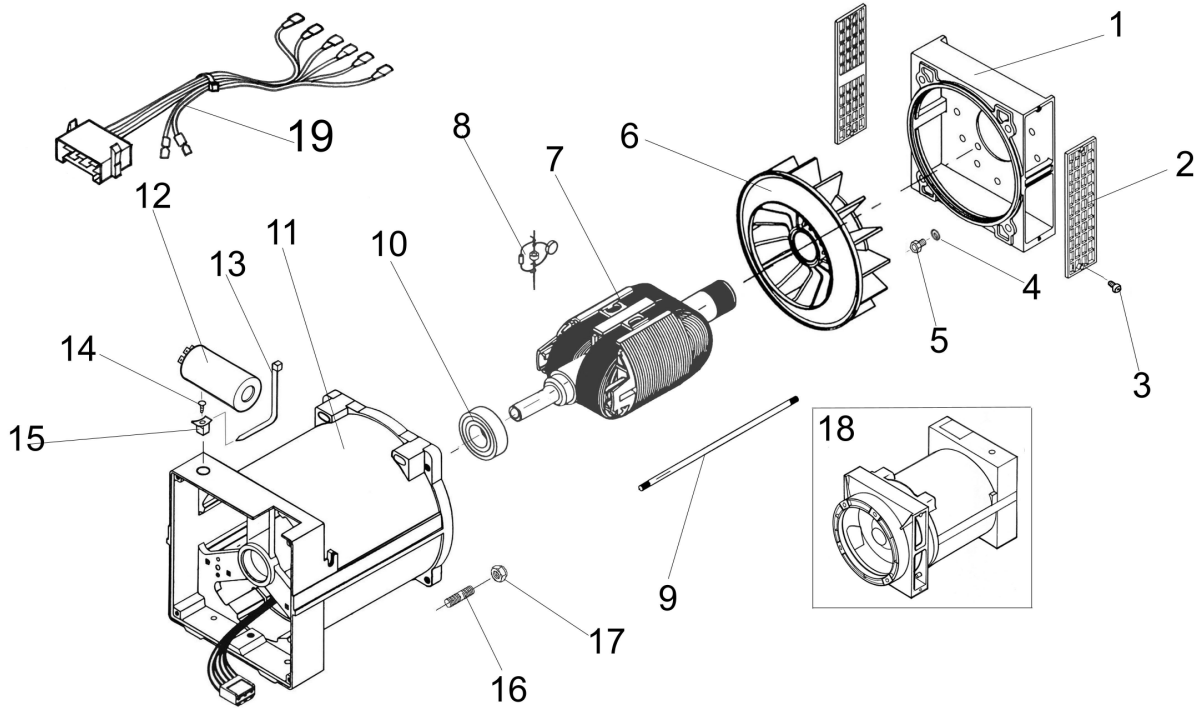
**PARTS LIST**



**Model No. HPP1602-0 BSQ4500**  
**Manual No. 102210GS Rev 0**



# Alternator

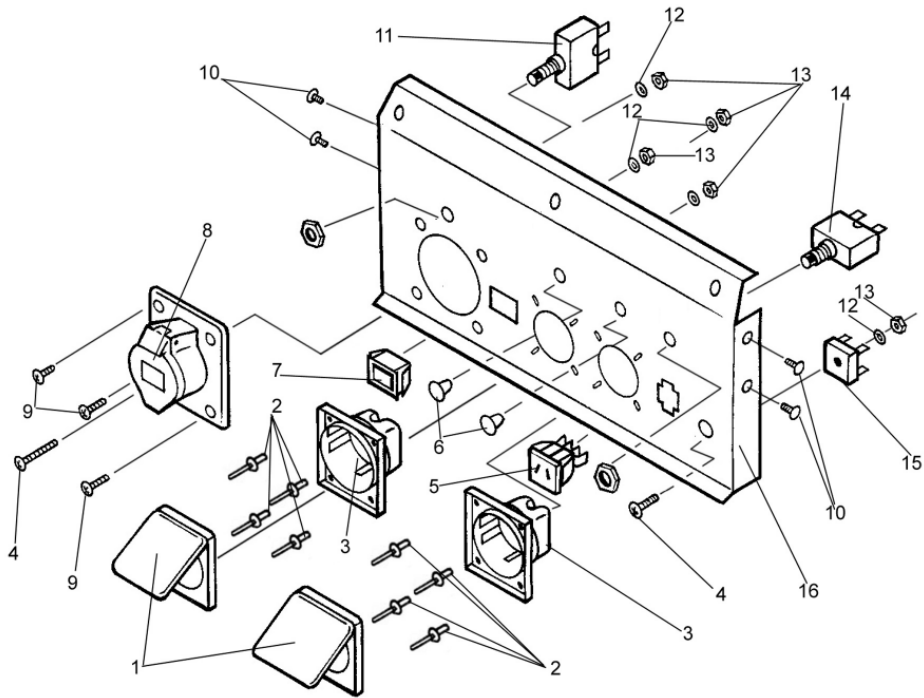


| ITEM | PART ID  | PART DESCRIPTION                  | QTY |
|------|----------|-----------------------------------|-----|
| 1    | 102138GS | FLANGE PLATE                      | 1   |
| 2    | 102139GS | SIDE GRILL (PLASTIC)              | 2   |
| 3    | 102087GS | SCREW MC PPHD M5*10MM             | 8   |
| 4    | 102099GS | WASHER LOCK M10/ 3/8 OXY BLACK    | 4   |
| 5    | 102098GS | SCREW CAP 3/8" UNC X 1"           | 4   |
| 6    | 102073GS | ROTOR FAN SINCRO                  | 1   |
| 7    | 102205GS | ROTOR ER 4.2                      | 1   |
| 8    | 102052GS | DIODE & VARISTOR ASSY             | 1   |
| 9    | 102160GS | ROTOR BOLT, M8-1.25*265MM         | 1   |
| 10   | 102038GS | ROTOR BEARING                     | 1   |
| 11   | 102206GS | STATOR ER 4.2 WITH BATTERY CHARGE | 1   |
| 12   | 102204GS | CAPACITOR 36UF                    | 1   |
| 13   | 102134GS | TY-WRAP 210MM*4MM                 | 1   |
| 14   | 102166GS | SCREW SELF DRILL #8*12.7 PPHD     | 1   |
| 15   | 102121GS | MOUNTING BASE - CAPACITOR         | 1   |
| 16   | 102131GS | STUD M8*30MM                      | 4   |
| 17   | 102017GS | NUT NYLOCK M8-1.25 TYPE T         | 4   |
| 18   | 102137GS | ALTERNATOR SINCRO ER4.2           | 1   |
| 19   | 102176GS | WIRING HARNESS ASSEMBLY           | 1   |

Model No. HPP1602-0



# Alternator Outlet Panel



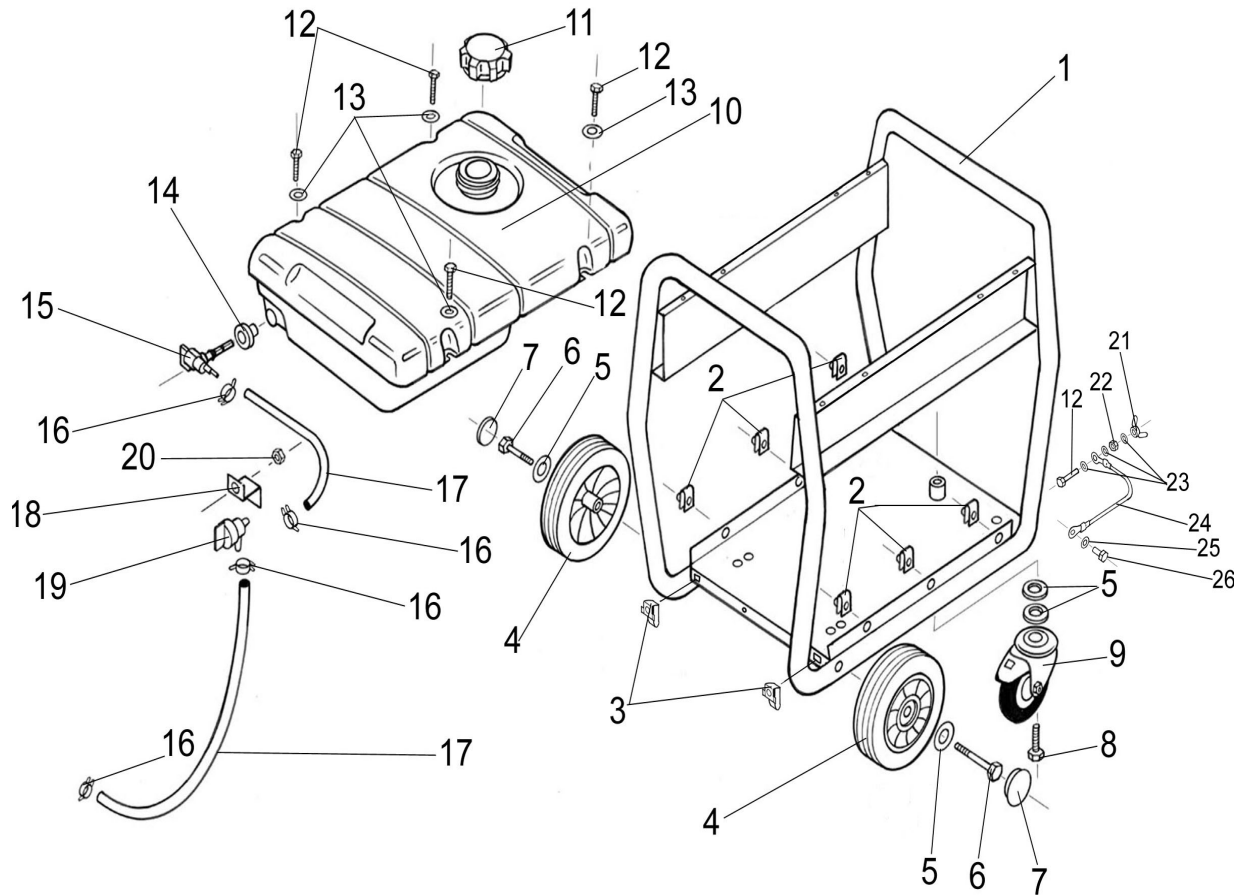
| ITEM | PART ID  | PART DESCRIPTION               | QTY |
|------|----------|--------------------------------|-----|
| 1    | 102107GS | COVER OUTLET HINGED BERKER     | 2   |
| 2    | 102113GS | RIVET POP 4MM * 10MM           | 8   |
| 3    | 102106GS | OUTLET GERMAN DOMESTIC BERKER  | 2   |
| 4    | 102103GS | SCREW MACHINE PPHD M5-0.8*20MM | 2   |
| 5    | 102112GS | OUTLET 12V DC                  | 1   |
| 6    | 102122GS | PLUG BLANKING 12.5MM DIAMETER  | 2   |
| 7    | 102190GS | SWITCH BLANK                   | 1   |
| 8    | 102119GS | OUTLET 230V/16A (60*60MM)      | 1   |
| 9    | 102114GS | SCREW MACHINE PPHD M5-0.8*16MM | 3   |
| 10   | 102165GS | SCREW SELFTAP 5.5*1.8*13MM     | 4   |
| 11   | 102133GS | CIRCUIT BREAKER 15A            | 1   |
| 12   | 102115GS | WASHER SHAKEPROOF M5 EXT       | 5   |
| 13   | 102116GS | NUT FULL M5-0.8MM PLATED       | 5   |
| 14   | 102132GS | CIRCUIT BREAKER 10A            | 1   |
| 15   | 102161GS | BRIDGE RECTIFIER               | 1   |
| 16   | 102140GS | OUTLET PANEL                   | 1   |

Model No. HPP1602-0

PAGE 3 OF 11



# Frame, Fuel Tank, Fittings



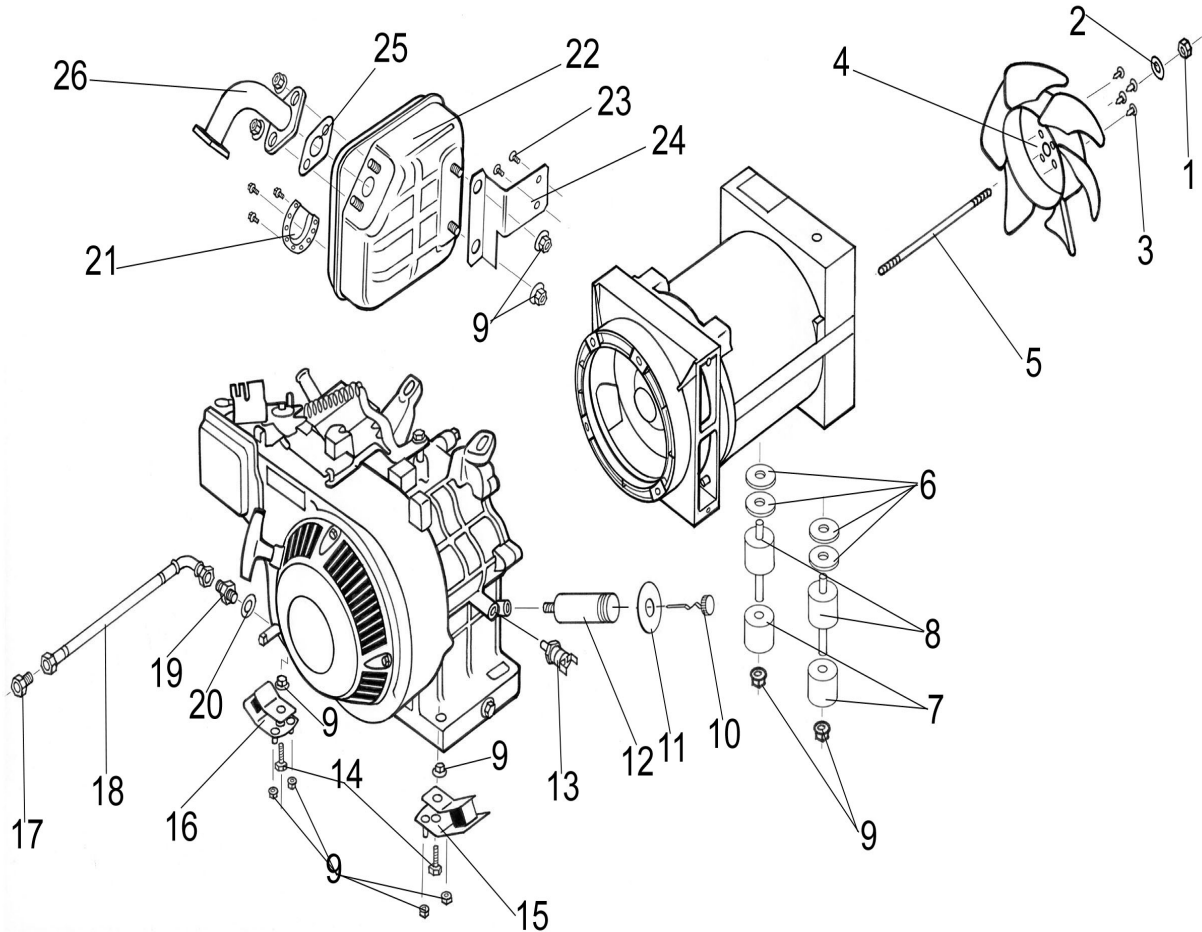
| ITEM | PART ID  | PART DESCRIPTION                     | QTY |
|------|----------|--------------------------------------|-----|
| 1    | 102167GS | CRADLE EG4500                        | 1   |
| 2    | 102177GS | LUGNUT M6-1.0                        | 6   |
| 3    | 102178GS | FASTENER RECEPTACLE 1/4 TURN         | 2   |
| 4    | 102159GS | WHEEL AND TYRE                       | 2   |
| 5    | 102202GS | WASHER FLAT M12*40*1.5MM             | 4   |
| 6    | 102188GS | BOLT HXHD M12-1.5*90MM               | 2   |
| 7    | 102149GS | WHEEL CAP                            | 2   |
| 8    | 102187GS | SCREW HXHD SET M12-1.5*35MM          | 1   |
| 9    | 102148GS | CASTOR WHEEL 100MM                   | 1   |
| 10   | 102130GS | TANK FUEL 5 US GALLON                | 1   |
| 11   | 102120GS | CAP FUEL 5.1 LITRE & 5GALL FUEL TANK | 1   |
| 12   | 102037GS | SCREW SET M6-1.0*25MM                | 5   |
| 13   | 102042GS | WASHER REPAIR 6*20                   | 4   |
| 14   | 102104GS | BUSHING TANK DEXTOR                  | 1   |
| 15   | 102108GS | VALVE FUEL PLASTIC                   | 1   |
| 16   | 102047GS | CLAMP HOSE 13MMOD                    | 4   |
| 17   | 102109GS | HOSE FUEL 3/16" ID SAE J30R7         | 1   |
| 18   | 102173GS | BRACKET FUEL TAP MOUNTING            | 1   |
| 19   | 102124GS | VALVE FUEL PLASTIC                   | 1   |
| 20   | 102198GS | NUT NYLOCK M4-0.7                    | 1   |
| 21   | 102036GS | NUT WING M6-1.0                      | 1   |
| 22   | 102028GS | NUT FULL M6-1.0                      | 1   |
| 23   | 102021GS | WASHER SHAKEPROOF 1/4" & M6 INT      | 3   |
| 24   | 102135GS | LEAD EARTH (EARTH POST ASSY)         | 1   |
| 25   | 102024GS | WASHER SHAKEPROOF M8 INT             | 1   |
| 26   | 102117GS | SCREW SET M8-1.25X12 PLATED          | 1   |

Model No. HPP1602-0

PAGE 4 OF 11



## Engine & Exhaust Fittings



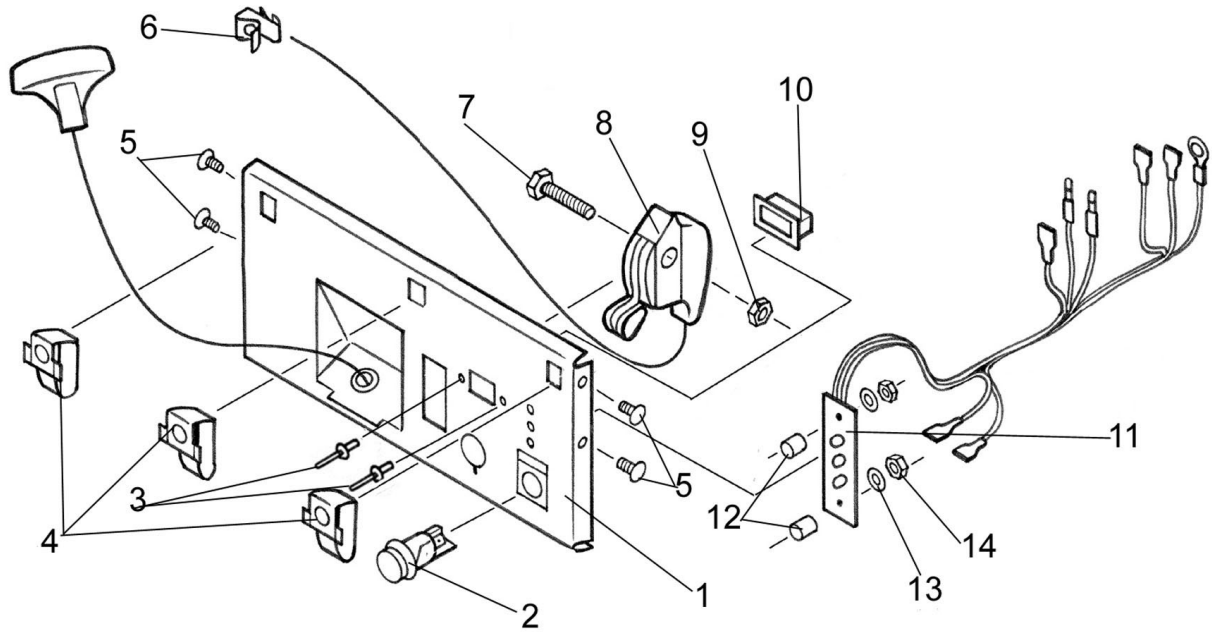
| ITEM | PART ID  | PART DESCRIPTION                             | QTY |
|------|----------|--|-----|
| 1    | 102017GS | NUT NYLOCK M8-1.25 TYPE T                    | 1   |
| 2    | 102020GS | WASHER FLAT M8 & 5/16"                       | 1   |
| 3    | 102191GS | FASTENER (FIR TREE) 4.8*12.2MM               | 4   |
| 4    | 102142GS | FAN PLASTIC 8"*6 BLADE (DRILL HOLE TO 8.5MM) | 1   |
| 5    | 102397GS | ROTOR BOLT 270MM                             | 1   |
| 6    | 102118GS | SPACER 4MM                                   | 4   |
| 7    | 102136GS | SPACER 24MM                                  | 2   |
| 8    | 102111GS | VIBRATION MOUNT 32MM DIAMETER                | 2   |
| 9    | 102029GS | NUT FLANGE M8-1.25                           | 10  |
| 10   | 102145GS | DIPSTICK                                     | 1   |
| 11   | 102194GS | WASHER RUBBER 80*34*1.5MM                    | 1   |
| 12   | 102144GS | OIL-FILL EXTENSION TUBE                      | 1   |
| 13   | 102146GS | SWITCH TEMPERATURE                           | 1   |
| 14   | 102026GS | SCREW SET                                    | 2   |
| 15   | 102033GS | VIBRATION MOUNT 45 DEGREE SOFT               | 1   |
| 16   | 102031GS | VIBRATION MOUNT 45 DEGREE HARD               | 1   |
| 17   | 102207GS | PLUG OIL DRAIN                               | 1   |
| 18   | 102151GS | OIL DRAIN HOSE                               | 1   |
| 19   | 102208GS | UNION ADAPTOR                                | 1   |
| 20   | 102209GS | WASHER SEAL                                  | 1   |
| 21   | 102415GS | DEFLECTOR EXHAUST                            | 1   |
| 22   | 102398GS | MUFFLER                                      | 1   |
| 23   | 102166GS | SCREW SELF DRILL #8*12.7 PPHD                | 2   |
| 24   | 102156GS | BRACKET EXHAUST MOUNTING                     | 1   |
| 25   | 102304GS | GASKET EXHAUST                               | 2   |
| 26   | 102409GS | MANIFOLD EXHAUST                             | 1   |

Model No. HPP1602-0

PAGE 5 OF 11



# Engine Control Panel



| ITEM | PART ID  | PART DESCRIPTION                 | QTY |
|------|----------|----------------------------------|-----|
| 1    | 102141GS | CONTROL PANEL ENGINE             | 1   |
| 2    | 102147GS | SWITCH PUSH BUTTON RED           | 1   |
| 3    | 102113GS | RIVET POP 4MM * 10MM             | 2   |
| 4    | 102178GS | FASTENER RECEPTACLE 1/4 TURN     | 3   |
| 5    | 102165GS | SCREW SELFTAP 5.5*1.8*13MM       | 4   |
| 6    | 102175GS | CLIP CONTROL CABLE STOP          | 1   |
| 7    | 102123GS | BOLT M6-1.0X35MM BLACKENED       | 1   |
| 8    | 102143GS | CHOKE/THROTTLE LEVER             | 1   |
| 9    | 102101GS | NUT NYLOCK M6-1.0                | 1   |
| 10   | 102125GS | HOUR METER, MAINTENANCE REMINDER | 1   |
| 11   | 102174GS | WARNING LIGHT ASSEMBLY           | 1   |
| 12   | 102197GS | SPACER NYLON M4*7.9*6.4MM        | 2   |
| 13   | 102199GS | WASHER FLAT M4                   | 2   |
| 14   | 102198GS | NUT NYLOCK M4-0.7                | 2   |

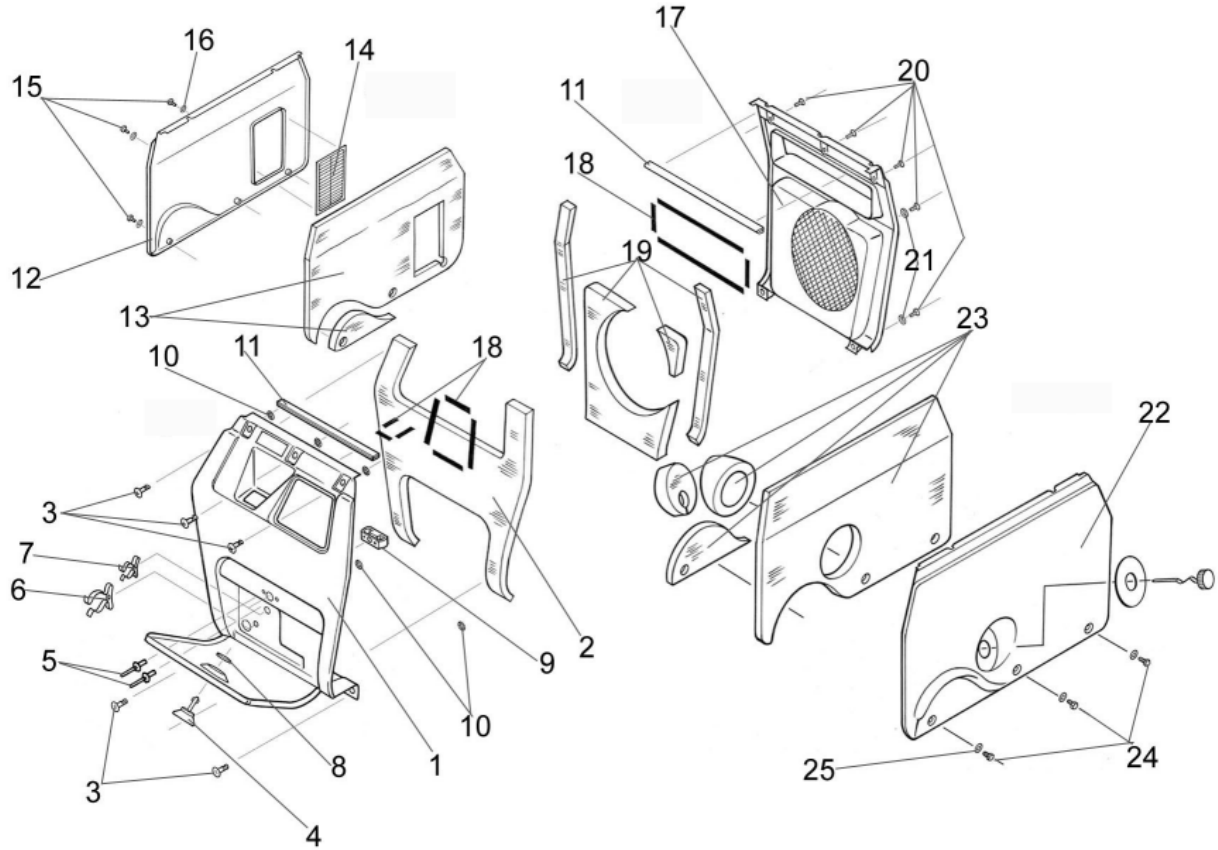
Model No. HPP1602-0

PAGE 6 OF 11





# Acoustic Panels



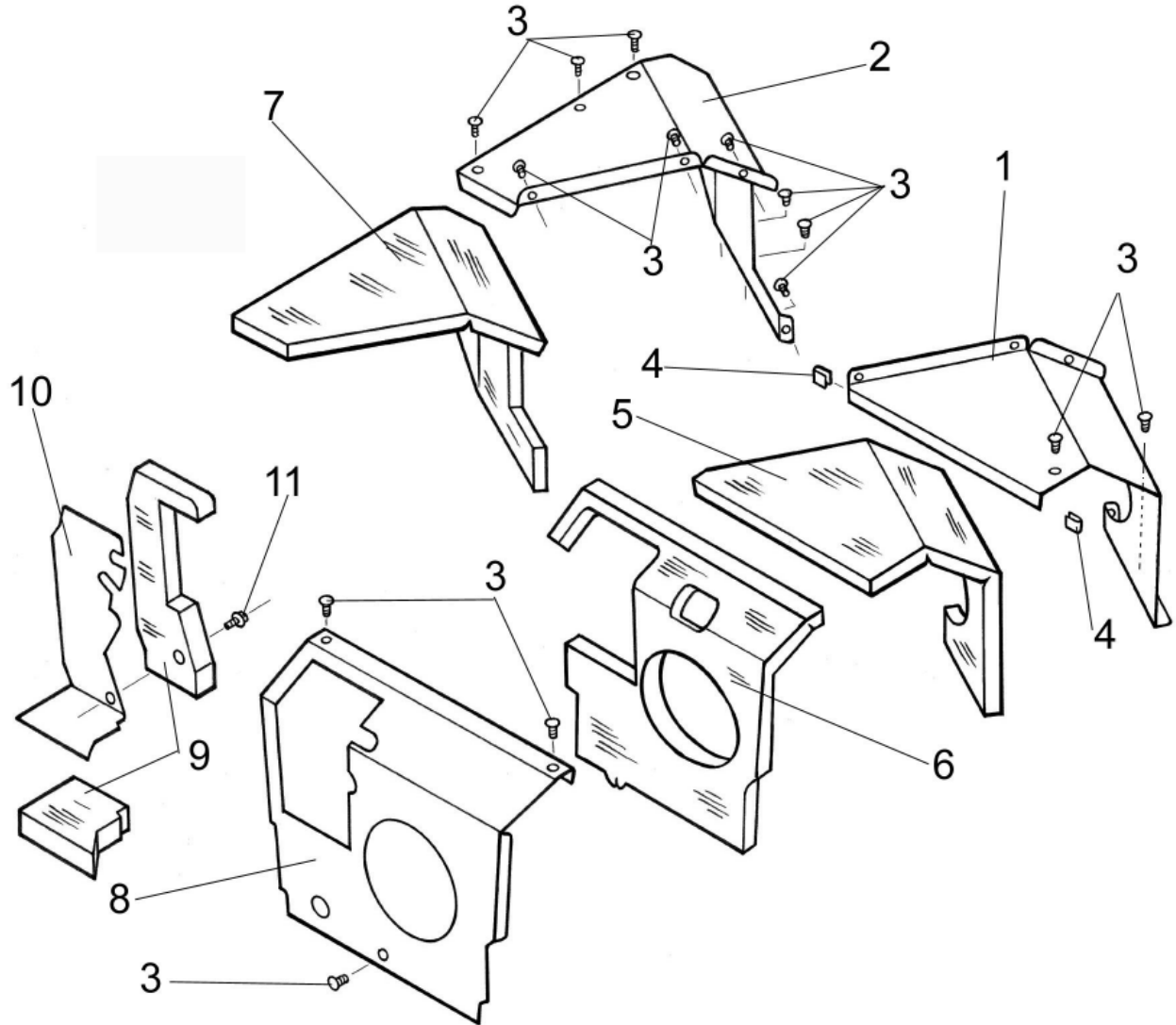
| ITEM | PART ID  | PART DESCRIPTION                          | QTY |
|------|----------|---|-----|
| 1    | 102126GS | PANEL ENGINE END                          | 1   |
| 2    | 102180GS | ACOUSTIC FOAM (PANEL 188694)              | 1   |
| 3    | 102179GS | FASTENER STUD RAPIER 7MM                  | 5   |
| 4    | 102183GS | FASTENER STUD PLASTIC KNOB                | 1   |
| 5    | 102164GS | RIVET POP CSHD 3.2*11MM                   | 4   |
| 6    | 102162GS | PIPE-CLIP 1" OD                           | 1   |
| 7    | 102163GS | PIPE CLIP 3/4"                            | 1   |
| 8    | 102182GS | FASTENER RECEPTACLE 1/4 TURN              | 1   |
| 9    | 102196GS | RETAINER 1/4 TURN FASTENER DART           | 1   |
| 10   | 102195GS | RETAINER 1/4 TURN FASTENER 7MM            | 5   |
| 11   | 102181GS | SEAL EDGE MOUNTING 2MM PANEL              | 2   |
| 12   | 102128GS | PANEL EXHAUST SIDE (INCLUDES GRILL)       | 1   |
| 13   | 102185GS | ACOUSTIC FOAM (PANEL 188696)              | 1   |
| 14   | 102150GS | GRILL (AIR OUT)                           | 1   |
| 15   | 102201GS | SCREW SET M6*20 SLOTTED HEAD              | 3   |
| 16   | 102105GS | WASHER PLAIN M6                           | 3   |
| 17   | 102127GS | PANEL OUTLET END INC. FAN COWLING & GRILL | 1   |
| 18   | 102192GS | FOAM SEALING TAPE3*6MM                    | 1   |
| 19   | 102184GS | ACOUSTIC FOAM(PANEL 188695) 4 PIECES      | 1   |
| 20   | 102201GS | SCREW SET M6*20 SLOTTED HEAD              | 5   |
| 21   | 102105GS | WASHER PLAIN M6                           | 2   |
| 22   | 102129GS | PANEL OIL FILL SIDE                       | 1   |
| 23   | 102186GS | ACOUSTIC FOAM (PANEL 188699) 4 PIECES     | 1   |
| 24   | 102201GS | SCREW SET M6*20 SLOTTED HEAD              | 3   |
| 25   | 102105GS | WASHER PLAIN M6                           | 3   |

Model No. HPP1602-0

PAGE 7 OF 11



# Air Ducting Assembly



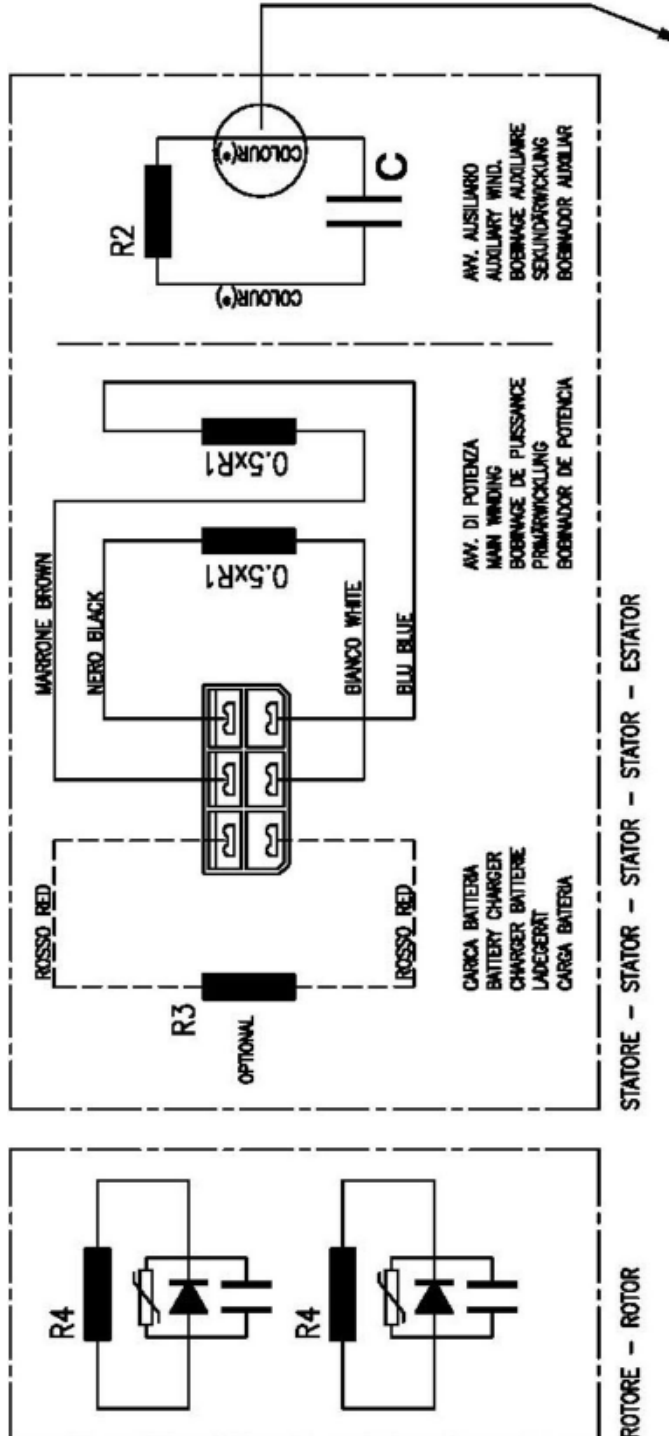
|    |          |                                 |    |
|----|----------|---------------------------------|----|
| 1  | 102152GS | DUCTING PANEL 1. ALTERNATOR END | 1  |
| 2  | 102153GS | DUCTING PANEL 2. ALTERNATOR END | 1  |
| 3  | 102193GS | SCREW TAPTITE PPHD 4.2*1.4*8MM  | 14 |
| 4  | 102169GS | EDGE PANEL FASTENER             | 2  |
| 5  | 102170GS | ACOUSTIC FOAM (PANEL AK20)      | 1  |
| 6  | 102172GS | ACOUSTIC FOAM (PANEL AK22)      | 1  |
| 7  | 102171GS | ACOUSTIC FOAM (PANEL AK21)      | 1  |
| 8  | 102154GS | DUCTING PANEL 3. ENGINE END     | 1  |
| 9  | 102189GS | ACOUSTIC FOAM (PANEL AK27)      | 1  |
| 10 | 102155GS | HEATSHIELD CARBURETTOR          | 1  |
| 11 | 102102GS | SCREW TAPTITE M5-0.8 * 10MM     | 1  |

Model No. HPP1602-0

PAGE 8 OF 11



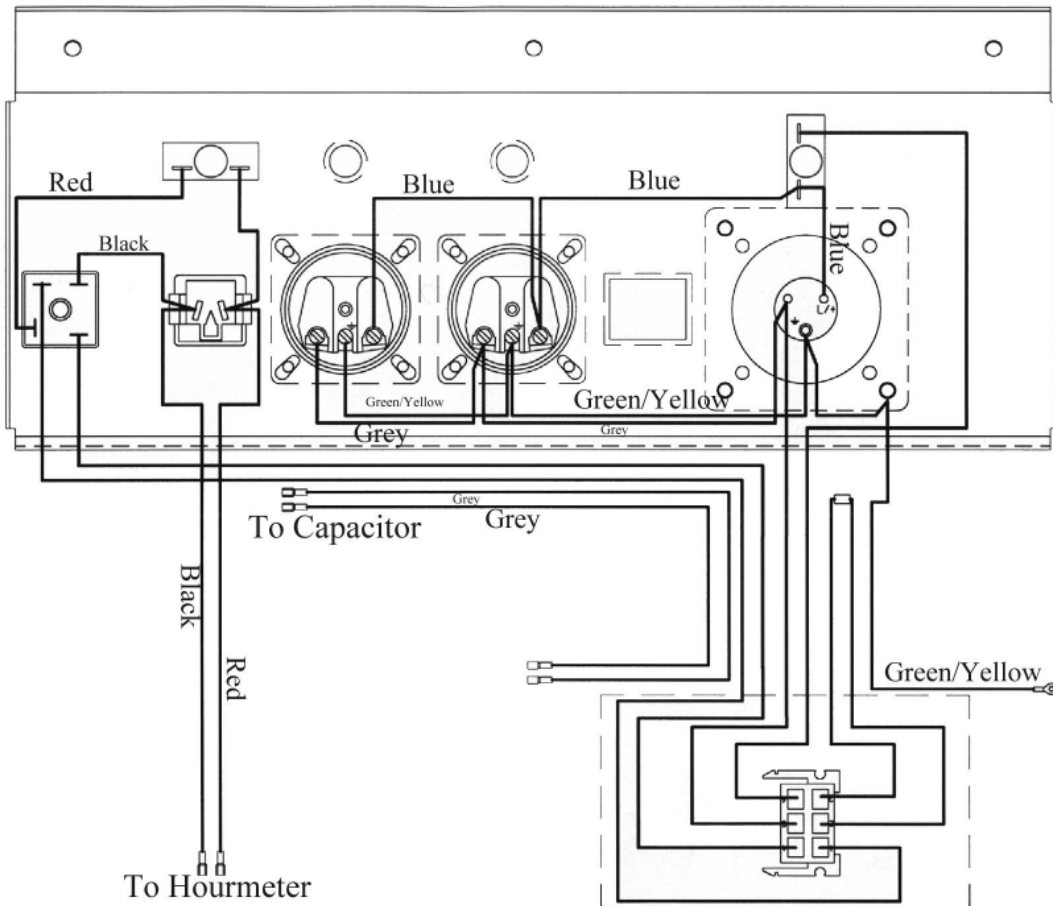
# Alternator Wiring Diagram



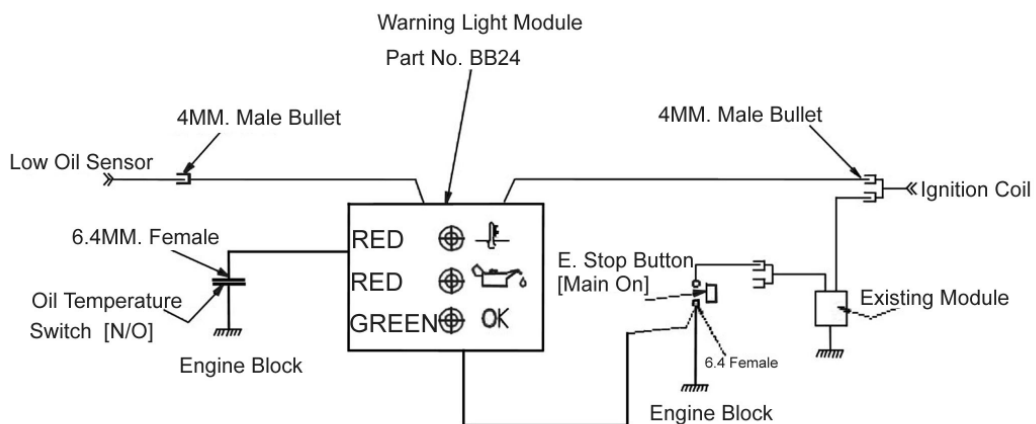
RESISTANCE VALUES AT 20 °C  
 ROTOR 2.1 OHMS  
 POWER 1.23 OHMS  
 EXCITATION 2.4 OHMS



## Panel Wiring Diagram



## Maintenance Wiring Diagram

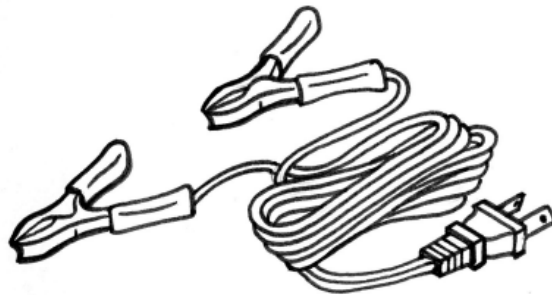


Model No. HPP1602-0

PAGE 10 OF 11



## Tools and Battery Cable



| Part ID  | Part Description     | Qty |
|----------|----------------------|-----|
| 102110GS | Wrench - Spark Plug  | 1   |
| 102100GS | Cable Battery Charge | 1   |

## Decal & Manual Items \*Not Shown

| PART ID  | PART DESCRIPTION            | QTY |
|----------|-----------------------------|-----|
| 102158GS | DECAL BSQ4500               | 2   |
| 102048GS | DECAL GND                   | 1   |
| 102041GS | DECAL CAUTION HOT           | 1   |
| 102076GS | DECAL ELECTRICAL HAZARD     | 1   |
| 102157GS | DECAL, PANEL ENGINE CONTROL | 1   |
| 102077GS | DECAL WARNING READ MANUAL   | 1   |
| 102203GS | WHEEL KIT INSTRUCTION SHEET | 1   |
| 102065GS | MANUAL OWNERS BS2012        | 1   |

Model No. HPP1602-0

PAGE 11 OF 11