



G-Force 3200

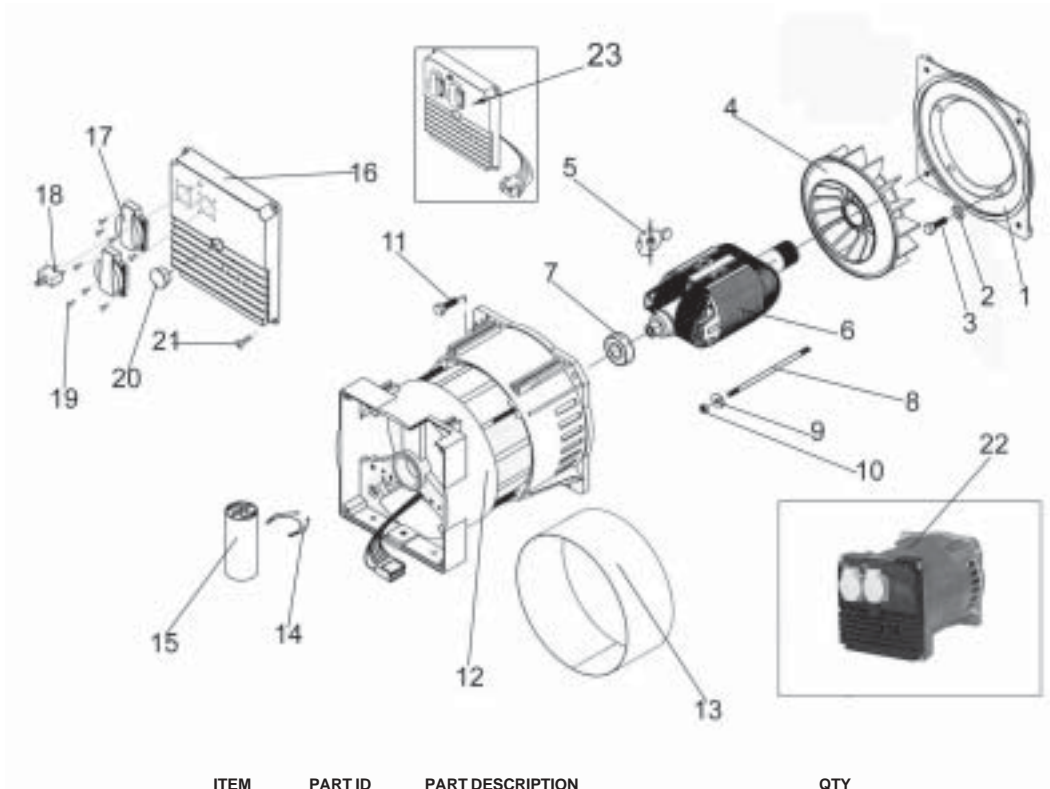
PARTS LIST



Model No. 1742-0 G-Force 3200
Manual No. 102634GS Rev 0



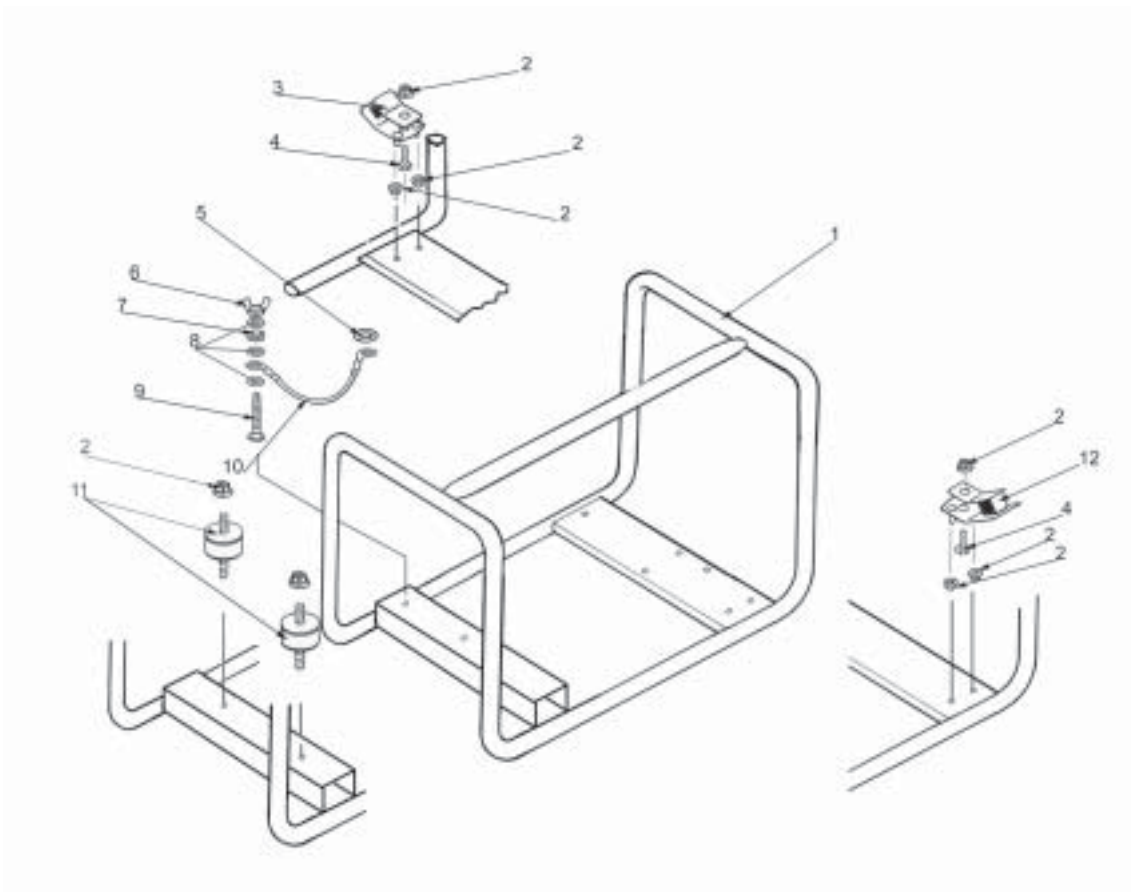
Alternator Outlet Panel



| ITEM | PART ID | PART DESCRIPTION | QTY |
|------|----------|--------------------------------|-----|
| 1 | 102051GS | FLANGE PLATE | 1 |
| 2 | 102019GS | WASHER SPRING M8 & 5/16" | 4 |
| 3 | 102035GS | SCREW SET 5/16"UNF X 3/4" | 4 |
| 4 | 102073GS | ROTOR FAN SINCRO | 1 |
| 5 | 102054GS | DIODE AND VARISTOR SET | 2 |
| 6 | 102080GS | ROTOR ASSY SINCRO EP3.0 | 1 |
| 7 | 102038GS | ROTOR BEARING | 1 |
| 8 | 102074GS | ROTOR BOLT | 1 |
| 9 | 102020GS | WASHER FLAT M8 & 5/16" | 1 |
| 10 | 102017GS | NUT NYLOCK M8-1.25 TYPE T | 1 |
| 11 | 102035GS | SCREW SET 5/16"UNF X 3/4" | 4 |
| 12 | 102078GS | STATOR ASSY SINCRO EP3.0 | 1 |
| 13 | 102094GS | STATOR COVER BAND EP3.0 | 1 |
| 14 | 102083GS | CAPACITOR CLIP | 1 |
| 15 | 102277GS | CAPACITOR 20UF | 1 |
| 16 | 102075GS | OUTLET PANEL BLANK | 1 |
| 17 | 102030GS | SOCKET OUTLET G/S | 2 |
| 18 | 102049GS | CIRCUIT BREAKER 12A | 1 |
| 19 | 102040GS | SCREW PLASTITE PPHD NO6 * 3/8" | 8 |
| 20 | 102085GS | END CAP PLASTIC PLUG | 1 |
| 21 | 102087GS | SCREW MC PPHD M5*10MM | 4 |
| 22 | 102064GS | ALTERNATOR SINCRO EP3.0 G/S | 1 |
| 23 | 102093GS | OUTLET PANEL COMPLETE EP3.0 | 1 |



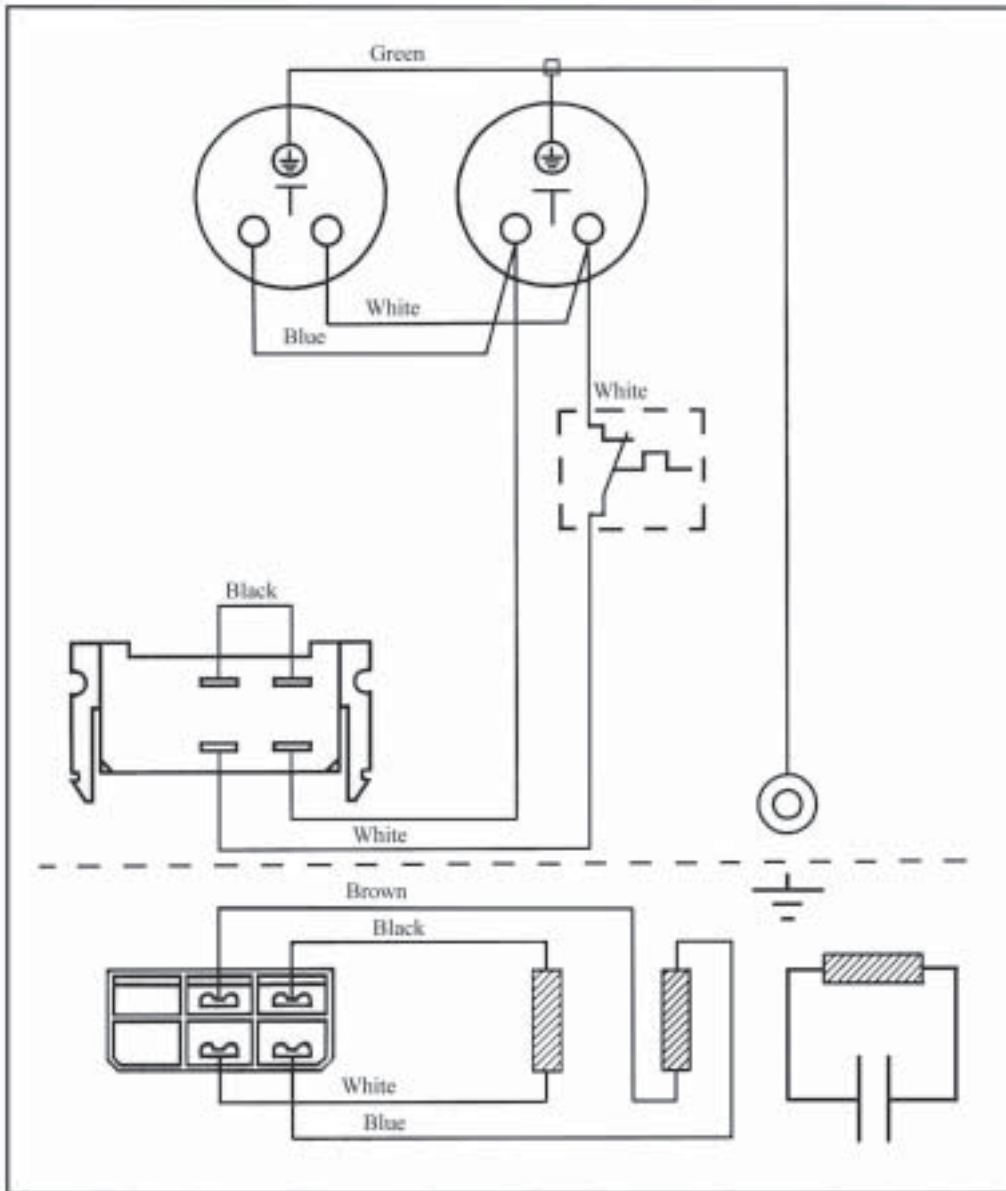
Frame and Fittings



| ITEM | PART ID | PART DESCRIPTION | QTY |
|------|----------|----------------------------------|-----|
| 1 | 102632GS | CRADLE YELLOW | 1 |
| 2 | 102029GS | NUT FLANGE M8-1.25 | 8 |
| 3 | 102033GS | VIBRATION MOUNT 45 DEGREE SOFT | 1 |
| 4 | 102026GS | SCREW SET | 2 |
| 5 | 102024GS | WASHER SHAKEPROOF M8 INT | 1 |
| 6 | 102036GS | NUT WING M6-1.0 | 1 |
| 7 | 102028GS | NUT FULL M6-1.0 | 1 |
| 8 | 102021GS | WASHER SHAKEPROOF 1/4\" & M6 INT | 3 |
| 9 | 102037GS | SCREW SET M6-1.0X25MM PLATED | 1 |
| 10 | 102050GS | LEAD EARTH ASSY 145MM | 1 |
| 11 | 102034GS | VIBRATION MOUNT 32MM DIAMETER | 2 |
| 12 | 102031GS | VIBRATION MOUNT 45 DEGREE HARD | 1 |



Panel Wiring Diagram



RESISTANCE VALUES AT 20 °C

ROTOR 1.8 OHMS

POWER 2.1 OHMS

EXCITATION 4.0 OHMS

Decal & Manual Items *Not Illustrated

| PART ID | PART DESCRIPTION | QTY |
|----------|---------------------------|-----|
| 102077GS | DECAL WARNING READ MANUAL | 1 |
| 102633GS | DECAL G-FORCE 3200 | 1 |
| 102041GS | DECAL CAUTION HOT | 1 |
| 102076GS | DECAL ELECTRICAL HAZARD | 1 |
| 102048GS | DECAL GND | 1 |
| 102590GS | MANUAL GENERIC-GFORCE | 1 |