



G-Force 2200

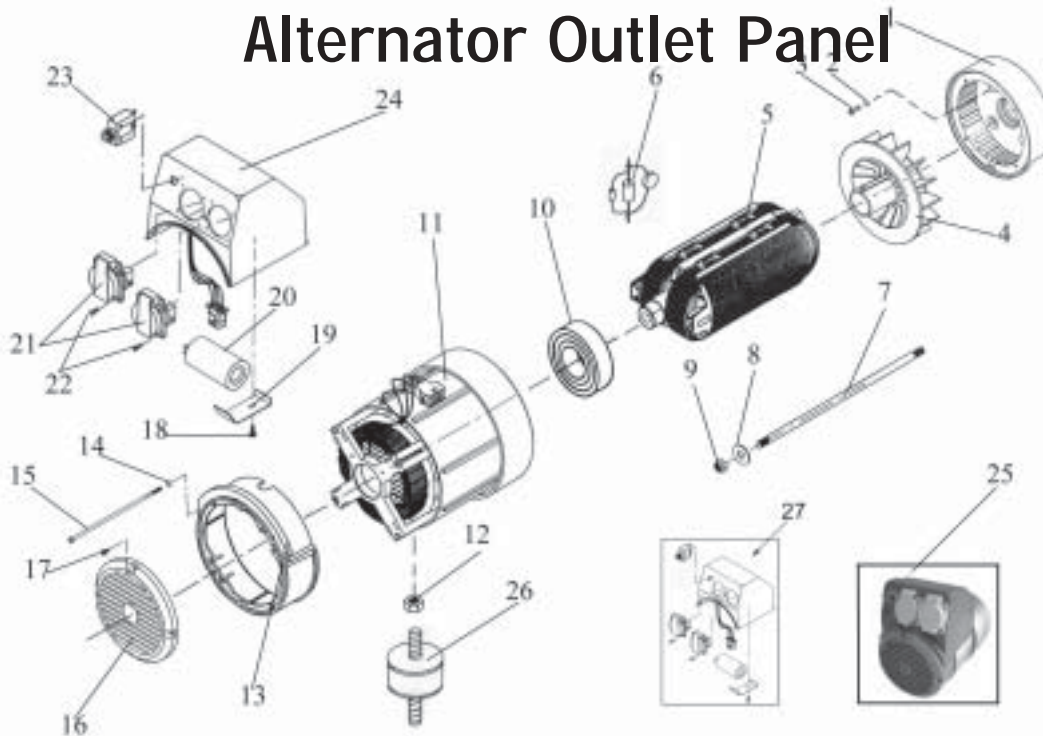
PARTS LIST



Model No. 1508-0 G-Force 2200
Manual No. 102631GS Rev 0



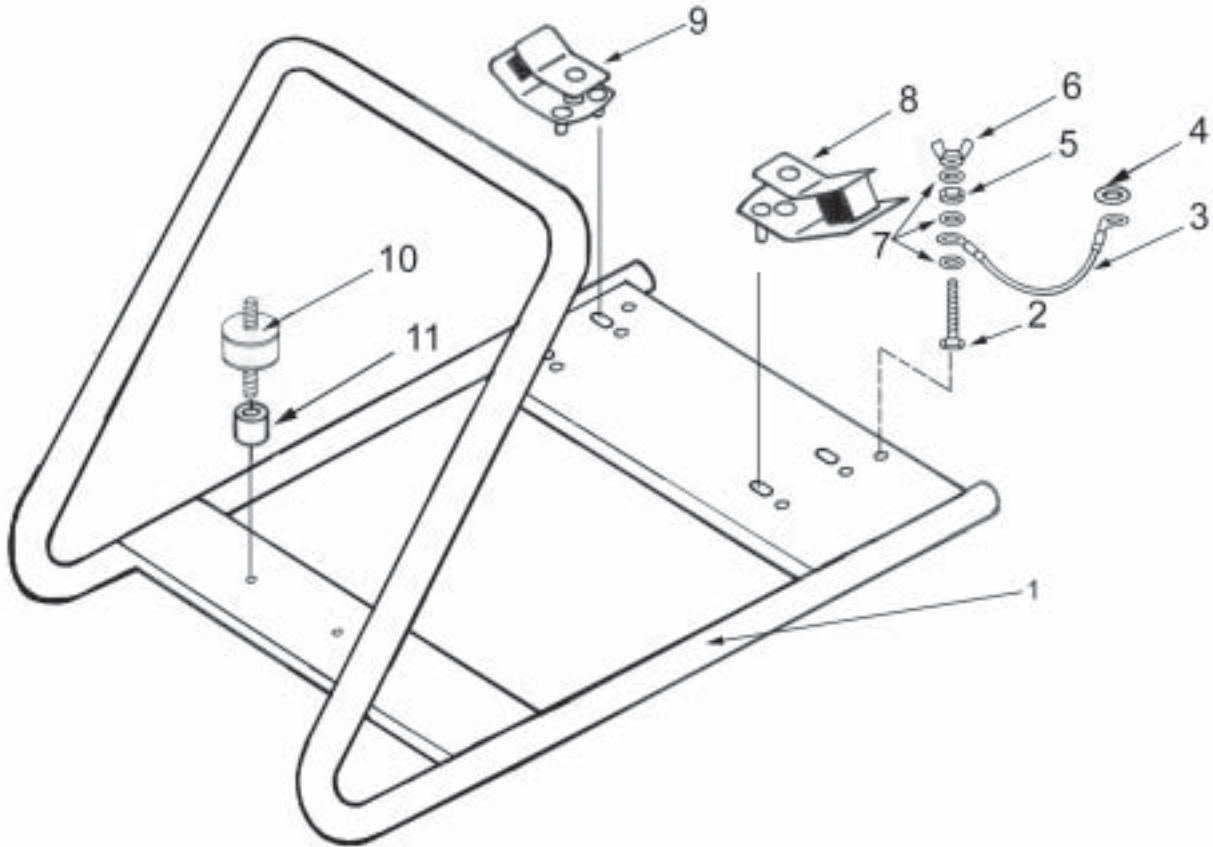
Alternator Outlet Panel



| ITEM | PART ID | PART DESCRIPTION | QTY |
|------|----------|---|-----|
| 1 | 102059GS | FLANGE ALTERNATOR | 1 |
| 2 | 102019GS | WASHER SPRING M8 & 5/16" | 1 |
| 3 | 102035GS | SCREW SET 5/16"UNF X 3/4" | 1 |
| 4 | 102046GS | FAN ROTOR SINCRO R80 | 1 |
| 5 | 102056GS | ROTOR SINCRO R80 | 1 |
| 6 | 102052GS | DIODE & VARISTOR ASSY | 1 |
| 7 | 102057GS | ROTOR BOLT 195MM | 1 |
| 8 | 102020GS | WASHER FLAT M8 & 5/16" | 1 |
| 9 | 102017GS | NUT NYLOCK M8-1.25 TYPE T | 4 |
| 10 | 102063GS | BEARING ROTOR | 1 |
| 11 | 102058GS | STATOR SINCRO R80 | 1 |
| 12 | 102029GS | NUT FLANGE M8-1.25 | 4 |
| 13 | 102060GS | COWLING ALTERNATOR R80 | 1 |
| 14 | 102022GS | WASHER FLAT M5 | 4 |
| 15 | 102088GS | BOLT STATOR M5*204MM | 4 |
| 16 | 102061GS | END COVER ALTERNATOR R80 | 1 |
| 17 | 102089GS | SCREW SELF TAP3.9 * 9.5MM | 4 |
| 18 | 102023GS | SCREW SELF TAPPHD #8*5/8" BZP | 1 |
| 19 | 102082GS | CAPACITOR CLIP R80 | 1 |
| 20 | 102053GS | CAPACITOR 16UF | 1 |
| 21 | 102030GS | SOCKET OUTLET G/S | 2 |
| 22 | 102040GS | SCREW PLASTITE PPHD NO6 * 3/8" | 8 |
| 23 | 102084GS | CIRCUIT BREAKER 9A | 1 |
| 24 | 102062GS | OUTLET BOX BLANK (NO FITTINGS) SINCRO R80 | 1 |
| 25 | 102055GS | ALTERNATOR SINCRO R80 G/S | 1 |
| 26 | | SEE PAGE 3 | |
| 27 | 102095GS | OUTLET BOX COMPLETE R80 | 1 |



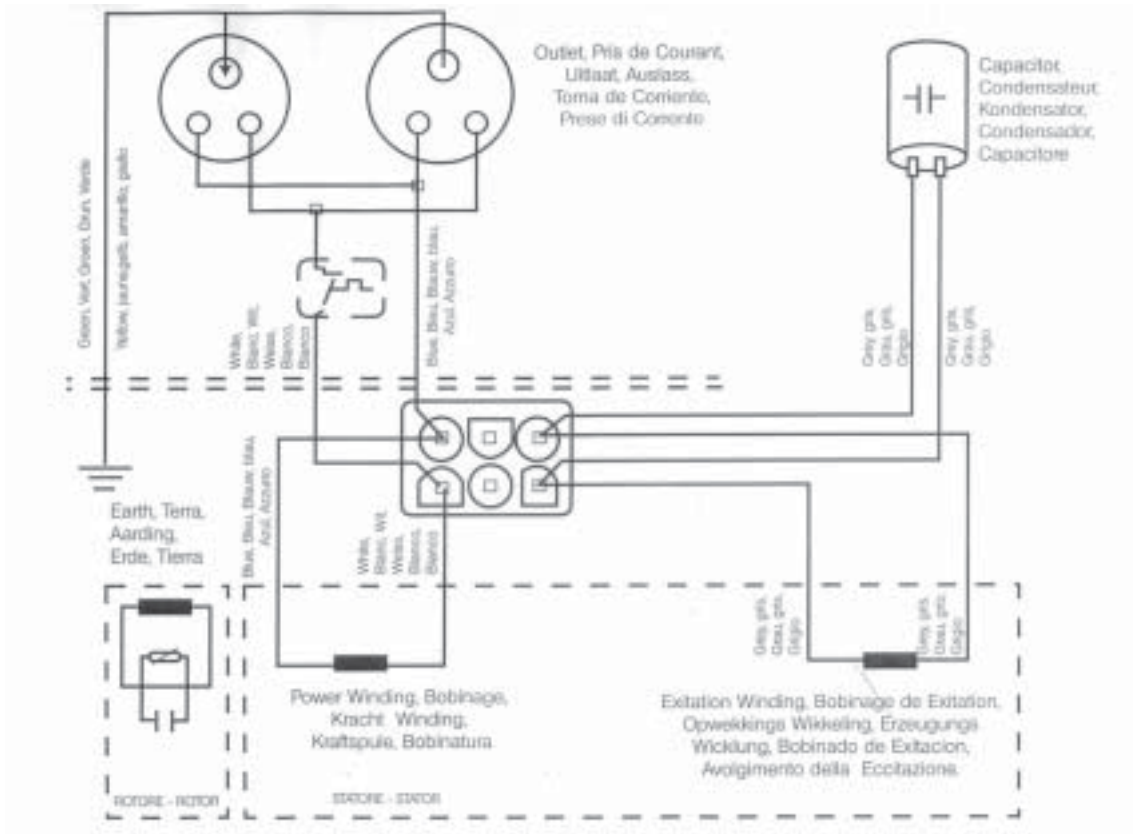
Frame and Fittings



| ITEM | PART ID | PART DESCRIPTION | QTY |
|------|----------|----------------------------------|-----|
| 1 | 102609GS | CARRY HANDLE FRAME YELLOW | 1 |
| 2 | 102037GS | SCREW SET M6-1.0X25MM PLATED | 1 |
| 3 | 102378GS | LEAD EARTH ASSY 125MM | 1 |
| 4 | 102024GS | WASHER SHAKEPROOF M8 INT | 1 |
| 5 | 102028GS | NUT FULL M6-1.0 | 1 |
| 6 | 102036GS | NUT WING M6-1.0 | 1 |
| 7 | 102021GS | WASHER SHAKEPROOF 1/4" & M6 INT | 3 |
| 8 | 102031GS | VIBRATION MOUNT 45 DEGREE HARD | 1 |
| 9 | 102033GS | VIBRATION MOUNT 45 DEGREE SOFT | 1 |
| 10 | 102034GS | VIBRATION MOUNT 32MM DIAMETER | 1 |
| 11 | 102118GS | SPACER 4MM (CERTAIN MODELS ONLY) | NP |



Panel Wiring Diagram



RESISTANCE VALUES AT 20 °C
 ROTOR 5.3 OHMS
 POWER 2.5 OHMS
 EXCITATION 5.2 OHMS

Decal & Manual Items *Not Illustrated

| PART ID | PART DESCRIPTION | QTY |
|----------|---------------------------|-----|
| 102076GS | DECAL ELECTRICAL HAZARD | 1 |
| 102048GS | DECAL GND | 1 |
| 102077GS | DECAL WARNING READ MANUAL | 1 |
| 102041GS | DECAL CAUTION HOT | 1 |
| 102630GS | DECAL G-FORCE 2800 | 1 |
| 102590GS | MANUAL GENERIC-G-FORCE | 1 |