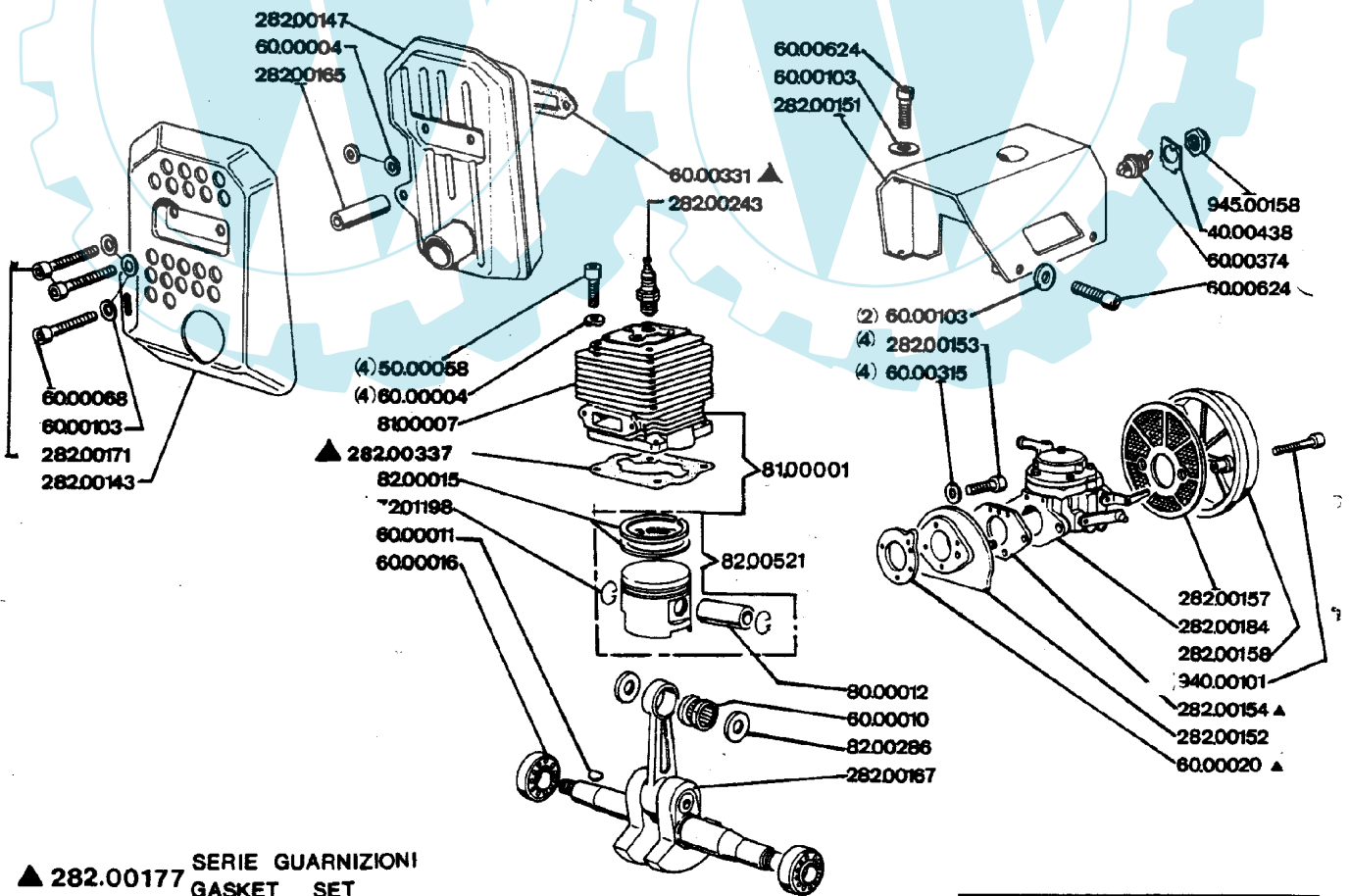
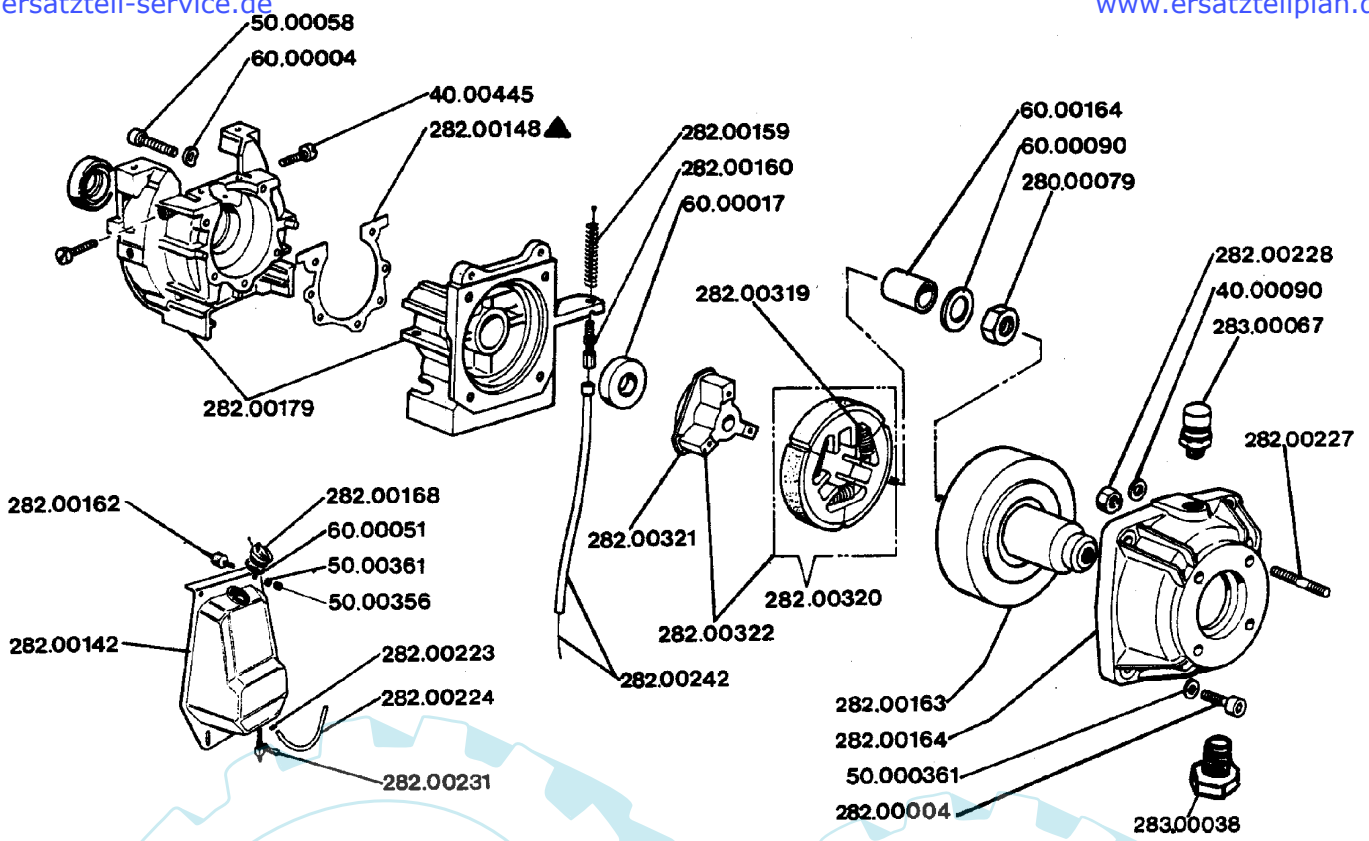


<b>P</b>	REF. MTL 80R	<b>81 cc.</b>
<b>1</b>	TAV. A	06 - 94

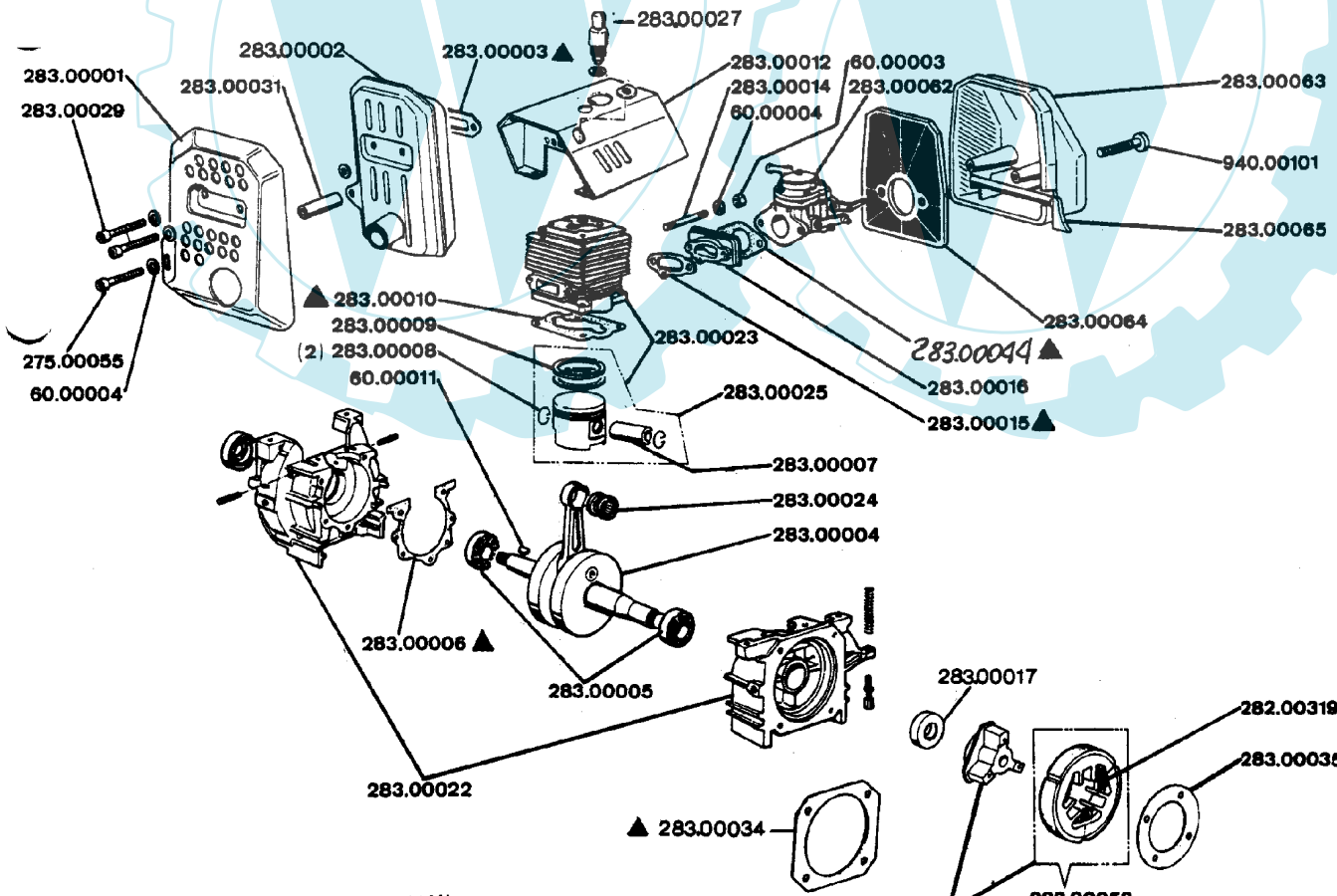


▲ 282.00177 SERIE GUARNIZIONI  
GASKET SET

<b>P</b>	REF. MTL 80R	<b>81 cc.</b>
<b>2</b>	TAV. B	06 - 94



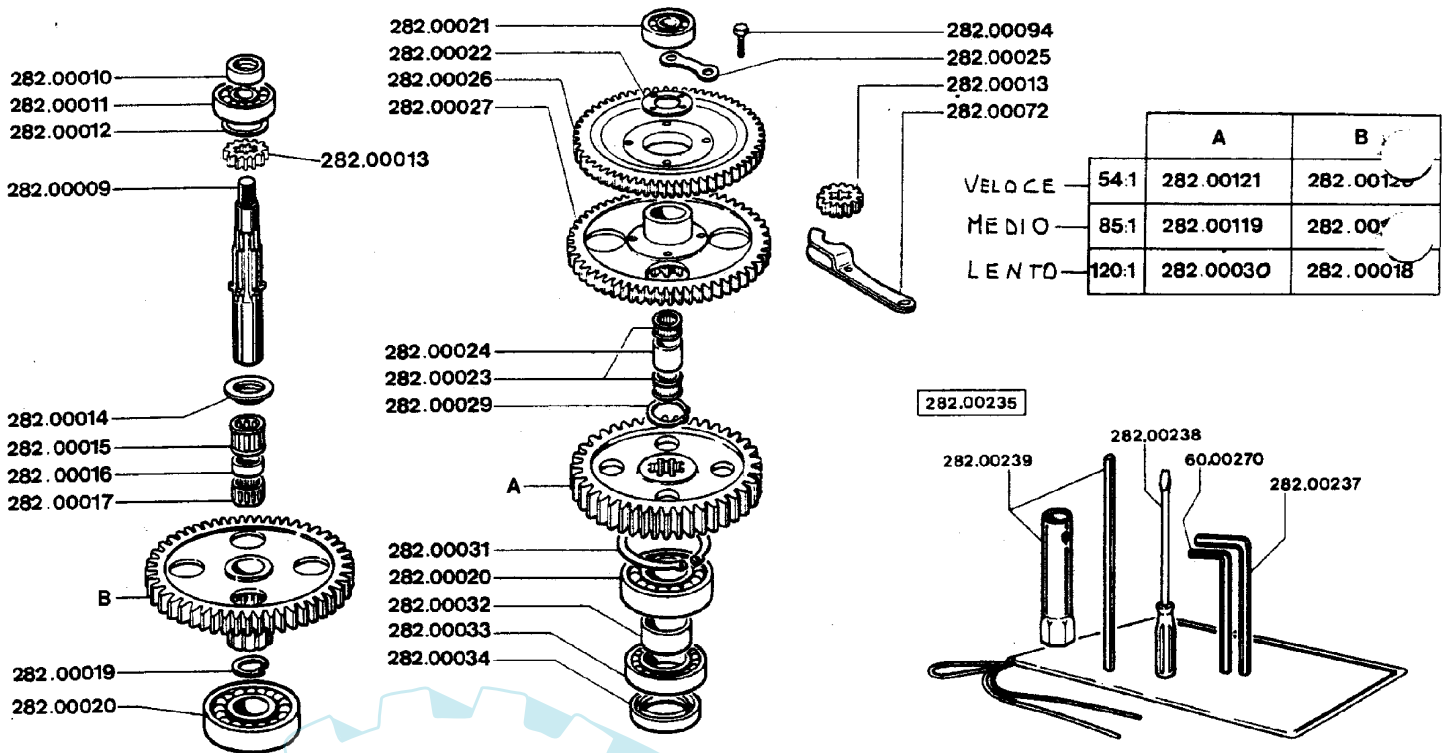
<b>P</b>	REF. MTL 80R	<b>81 cc.</b>
<b>3</b>	TAV. C	<b>06 - 94</b>



**283.00057** SERIE GUARNIZIONI  
GASKET SET

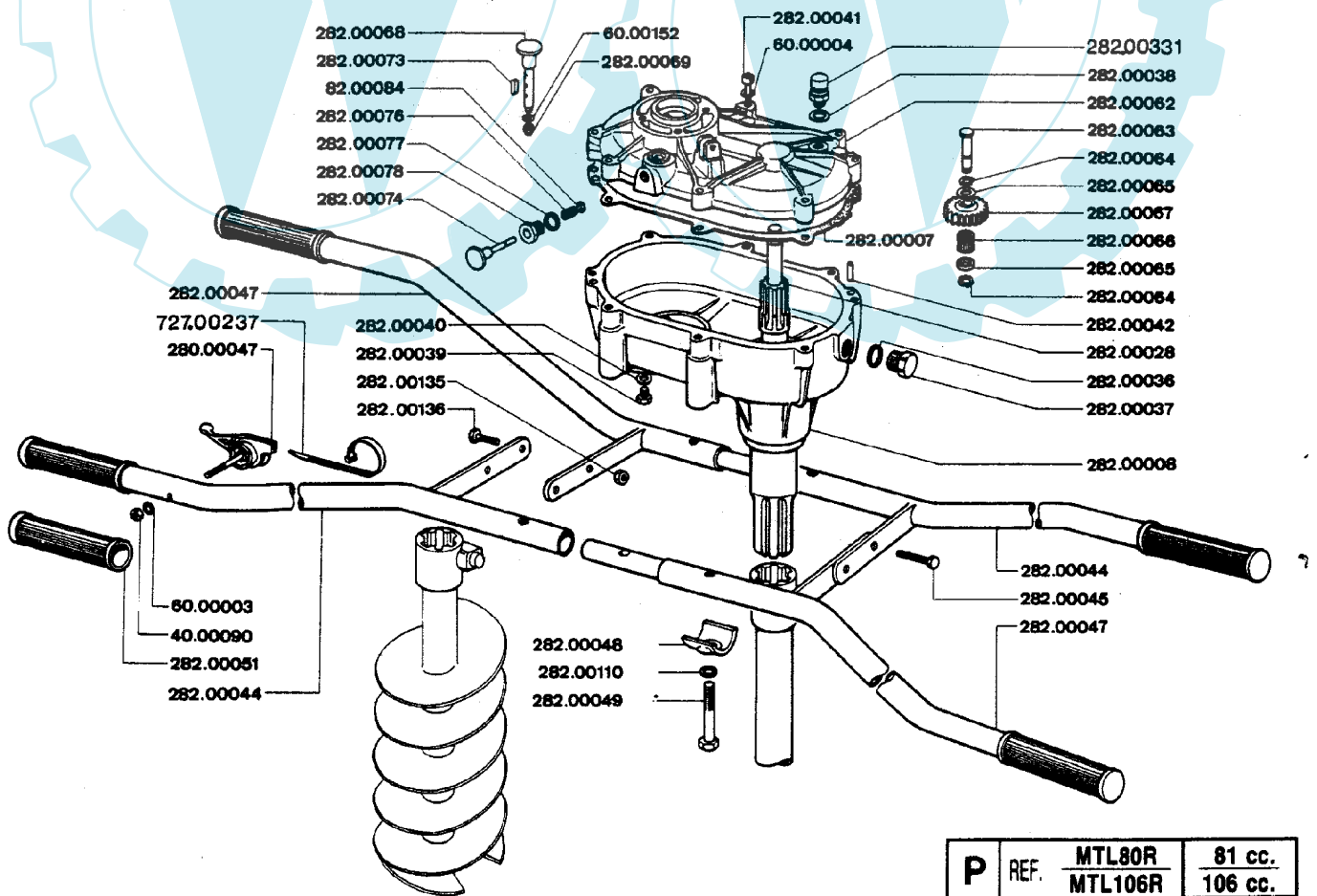
<b>P</b>	REF. MTL 106R	<b>106 cc.</b>
<b>4</b>	TAV. D	<b>06 - 94</b>

VARIANTI RISPETTO A TAV. BASE MTL 80R  
PARTS DIFFERING FROM ORIGINAL DRAWING MTL 80R

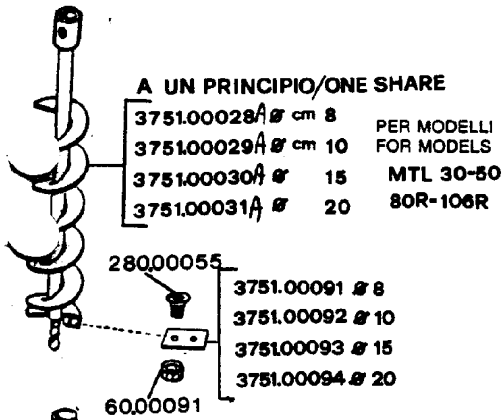


RIDUTTORE PER MOTOTRIVELLE MTL 80R - MTL 106R  
POWER DRILLS REDUCTION MTL 80R / MTL 106R

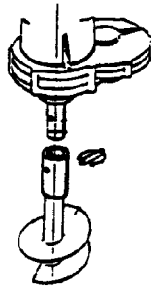
P	REF.	MTL80R	81 cc.
		MTL106R	106 cc.
5	TAV. E	06 - 94	



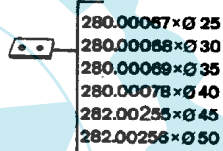
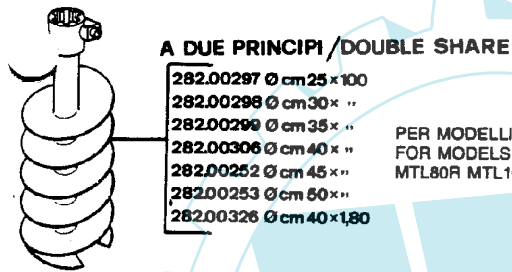
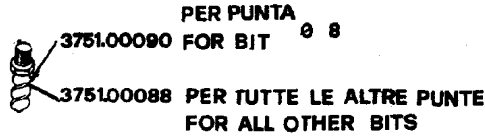
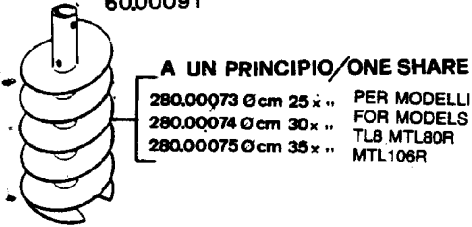
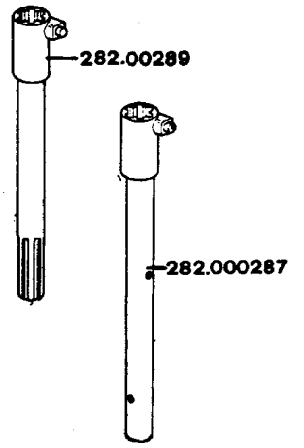
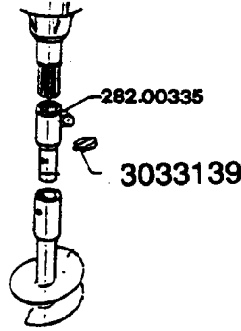
P	REF.	MTL80R	81 cc.
		MTL106R	106 cc.
6	TAV. F	06 - 94	



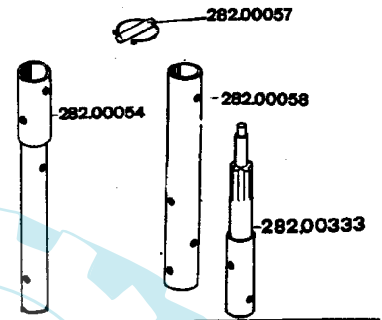
MTL 30  
MTL 50



MTL 80R  
MTL 106R



**SERIE PRECEDENTE**  
**OLD TYPE**



<b>P</b>	REF.	<b>MTL80R</b>	81 cc.
		<b>MTL106R</b>	106 cc.
<b>7</b>	<b>TAV. G</b>		<b>06 - 94</b>