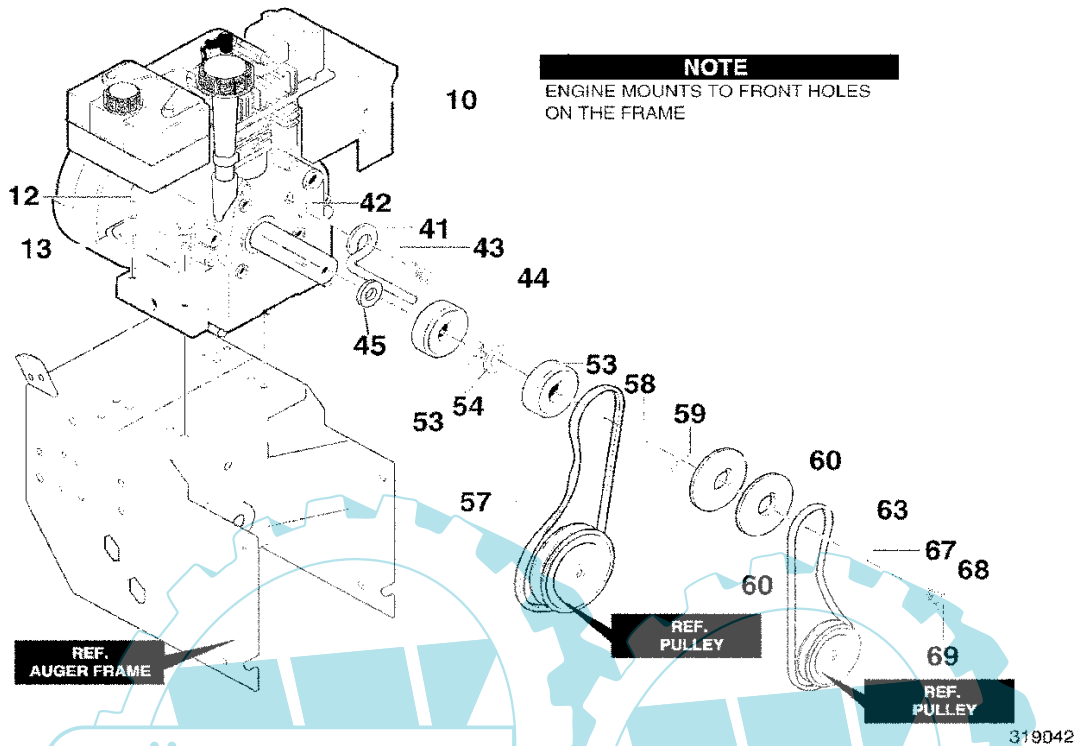
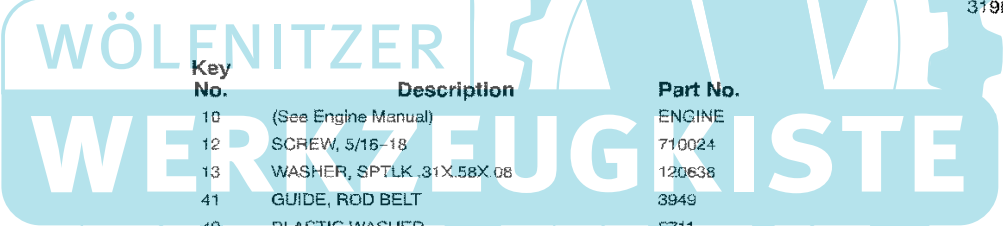


MODEL 633129x54A

REPAIR PARTS  
ENGINE ASSEMBLY



**NOTE**  
ENGINE MOUNTS TO FRONT HOLES  
ON THE FRAME

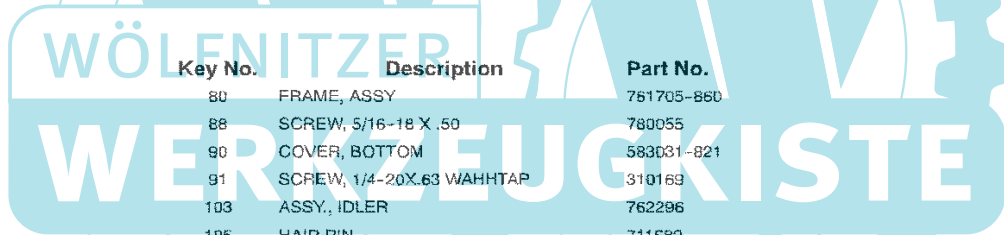
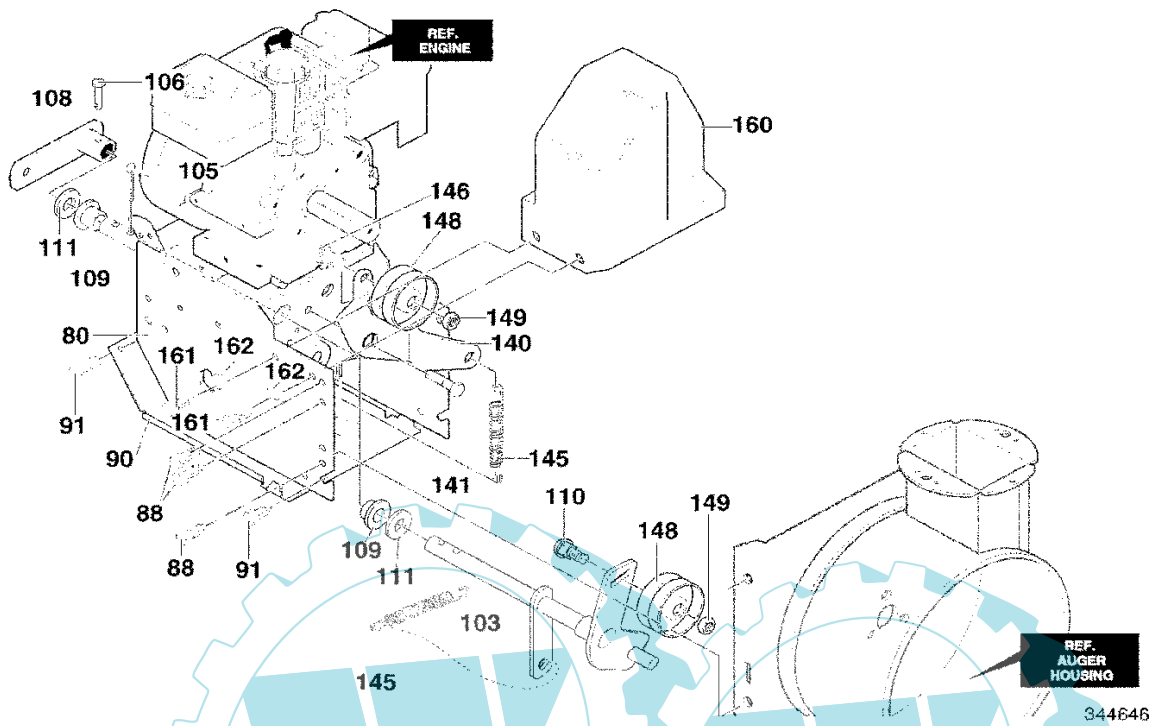


319042

Key No.	Description	Part No.
10	(See Engine Manual)	ENGINE
12	SCREW, 5/16-18	710024
13	WASHER, SPTLK .31X.58X.08	120638
41	GUIDE, ROD BELT	3949
42	PLASTIC WASHER	5711
43	WASHER, SPTLK .31X.58X.08	120638
44	SCREW, 5/16-24X 1.00	910828
45	SPACER	762291
53	PULLEY, HALF	579854
54	WASHER, FLAT .752X.91X.02	579861
57	BELT, V 3L 33.13LG	579932
58	FLATWASHER .765X1.12X.06	712120
59	SPACER, SLEEVE	586251
60	PULLEY, ENGINE	586253
63	BELT, V 4L38.1LG	761788
67	WASHER, FLAT .375X1.25X.104	50677
68	WASHER,HVSPTLK .38ID	18x31
69	SCREW, 3/8-24X1.00	39573
	OWNER'S MANUAL	F-001096J

MODEL 633129x54A

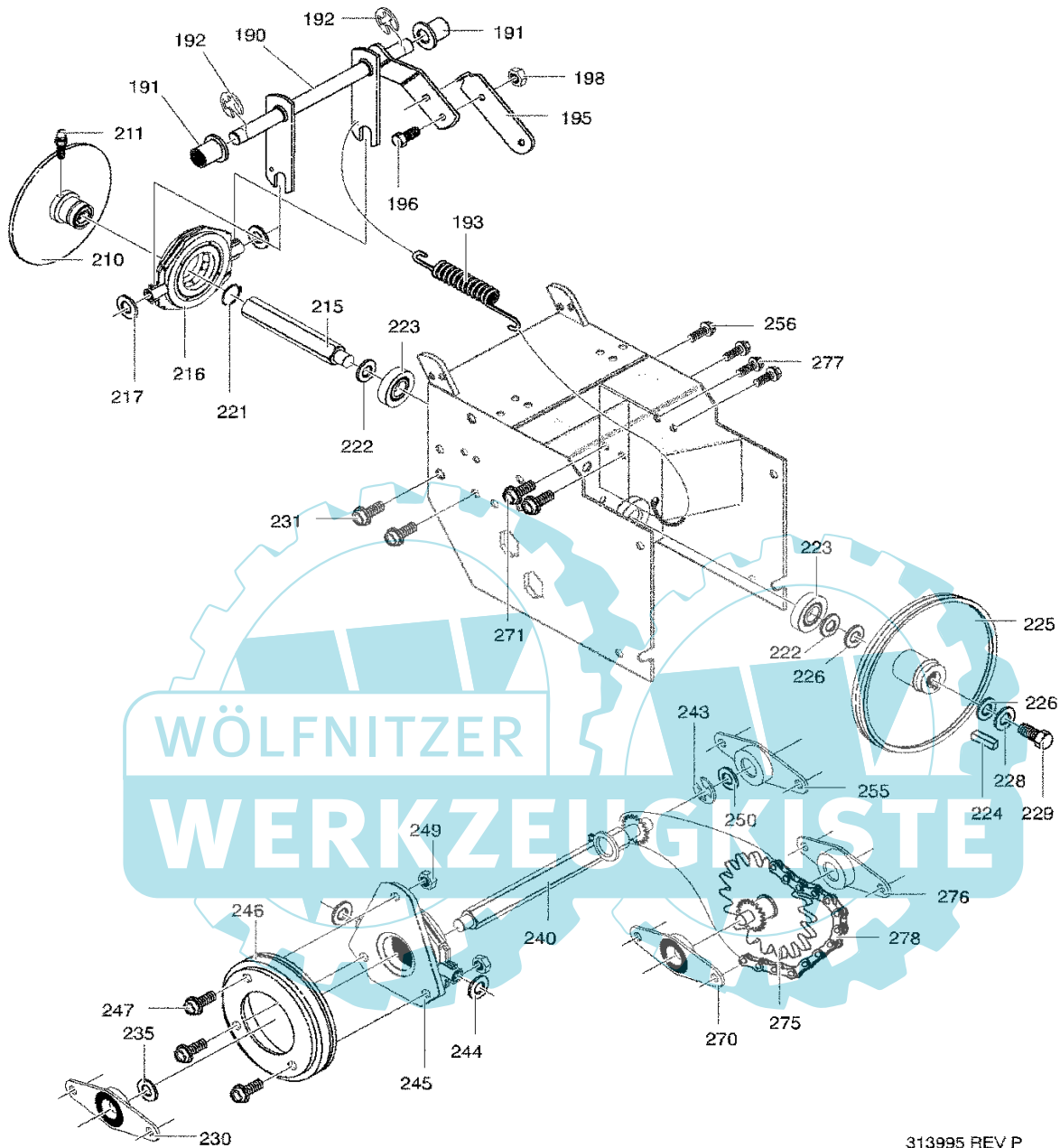
REPAIR PARTS  
FRAME COMPONENTS



Key No.	Description	Part No.
80	FRAME, ASSY	761705-860
88	SCREW, 5/16-18 X .50	780055
90	COVER, BOTTOM	583031-821
91	SCREW, 1/4-20X.63 WAHHTAP	310169
103	ASSY., IDLER	762296
105	HAIR PIN	711682
105	CLIP, KLIK	761761
108	ASSY., SPRING ATTACH WHEEL	761766
109	BEARING, FLANGE	53703
110	BOLT 3/8-16X1.25	585781
111	FLATWASHER	711617
140	LEVER, IDLER ARM TRACTION	761701
141	BOLT, 5/16-18	329989
145	SPRING, IDLER TRACTION DR	53704
146	SCREW, 3/8-16X1.25	761760
148	PULLEY, IDLER	50793
149	NUT, 3/8-16 CTRLKJAM	41529
160	BELT COVER	760481
161	SCREW, 1/4-20X.63 WAHHTAP	310169
162	FLATWASHER, .281X.63X.065	71067

MODEL 633129x54A

REPAIR PARTS  
DRIVE COMPONENTS ASSEMBLY

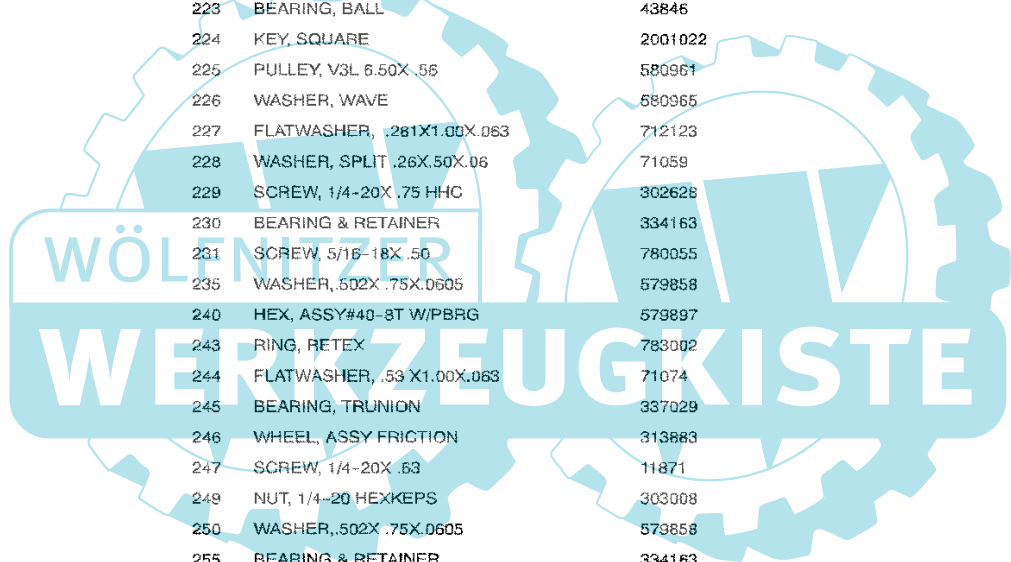


313995 REV P

MODEL 633129x54A

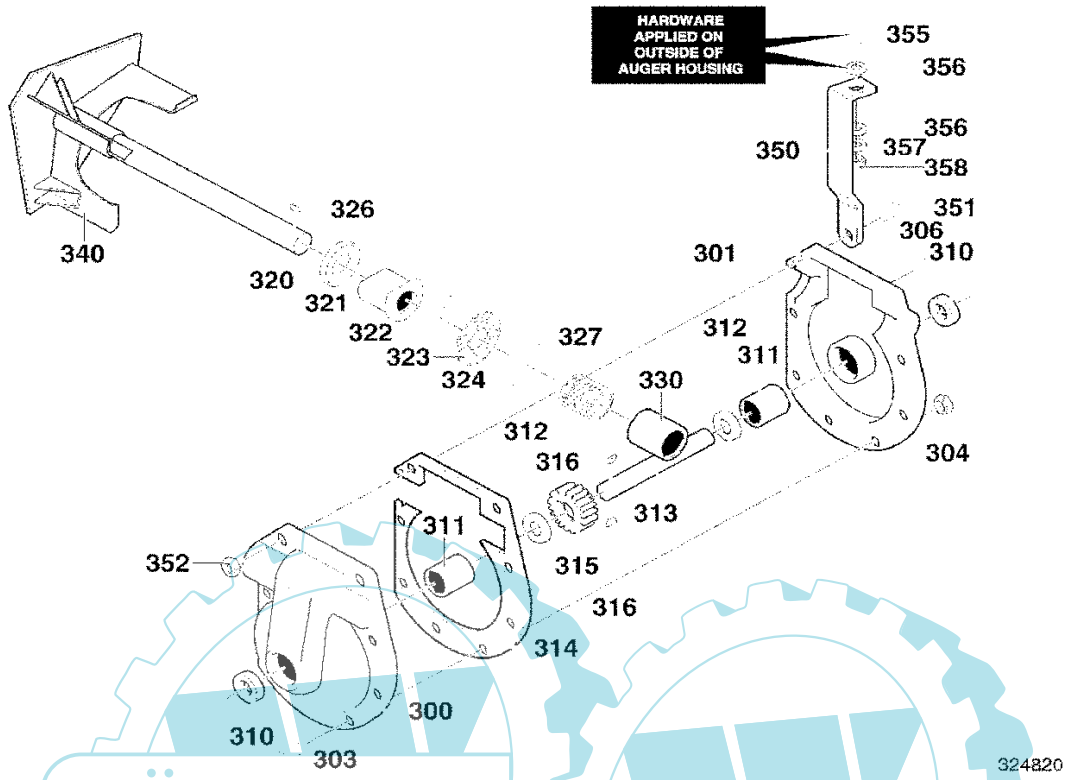
REPAIR PARTS  
DRIVE COMPONENTS ASSEMBLY

Key No.	Description	Part No.
190	LEVER, ASSY TRACTION CLUTCH	761820
191	BEARING, FLANGE	53703
192	RING, RET E	11x16
193	SPRING, RETURN	53818
195	LEVER, SPRING	579937
196	SCREW, 1/4-20X .63	11871
198	NUT, 1/4-20 REGHEXCTRLK	782585
210	DISC, ASSY	583163-853
211	ZERK, GREASE	583206
215	SHAFT, HEX TRACTION	583155
216	BEARING, TRUNION	85501
217	FLATWASHER, .53 X1.00X.063	71074
221	RING, RETEX	73811
222	FLATWASHER, .680X1.12X.060	580969
223	BEARING, BALL	43846
224	KEY, SQUARE	2001022
225	PULLEY, V3L 6.50X .55	580961
226	WASHER, WAVE	580965
227	FLATWASHER, .281X1.00X.063	712123
228	WASHER, SPLIT .26X.50X.06	71059
229	SCREW, 1/4-20X .75 HHC	302628
230	BEARING & RETAINER	334163
231	SCREW, 5/16-18X .50	780055
235	WASHER, .502X .75X.0605	579858
240	HEX, ASSY#40-8T W/PBRG	579897
243	RING, RETEX	783002
244	FLATWASHER, .53 X1.00X.063	71074
245	BEARING, TRUNION	337029
246	WHEEL, ASSY FRICTION	313883
247	SCREW, 1/4-20X .63	11871
249	NUT, 1/4-20 HEXKEPS	303008
250	WASHER, .502X .75X.0605	579858
255	BEARING & RETAINER	334163
256	SCREW, 5/16-18X .50	780055
270	BEARING & RETAINER	334163
271	SCREW, 5/16-18X .50	780055
275	JACK, ASSY#41-36/7	761789
276	BEARING & RETAINER	334163
277	SCREW	780055
278	CHAIN ROLLER	579867



MODEL 633129x54A

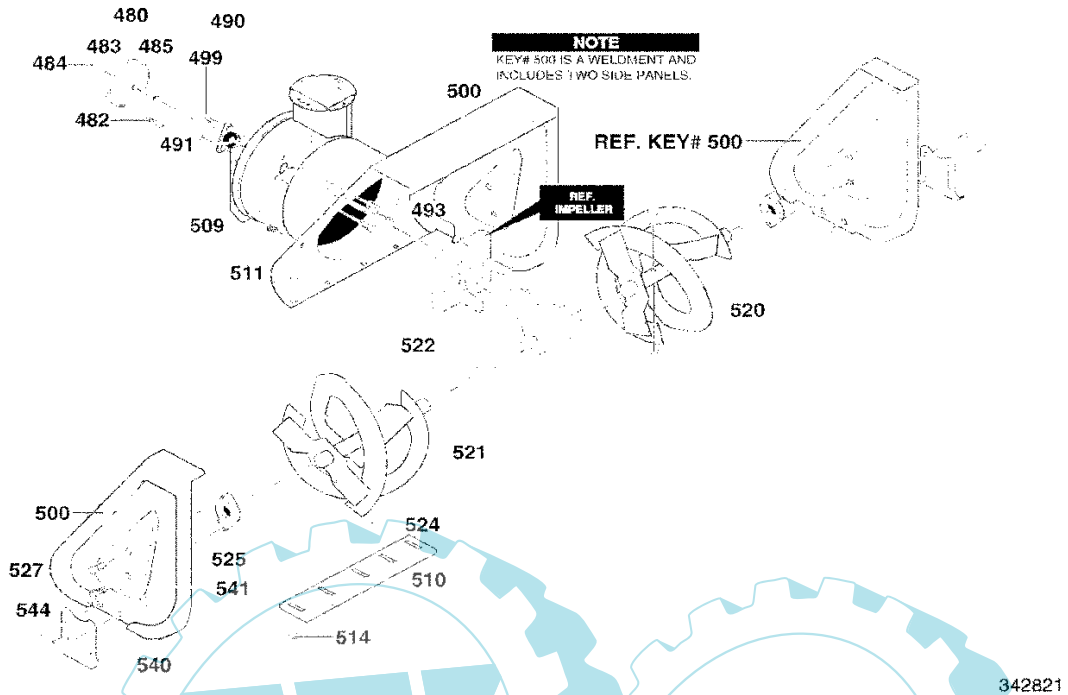
REPAIR PARTS  
GEAR CASE ASSEMBLY



Key No.	Description	Part No.	Key No.	Description	Part No.
300	CASE, GEAR, RH	896	326	KEY	50795
301	CASE, GEAR, LH	895	327	WORM GEAR	313862
303	SCREW, 5/16-24X1.00	910828	330	BEARING, SLEEVE	53731
304	NUT, 5/16-24	71100	340	IMPELLER	761609-621
306	PIPE PLUG	313872	350	BRACE, GEAR BOX	5524
310	SEAL, OIL	780151	351	SCREW, 5/16-24X1.75	1441
311	BEARING, SLEEVE	313870	352	NUT, 5/16-24 HEXWDFLLK	71100
312	WASHER, FLAT 1.00X1.54X.09	313871	355	SCREW, 5/16-18X1.25	302636
313	SHAFT, AUGER OUTPUT	760411	356	WASHER, FLAT .349X.69X.066	120393
314	GASKET, GEAR BOX	897	357	WASHER, SPTLK .31X.58X.08	120538
315	WORM GEAR	53730	358	NUT, 5/16-18 REGHEX	71037
316	KEY, WOODRUFF #91	73905	*	10oz TUBE LUBRIPLATE	333431
320	RING, QUAD	313914			
321	BEARING, FL	583128			
322	WASHER, FLAT	48275			
323	BEARING, ROLL	313828			
324	WASHER, FLAT	48275			

MODEL 633129x54A

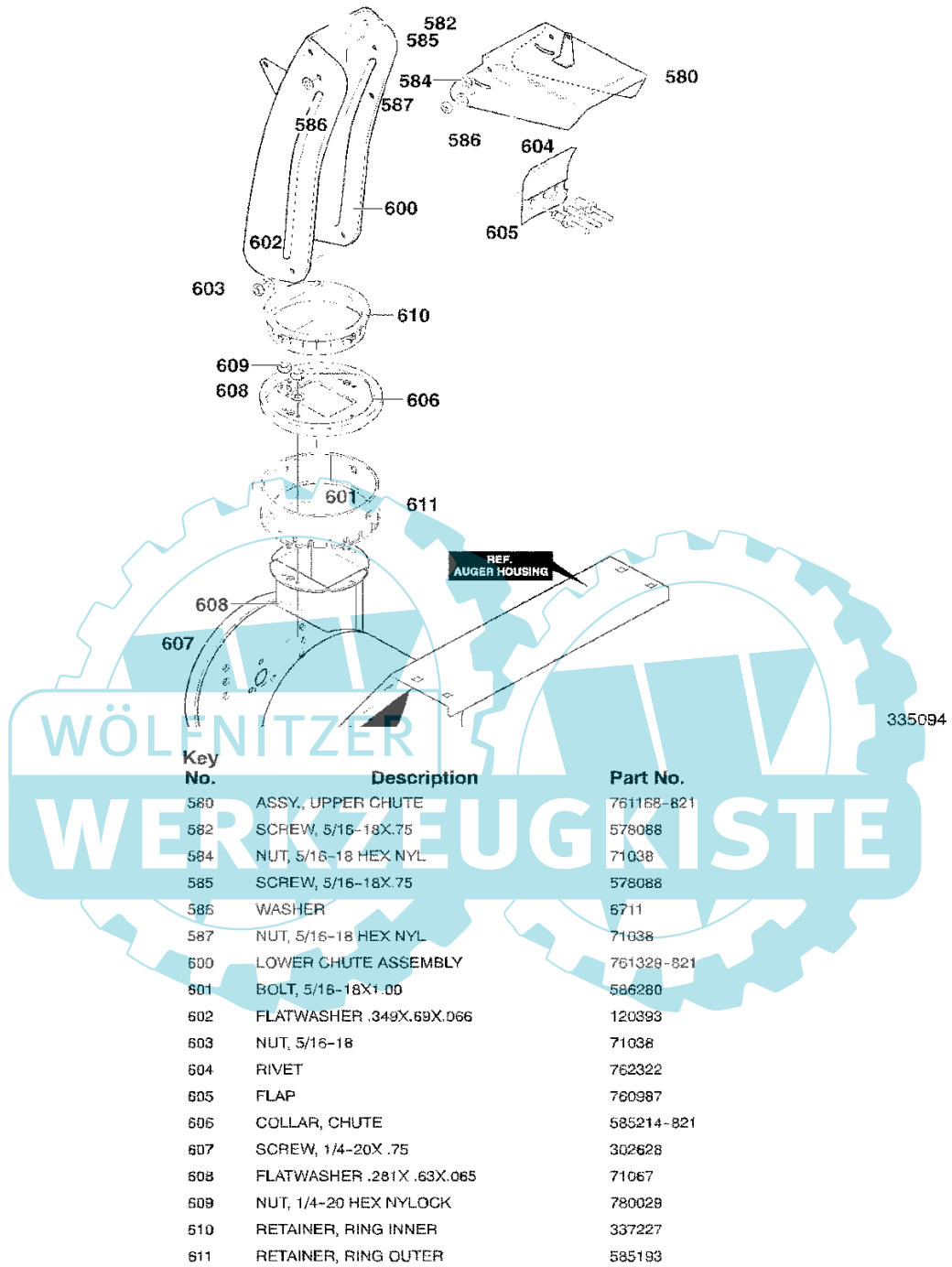
REPAIR PARTS  
AUGER HOUSING ASSEMBLY



Key No.	Description	Part No.	Key No.	Description	Part No.
480	PULLEY, V4L	583146	522	BOLT	578647
482	KEY, SQUARE	2001022	524	NUT, 5/16-18 REGHXCTRLK	1498
483	WASHER, FLAT .53X1.00X.063	71074	525	BEARING, AUGER SHAFT	53757
484	NUT, 1/2-20 REGHEXCTRLK	712121	527	SCREW, 5/16-18X.75	782967
485	SPACER, SLEV	334514	540	SKID, HEIGHT ADJUST	762379-821
490	RETAINER, BALL	582960	541	BOLT, 5/16-18X .75	340720
491	BEARING, BALL	43846	544	NUT, 5/16-18 REGHEX	710026
493	SCREW, 5/16-18X .75	313676	545	STIFFENER	760717-860
499	NUT, 5/16-18	710026	546	BOLT, 5/16-18	340720
500	HOUSING, ASSY	761878-860	547	FLATWASHER	120393
509	PLUG, CHRISTMAS TREE	760040	549	NUT 5/16-18	710026
510	SCRAPER BLADE	760668-821			
511	BOLT, 1/4-20X.75 CARR.	340720			
514	NUT, 5/16-18 HEXWDFLLK WHIZ	710026			
520	AUGER, LH	760318-821			
521	AUGER, RH	760308-821			

MODEL 633129x54A

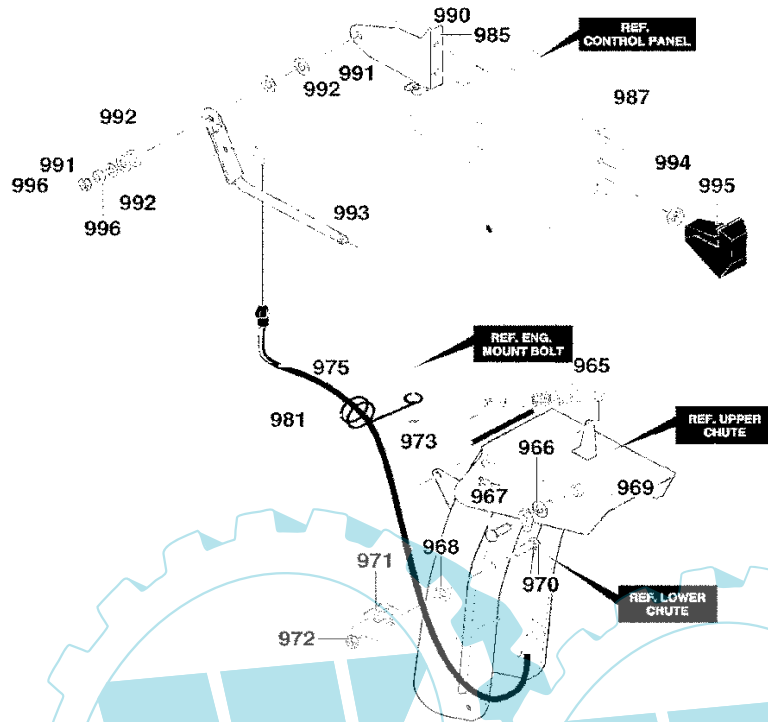
REPAIR PARTS  
DISCHARGE CHUTE ASSEMBLY



Key No.	Description	Part No.
580	ASSY., UPPER CHUTE	761168-821
582	SCREW, 5/16-18X.75	578088
584	NUT, 5/16-18 HEX NYL	71038
585	SCREW, 5/16-18X.75	578088
586	WASHER	6711
587	NUT, 5/16-18 HEX NYL	71038
600	LOWER CHUTE ASSEMBLY	761320-821
601	BOLT, 5/16-18X1.00	586280
602	FLATWASHER .349X.69X.066	120393
603	NUT, 5/16-18	71038
604	RIVET	762322
605	FLAP	760987
606	COLLAR, CHUTE	585214-821
607	SCREW, 1/4-20X .75	302628
608	FLATWASHER .281X .63X.065	71067
609	NUT, 1/4-20 HEX NYLOCK	780029
610	RETAINER, RING INNER	337227
611	RETAINER, RING OUTER	585193

MODEL 633129x54A

REPAIR PARTS  
REMOTE CHUTE CONTROL



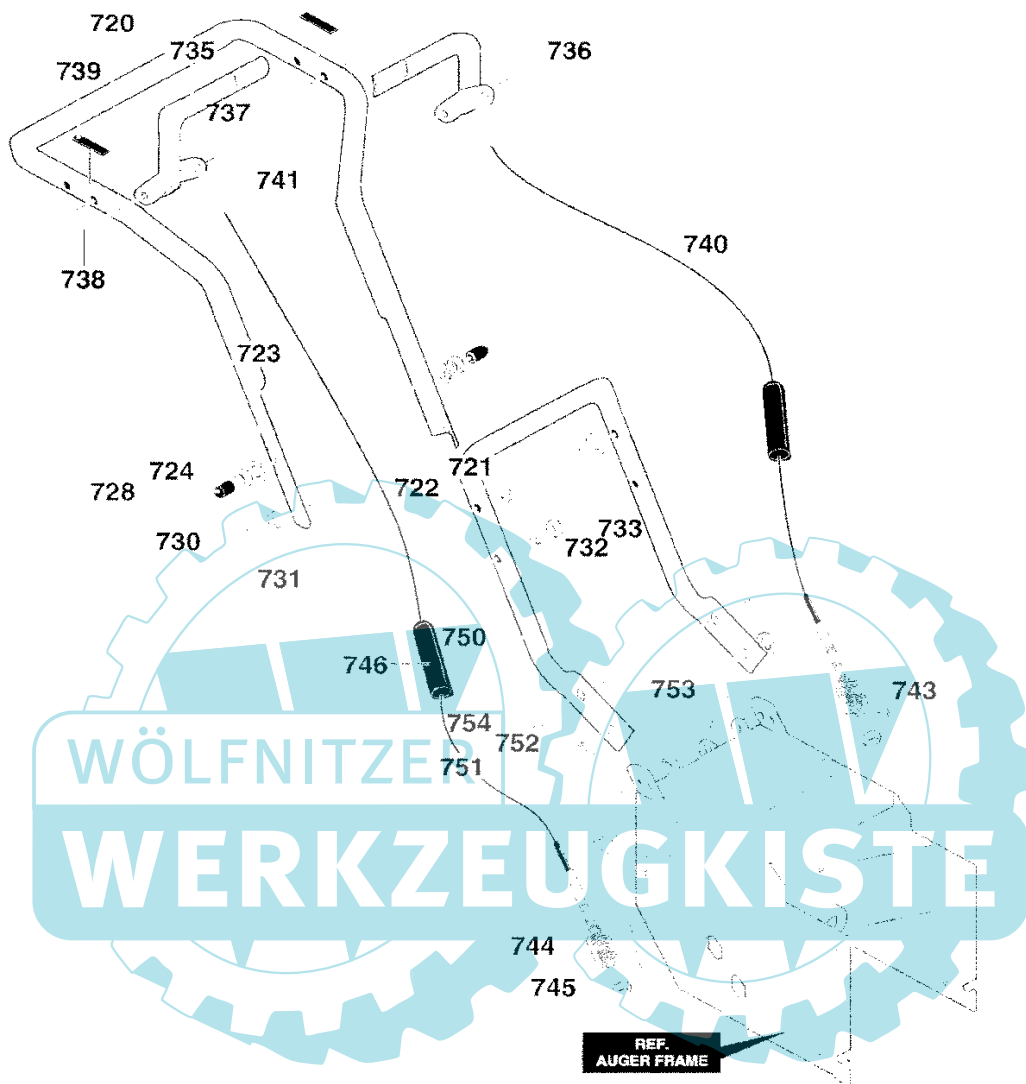
344583

Key No.	Description	Part No.
965	TENSION SPRING	318468
966	FLATWASHER	711666
967	BOLT	310088
968	FLATWASHER	73787
969	NUT	302635
970	SCREW	313676
971	BRACKET, CABLE CHUTE	780066
972	NUT	1498
973	TRIM STRIP, BLACK	779024
975	CABLE, CHUTE DEFLECTOR	761775
981	WIRE FORM, REMOTE CHUTE CABLE	780220
985	BRACKET, SNAP-IN REMOTE	761669-821
987	SCREW	310169
990	SCREW	180128
991	WASHER, FLAT	71072
992	WASHER, SPRING	4051
993	HANDLE, ASSY	904056-821
994	NUT	124829
995	KNOB, SHIFT	304437
996	NUT	71046



MODEL 633129x54A

REPAIR PARTS  
HANDLE

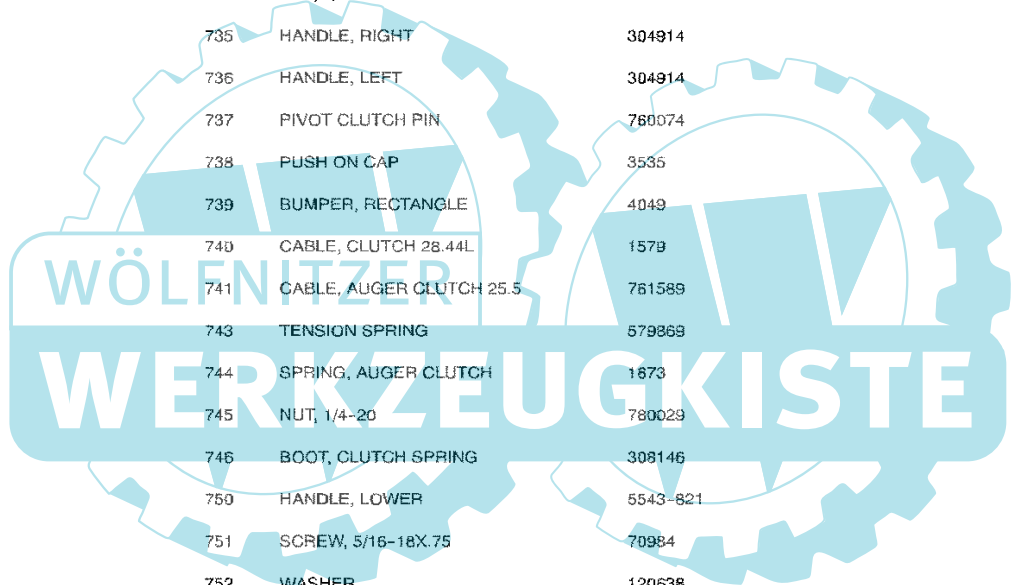


334172

MODEL 633129x54A

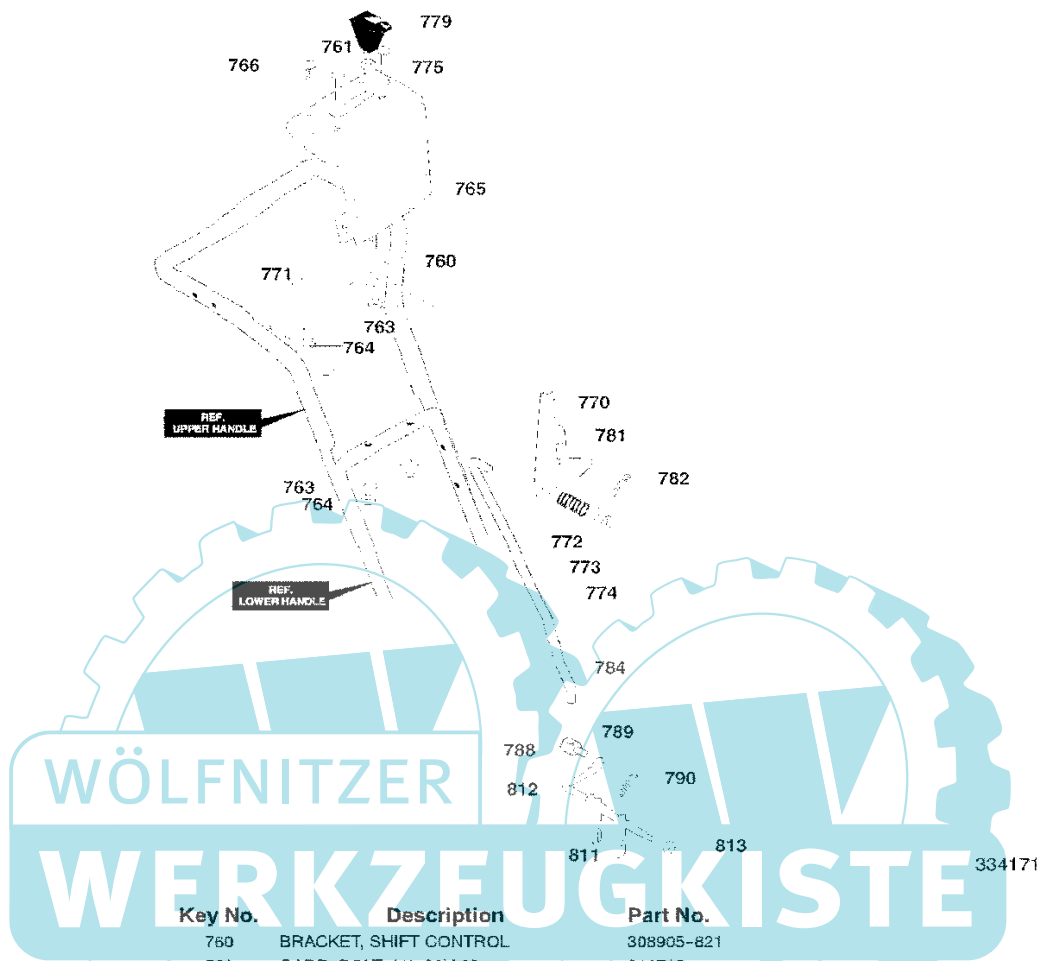
REPAIR PARTS  
HANDLE

Key No.	Description	Part No.
720	HANDLE, UPPER LOOP	310614-821
721	SCREW, 3/8-16X3.00	7238
722	WASHER, FLAT	71072
723	WASHER	18x31
724	NUT, 3/8-16	780072
728	STOP, PLASTIC	7289
730	SCREW, 3/8-16X2.00	71007
731	WASHER, FLAT	71072
732	WASHER	18x31
733	NUT, 3/8-16	780072
735	HANDLE, RIGHT	304914
736	HANDLE, LEFT	304914
737	PIVOT CLUTCH PIN	780074
738	PUSH ON CAP	3535
739	BUMPER, RECTANGLE	4049
740	CABLE, CLUTCH 28.44L	1579
741	CABLE, AUGER CLUTCH 25.5	761589
743	TENSION SPRING	579869
744	SPRING, AUGER CLUTCH	1673
745	NUT, 1/4-20	780029
746	BOOT, CLUTCH SPRING	308146
750	HANDLE, LOWER	5543-821
751	SCREW, 5/16-18X.75	70984
752	WASHER	120638
753	NUT, 5/16-18	1498
754	SCREW, 5/16-18X.75	782967



MODEL 633129x54A

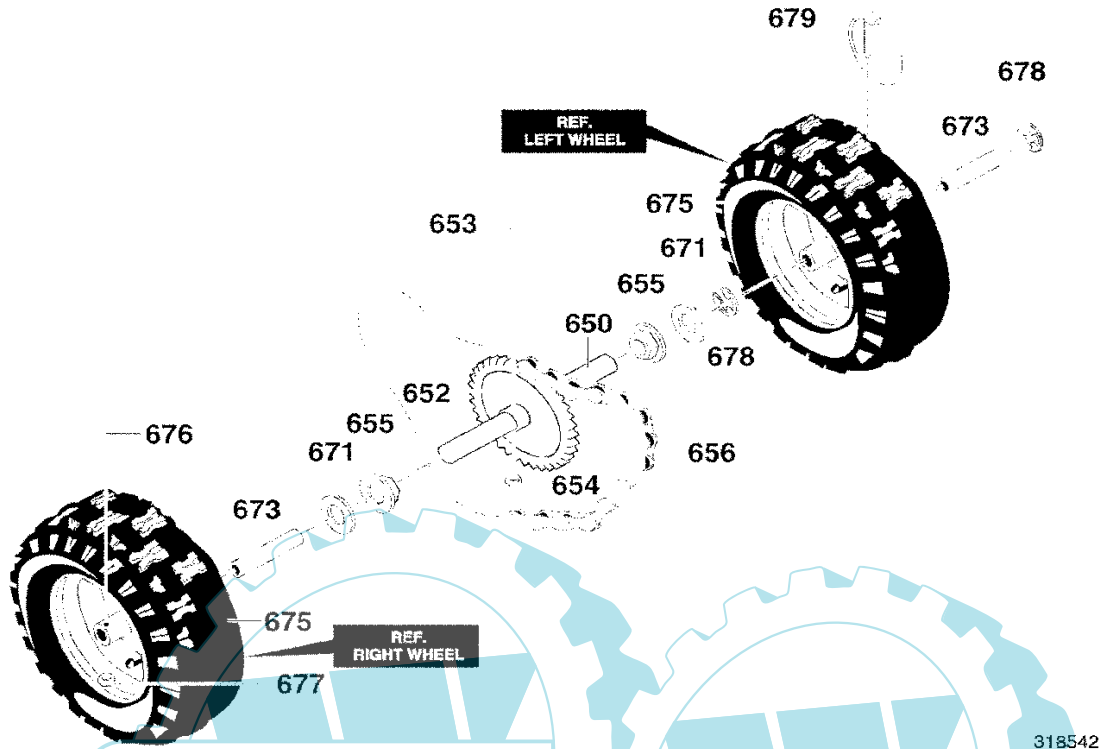
REPAIR PARTS  
CONTROL PANEL



Key No.	Description	Part No.
760	BRACKET, SHIFT CONTROL	308905-821
761	CARR. BOLT, 1/4-20X.63	340715
763	WASHER	71059
764	NUT, 1/4-20	120375
765	CONTROL PANEL	761973-821
766	CARR. BOLT, 1/4-20X2.00	762148
770	SHIFT LEVER ASSY	305260-821
771	SCREW, 5/16-18X1.75	302900
772	SPRING	313842
773	WASHER, FLAT	120393
774	NUT, 5/16-16 HEXNYL	71038
775	NUT, 3/8-16 HEXJAM	124829
779	KNOB, SHIFT	306699
781	WASHER, FLAT	120393
782	PIN, COTTER	30x20
784	ROD, SPEED CONTROL	761668
788	NUT, TRUNNION 5/16-24	584593
789	WASHER, FLAT	120393
790	PIN, COTTER	30x20
811	FLANGED BEARING	579944
812	ROD ASSY, YOKE PANEL	337436
813	NUT, 3/8-16 HEX	71111

MODEL 633129x54A

REPAIR PARTS  
WHEELS ASSEMBLY

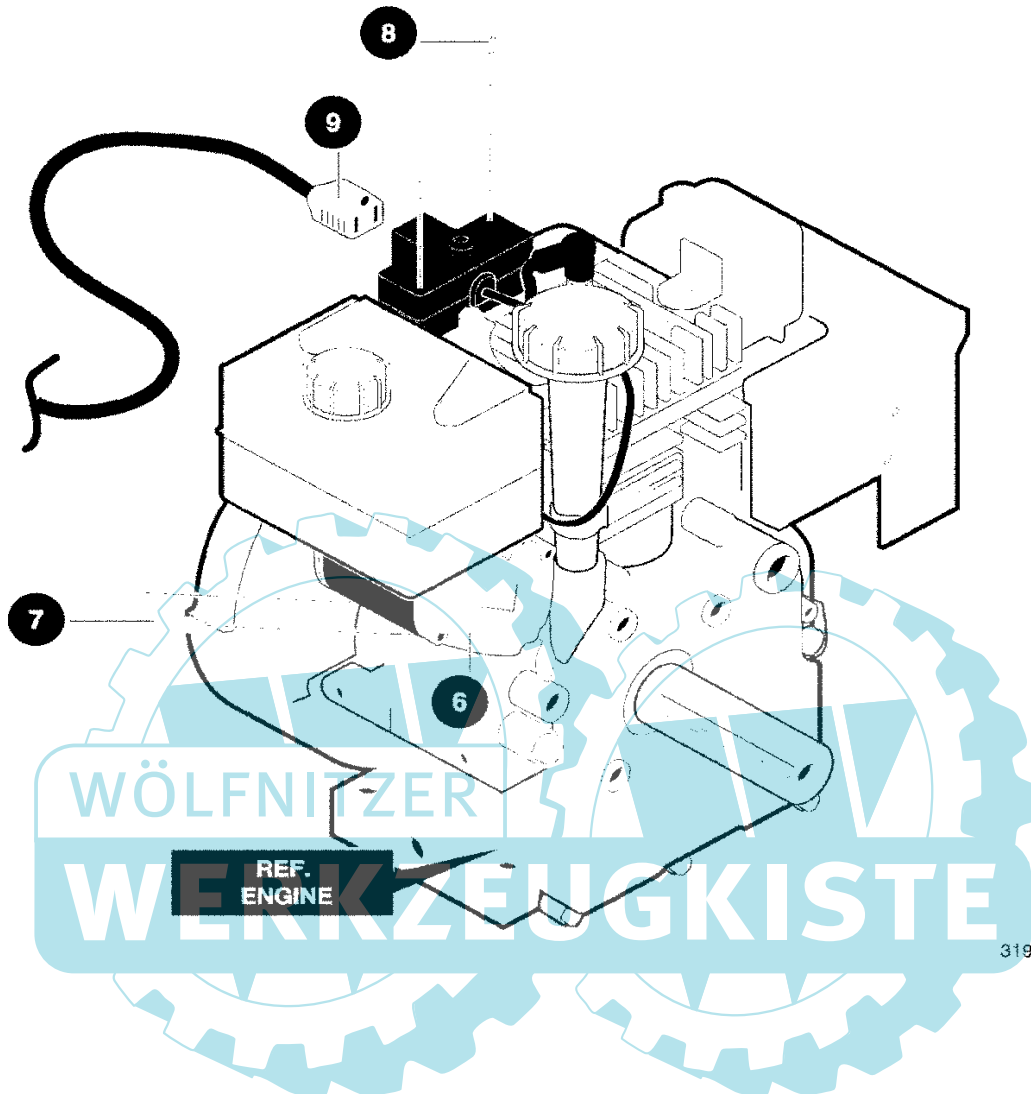


WÖLFNITZER  
**WERKZEUGKISTE**

Key No.	Description	Part No.
650	SHAFT, AXLE	583017
652	SPRKT & HUB	583007
653	SCREW, 1/4-20X2.25	73839
654	NUT, 1/4-20 HEX NYLOCK	780029
655	BRNG, FL	581730
656	CHAIN, ROLLER	583013
671	FLATWASHER .765X1.12X.06	712120
673	BUSHING, WHEEL	585591
675	TIRE & RIM	584535
676	SCREW, 1/4-20X1.75 HH	577015
677	NUT, 1/4-20 HEX NYLOCK	780029
678	RING, RET	239
679	PIN, KLIK .25 X 1.38 DIA	73842

MODEL 633129x54A

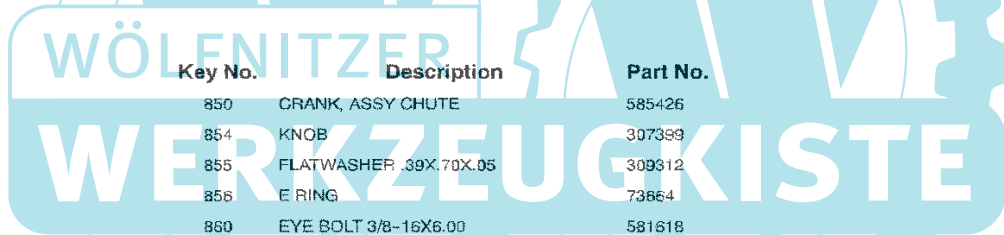
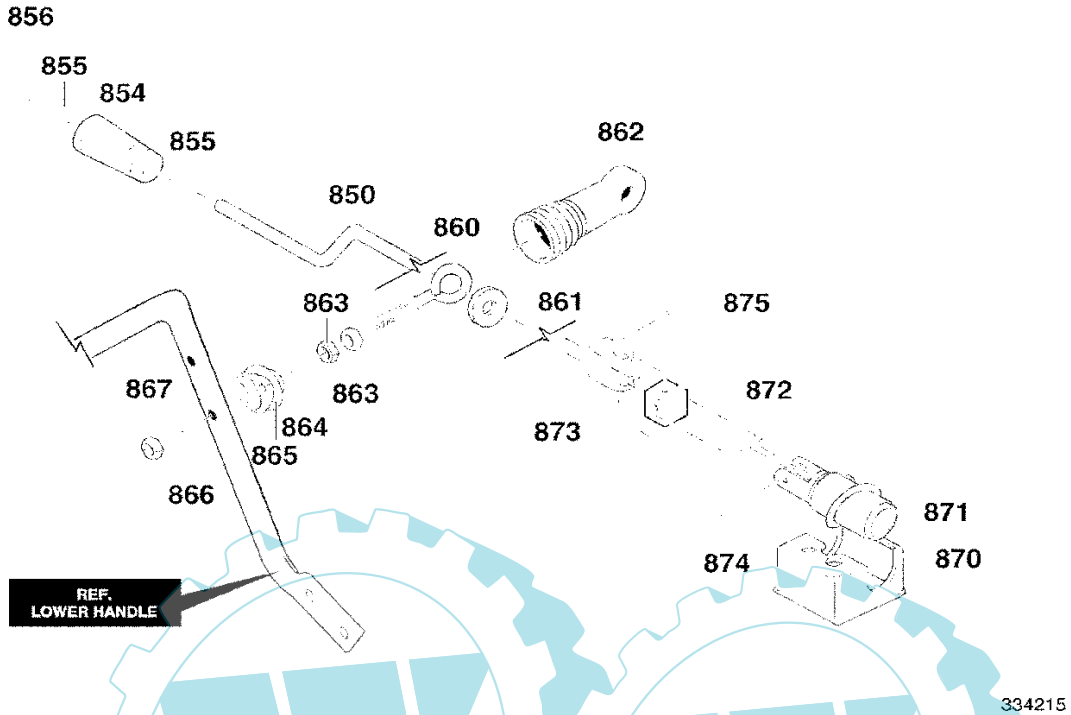
REPAIR PARTS  
ELECTRIC START ASSEMBLY



Key No.	Description	Part No.
6	MOTOR, STARTER	6218
7	SCREW	6216
8	SCREW	6217
9	CORD, STARTER	761332

MODEL 633129x54A

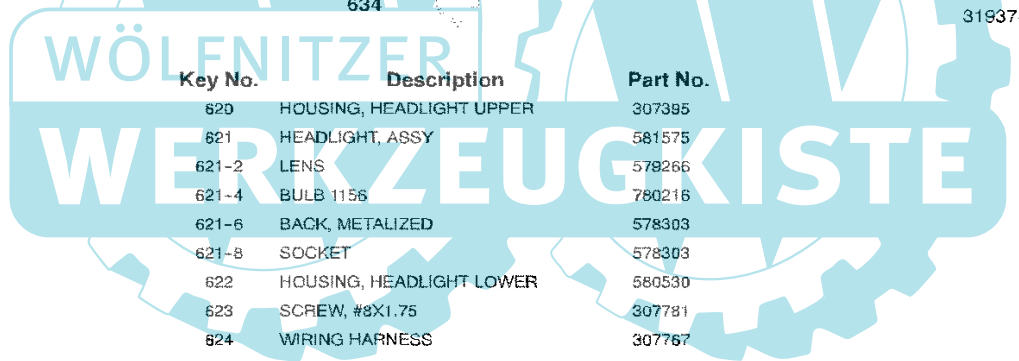
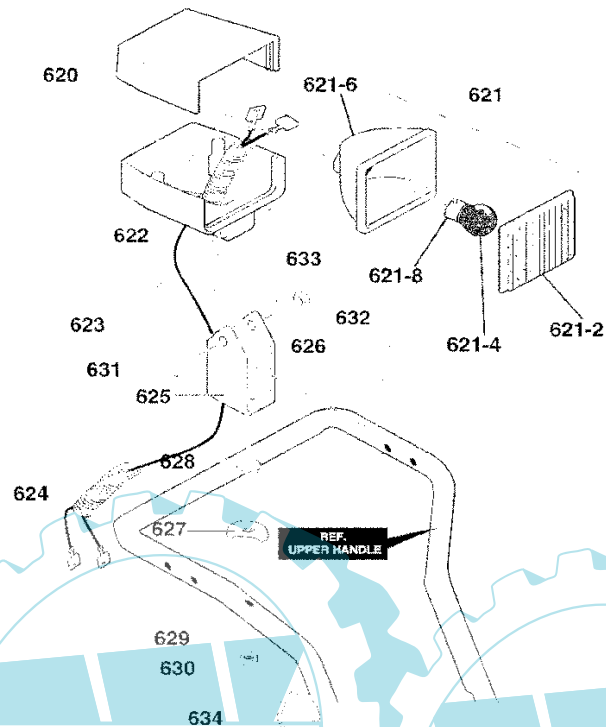
REPAIR PARTS  
CHUTE ROD



Key No.	Description	Part No.
850	CRANK, ASSY CHUTE	585426
854	KNOB	307399
855	FLATWASHER .39X.70X.05	309312
856	E RING	73664
860	EYE BOLT 3/8-16X6.00	581618
861	GROMMET, EYE BOLT	148
862	BOOT	308145
863	NUT, 3/8-16 HEXJAM	124829
864	FLATWASHER .406X.81X.066	71072
865	ADAPTER, BOOT TO HANDLE	309344
866	FLATWASHER .406X.81X.066	71072
867	NUT, 3/8-16 HEXNYL	71046
870	BRACKET, WORM MTG	585195
871	WORM, GEAR CHUTE ROTATION	585196
872	BLOCK, UNIVERSAL PIVOT	578063
873	CLEVIS PIN	578309
874	PIN, UNIVERSAL JOINT	578060
875	COTTER PIN	579493

MODEL 633129x54A

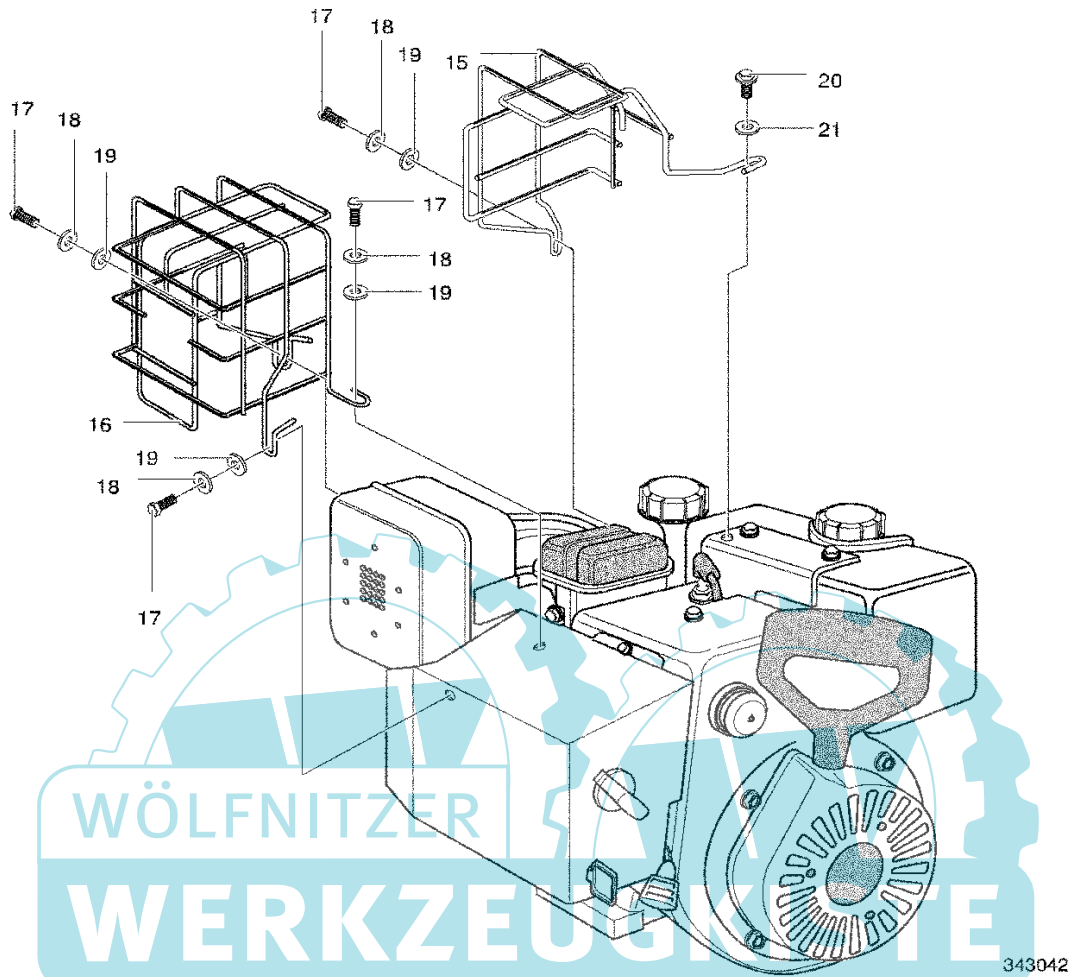
REPAIR PARTS  
HEADLIGHT



Key No.	Description	Part No.
620	HOUSING, HEADLIGHT UPPER	307395
621	HEADLIGHT, ASSY	581575
621-2	LENS	579266
621-4	BULB 1156	780216
621-6	BACK, METALIZED	578303
621-8	SOCKET	578303
622	HOUSING, HEADLIGHT LOWER	580530
623	SCREW, #8X1.75	307781
624	WIRING HARNESS	307767
625	BRACKET, HEADLIGHT	4030
626	BOLT, 5/16-18X1.75 CARR.	4160
627	WASHER, SADDLE	580527
628	WASHER, EXLK .32X.60X.040	71061
629	WASHER, SPTLK .31X.58X.08	120638
630	NUT, 5/16-18 REGHEX	71037
631	SCREW, 5/16-18X2.00	235
632	WASHER, SPTLK	120638
633	NUT, 5/16-18 REGHEX	71037
634	TIE, CABLE	57444

MODEL 633129x54A

REPAIR PARTS  
MUFFLER GUARD



Key No.	Description	Part No.
15	GUARD, RIGHT MUFFLER	578936
16	GUARD, LEFT MUFFLER	578937
17	SCREW	304807
18	WASHER	304810
19	WASHER	304809
20	SCREW	310169
21	WASHER	71067