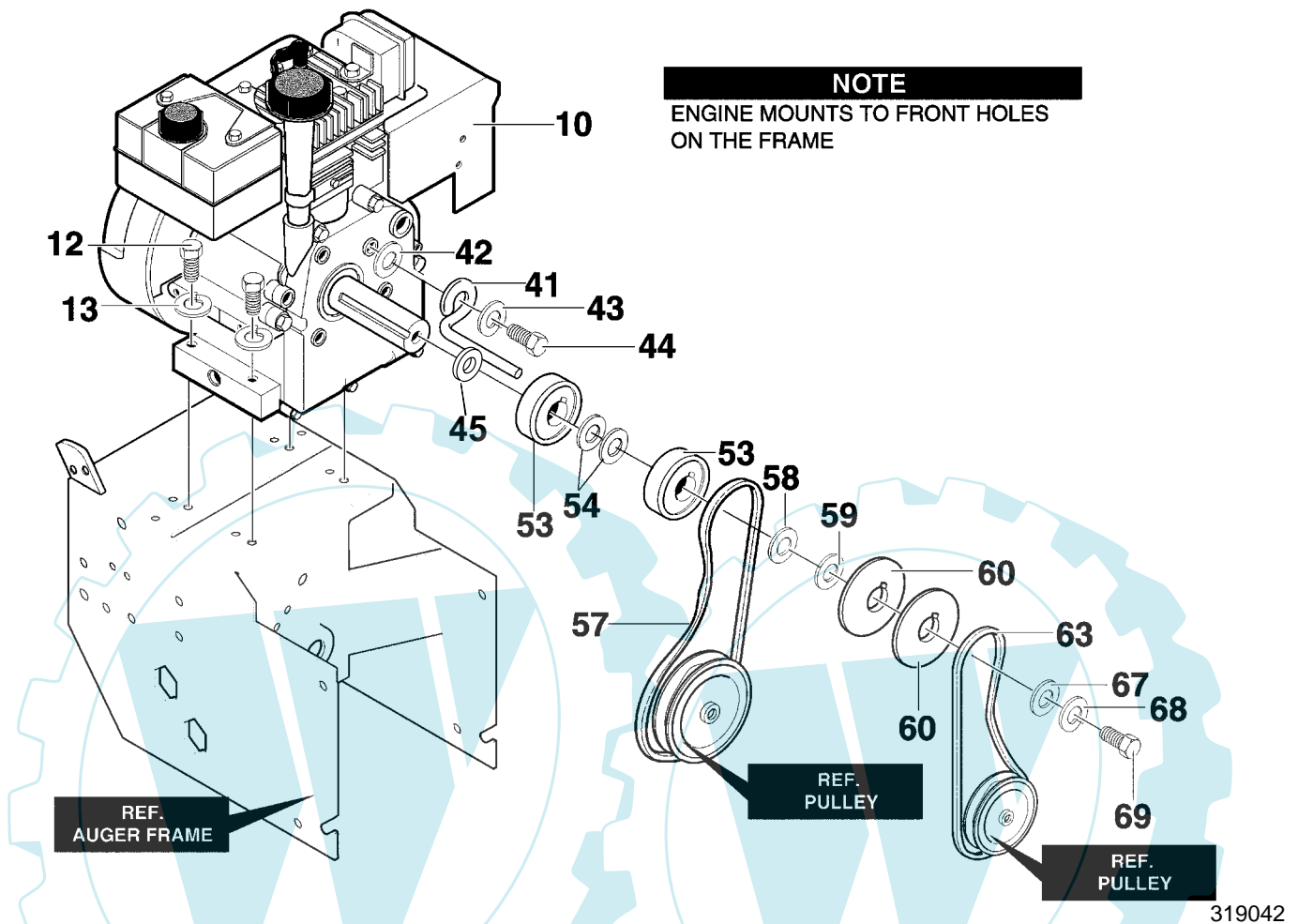


MODEL 631114x61A

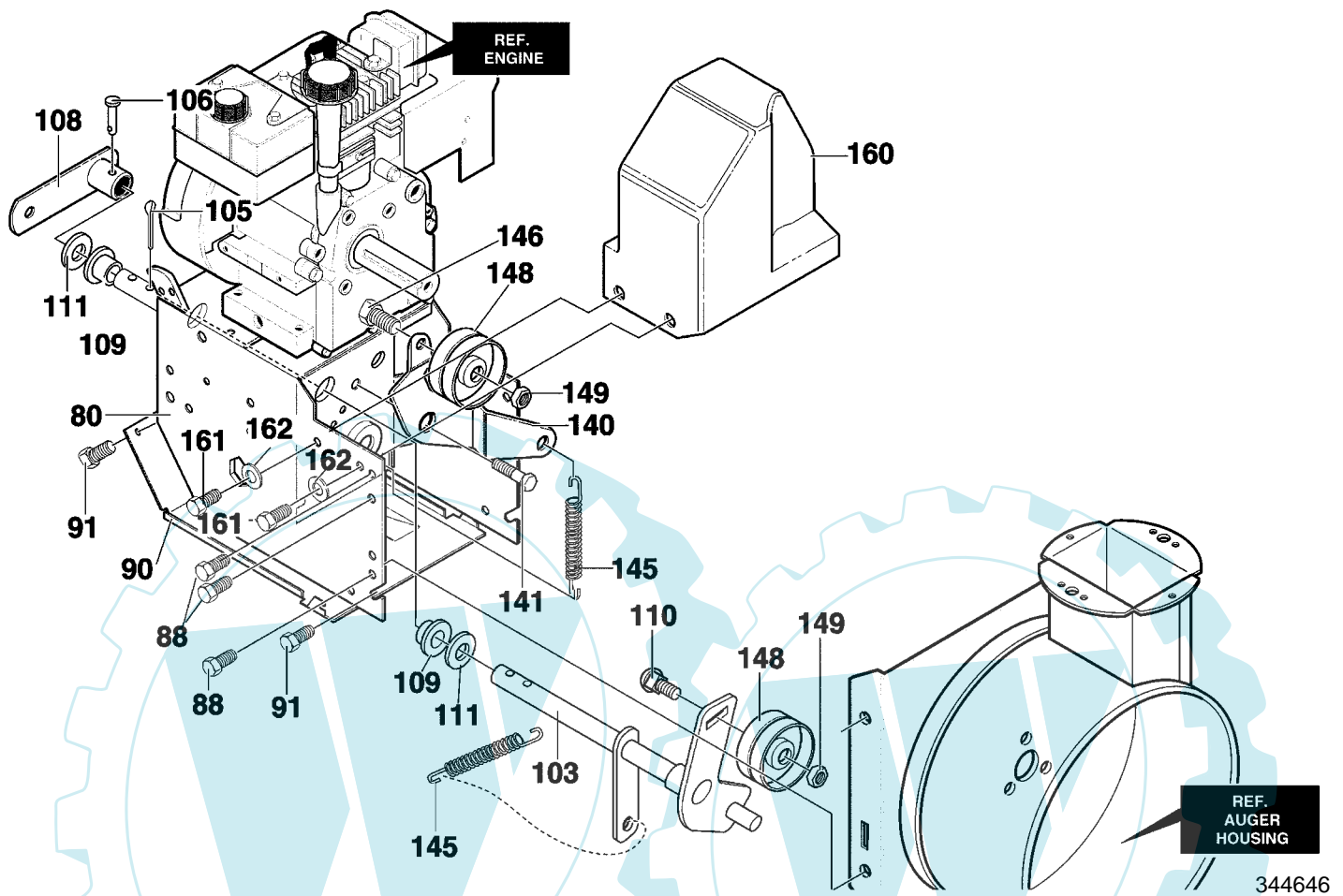
REPAIR PARTS
ENGINE ASSEMBLY



| Key No. | Description | Part No. |
|---------|----------------------|-----------|
| 10 | (See Engine Manual) | ENGINE |
| 12 | SCREW, 5/16-18 | 710024 |
| 13 | WASHER | 71060 |
| 41 | GUIDE, ROD BELT | 3949 |
| 42 | PLASTIC WASHER | 6711 |
| 43 | WASHER | 71060 |
| 44 | SCREW, 5/16-24X 1.00 | 910828 |
| 45 | SPACER | 762291 |
| 53 | PULLEY, HALF | 579854 |
| 54 | WASHER, FLAT | 579861 |
| 57 | BELT, V | 579932 |
| 58 | WASHER | 712120 |
| 59 | SPACER, SLEEVE | 586251 |
| 60 | PULLEY, ENGINE | 586253 |
| 63 | BELT, V | 585416 |
| 67 | WASHER, FLAT | 50677 |
| 68 | WASHER | 71063 |
| 69 | SCREW, 3/8-24X1.00 | 71015 |
| — | OWNER'S MANUAL | F-021064L |

MODEL 631114x61A

REPAIR PARTS
FRAME COMPONENTS

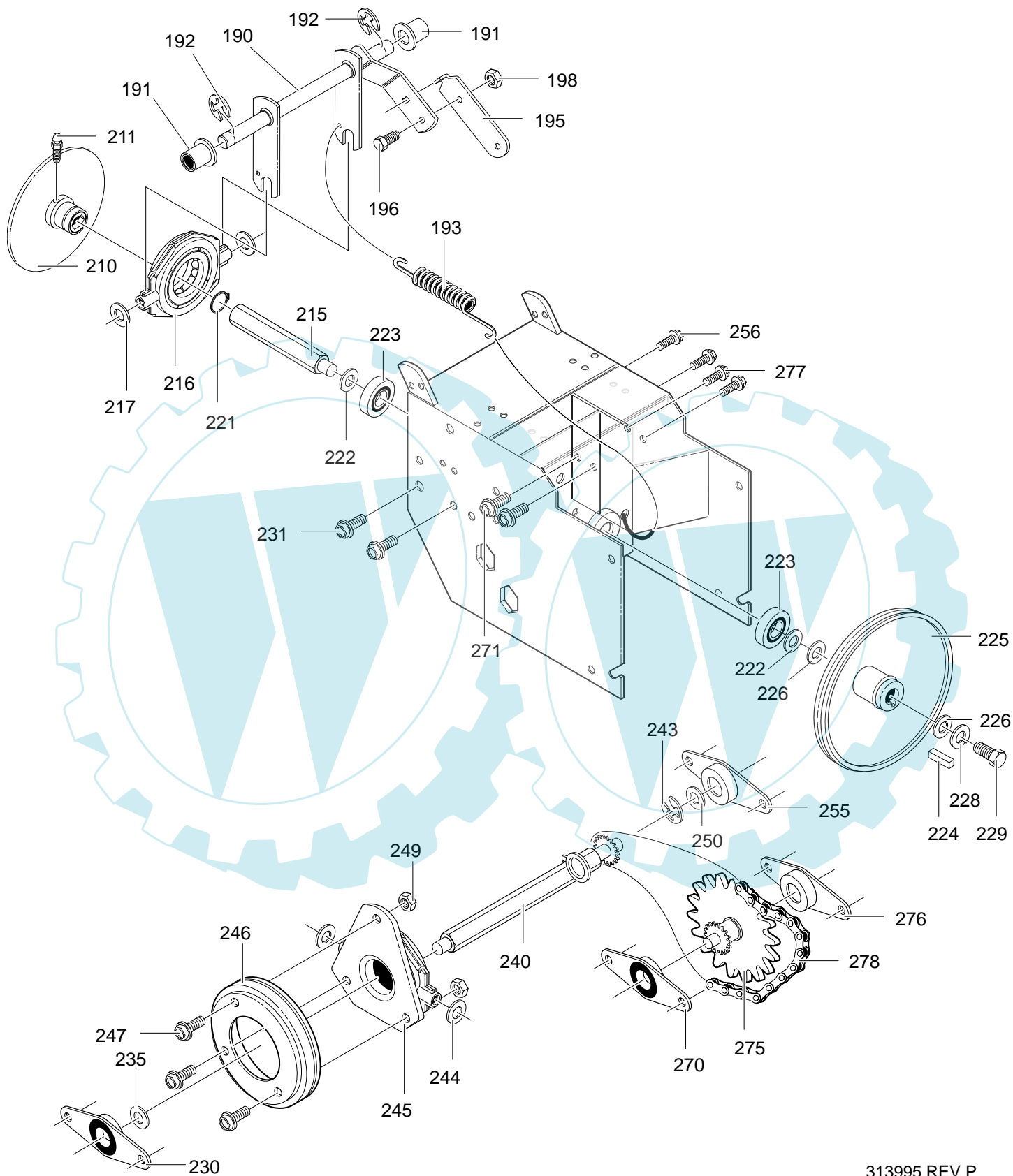


| Key No. | Description | Part No. |
|---------|---------------------------|------------|
| 80 | FRAME, ASSY | 761705-892 |
| 88 | SCREW, 5/16-18 X .50 | 780055 |
| 90 | COVER, BOTTOM | 583031-853 |
| 91 | SCREW, 1/4-20X.63 WAHHTAP | 310169 |
| 103 | ASSY., IDLER | 762296 |
| 105 | HAIR PIN | 711682 |
| 106 | CLIP, KLIK | 761761 |
| 108 | ASSY.,SPRING ATTACH WHEEL | 761766 |
| 109 | BEARING, FLANGE | 53703 |
| 110 | BOLT 3/8-16X1.25 | 585781 |
| 111 | FLATWASHER | 711617 |
| 140 | LEVER, IDLER ARM TRACTION | 761701 |
| 141 | BOLT, 5/16-18 | 329989 |
| 145 | SPRING, IDLER TRACTION DR | 53704 |
| 146 | SCREW, 3/8-16X1.25 | 761760 |
| 148 | PULLEY, IDLER | 50793 |
| 149 | NUT, 3/8-16 CTRLKJAM | 590 |
| 160 | BELT COVER | 760479 |
| 161 | SCREW, 1/4-20X.63 WAHHTAP | 310169 |
| 162 | FLATWASHER, .281X.63X.065 | 71067 |

344646

MODEL 631114x61A

REPAIR PARTS DRIVE COMPONENTS ASSEMBLY



313995 REV P

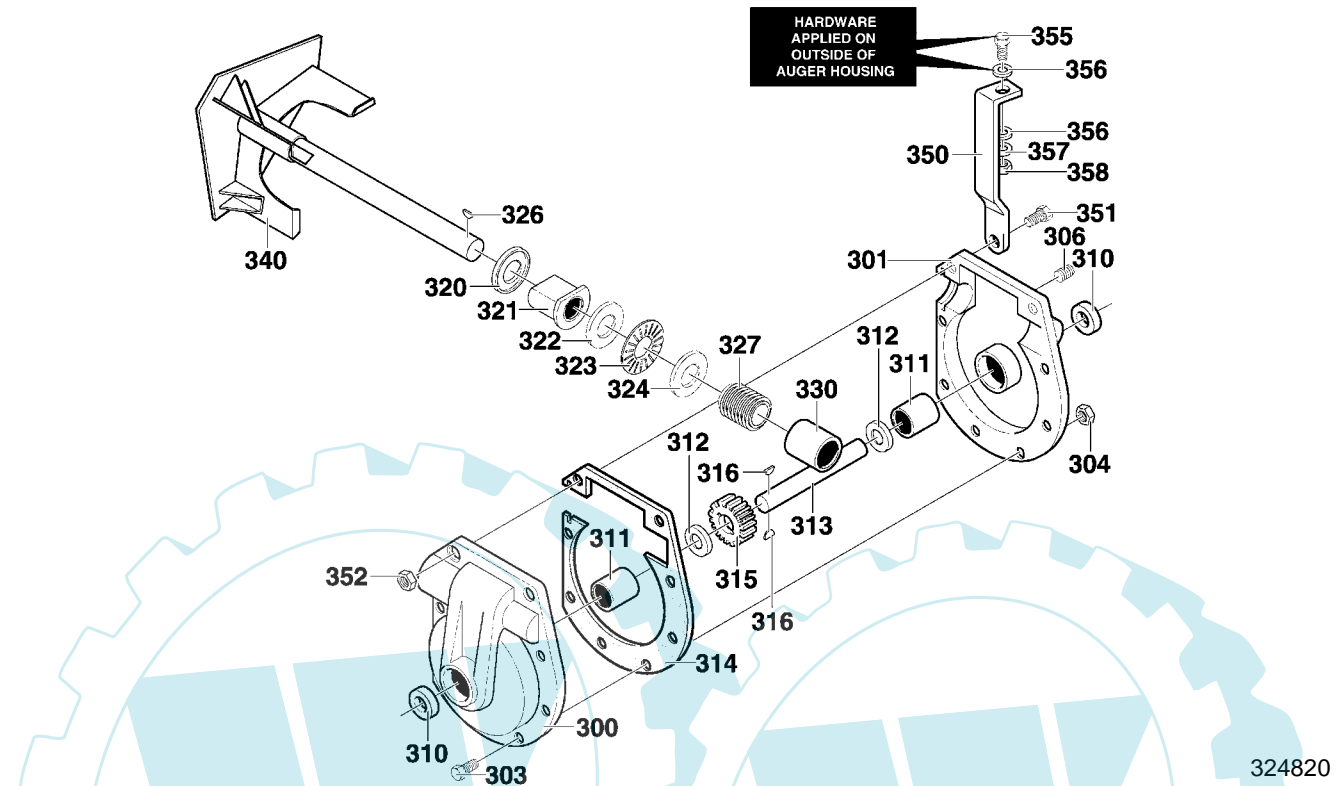
MODEL 631114x61A

**REPAIR PARTS
DRIVE COMPONENTS ASSEMBLY**

| Key No. | Description | Part No. |
|----------------|-----------------------------|-----------------|
| 190 | LEVER, ASSY TRACTION CLUTCH | 761820 |
| 191 | BEARING, FLANGE | 53703 |
| 192 | RING, RET E | 20864 |
| 193 | SPRING, RETURN | 53818 |
| 195 | LEVER, SPRING | 579937 |
| 196 | SCREW, 1/4-20X .63 | 11871 |
| 198 | NUT, 1/4-20 REGHEXCTRLK | 73826 |
| 210 | DISC, ASSY | 583163-853 |
| 211 | ZERK, GREASE | 583206 |
| 215 | SHAFT, HEX TRACTION | 583155 |
| 216 | BEARING, TRUNION | 85501 |
| 217 | FLATWASHER, .53 X1.00X.063 | 71074 |
| 221 | RING, RETEX | 73811 |
| 222 | FLATWASHER, .680X1.12X.060 | 580969 |
| 223 | BEARING, BALL | 43846 |
| 224 | KEY, SQUARE | 71371 |
| 225 | PULLEY, V3L 6.50X .56 | 580961 |
| 226 | WASHER, WAVE | 580965 |
| 227 | FLATWASHER, .281X1.00X.063 | 712123 |
| 228 | WASHER, SPLIT .26X.50X.06 | 71059 |
| 229 | SCREW, 1/4-20X .75 HHC | 1x176 |
| 230 | BEARING & RETAINER | 334163 |
| 231 | SCREW, 5/16-18X .50 | 780055 |
| 235 | WASHER, .502X .75X.0605 | 579858 |
| 240 | HEX, ASSY#40-8T W/PBRG | 579897 |
| 243 | RING, RETEX | 783002 |
| 244 | FLATWASHER, .53 X1.00X.063 | 71074 |
| 245 | BEARING, TRUNION | 337029 |
| 246 | WHEEL, ASSY FRICTION | 53830 |
| 247 | SCREW, 1/4-20X .63 | 11871 |
| 249 | NUT, 1/4-20 HEXKEPS | 303008 |
| 250 | WASHER, .502X .75X.0605 | 579858 |
| 255 | BEARING & RETAINER | 334163 |
| 256 | SCREW, 5/16-18X .50 | 780055 |
| 270 | BEARING & RETAINER | 334163 |
| 271 | SCREW, 5/16-18X .50 | 780055 |
| 275 | JACK, ASSY#41-36/7 | 761789 |
| 276 | BEARING & RETAINER | 334163 |
| 277 | SCREW | 780055 |
| 278 | CHAIN ROLLER | 579867 |

MODEL 631114x61A

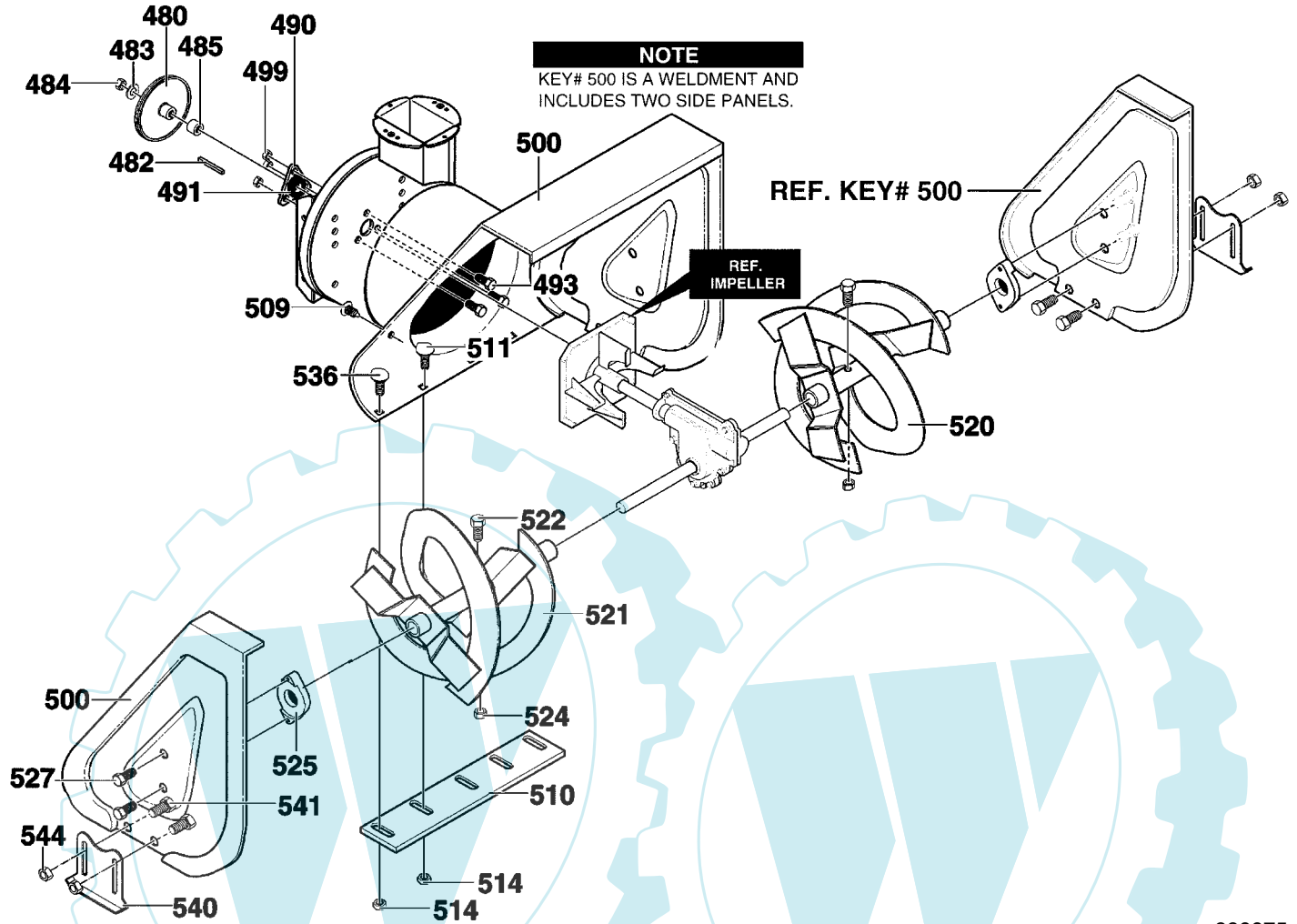
REPAIR PARTS
GEAR CASE



| Key No. | Description | Part No. |
|---------|----------------------------|------------|
| 300 | CASE, GEAR, RH | 896 |
| 301 | CASE, GEAR, LH | 895 |
| 303 | SCREW, 5/16-24X1,00 | 910828 |
| 304 | NUT, 5/16-24 | 71100 |
| 306 | PIPE PLUG | 53749 |
| 310 | SEAL, OIL | 780151 |
| 311 | BEARING, SLEEVE | 53743 |
| 312 | WASHER, FLAT 1.00X1.54X.09 | 53748 |
| 313 | SHAFT, AUGER OUTPUT | 760409 |
| 314 | GASKET, GEAR BOX | 897 |
| 315 | WORM GEAR | 53730 |
| 316 | KEY, WOODRUFF #91 | 73905 |
| 320 | RING, QUAD | 53737 |
| 321 | BEARING, FL | 583126 |
| 322 | WASHER, FLAT | 48275 |
| 323 | BEARING, ROLL | 50684 |
| 324 | WASHER, FLAT | 48275 |
| 326 | KEY | 50795 |
| 327 | WORM GEAR | 53732 |
| 330 | BEARING, SLEEVE | 53731 |
| 340 | IMPELLER | 761609-853 |
| 350 | BRACE, GEAR BOX | 5524 |
| 351 | SCREW 5/16-24X1.75 | 1441 |
| 352 | NUT, 5/16-24 HEXWDFLLK | 71100 |
| 355 | SCREW, 5/16-18X1.25 | 302636 |
| 356 | WASHER, FLAT .349X.69X.066 | 71071 |
| 357 | WASHER, SPTLK .31X.58X.08 | 71060 |
| 358 | NUT, 5/16-18 REGHEX | 71037 |
| — | 10oz TUBE LUBRIPLATE | 333431 |

MODEL 631114x61A

REPAIR PARTS
AUGER HOUSING ASSEMBLY

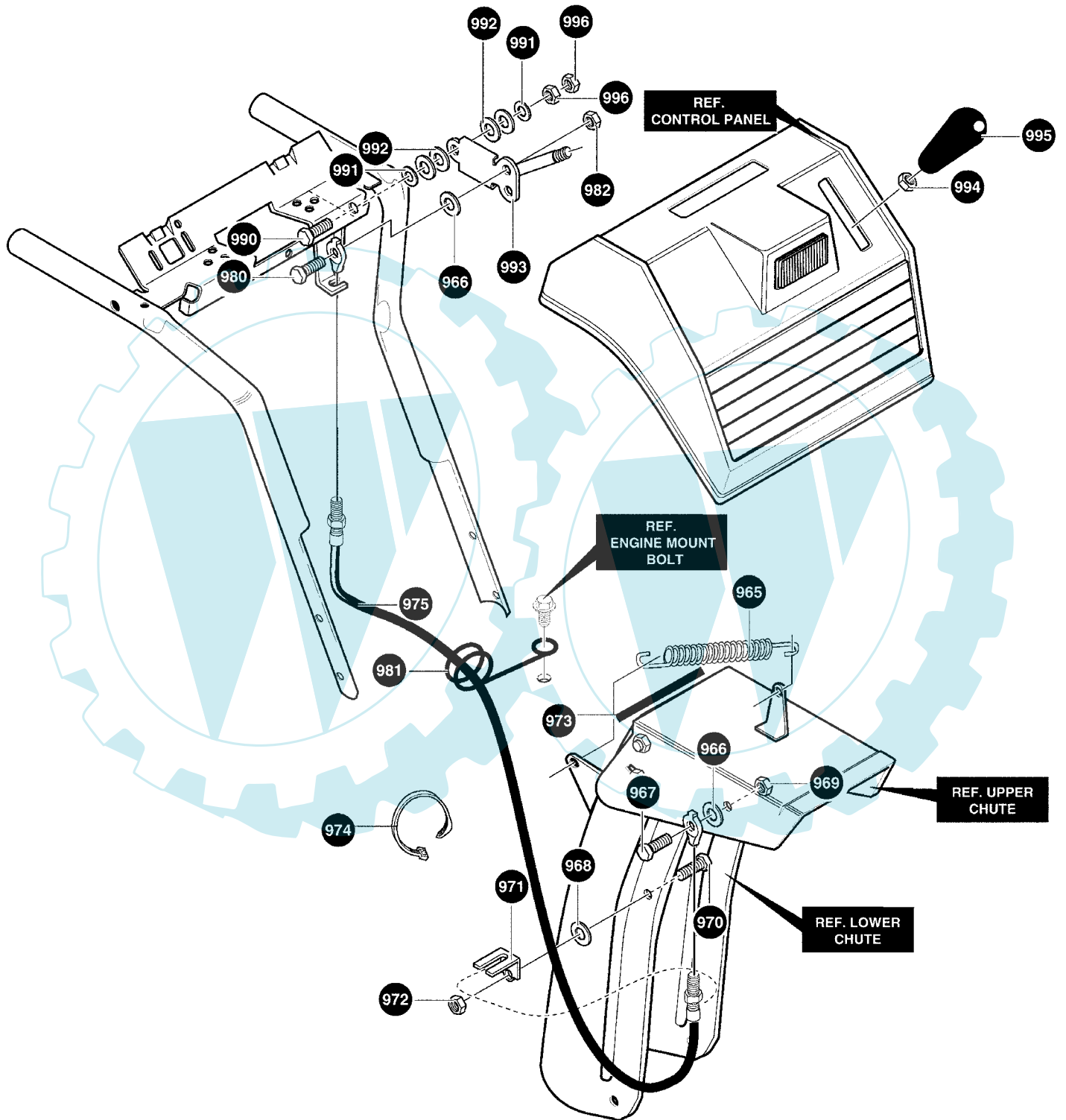


339975

| Key No. | Description | Part No. | Key No. | Description | Part No. |
|---------|------------------------|------------|---------|-----------------------------|------------|
| 480 | PULLEY, 4L 8.40 | 583146 | 514 | NUT, 5/16-18 | 710026 |
| 482 | KEY, SQUARE | 71371 | 520 | AUGER, ASSY, LH | 760321-853 |
| 483 | WASHER, FLAT | 71074 | 521 | AUGER, ASSY, RH | 760311-853 |
| 484 | NUT, 1/2-20 REGHXCTRLK | 712121 | 522 | BOLT, .467X.235 HSH 5/16-18 | 578647 |
| 485 | SPACER, SLEEVE | 334514 | 524 | NUT, 5/16-18 REGHEXCTRLK | 71391 |
| 490 | RETAINER, BALL BRNG | 582960 | 525 | AUGER SHAFT BEARING | 53757 |
| 491 | BEARING, BALL | 43846 | 527 | SCREW, 5/16-18X.75 | 70984 |
| 493 | SCREW, 5/16-18X .75 | 313676 | 536 | BOLT, 5/16-18X.75 | 340720 |
| 499 | NUT, 5/16-18 HEXWDFLLK | 710026 | 540 | SKID, HEIGHT ADJUST | 762376-853 |
| 500 | HOUSING, ASSY | 761881-892 | 541 | CARR. BOLT, 5/16-18X.75 | 340720 |
| 509 | PLUG | 760040 | 544 | NUT, 5/16-18 REGHEX | 71037 |
| 510 | BLADE, SCRAPER | 760665-853 | | | |
| 511 | BOLT, 5/16-18 X .75 | 340720 | | | |

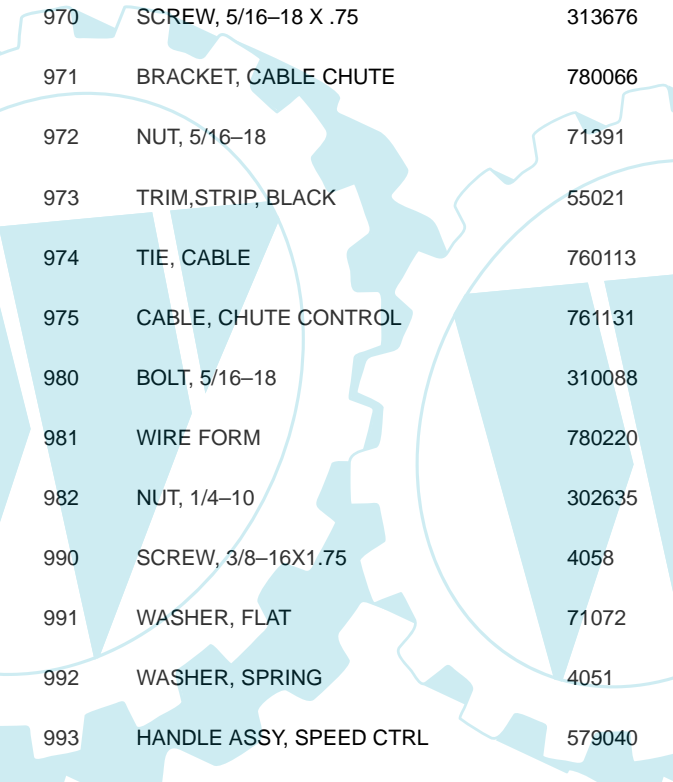
MODEL 631114x61A

REPAIR PARTS
CHUTE DEFLECTOR



MODEL 631114x61A

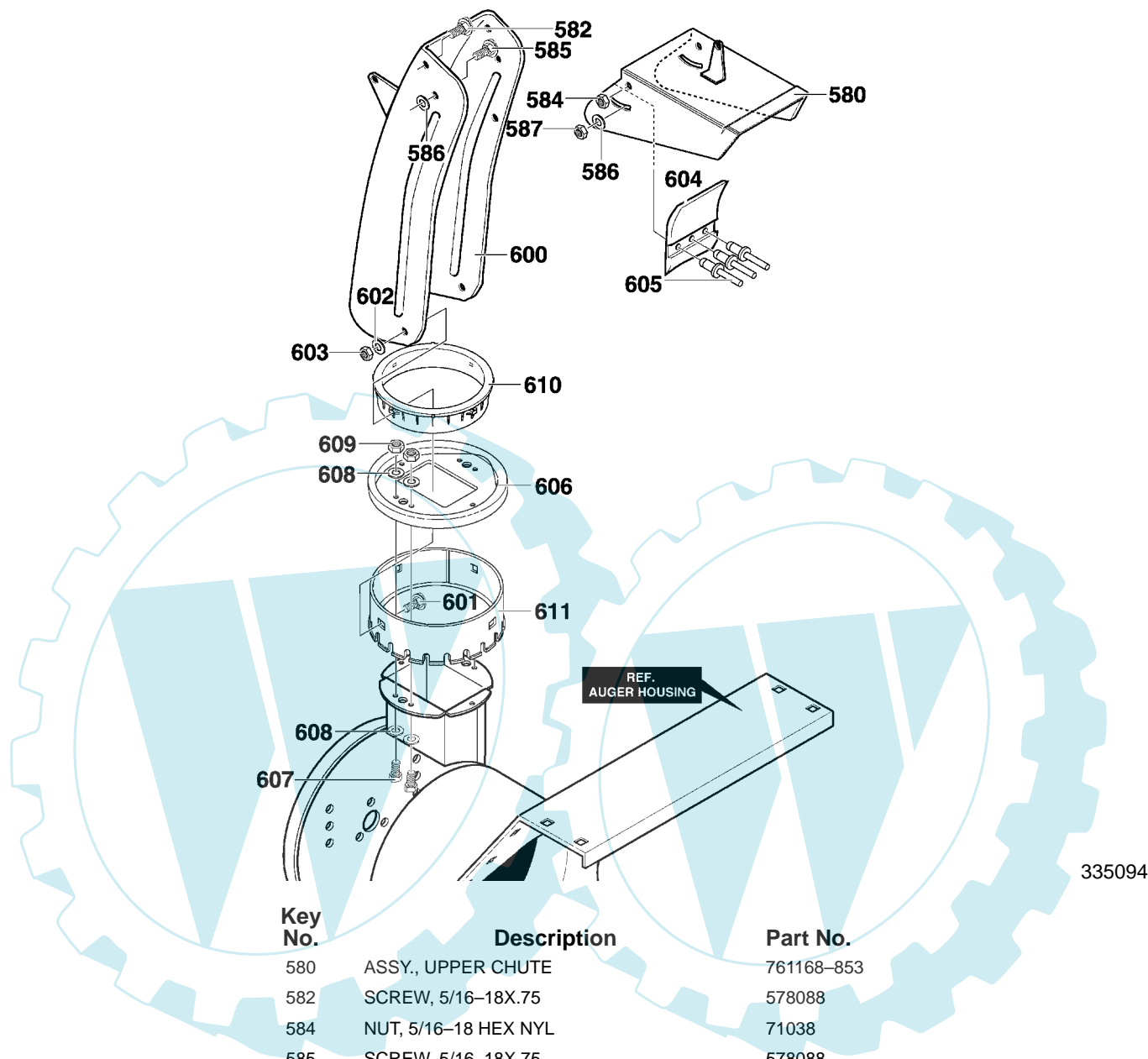
REPAIR PARTS CHUTE DEFLECTOR



| Key No. | Description | Part No. |
|---------|----------------------------|----------|
| 965 | SPRING, TENSION RETURN | 318468 |
| 966 | WASHER, FLAT | 711666 |
| 967 | BOLT, 5/16-18 | 310088 |
| 968 | WASHER, FLAT | 73787 |
| 969 | NUT, 1/4-20 | 302635 |
| 970 | SCREW, 5/16-18 X .75 | 313676 |
| 971 | BRACKET, CABLE CHUTE | 780066 |
| 972 | NUT, 5/16-18 | 71391 |
| 973 | TRIM, STRIP, BLACK | 55021 |
| 974 | TIE, CABLE | 760113 |
| 975 | CABLE, CHUTE CONTROL | 761131 |
| 980 | BOLT, 5/16-18 | 310088 |
| 981 | WIRE FORM | 780220 |
| 982 | NUT, 1/4-10 | 302635 |
| 990 | SCREW, 3/8-16X1.75 | 4058 |
| 991 | WASHER, FLAT | 71072 |
| 992 | WASHER, SPRING | 4051 |
| 993 | HANDLE ASSY, SPEED CTRL | 579040 |
| 994 | NUT, 3/8-16 REGHEX | 71044 |
| 995 | HANDLE, 3/8-16 MOLDED TALL | 306689 |
| 996 | NUT, 3/8-16 HEXNYL | 71046 |

MODEL 631114x61A

REPAIR PARTS
DISCHARGE CHUTE ASSEMBLY

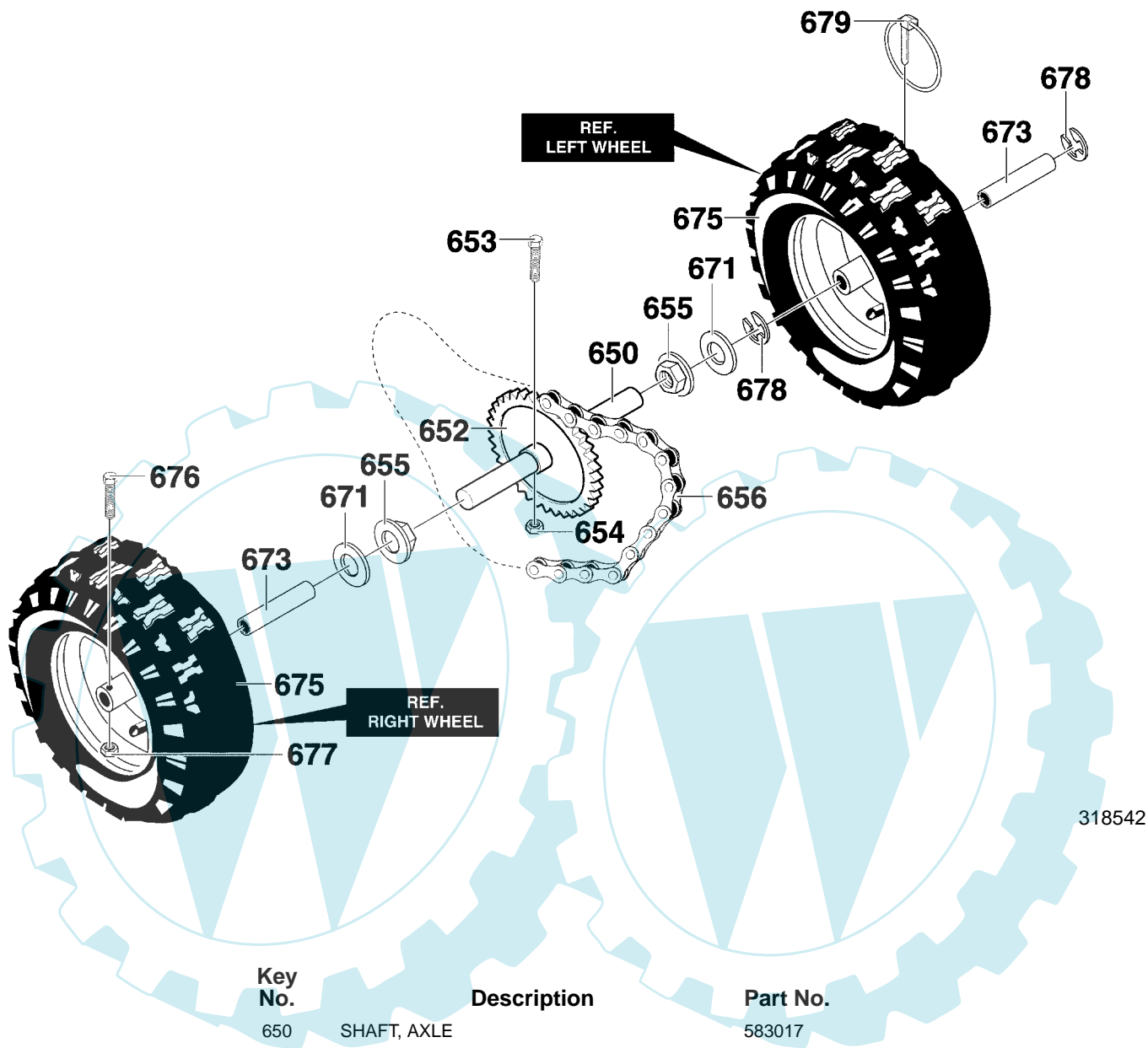


335094

| Key No. | Description | Part No. |
|---------|---------------------------|------------|
| 580 | ASSY., UPPER CHUTE | 761168-853 |
| 582 | SCREW, 5/16-18X.75 | 578088 |
| 584 | NUT, 5/16-18 HEX NYL | 71038 |
| 585 | SCREW, 5/16-18X.75 | 578088 |
| 586 | WASHER | 6711 |
| 587 | NUT, 5/16-18 HEX NYL | 71038 |
| 600 | LOWER CHUTE ASSEMBLY | 761169-853 |
| 601 | BOLT, 5/16-18X1.00 | 586280 |
| 602 | FLATWASHER .349X.69X.066 | 71071 |
| 603 | NUT, 5/16-18 | 71038 |
| 604 | RIVET | 762322 |
| 605 | FLAP | 760987 |
| 606 | COLLAR, CHUTE | 585214-821 |
| 607 | SCREW, 1/4-20X .75 | 302628 |
| 608 | FLATWASHER .281X .63X.065 | 71067 |
| 609 | NUT, 1/4-20 HEX NYLOCK | 780029 |
| 610 | RETAINER, RING INNER | 337227 |
| 611 | RETAINER, RING OUTER | 585193 |

MODEL 631114x61A

REPAIR PARTS
WHEELS ASSEMBLY



| Key No. | Description | Part No. |
|---------|--------------------------|----------|
| 650 | SHAFT, AXLE | 583017 |
| 652 | SPRKT & HUB | 583007 |
| 653 | SCREW, 1/4-20X2.25 | 73839 |
| 654 | NUT, 1/4-20 HEX NYLOCK | 780029 |
| 655 | BRNG, FL | 581730 |
| 656 | CHAIN, ROLLER | 583013 |
| 671 | FLATWASHER .765X1.12X.06 | 712120 |
| 673 | BUSHING, WHEEL | 585591 |
| 675 | TIRE & RIM | 584535 |
| 676 | SCREW, 1/4-20X1.75 HH | 577015 |
| 677 | NUT, 1/4-20 HEX NYLOCK | 780029 |
| 678 | RING, RET | 239 |
| 679 | PIN, KLIK .25 X 1.38 DIA | 73842 |

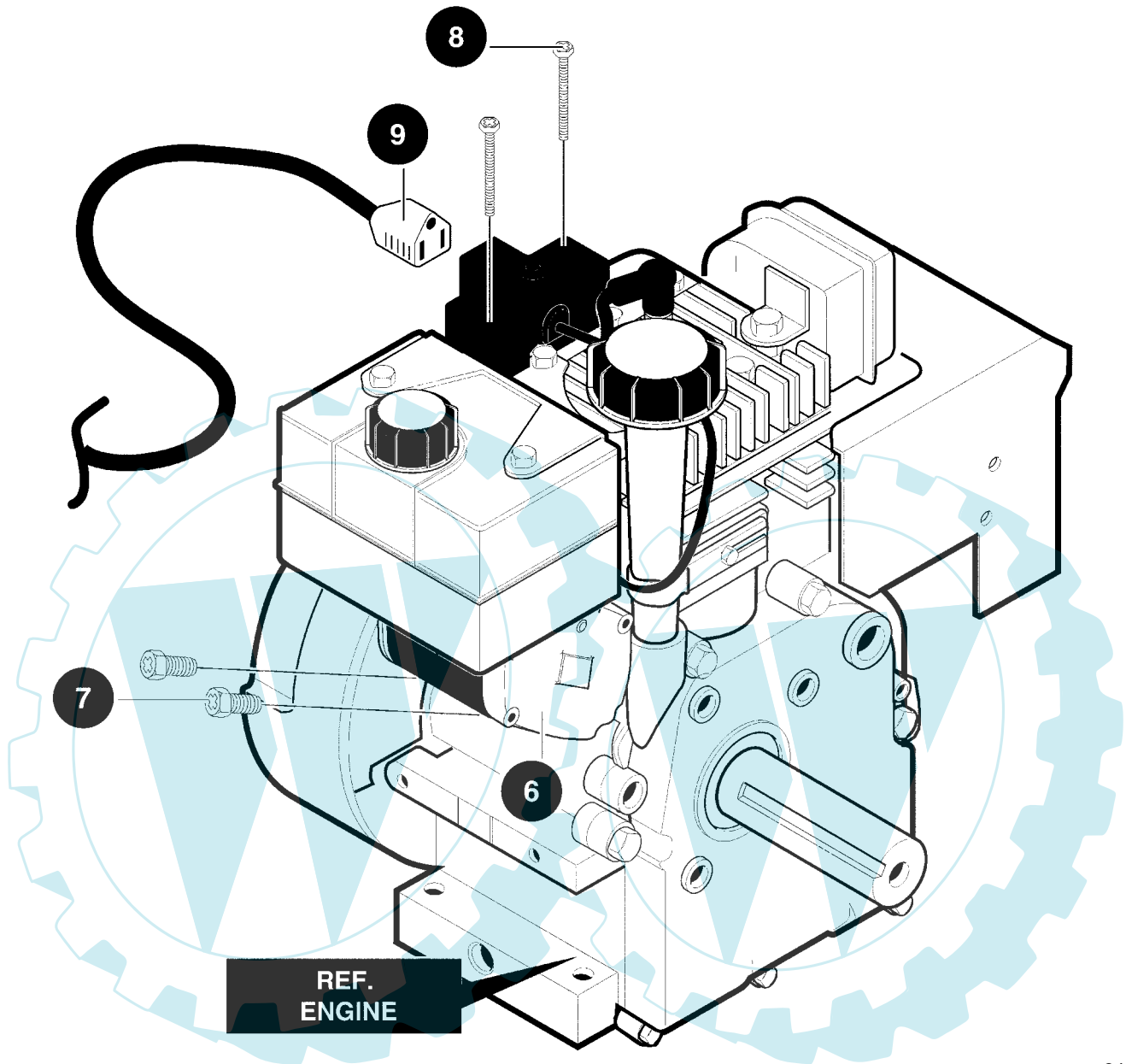
MODEL 631114x61A

**REPAIR PARTS
HANDLE**

| Key No. | Description | Part No. |
|---------|------------------------|------------|
| 720 | HANDLE, ASSY | 760192-853 |
| 720 | SUPPORT, ASSY HANDLE | 760192-853 |
| 723 | SCREW, 3/8-16X2.00 | 71007 |
| 724 | SCREW, 3/8-16X3.00 | 7288 |
| 725 | WASHER, FLAT | 71072 |
| 726 | WASHER, MDSPTLK | 71062 |
| 727 | NUT, 3/8-16 REGHEX | 71044 |
| 728 | STOP, PLASTIC | 7289 |
| 729 | GRIP, HANDLE | 50792 |
| 739 | BUMPER, RECT | 4049 |
| 740 | CABLE, CLUTCH 32.19" | 1580 |
| 741 | CABLE, AUG CLUTCH | 761591 |
| 743 | TENSION SPRING | 579869 |
| 744 | SPRING, AUGER CLUTCH | 1673 |
| 745 | NUT, 1/4-20 HEX NYLOCK | 780029 |
| 750 | HANDLE, LOWER | 5543-853 |
| 751 | SCREW, 5/16-18 X .75 | 70984 |
| 752 | WASHER, SPTLK | 71060 |
| 753 | NUT, 5/16-18 | 71391 |
| 754 | SCREW, 5/16-18 X .75 | 70984 |
| 770 | BRKT, SHIFT ACTUATOR | 581964 |
| 771 | SCREW, 3/8-16X3.00 | 7288 |
| 772 | SPRING | 50786 |
| 773 | WASHER, FLAT | 71072 |
| 774 | NUT, 3/8-16 HEXNYL | 71046 |
| 775 | SPACER, SHIFT ACTUATOR | 579183 |
| 785 | NUT, 1/4-20 REGHEX | 71034 |
| 787 | KNOB, SHIFT 1/420 | 585522 |
| 790 | ROD, ASSY LH | 578926 |
| 791 | ROD, ASSY RH | 578924 |
| 795 | BRACKET, CAM RETAINER | 579002 |
| 796 | SCREW, 5/16-18X.75 | 313676 |
| 797 | WASHER, SPTLK | 71060 |
| 798 | NUT, 5/16-18 REGHEX | 71037 |
| 799 | CAM LOCK | 8417 |
| 800 | PIN, SPRING PIVOT | 584673 |
| 801 | NUT, PUSH ON | 73664 |
| 802 | PIN, COTTER | 71081 |
| 803 | FLATWASHER | 71071 |
| 804 | ROD, SPEED CONTROL | 581079 |
| 805 | NUT, 5/16-24 REGHEX | 71042 |
| 806 | ADAPTOR, ROD SPEED | 6352 |
| 807 | WASHER, SPTLK | 71060 |
| 808 | JOINT, STEEL BALL | 50782 |
| 809 | WASHER, SPTLK | 71060 |
| 810 | NUT, 5/16-24 RGHEX | 71042 |
| 811 | BEARING, FL | 579944 |
| 812 | ROD, ASSY YOKE "PANEL" | 337436 |
| 813 | NUT, 3/8-16 HEXCTRLK | 71111 |

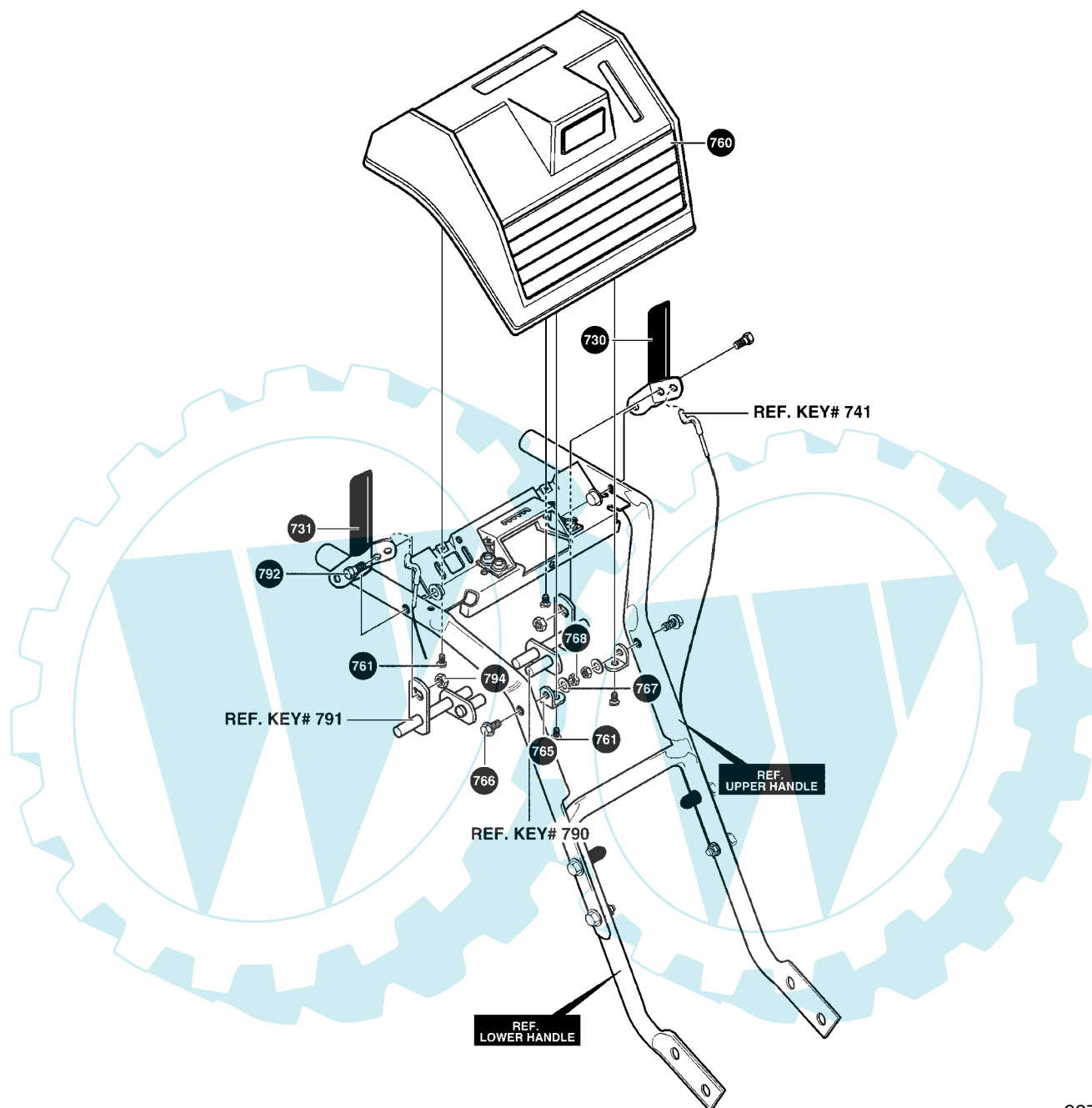
MODEL 631114x61A

REPAIR PARTS
ELECTRIC START ASSEMBLY



319051

| Key No. | Description | Part No. |
|---------|----------------|----------|
| 6 | MOTOR, STARTER | 762323 |
| 7 | SCREW | 6216 |
| 8 | SCREW | 6217 |
| 9 | CORD, STARTER | 6219 |

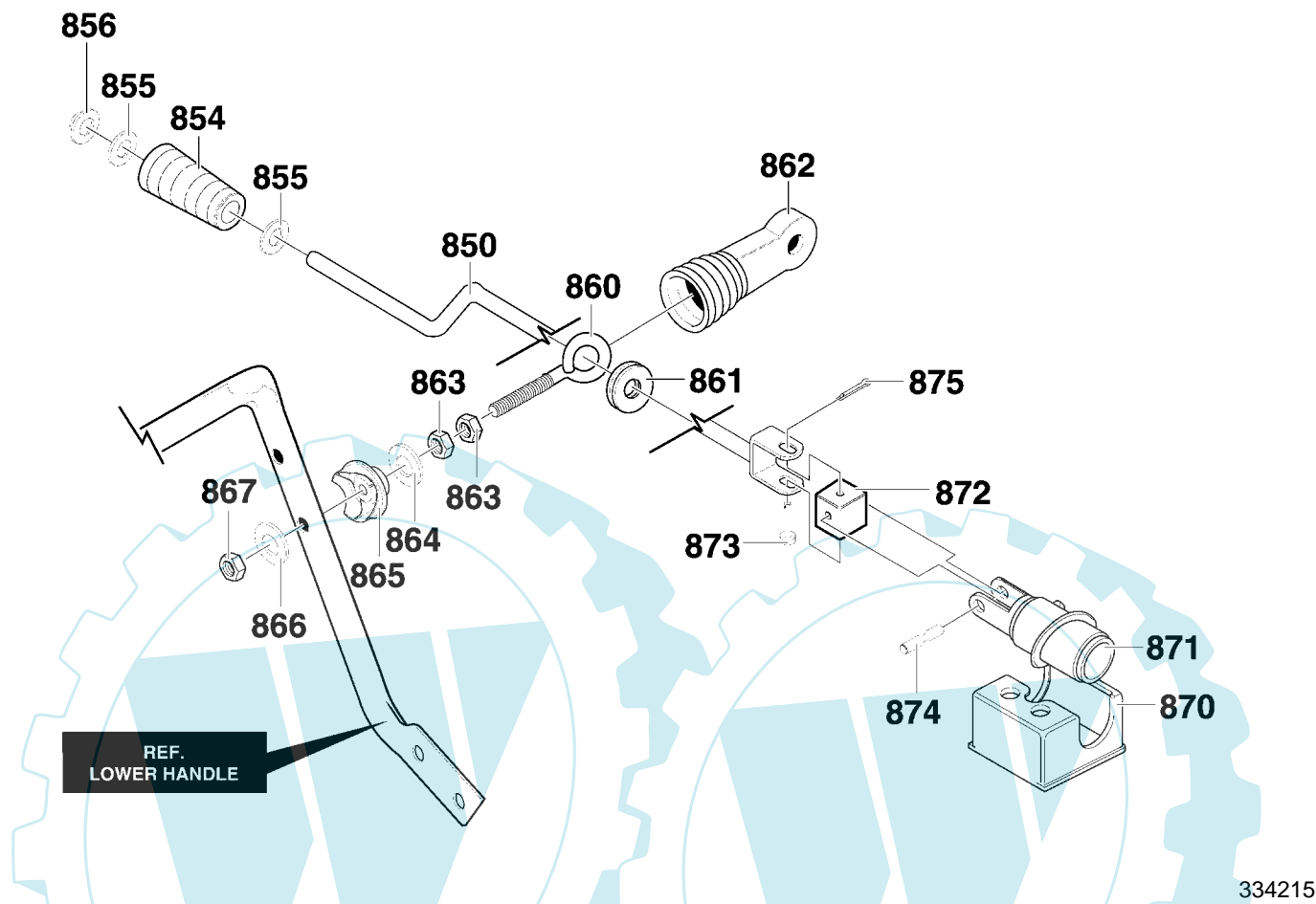


337139 J

| Key No. | Description | Part No. |
|---------|-----------------------|------------|
| 730 | CLUTCH HANDLE LH | 578992 |
| 731 | CLUTCH HANDLE RH | 578993 |
| 760 | PANEL | 585523 |
| 761 | SCREW, 10 X .62 | 316042 |
| 765 | BRACKET, PANEL | 578866-853 |
| 766 | SCREW, 5/16-18 X 1.75 | 302900 |
| 767 | WASHER, HVSP TLK | 71060 |
| 768 | NUT, 5/16-18 | 71037 |
| 792 | BOLT, 1/4-20 X .50 | 905531 |
| 794 | NUT, 1/4-20 | 908913 |

MODEL 631114x61A

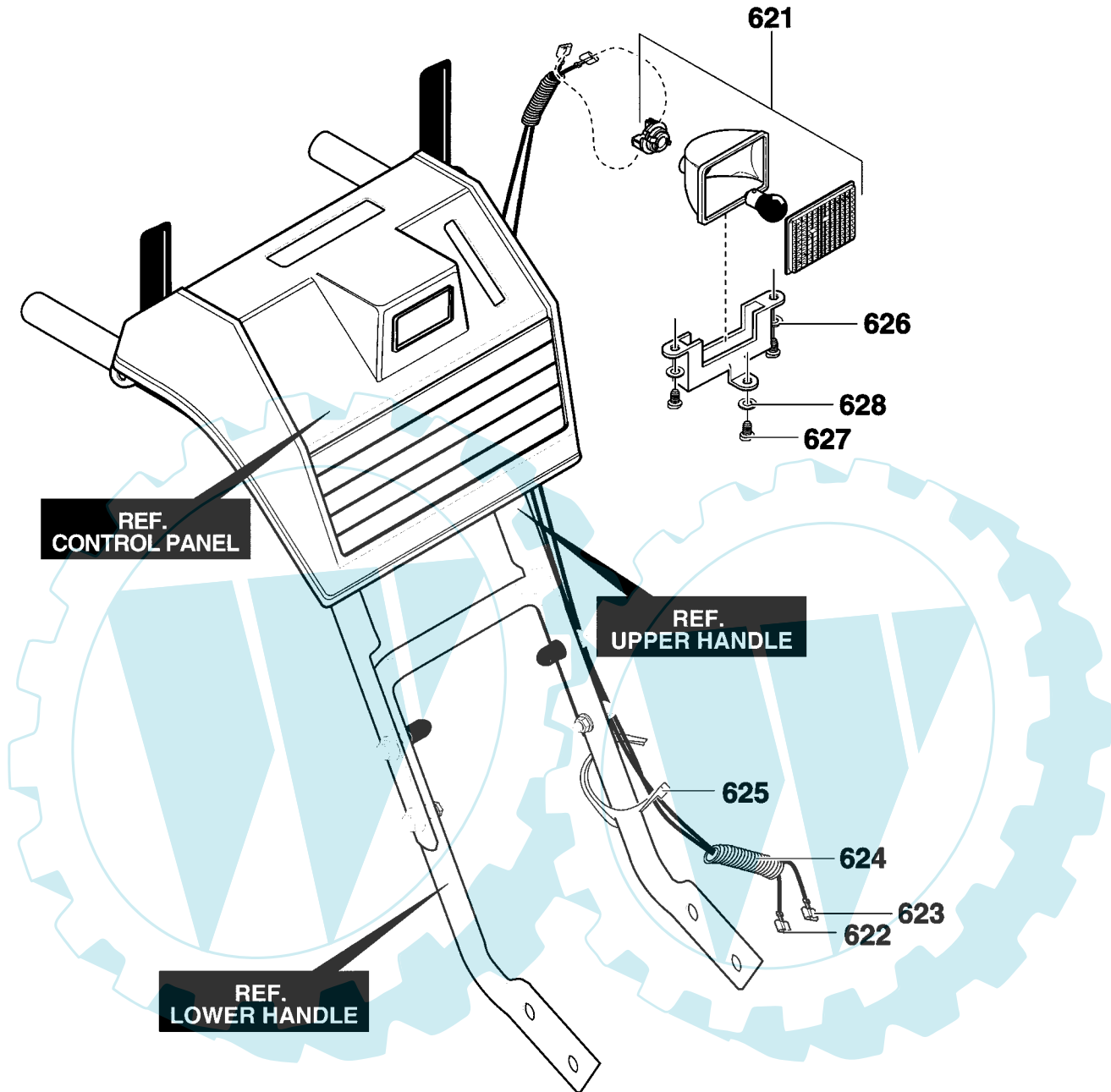
REPAIR PARTS
CHUTE ROD



| Key No. | Description | Part No. |
|---------|---------------------------|----------|
| 850 | CRANK, ASSY CHUTE | 585426 |
| 854 | HANDLE, CHUTE CRANK | 307399 |
| 855 | FLATWASHER .39X.70X.05 | 309312 |
| 856 | E RING | 578159 |
| 860 | EYE BOLT 3/8-16X6.00 | 581618 |
| 861 | GROMMET, EYE BOLT | 148 |
| 862 | BOOT | 308145 |
| 863 | NUT, 3/8-16 HEXJAM | 71045 |
| 864 | FLATWASHER .406X.81X.066 | 71072 |
| 865 | ADAPTER, BOOT TO HANDLE | 309344 |
| 866 | FLATWASHER .406X.81X.066 | 71072 |
| 867 | NUT, 3/8-16 HEXNYL | 71046 |
| 870 | BRACKET, WORM MTG | 585195 |
| 871 | WORM, GEAR CHUTE ROTATION | 585196 |
| 872 | BLOCK, UNIVERSAL PIVOT | 578063 |
| 873 | CLEVIS PIN | 578309 |
| 874 | PIN, UNIVERSAL JOINT | 578060 |
| 875 | COTTER PIN | 579493 |

MODEL 631114x61A

REPAIR PARTS
HEADLIGHT

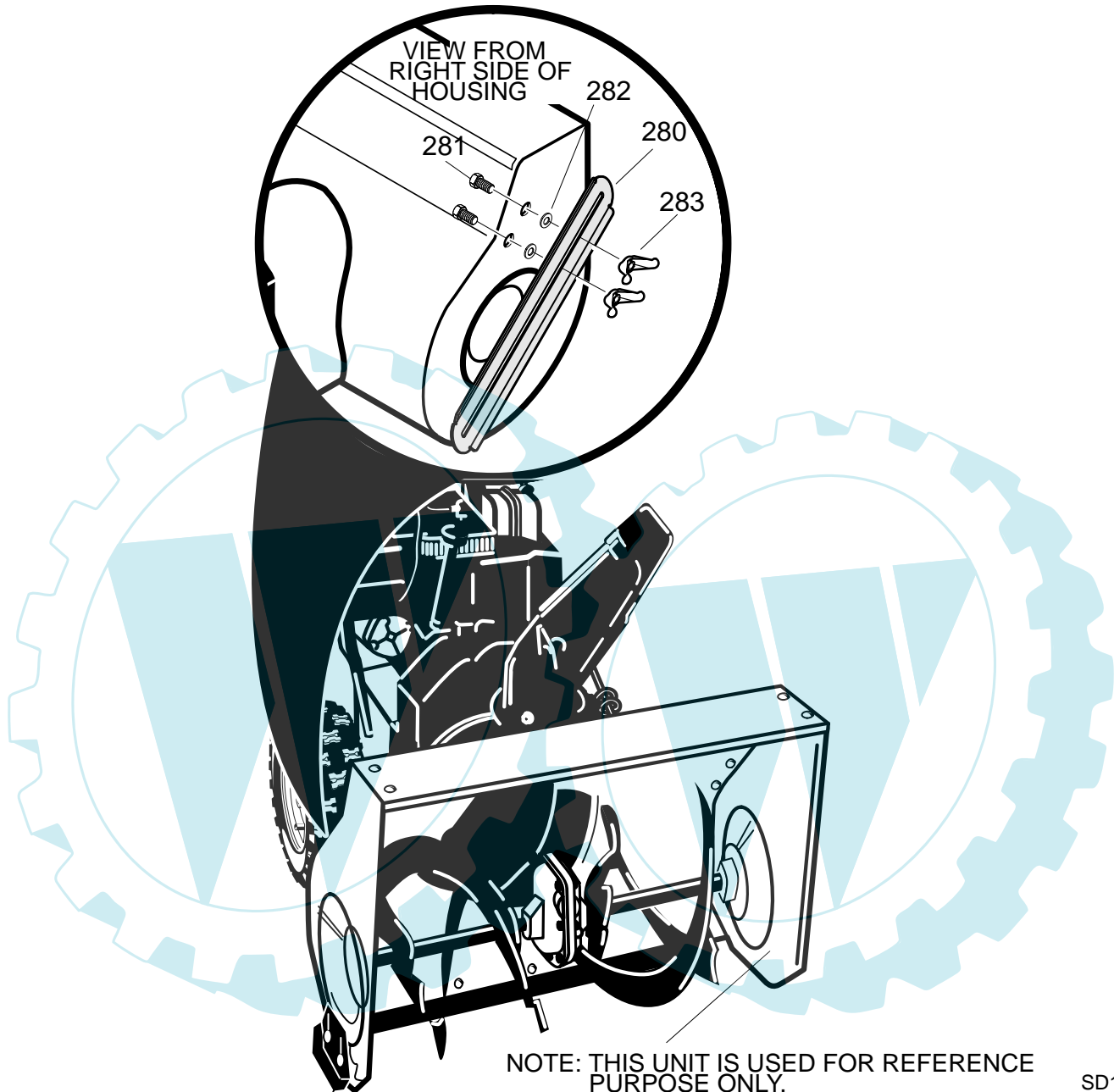


337081

| Key No. | Description | Part No. |
|---------|------------------------|----------|
| 621 | HEADLIGHT ASSY | 581575 |
| 622 | ASSY, WIRE | 305743 |
| 623 | WIRE, HEADLIGHT GROUND | 305740 |
| 624 | CONDUIT | 6636 |
| 625 | TIE, CABLE | 57444 |
| 626 | BRACKET | 578921 |
| 627 | SCREW #8 X .50 | 901696 |
| 628 | WASHER, FLAT | 901736 |

MODEL 631114x61A

REPAIR PARTS
DRIFT CUTTER ASSEMBLY



SD1027

| Key No. | Description | Part No. |
|---------|--------------------|------------|
| 280 | BAR, DRIFT CUTTER | 762348-853 |
| 281 | BOLT, 5/16-18X0.75 | 340720 |
| 282 | WASHER | 12021 |
| 283 | WINGNUT | 711604 |