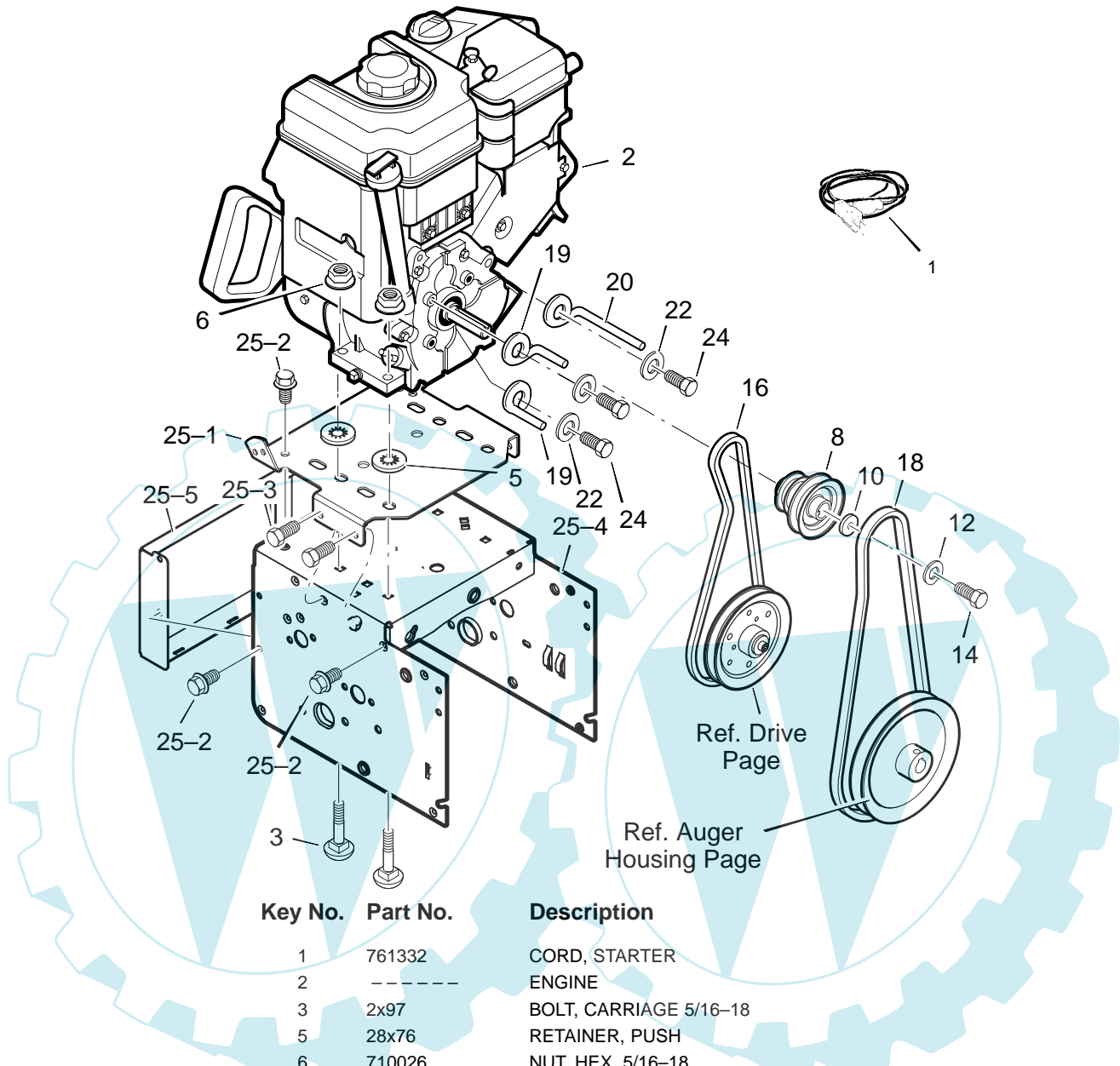


MODEL 629909x54A

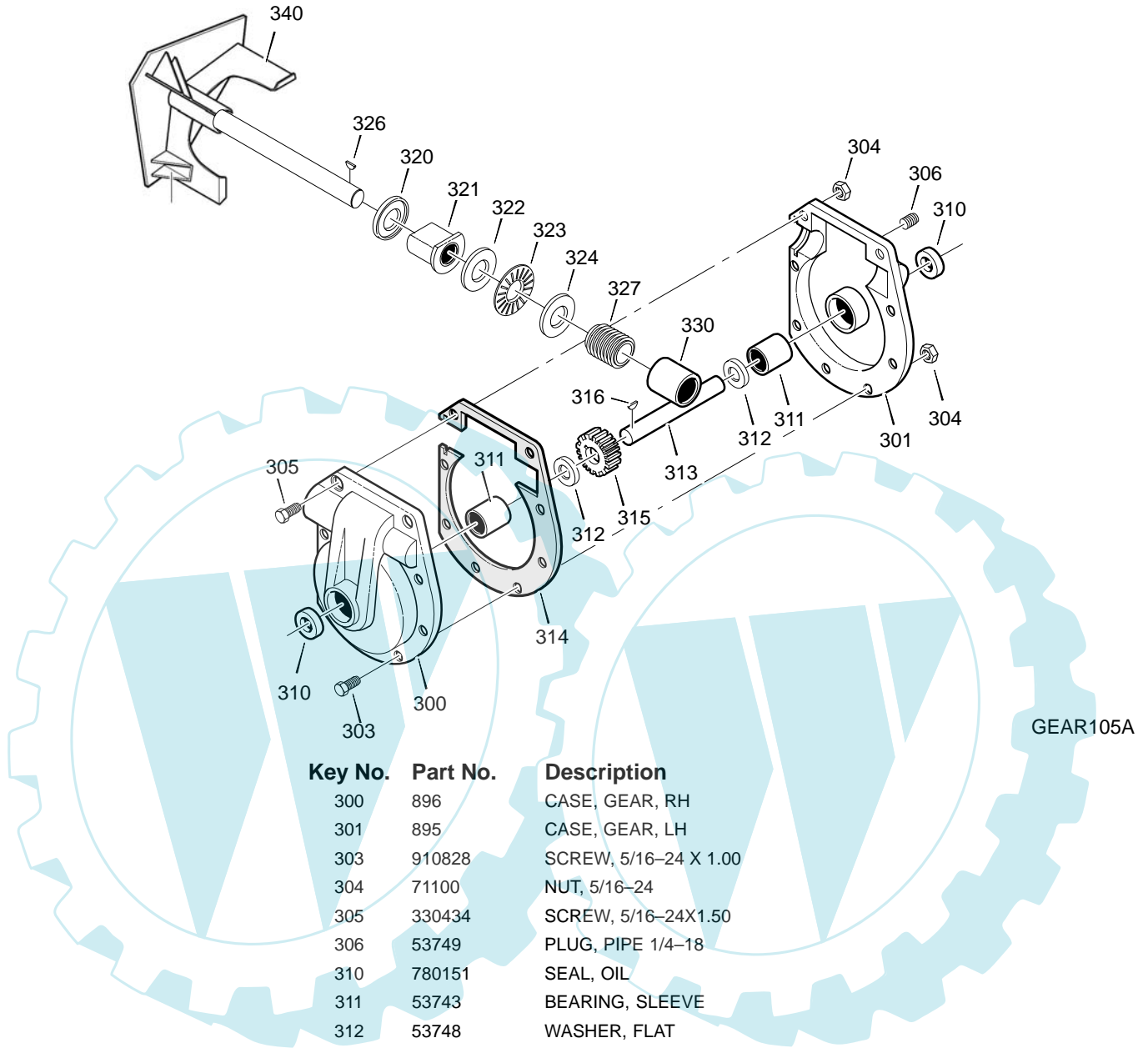
REPAIR PARTS
ENGINE



| Key No. | Part No. | Description |
|---------|-------------|---------------------------|
| 1 | 761332 | CORD, STARTER |
| 2 | ----- | ENGINE |
| 3 | 2x97 | BOLT, CARRIAGE 5/16-18 |
| 5 | 28x76 | RETAINER, PUSH |
| 6 | 710026 | NUT, HEX 5/16-18 |
| 8 | 1501109 | PULLEY, ENGINE |
| 10 | 710247 | WASHER |
| 12 | 71063 | WASHER .38ID |
| 14 | 71015 | SCREW, 3/8-24X1.00 |
| 16 | 37x127 | BELT, HYDRO DRIVE |
| 18 | 585416 | BELT, V 4L 38.1MF16" 5-10 |
| 19 | 1501368 | GUIDE, BELT |
| 20 | 1501201 | GUIDE, BELT |
| 22 | 71060 | WASHER, SPTLK .31X.58X.08 |
| 24 | 710097 | SCREW, 5/16-24X 0.75 |
| 25 | ----- | FRAME ASSEMBLY |
| 25-1 | 1501062E245 | PLATE, ENGINE MOUNT |
| 25-2 | 310169 | SCREW, TAP 1/4-20 X .63 |
| 25-3 | 780055 | SCREW, TAP 5/16-18 X .50 |
| 25-4 | 1501295E245 | FRAME, MOTOR BOX |
| 25-5 | 1501333E245 | PANEL, BACK - HYDRO |
| — | F-021039L | OWNER'S MANUAL |

MODEL 629909x54A

REPAIR PARTS
GEAR CASE

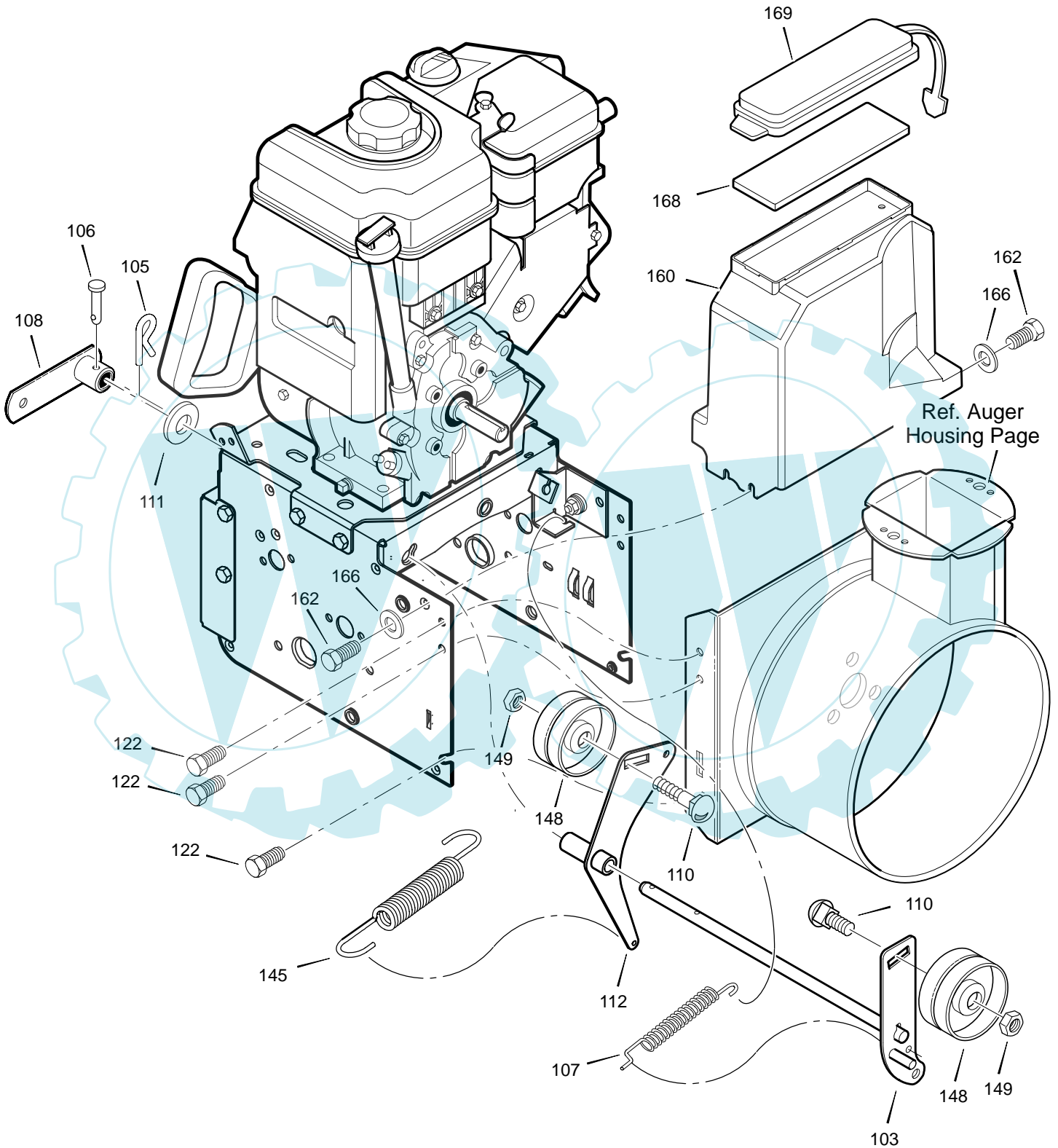


| Key No. | Part No. | Description |
|---------|-------------|-----------------------|
| 300 | 896 | CASE, GEAR, RH |
| 301 | 895 | CASE, GEAR, LH |
| 303 | 910828 | SCREW, 5/16-24 X 1.00 |
| 304 | 71100 | NUT, 5/16-24 |
| 305 | 330434 | SCREW, 5/16-24X1.50 |
| 306 | 53749 | PLUG, PIPE 1/4-18 |
| 310 | 780151 | SEAL, OIL |
| 311 | 53743 | BEARING, SLEEVE |
| 312 | 53748 | WASHER, FLAT |
| 313 | 760528 | SHAFT, AUGER OUTPUT |
| 314 | 897 | GASKET, GEAR BOX |
| 315 | 53730 | WORM GEAR |
| 316 | 73905 | KEY, WOODRUFF #61 |
| 320 | 53737 | RING, QUAD |
| 321 | 583126 | BEARING, FLANGE |
| 322 | 48275 | WASHER, FLAT |
| 323 | 50684 | BEARING, ROLL |
| 324 | 48275 | WASHER, FLAT |
| 326 | 50795 | KEY |
| 327 | 53732 | GEAR, WORM |
| 330 | 53731 | BEARING, SLEEVE |
| 340 | 1501147E717 | IMPELLER |
| — | 333431 | 10oz TUBE LUBRIPLATE |

*(NOT ILLUSTRATED)

MODEL 629909x54A

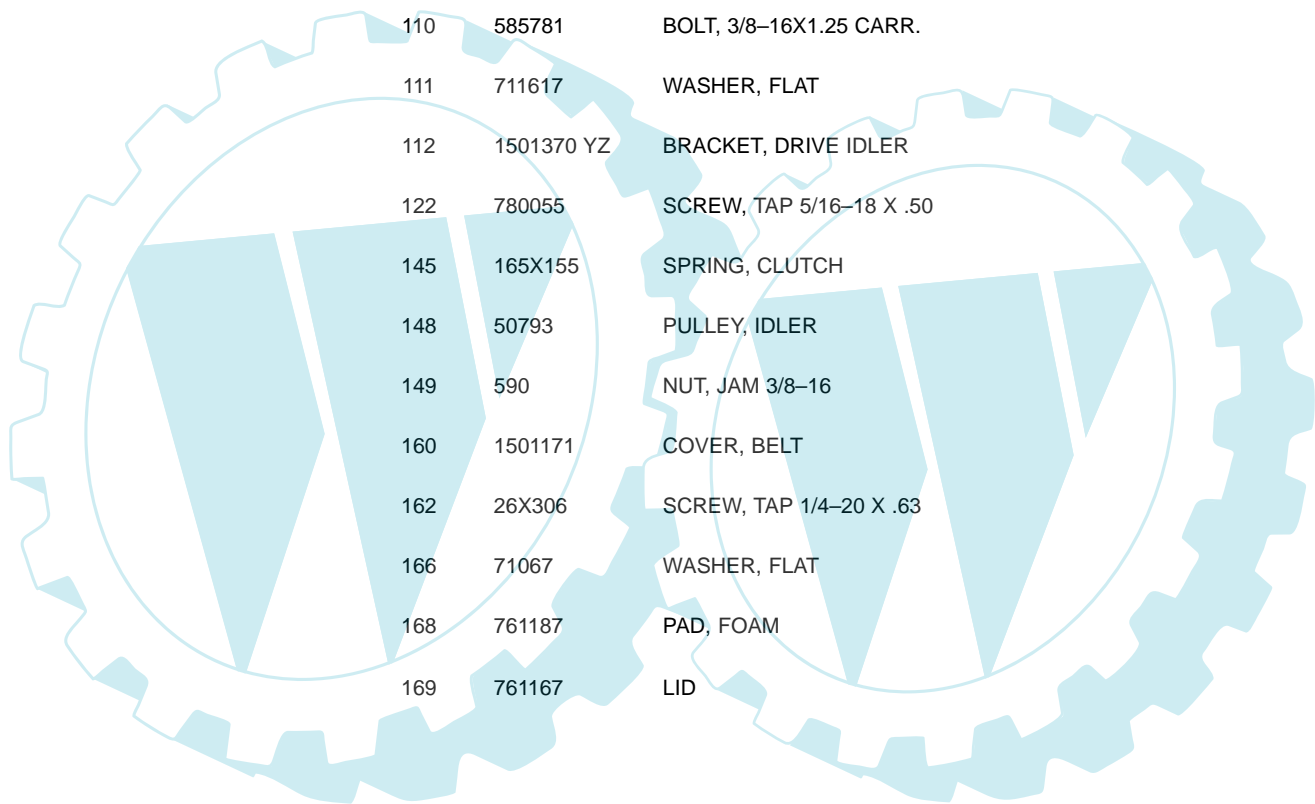
REPAIR PARTS
FRAME



MODEL 629909x54A

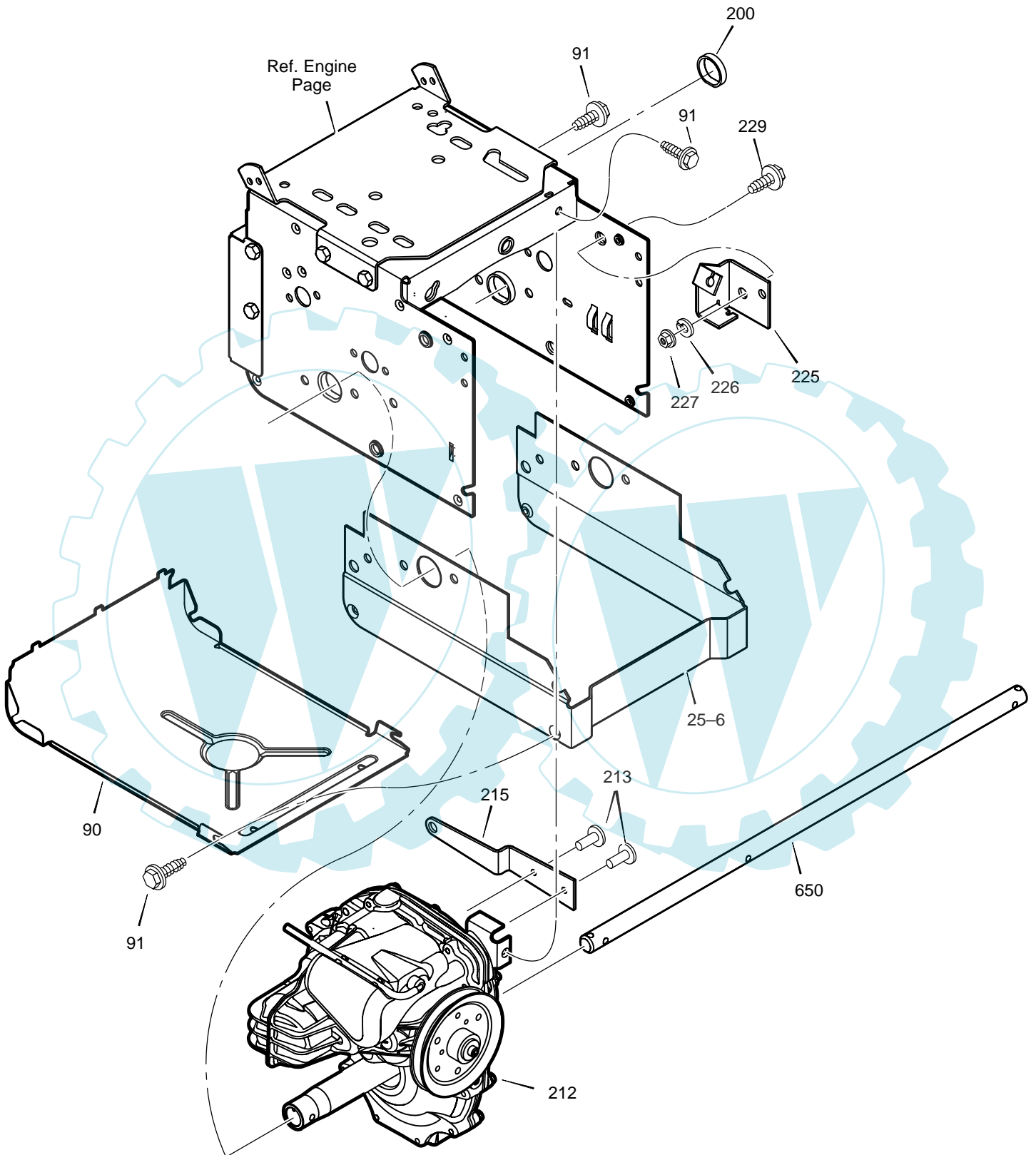
REPAIR PARTS FRAME

| Key No. | Part No. | Description |
|---------|------------|--------------------------|
| 103 | 1501369 YZ | IDLER ASSEMBLY, AUGER |
| 105 | 711682 | PIN, HAIR |
| 106 | 761761 | PIN, KLIK 3/16" DIA |
| 107 | 165X159 | SPRING, TENSION |
| 108 | 761675 YZ | ASSY., SPRING ATTACH |
| 110 | 585781 | BOLT, 3/8-16X1.25 CARR. |
| 111 | 711617 | WASHER, FLAT |
| 112 | 1501370 YZ | BRACKET, DRIVE IDLER |
| 122 | 780055 | SCREW, TAP 5/16-18 X .50 |
| 145 | 165X155 | SPRING, CLUTCH |
| 148 | 50793 | PULLEY, IDLER |
| 149 | 590 | NUT, JAM 3/8-16 |
| 160 | 1501171 | COVER, BELT |
| 162 | 26X306 | SCREW, TAP 1/4-20 X .63 |
| 166 | 71067 | WASHER, FLAT |
| 168 | 761187 | PAD, FOAM |
| 169 | 761167 | LID |



MODEL 629909x54A

**REPAIR PARTS
DRIVE**



MODEL 629909x54A

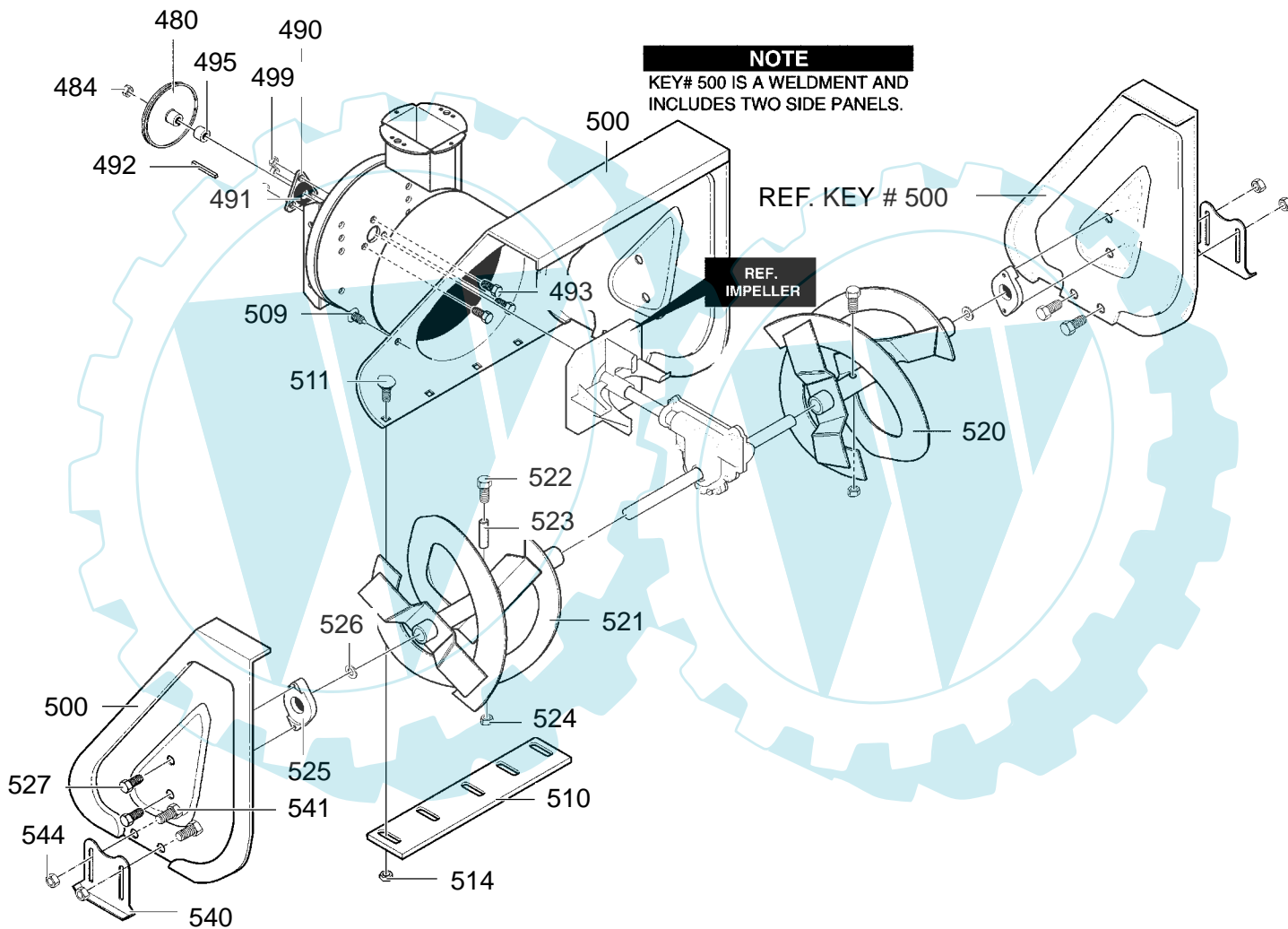
REPAIR PARTS DRIVE

| Key No. | Part No. | Description |
|---------|-------------|--------------------------|
| 90 | 1501311E717 | COVER, BOTTOM |
| 91 | 310169 | SCREW, 1/4-20 X 0.62 |
| 25-6 | 1501334E245 | FRAME, EXTENSION - HYDRO |
| 200 | 1501496 | PLUG, HEYCO |
| 212 | --- * --- | TRANSMISSION, HYDRO-GEAR |
| 213 | 021X11 | RIVET, BLIND |
| 215 | 1501366 | ARM, CONTROL EXTENSION |
| 225 | 1501361 | BRACKET, DRIVE CABLE |
| 226 | 71063 | WASHER, LOCK |
| 227 | 71045 | NUT, HEX JAM - 3/8-16 |
| 229 | 025X19 | SCREW |
| 650 | 1501365 | AXLE, WHEEL |

*For service on the HYDRO-GEAR Transmission, model number 1501353:
CONTACT: Your local HYDRO-GEAR Authorized service dealer.

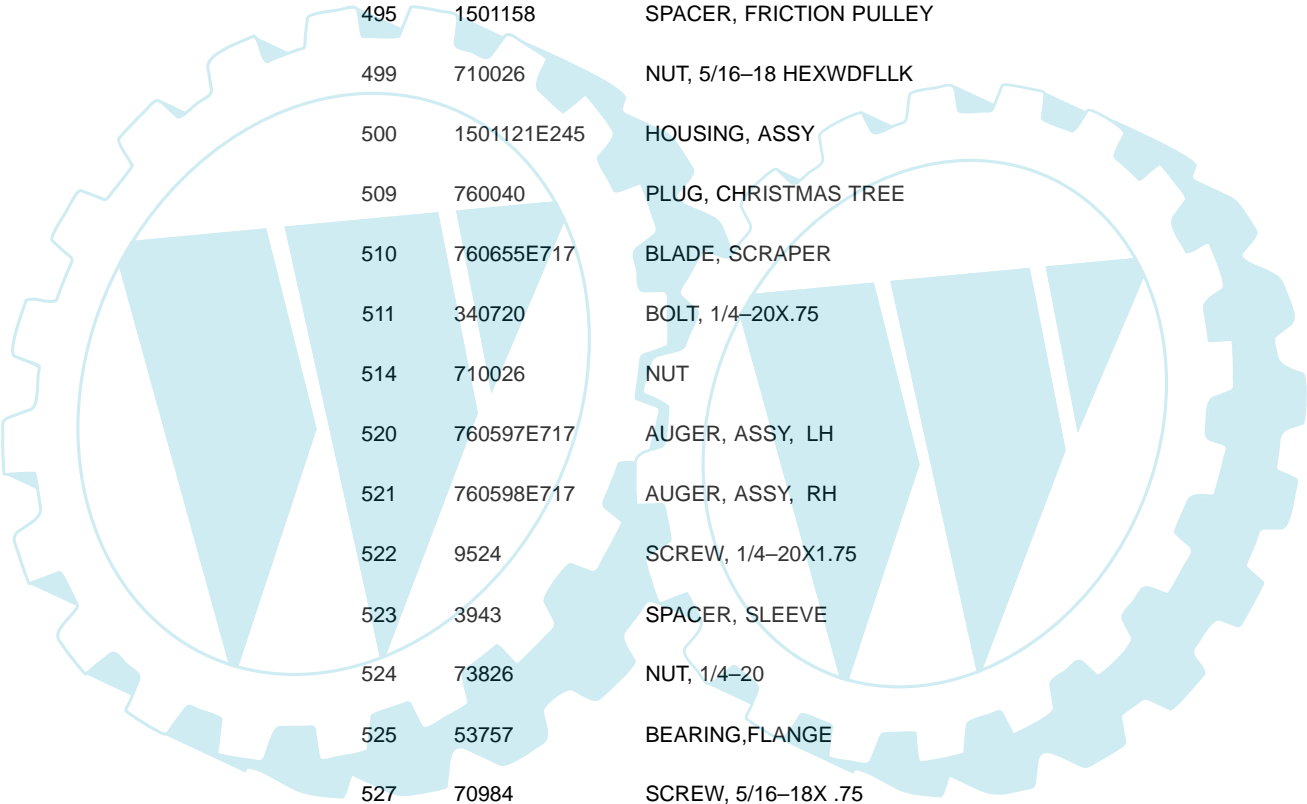
MODEL 629909x54A

REPAIR PARTS AUGER HOUSING



MODEL 629909x54A

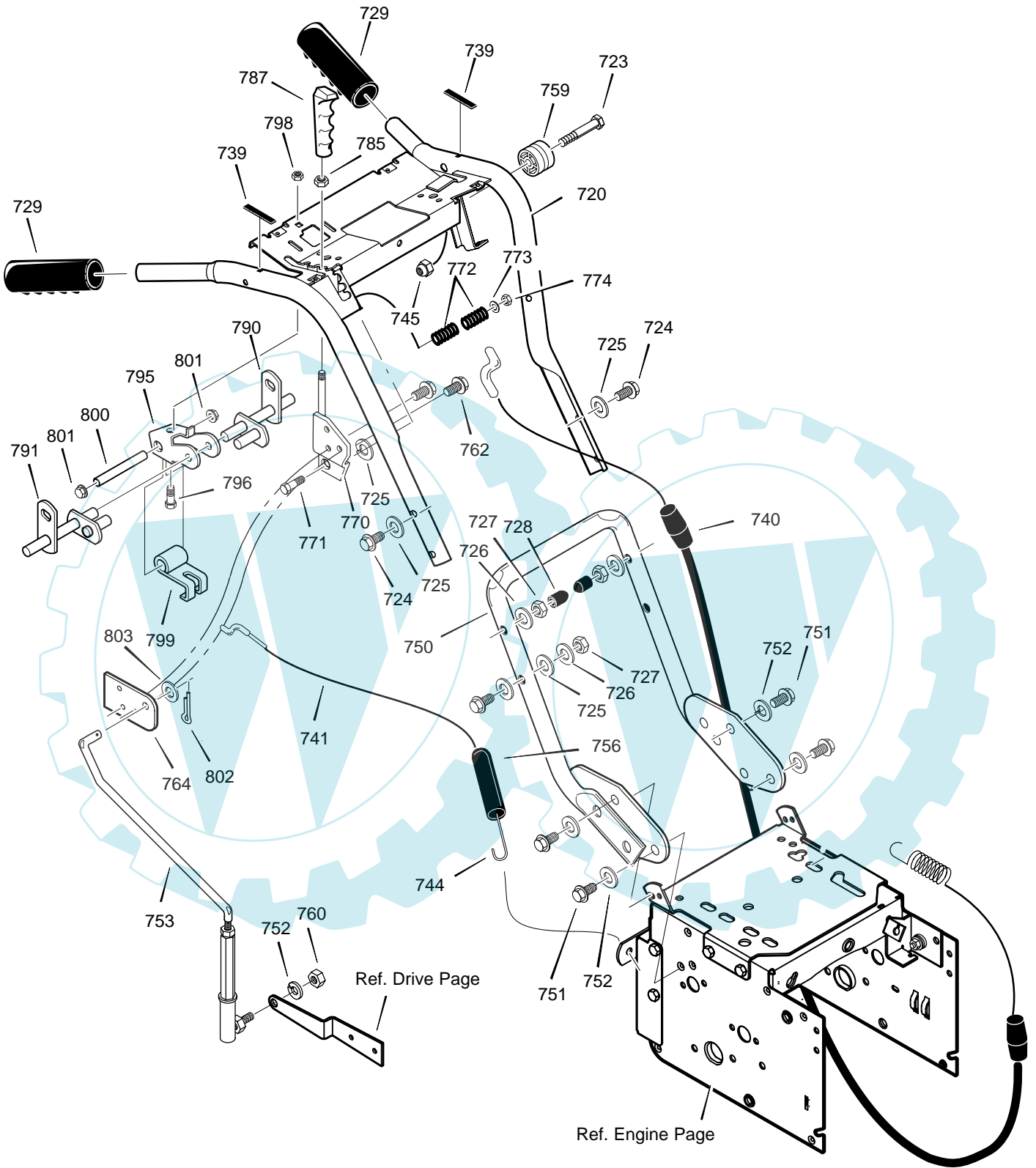
REPAIR PARTS AUGER HOUSING



| Key No. | Part No. | Description |
|---------|-------------|--------------------------|
| 480 | 583146 | PULLEY |
| 484 | 15X112 | NUT, 1/4-20 |
| 490 | 582957 YZ | RETAINER, BALL BRNG |
| 491 | 43846 | BEARING, BALL |
| 492 | 2001022 | KEY, SQUARE |
| 493 | 001X92 | BOLT, HEX - 0.31-18X0.50 |
| 495 | 1501158 | SPACER, FRICTION PULLEY |
| 499 | 710026 | NUT, 5/16-18 HEXWDFLLK |
| 500 | 1501121E245 | HOUSING, ASSY |
| 509 | 760040 | PLUG, CHRISTMAS TREE |
| 510 | 760655E717 | BLADE, SCRAPER |
| 511 | 340720 | BOLT, 1/4-20X.75 |
| 514 | 710026 | NUT |
| 520 | 760597E717 | AUGER, ASSY, LH |
| 521 | 760598E717 | AUGER, ASSY, RH |
| 522 | 9524 | SCREW, 1/4-20X1.75 |
| 523 | 3943 | SPACER, SLEEVE |
| 524 | 73826 | NUT, 1/4-20 |
| 525 | 53757 | BEARING, FLANGE |
| 527 | 70984 | SCREW, 5/16-18X .75 |
| 540 | 762379E717 | SKID, HEIGHT ADJUST |
| 541 | 340720 | BOLT, 5/16-18 X .75 |
| 544 | 710026 | NUT, 5/16-18 REGHEX |

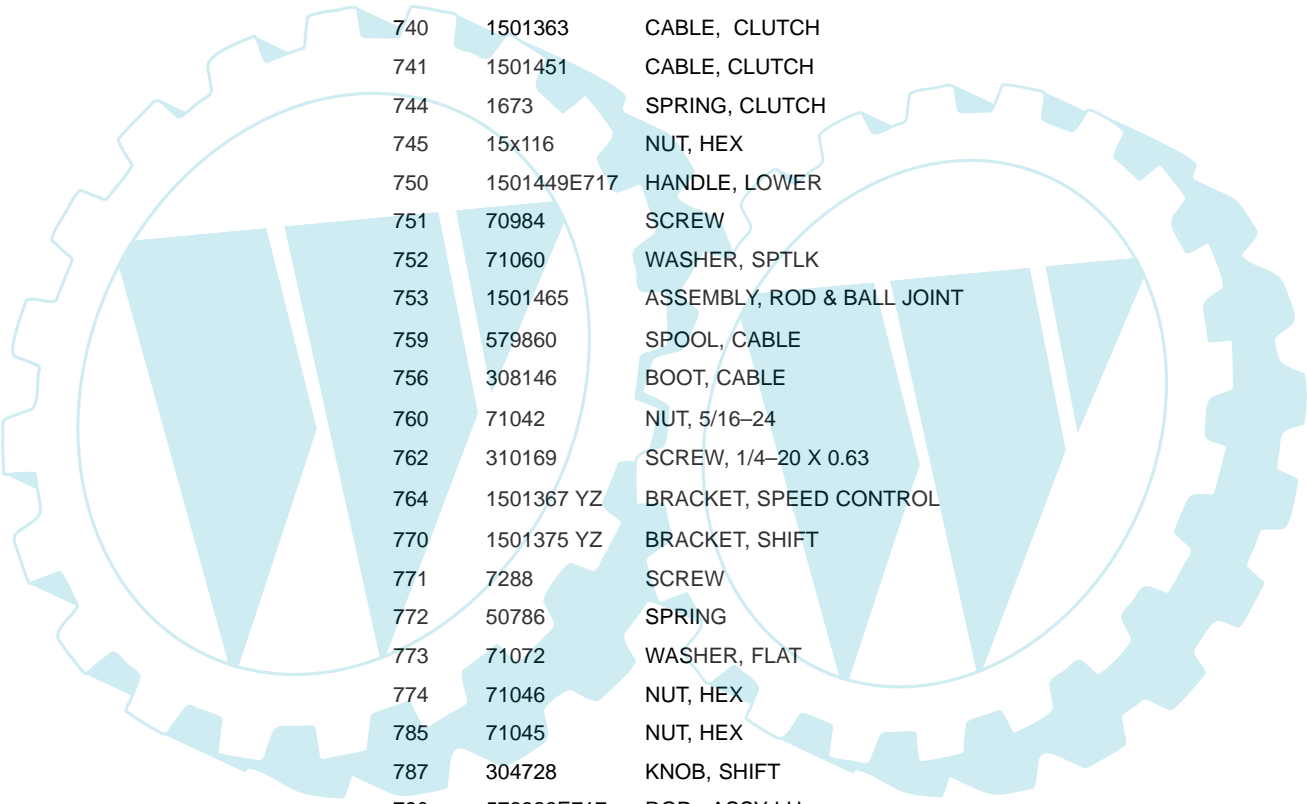
MODEL 629909x54A

REPAIR PARTS
HANDLE



MODEL 629909x54A

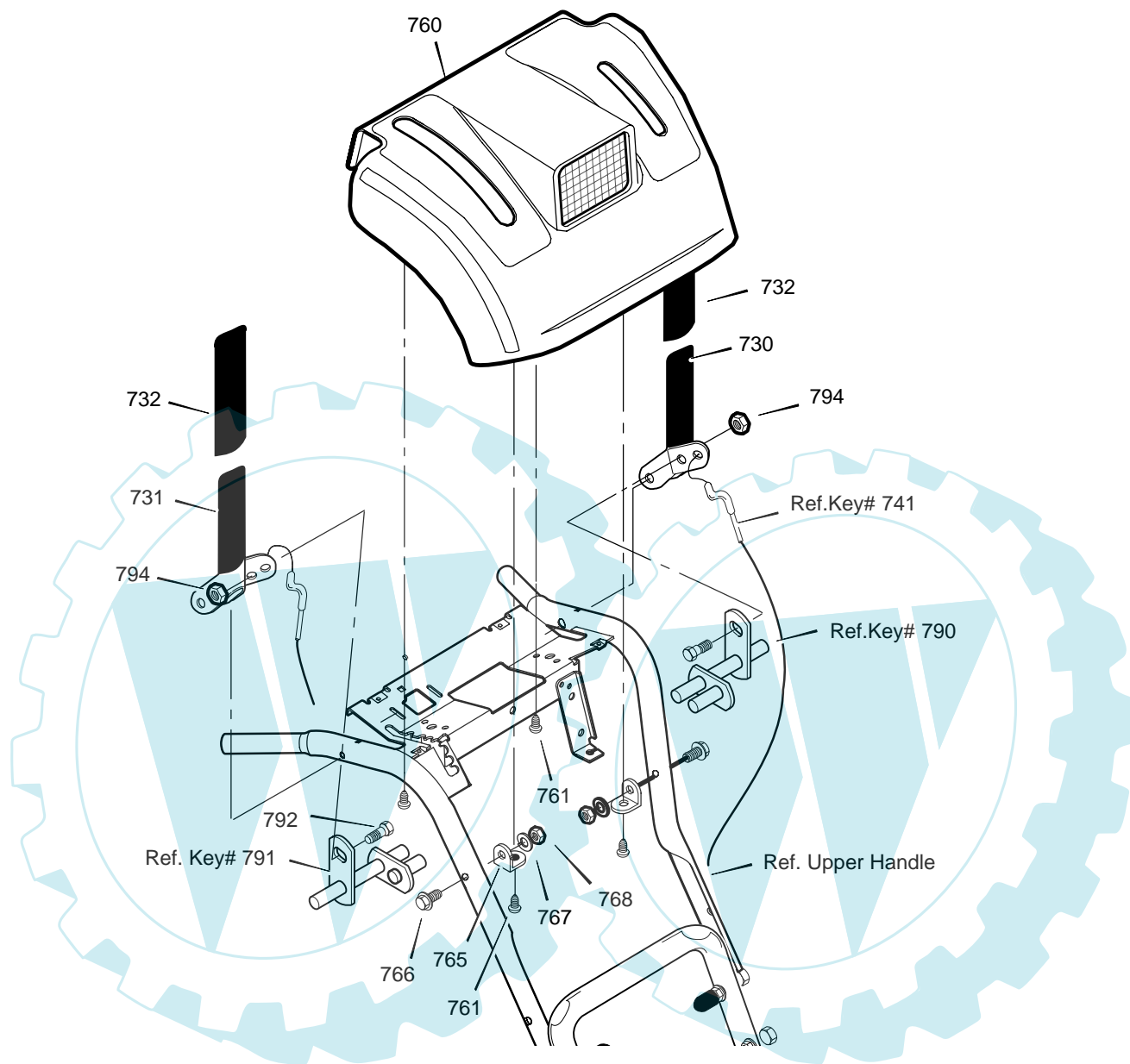
**REPAIR PARTS
HANDLE**



| Key No. | Part No. | Description |
|----------------|-----------------|----------------------------|
| 720 | 1501381E717 | ASSY., HANDLE |
| 723 | 01x129 | BOLT |
| 724 | 7288 | SCREW |
| 725 | 71072 | WASHER, FLAT |
| 726 | 71062 | WASHER |
| 727 | 71044 | NUT |
| 728 | 7289 | STOP, PLASTIC |
| 729 | 337399 | GRIP, HANDLE |
| 739 | 4049 | BUMPER |
| 740 | 1501363 | CABLE, CLUTCH |
| 741 | 1501451 | CABLE, CLUTCH |
| 744 | 1673 | SPRING, CLUTCH |
| 745 | 15x116 | NUT, HEX |
| 750 | 1501449E717 | HANDLE, LOWER |
| 751 | 70984 | SCREW |
| 752 | 71060 | WASHER, SPTLK |
| 753 | 1501465 | ASSEMBLY, ROD & BALL JOINT |
| 759 | 579860 | SPOOL, CABLE |
| 756 | 308146 | BOOT, CABLE |
| 760 | 71042 | NUT, 5/16-24 |
| 762 | 310169 | SCREW, 1/4-20 X 0.63 |
| 764 | 1501367 YZ | BRACKET, SPEED CONTROL |
| 770 | 1501375 YZ | BRACKET, SHIFT |
| 771 | 7288 | SCREW |
| 772 | 50786 | SPRING |
| 773 | 71072 | WASHER, FLAT |
| 774 | 71046 | NUT, HEX |
| 785 | 71045 | NUT, HEX |
| 787 | 304728 | KNOB, SHIFT |
| 790 | 578926E717 | ROD, ASSY LH |
| 791 | 578924E717 | ROD, ASSY RH |
| 795 | 579002 | BRACKET, CAM |
| 796 | 002x53 | SCREW |
| 798 | 71038 | NUT, NYLOCK |
| 799 | 8417 | CAM LOCK |
| 800 | 584673 | PIN, SPRING PIVOT |
| 801 | 73664 | NUT, PUSH ON |
| 802 | 71081 | PIN, COTTER |
| 803 | 71071 | FLATWASHER |

MODEL 629909x54A

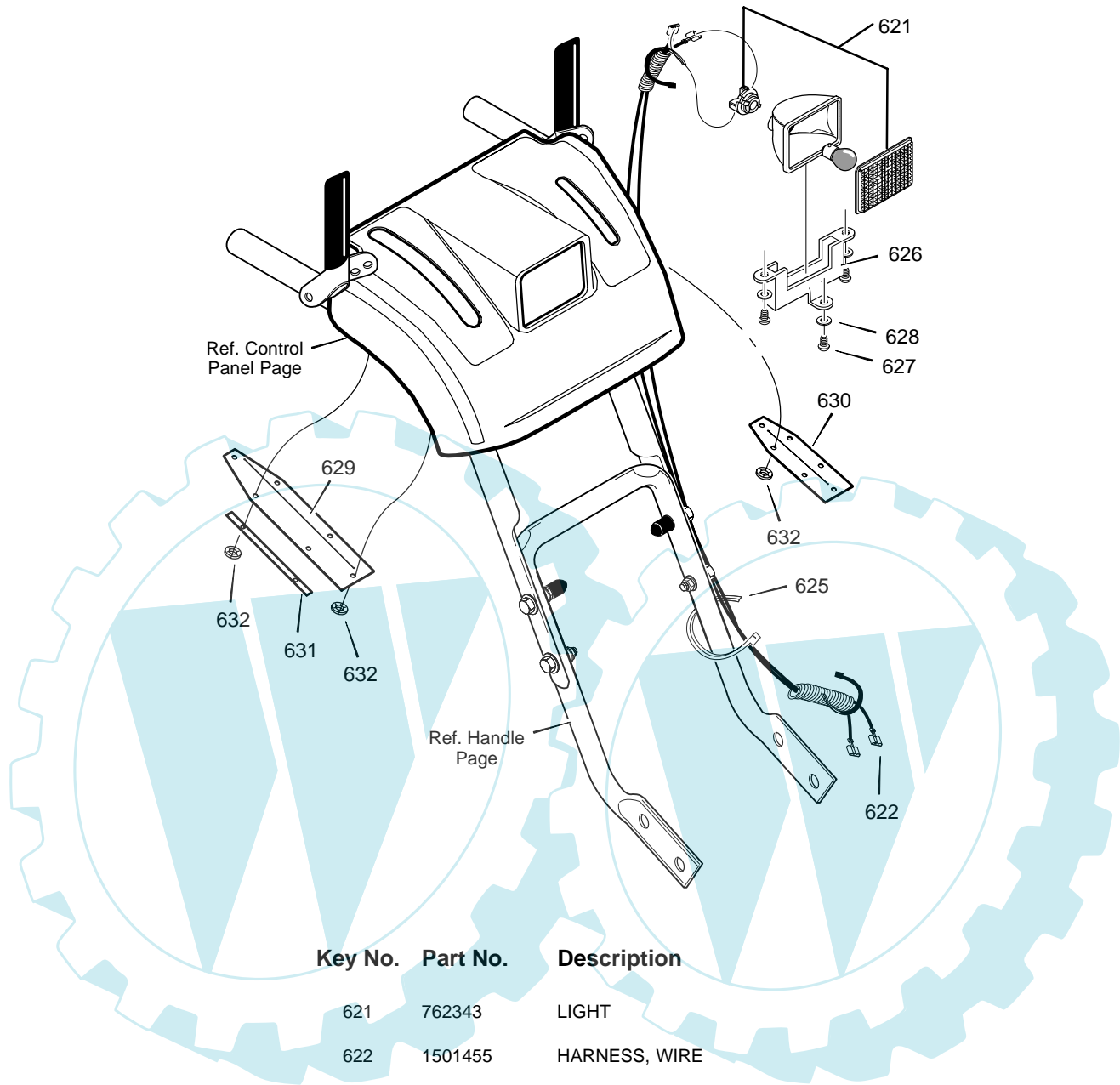
**REPAIR PARTS
CONTROL PANEL ASSEMBLY**



| Key No. | Part No. | Description | Key No. | Part No. | Description |
|---------|-------------|------------------|---------|----------|-----------------------|
| 730 | 1501357E717 | CLUTCH HANDLE LH | 766 | 302900 | SCREW, 5/16-18 X 1.75 |
| 731 | 1501358E717 | CLUTCH HANDLE RH | 767 | 71060 | WASHER |
| 732 | 337380 | GRIP | 768 | 15x144 | NUT, 5/16-18 |
| 760 | 1501327 | PANEL, CONTROL | 792 | 905531 | BOLT, 1/4-20 X .50 |
| 761 | 316042 | SCREW, 10 X .62 | 794 | 908913 | NUT, 1/4-20 |
| 765 | 578866E717 | BRACKET, PANEL | | | |

MODEL 629909x54A

REPAIR PARTS
HEADLIGHT

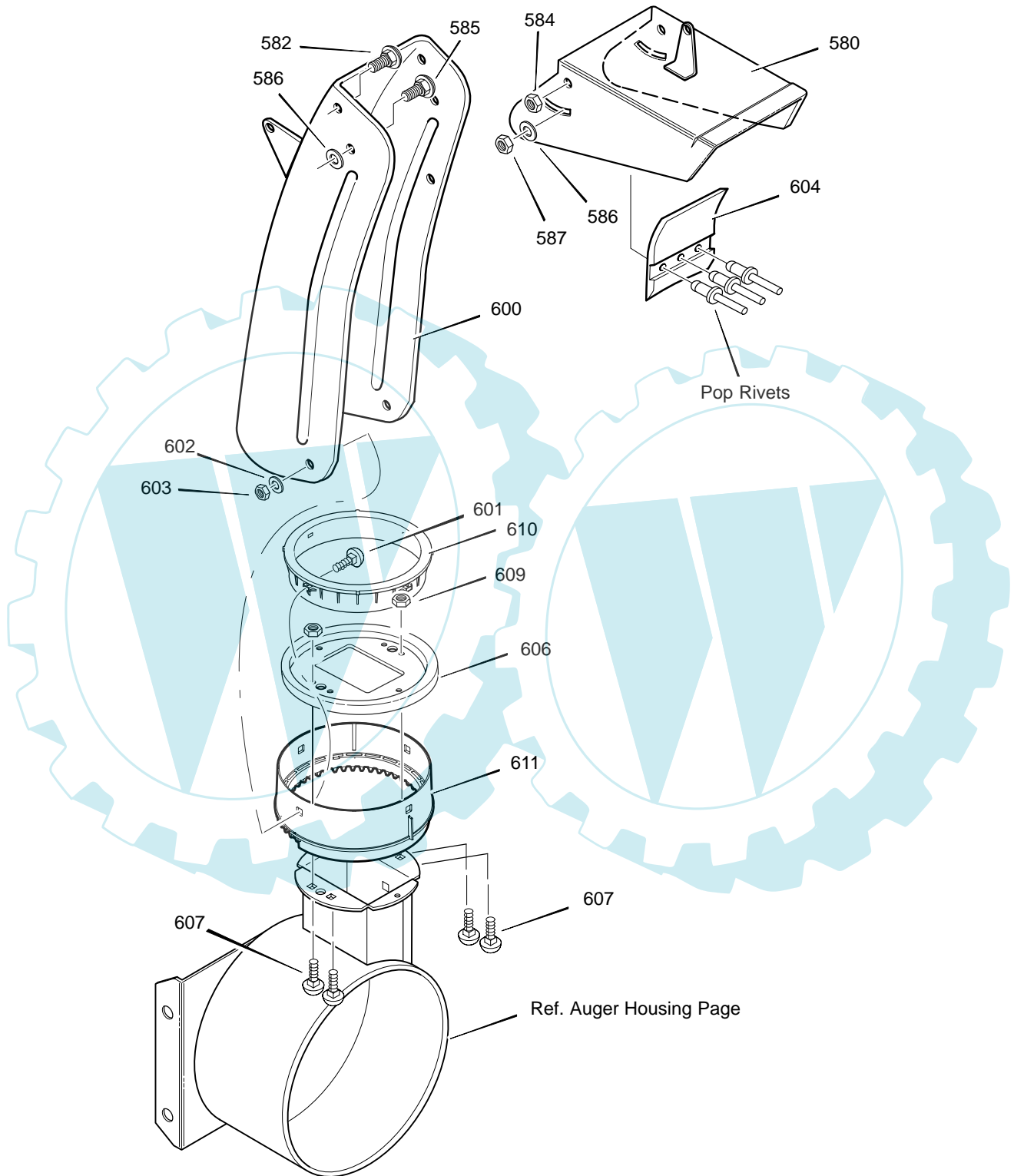


Key No. Part No. Description

| | | |
|-----|---------|----------------|
| 621 | 762343 | LIGHT |
| 622 | 1501455 | HARNES, WIRE |
| 625 | 71372 | TIE, CABLE |
| 626 | 578921 | BRACKET |
| 627 | 901696 | SCREW #8 X .50 |
| 628 | 901736 | WASHER, FLAT |
| 629 | 1501401 | COVER |
| 630 | 1501402 | COVER |
| 631 | 1501330 | FRAME |
| 632 | 028x79 | NUT, PUSH |

MODEL 629909x54A

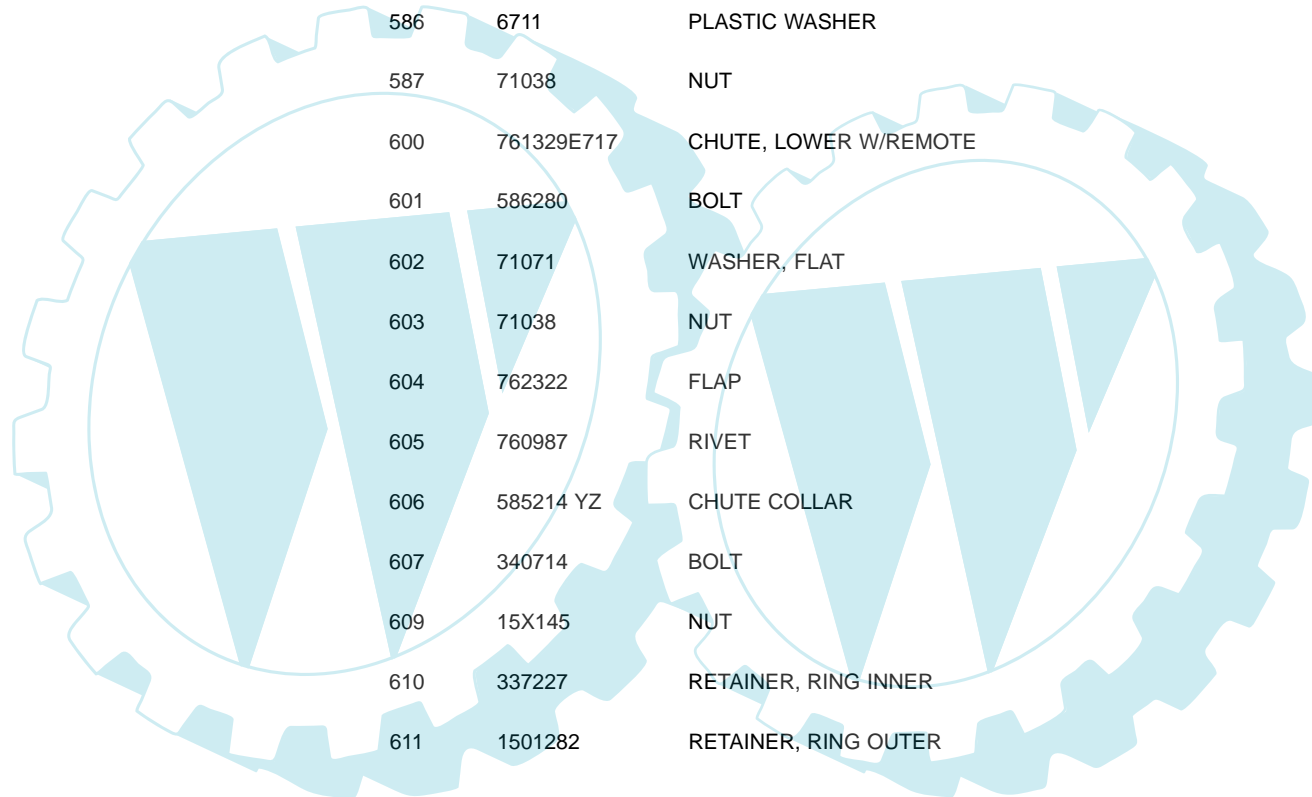
REPAIR PARTS
DISCHARGE CHUTE



C3100A

MODEL 629909x54A

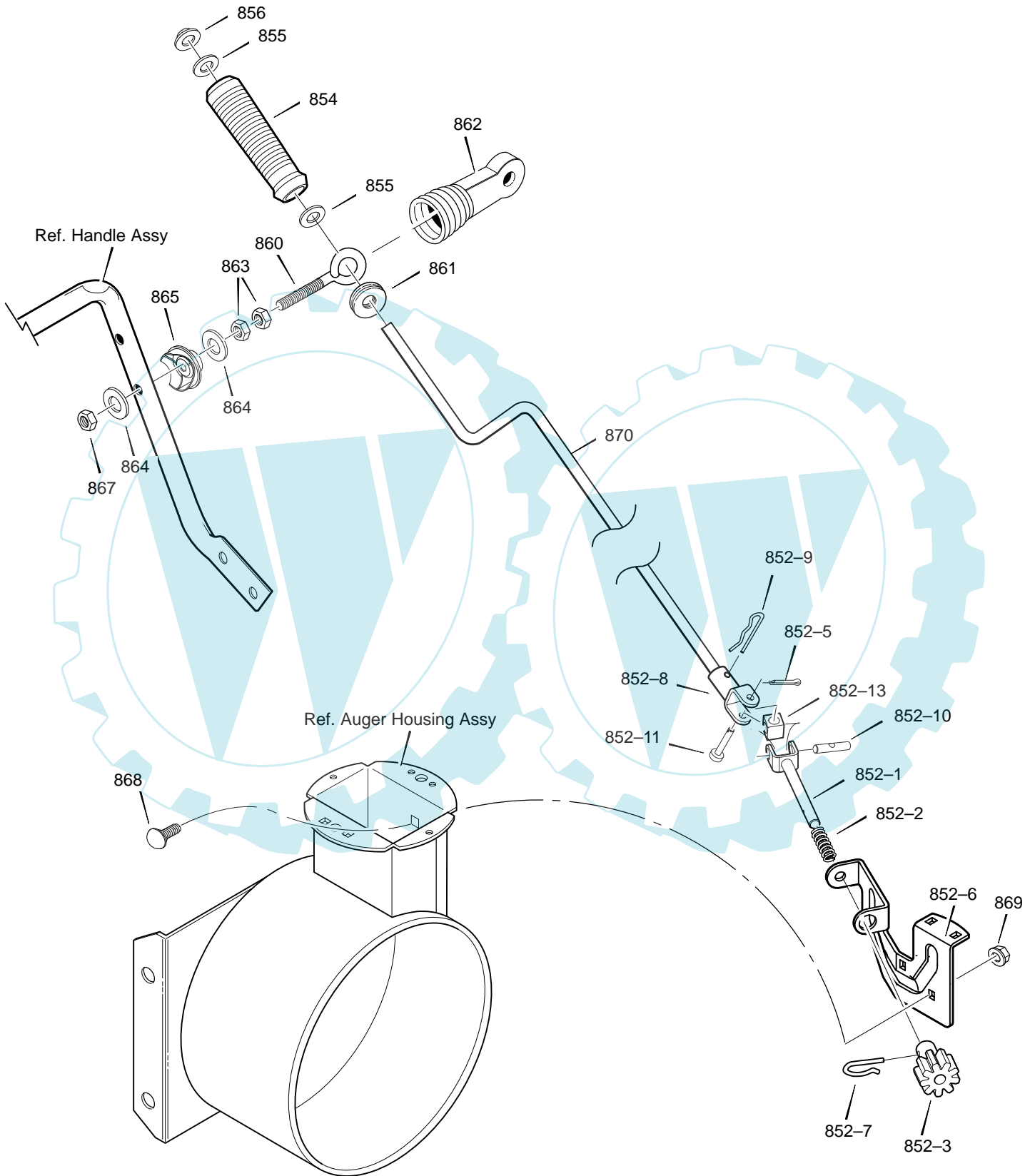
REPAIR PARTS DISCHARGE CHUTE



| Key No. | Part No. | Description |
|---------|------------|-----------------------|
| 580 | 761168E717 | CHUTE, UPPER W/REMOTE |
| 582 | 578088 | SCREW, 5/16-18 X.75 |
| 584 | 71038 | NUT |
| 585 | 578088 | SCREW, 5/16-18 X.75 |
| 586 | 6711 | PLASTIC WASHER |
| 587 | 71038 | NUT |
| 600 | 761329E717 | CHUTE, LOWER W/REMOTE |
| 601 | 586280 | BOLT |
| 602 | 71071 | WASHER, FLAT |
| 603 | 71038 | NUT |
| 604 | 762322 | FLAP |
| 605 | 760987 | RIVET |
| 606 | 585214 YZ | CHUTE COLLAR |
| 607 | 340714 | BOLT |
| 609 | 15X145 | NUT |
| 610 | 337227 | RETAINER, RING INNER |
| 611 | 1501282 | RETAINER, RING OUTER |

MODEL 629909x54A

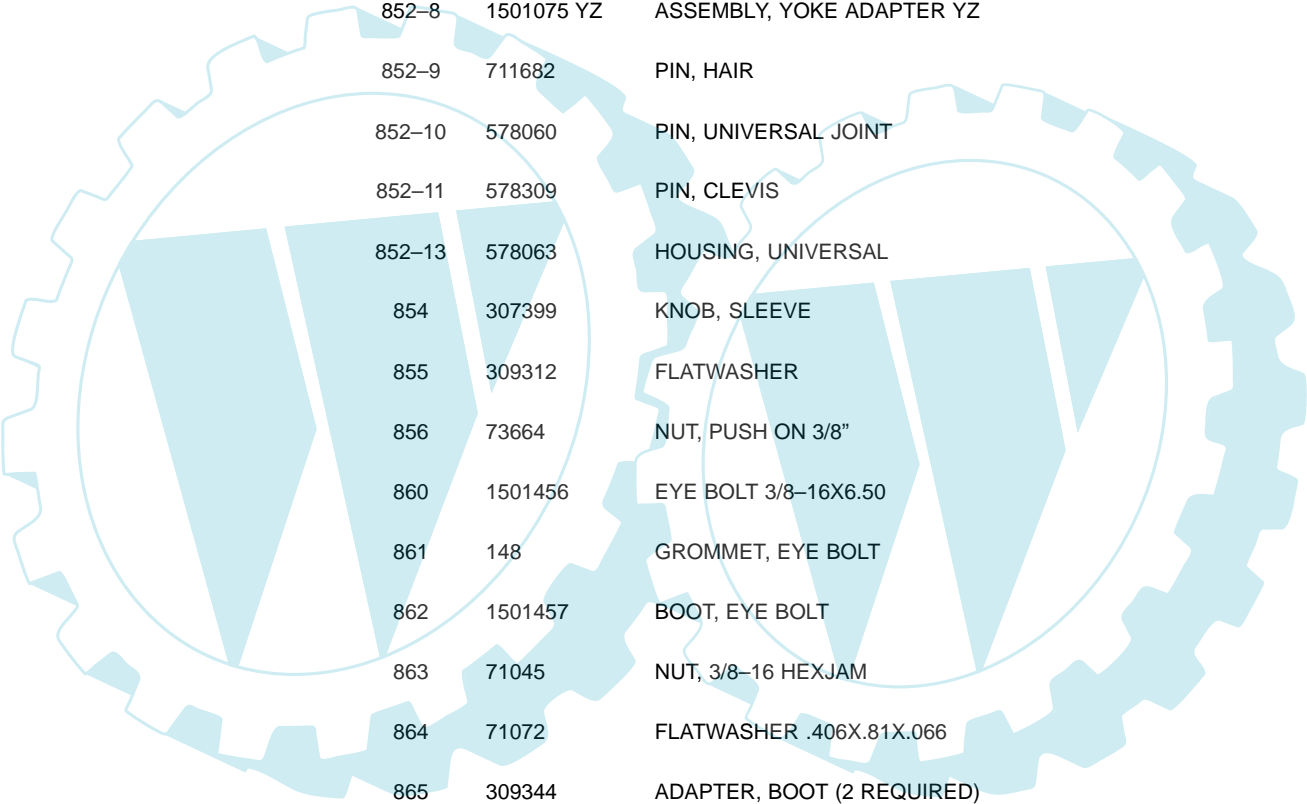
REPAIR PARTS
CHUTE ROD



CROD101B

MODEL 629909x54A

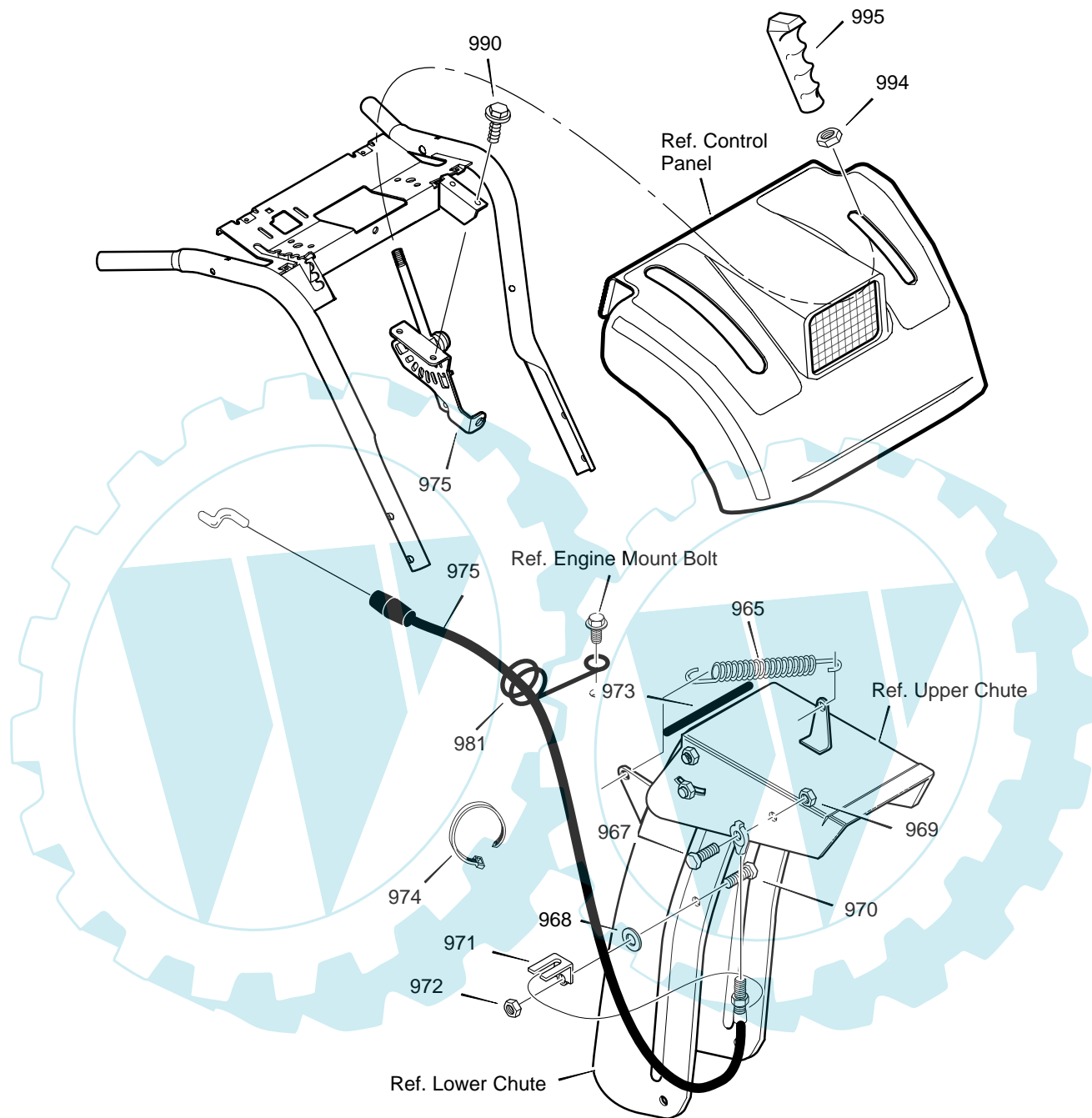
REPAIR PARTS CHUTE ROD



| Key No. | Part No. | Description |
|---------|-------------|------------------------------|
| 852-1 | 1501533 YZ | ASSEMBLY, YOKE & ROD |
| 852-2 | 164x37 | SPRING, COMPRESSION |
| 852-3 | 1501067 | GEAR, CHUTE ROTATION 9T |
| 852-5 | 579493 | PIN, COTTER |
| 852-6 | 1501306E701 | BRACKET, GEAR MOUNT |
| 852-7 | 1501293 | PIN, HAIR |
| 852-8 | 1501075 YZ | ASSEMBLY, YOKE ADAPTER YZ |
| 852-9 | 711682 | PIN, HAIR |
| 852-10 | 578060 | PIN, UNIVERSAL JOINT |
| 852-11 | 578309 | PIN, CLEVIS |
| 852-13 | 578063 | HOUSING, UNIVERSAL |
| 854 | 307399 | KNOB, SLEEVE |
| 855 | 309312 | FLATWASHER |
| 856 | 73664 | NUT, PUSH ON 3/8" |
| 860 | 1501456 | EYE BOLT 3/8-16X6.50 |
| 861 | 148 | GROMMET, EYE BOLT |
| 862 | 1501457 | BOOT, EYE BOLT |
| 863 | 71045 | NUT, 3/8-16 HEXJAM |
| 864 | 71072 | FLATWASHER .406X.81X.066 |
| 865 | 309344 | ADAPTER, BOOT (2 REQUIRED) |
| 867 | 71046 | NUT, 3/8-16 HEXNYL |
| 868 | 2X98 | BOLT, CARRIAGE 1/4-20 X 1.00 |
| 869 | 15x145 | NUT |
| 870 | 1501074 YZ | CRANK, ASSY CHUTE |

MODEL 629909x54A

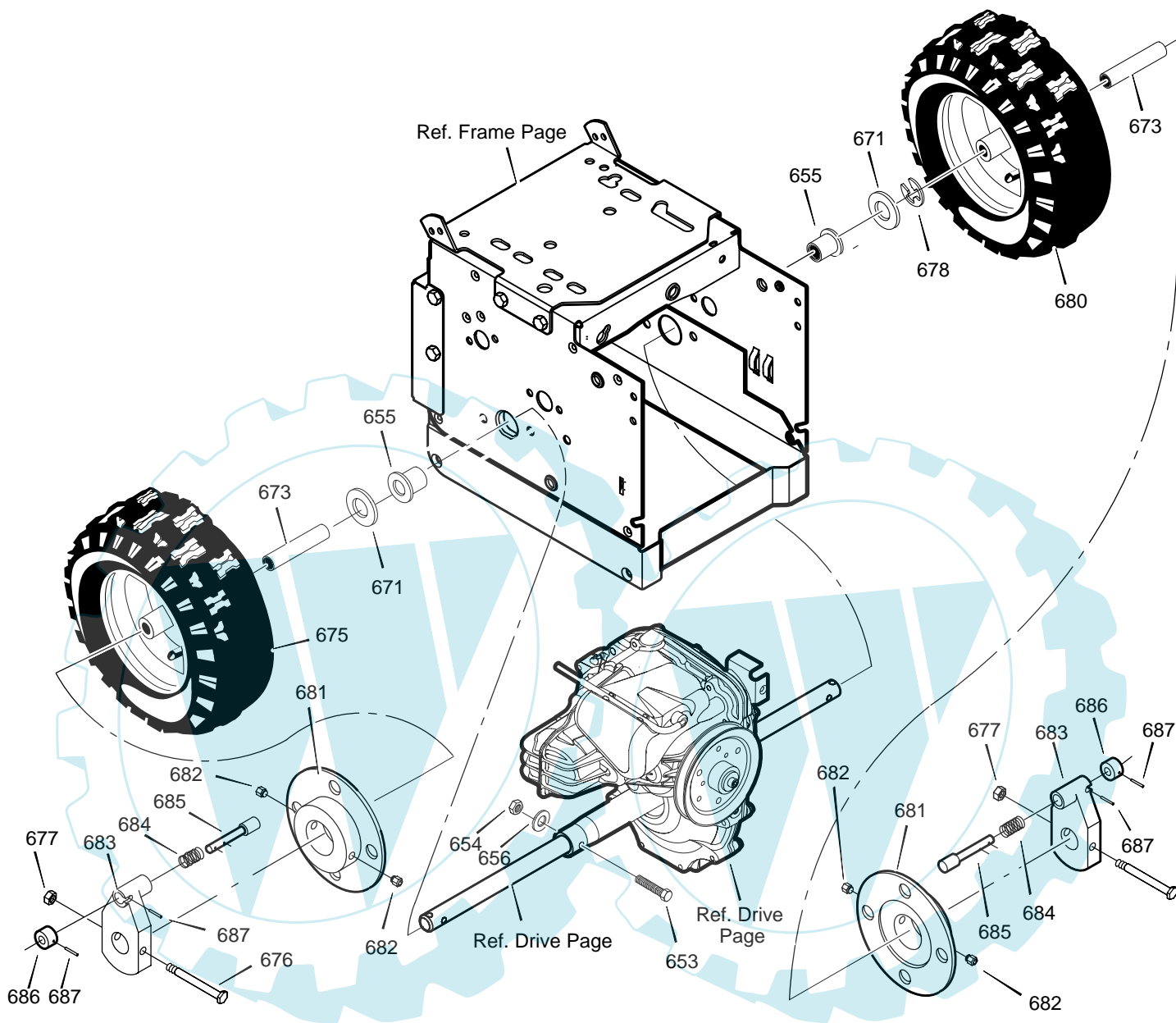
REPAIR PARTS
REMOTE CONTROL



| Key No. | Part No. | Description | Key No. | Part No. | Description |
|---------|-----------|----------------------|---------|----------|-----------------------|
| 965 | 318468 | SPRING, RETURN | 973 | 95105 | TRIM |
| 967 | 310088 | BOLT, 5/16-18 | 974 | 760113 | TIE, CABLE |
| 968 | 73787 | WASHER, FLAT | 975 | 1501393 | CABLE, CONTROL |
| 969 | 302635 | NUT, 1/4-20 | 981 | 780220 | WIRE FORM |
| 970 | 313676 | SCREW, 5/16-18 X .75 | 990 | 760858 | SCREW, 1/4-20 X 0.38 |
| 971 | 306447 YZ | BRACKET, CABLE | 994 | 71045 | NUT, 3/8-16 HEX JAM |
| 972 | 71391 | NUT, 5/16-18 | 995 | 304728 | HANDLE, 3/8-16 MOLDED |

MODEL 629909x54A

REPAIR PARTS
WHEELS



| Key No. | Part No. | Description |
|---------|----------|------------------------|
| 653 | 01x193 | SCREW, 1/4-20X1.75 |
| 654 | 15x145 | NUT, 1/4-20 HEX NYLOCK |
| 655 | 1501114 | BEARING, AXLE |
| 656 | 17x184 | WASHER |
| 671 | 712120 | FLATWASHER |
| 673 | 1501138 | BUSHING, WHEEL, RIGHT |
| 675 | 580362 | TIRE & RIM, RIGHT |
| 676 | 73839 | SCREW, 1/4-20X2.25 |
| 677 | 15x145 | NUT, 1/4-20 HEX NYLOCK |

| Key No. | Part No. | Description |
|---------|------------|---------------------|
| 678 | 239 | RING, RET |
| 680 | 580362 | TIRE & RIM, LEFT |
| 681 | 1501032 | DISC,WHEEL |
| 682 | 2001066 | SCREW |
| 683 | 1501031 | HUB, WHEEL LOCK |
| 684 | 164X34 | SPRING, COMPRESSION |
| 685 | 1501033 YZ | PIN, LOCK |
| 686 | 1501034 | KNOB |
| 687 | 032X79 | PIN |