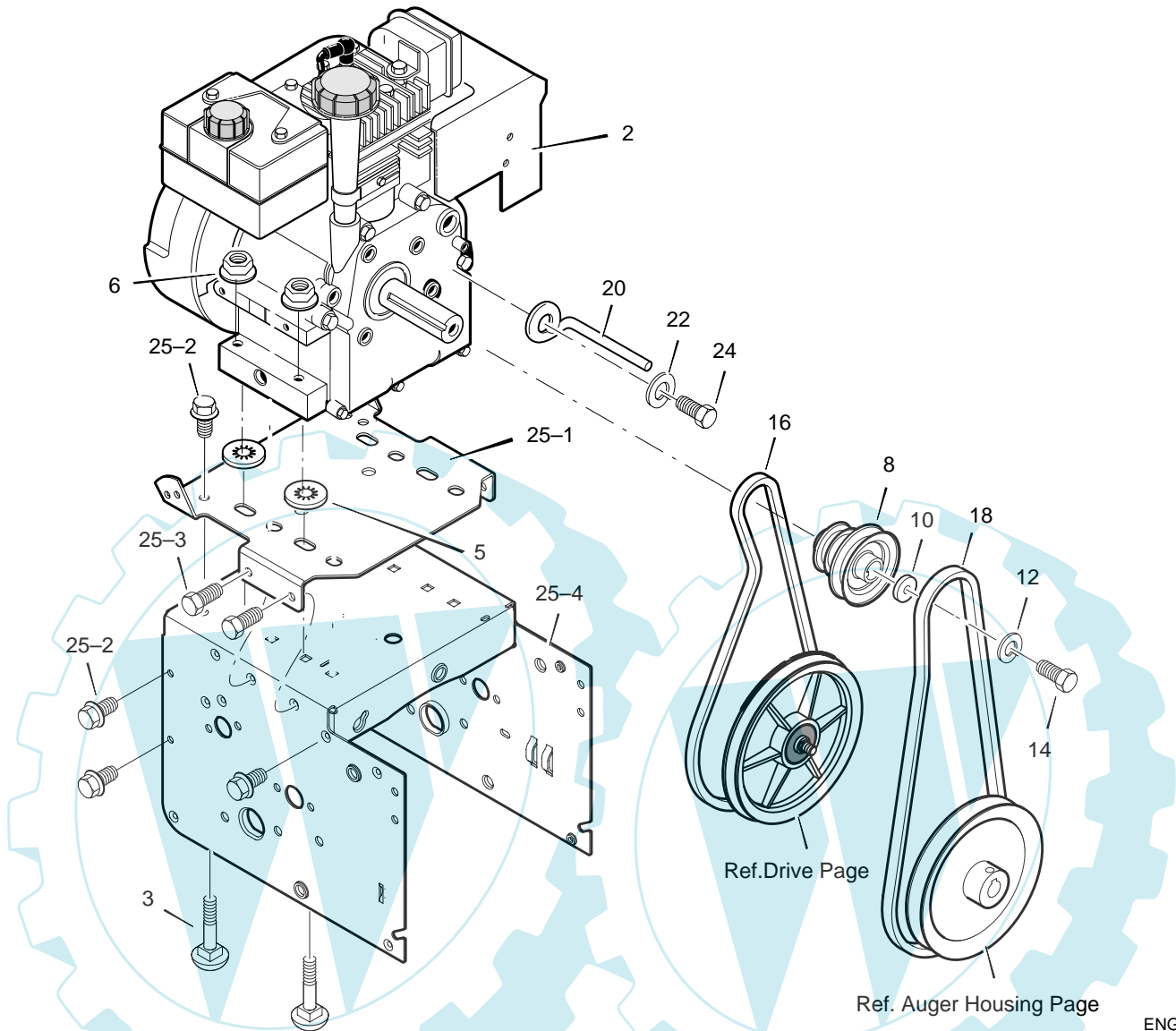


MODEL 629108x61C

REPAIR PARTS  
ENGINE



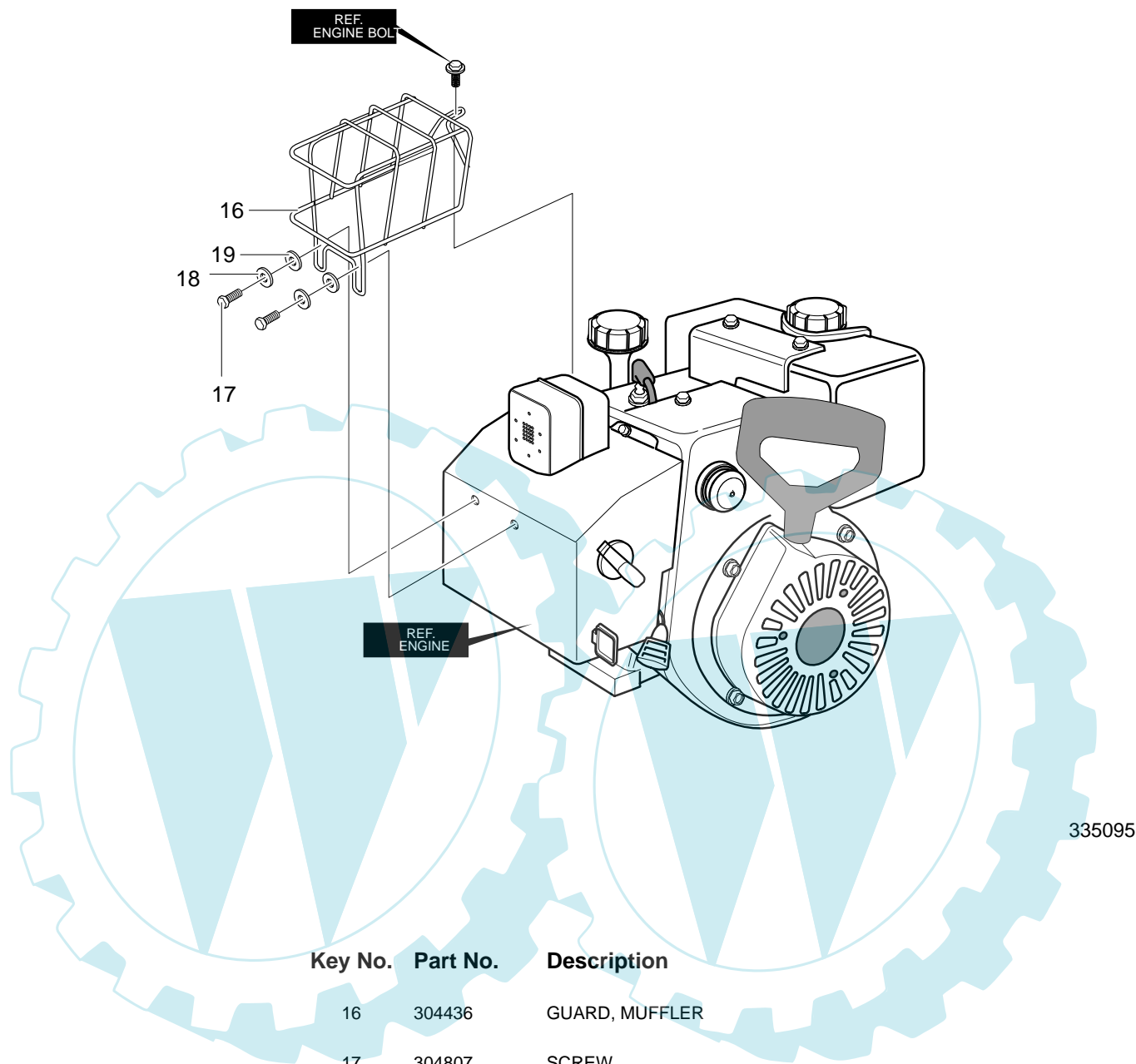
Key No.	Part No.	Description
2	-----	ENGINE
3	2x97	BOLT, CARRIAGE 5/16-18
5	28x76	RETAINER, PUSH
6	710026	NUT, HEX 5/16-18
8	1501109	PULLEY, ENGINE
10	710247	WASHER
12	71063	WASHER .38ID
14	71015	SCREW, 3/8-24X1.00
16	579932	BELT, V 3L 33.13LG
18	585416	BELT, V 4L 38.1MF16" 5-10
20	1501201	GUIDE, BELT
22	71060	WASHER, .31X.58X.08
24	710097	SCREW, 5/16-24X .75
25	-----	FRAME ASSEMBLY
25-1	1501062E540	PLATE, ENGINE MOUNT
25-2	310169	SCREW, TAP 1/4-20 X .63
25-3	780055	SCREW, TAP 5/16-18 X .50
25-4	1501049E540	FRAME, MOTOR BOX
—	F-021031L	OWNER'S MANUAL

Ref. Drive Page  
Ref. Auger Housing Page

ENG100A

# MODEL 629108x61C

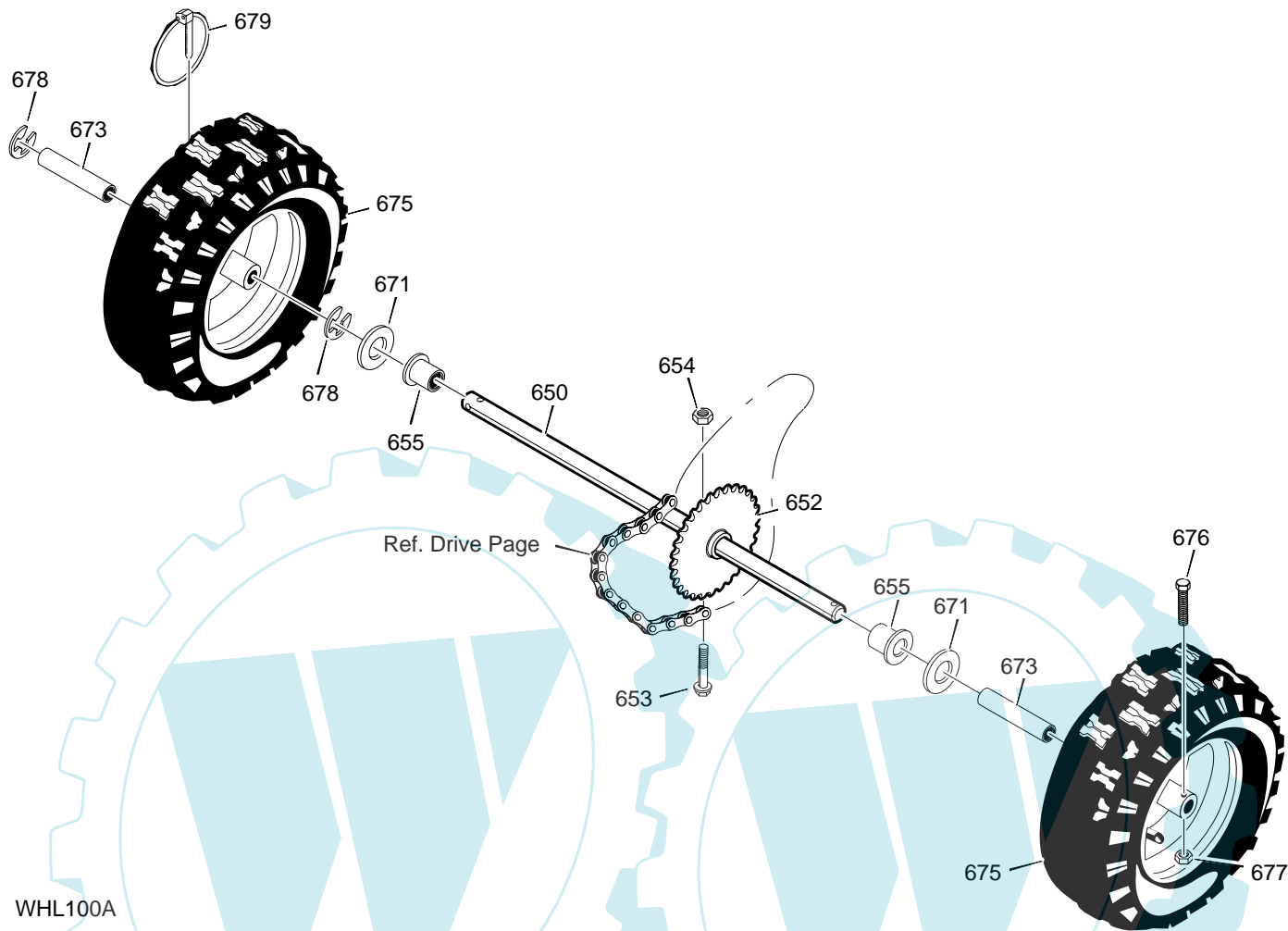
# REPAIR PARTS MUFFLER GUARD



Key No.	Part No.	Description
16	304436	GUARD, MUFFLER
17	304807	SCREW
18	304810	WASHER
19	304809	WASHER

MODEL 629108x61C

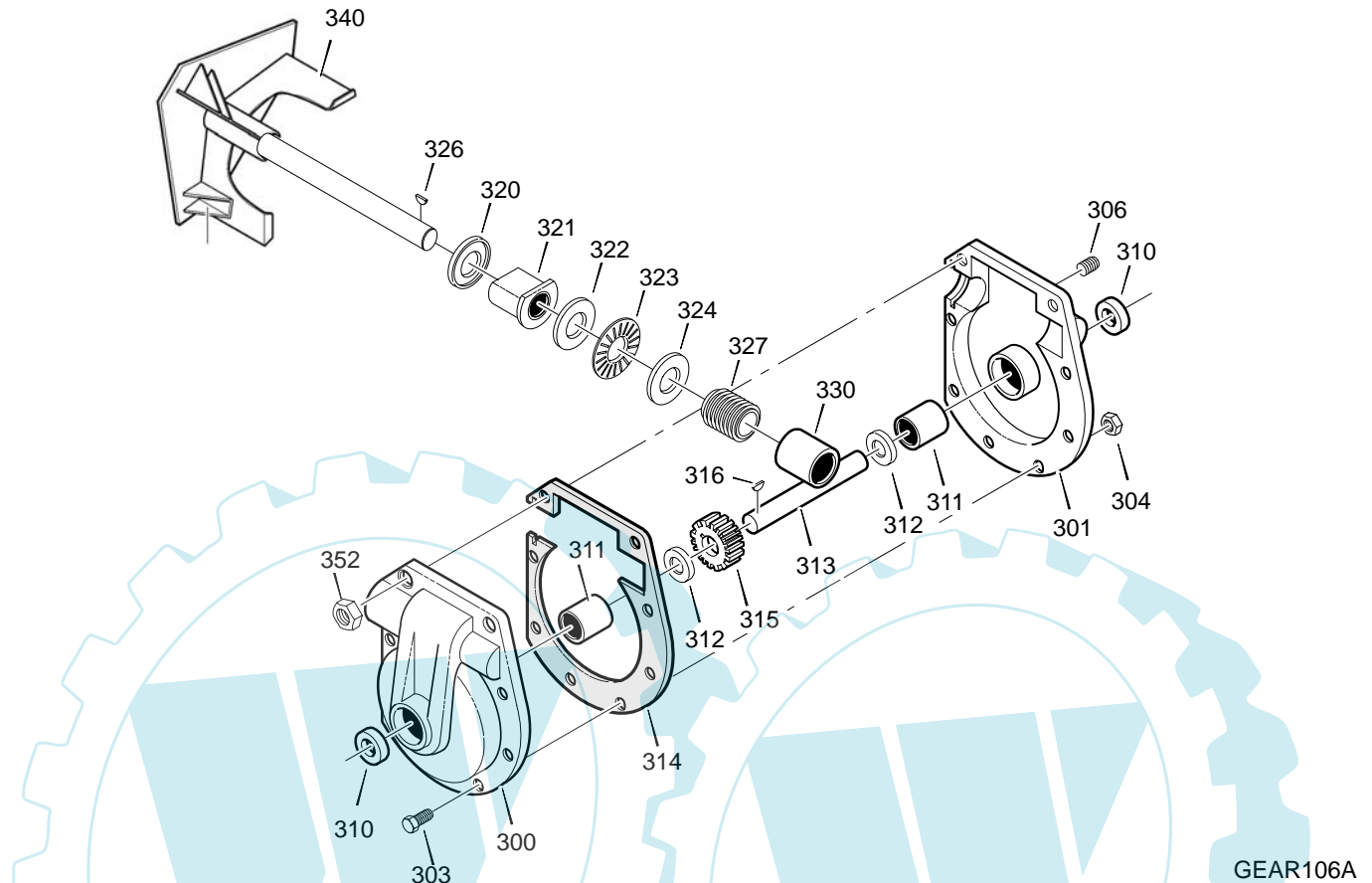
REPAIR PARTS  
WHEELS



Key No.	Part No.	Description
650	1501284	SHAFT, AXLE
652	1501089	SPRKT & HUB
653	01x193	SCREW, 1/4-20X2.25
654	15x145	NUT, 1/4-20 HEX NYLOCK
655	1501114	BEARING, AXLE
671	712120	FLATWASHER
673	1501138	BUSHING, WHEEL
675	583384	TIRE & RIM
676	577015	SCREW, 1/4-20X1.75 HH
677	15x145	NUT, 1/4-20 HEX NYLOCK
678	239	RING, RET
679	73842	PIN, KLIK .25 X 1.38 DIA

MODEL 629108x61C

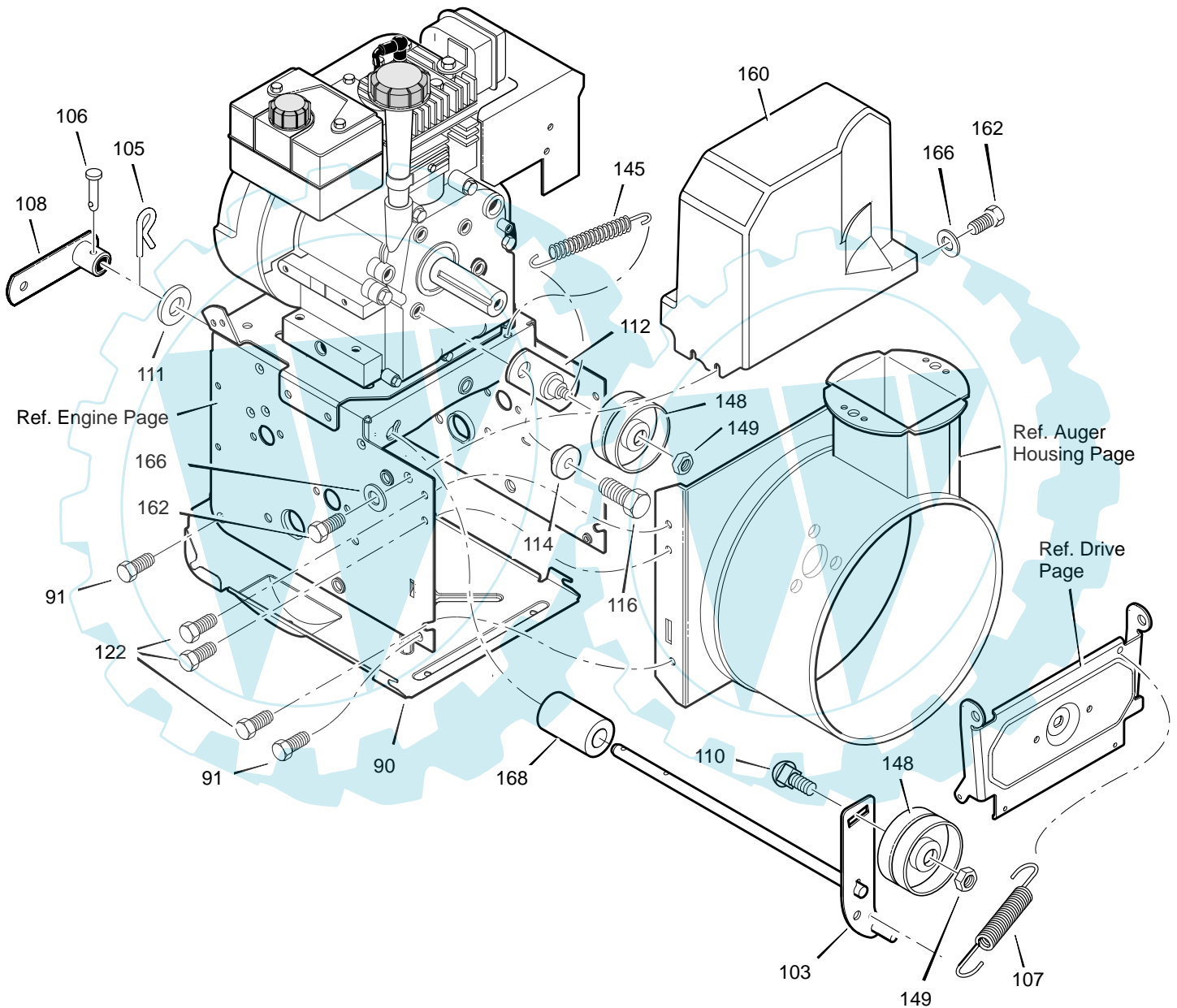
REPAIR PARTS  
GEAR CASE



Key No.	Part No.	Description
300	896	CASE, GEAR, RH
301	895	CASE, GEAR, LH
303	910828	SCREW, 1/4-20X.75
304	71100	NUT, 1/4-20
305	330434	NUT, 1/4-20 HEXKEPS
306	53749	SCREW, 3/8-16X.50
310	780151	SEAL, OIL
311	53743	BEARING, FL
312	53748	WASHER, FLAT
313	760528	SHAFT, AUGER OUTPUT
314	897	GASKET, GEAR BOX
315	53730	WORM GEAR
316	73905	KEY, WOODRUFF #61
320	53737	BRNG, FL
321	583126	SHAFT, AUGER INPUT
322	48275	COLLAR, THRUST
323	50684	PIN, SPRING
324	48275	WASHER, FLAT
326	50795	BRNG, FL
327	53732	SEAL, OIL
330	53731	BEARING
340	1501147E701	IMPELLER
—	333431	10oz TUBE LUBRIPLATE

MODEL 629108x61C

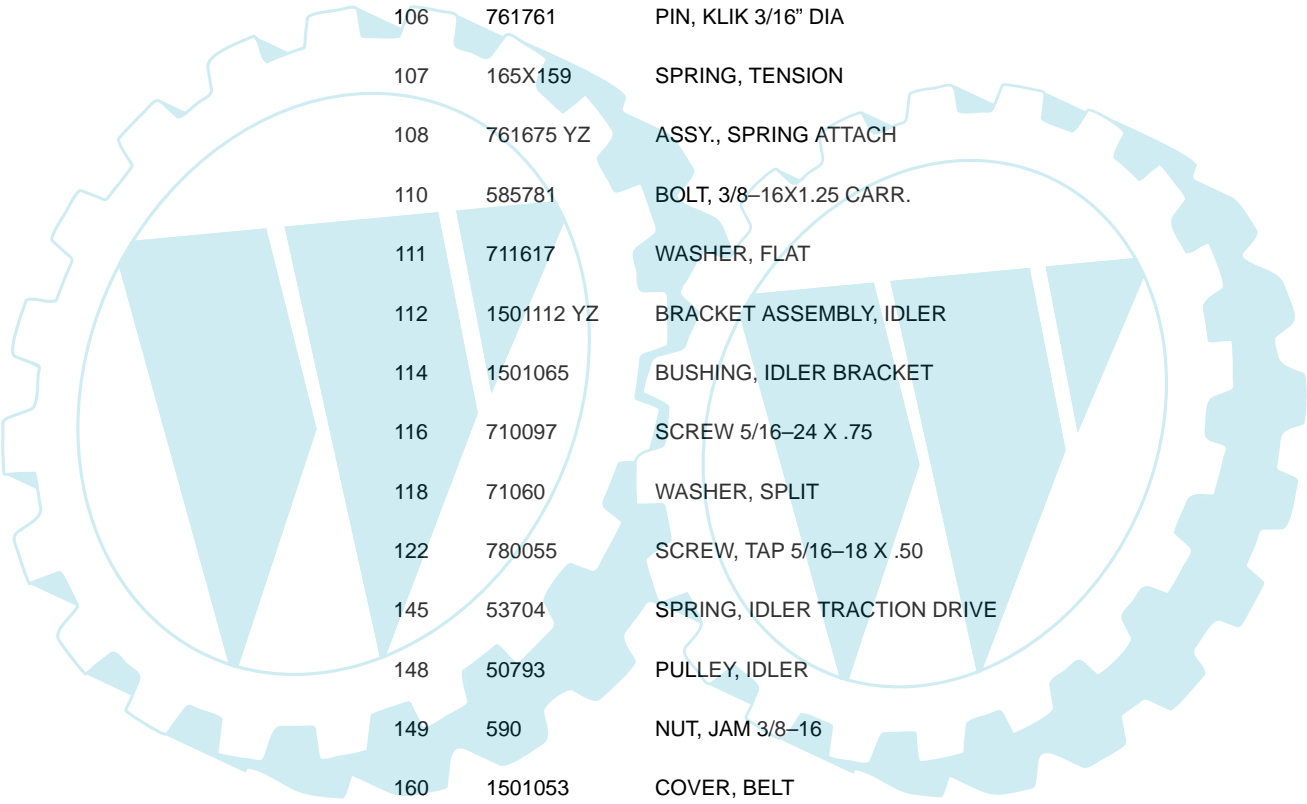
REPAIR PARTS  
FRAME



FRA100A

**MODEL 629108x61C**

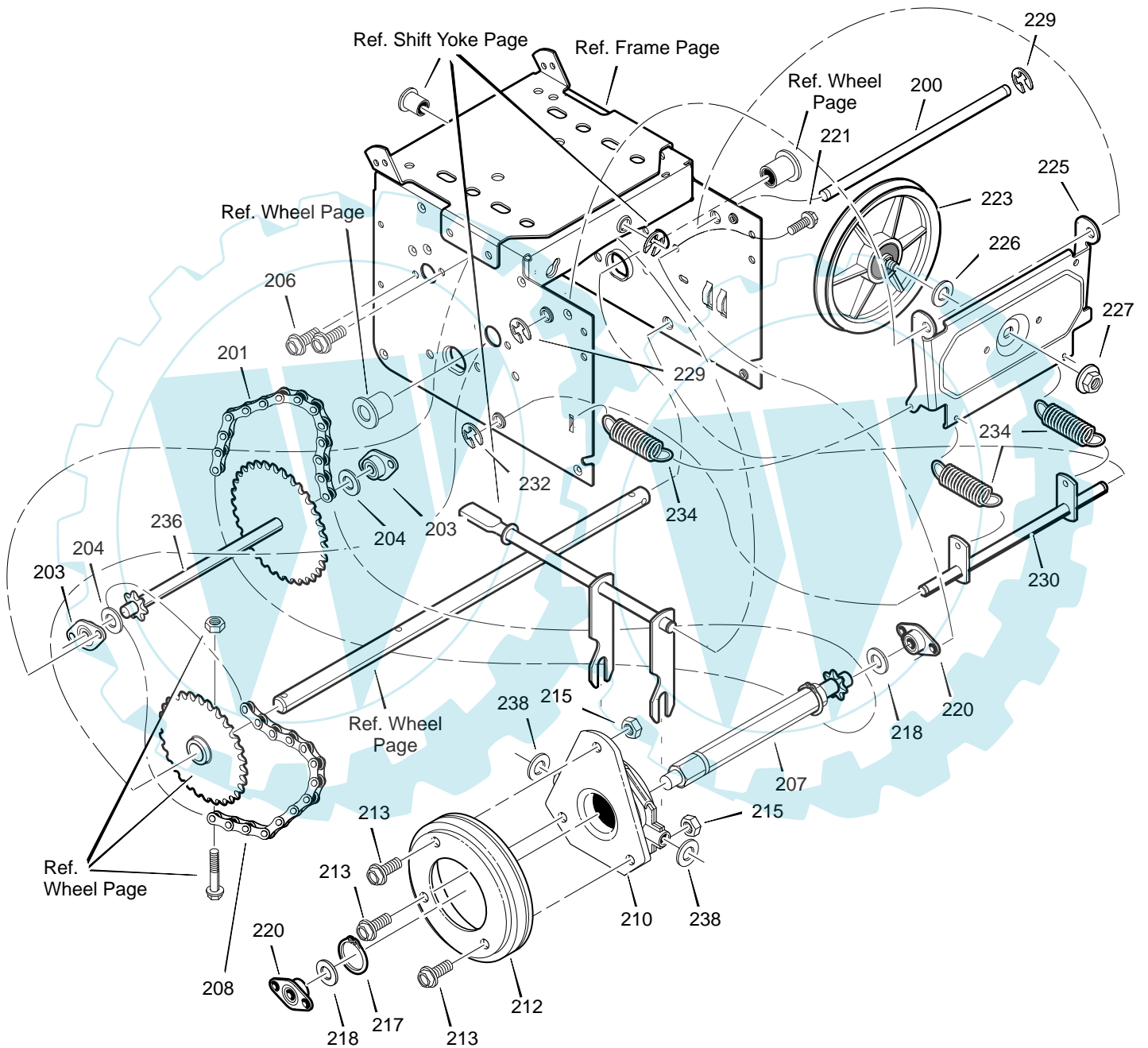
**REPAIR PARTS  
FRAME**



<b>Key No.</b>	<b>Part No.</b>	<b>Description</b>
122	780055	SCREW, 5/16-18X .50
90	1501055E701	COVER, BOTTOM
91	310169	SCREW, 1/4-20X .63
103	1501226 YZ	IDLER ASSEMBLY, AUGER
105	711682	PIN, HAIR .38DIA X 1.64LG
106	761761	PIN, KLIK 3/16" DIA
107	165X159	SPRING, TENSION
108	761675 YZ	ASSY., SPRING ATTACH
110	585781	BOLT, 3/8-16X1.25 CARR.
111	711617	WASHER, FLAT
112	1501112 YZ	BRACKET ASSEMBLY, IDLER
114	1501065	BUSHING, IDLER BRACKET
116	710097	SCREW 5/16-24 X .75
118	71060	WASHER, SPLIT
122	780055	SCREW, TAP 5/16-18 X .50
145	53704	SPRING, IDLER TRACTION DRIVE
148	50793	PULLEY, IDLER
149	590	NUT, JAM 3/8-16
160	1501053	COVER, BELT
162	310169	SCREW, TAP 1/4-20 X .63
166	71067	WASHER, FLAT
168	1501200	SPACER, AUGER BRACKET

# MODEL 629108x61C

# REPAIR PARTS DRIVE

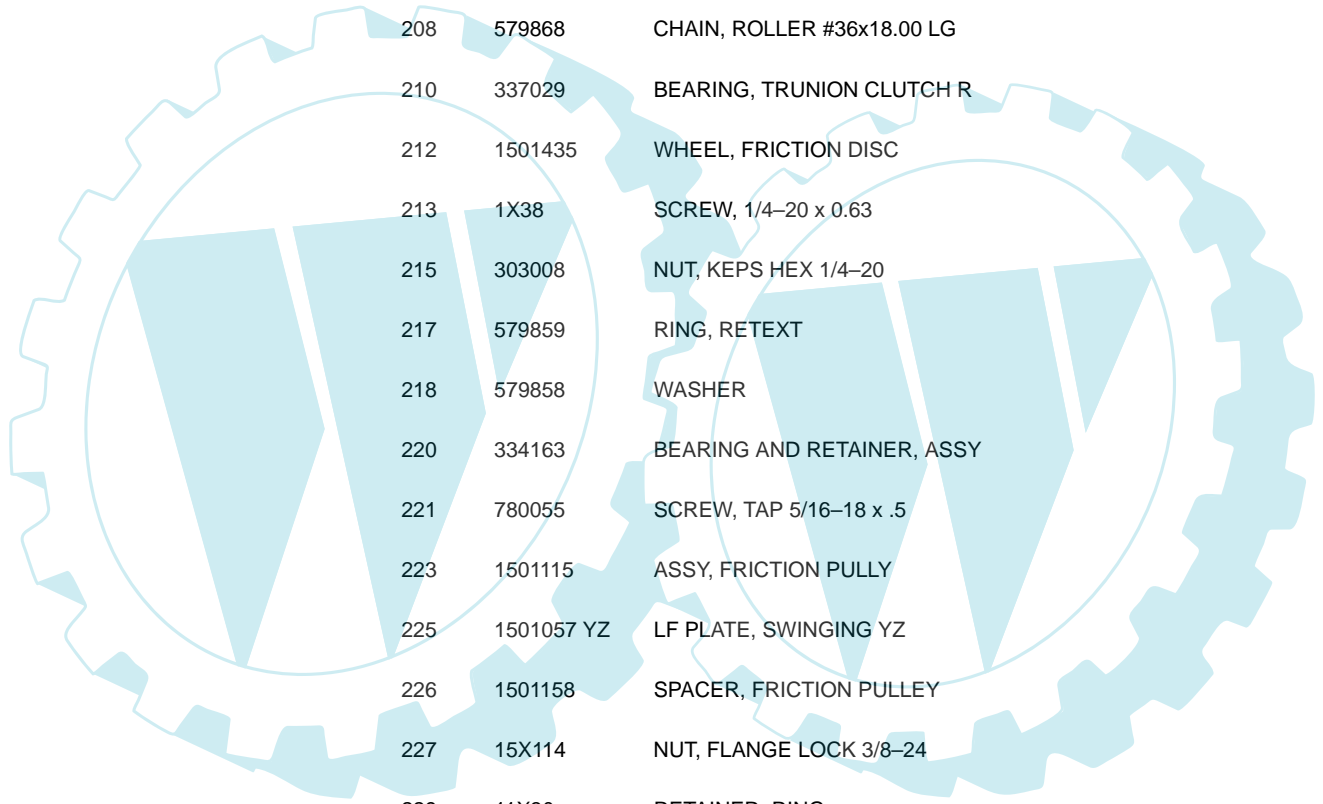


DR100A

**MODEL 629108x61C**

**REPAIR PARTS  
DRIVE**

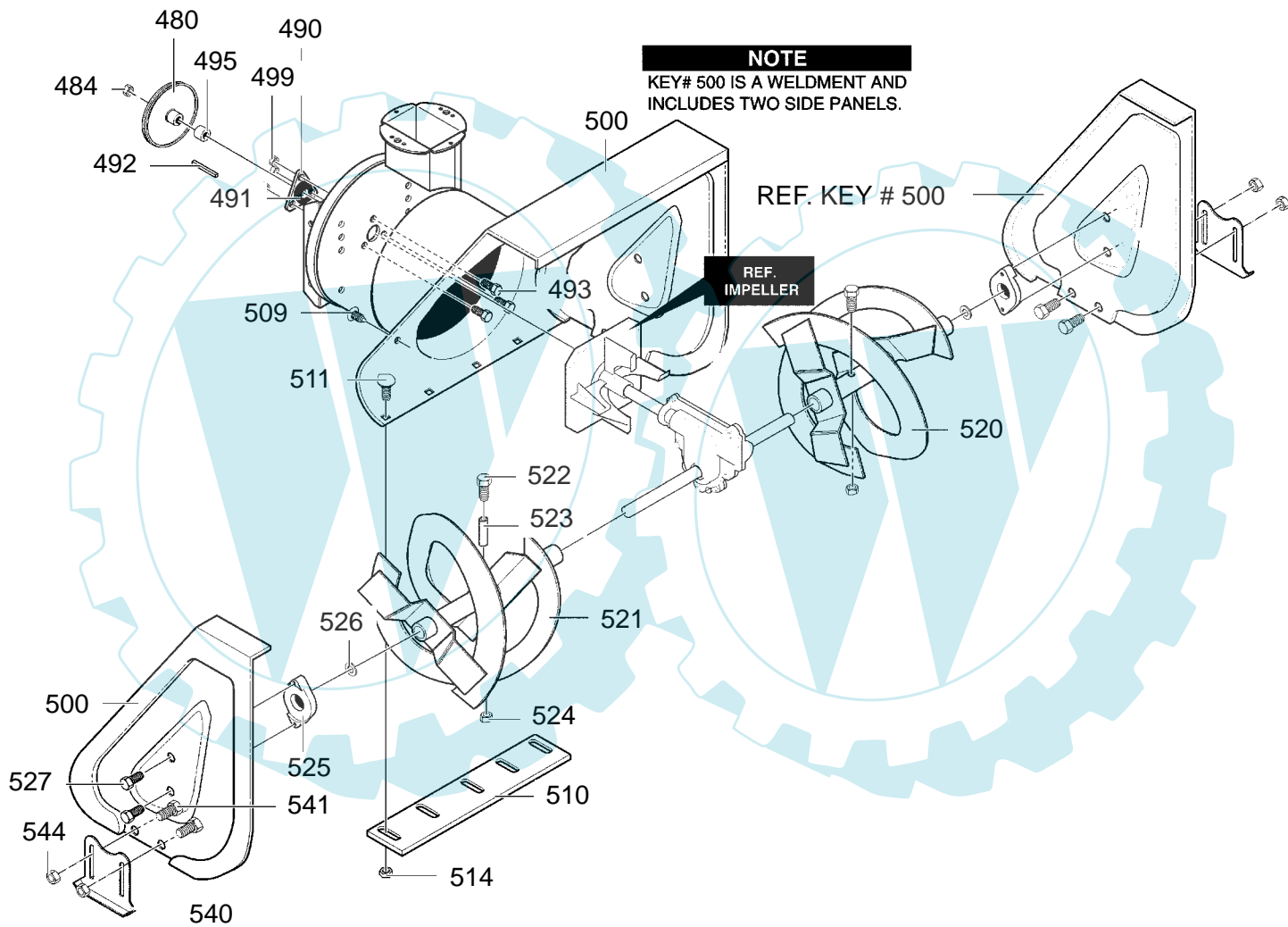
Key No.	Part No.	Description
200	1501092 YZ	LF AXLE, SWING PLATE YZ
201	579851	CHAIN, ROLLER #42x19.00
203	334163	BEARING AND RETAINER, ASSY
204	579858	WASHER
206	780055	SCREW, TAP 5/16-18x0.5
207	1501100	ASSY, HEX SHAFT
208	579868	CHAIN, ROLLER #36x18.00 LG
210	337029	BEARING, TRUNION CLUTCH R
212	1501435	WHEEL, FRICTION DISC
213	1X38	SCREW, 1/4-20 x 0.63
215	303008	NUT, KEPS HEX 1/4-20
217	579859	RING, RETEXT
218	579858	WASHER
220	334163	BEARING AND RETAINER, ASSY
221	780055	SCREW, TAP 5/16-18 x .5
223	1501115	ASSY, FRICTION PULLY
225	1501057 YZ	LF PLATE, SWINGING YZ
226	1501158	SPACER, FRICTION PULLEY
227	15X114	NUT, FLANGE LOCK 3/8-24
229	11X30	RETAINER, RING
230	1501107 YZ	LF ASSY, SPRING LINK YZ
232	11X30	RETAINER, RING
234	165X112	SPRING, EXTENSION
236	1501090	WLD, INTERMED SPROCKET 33T/7
238	71074	WASHER, FLAT





# MODEL 629108x61C

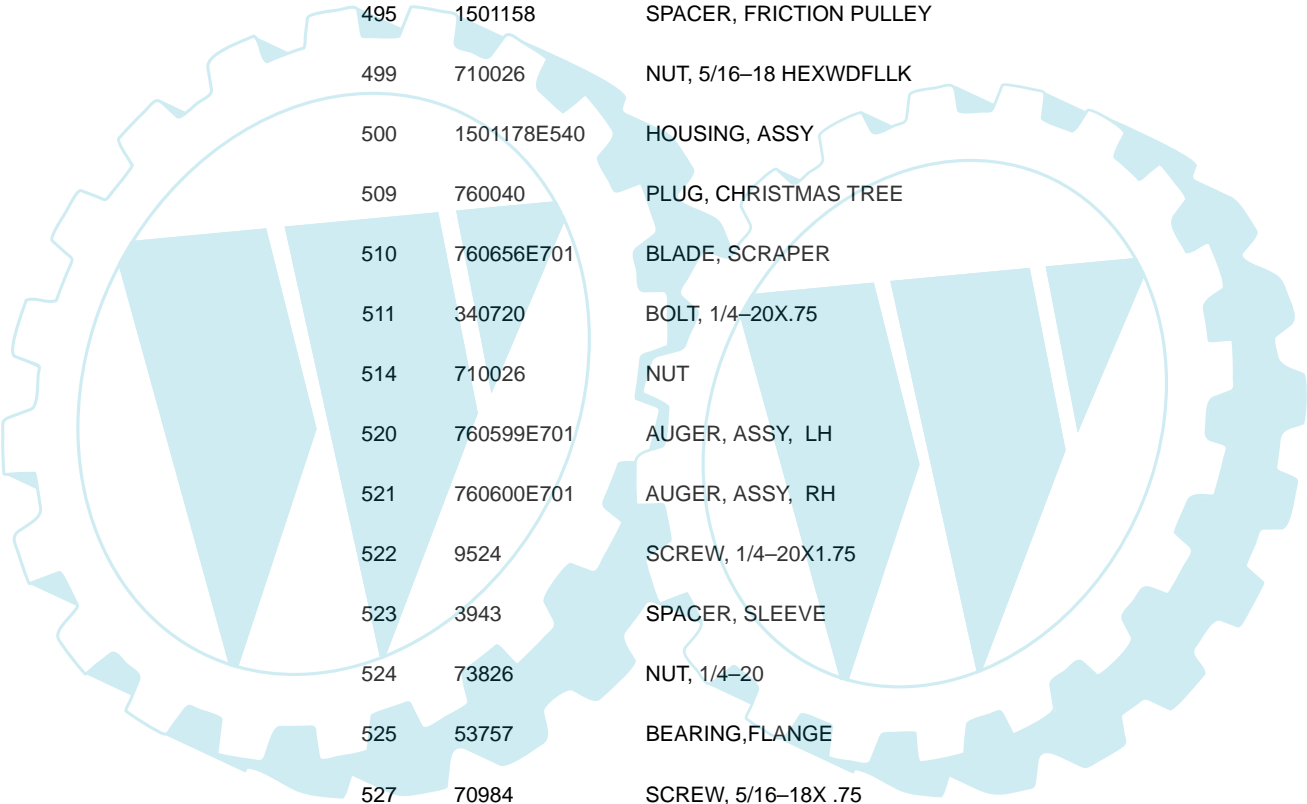
# REPAIR PARTS AUGER HOUSING



339973

# MODEL 629108x61C

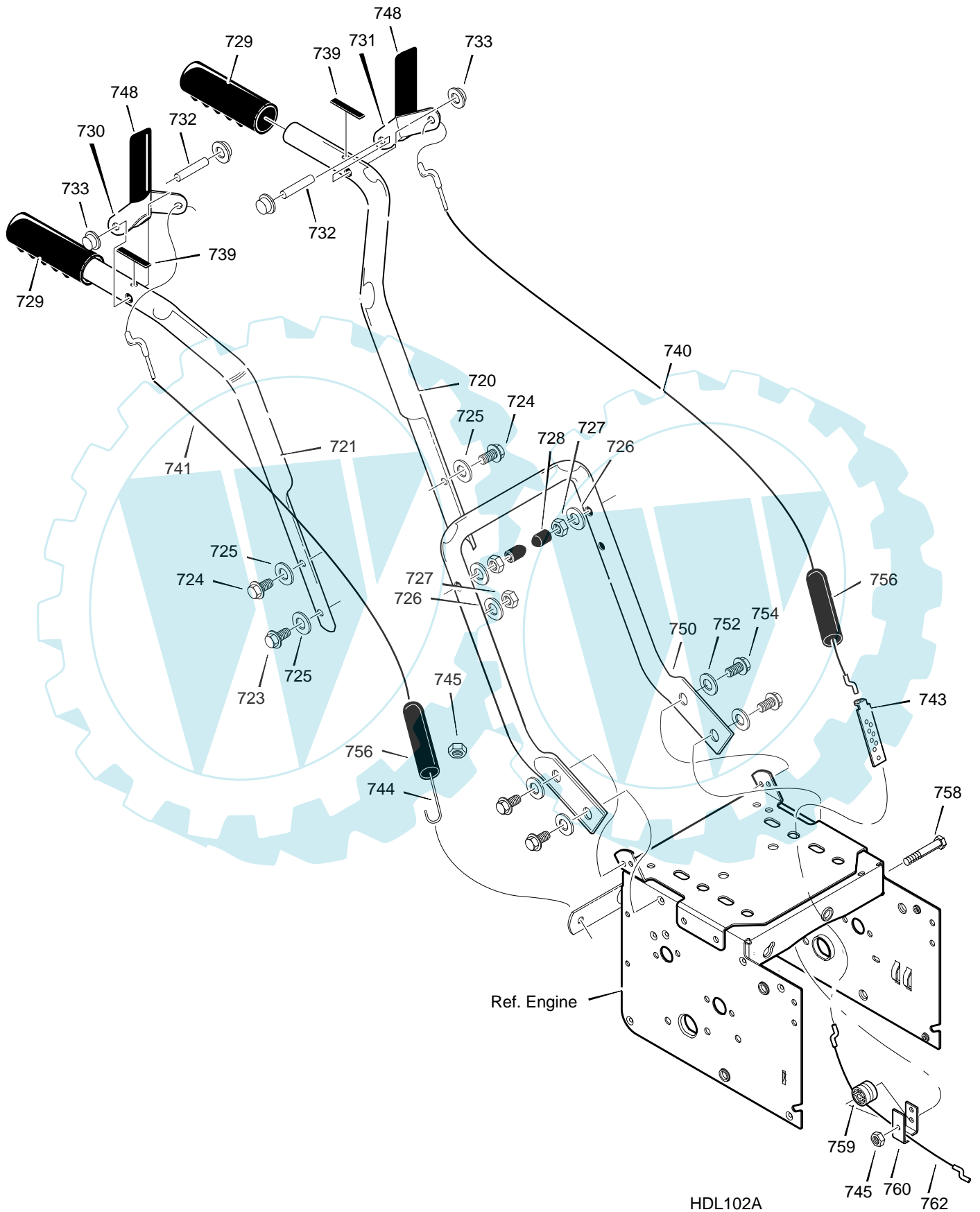
# REPAIR PARTS AUGER HOUSING



Key No.	Part No.	Description
480	583146	PULLEY
484	15X112	NUT, 1/4-20
490	582957 YZ	RETAINER, BALL BRNG
491	43846	BEARING, BALL
492	2001022	KEY, SQUARE
493	001X92	BOLT, HEX - 0.31-18X0.50
495	1501158	SPACER, FRICTION PULLEY
499	710026	NUT, 5/16-18 HEXWDFLLK
500	1501178E540	HOUSING, ASSY
509	760040	PLUG, CHRISTMAS TREE
510	760656E701	BLADE, SCRAPER
511	340720	BOLT, 1/4-20X.75
514	710026	NUT
520	760599E701	AUGER, ASSY, LH
521	760600E701	AUGER, ASSY, RH
522	9524	SCREW, 1/4-20X1.75
523	3943	SPACER, SLEEVE
524	73826	NUT, 1/4-20
525	53757	BEARING, FLANGE
527	70984	SCREW, 5/16-18X .75
540	762377E701	SKID, HEIGHT ADJUST
541	340720	BOLT, 5/16-18 X .75
544	710026	NUT, 5/16-18 REGHEX

# MODEL 629108x61C

# REPAIR PARTS HANDLE



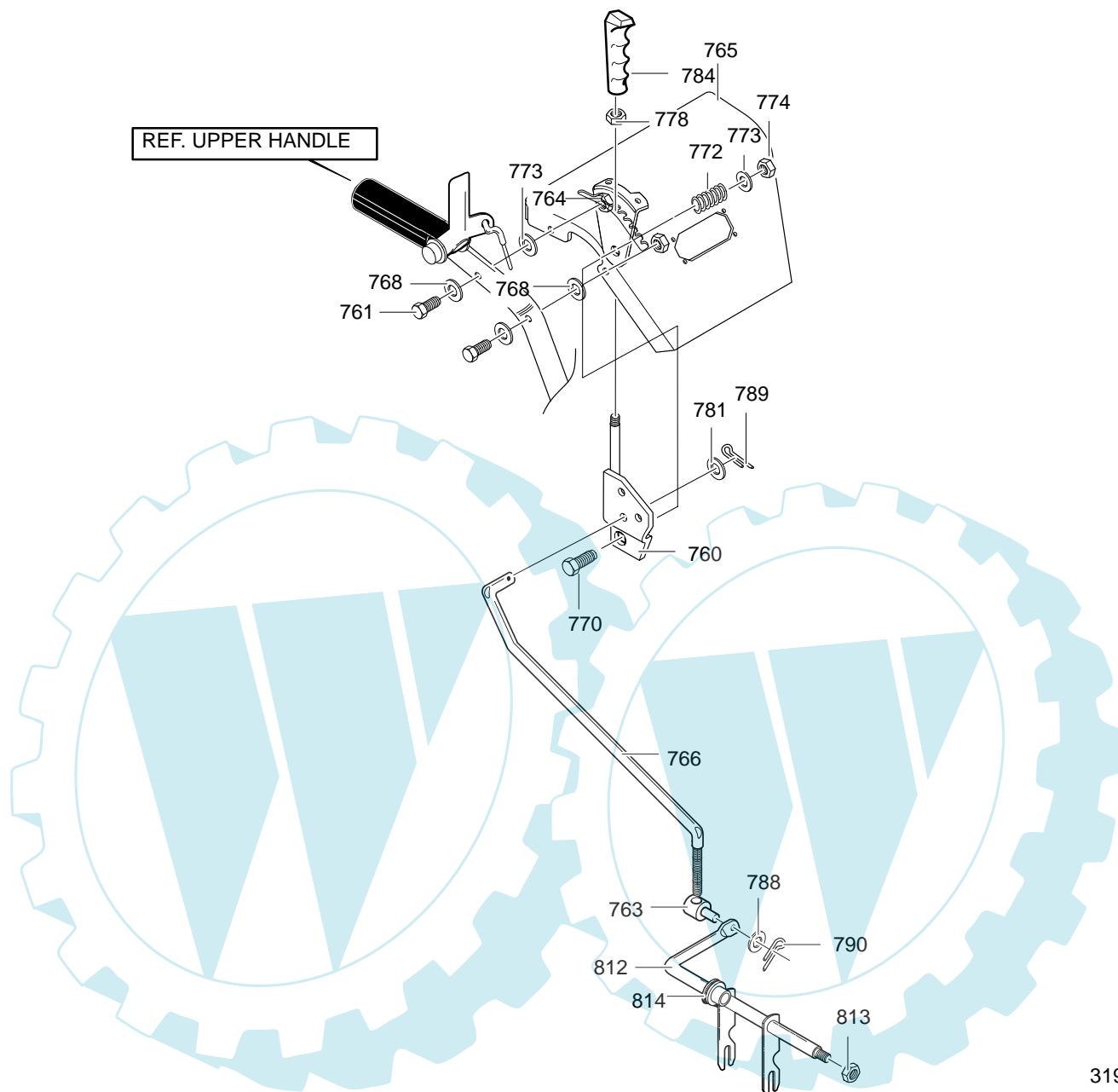
**MODEL 629108x61C**

**REPAIR PARTS  
HANDLE**

Key No.	Part No.	Description
720	5113E701	HANDLE, UPPER LH
721	5115E701	HANDLE, UPPER RH
723	71007	SCREW, 3/8-16 X 2.00
724	7288	SCREW, 3/8-16 X 3.00
725	71072	WASHER, FLAT
726	71062	WASHER
727	71044	NUT, 3/8-16 REGHEX
728	7289	STOP, PLASTIC
729	50792	GRIP-HANDLE FINGER
730	9729E701	LEVER, ASSY CLUTCH DRIVE RH
731	9732E701	LEVER, ASSY CLUTCH DRIVE LH
732	760074	PIN, PIVOT CLUTCH
733	3535	NUT, PUSH ON CAP
739	4049	BUMPER, RECTANGLE
740	1501124	CABLE, AUGER DRIVE
741	761590	CABLE, AUGER CLUTCH
743	313441	BRACKET, CABLE ADJUSTER
744	1673	SPRING, AUGER CLUTCH
745	15x145	NUT, 1/4-20
748	336626	GRIP
750	5543E701	HANDLE, LOWER
752	71060	WASHER, SPTLK
754	70984	SCREW, TAP 5/16-18 X 0.75
756	308146	BOOT, CABLE
758	01x193	BOLT, HEX 1/4-20 X 1.75 YZ
759	579860	SPOOL-CABLE, AUGRT CLUTCH
760	1501059 YZ	BRACKET, CABLE SPOOL YZ
762	1501122	CABLE, LOWER DRIVE 12"

MODEL 629108x61C

REPAIR PARTS  
CONTROL PANEL ASSEMBLY



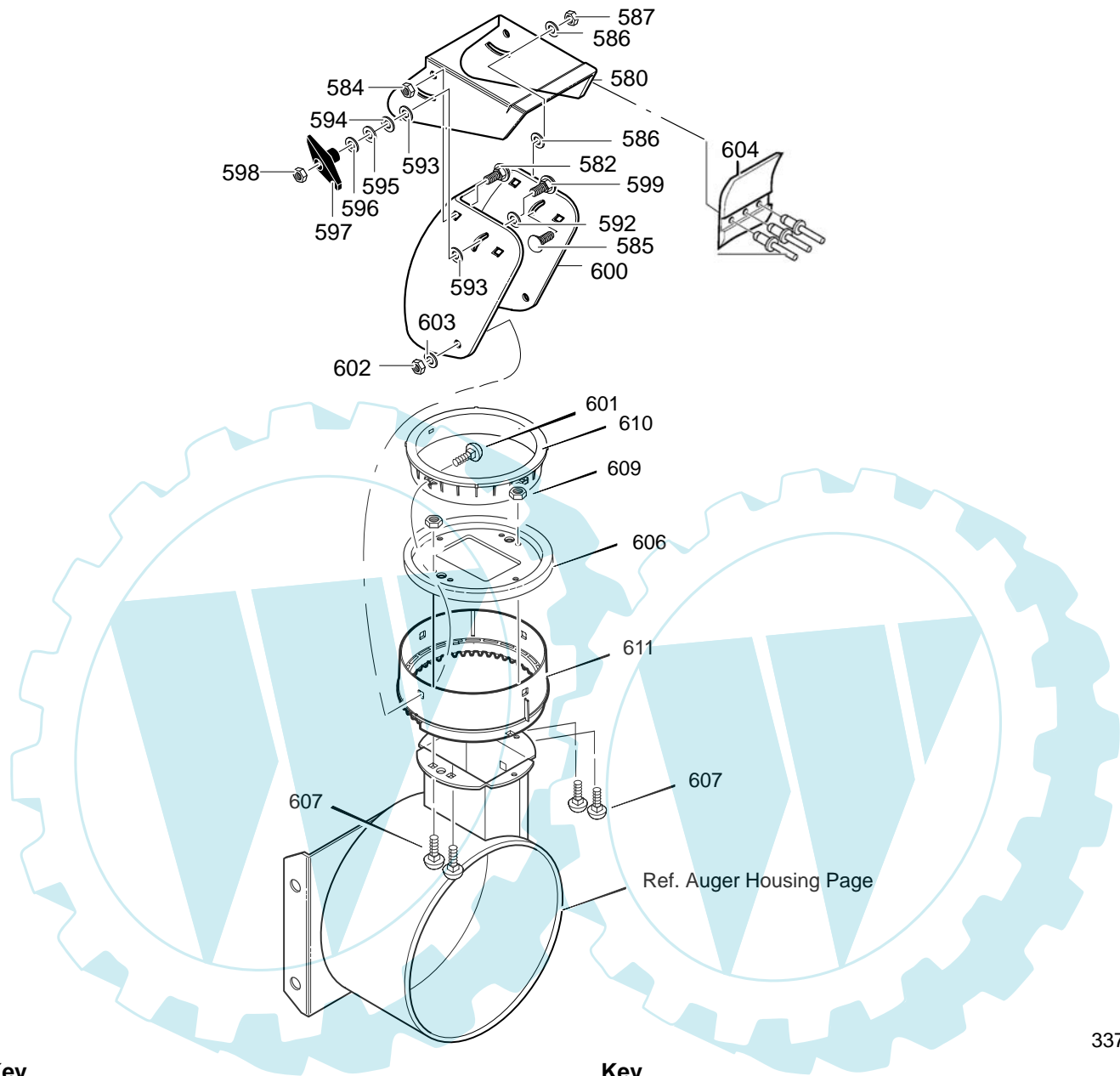
319052

Key No.	Part No.	Description
760	85030 YZ	HANDLE ASSY SPD CTRL
761	302900	SCREW, 5/16-18X1.75
763	584593	NUT, TRUNNION
764	710026	NUT, 5/16-18 HEXWDFLLK
765	1501414E540	ASSY. BAY LT
766	330635	ROD, SPEED CONTROL
770	71007	SCREW 3/8-16X2.00
772	50786	SPRING
773	71072	FLATWASHER
774	71046	NUT, 3/8-16 HEXNYL
778	71044	NUT, 3/8-16 REGHEX
781	71071	FLATWASHER

Key No.	Part No.	Description
784	306689	HANDLE 3/8-16
788	71071	FLATWASHER
789	71081	PIN, COTTER
790	71081	COTTER PIN
812	1501110 YZ	ROD, ASSY YOKE
813	11X30	RING, RETAINER
814	579944	BEARING, FLANGE

**MODEL 629108x61C**

**REPAIR PARTS  
DISCHARGE CHUTE ASSEMBLY**



337310

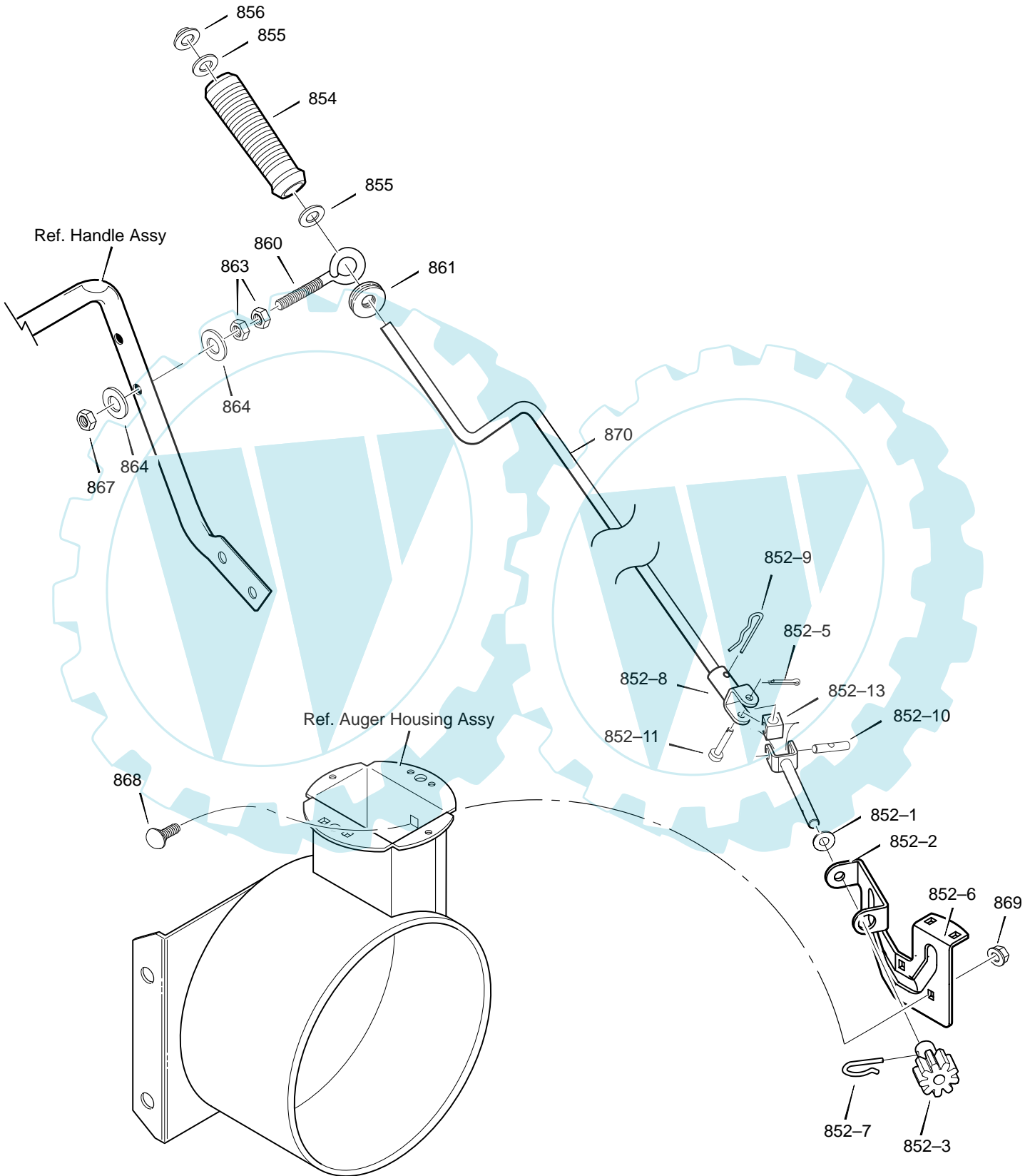
Key No.	Part No.	Description
580	761070E701	CHUTE, UPPER RH CONTROL
582	578088	SCREW
584	71038	LOCKNUT
585	578088	SCREW
586	6711	WASHER, PLASTIC
587	71038	LOCKNUT
592	12021	WASHER, PLASTIC
593	6711	WASHER, PLASTIC
594	71071	WASHER, FLAT
595	71060	WASHER
596	71071	WASHER, FLAT
597	57171	T-KNOB

Key No.	Part No.	Description
598	71037	HEXNUT
599	3316	BOLT
600	761328E701	ASSEMBLY, CHUTE
601	2x100	BOLT
602	71038	LOCKNUT
603	71071	WASHER, FLAT
604	762322	FLAP, CHUTE INSERT
606	585214 YZ	COLLAR
607	340714	SCREW
609	780029	LOCKNUT
610	337227	RETAINER RING, INNER
611	1501282	RETAINER RING, OUTER

Ref. Auger Housing Page

# MODEL 629108x61C

# REPAIR PARTS CHUTE ROD



CROD101B

**MODEL 629108x61C**

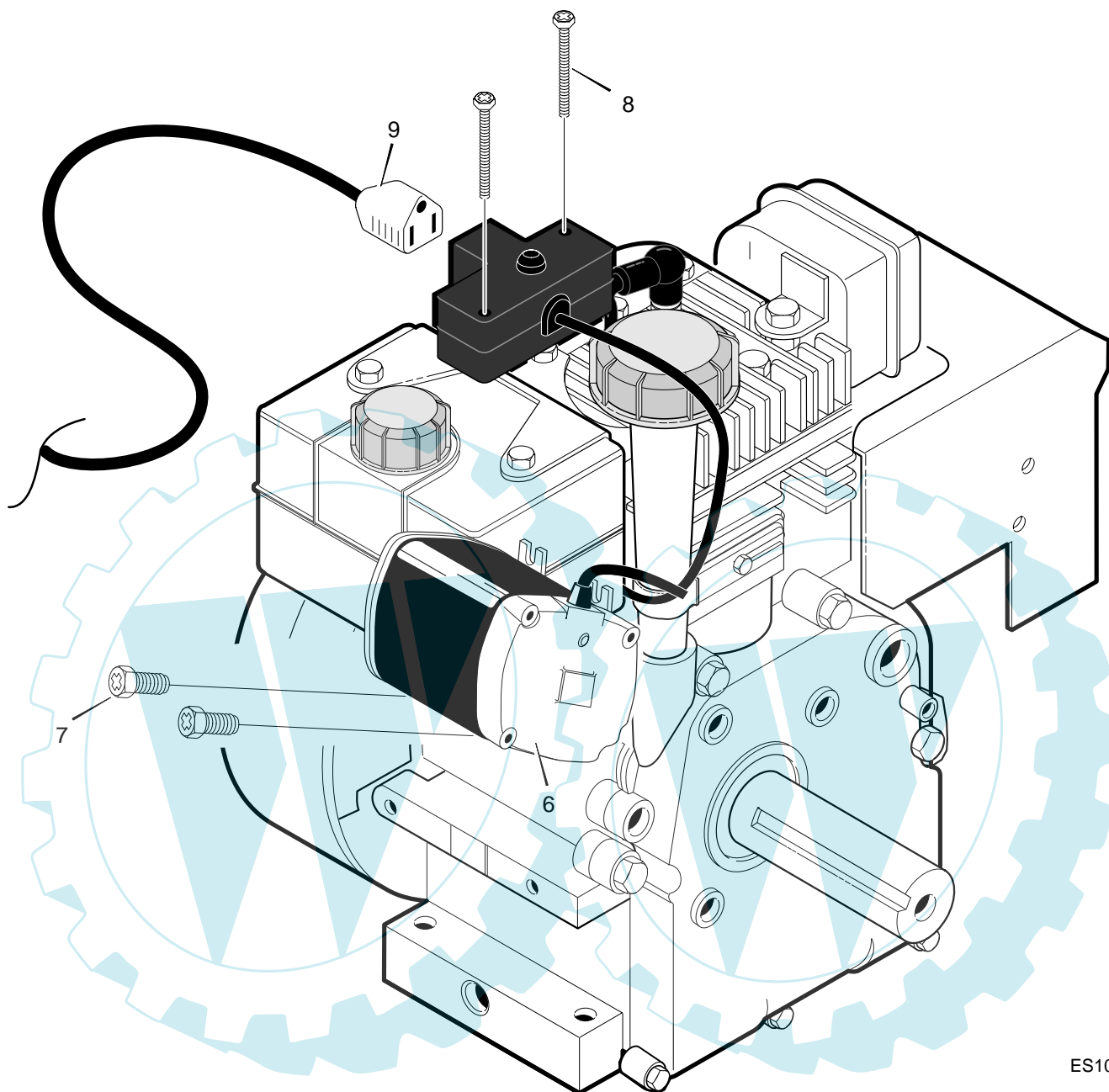
**REPAIR PARTS  
CHUTE ROD**

Key No.	Part No.	Description
852-1	1501309 YZ	ASSEMBLY, YOKE & ROD
852-2	313431	WASHER, CURVED SPRING
852-3	1501067	GEAR, CHUTE ROTATION 9T
852-5	71082	PIN, COTTER
852-6	1501306E701	BRACKET, GEAR MOUNT
852-7	1501293	PIN, HAIR
852-8	1501075 YZ	ASSEMBLY, YOKE ADAPTER YZ
852-9	711682	PIN, HAIR
852-10	578060	PIN, UNIVERSAL JOINT
852-11	578309	PIN, CLEVIS
852-13	578063	HOUSING, UNIVERSAL
854	307399	KNOB, SLEEVE
855	309312	FLATWASHER
856	73664	NUT, PUSH ON 3/8"
860	581618	EYE BOLT 3/8-16X6.00
861	148	GROMMET, EYE BOLT
863	71045	NUT, 3/8-16 HEXJAM
864	71072	FLATWASHER .406X.81X.066
867	71046	NUT, 3/8-16 HEXNYL
868	2X98	BOLT, CARRIAGE 1/4-20 X 1.00
869	15x145	NUT
870	1501074 YZ	CRANK, ASSY CHUTE



# MODEL 629108x61C

# REPAIR PARTS ELECTRIC START ASSEMBLY

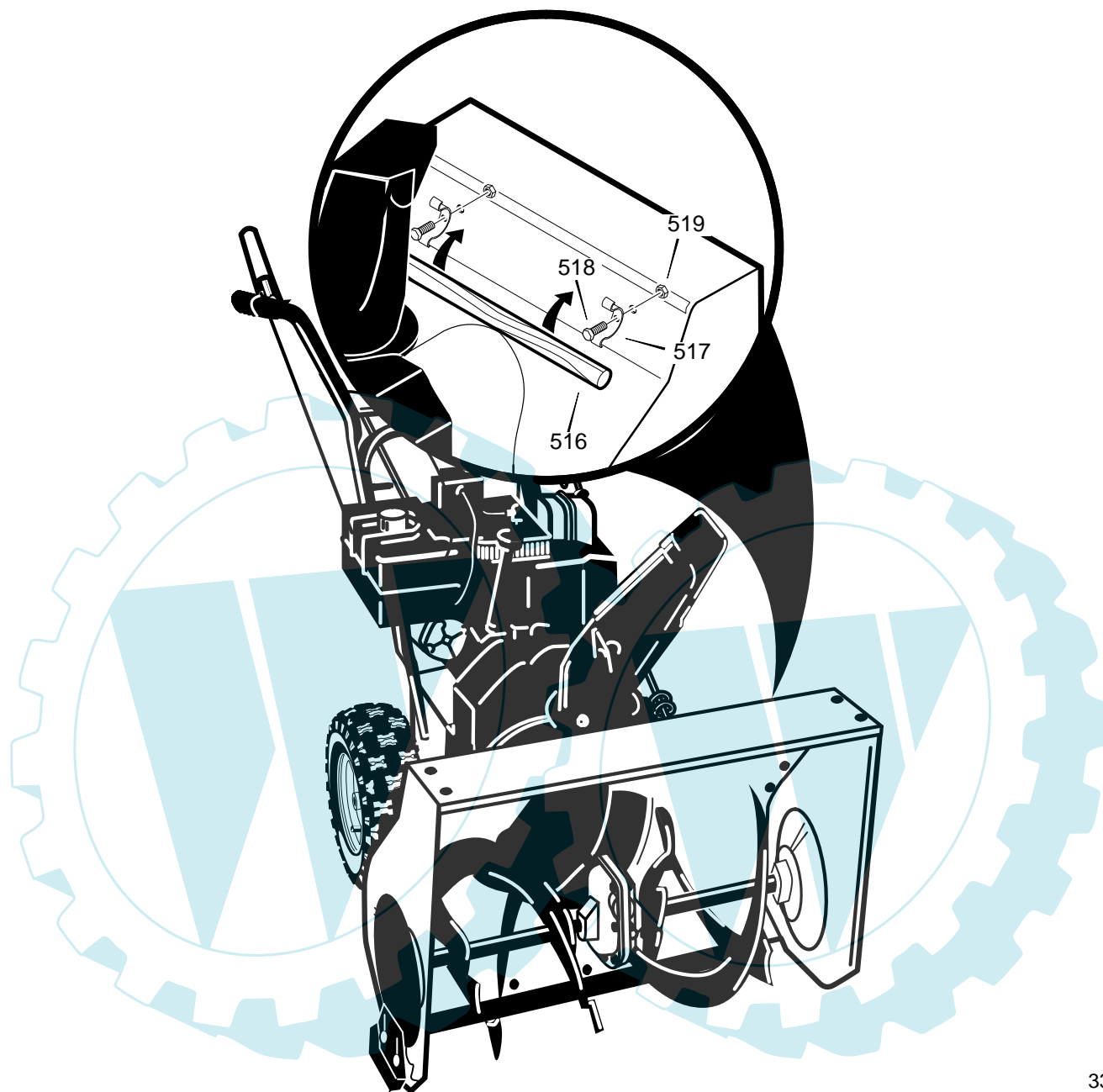


ES100A

Key No.	Part No.	Description
6	761290	MOTOR, STARTER
7	6216	SCREW
8	6217	SCREW
9	761332	CORD, STARTER

MODEL 629108x61C

REPAIR PARTS  
CLEAR STICK



335096

Key No.	Part No.	Description
516	304361	STICK, CLEARING
517	304362	CLIP, RETAINING
518	71031	SCREW
519	334538	NUT
		103