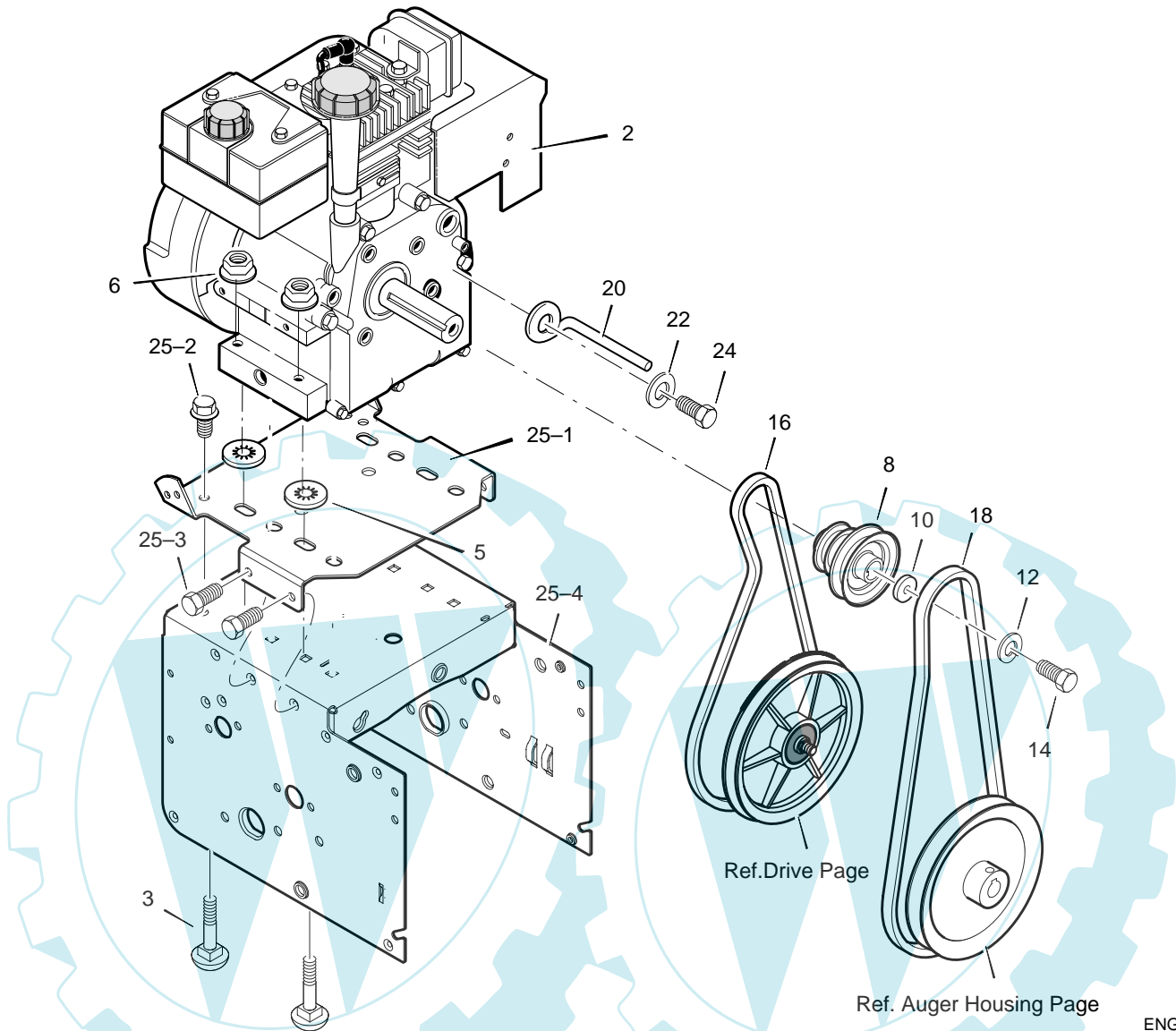


MODEL 627809x54C

REPAIR PARTS
ENGINE

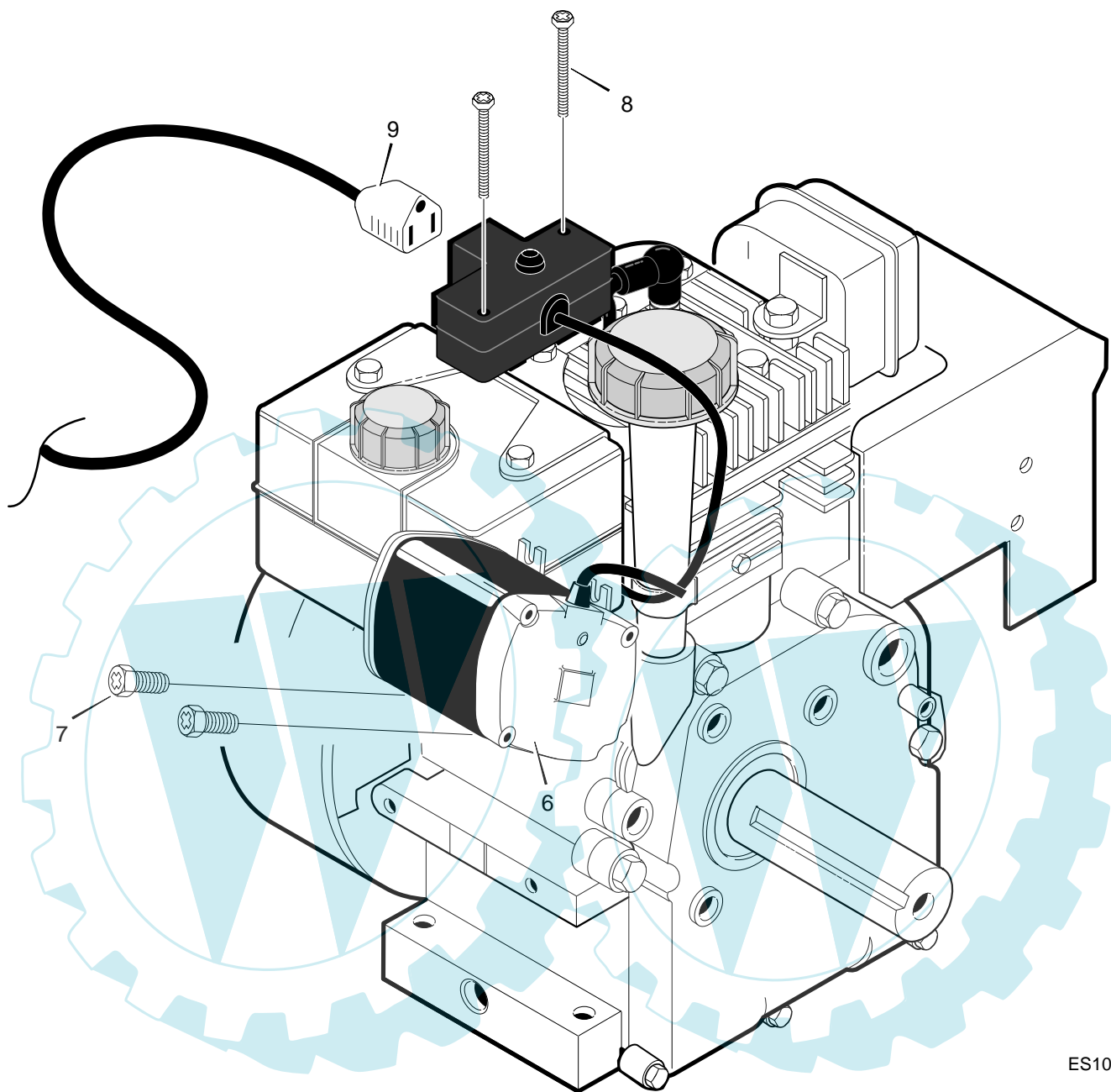


ENG100A

Key No.	Part No.	Description
2	-----	ENGINE
3	2x97	BOLT, CARRIAGE 5/16-18
5	28x76	RETAINER, PUSH
6	710026	NUT, HEXWDFLLK 5/16-18
8	1501109	PULLEY, ENGINE
10	710247	WASHER
12	71063	WASHER, 0.38ID
14	71015	SCREW, 3/8-24X1.00
16	579932	BELT, V 3L 33.13LG
18	585416	BELT, V 4L 38.1MF16" 5-10
20	1501201	GUIDE, BELT
22	71060	WASHER, SPTLK .31X.58X.08
24	710097	SCREW, 5/16-24X .75
25	-----	FRAME ASSEMBLY
25-1	1501062E245	PLATE, ENGINE MOUNT
25-2	310169	SCREW, TAP 1/4-20 X .63
25-3	780055	SCREW, TAP 5/16-18 X .50
25-4	1501049E245	FRAME, MOTOR BOX
—	F-021022L	OWNER'S MANUAL

MODEL 627809x54C

REPAIR PARTS
ELECTRIC START ASSEMBLY

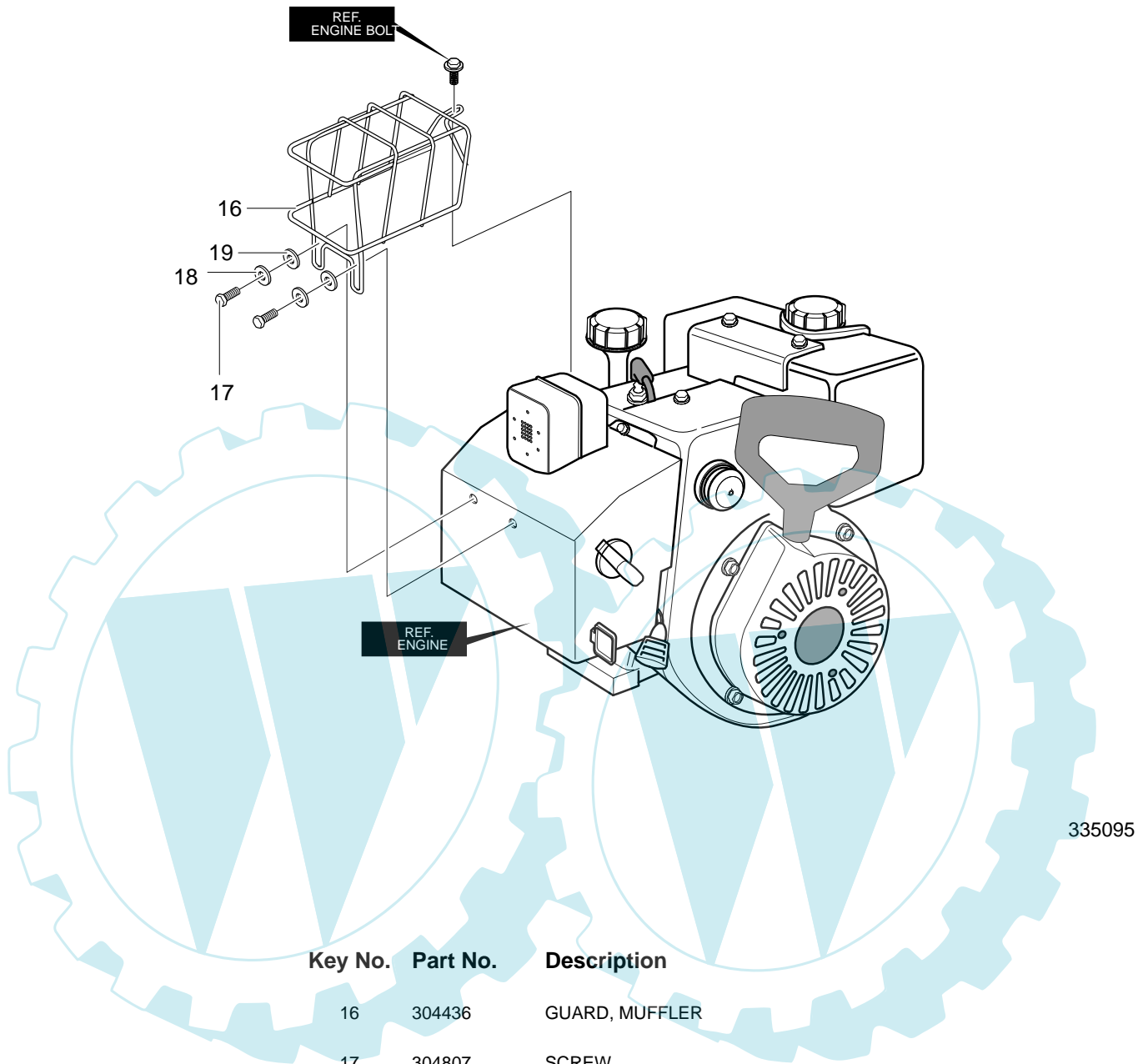


ES100A

Key No.	Part No.	Description
6	761290	MOTOR, STARTER
7	6216	SCREW
8	6217	SCREW
9	761332	CORD, STARTER

MODEL 627809x54C

REPAIR PARTS MUFFLER GUARD

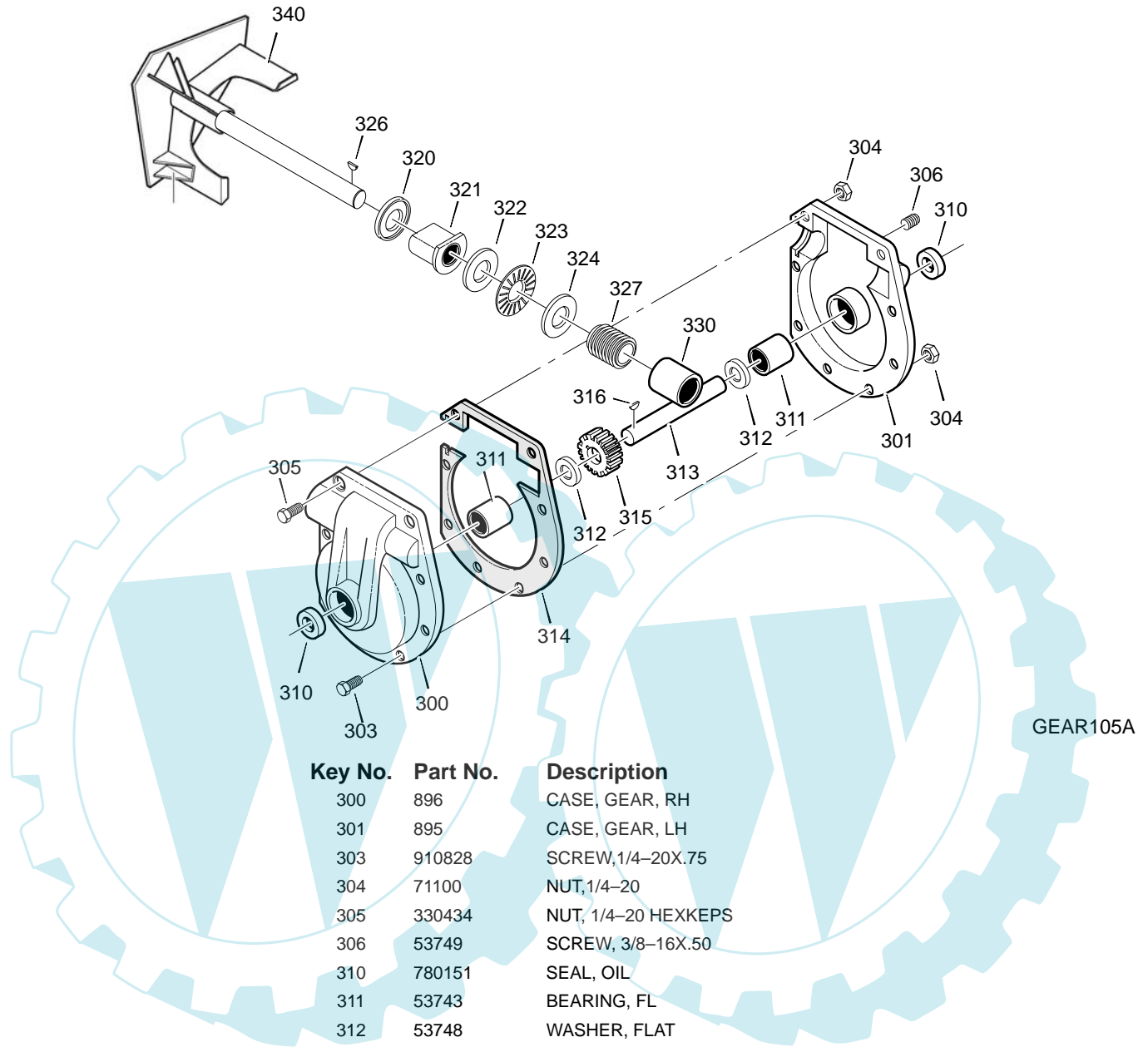


335095

Key No.	Part No.	Description
16	304436	GUARD, MUFFLER
17	304807	SCREW
18	304810	WASHER
19	304809	WASHER

MODEL 627809x54C

REPAIR PARTS
GEAR CASE

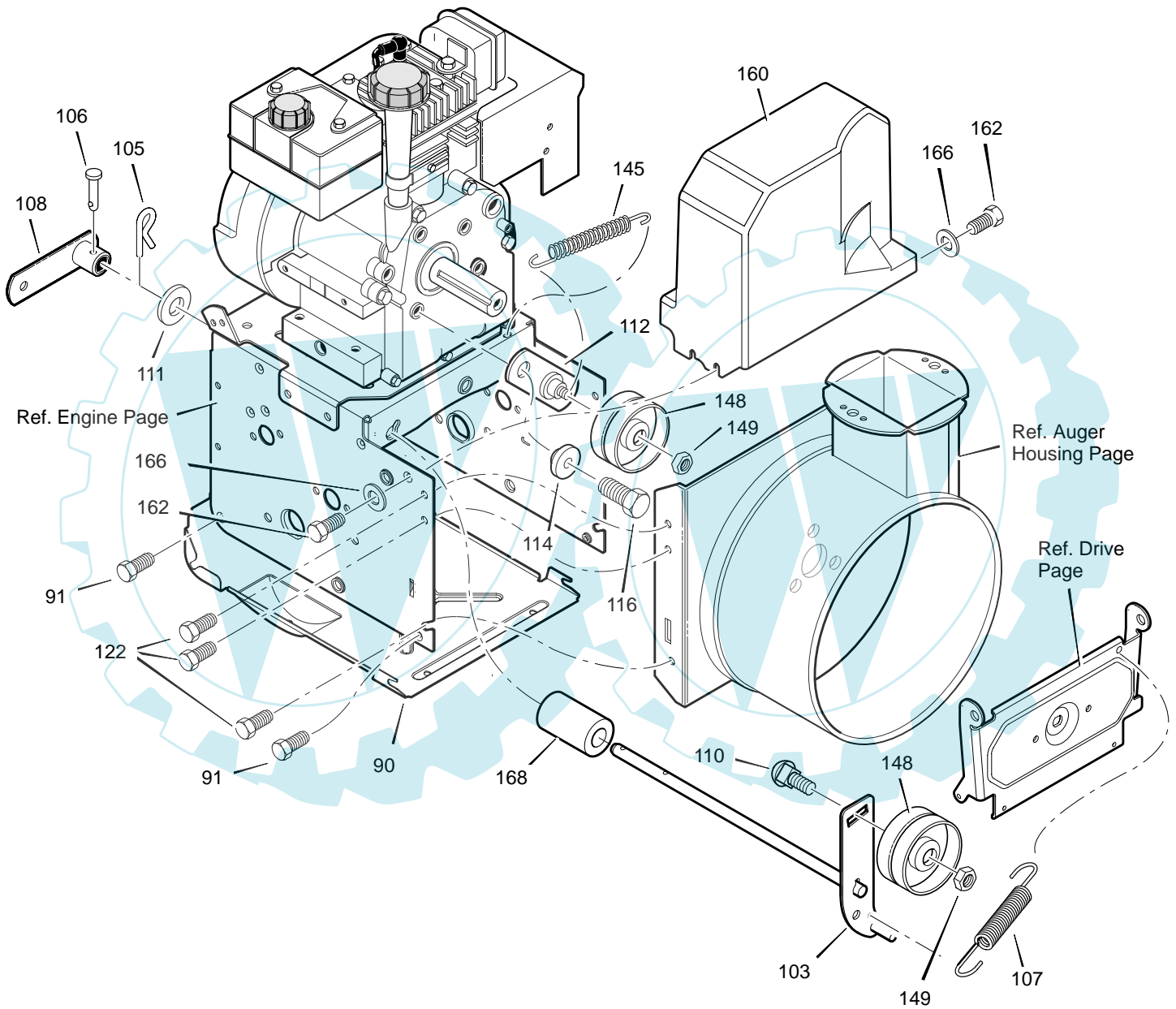


Key No.	Part No.	Description
300	896	CASE, GEAR, RH
301	895	CASE, GEAR, LH
303	910828	SCREW, 1/4-20X.75
304	71100	NUT, 1/4-20
305	330434	NUT, 1/4-20 HEXKEPS
306	53749	SCREW, 3/8-16X.50
310	780151	SEAL, OIL
311	53743	BEARING, FL
312	53748	WASHER, FLAT
313	760529	SHAFT, AUGER OUTPUT
314	897	GASKET, GEAR BOX
315	53730	WORM GEAR
316	73905	KEY, WOODRUFF #61
320	53737	BRNG, FL
321	583126	SHAFT, AUGER INPUT
322	48275	COLLAR, THRUST
323	50684	PIN, SPRING
324	48275	WASHER, FLAT
326	50795	BRNG, FL
327	53732	SEAL, OIL
330	53731	BEARING
340	1501147E717	IMPELLER
—	333431	10oz TUBE LUBRIPLATE

* (NOT ILLUSTRATED)

MODEL 627809x54C

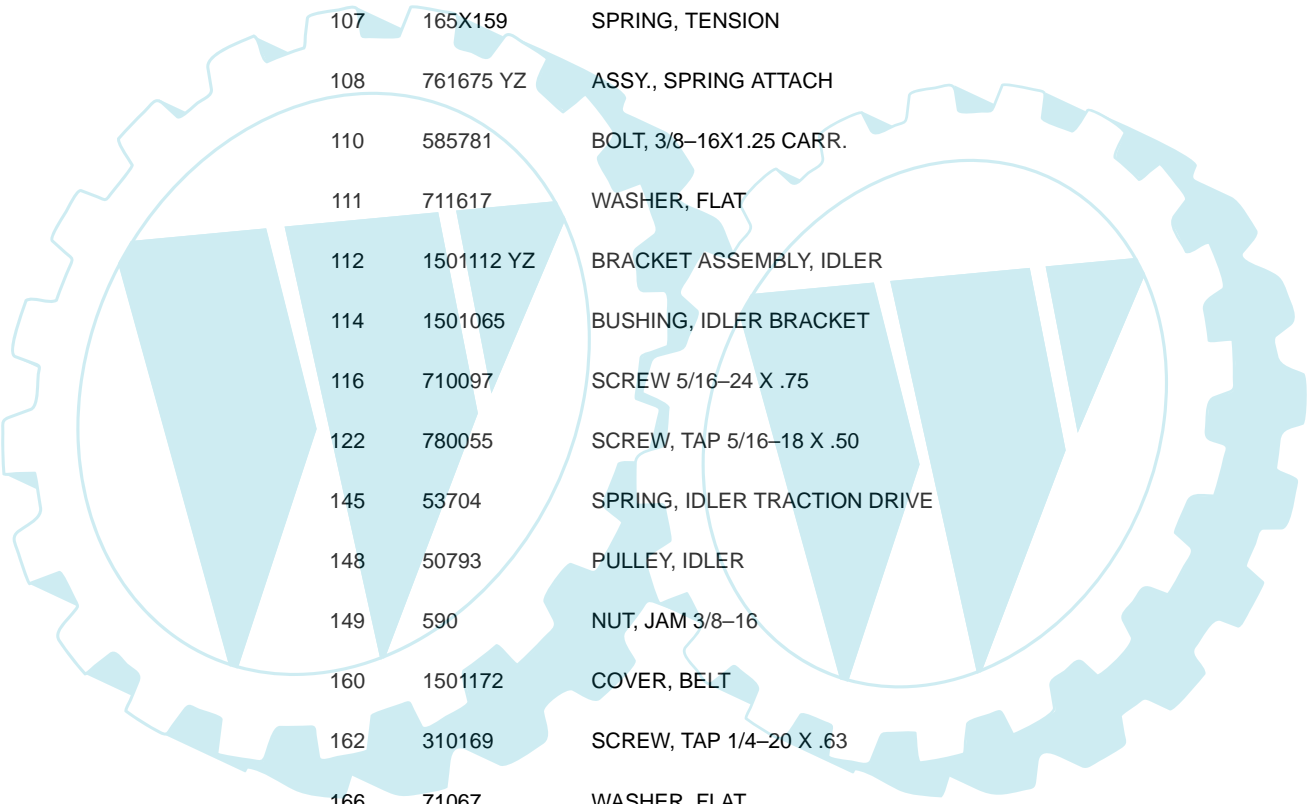
REPAIR PARTS
FRAME



FRA100A

MODEL 627809x54C

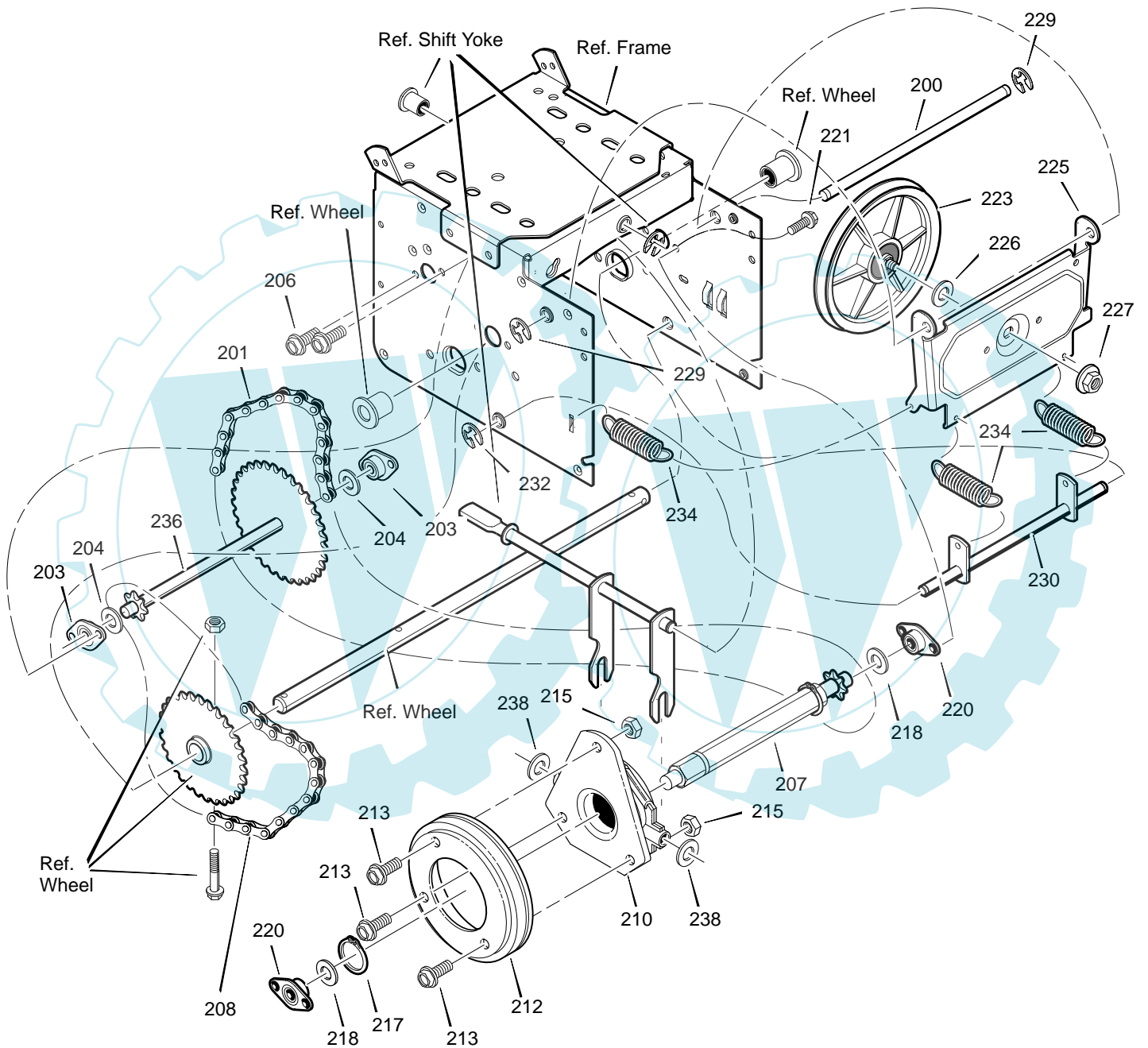
REPAIR PARTS FRAME



Key No.	Part No.	Description
90	1501055E717	COVER, BOTTOM
91	310169	SCREW, 1/4-20X .63
103	1501226 YZ	IDLER ASSEMBLY, AUGER
105	711682	PIN, HAIR .38DIAx1.64LG
106	761761	PIN, KLIK 3/16" DIA
107	165X159	SPRING, TENSION
108	761675 YZ	ASSY., SPRING ATTACH
110	585781	BOLT, 3/8-16X1.25 CARR.
111	711617	WASHER, FLAT
112	1501112 YZ	BRACKET ASSEMBLY, IDLER
114	1501065	BUSHING, IDLER BRACKET
116	710097	SCREW 5/16-24 X .75
122	780055	SCREW, TAP 5/16-18 X .50
145	53704	SPRING, IDLER TRACTION DRIVE
148	50793	PULLEY, IDLER
149	590	NUT, JAM 3/8-16
160	1501172	COVER, BELT
162	310169	SCREW, TAP 1/4-20 X .63
166	71067	WASHER, FLAT
168	1501200	SPACER, AUGER BRACKET

MODEL 627809x54C

REPAIR PARTS
DRIVE



DR100A

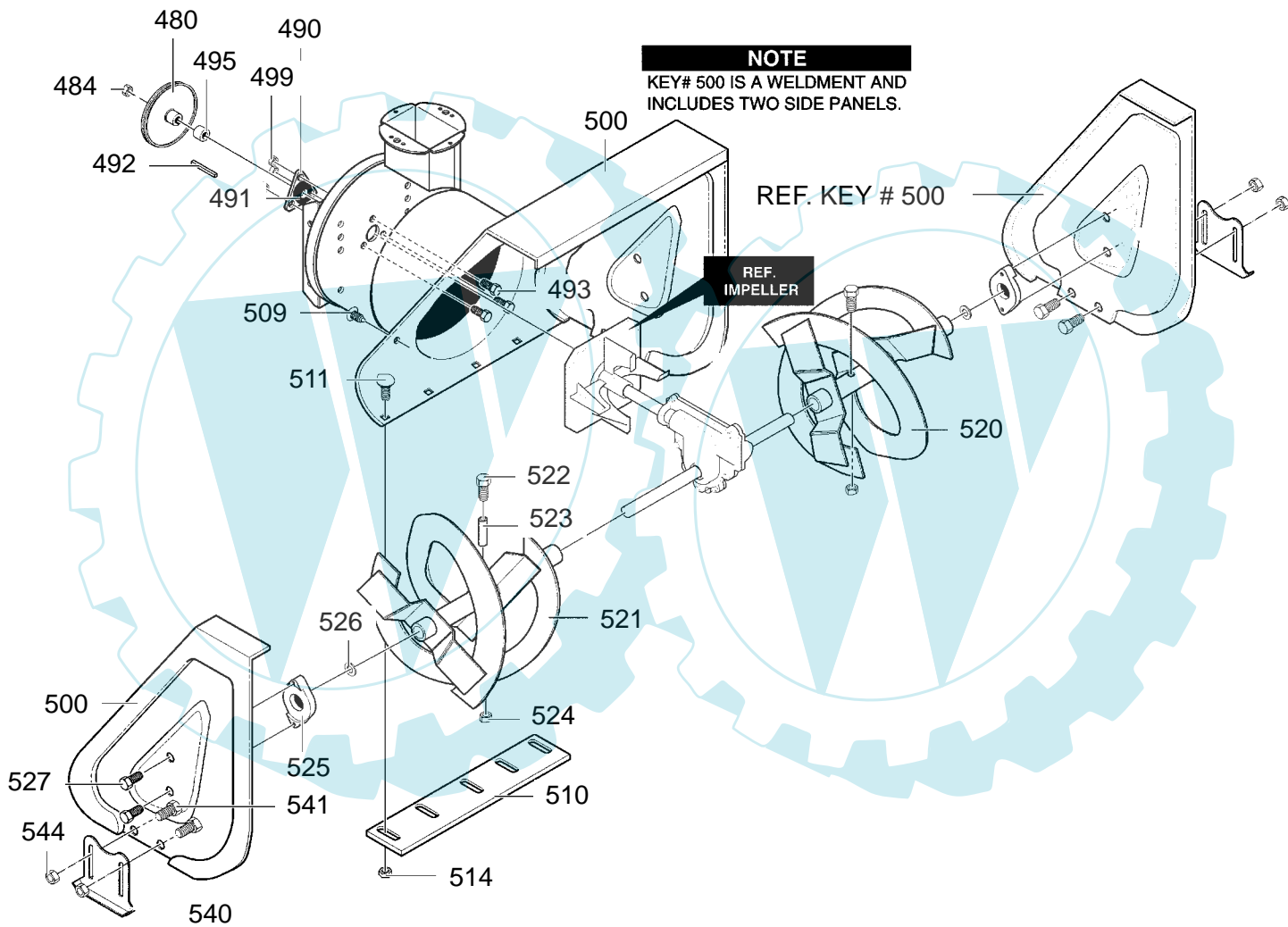
MODEL 627809x54C

**REPAIR PARTS
DRIVE**

Key No.	Part No.	Description
200	1501092 YZ	LF AXLE, SWING PLATE YZ
201	579851	CHAIN, ROLLER #42x19.00 LG
203	334163	BEARING AND RETAINER, ASSY
204	579858	WASHER
206	780055	SCREW, TAP 5/16-18x0.5
207	1501100	ASSY, HEX SHAFT
208	579868	CHAIN, ROLLER #36x18.00 LG
210	337029	BEARING, TRUNION CLUTCH R
212	1501435	WHEEL, FRICTION DISC
213	1X38	SCREW, 1/4-20 x 0.63
215	303008	NUT, KEPS HEX 1/4-20
217	579859	RING, RETEXT
218	579858	WASHER
220	334163	BEARING AND RETAINER, ASSY
221	780055	SCREW, TAP 5/16-18 x .5
223	1501115	ASSY, FRICTION PULLY
225	1501057 YZ	LF PLATE, SWINGING YZ
226	1501158	SPACER, FRICTION PULLEY
227	15X114	NUT, FLANGE LOCK 3/8-24
229	11X30	RETAINER, RING
230	1501107 YZ	LF ASSY, SPRING LINK YZ
232	11X30	RETAINER, RING
234	165X112	SPRING, EXTENSION
236	1501090	WLD, INTERMED SPROCKET 33T/7
238	71074	WASHER, FLAT

MODEL 627809x54C

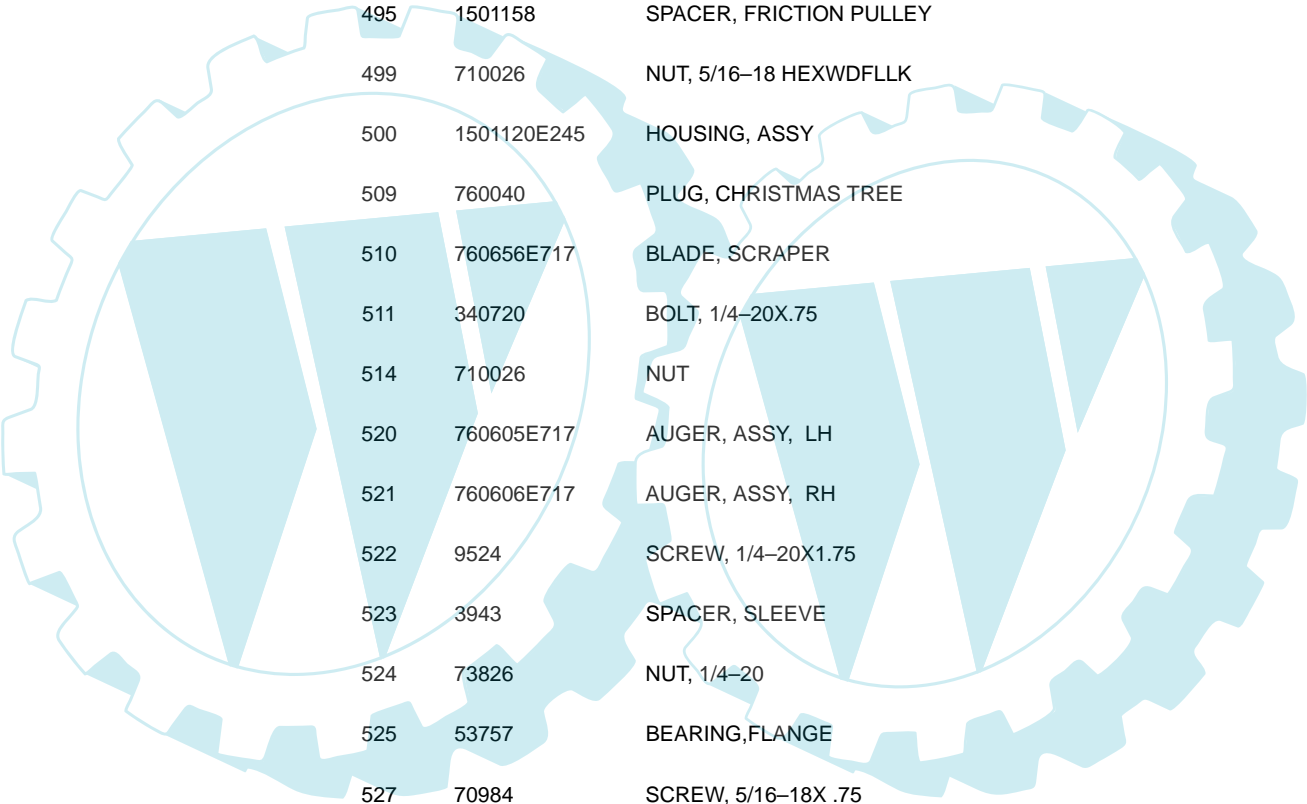
REPAIR PARTS AUGER HOUSING



339973

MODEL 627809x54C

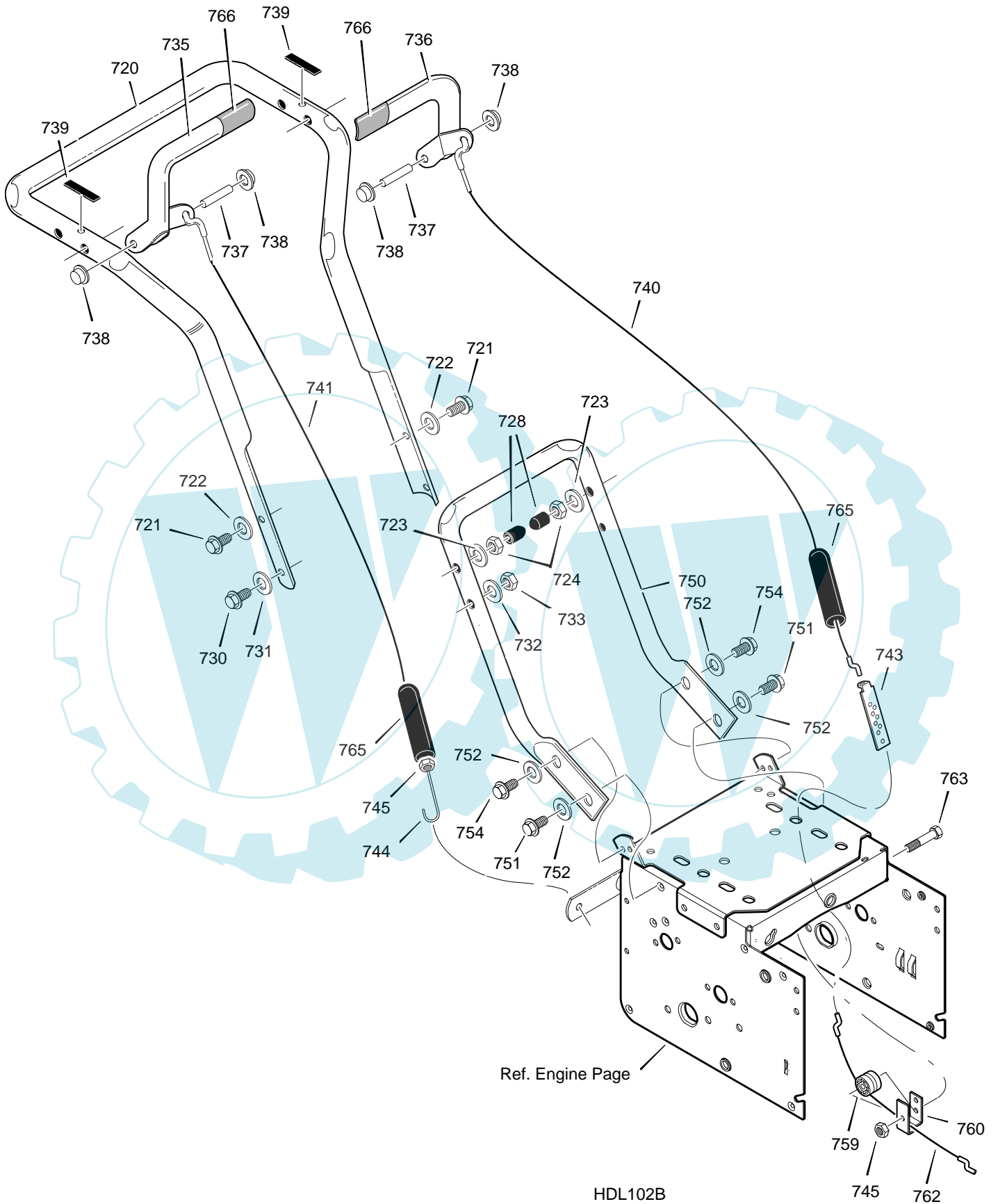
REPAIR PARTS AUGER HOUSING



Key No.	Part No.	Description
480	583146	PULLEY
484	15X112	NUT, 1/2-20
490	582957 YZ	RETAINER, BALL BRNG
491	43846	BEARING, BALL
492	2001022	KEY, SQUARE
493	001X92	BOLT, HEX - 0.31-18X0.50
495	1501158	SPACER, FRICTION PULLEY
499	710026	NUT, 5/16-18 HEXWDFLLK
500	1501120E245	HOUSING, ASSY
509	760040	PLUG, CHRISTMAS TREE
510	760656E717	BLADE, SCRAPER
511	340720	BOLT, 1/4-20X.75
514	710026	NUT
520	760605E717	AUGER, ASSY, LH
521	760606E717	AUGER, ASSY, RH
522	9524	SCREW, 1/4-20X1.75
523	3943	SPACER, SLEEVE
524	73826	NUT, 1/4-20
525	53757	BEARING, FLANGE
527	70984	SCREW, 5/16-18X .75
540	762379E717	SKID, HEIGHT ADJUST
541	340720	BOLT, 5/16-18 X .75
544	710026	NUT, 5/16-18 REGHEX

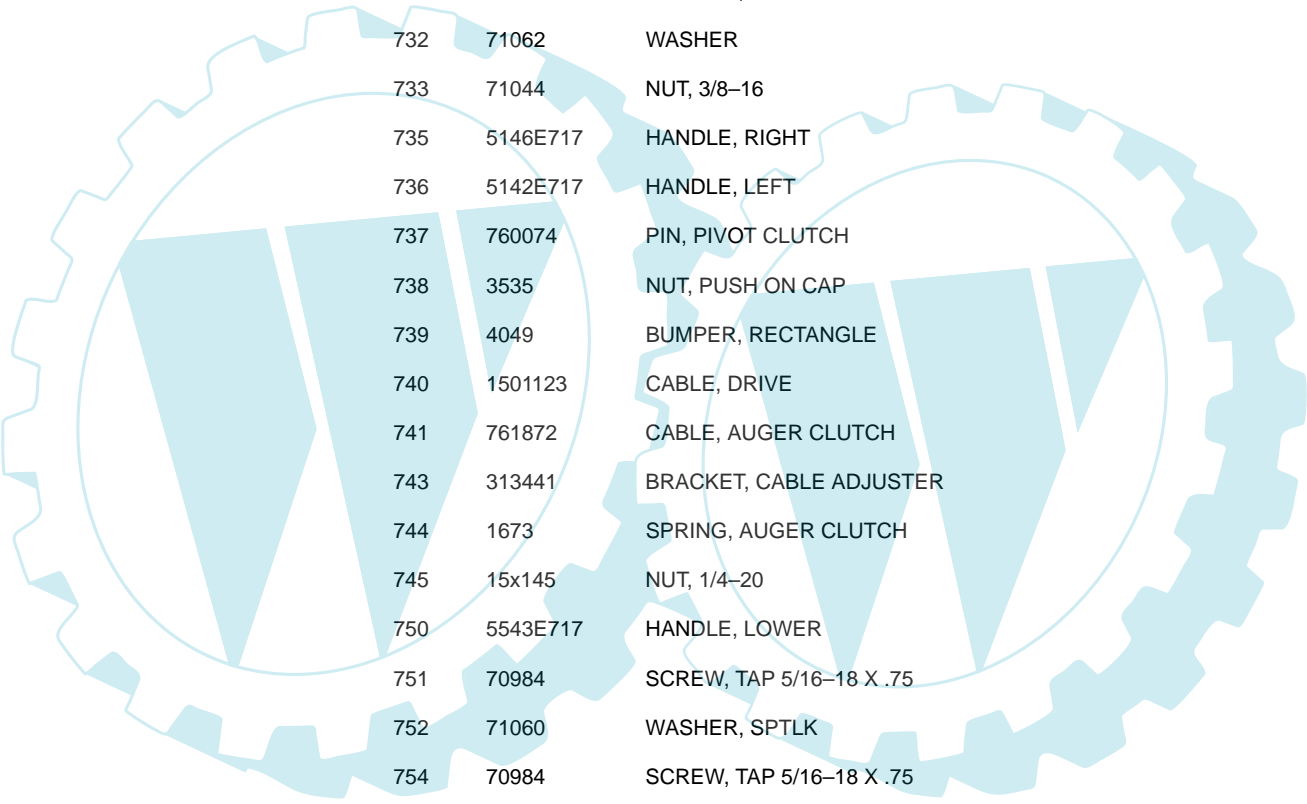
MODEL 627809x54C

REPAIR PARTS HANDLE



MODEL 627809x54C

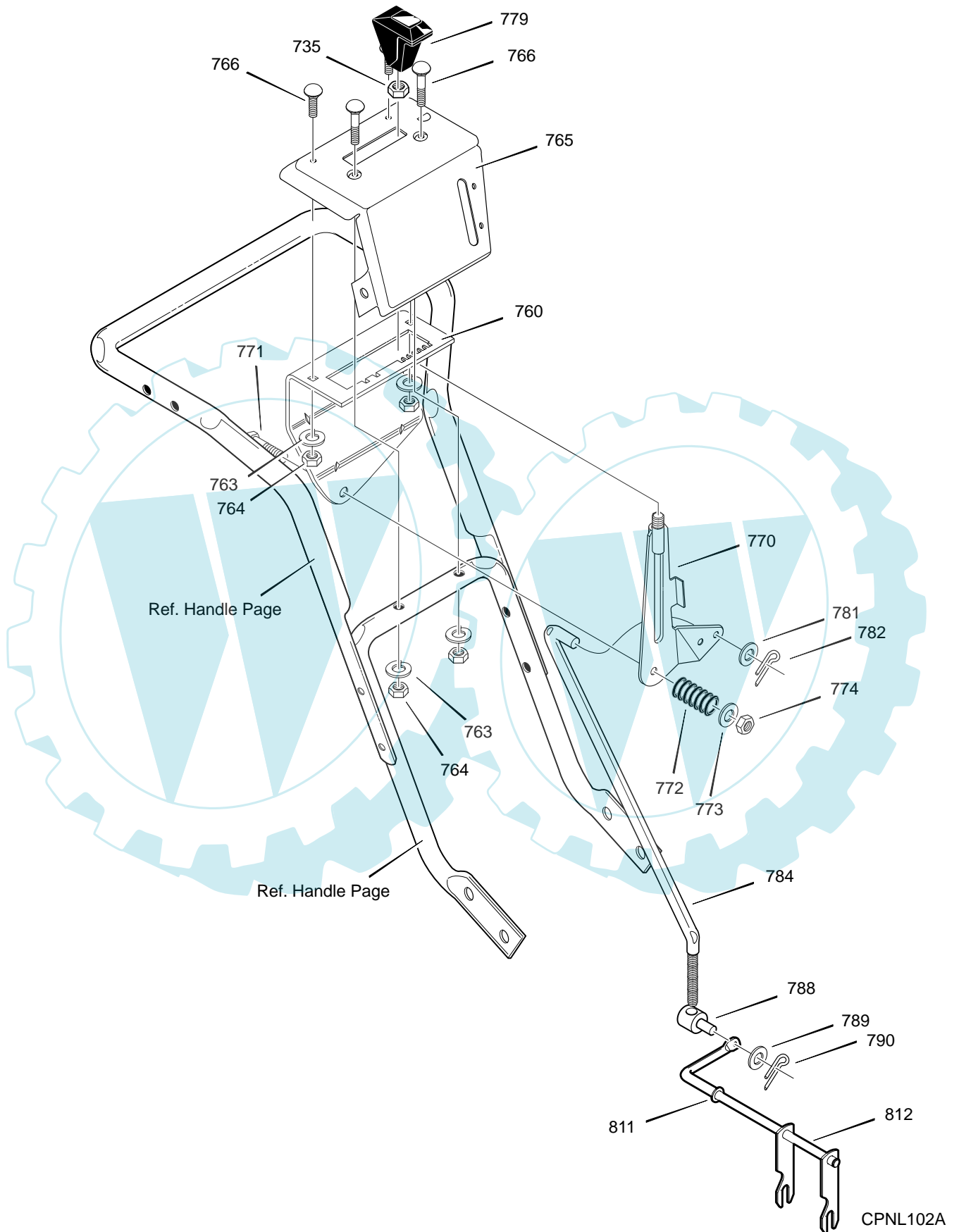
**REPAIR PARTS
HANDLE**



Key No.	Part No.	Description
720	310614E717	HANDLE, UPPER
721	7288	SCREW, 3/8-16 X 3
722	71072	WASHER, FLAT
723	71062	WASHER
724	71044	NUT, 3/8-16
728	7289	STOP, PLASTIC
730	71007	SCREW, 3/8-16 X 2
731	71072	WASHER, FLAT
732	71062	WASHER
733	71044	NUT, 3/8-16
735	5146E717	HANDLE, RIGHT
736	5142E717	HANDLE, LEFT
737	760074	PIN, PIVOT CLUTCH
738	3535	NUT, PUSH ON CAP
739	4049	BUMPER, RECTANGLE
740	1501123	CABLE, DRIVE
741	761872	CABLE, AUGER CLUTCH
743	313441	BRACKET, CABLE ADJUSTER
744	1673	SPRING, AUGER CLUTCH
745	15x145	NUT, 1/4-20
750	5543E717	HANDLE, LOWER
751	70984	SCREW, TAP 5/16-18 X .75
752	71060	WASHER, SPTLK
754	70984	SCREW, TAP 5/16-18 X .75
759	579860	SPOOL-CABLE, AUGRT CLUTCH
760	1501059 YZ	BRACKET, CABLE SPOOL YZ
762	1501122	CABLE, LOWER DRIVE 12"
763	001798	BOLT, HEX 1/4-20 X 1.50
765	308146	BOOT, CLUTCH SPRING
766	333928	GRIP

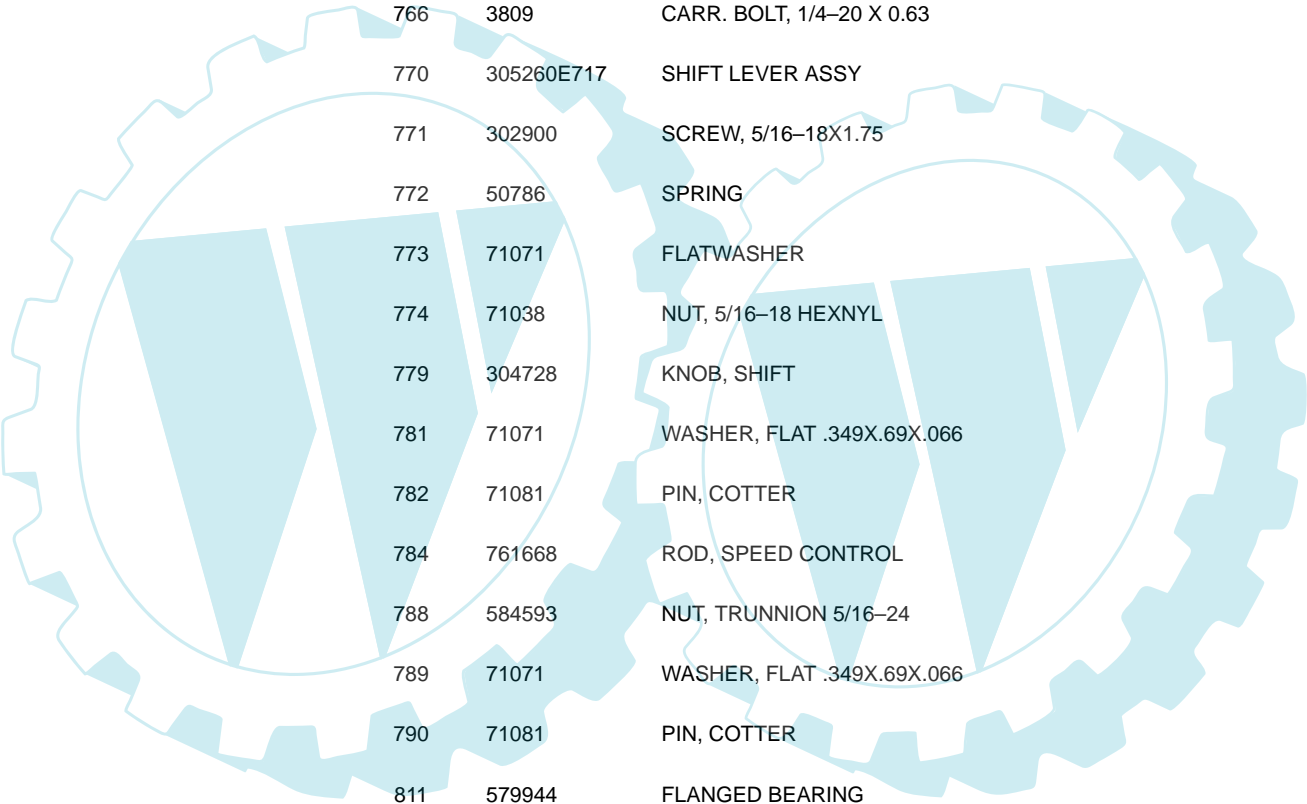
MODEL 627809x54C

REPAIR PARTS
CONTROL PANEL



MODEL 627809x54C

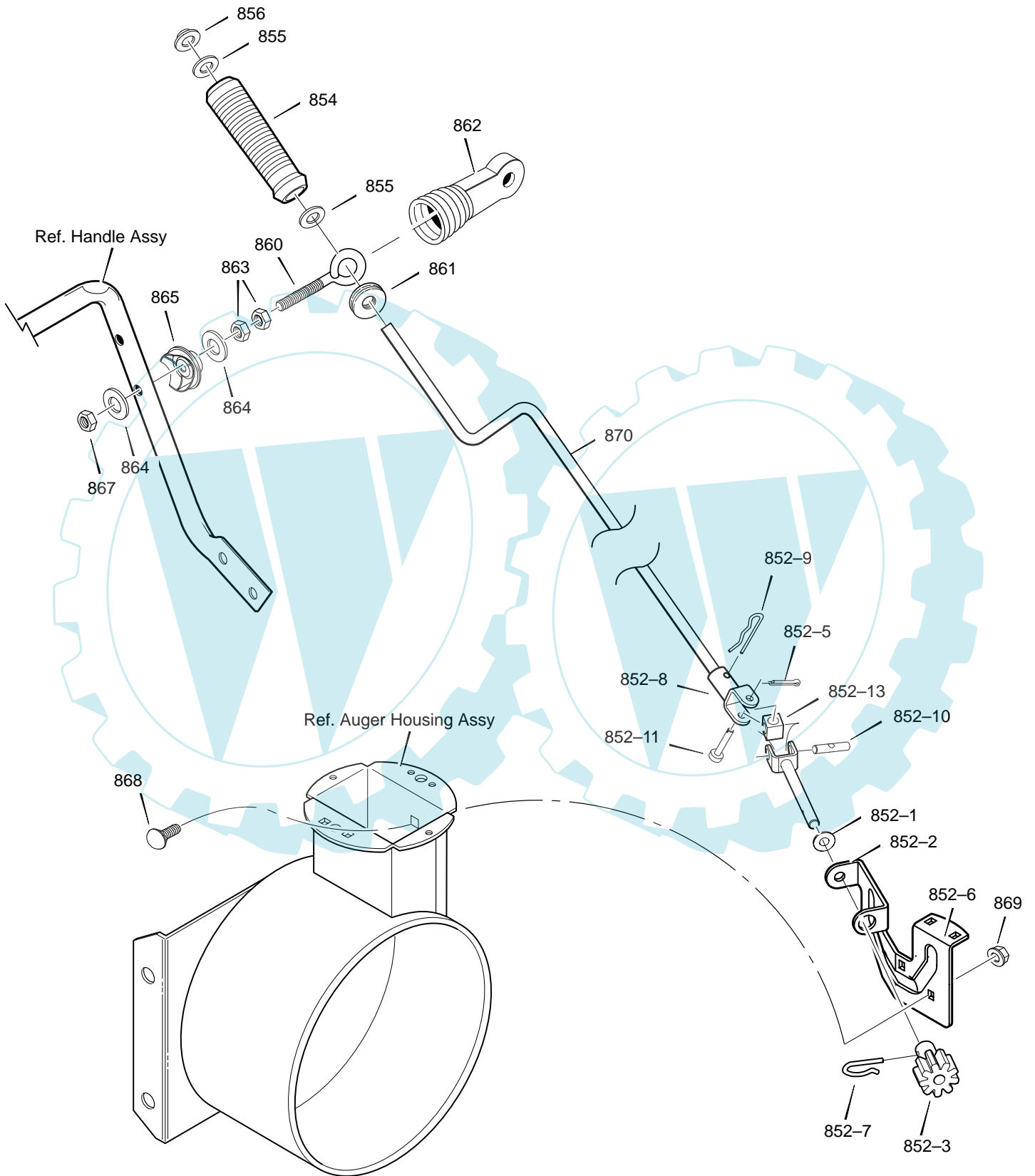
REPAIR PARTS CONTROL PANEL



Key No.	Part No.	Description
735	71045	NUT, 3/8-16 HEXJAM
760	308905E717	BRACKET, SHIFT CONTROL
761	762148	CARR. BOLT, 1/4-20 X 2
763	71059	WASHER, HVSPTLK
764	71034	NUT, 1/4-20 REGHEX
765	761973E245	CONTROL PANEL
766	3809	CARR. BOLT, 1/4-20 X 0.63
770	305260E717	SHIFT LEVER ASSY
771	302900	SCREW, 5/16-18X1.75
772	50786	SPRING
773	71071	FLATWASHER
774	71038	NUT, 5/16-18 HEXNYL
779	304728	KNOB, SHIFT
781	71071	WASHER, FLAT .349X.69X.066
782	71081	PIN, COTTER
784	761668	ROD, SPEED CONTROL
788	584593	NUT, TRUNNION 5/16-24
789	71071	WASHER, FLAT .349X.69X.066
790	71081	PIN, COTTER
811	579944	FLANGED BEARING
812	1501110 YZ	ROD ASSY, YOKE PANEL
813	11X30	RING, RETAINER

MODEL 627809x54C

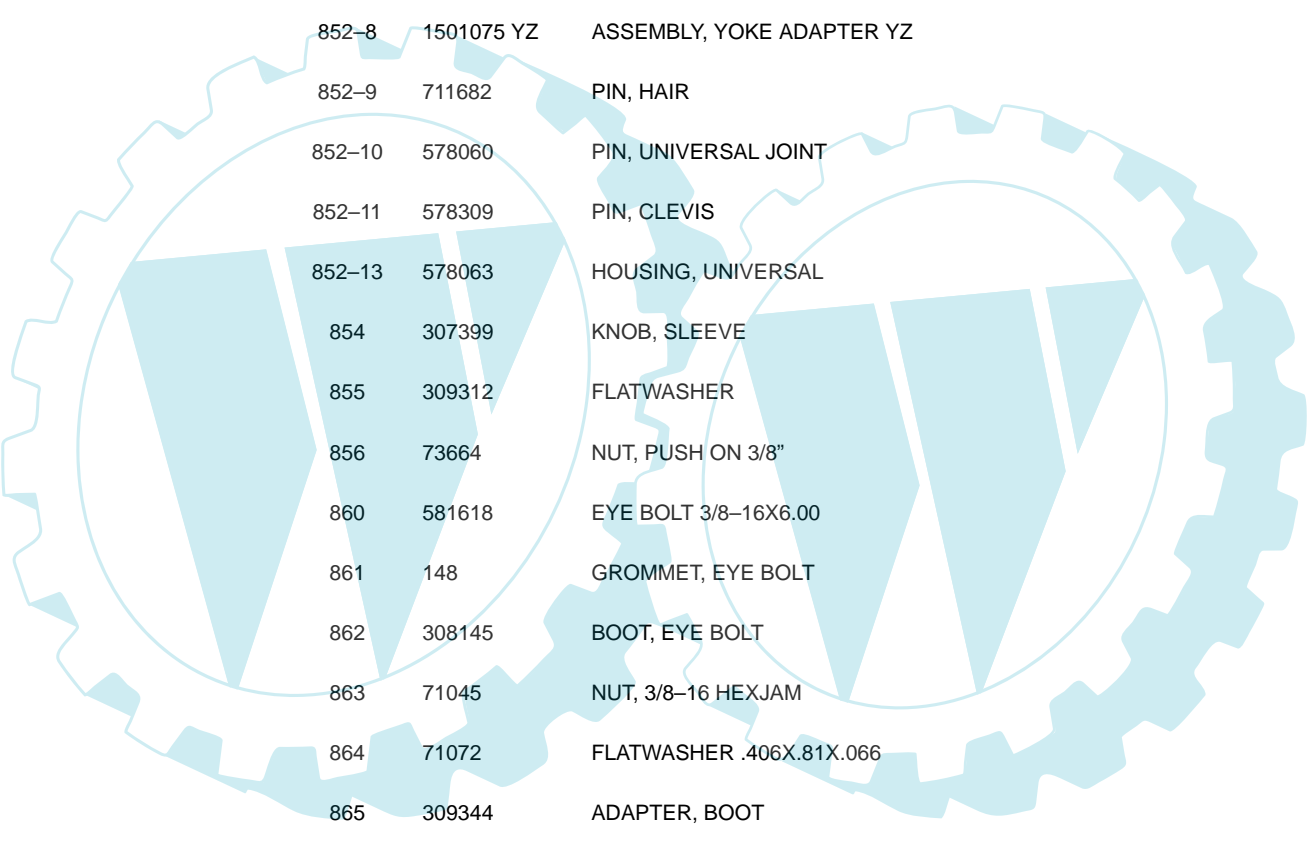
REPAIR PARTS
CHUTE ROD



CROD101B

MODEL 627809x54C

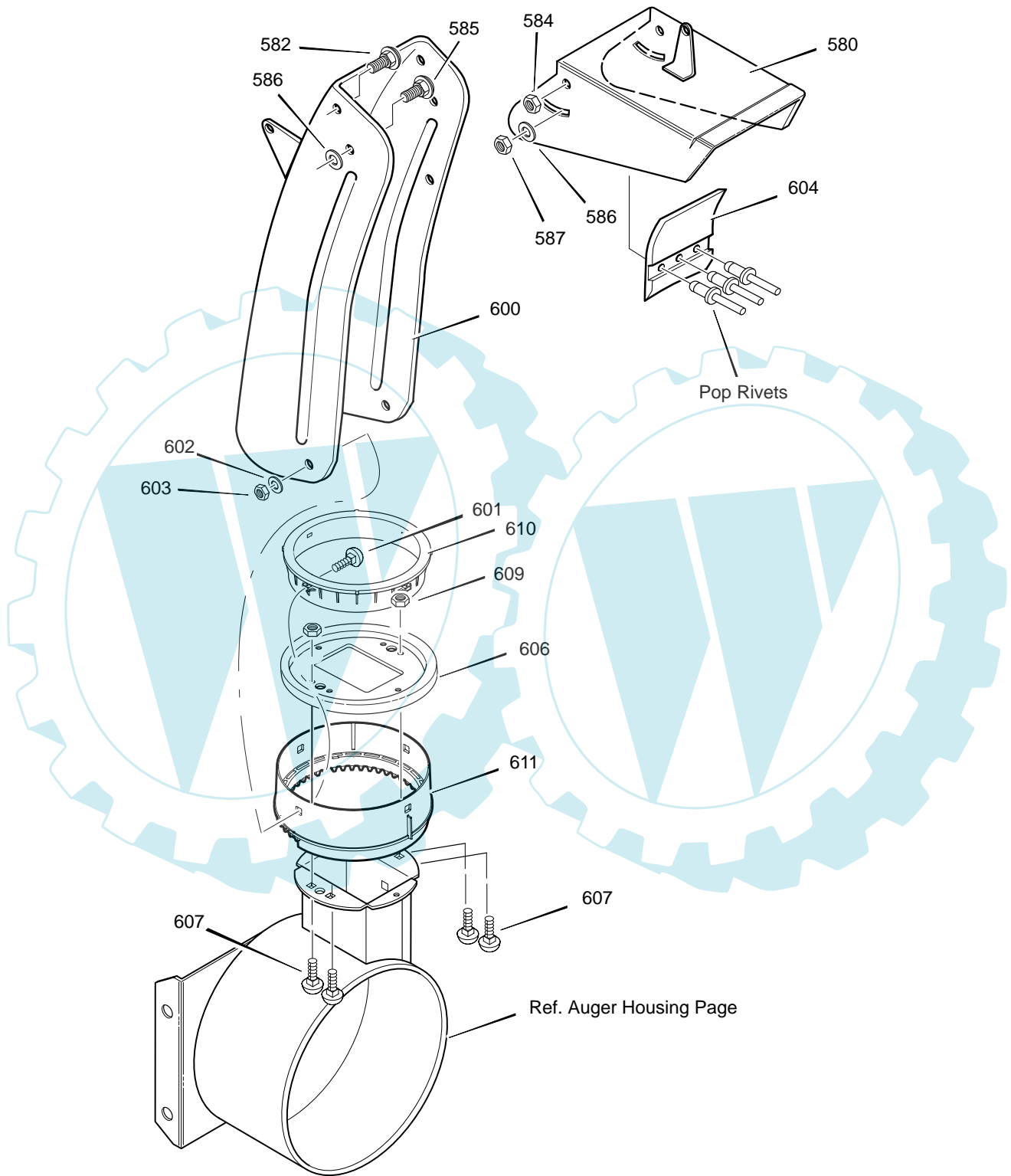
REPAIR PARTS CHUTE ROD



Key No.	Part No.	Description
852-1	1501309 YZ	ASSEMBLY, YOKE & ROD
852-2	313431	WASHER, CURVED SPRING
852-3	1501067	GEAR, CHUTE ROTATION 9T
852-5	71082	PIN, COTTER
852-6	1501306E701	BRACKET, GEAR MOUNT
852-7	1501293	PIN, HAIR
852-8	1501075 YZ	ASSEMBLY, YOKE ADAPTER YZ
852-9	711682	PIN, HAIR
852-10	578060	PIN, UNIVERSAL JOINT
852-11	578309	PIN, CLEVIS
852-13	578063	HOUSING, UNIVERSAL
854	307399	KNOB, SLEEVE
855	309312	FLATWASHER
856	73664	NUT, PUSH ON 3/8"
860	581618	EYE BOLT 3/8-16X6.00
861	148	GROMMET, EYE BOLT
862	308145	BOOT, EYE BOLT
863	71045	NUT, 3/8-16 HEXJAM
864	71072	FLATWASHER .406X.81X.066
865	309344	ADAPTER, BOOT
867	71046	NUT, 3/8-16 HEXNYL
868	2X98	BOLT, CARRIAGE 1/4-20 X 1.00
869	15x145	NUT
870	1501074 YZ	CRANK, ASSY CHUTE

MODEL 627809x54C

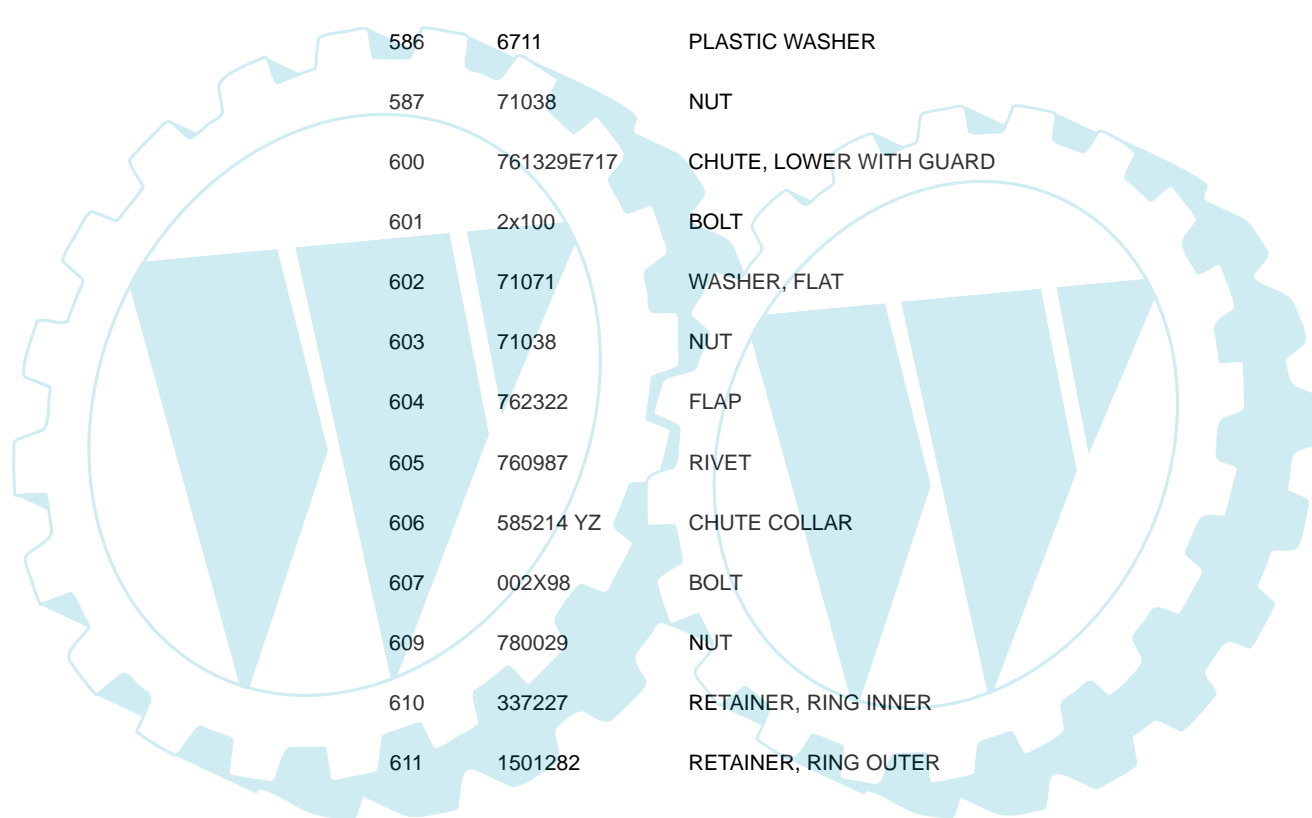
REPAIR PARTS
DISCHARGE CHUTE



C3100B

MODEL 627809x54C

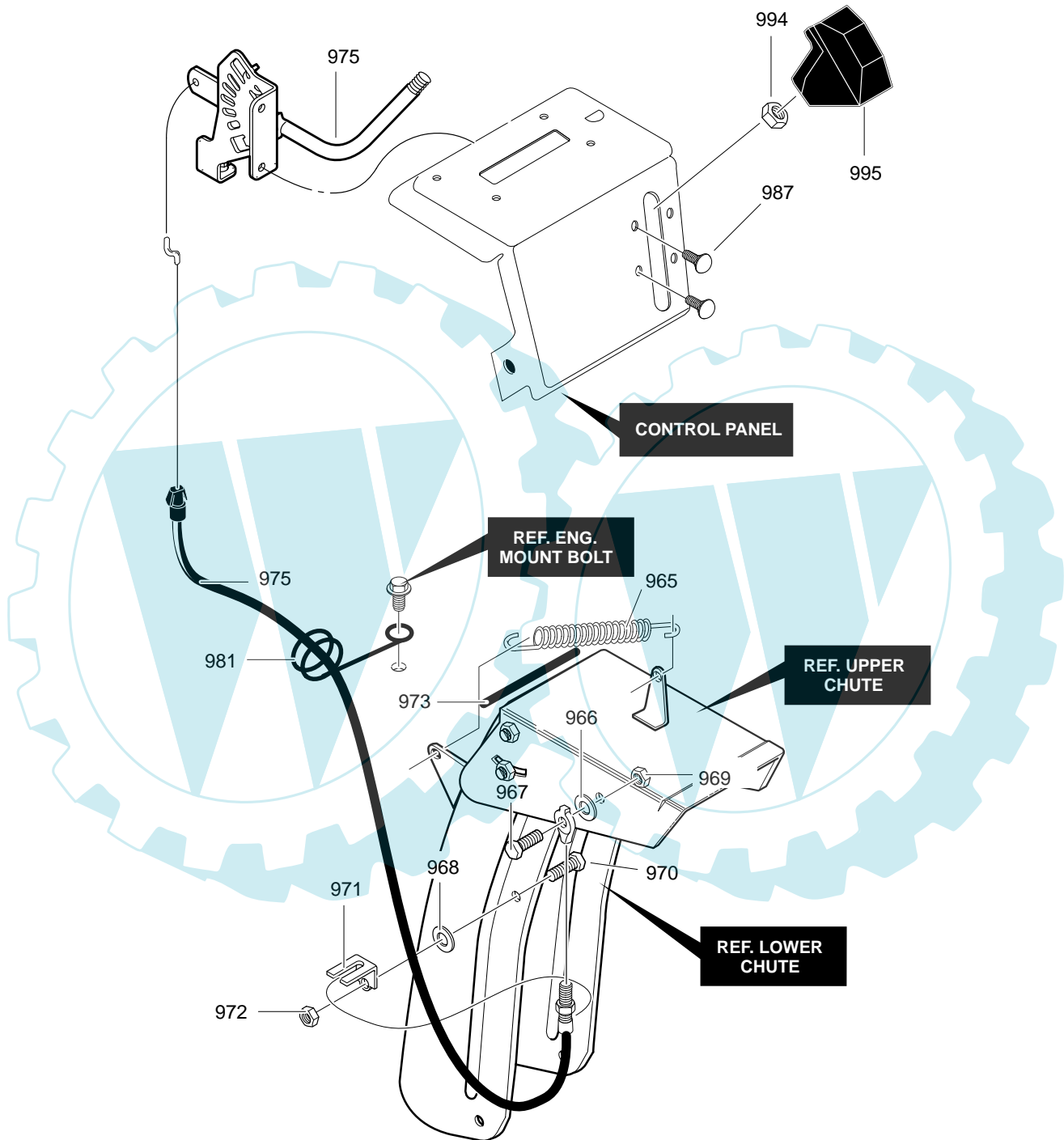
REPAIR PARTS DISCHARGE CHUTE



Key No.	Part No.	Description
580	761168E717	CHUTE, UPPER W/REMOTE
582	578088	SCREW, 5/16-18 X.75
584	71038	NUT
585	578088	SCREW, 5/16-18 X.75
586	6711	PLASTIC WASHER
587	71038	NUT
600	761329E717	CHUTE, LOWER WITH GUARD
601	2x100	BOLT
602	71071	WASHER, FLAT
603	71038	NUT
604	762322	FLAP
605	760987	RIVET
606	585214 YZ	CHUTE COLLAR
607	002X98	BOLT
609	780029	NUT
610	337227	RETAINER, RING INNER
611	1501282	RETAINER, RING OUTER

MODEL 627809x54C

REPAIR PARTS
REMOTE CHUTE CONTROL

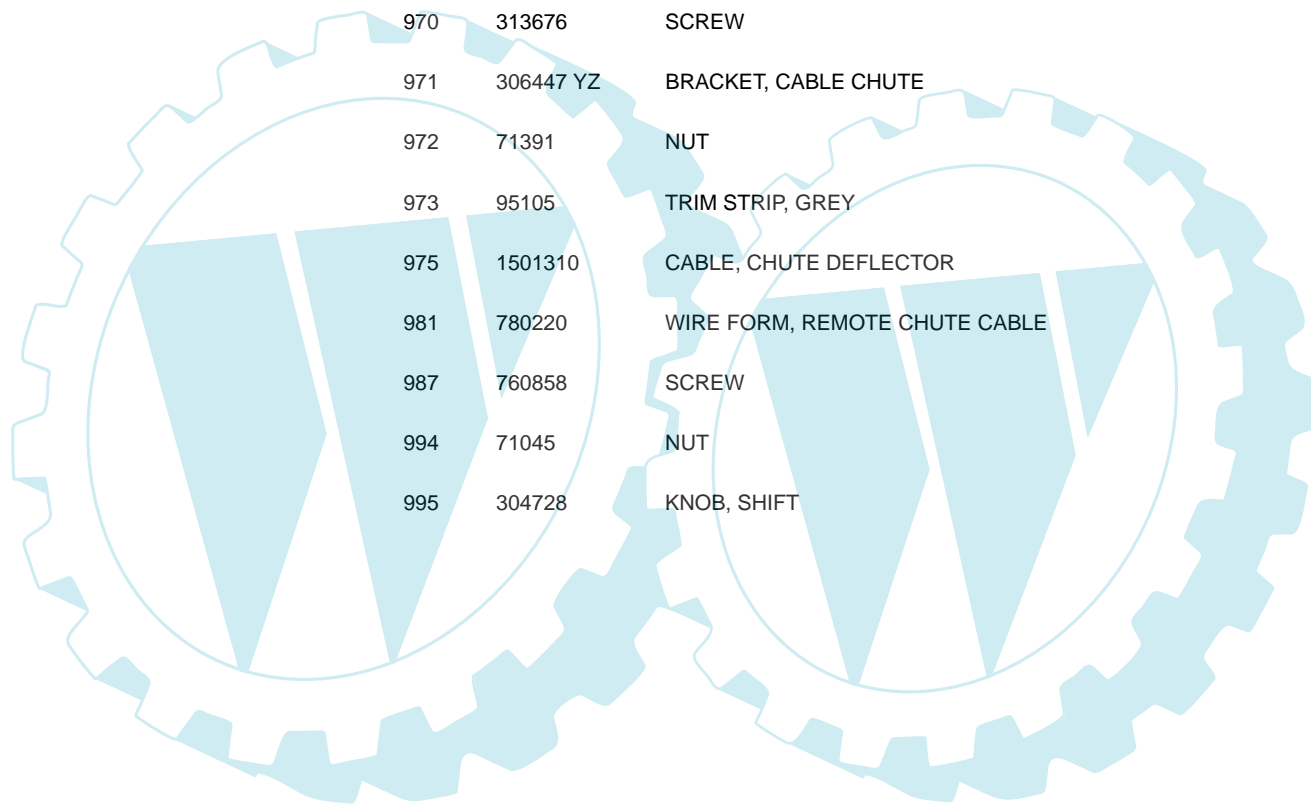


RMTCTRL104A

MODEL 627809x54C

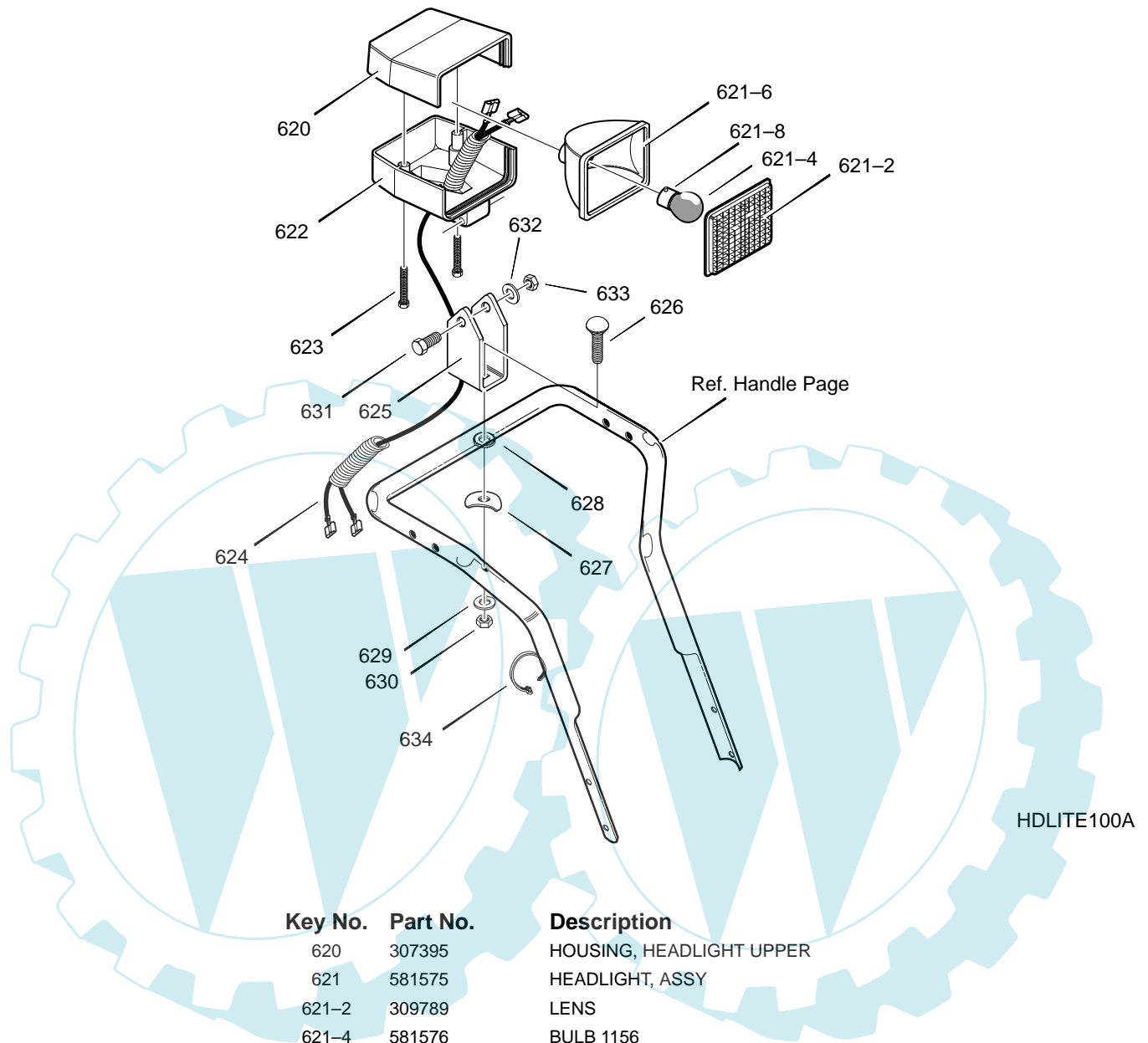
REPAIR PARTS REMOTE CHUTE CONTROL

Key No.	Part No.	Description
965	318468	TENSION SPRING
966	711666	FLATWASHER
967	310088	BOLT
968	73787	FLATWASHER
969	302635	NUT
970	313676	SCREW
971	306447 YZ	BRACKET, CABLE CHUTE
972	71391	NUT
973	95105	TRIM STRIP, GREY
975	1501310	CABLE, CHUTE DEFLECTOR
981	780220	WIRE FORM, REMOTE CHUTE CABLE
987	760858	SCREW
994	71045	NUT
995	304728	KNOB, SHIFT



MODEL 627809x54C

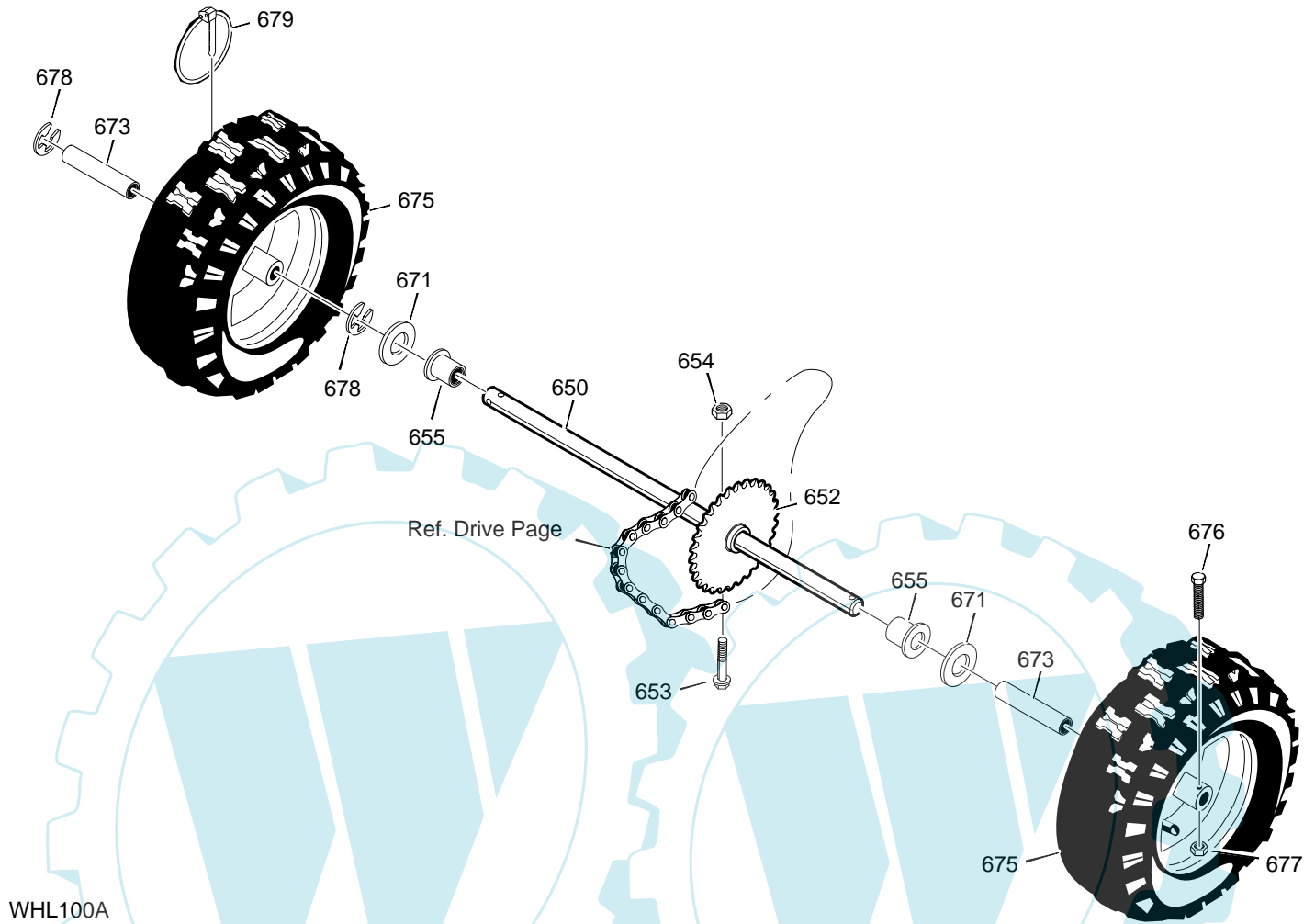
REPAIR PARTS
HEADLIGHT



Key No.	Part No.	Description
620	307395	HOUSING, HEADLIGHT UPPER
621	581575	HEADLIGHT, ASSY
621-2	309789	LENS
621-4	581576	BULB 1156
621-6	309792	BACK, METALIZED
621-8	309793	SOCKET
622	580530	HOUSING, HEADLIGHT LOWER
623	307781	SCREW, #8X1.75
624	307767	WIRING HARNESS
625	4029 YZ	BRACKET, HEADLIGHT
626	580846	BOLT, 5/16-18X2.25 CARR.
627	580527	WASHER, SADDLE
628	71061	WASHER, EXLK .32X.60X.040
629	71060	WASHER, SPTLK .31X.58X.08
630	71037	NUT, 5/16-18 REGHEX
631	235	SCREW, 5/16-18X2.00
632	71060	WASHER, SPTLK
633	71037	NUT, 5/16-18 REGHEX
634	57444	TIE, CABLE

MODEL 627809x54C

REPAIR PARTS
WHEELS



Key No.	Part No.	Description
650	1501284	SHAFT, AXLE
652	1501089	SPRKT & HUB
653	01x193	SCREW, 1/4-20X1.75
654	780029	NUT, 1/4-20 HEX NYLOCK
655	1501114	BEARING, AXLE
671	712120	FLATWASHER
673	1501138	BUSHING, WHEEL
675	580362	TIRE & RIM
676	577015	SCREW, 1/4-20X1.75 HH
677	15x145	NUT, 1/4-20 HEX NYLOCK
678	239	RING, RET
679	73842	PIN, KLIK .25 X 1.38 DIA