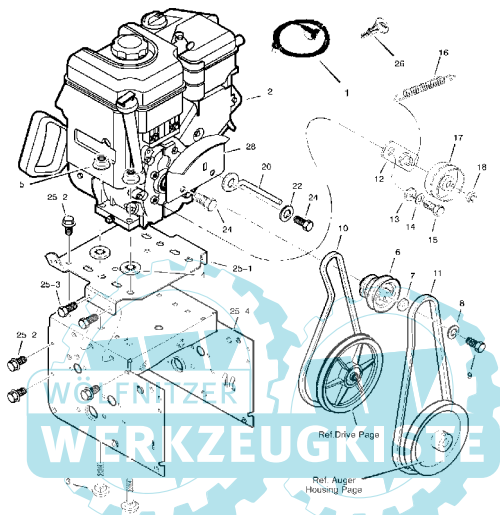


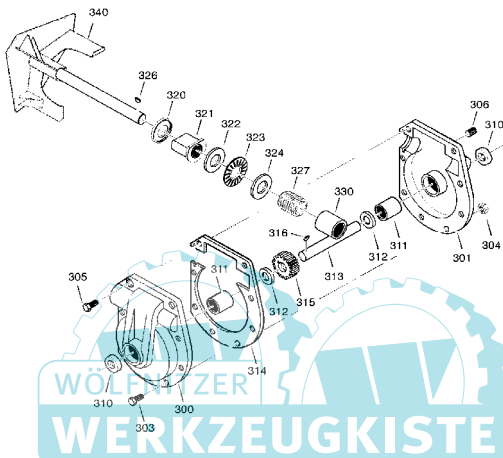
- Ⓒ **Parts List** – Model 627804x54A
- Ⓕ **Liste de pièces** – Modèle 627804x54A
- Ⓓ **Teileliste** – Modell 627804x54A
- Ⓘ **Elenco pezzi** – Modello 627804x54A
- Ⓝ **Deleliste** – Modell 627804x54A
- Ⓢ **Reservdelslista** – Modell 627804x54A
- Ⓢ **Varaosaluettelo** – Malli 627804x54A
- Ⓔ **Lista de partes** – Modelo 627804x54A



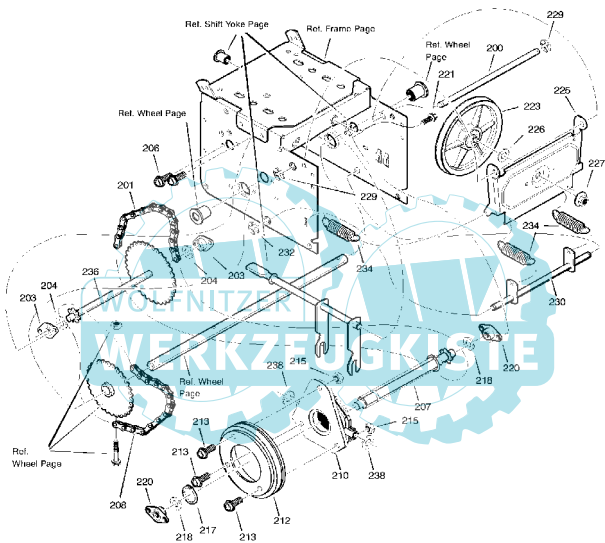


Key No.	Part No.	Description
1	751332	CORD, STARTER
2		ENGINE
3	002x97	BOLT, CARRIAGE
4	028x75	RETAINER, PUSH
5	710026	NUT
6	1501109	PULLEY, ENGINE
7	710247	WASHER
8	71063	WASHER
9	71015	SCREW
10	579932	BELT, DRIVE V 3I
11	585416	BELT, AUGER V 4L
12	1501112 YZ	BRACKET ASSEMBLY, IDLER
13	1501065	BUSHING, IDLER BRACKET
14	71060	WASHER, SPLIT
15	810828	SCREW 5/16-24 X 1.00

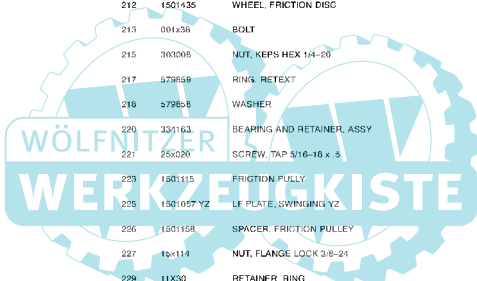
Key No.	Part No.	Description
16	53704	SPRING, IDLER TRACTION DRIVE
17	50793	PULLEY, IDLER
18	580	NUT, JAM 3/8 16
20	1501201	GUIDE, ROD BELT
22	71060	WASHER
24	710087	SCREW
25		FRAME ASSEMBLY
25-1	1501062E215	PLATE, ENGINE
25 2	310169	SCREW
25-3	25x020	SCREW
25 4	15010450E245	MOTOR BOX
26	1501214	KEY, BRIGGS ENGINE
28	1501999 Z	SHIELD, BRIGGS ENGINE
	F 041092L	OWNER'S MANUAL

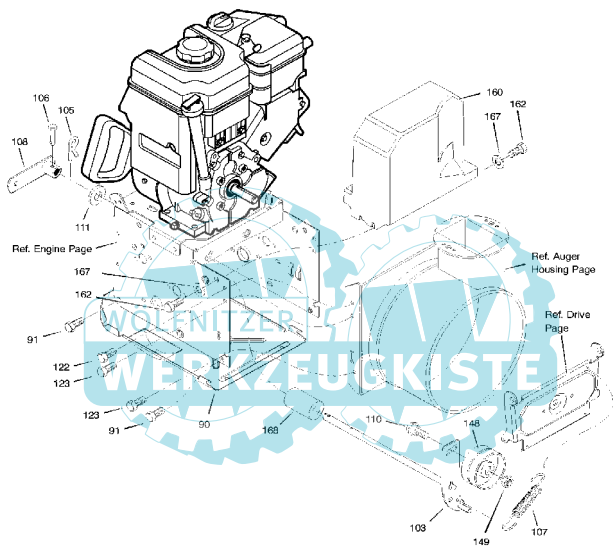


Key No.	Part No.	Description	Key No.	Part No.	Description
300	686	CASE, GEAR, RH	316	73905	KEY, WOODRUFF #1
301	685	CASE, GEAR, LH	320	53737	RING, GUAO 0.824 ID
303	910829	SCREW, 5/16-24 x 1.00	321	583126	BEARING, FLANGE
304	71100	NUT, 5/16-24	322	48275	WASHER, FLAT
305	330434	SCREW, 5/16-24 x 1.50	323	50084	BEARING, ROLLER
306	53749	PLUG, PIPE 0.25 18	324	48275	WASHER, FLAT
310	780151	SEAL, OIL	326	50795	KEY
311	53743	BEARING, SLEEVE	327	53732	WORM
312	53748	WASHER, FLAT	330	53731	BEARING, SLEEVE
313	780528	SHAFT, AUGER OUTPUT	340	1501147E701	IMPELLER
314	687	GASKET, GEAR BOX	330431		10oz TUBE LUBRIPLATE
315	53730	WORM GEAR			

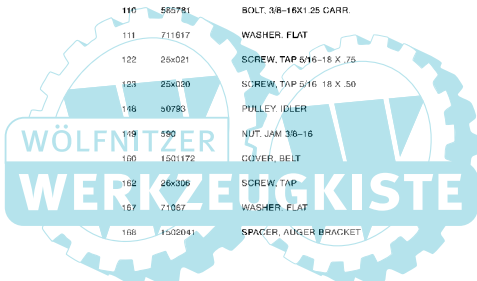


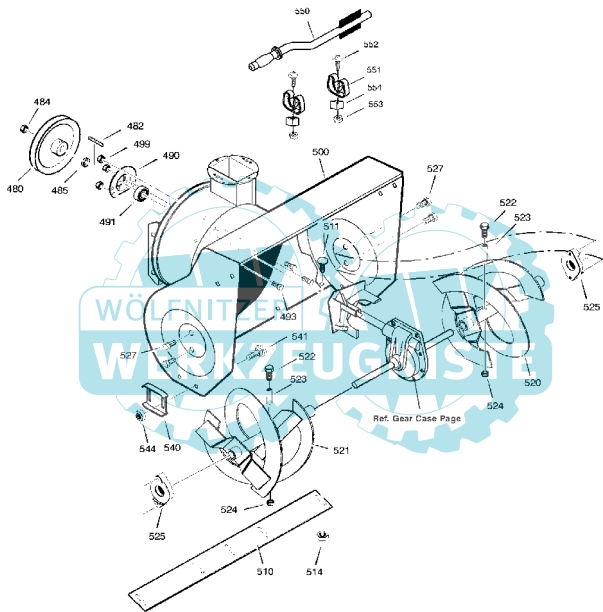
Key No.	Part No.	Description
200	1501092 YZ	LF AXLE, SWING PLATE YZ
201	579851	CHAIN, ROLLER #420x18.00
203	331163	BEARING AND RETAINER, ASSY
204	579855	WASHER
206	25x020	SCREW, TAP 5/16-18x0.5
207	1501236	ASSY, HEX SHAFT
208	579866	CHAIN, ROLLER #420x18.00 LG
210	337029	BEARING, TRUNION CLUTCH R
212	1501435	WHEEL, FRICTION DISC
213	001x36	BOLT
215	303005	NUT, KEPS HEX 1/4-20
217	579859	RING, RETEXT
218	579855	WASHER
220	331163	BEARING AND RETAINER, ASSY
221	25x020	SCREW, TAP 5/16-18 x .5
223	1501115	FRICTION PULLY
225	1501057 YZ	LF PLATE, SWINGING YZ
226	1501158	SPACER, FRICTION PULLEY
227	15x114	NUT, FLANGE LOCK 3/8-24
228	11X30	RETAINER, RING
230	1502105 YZ	LF ASSY, SPRING LINK YZ
232	11X30	RETAINER, RING
234	165x112	SPRING, EXTENSION
236	1501237	WLD, INTERMED SPROCKET 33T/7
238	71074	WASHER, FLAT





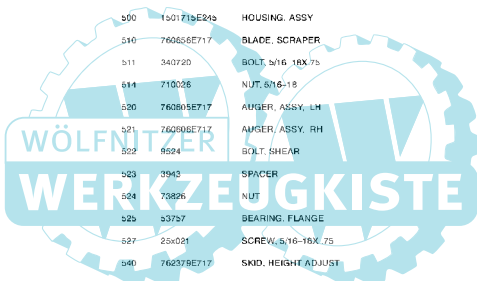
Key No.	Part No.	Description
90	1601066E717	COVER, BOTTOM
91	310169	SCREW, 1/4 20X .63
103	1601782 YZ	IDLER ASSEMBLY, AUGER
105	711662	PIN, HAIR .38DIA X 1.04LG
106	761761	PIN, CLEVIS 3/16" DIA
107	165x159	SPRING, TENSION
108	761675 YZ	ASSY., SPRING ATTACH
110	585781	BOLT, 3/8-16X1.25 CARR.
111	711617	WASHER, FLAT
122	26x021	SCREW, TAP 5/16-18 X .75
123	25X020	SCREW, TAP 5/16 18 X .50
126	50793	PULLEY, IDLER
149	590	NUT, JAM 3/8-16
100	1501172	COVER, BELT
162	26x306	SCREW, TAP
167	71057	WASHER, FLAT
168	1502041	SPACER, AUGER BRACKET

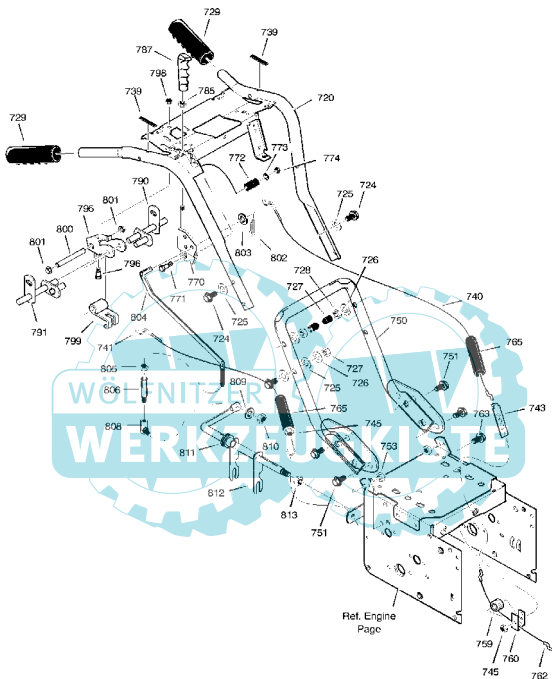




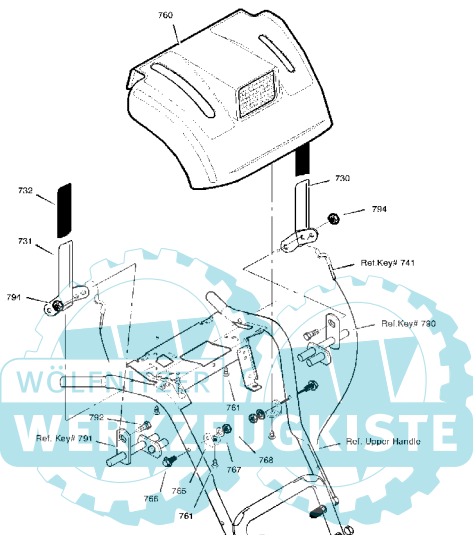


Key No.	Part No.	Description
480	563146	PULLEY, 4L 8.40 OD
482	2001022	KEY, SQUARE 3/16 X 3/4
484	15x112	NUT, 1/2" 20
485	1501158	SPACER, FRICTION PULLEY
490	582967 YZ	RETAINER, BALL BRNG
491	1501389	BEARING, BALL
493	001X92	BOLT, HEX 5/16" 16X .50
499	710026	NUT, 5/16-18 HEXWDFLLK
500	1501713E215	HOUSING, ASSY
510	760656E717	BLADE, SCRAPER
511	340720	BOLT, 5/16" 16X .75
514	710026	NUT, 5/16-18
520	760805E717	AUGER, ASSY, LH
521	760606E717	AUGER, ASSY, RH
522	9524	BOLT, SHEAR
523	3943	SPACER
524	75826	NUT
525	53757	BEARING, FLANGE
527	25x021	SCREW, 5/16-16X .75
540	762379E717	SKID, HEIGHT ADJUST
541	340720	BOLT, 5/16-18 X .75
544	710026	NUT, 5/16-18
550	1501576	BRUSH, CLEANOUT
551	1501672	CLIP, RETAINER
552	06x115	SCREW
553	15x146	NUT
554	578063	BLOCK
--	1501216	KIT, SHEAR BOLT





Key No.	Part No.	Description	Key No.	Part No.	Description
720	1501376E717	ASSY. HANDLE	773	71072	WASHER. FLAT
724	7288	SCREW	774	71046	NUT. HEX
725	71072	WASHER. FLAT	785	71045	NUT. HEX
726	71062	WASHER	787	304726	KNOB. SHIFT
727	71044	NUT	790	578926	ROD. ASSY LH
728	7288	STOP. PLASTIC	791	578924	ROD. ASSY RH
729	337399	GRIP. HANDLE	795	579002	BRACKET. CAM
739	4048	BUMPER	796	002x53	SCREW
740	1501451	CABLE. AUGER CLUTCH	798	71038	NUT. NYLOCK
741	1501452	CABLE. DRIVE	799	8417	CAM LOCK
743	313441	BRKT. CABLE ADJ	800	584673	PIN. SPRING PIVOT
744	1673	SPRING. CLUTCH	801	73364	NUT. PUSH ON
745	15x145	NUT. HEX	802	71081	PIN. COTTER
750	1501449E717	HANDLE. LOWER	803	71071	FLATWASHER
751	25x021	SCREW	804	1501728	ROD. SPEED CONTROL
756	15x144	BOLT. HEX	805	71042	NUT. 5/16 15
759	579860	SPOOL. CABLE	806	6352	ADAPTER. ROD
760	1501059 YZ	BRKT. SPOOL	806	50782	BALLJOINT. STEEL
762	1501122	CABLE. LOWER DRIVE	809	71060	WASHER
763	001798	BOLT. HEX 1/4 20 x 1.5	810	71042	NUT. 5/16 15
765	308116	BOOT. CABLE	811	579844	BEARING. FL
770	1501570 YZ	BRACKET. SHIFT	812	1501110 YZ	ROD. YOKE
771	4058	SCREW	813	11x30	RETAINER. RING
772	50786	SPRING			



Key No.	Part No.	Description
730	1501358E717	CLUTCH HANDLE LH
731	1501357E717	CLUTCH HANDLE RH
732	337380	GRIP, CLUTCH LEVER
760	1501485	PANEL, CONTROL
761	316042	SCREW
765	578866E701	BRACKET, PANEL

Key No.	Part No.	Description
766	302900	SCREW, 5/16 18 X 1.75
767	71060	WASHER
768	15x144	NUT, 5/16 18
792	905531	BOLT, 1/4-20 X 0.50
794	908913	NUT, 1/4-20

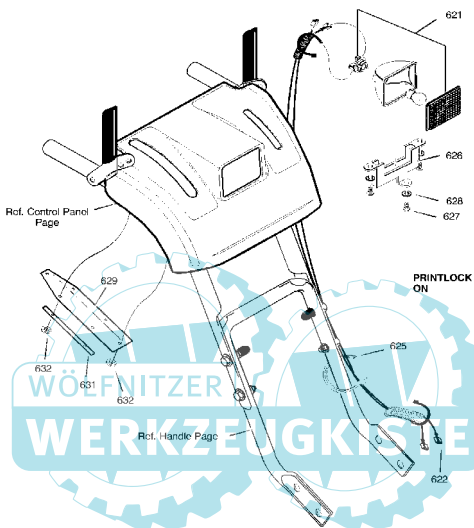
F 0410R2L

110

MODEL 627604x51A

www.ersatzteil-service.de

REPAIR PARTS  
HEADLIGHT

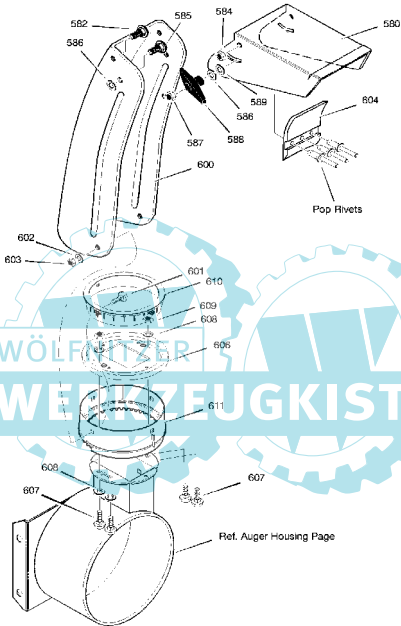


Key No.	Part No.	Description
621	762343	LIGHT, HALOGEN
622	1501466	HARNES, WIRE
625	071372	TIE, CABLE
626	578921	BRACKET, LIGHT
627	901696	SCREW #8 X .50
628	901736	WASHER, FLAT
629	1501401	COVER
631	1501330	FRAME
632	028x79	NUT, PUSH

F-011092L

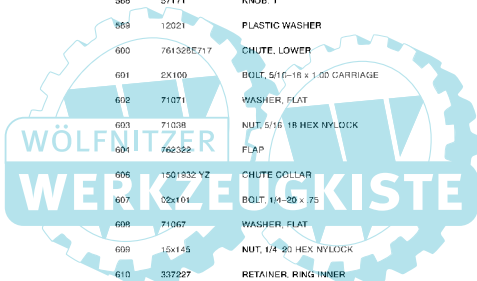
111

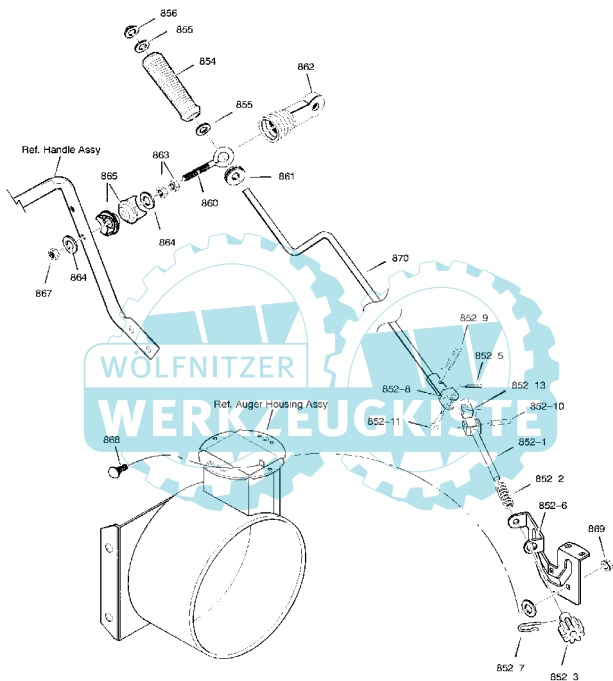
Ihr Ersatzteilspezialist im Internet



C3101A

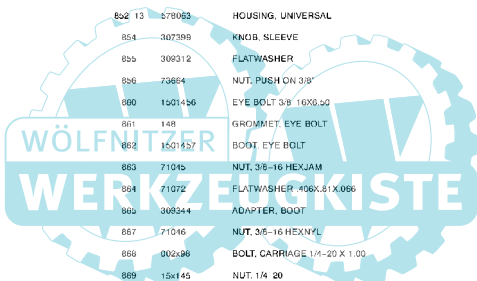
Key No.	Part No.	Description
580	761070E717	CHUTE, UPPER
582	578085	SCREW, 5/16-18 X 7.5
584	71038	NUT, 5/16-18 HEX NYLOCK
585	002X97	BOLT, CAR, 5/16-18 X1.5
586	6711	PLASTIC WASHER
587	15x144	NUT, 5/16 18 HEX
588	57171	KNOB, T
589	12021	PLASTIC WASHER
600	761328E717	CHUTE, LOWER
601	2K100	BOLT, 5/16-18 x 1.00 CARRIAGE
602	71071	WASHER, FLAT
603	71038	NUT, 5/16 18 HEX NYLOCK
604	762322	FLAP
606	1501932 Y2	CHUTE COLLAR
607	02x104	BOLT, 1/4-20 x 7.5
608	71067	WASHER, FLAT
609	15x145	NUT, 1/4 20 HEX NYLOCK
610	337227	RETAINER, RING INNER
611	1501252	RING, OUTER CHUTE

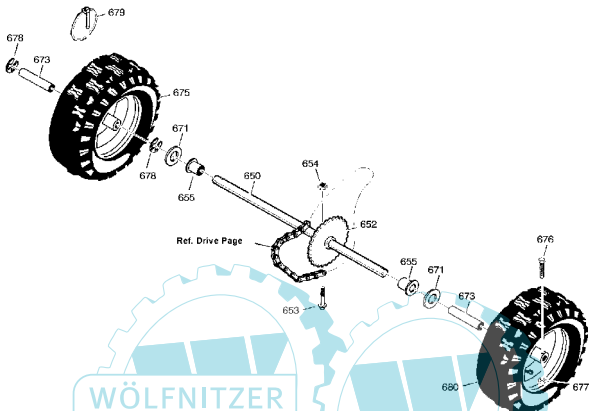






Key No.	Part No.	Description
852-1	1501533 YZ	ASSEMBLY, YOKE & ROD
852 2	164x37	SPRING
852 3	1501067	GEAR, CHUTE ROTATION 9T
852-5	578493	PIN, COTTER
852-6	1501306E717	BRACKET, CHUTE GEAR
852 7	1501293	PIN, HAIR
852 8	1501075 YZ	ASSEMBLY, YOKE ADAPTER YZ
852 9	711682	PIN, HAIR
852 10	578060	PIN, UNIVERSAL JOINT
852 11	578309	PIN, CLEVIS
852 13	578063	HOUSING, UNIVERSAL
854	307399	KNOB, SLEEVE
855	309312	FLATWASHER
856	73664	NUT, PUSH ON 3/8"
860	1501456	EYE BOLT 3/8 10X6.50
861	148	GROMMET, EYE BOLT
882	1501457	BOOT, EYE BOLT
883	71045	NUT, 3/8-16 HEXJAM
964	71072	FLATWASHER .406X.81X.066
965	309344	ADAPTER, BOOT
867	71046	NUT, 3/8-16 HEXNYL
866	002x96	BOLT, CARRIAGE 1/4-20 X 1.00
869	15x145	NUT, 1/4 20
870	1501074 YZ	CRANK, ASSY CHUTE





# WÖLFNITZER WERKZEUGKISTE

Key No.	Part No.	Description
650	1501563	SHAFT, AXLE
652	1501089	SPRKT & HUB
653	01x153	SCREW, 1/4" 20 x 1.75
654	15x145	NUT, 1/4" 20 HEX NYLON
655	1501114	BEARING, AXLE
671	712120	FLATWASHER
673	1501138	BUSHING, WHEEL
675	1501636	TIRE & RIM, RIGHT
676	57701b	SCREW, 1/4" 20X1.75 HH
677	15x145	NUT, 1/4" 20 HEX NYLON
678	238	RING, RET
679	73842	PIN, KLIK .25 X 1.38 DIA
680	1501637	TIRE & RIM, LEFT