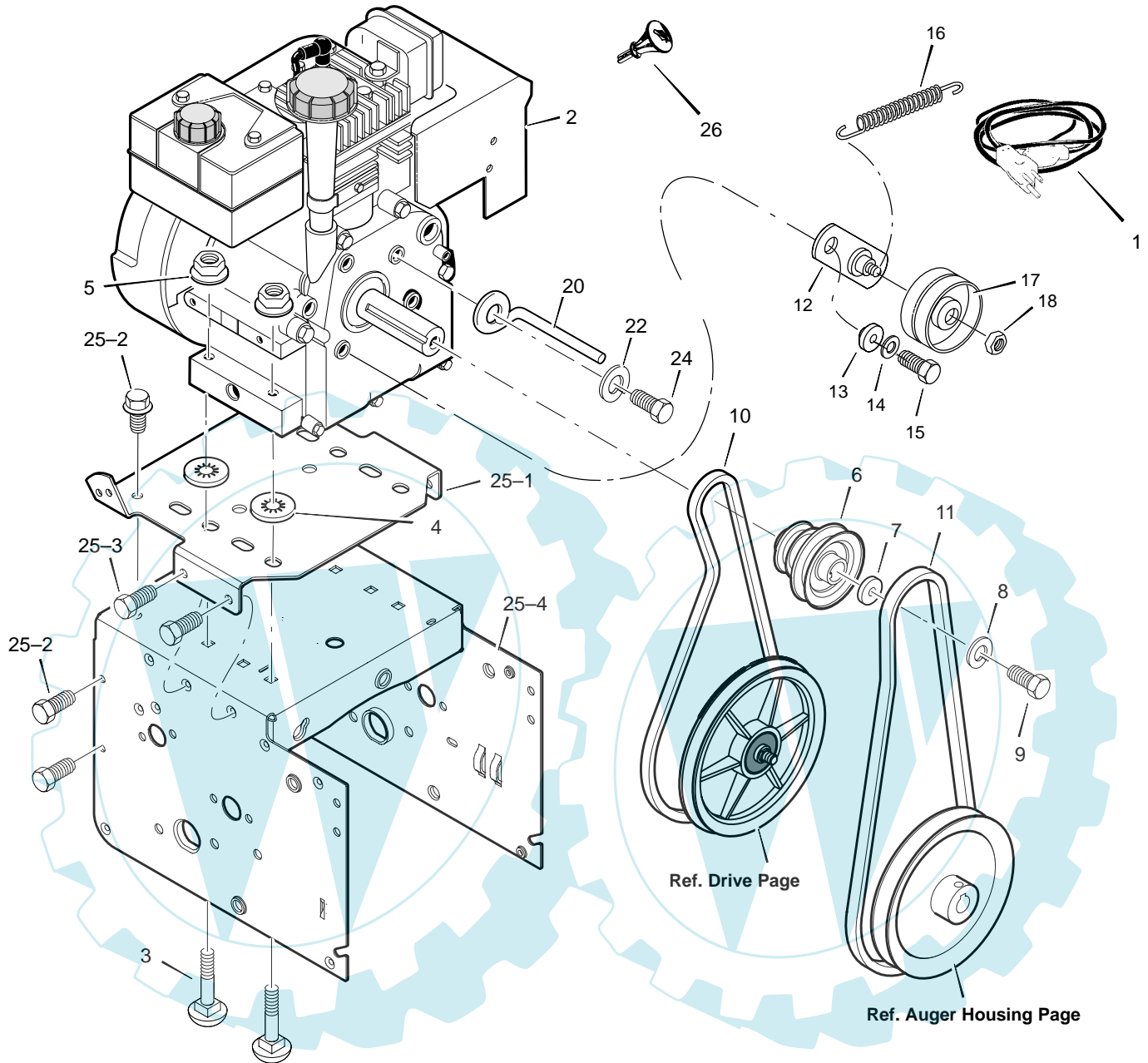


MODEL 627774x85A

REPAIR PARTS
ENGINE

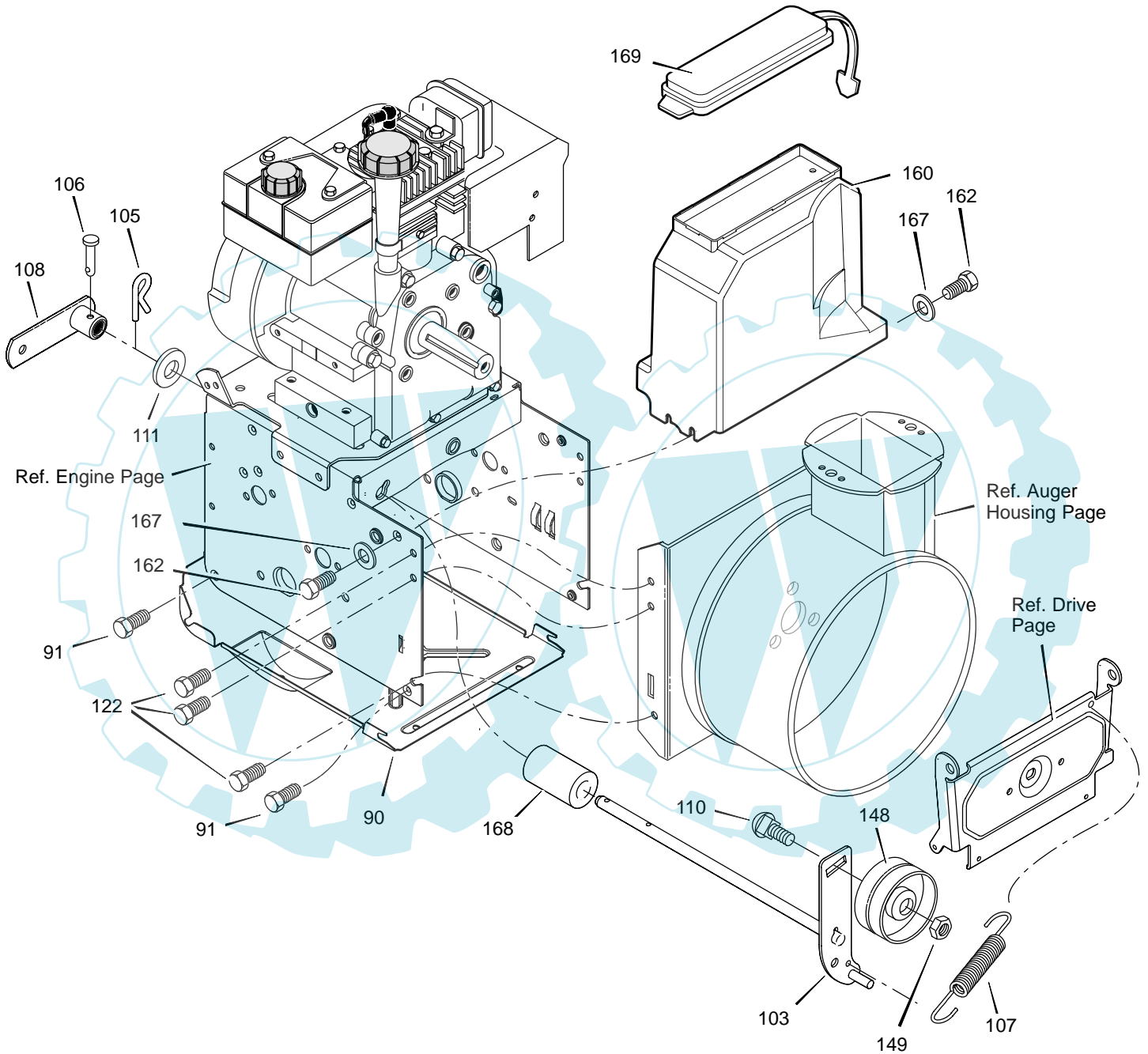


Key No.	Part No.	Description
1	761332	CORD, STARTER 220V
2	—	ENGINE
3	002x97	BOLT, CARRIAGE 5/16-18
4	028x76	RETAINER, PUSH
5	710026	NUT 5/16-18
6	1501109	PULLEY, ENGINE
7	710247	WASHER
8	71063	WASHER .38ID
9	71015	SCREW, 3/8-24X1.00
10	579932	BELT, V 3L
11	585416	BELT, V 4L
12	1501112 YZ	BRACKET ASSEMBLY, IDLER
13	1501065	BUSHING, IDLER BRACKET
14	71060	WASHER, SPLIT
15	710097	SCREW 5/16-24 X 0.75

Key No.	Part No.	Description
16	53704	SPRING, IDLER TRACTION DRIVE
17	50793	PULLEY, IDLER
18	590	NUT, JAM 3/8-16
20	1501201	GUIDE, BELT
22	71060	WASHER .31X.58X.08
24	710097	SCREW, 5/16-24X .75
25	—	FRAME, MOTORBOX (5-11HP)
25-1	1501062E012	PLATE, ENGINE MOUNT
25-2	310169	SCREW, TAP 1/4-20 X .63
25-3	25x020	SCREW, TAP 5/16-18 X .50
25-4	1501050E012	FRAME, MOTOR BOX
26	1501214	KEY, ENGINE
—	F-031047L	OWNER'S MANUAL

MODEL 627774x85A

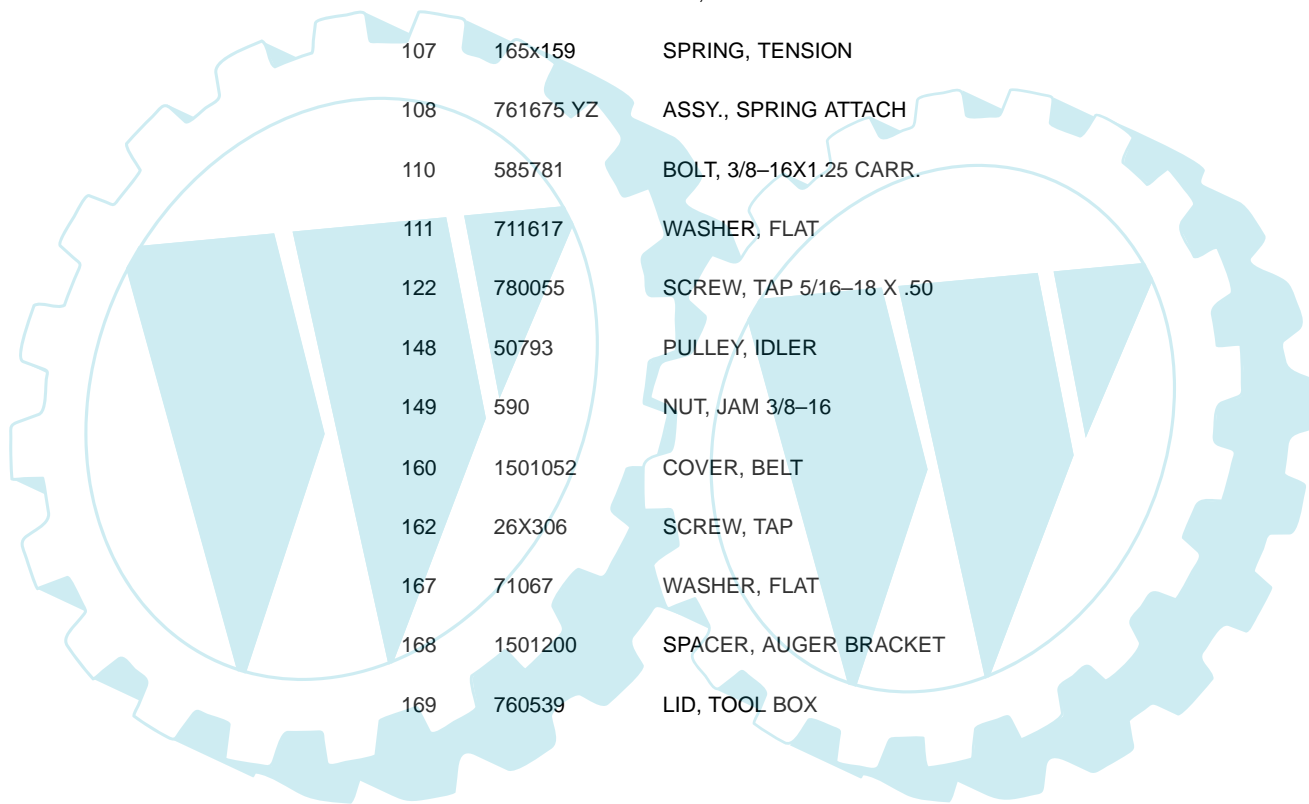
REPAIR PARTS
FRAME



MODEL 627774x85A

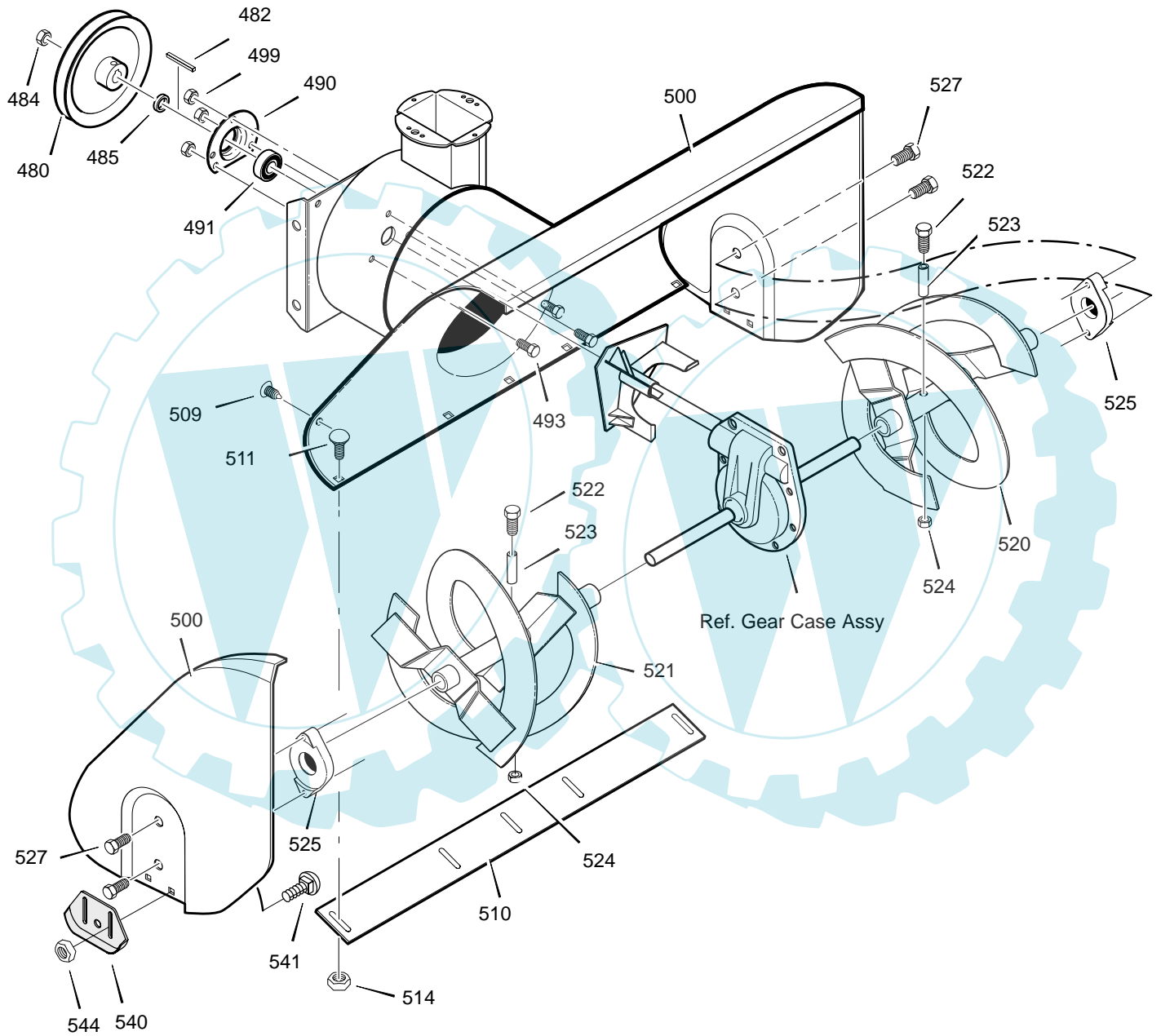
**REPAIR PARTS
FRAME**

Key No.	Part No.	Description
90	1501055E701	COVER, BOTTOM
91	310169	SCREW, 1/4-20X .63
103	1501226 YZ	IDLER ASSEMBLY, AUGER
105	711682	PIN, HAIR .38DIAx1.64LG
106	761761	PIN, CLEVIS 3/16" DIA
107	165x159	SPRING, TENSION
108	761675 YZ	ASSY., SPRING ATTACH
110	585781	BOLT, 3/8-16X1.25 CARR.
111	711617	WASHER, FLAT
122	780055	SCREW, TAP 5/16-18 X .50
148	50793	PULLEY, IDLER
149	590	NUT, JAM 3/8-16
160	1501052	COVER, BELT
162	26X306	SCREW, TAP
167	71067	WASHER, FLAT
168	1501200	SPACER, AUGER BRACKET
169	760539	LID, TOOL BOX



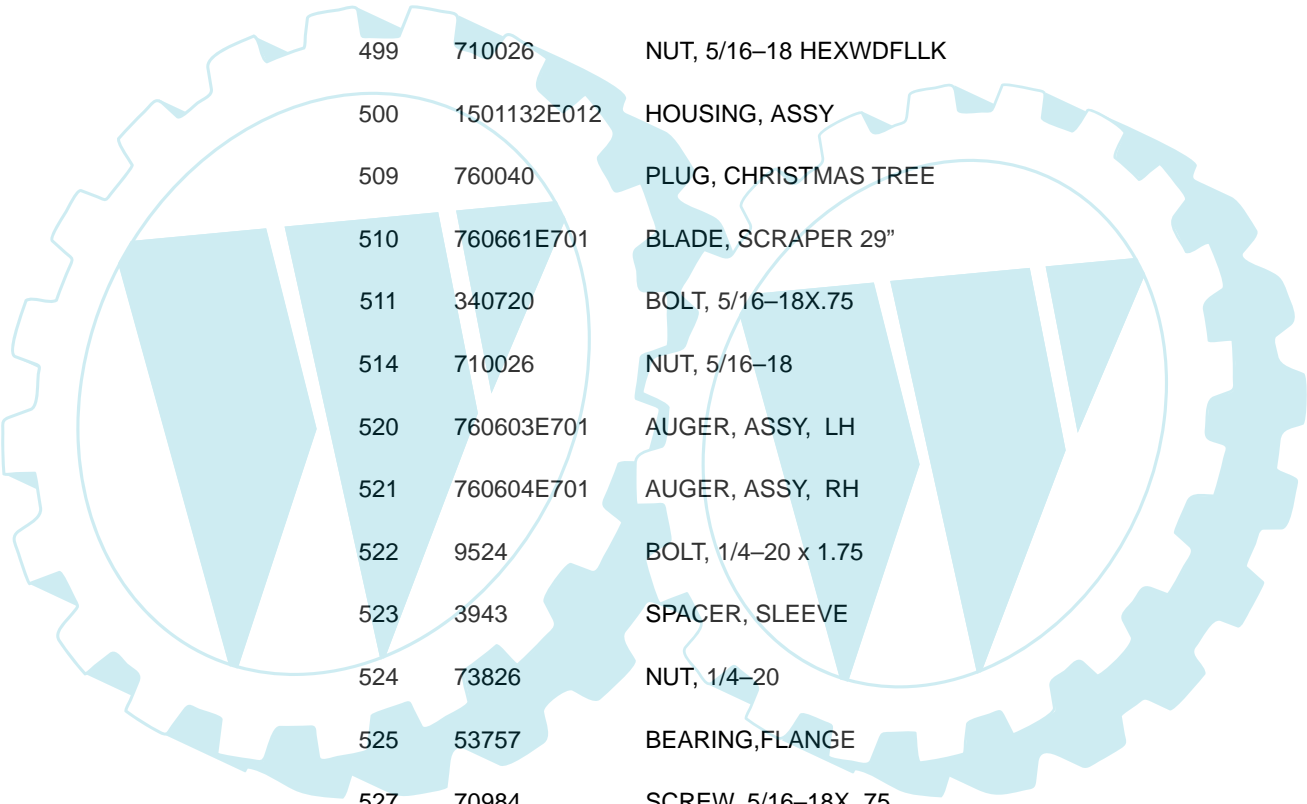
MODEL 627774x85A

REPAIR PARTS
AUGER HOUSING



MODEL 627774x85A

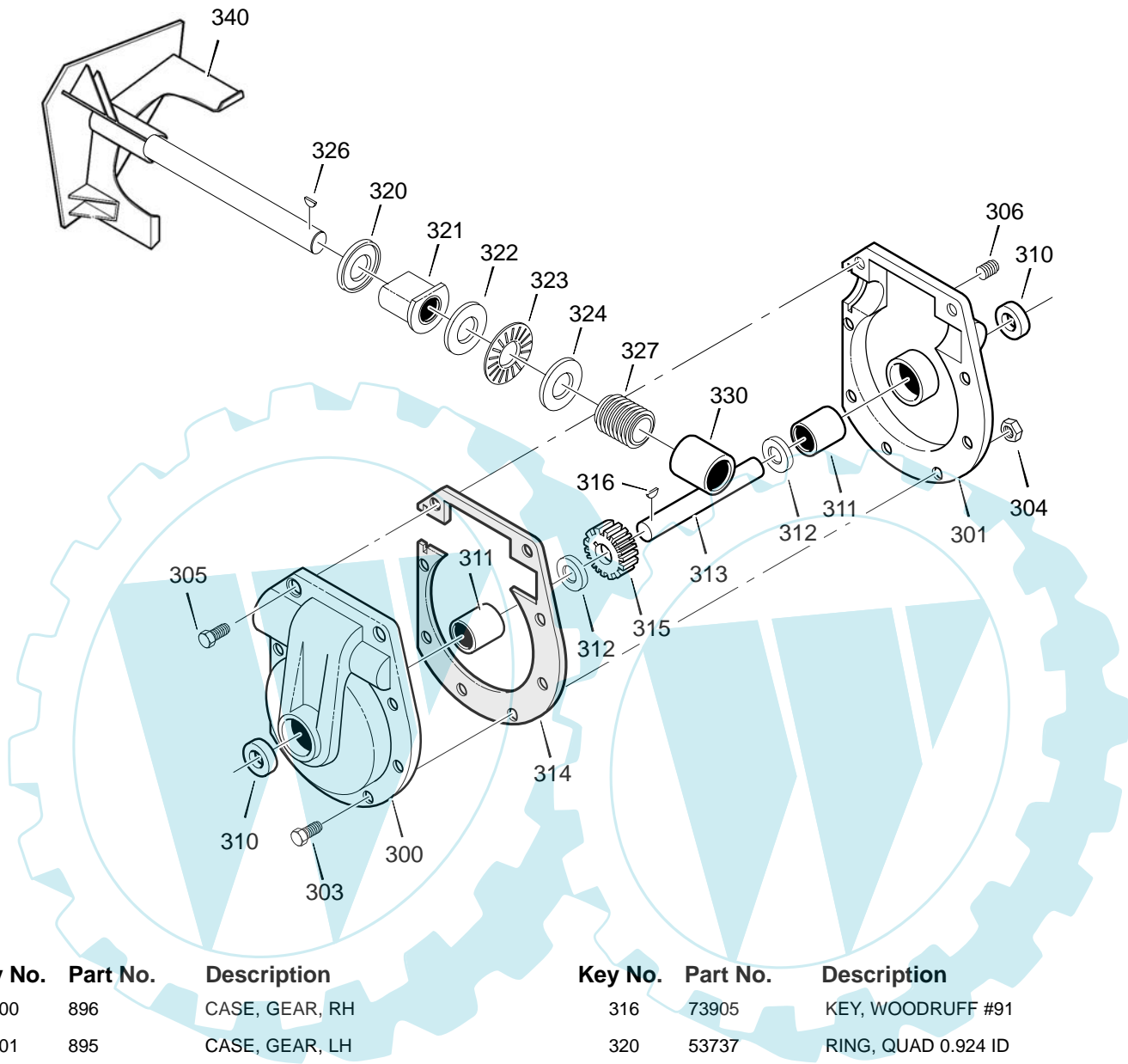
REPAIR PARTS AUGER HOUSING



Key No.	Part No.	Description
480	583146	PULLEY, 4L 8.40 OD
482	2001022	KEY, SQUARE 3/16 X 3/4
484	15x112	NUT, 1/2-20
485	1501158	SPACER, FRICTION PULLEY
490	582957 YZ	RETAINER, BALL BRNG
491	1501389	BEARING, BALL
493	001X92	BOLT, HEX 5/16-18X .50
499	710026	NUT, 5/16-18 HEXWDFLLK
500	1501132E012	HOUSING, ASSY
509	760040	PLUG, CHRISTMAS TREE
510	760661E701	BLADE, SCRAPER 29"
511	340720	BOLT, 5/16-18X.75
514	710026	NUT, 5/16-18
520	760603E701	AUGER, ASSY, LH
521	760604E701	AUGER, ASSY, RH
522	9524	BOLT, 1/4-20 x 1.75
523	3943	SPACER, SLEEVE
524	73826	NUT, 1/4-20
525	53757	BEARING,FLANGE
527	70984	SCREW, 5/16-18X .75
540	762376E701	SKID, HEIGHT ADJUST
541	340720	BOLT, 5/16-18 X .75
544	710026	NUT, 5/16-18
--	1501216	KIT, SHEAR BOLT

MODEL 627774x85A

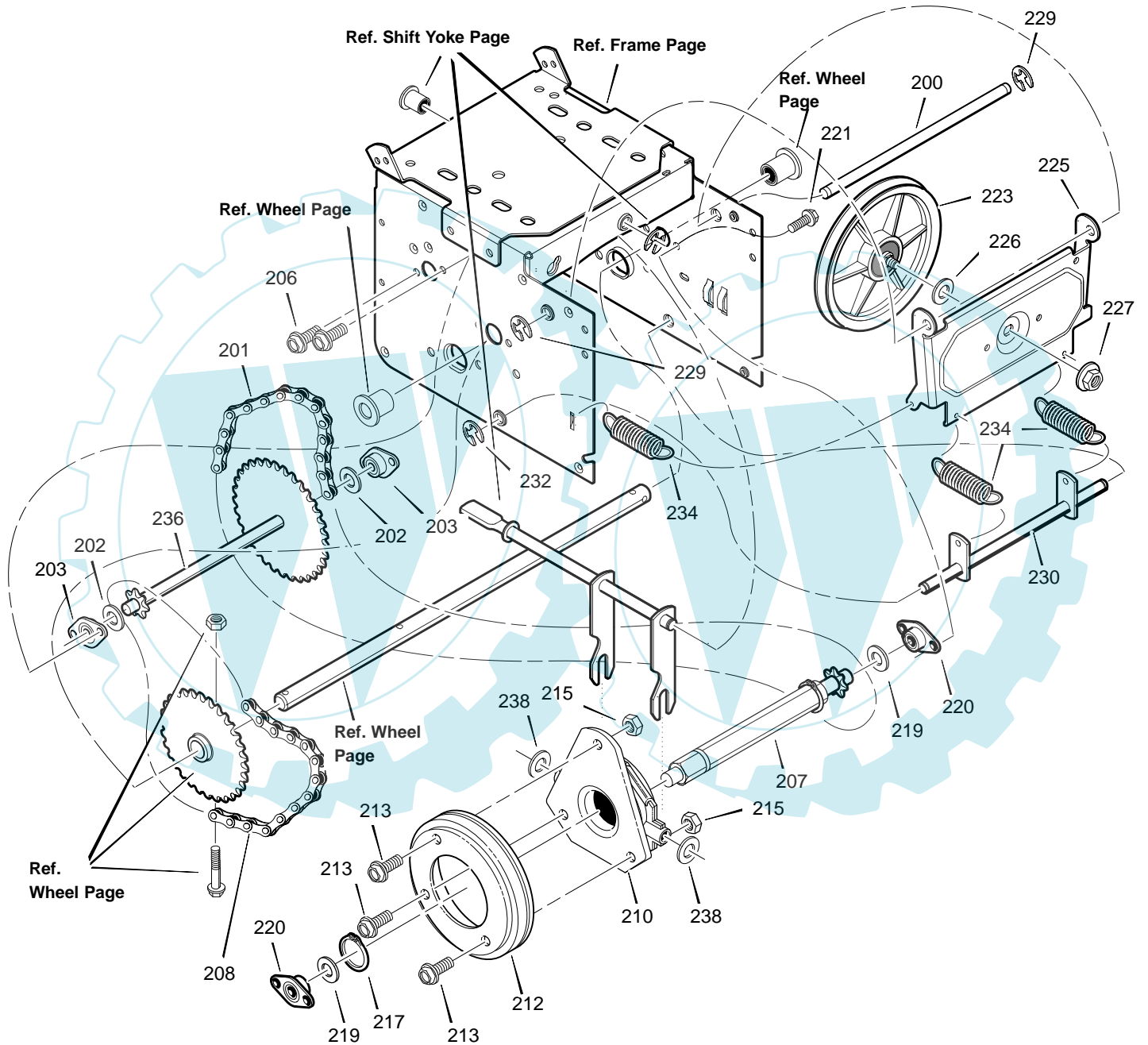
**REPAIR PARTS
GEAR CASE**



Key No.	Part No.	Description	Key No.	Part No.	Description
300	896	CASE, GEAR, RH	316	73905	KEY, WOODRUFF #91
301	895	CASE, GEAR, LH	320	53737	RING, QUAD 0.924 ID
303	910828	SCREW, 5/16-24 x 1.00	321	583126	BEARING, FLANGE
304	71100	NUT, 5/16-24	322	48275	WASHER, FLAT
305	330434	SCREW, 5/16-24 x 1.50	323	50684	BEARING, ROLLER
306	53749	PLUG, PIPE 0.25-18	324	48275	WASHER, FLAT
310	780151	SEAL, OIL	326	50795	KEY
311	53743	BEARING, SLEEVE	327	53732	WORM
312	53748	WASHER, FLAT	330	53731	BEARING, SLEEVE
313	760529	SHAFT, AUGER OUTPUT	340	1501147E701	IMPELLER
314	897	GASKET, GEAR BOX	—	333431	10oz TUBE LUBRIPLATE
315	53730	WORM GEAR			

MODEL 627774x85A

REPAIR PARTS
DRIVE



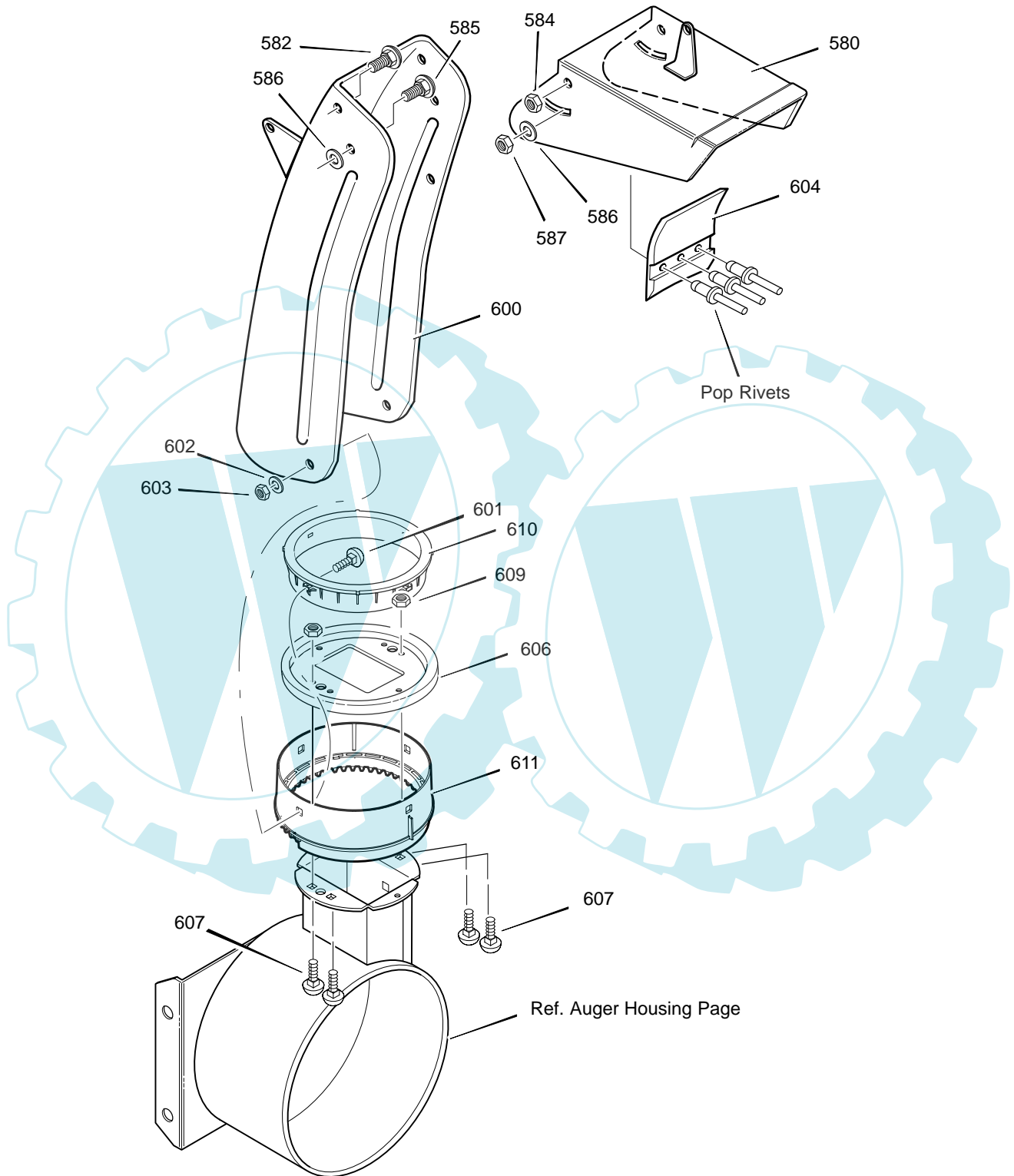
MODEL 627774x85A

**REPAIR PARTS
DRIVE**

Key No.	Part No.	Description
200	1501092 YZ	LF AXLE, SWING PLATE YZ
201	579851	CHAIN, ROLLER #420x19.00
202	579863	BEARING, BALL
203	334163	RETAINER, BEARING
204	579858	WASHER
206	780055	SCREW, TAP 5/16-18x0.5
207	15011101	ASSY, HEX SHAFT
208	579868	CHAIN, ROLLER #420x18.00 LG
210	337029	BEARING, TRUNION CLUTCH R
212	1501435	WHEEL, FRICTION DISC
213	001x38	BOLT
215	303008	NUT, KEPS HEX 1/4-20
217	579859	RING, RETEXT
218	579858	WASHER
219	579863	BEARING, BALL
220	579850	RETAINER, BEARING
221	780055	SCREW, TAP 5/16-18 x .5
223	1501115	FRICTION PULLEY
225	1501057 YZ	LF PLATE, SWINGING YZ
226	1501158	SPACER, FRICTION PULLEY
227	15X114	NUT, FLANGE LOCK 3/8-24
229	11X30	RETAINER, RING
230	1501107 YZ	LF ASSY, SPRING LINK YZ
232	11X30	RETAINER, RING
234	165X112	SPRING, EXTENSION
236	1501102	WLD, INTERMED SPROCKET 33T/7
238	71074	WASHER, FLAT

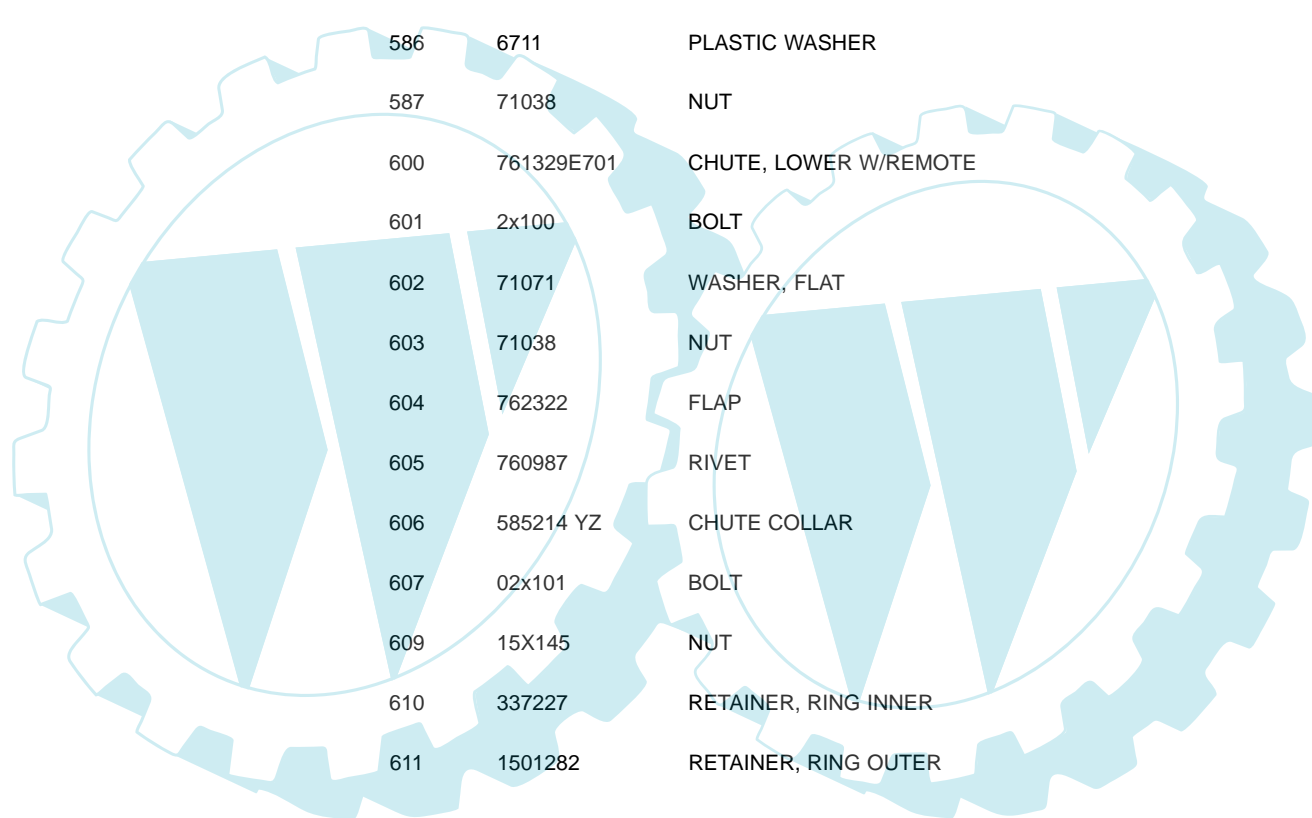
MODEL 627774x85A

**REPAIR PARTS
DISCHARGE CHUTE**



MODEL 627774x85A

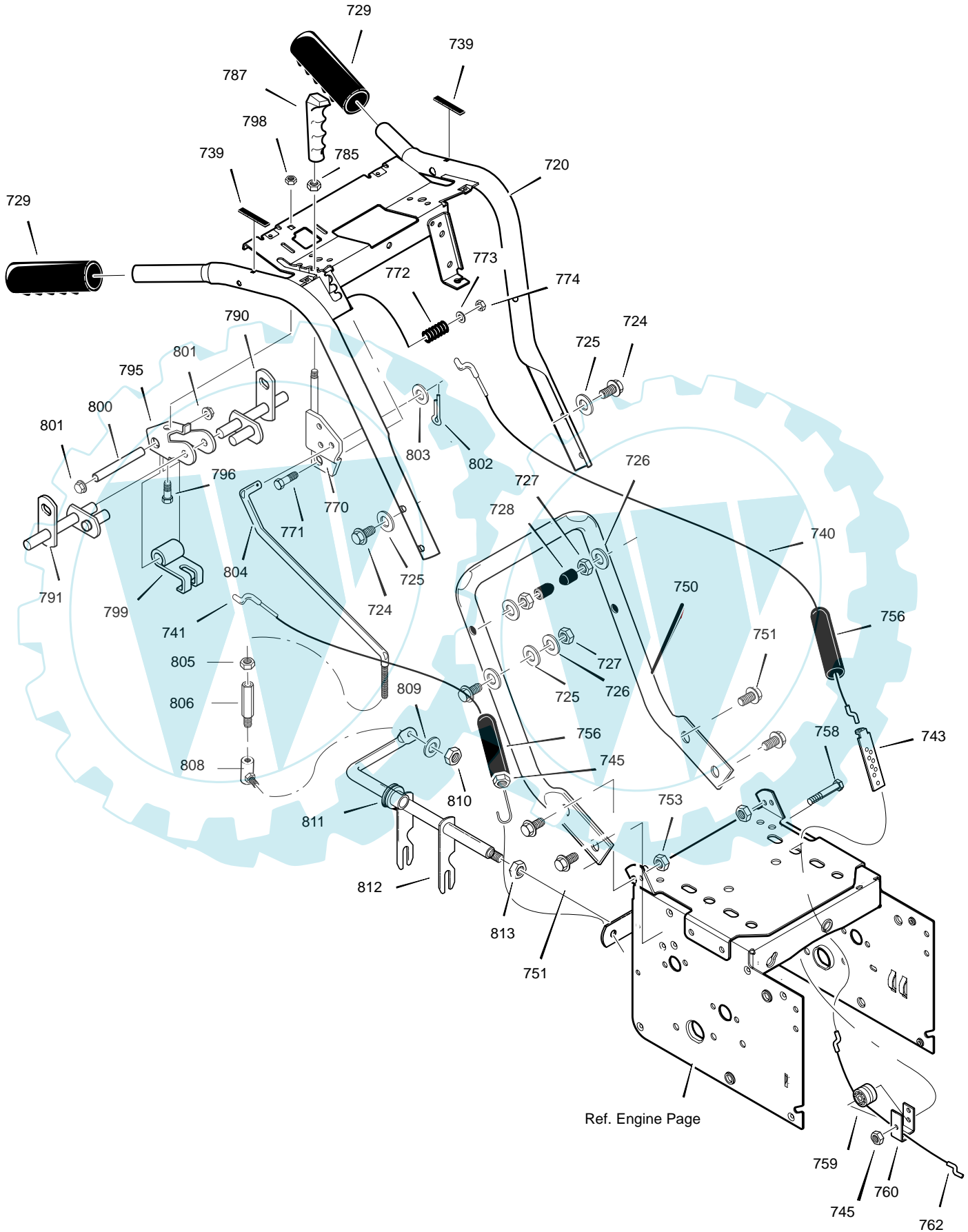
REPAIR PARTS DISCHARGE CHUTE



Key No.	Part No.	Description
580	761168E701	CHUTE, UPPER W/REMOTE
582	578088	SCREW, 5/16-18 X.75
584	71038	NUT
585	578088	SCREW, 5/16-18 X.75
586	6711	PLASTIC WASHER
587	71038	NUT
600	761329E701	CHUTE, LOWER W/REMOTE
601	2x100	BOLT
602	71071	WASHER, FLAT
603	71038	NUT
604	762322	FLAP
605	760987	RIVET
606	585214 YZ	CHUTE COLLAR
607	02x101	BOLT
609	15X145	NUT
610	337227	RETAINER, RING INNER
611	1501282	RETAINER, RING OUTER

MODEL 627774x85A

REPAIR PARTS
HANDLE ASSEMBLY



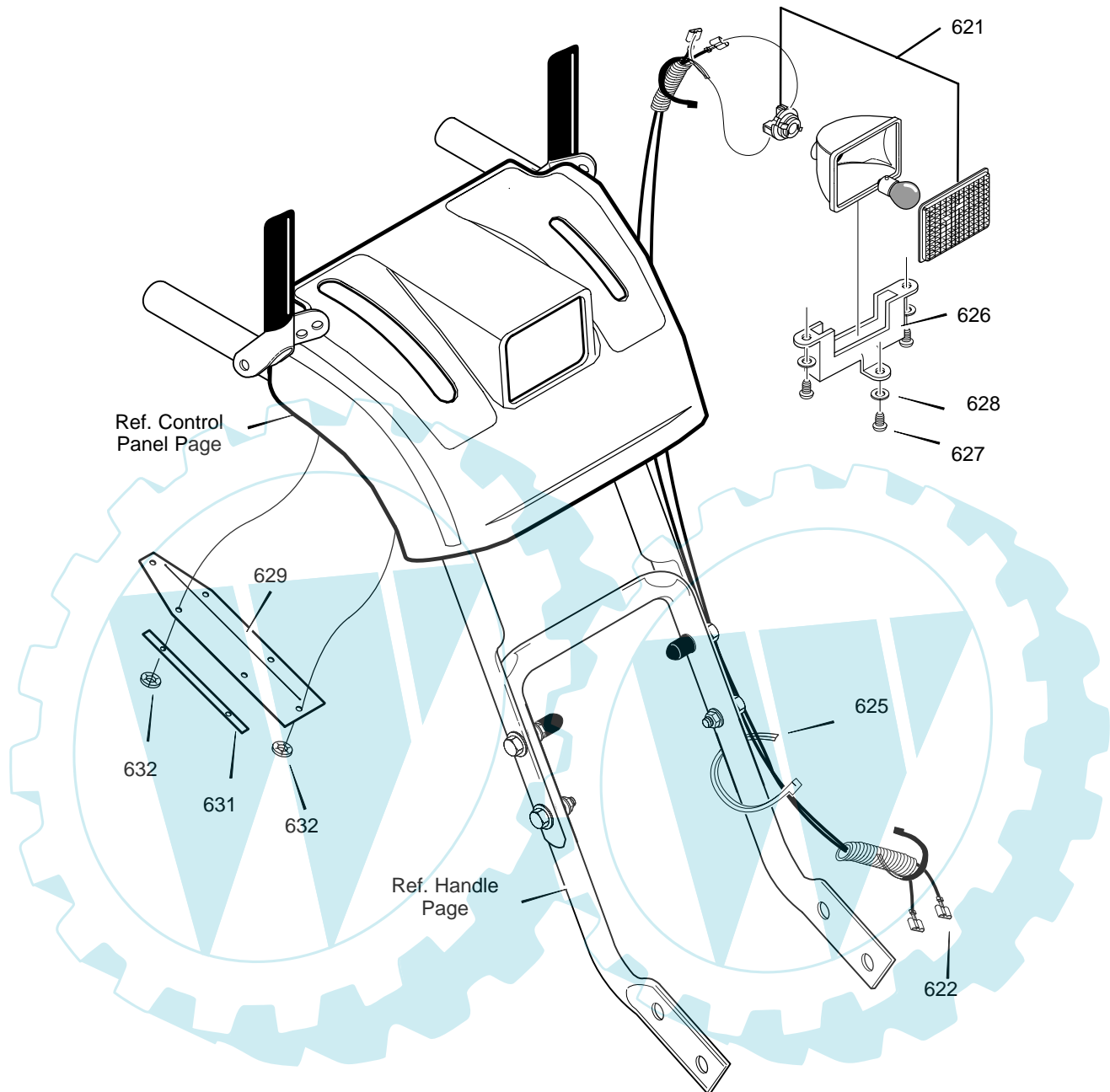
MODEL 627774x85A

REPAIR PARTS HANDLE ASSEMBLY

Key No.	Part No.	Description	Key No.	Part No.	Description
720	1501378E701	ASSY, HANDLE	773	71072	WASHER, FLAT
724	7288	SCREW	774	71046	NUT, HEX
725	71072	WASHER, FLAT	785	71045	NUT, HEX
726	71062	WASHER	787	306689	KNOB, SHIFT
727	71044	NUT	790	578926	ROD, ASSY LH
728	7289	STOP, PLASTIC	791	578924	ROD, ASSY RH
729	337399	GRIP, HANDLE	795	579002	BRACKET, CAM
739	4049	BUMPER	796	002x53	SCREW
740	1501124	CABLE, CLUTCH AUGER DR	798	71038	NUT, NYLOCK
741	761590	CABLE, AUGER CLUTCH	799	8417	CAM LOCK
743	313441	BRKT, CABLE ADJ	800	584673	PIN, SPRING PIVOT
744	1673	SPRING, CLUTCH	801	73664	NUT, PUSH ON
745	15x145	NUT, HEX	802	71081	PIN, COTTER
750	5543E701	HANDLE, LOWER	803	71071	FLATWASHER
751	25X021	SCREW	804	1501581	ROD, SPEED CTRL
758	001798	BOLT, HEX	805	71042	NUT, 5/16-18
759	579860	SPOOL, CABLE	806	6352	ADAPTER, ROD
760	1501059 YZ	BRKT, SPOOL	808	50782	BALLJOINT, STEEL
762	1501122	CABLE, DRIVE	809	71060	WASHER
765	308146	BOOT, CABLE	810	15X144	NUT, 5/16-18
770	1501570 YZ	BRACKET, SHIFT	811	579944	BEARING, FL
771	4058	SCREW	812	1501110 YZ	ROD, YOKE
772	50786	SPRING	813	11X30	RETAINER, RING

MODEL 627774x85A

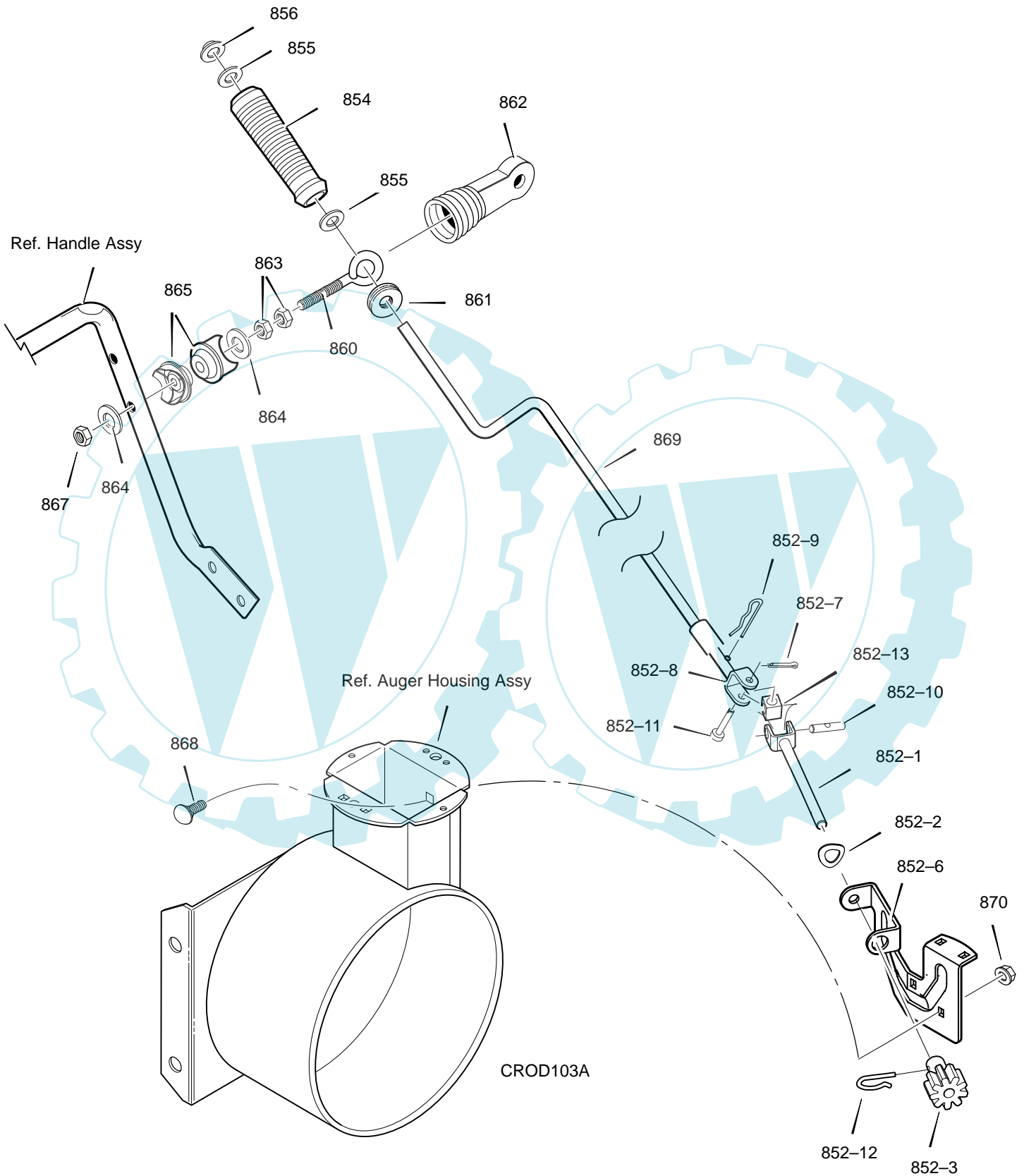
REPAIR PARTS
HEADLIGHT



Key No.	Part No.	Description
621	762343	LIGHT, HALOGEN
622	1501455	HARNESS, WIRE
625	071372	TIE, CABLE
626	578921	BRACKET, LIGHT
627	901696	SCREW #8 X .50
628	901736	WASHER, FLAT
629	1501401	COVER, SPEED LEVER
629	1501402	COVER, CHUTE LEVER
630	1501330	FRAME, SPEED LEVER
632	028x79	NUT, PUSH

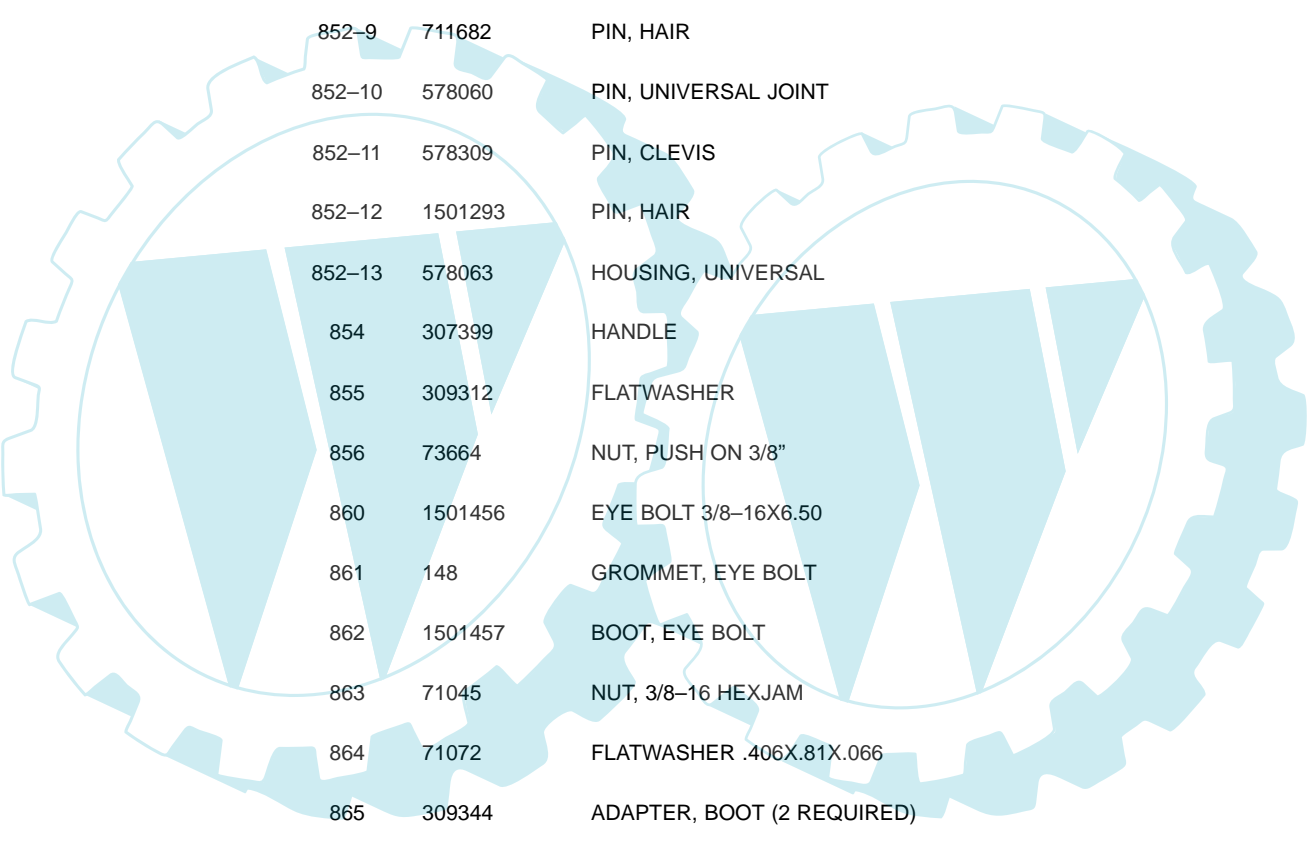
MODEL 627774x85A

REPAIR PARTS
CHUTE ROD



MODEL 627774x85A

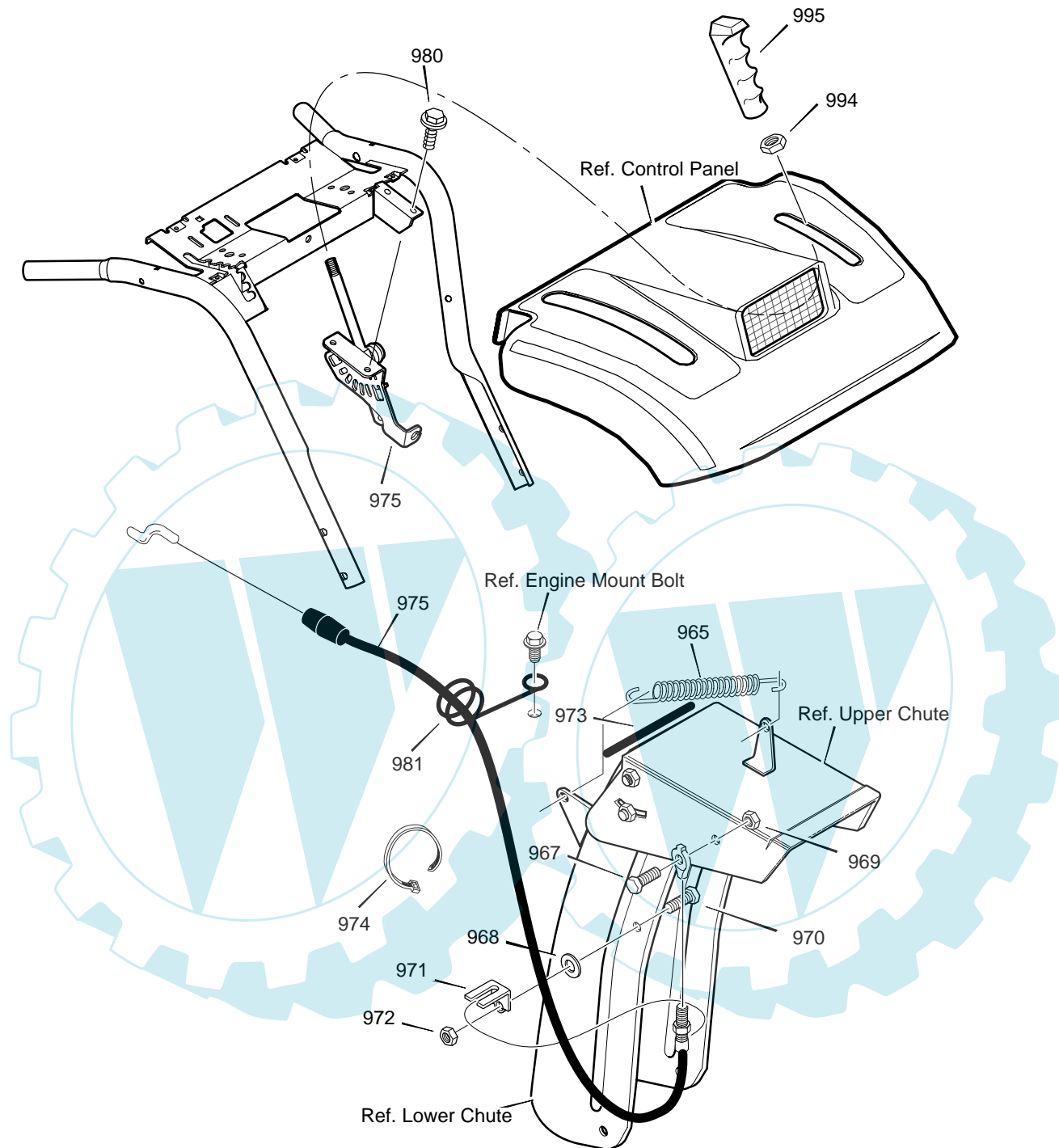
REPAIR PARTS CHUTE ROD



Key No.	Part No.	Description
852-1	1501309 YZ	ASSEMBLY, YOKE & ROD
852-2	313431	WASHER, CURVED SPRING
852-3	1501067	GEAR, CHUTE ROTATION 9T
852-6	1501306E701	BRACKET, GEAR MOUNT
852-7	579493	PIN, COTTER
852-8	1501075 YZ	ASSEMBLY, YOKE ADAPTER YZ
852-9	711682	PIN, HAIR
852-10	578060	PIN, UNIVERSAL JOINT
852-11	578309	PIN, CLEVIS
852-12	1501293	PIN, HAIR
852-13	578063	HOUSING, UNIVERSAL
854	307399	HANDLE
855	309312	FLATWASHER
856	73664	NUT, PUSH ON 3/8"
860	1501456	EYE BOLT 3/8-16X6.50
861	148	GROMMET, EYE BOLT
862	1501457	BOOT, EYE BOLT
863	71045	NUT, 3/8-16 HEXJAM
864	71072	FLATWASHER .406X.81X.066
865	309344	ADAPTER, BOOT (2 REQUIRED)
867	71046	NUT, 3/8-16 HEXNYL
868	002X98	BOLT, CARRIAGE 1/4-20 X 1.00
869	1501074 YZ	CRANK, ASSY CHUTE
870	15x145	NUT, 1/4-20 NYLOCK

MODEL 627774x85A

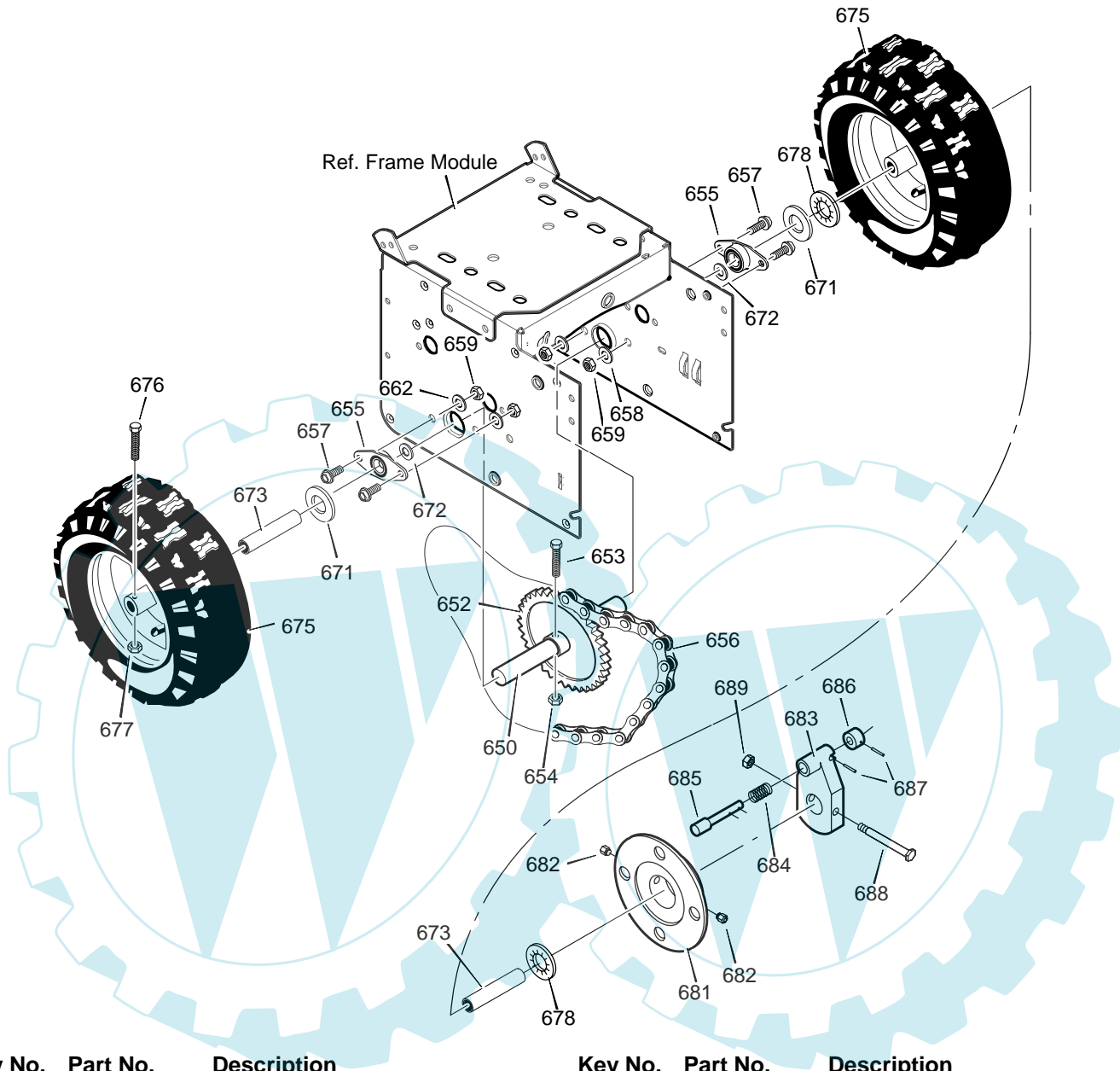
REPAIR PARTS
REMOTE CONTROL



Key No.	Part No.	Description	Key No.	Part No.	Description
965	318468	TENSION SPRING	974	071372	TIE, CABLE
967	310088	BOLT, SHOULDER	975	1501393	CABLE, CHUTE DEFLECTOR
968	73787	FLATWASHER	980	760858	SCREW
969	15x143	NUT	981	780220	WIRE FORM, CHUTE CABLE
970	313676	SCREW, 5/16-18 X 0.75	994	71045	NUT, 3/8-16
971	306447 YZ	BRACKET, CABLE CHUTE	995	306689	KNOB, SHIFT
972	71391	NUT, 5/16-18			
973	1001221	TRIM STRIP, BLACK			

MODEL 627774x85A

REPAIR PARTS
WHEELS



Key No.	Part No.	Description	Key No.	Part No.	Description
650	1501564	SHAFT, AXLE	677	15x145	NUT, 1/4-20 HEX NYLOCK
652	1501089	SPRKT & HUB	678	239	RING, RET
653	01x193	SCREW, 1/4-20X1.75	680	1501021	TIRE & RIM -LEFT
654	15x145	NUT, 1/4-20 HEX NYLOCK	681	1501032E	DISC, WHEEL
655	53266	RETAINER & BEARING ASSY	682	2001066	SCREW
657	71003	SCREW, 3/8"-16x.75	683	1501644	HUB, WHEEL LOCK
658	71062	WASHER, LOCK	684	164X34	SPRING, COMPRESSION *
659	71044	NUT, 3/8"-16	685	1501033 YZ	PIN, LOCK *
671	712120	WASHER, FLAT	686	1501034	KNOB *
673	1501138	BUSHING, WHEEL	687	032X79	PIN *
675	1501022	TIRE & RIM -RIGHT	688	73839	SCREW
676	577015	SCREW, 1/4-20X1.75 HH	689	15x116	NUT

18 * NOTE: These parts are included with Key number 683.