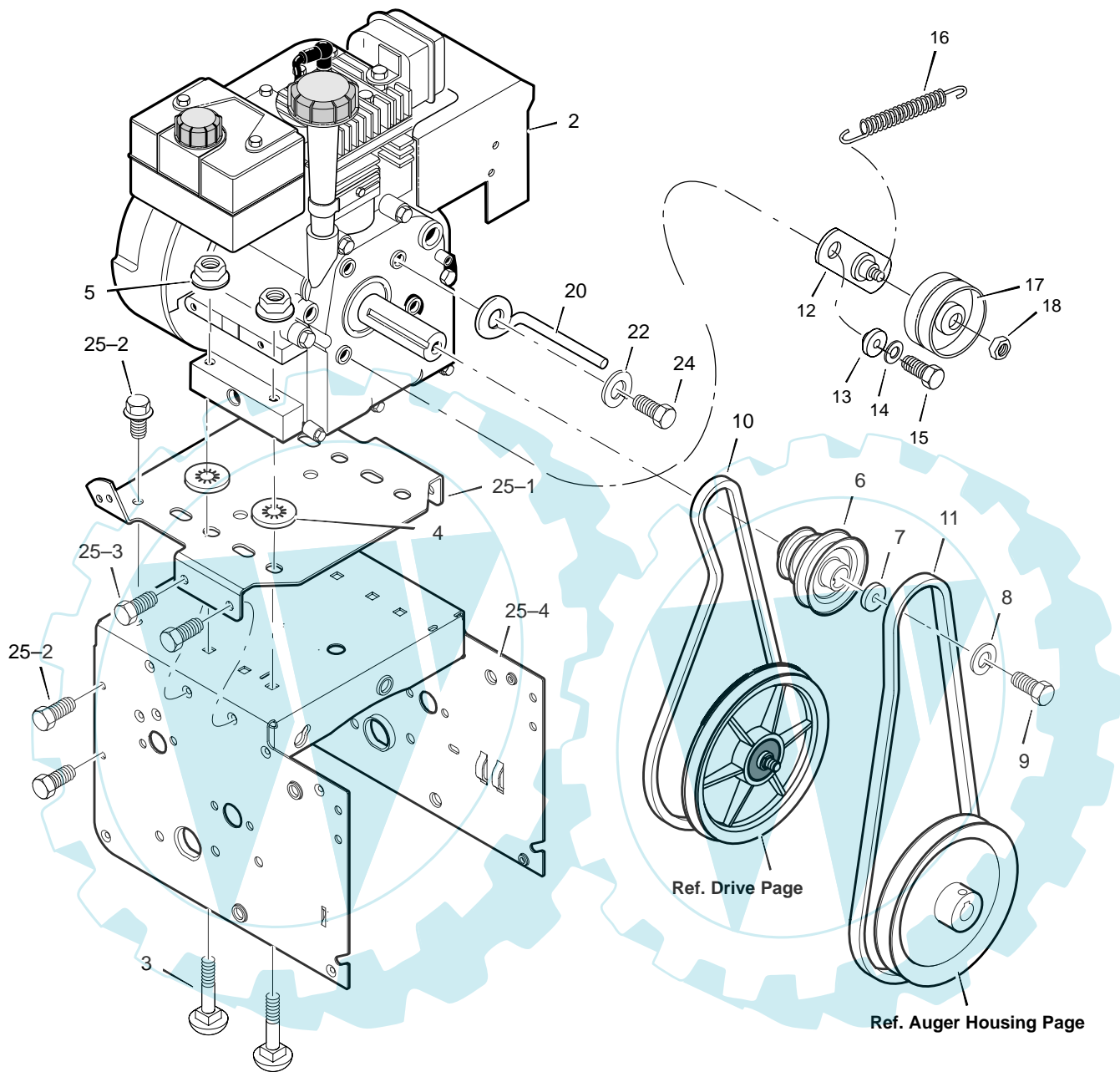


MODEL 624501x85A

REPAIR PARTS
ENGINE

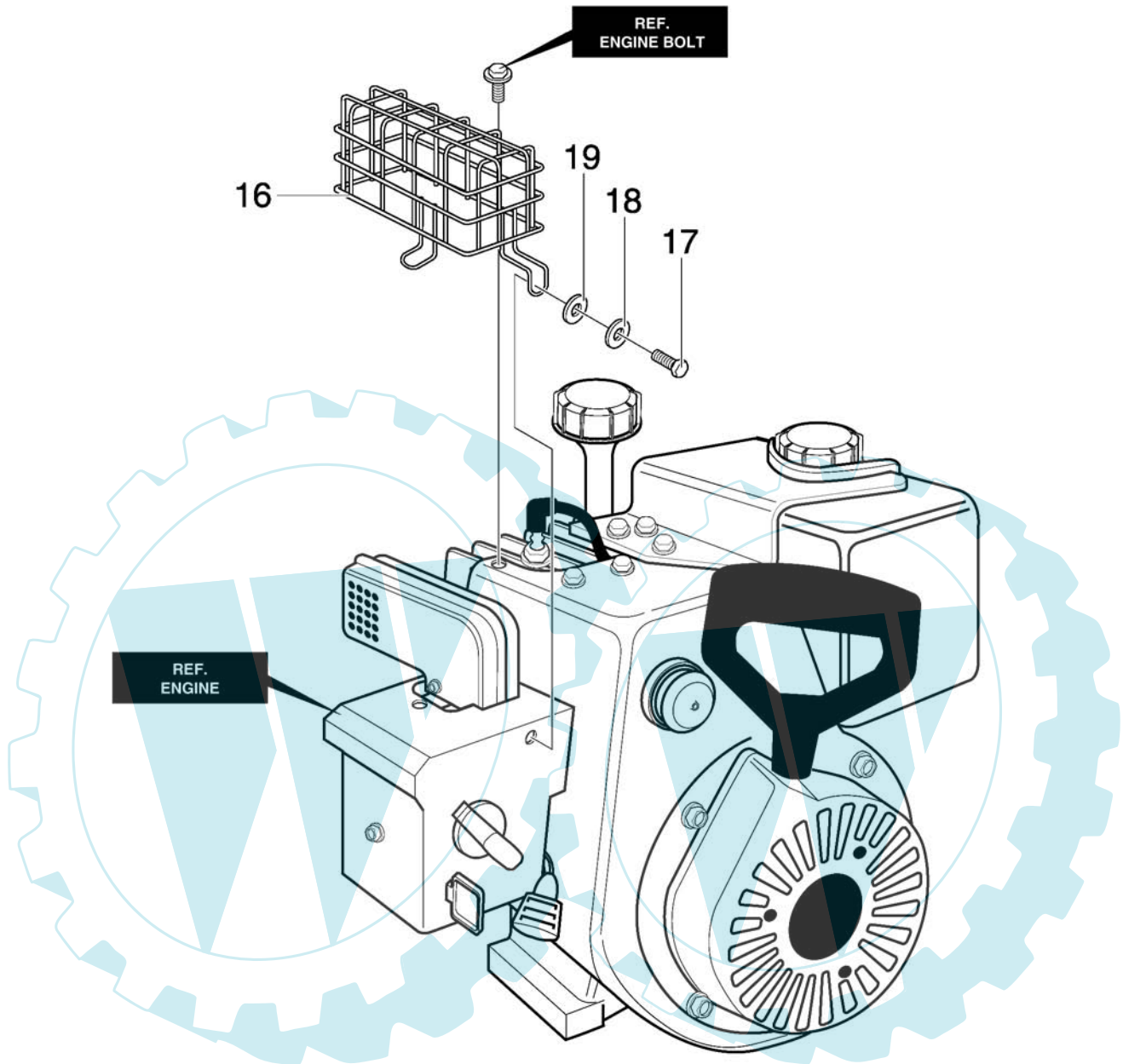


Key No.	Part No.	Description
2	—	ENGINE
3	002x97	BOLT, CARRIAGE 5/16-18
4	028x76	RETAINER, PUSH
5	710026	NUT 5/16-18
6	1501109	PULLEY, ENGINE
7	710247	WASHER
8	71063	WASHER .38ID
9	71015	SCREW, 3/8-24X1.00
10	579932	BELT, V 3L
11	585416	BELT, V 4L
12	1501112 YZ	BRACKET ASSEMBLY, IDLER
13	1501065	BUSHING, IDLER BRACKET
14	71060	WASHER, SPLIT

Key No.	Part No.	Description
15	710097	SCREW 5/16-24 X 0.75
16	53704	SPRING, IDLER TRACTION DRIVE
17	50793	PULLEY, IDLER
18	590	NUT, JAM 3/8-16
20	1501201	GUIDE, BELT
22	71060	WASHER .31X.58X.08
24	710097	SCREW, 5/16-24X .75
25	—	FRAME, MOTORBOX (5-11HP)
25-1	1501062E012	PLATE, ENGINE MOUNT
25-2	310169	SCREW, TAP 1/4-20 X .63
25-3	25x020	SCREW, TAP 5/16-18 X .50
25-4	1501049E012	FRAME, MOTOR BOX
—	F-031046L	OWNER'S MANUAL

MODEL 624501x85A

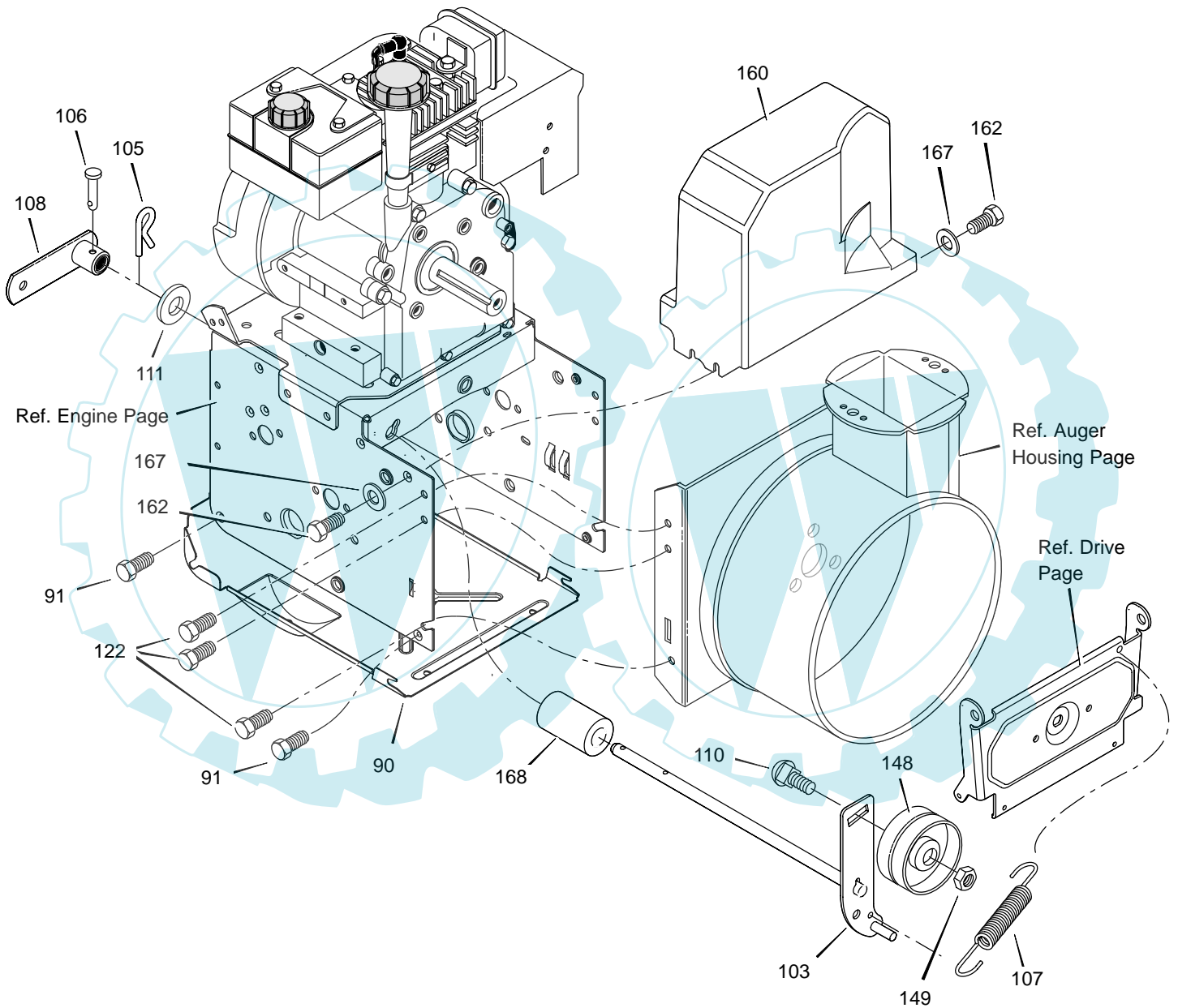
REPAIR PARTS
MUFFLER GUARD



Key No.	Part No.	Description
16	578934	GUARD, MUFFLER
17	304807	SCREW
18	304810	WASHER
19	304809	WASHER

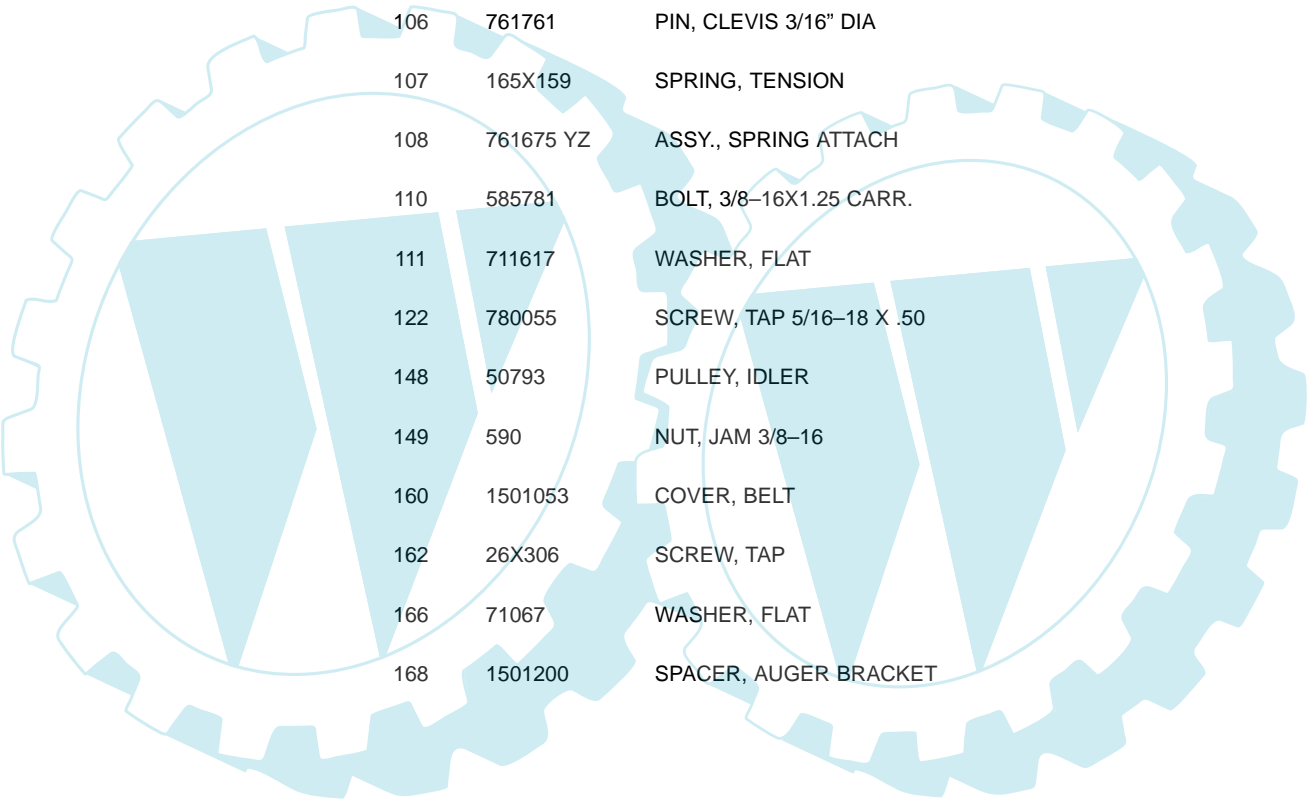
MODEL 624501x85A

REPAIR PARTS
FRAME



MODEL 624501x85A

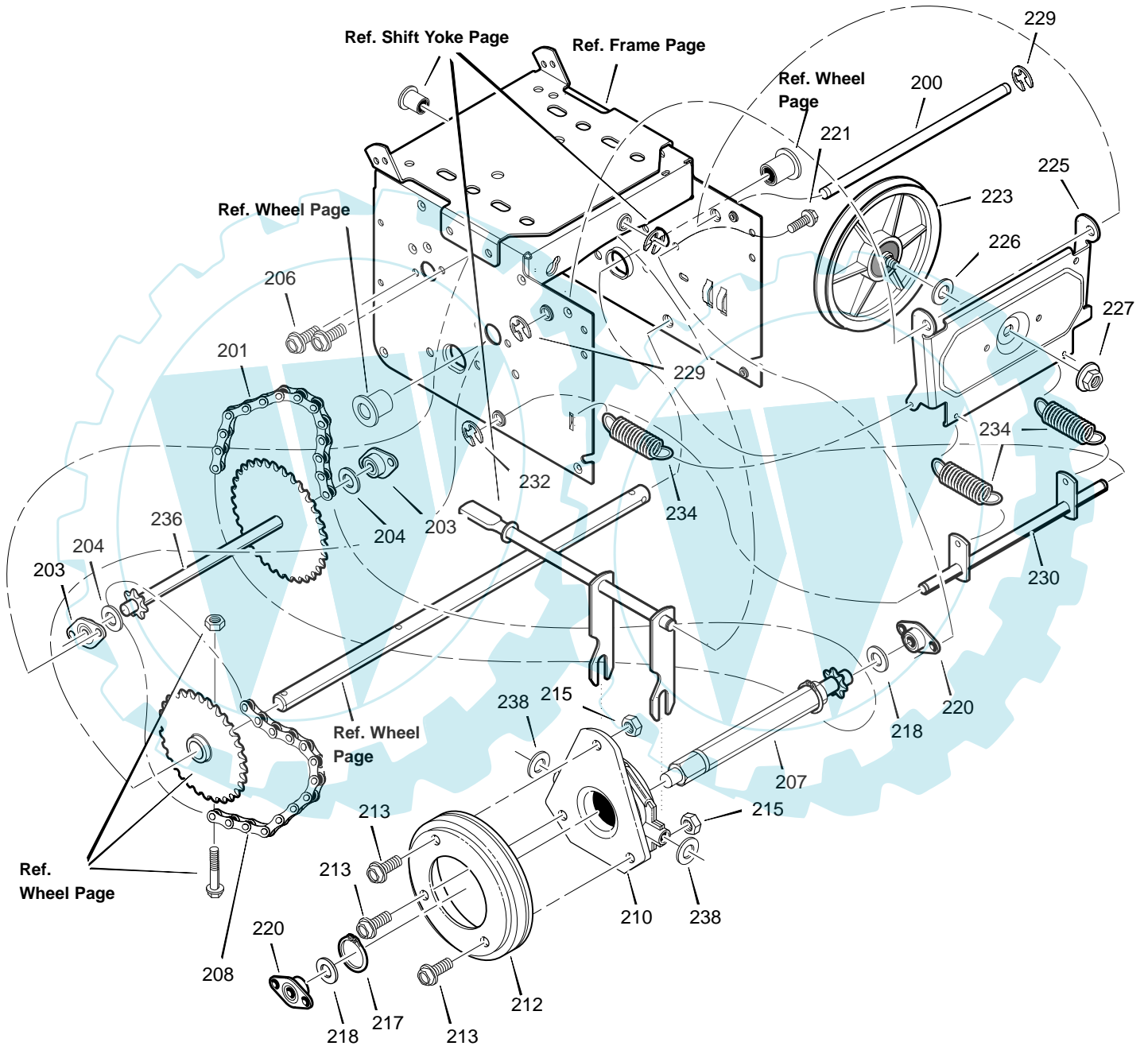
REPAIR PARTS FRAME



Key No.	Part No.	Description
90	1501055E701	COVER, BOTTOM
91	310169	SCREW, 1/4-20X .63
103	1501226 YZ	IDLER ASSEMBLY, AUGER
105	711682	PIN, HAIR .38DIAx1.64LG
106	761761	PIN, CLEVIS 3/16" DIA
107	165X159	SPRING, TENSION
108	761675 YZ	ASSY., SPRING ATTACH
110	585781	BOLT, 3/8-16X1.25 CARR.
111	711617	WASHER, FLAT
122	780055	SCREW, TAP 5/16-18 X .50
148	50793	PULLEY, IDLER
149	590	NUT, JAM 3/8-16
160	1501053	COVER, BELT
162	26X306	SCREW, TAP
166	71067	WASHER, FLAT
168	1501200	SPACER, AUGER BRACKET

MODEL 624501x85A

REPAIR PARTS
DRIVE



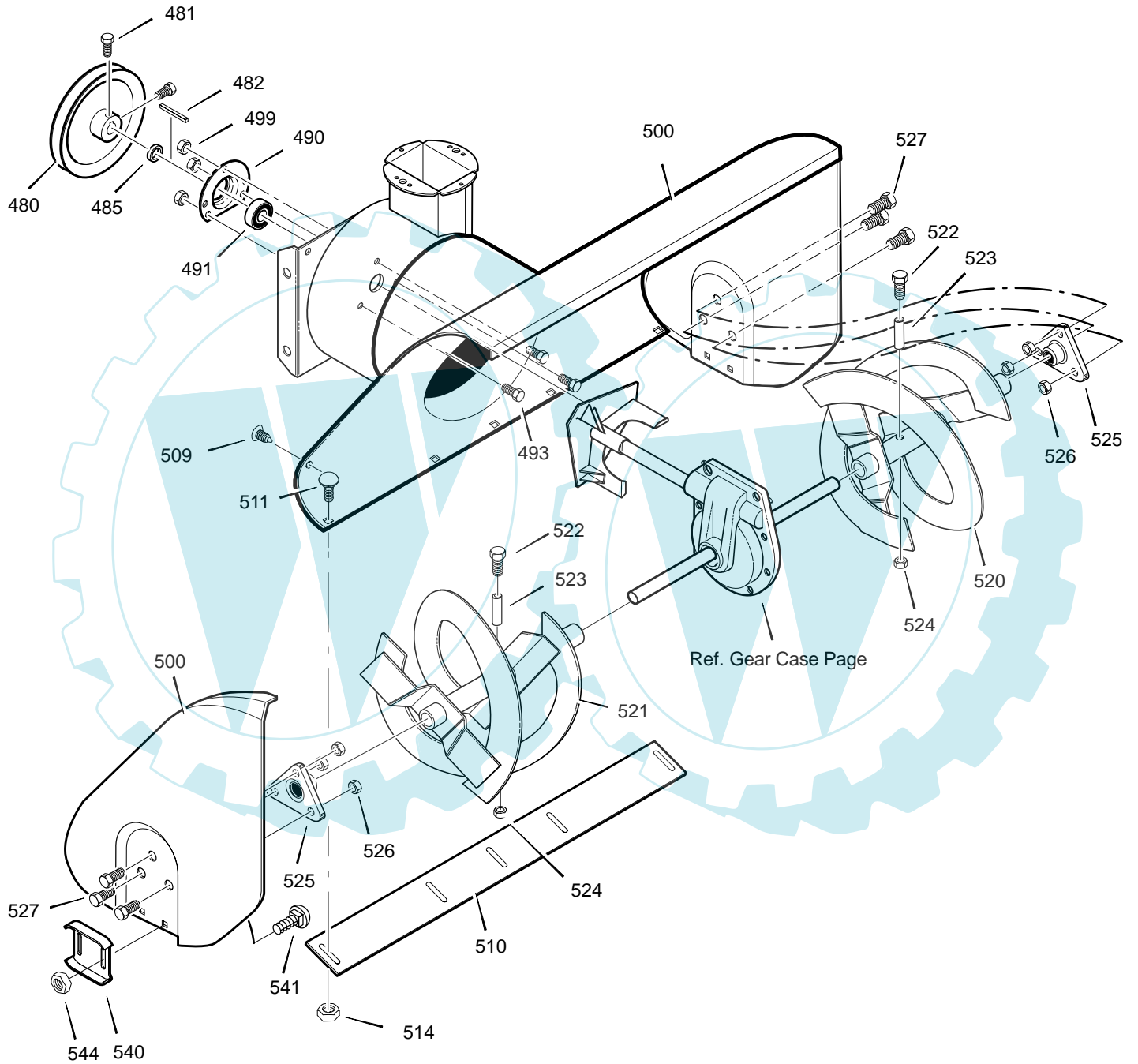
MODEL 624501x85A

**REPAIR PARTS
DRIVE**

Key No.	Part No.	Description
200	1501092 YZ	LF AXLE, SWING PLATE YZ
201	579851	CHAIN, ROLLER #420x19.00
203	334163	BEARING AND RETAINER, ASSY
204	579858	WASHER
206	780055	SCREW, TAP 5/16-18x0.5
207	1501236	ASSY, HEX SHAFT
208	579868	CHAIN, ROLLER #420x18.00 LG
210	337029	BEARING, TRUNION CLUTCH R
212	1501435	WHEEL, FRICTION DISC
213	001x38	BOLT
215	303008	NUT, KEPS HEX 1/4-20
217	579859	RING, RETEXT
218	579858	WASHER
220	334163	BEARING AND RETAINER, ASSY
221	780055	SCREW, TAP 5/16-18 x .5
223	1501115	FRICTION PULLY
225	1501057 YZ	LF PLATE, SWINGING YZ
226	1501158	SPACER, FRICTION PULLEY
227	15X114	NUT, FLANGE LOCK 3/8-24
229	11X30	RETAINER, RING
230	1501107 YZ	LF ASSY, SPRING LINK YZ
232	11X30	RETAINER, RING
234	165X112	SPRING, EXTENSION
236	1501237	WLD, INTERMED SPROCKET 33T/7
238	71074	WASHER, FLAT

MODEL 624501x85A

**REPAIR PARTS
AUGER HOUSING**



AUG100A

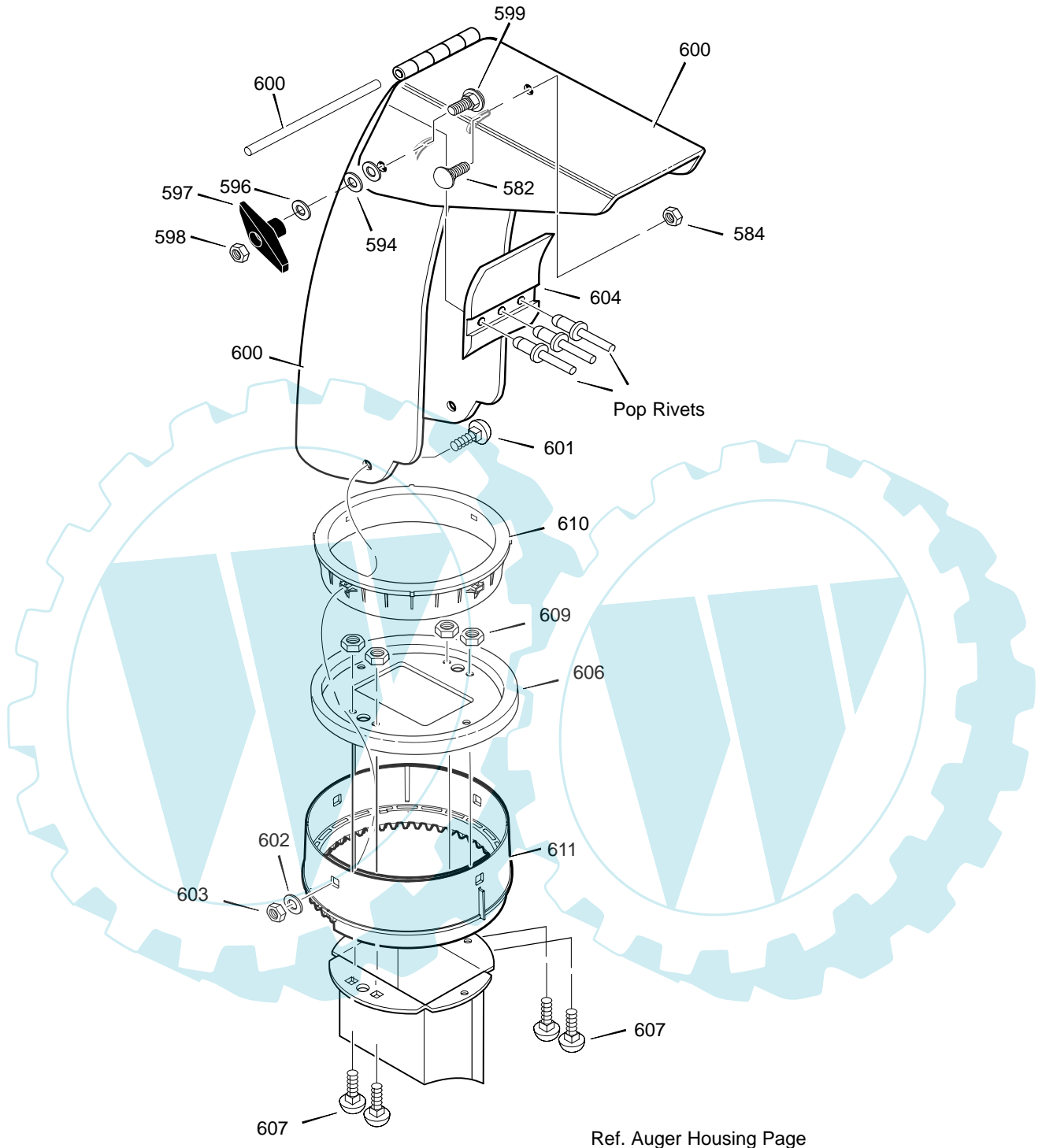
MODEL 624501x85A

REPAIR PARTS AUGER HOUSING

Key No.	Part No.	Description
480	1501211	PULLEY, 4L 8.4 X .67 HYBRID
481	577400	SCREW, 5/16-18 x .62
482	2001022	KEY, SQUARE 3/16 X 3/4
485	1501158	SPACER, FRICTION PULLEY
490	582957 YZ	RETAINER, BALL BRNG
491	1501389	BEARING, BALL
493	001X92	BOLT, HEX 5/16-18X .50
499	710026	NUT, 5/16-18 HEXWDFLLK
500	1501184E012	HOUSING, ASSY
509	760040	PLUG, CHRISTMAS TREE
510	760662E701	BLADE, SCRAPER
511	340720	BOLT, 5/16-18X.75
514	710026	NUT, 5/16-18
520	1401441E701	AUGER, ASSY, LH
521	1501440E701	AUGER, ASSY, RH
522	9524	SCREW, 1/4-20X1.75
523	3943	SPACER, SLEEVE
524	73826	NUT, 1/4-20
525	9517	BEARING, FLANGE
526	711862	NUT, 5/16-18
527	9357	SCREW, 5/16-18X .75
540	7309016E701	SKID, HEIGHT ADJUST
541	340720	BOLT, 5/16-18 X .75
544	710026	NUT, 5/16-18
--	1501216	KIT, SHEAR BOLT

MODEL 624501x85A

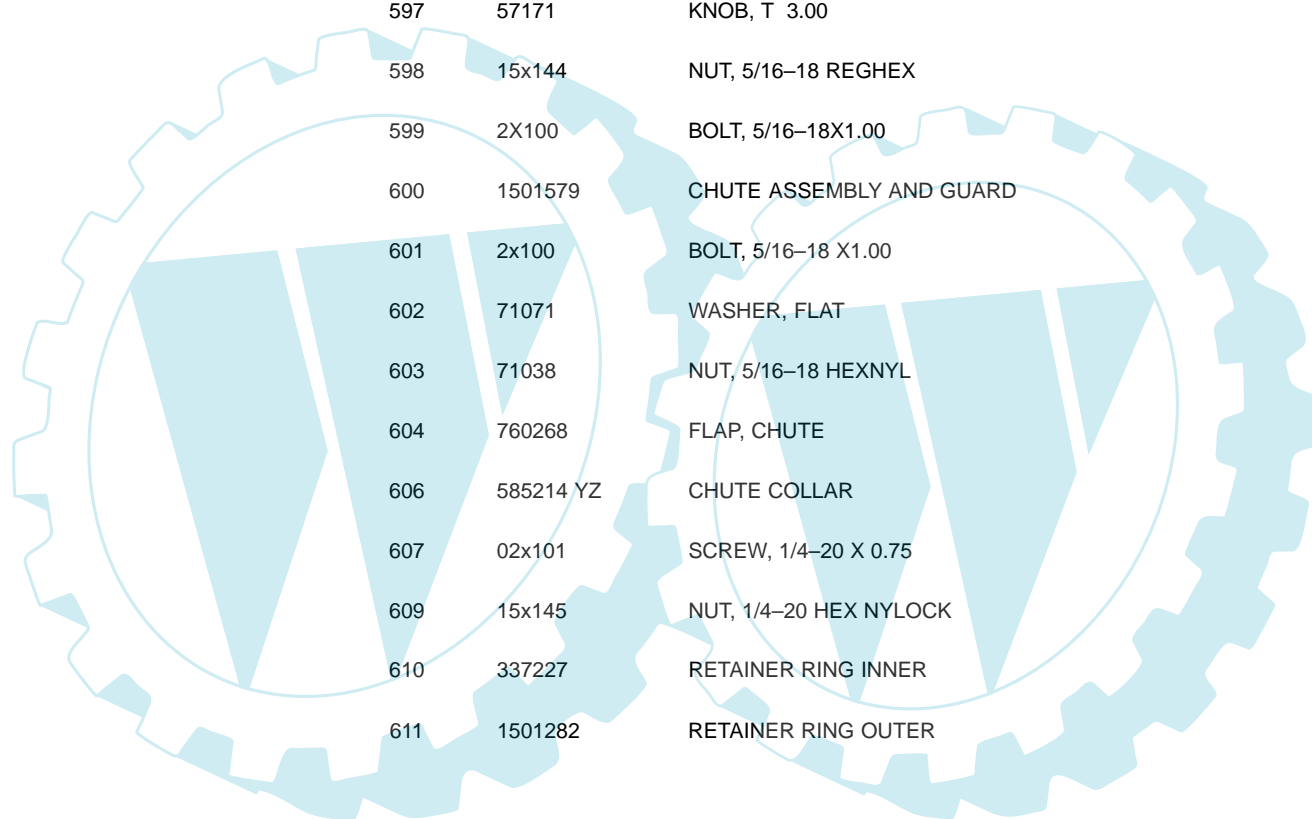
REPAIR PARTS
DISCHARGE CHUTE



Ref. Auger Housing Page

MODEL 624501x85A

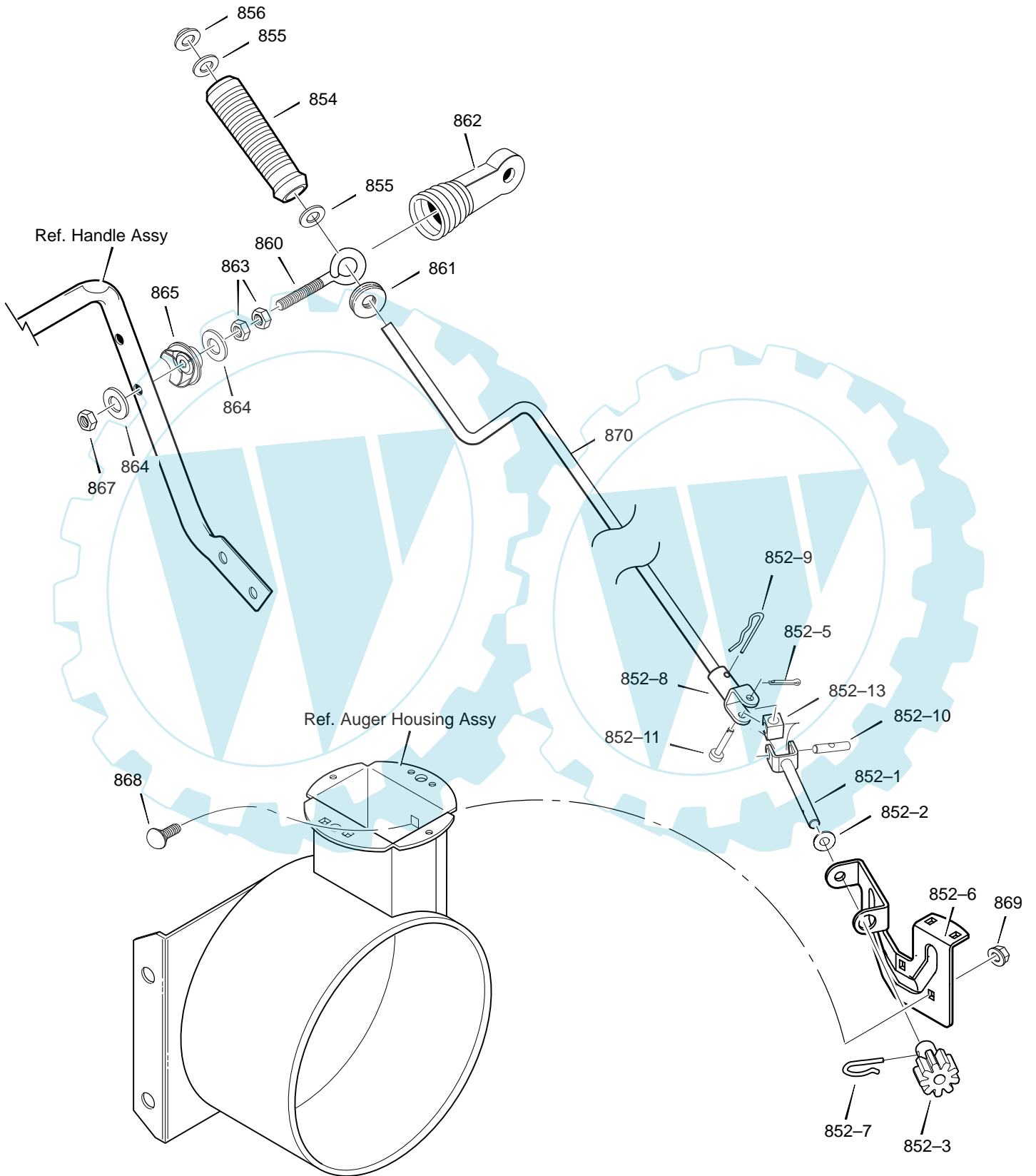
REPAIR PARTS DISCHARGE CHUTE



Key No.	Part No.	Description
582	2X100	BOLT, CARRIAGE 5/16-18 X.75
584	71038	NUT, 5/16-18 REGHEX NYLOCK
594	71071	WASHER, FLAT
596	71071	WASHER, FLAT
597	57171	KNOB, T 3.00
598	15x144	NUT, 5/16-18 REGHEX
599	2X100	BOLT, 5/16-18X1.00
600	1501579	CHUTE ASSEMBLY AND GUARD
601	2x100	BOLT, 5/16-18 X1.00
602	71071	WASHER, FLAT
603	71038	NUT, 5/16-18 HEXNYL
604	760268	FLAP, CHUTE
606	585214 YZ	CHUTE COLLAR
607	02x101	SCREW, 1/4-20 X 0.75
609	15x145	NUT, 1/4-20 HEX NYLOCK
610	337227	RETAINER RING INNER
611	1501282	RETAINER RING OUTER

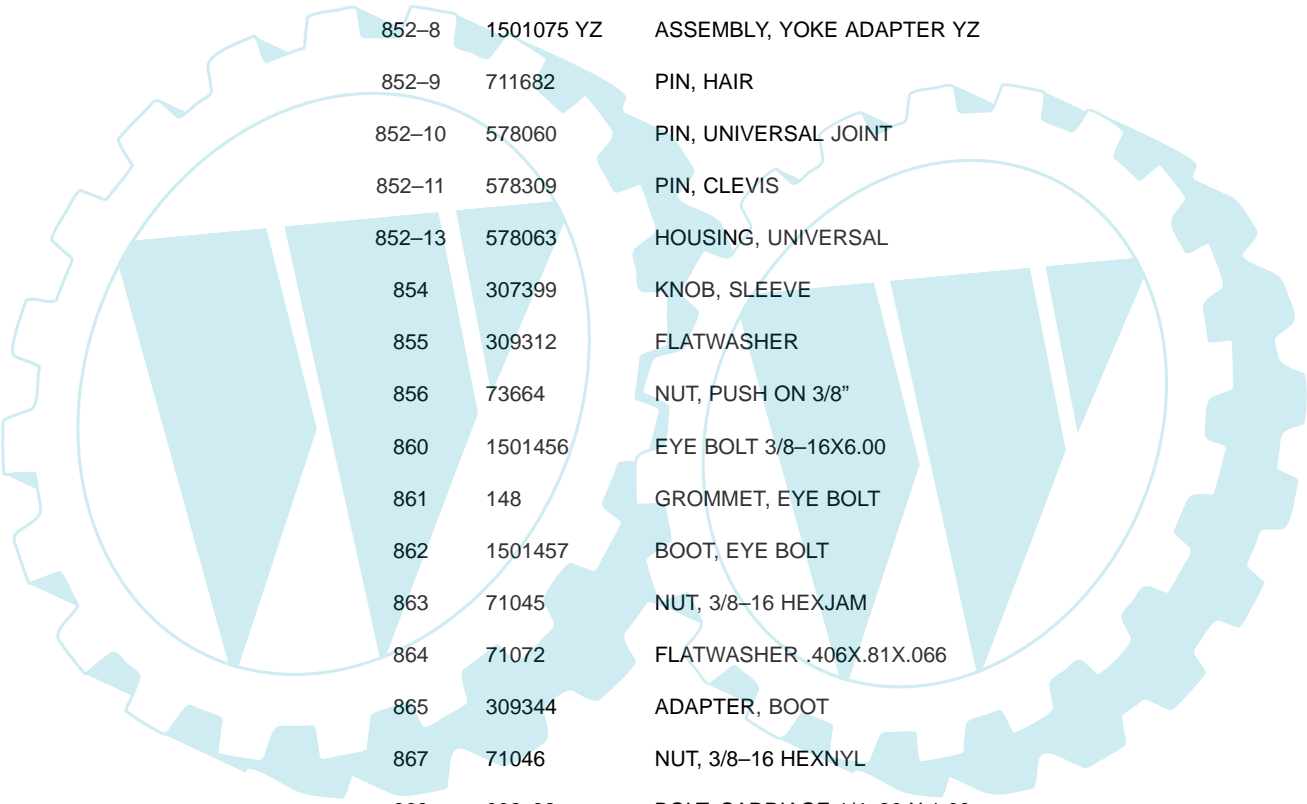
MODEL 624501x85A

REPAIR PARTS
CHUTE ROD



MODEL 624501x85A

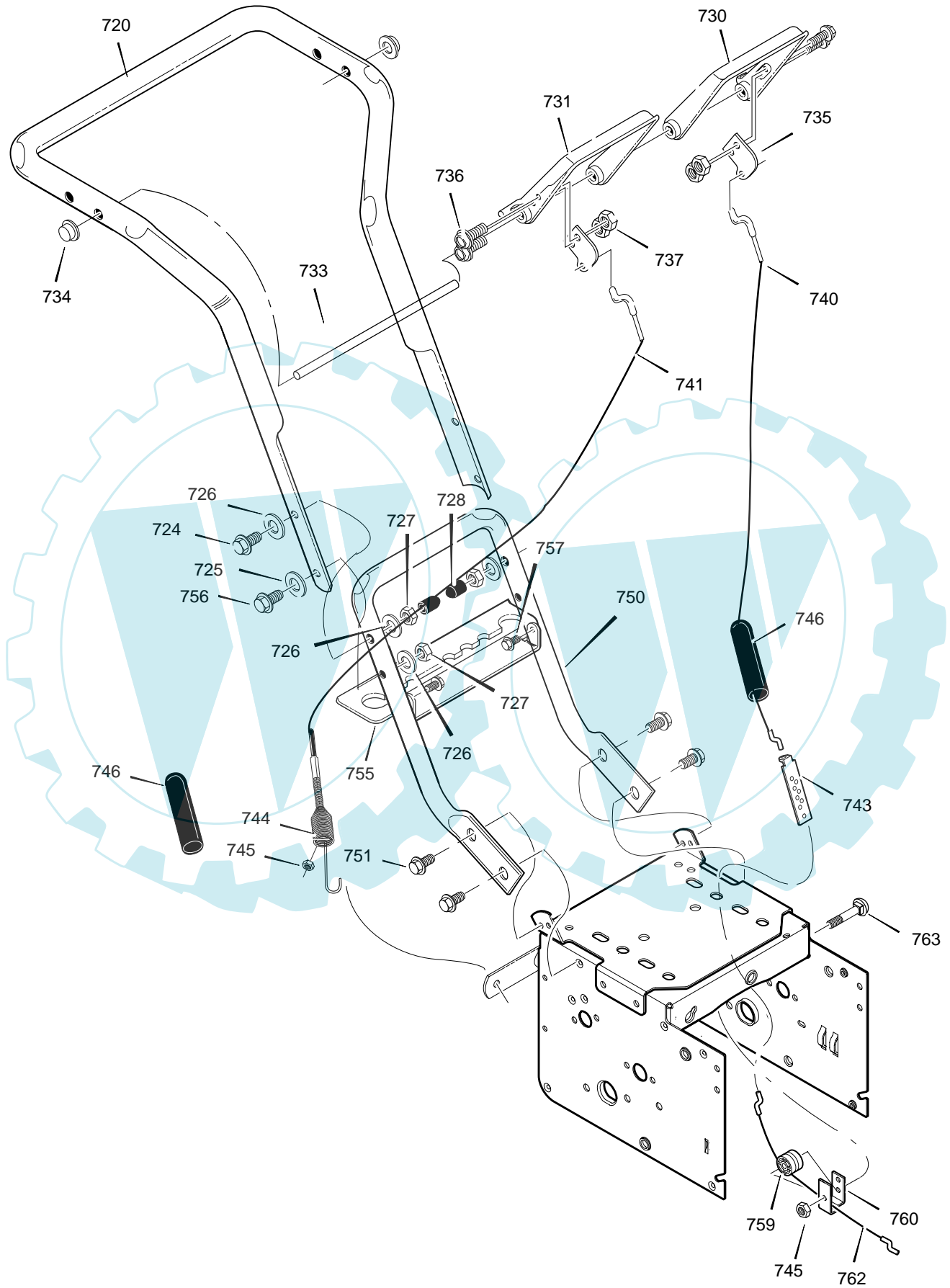
**REPAIR PARTS
CHUTE ROD**



Key No.	Part No.	Description
852-1	1501309 YZ	ASSEMBLY, YOKE & ROD
852-2	313431	WASHER, CURVED SPRING
852-3	1501067	GEAR, CHUTE ROTATION 9T
852-5	579493	PIN, COTTER
852-6	1501306E717	BRACKET, CHUTE GEAR
852-7	1501293	PIN, HAIR
852-8	1501075 YZ	ASSEMBLY, YOKE ADAPTER YZ
852-9	711682	PIN, HAIR
852-10	578060	PIN, UNIVERSAL JOINT
852-11	578309	PIN, CLEVIS
852-13	578063	HOUSING, UNIVERSAL
854	307399	KNOB, SLEEVE
855	309312	FLATWASHER
856	73664	NUT, PUSH ON 3/8"
860	1501456	EYE BOLT 3/8-16X6.00
861	148	GROMMET, EYE BOLT
862	1501457	BOOT, EYE BOLT
863	71045	NUT, 3/8-16 HEXJAM
864	71072	FLATWASHER .406X.81X.066
865	309344	ADAPTER, BOOT
867	71046	NUT, 3/8-16 HEXNYL
868	002x98	BOLT, CARRIAGE 1/4-20 X 1.00
869	15x145	NUT, 1/4-20
870	1501074 YZ	CRANK, ASSY CHUTE

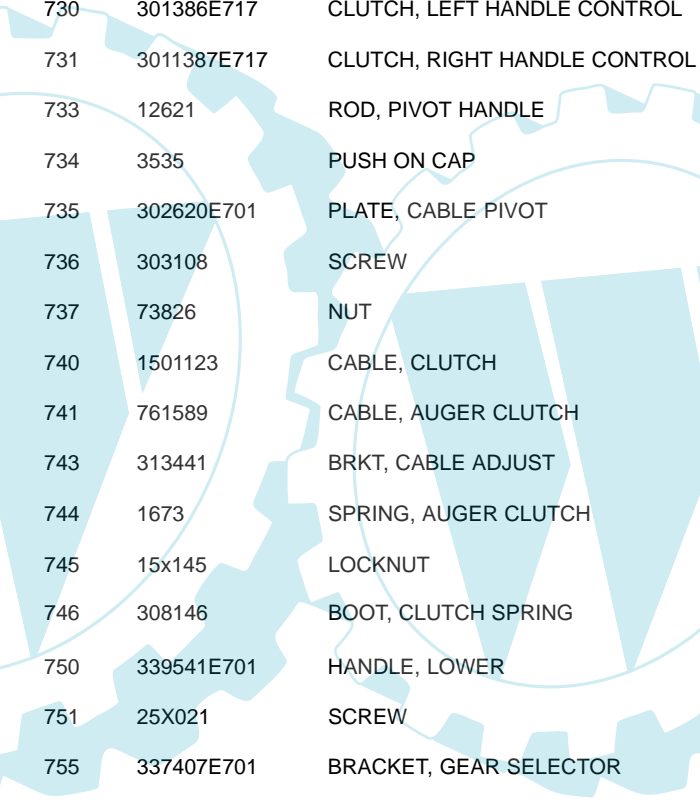
MODEL 624501x85A

REPAIR PARTS
HANDLE ASSEMBLY



MODEL 624501x85A

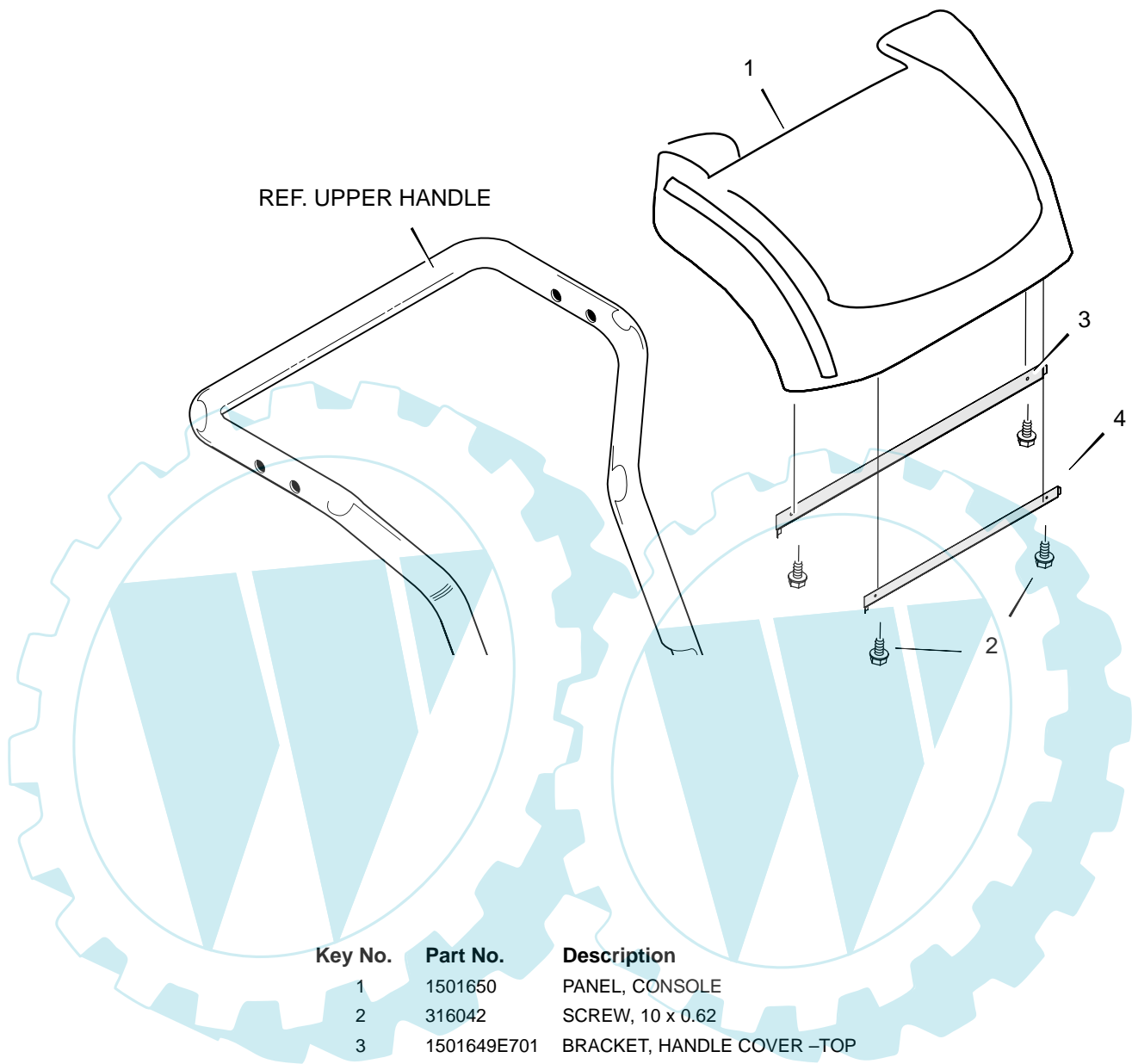
REPAIR PARTS HANDLE ASSEMBLY



Key No.	Part No.	Description
720	321835E701	HANDLE
724	11234	SCREW
725	71071	WASHER, FLAT
726	71060	WASHER
727	15x144	NUT
728	11261	PLASTIC-STOP
730	301386E717	CLUTCH, LEFT HANDLE CONTROL
731	3011387E717	CLUTCH, RIGHT HANDLE CONTROL
733	12621	ROD, PIVOT HANDLE
734	3535	PUSH ON CAP
735	302620E701	PLATE, CABLE PIVOT
736	303108	SCREW
737	73826	NUT
740	1501123	CABLE, CLUTCH
741	761589	CABLE, AUGER CLUTCH
743	313441	BRKT, CABLE ADJUST
744	1673	SPRING, AUGER CLUTCH
745	15x145	LOCKNUT
746	308146	BOOT, CLUTCH SPRING
750	339541E701	HANDLE, LOWER
751	25X021	SCREW
755	337407E701	BRACKET, GEAR SELECTOR
756	6751	SCREW, .31-18 x 2.00
757	310169	SCREW, 1/4-20 X 0.63
759	579860	SPOOL-CABLE, AUGRT CLUTCH
760	1501059 YZ	BRACKET, CABLE SPOOL YZ
762	1501122	CABLE, LOWER DRIVE 12"
763	001798	BOLT, HEX 1/4-20 X 1.50 YZ

MODEL 624501x85A

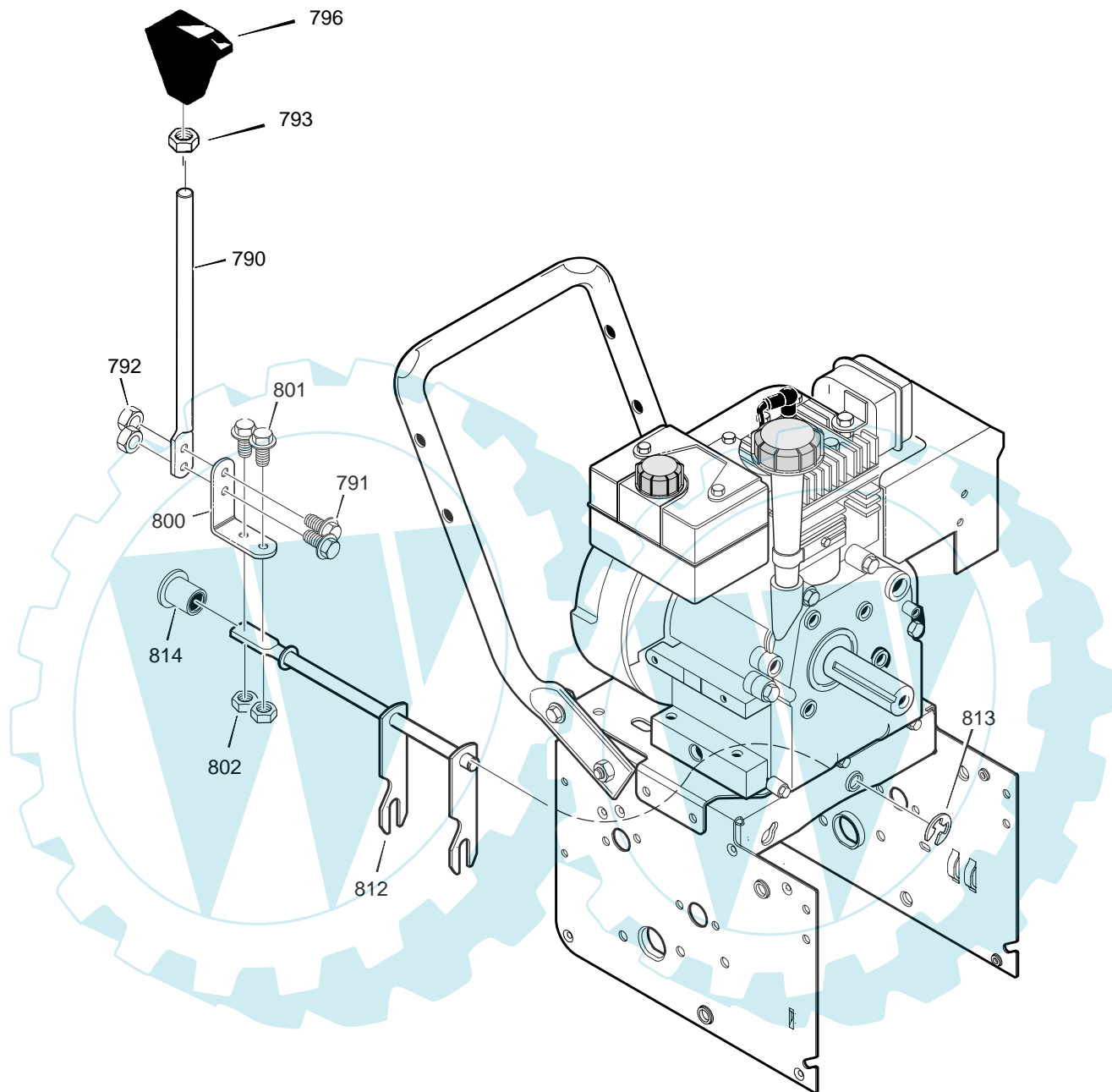
REPAIR PARTS



Key No.	Part No.	Description
1	1501650	PANEL, CONSOLE
2	316042	SCREW, 10 x 0.62
3	1501649E701	BRACKET, HANDLE COVER -TOP
4	1501648E701	BRACKET, HANDLE COVER -BOTTOM

MODEL 624501x85A

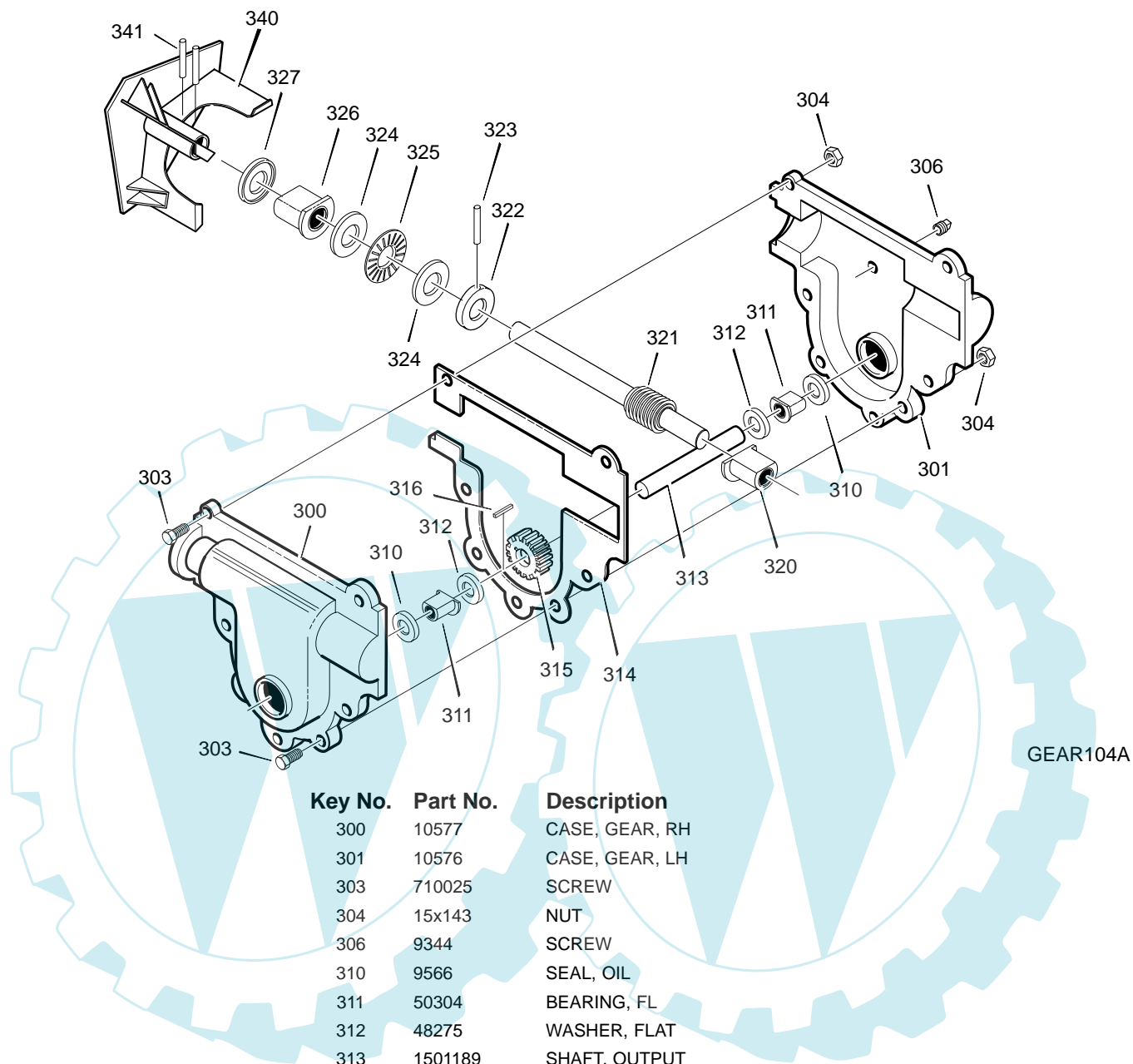
REPAIR PARTS
SHIFT YOKE



Key No.	Part No.	Description
790	581631E7101	ROD, SHIFT
791	302628	SCREW, 1/4-20X.75
792	73826	NUT, 1/4-20
793	318486	NUT, JAM
796	304438	KNOB
800	760564	LEVER, SPRING
801	302628	SCREW, 1/4-20X.75
802	73826	NUT, 1/4-20
811	579944	BEARING, FLANGED
812	1501085 YZ	ROD ASSY., SPEED SELECT
813	11X30	RETAINER, RING

MODEL 624501x85A

REPAIR PARTS
GEAR CASE

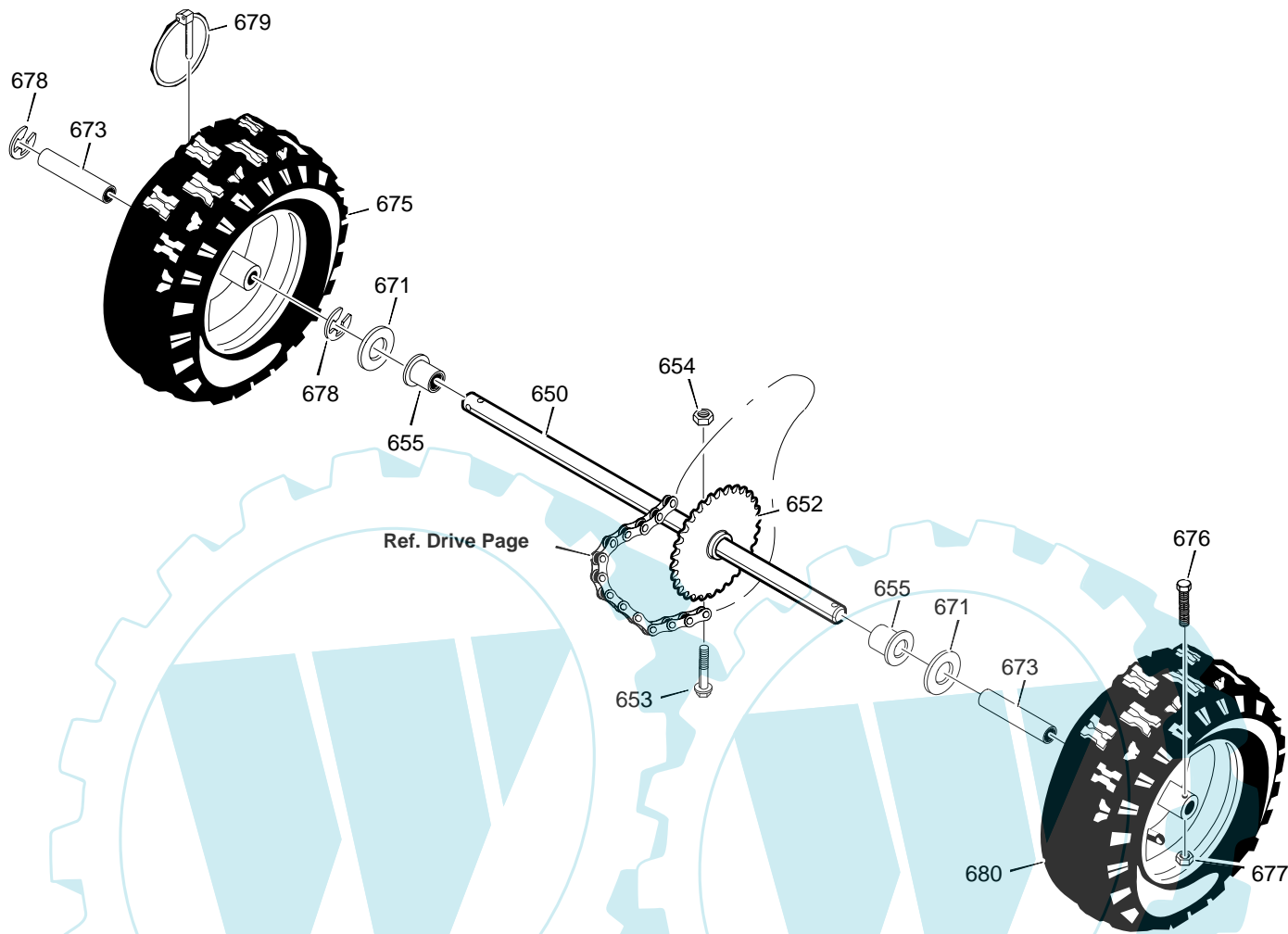


Key No.	Part No.	Description
300	10577	CASE, GEAR, RH
301	10576	CASE, GEAR, LH
303	710025	SCREW
304	15x143	NUT
306	9344	SCREW
310	9566	SEAL, OIL
311	50304	BEARING, FL
312	48275	WASHER, FLAT
313	1501189	SHAFT, OUTPUT
314	51279	GASKET
315	51405	GEAR, WORM
316	431787	KEY, WOODRUFF
320	50221	BRNG, FL
321	1501191	SHAFT, INPUT
322	580295	COLLAR, THRUST
323	454565	PIN, SPRING
324	48275	WASHER, FLAT
325	50684	BRNG, ROLL
326	50304	BRNG, FL
327	9566	SEAL, OIL
340	1501188E701	IMPELLER ASSEMBLY
341	454565	PIN, SPRING
*	333431	10oz LUBRIPLATE

*(NOT ILLUSTRATED)

MODEL 624501x85A

REPAIR PARTS
WHEELS



Key No.	Part No.	Description
650	1501562	SHAFT, AXLE
652	1501089	SPRKT & HUB
653	01x193	SCREW, 1/4-20 x 1.75
654	15x145	NUT, 1/4-20 HEX NYLOCK
655	1501114	BEARING, AXLE
671	712120	FLATWASHER
673	1501139	BUSHING, WHEEL
675	318503	TIRE & RIM, RIGHT
676	577015	SCREW, 1/4-20X1.75 HH
677	15X145	NUT, 1/4-20 HEX NYLOCK
678	239	RING, RET
679	73842	PIN, KLIK .25 X 1.38 DIA
680	318503	TIRE & RIM, LEFT