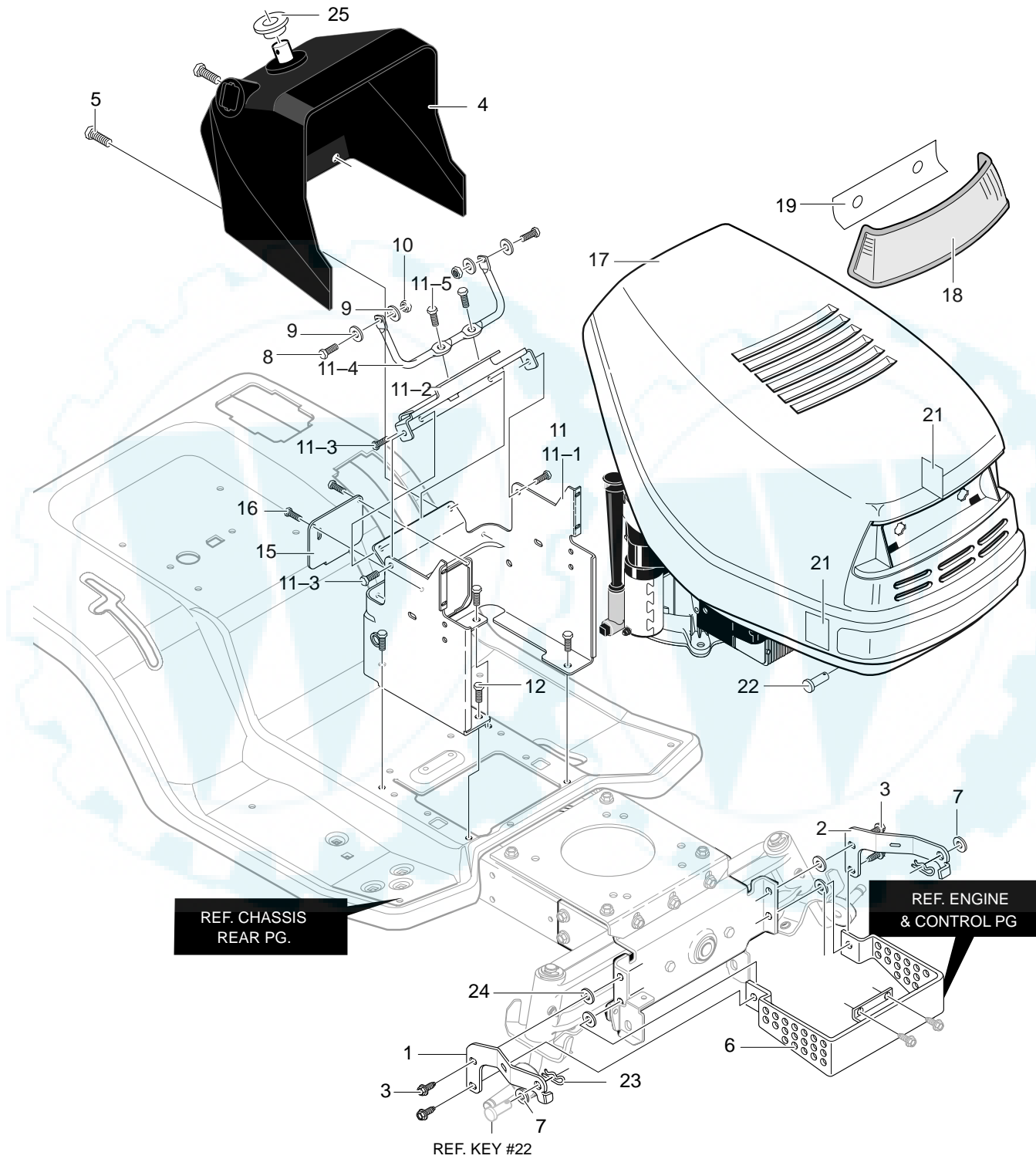


MODEL 42587x50D

REPAIR PARTS CHASSIS & HOOD ASSEMBLY



344695A

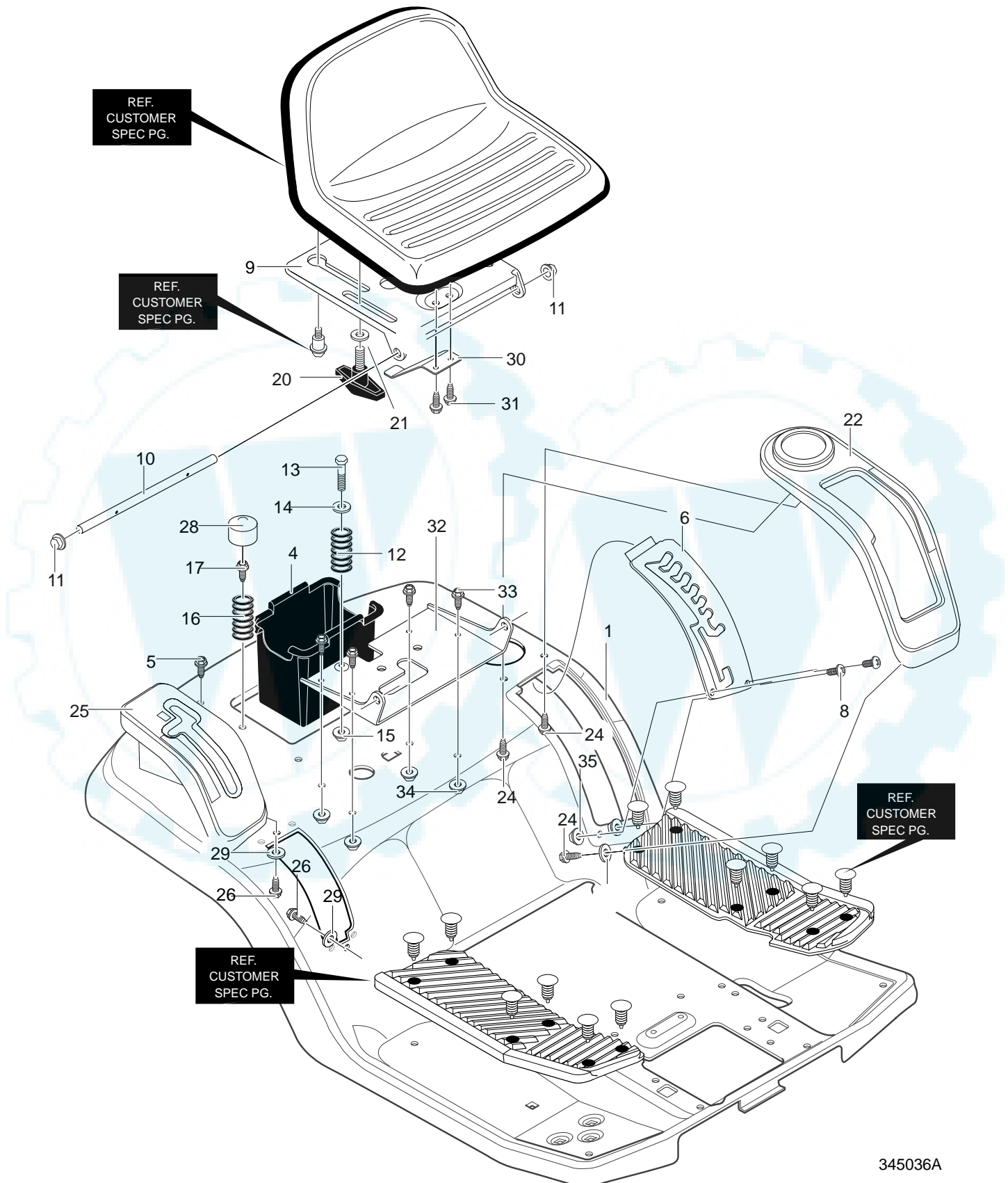
MODEL 42587x50D

REPAIR PARTS CHASSIS & HOOD ASSEMBLY

Key No.	Description	Part No.	Key No.	Description	Part No.
1	Bracket, Hood RH	95413-821	11-4	Rod, Dash Brace	95406
2	Bracket, Hood LH	95414-821	11-5	Screw, 1/4-20x.50	710264
3	Screw, 5/16-18x.75	26x249	12	Screw, 10-24x.50	26x249
4	Dash	690630	15	Panel, Access	94638-860
5	Screw, 1/4-14x.75	26x239	16	Screw, 10-24x.50	26x270
6	Heat Shield Guard	95195-821	17	Hood	94984
7	Washer, Flat Insulate	712480	18	Lens, Headlamp	302670
8	Screw, 1/4-20x.75	302628	19	Foil, Lens	308492
9	Washer, Flat .286x.63x.065	71067	21	Foil, Heat Reflector	301452
10	Nut, 1/4-20 Reghexctrlk	73826	22	Pin, Clevis	711856
11	Assembly, Lower Console	341569-860	23	Hair Pin	711682
11-1	Tower, Lower Dash	95425	24	Washer, Flat	712480
11-2	Support, Steering	95426	25	Bushing, Steering Shaft	95404
11-3	Screw, 1/4-20x.50	710264	—	Instruction Book & Parts List	F-010738L

MODEL 42587x50D

REPAIR PARTS REAR CHASSIS ASSEMBLY



345036A

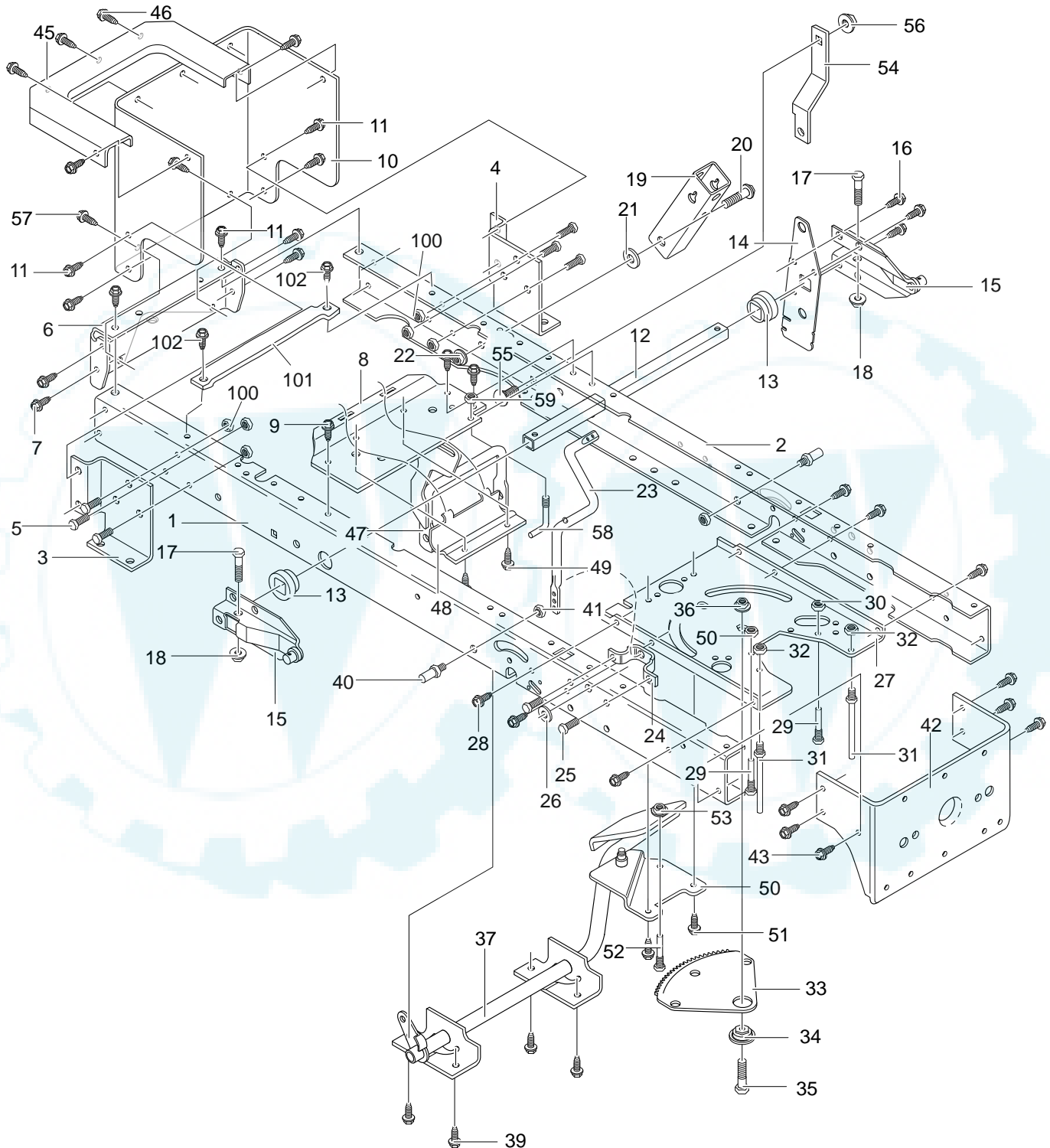
MODEL 42587x50D

REPAIR PARTS REAR CHASSIS ASSEMBLY

Key No.	Description	Part No.	Key No.	Description	Part No.
1	Seat Deck	94628-860	20	Wing Bolt 5/16-18x.50	1001054
4	Battery Container	690424	21	Flat washer	17x47
5	Screw, 1/4-20x.63	26x263	22	Detent Cover w/cup	94491
6	Plate, Lift Detent	94886-821	24	Screw, 1/4-15	711671
8	Screw, 10-24x.500	711629	25	Shift Cover Hand/Foot	94495
9	Seat Support	94154-860	26	Screw, 1/4-15x.44	711671
10	Hing,e Seat Pivot	95294	27	Flat washer	71067
11	Push Cap Nut	28x23	29	Flat washer	71067
12	Comp. Spring	710136-821	30	Spring-Leaf	94057
13	Shoulder Bolt, 1/4-20	711610	31	Screw, 1/4-20x.50	711592
14	Washer Cup	94155 Z	32	Bracket, Pivot Seat	94153-860
15	Nut, 1/4-20	302635	33	Screw, 5/16-18x.75	1x45
16	Comp. Spring	710109-821	34	Nut, 5/16-18 Wdfilk	15x123
17	Screw, 5/16-18x.75	711606	35	Nut, #10-24 Locknut	711842

MODEL 42587x50D

REPAIR PARTS FRAME ASSEMBLY



343670D

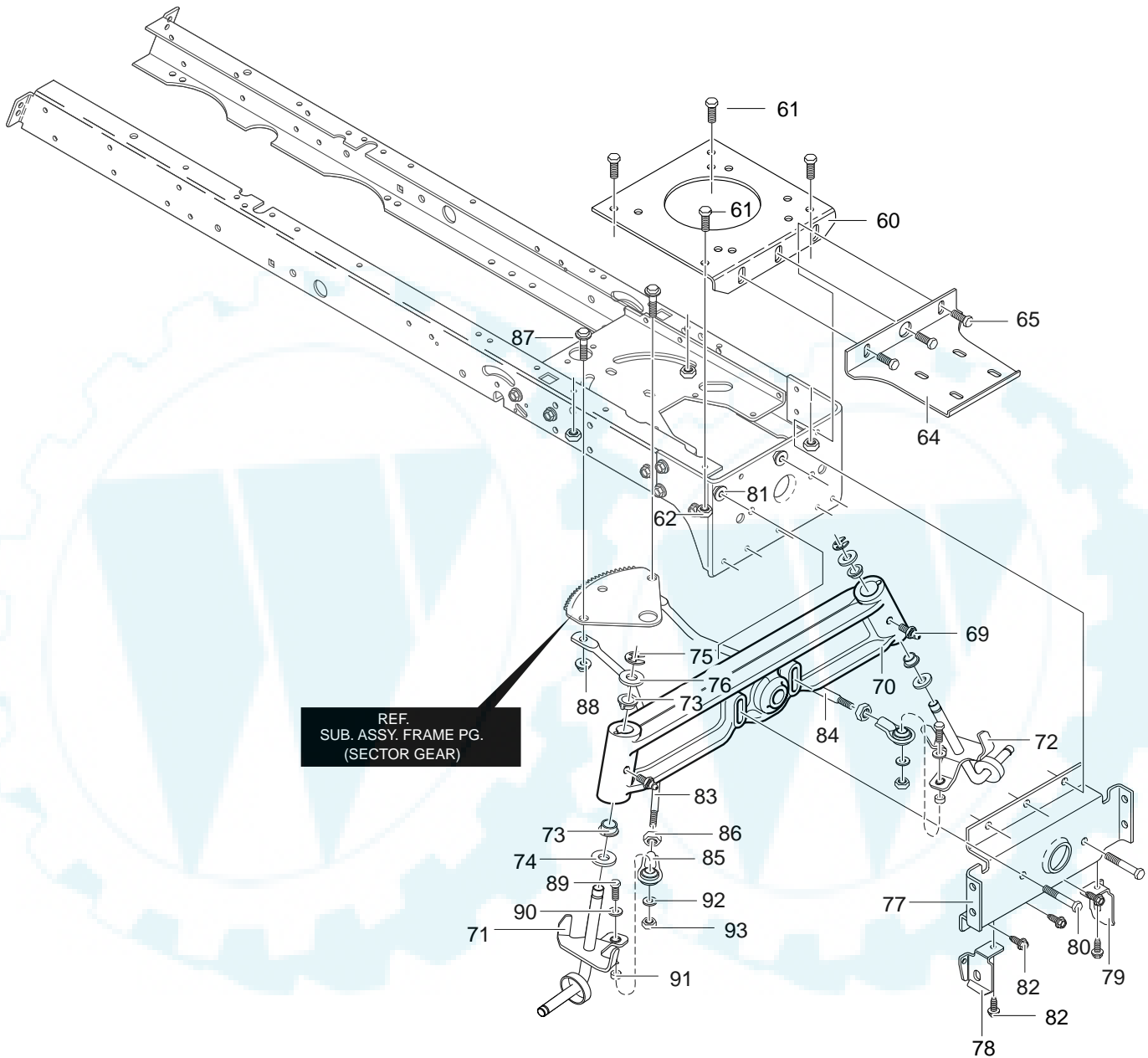
MODEL 42587x50D

REPAIR PARTS FRAME ASSEMBLY

Key No.	Description	Part No.	Key No.	Description	Part No.
1	Frame, Rail RH	95110	31	Screw Guide	94066
2	Frame, Rail LH	95111	32	Nut, .32-18 Flangelock	015x79
3	Bracket, Transaxle RH	94184	33	Gear Sector	94121
4	Bracket, Transaxle LH	94185	34	Bearing, Sector Gear	94123
5	Screw, .312-18x.75	26x249	35	Screw, .312-18x1.00	001x84
6	Plate	1001002	36	Nut, 5/16 Hkeps	15x113
7	Screw, .312-18x.75	26x249	37	Cl/Br Pedal Dlx	94632
8	Bracket, Idler/Trunnion	94431	39	Screw, .312-18x.75	26x249
9	Screw, .312-18x.75	26x249	40	Pin, Threaded Shoulder	94067
10	Plate, Rear	690218	41	Nut, 3/8-16 Hwdfl Whiz	45171
11	Screw, .312-18x.75	26x249	42	Bracket, Hanger Rear	94013
12	Lifter Tube	94063	43	Screw, .312-18x.75	26x249
13	Bushing, Lift Arm	94065	45	Top, Rear Plate	94186
14	Plate, Lift Arm	94030	46	Screw, Thread Form	26x270
15	Lever, Lift Arm	94180	47	Yoke Assy., Trunnion	94791
16	Screw .31x.50	026x49	48	Clamp, Trunnion	94434
17	Screw, .5/16-21x1.25	001x74	49	Screw, 5/16-18x.75	26x249
18	Nut, .32-24 Flangelock	15x118	50	Idler, Intermediate	94409
19	Pivot Bracket	94015	51	Screw, 5/16-18x.50	26x277
20	Bolt, 3/8 HSSH	009x53	52	Screw Guide 5/16-18	93349
21	Flat washer	17x191	53	Nut, .32-18 Flangelock	015x79
22	Nut, .38-16 Flange Ctrlk	015x84	54	Torque Strap Left	94433
23	PTO Crank	690394	55	Bolt, CRG .31-18x0.62	002x53
24	Bracket, Bell Crank	94005	56	Nut, .32-18 Flng Ctrlk	015x88
25	Screw, .312-18x.75	26x249	57	Engine Bolt, 3/8x1.25	0025x7
26	Flat washer	120395	58	Screw Guide	94781
27	Steering Plate	1001024	59	Nut, .32-18 Flangelock	015x79
28	Screw, .312-18x.75	26x249	100	Nut, .32-18Flang Centerlock	015x88
29	Screw Guide 5/16-18	93349	101	Brkt, Battery Support	690482
30	Nut, .32-18 Flangelock	015x79	102	Screw, 5/16-18x.75	26x249

MODEL 42587x50D

REPAIR PARTS FRAME ASSEMBLY



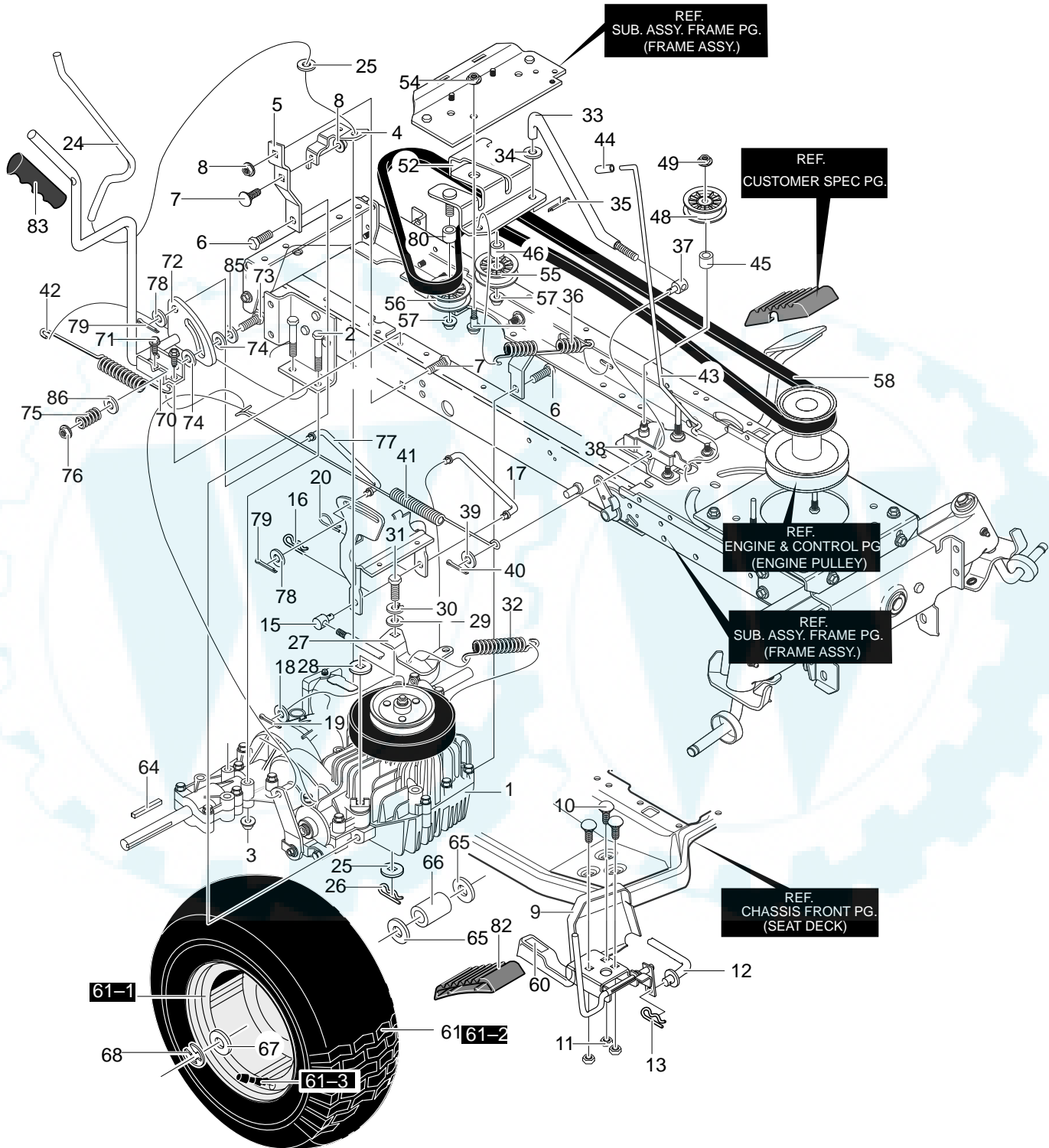
MODEL 42587x50D

REPAIR PARTS FRAME ASSEMBLY

Key No.	Description	Part No.	Key No.	Description	Part No.
60	Engine Plate	94006	79	Hanger, Deck LH	94027
61	Screw, .312-18x.75	26x249	80	Screw, 5/16-24X2.75	01x146
62	Nut, 5/16-18	015X88	81	Nut, .32-24 Flangelock	15x118
64	Bracket, Muffler Mount	94306	82	Screw, .5/16-24X2.75	26x249
65	Screw, .312-18x.75	26x249	83	Rod, Drag Link, RH	94767
69	Zerk, Grease Fitting	706	84	Rod, Drag Link, LH	94768
70	Axle, Cast Machined	343710	85	Tie Rod End 1/2-20	94766
71	Spindle, RH	94732	86	Nut, 1/2-20 Hxjam	7058
72	Spindle, LH	94733	87	Bolt, HSSH	009x57
73	Bearing, Spindle	92527	88	Nut, .38-16 Flng Ctrlk	015x84
74	Washer, .766IDx1.62ID	17x113	89	Bolt, HSSH 3/8-16	310364
75	E-Ring	0011x3	90	Flat washer	711762
76	Flat washer	17x195	91	Spacer, Slev	319618
77	Hanger, Axle	94007	92	Flat washer	301188
78	Hanger, Deck RH	94026	93	Nut, 3/8-16 Reghexctrlk	1499

MODEL 42587x50D

REPAIR PARTS MOTION DRIVE



MODEL 42587x50D

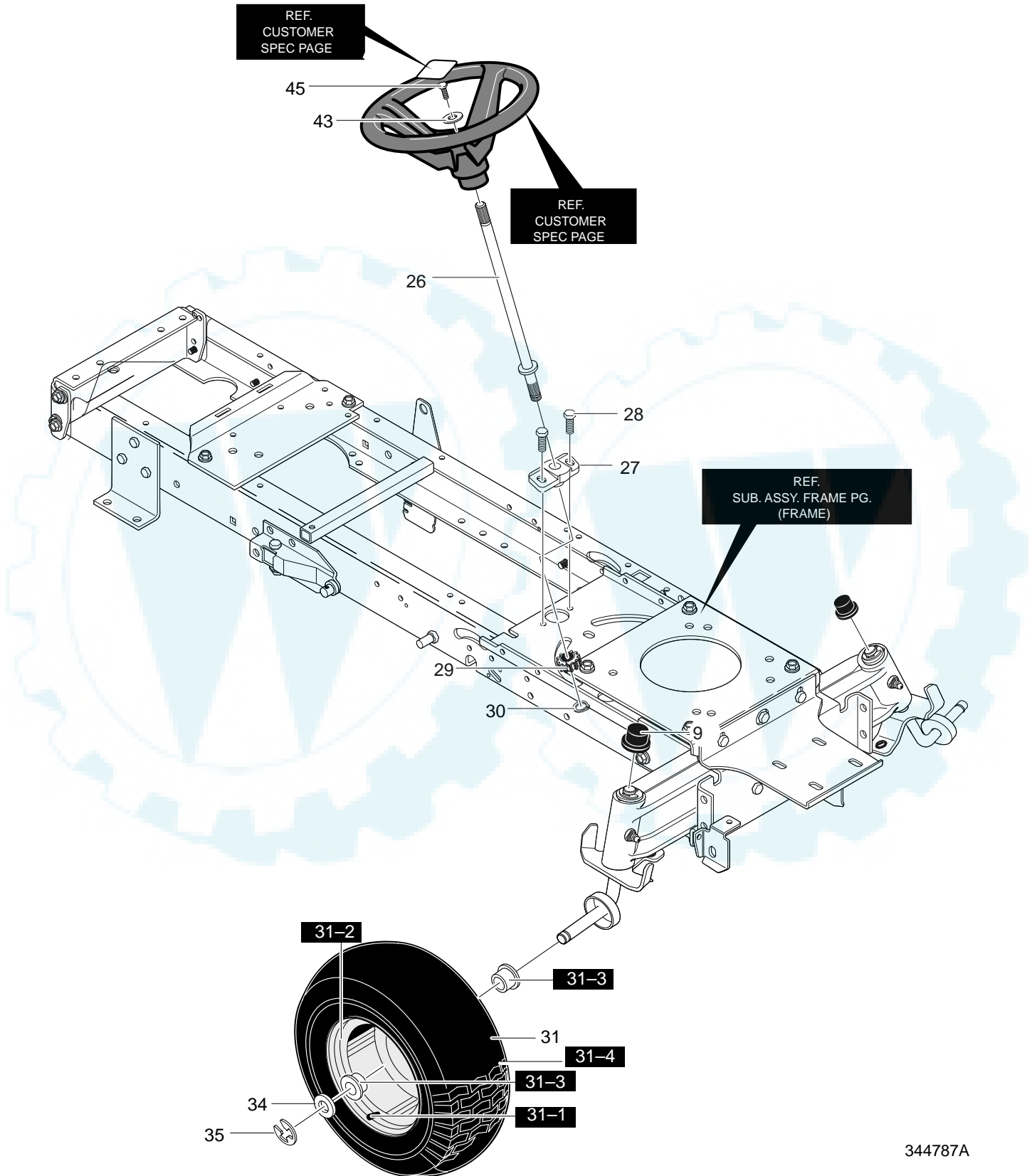
REPAIR PARTS MOTION DRIVE

Key No.	Description	Part No.	Key No.	Description	Part No.
1	Transaxle, VST205	*	44	Grip	91079
2	Screw, 5/16–18x2.50	711669	45	Spacer 1/2 to 17MM	690369
3	Nut, 5/16–18 Wdfllk	711634	46	Spacer 1/2 to 17MM	690369
4	Bracket, Disconnect	94429–821	48	Pulley, Idler	690409
5	Torque Strap	94432–821	49	Nut, 3/8–16	711920
6	Screw, 5/16–18x.75	710268	52	Asm., Bracket Idler	95305
7	Bolt, 5/16–18x.63	711661	53	Bolt, 3/8–16	711613
8	Nut, 5/16–18 Wdfllk	711634	54	Nut, 3/8–16	711622
9	Pedal Assy., Hydro	690013–821	55	Pulley, Idler	690409
10	Bolt, 5/16–18x.75	711688	56	Pulley, Idler	690410
11	Nut, 5/16–18	710026	57	Nut, 3/8–16	711920
12	Rod, Pedal Link	95278	58	Belt, Motion Drive	37x61
13	Hair Pin	711767	60	Pad, Toe Sandpaper	93249
15	Adjust Nut 1/2–13	711594	61	Tire & Rim	692511
16	Hair Pin	711682	61–1	Valve Stem	338512
17	Rod Hydro Link	95279	61–2	Rim	338524
18	Flat washer	711617	61–3	Tire	338525
19	Cotter Pin	71081	64	Key, Square	52928
20	Hair Pin	711676	65	Flat washer	711648
24	Rod, Disconnect	94428 Z	66	Spacer .87x1.78	95274
25	Washer, Flat	711644	67	Flat washer	711758
26	Pin, Cotter	71081	68	Ring, E	0011x3
27	Arm Disconnect	95299	70	Bracket, Mount Hand Ctrl	94793–821
28	Washer	17x148	71	Screw, 5/16–18x.75	711606
29	Flat washer	710657	72	Assy., Lever Hand Ctrl	94792 Z
30	Washer	710249	73	Bolt, HSH 5/16–18	711599
31	Screw, 1/4–28x.75	01x145	74	Washer, Friction	314944
32	Spring, Extension	710330	75	Spring, Compression	335689
33	Rod, Clutch	95297	76	Nut, 5/16–18	711634
34	Flat washer	711644	77	Link, Cruise Control	690045
35	Cotter Pin	71081	78	Flat washer	711644
36	Spring, Clutch	710707	79	Cotter Pin	71081
37	Nut, Adjusting	711596	80	Spacer, 1/2 to 17MM	690369
38	Latch, Park Brake	95290	82	Pad, Speed Ctrl Pedal	94516
39	Flat washer	711623	83	Grip	94507
40	Cotter Pin	71081	85	Flat washer	711589
41	Spring, Extension	710333	86	Flat washer	710083
42	Spring, Tension	710353	—	Hubcap	094618
43	Park Brake Rod	94568			

* Contact your nearest transaxle dealer for parts and service.
For information on Replacement Parts see the Central Parts Distributor in your area.

MODEL 42587x50D

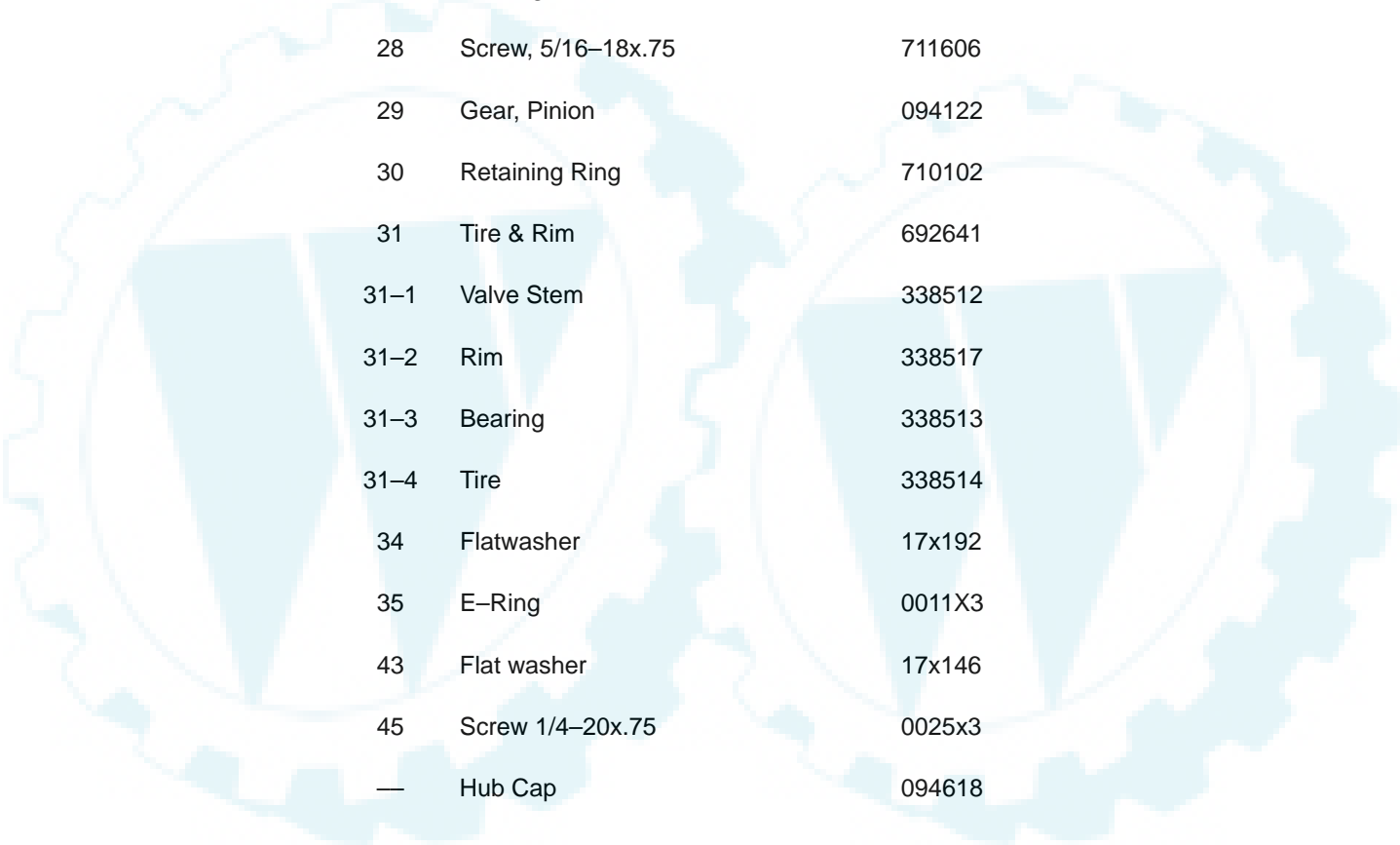
REPAIR PARTS STEERING



344787A

MODEL 42587x50D

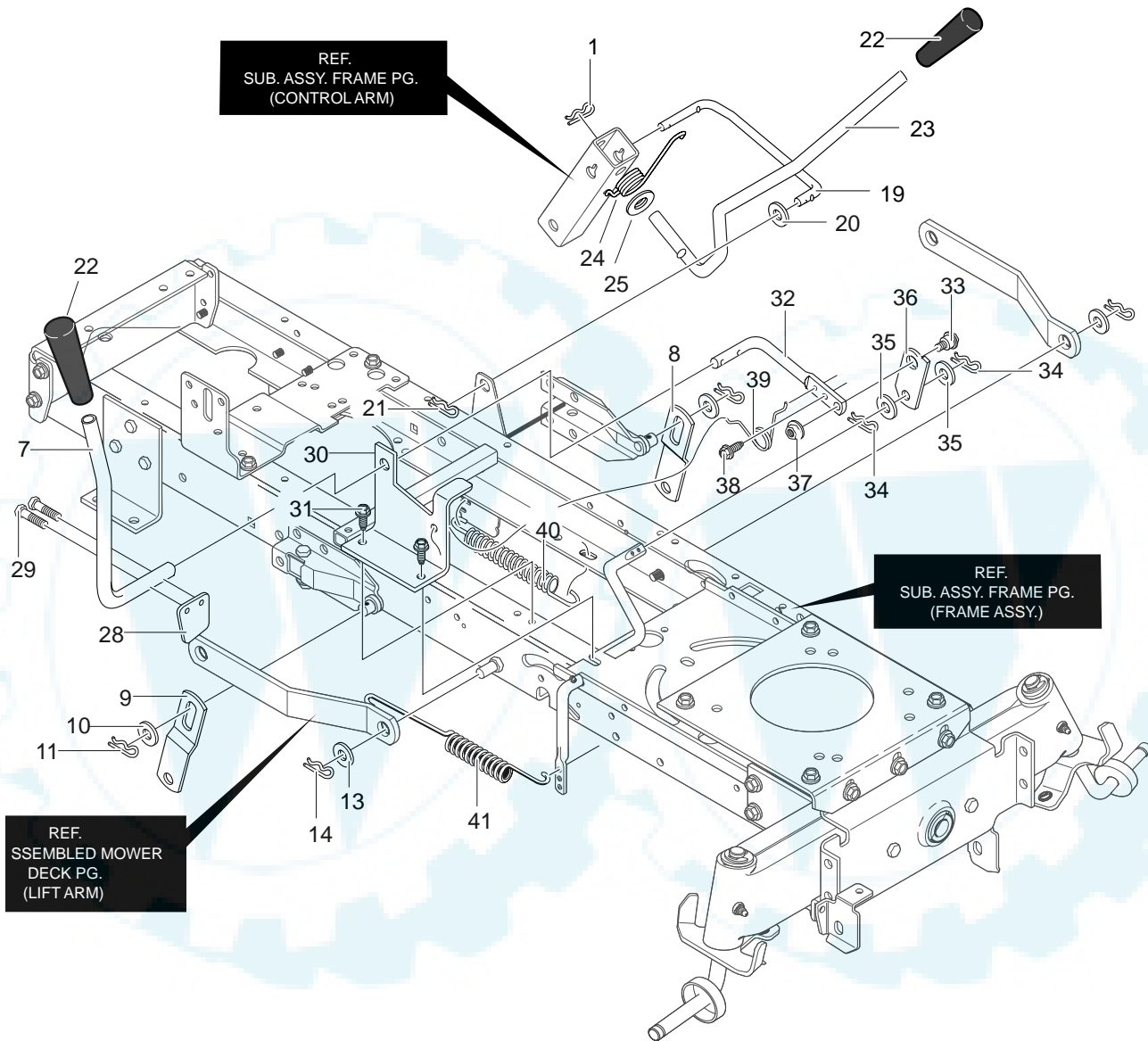
**REPAIR PARTS
STEERING**



Key No.	Description	Part No.
9	Dust Hub Cap	094618
26	Shaft, Steering	094520
27	Bearing-Lower	094124
28	Screw, 5/16-18x.75	711606
29	Gear, Pinion	094122
30	Retaining Ring	710102
31	Tire & Rim	692641
31-1	Valve Stem	338512
31-2	Rim	338517
31-3	Bearing	338513
31-4	Tire	338514
34	Flatwasher	17x192
35	E-Ring	0011X3
43	Flat washer	17x146
45	Screw 1/4-20x.75	0025x3
—	Hub Cap	094618

MODEL 42587x50D

REPAIR PARTS MOWER SUSPENSION ASSEMBLY



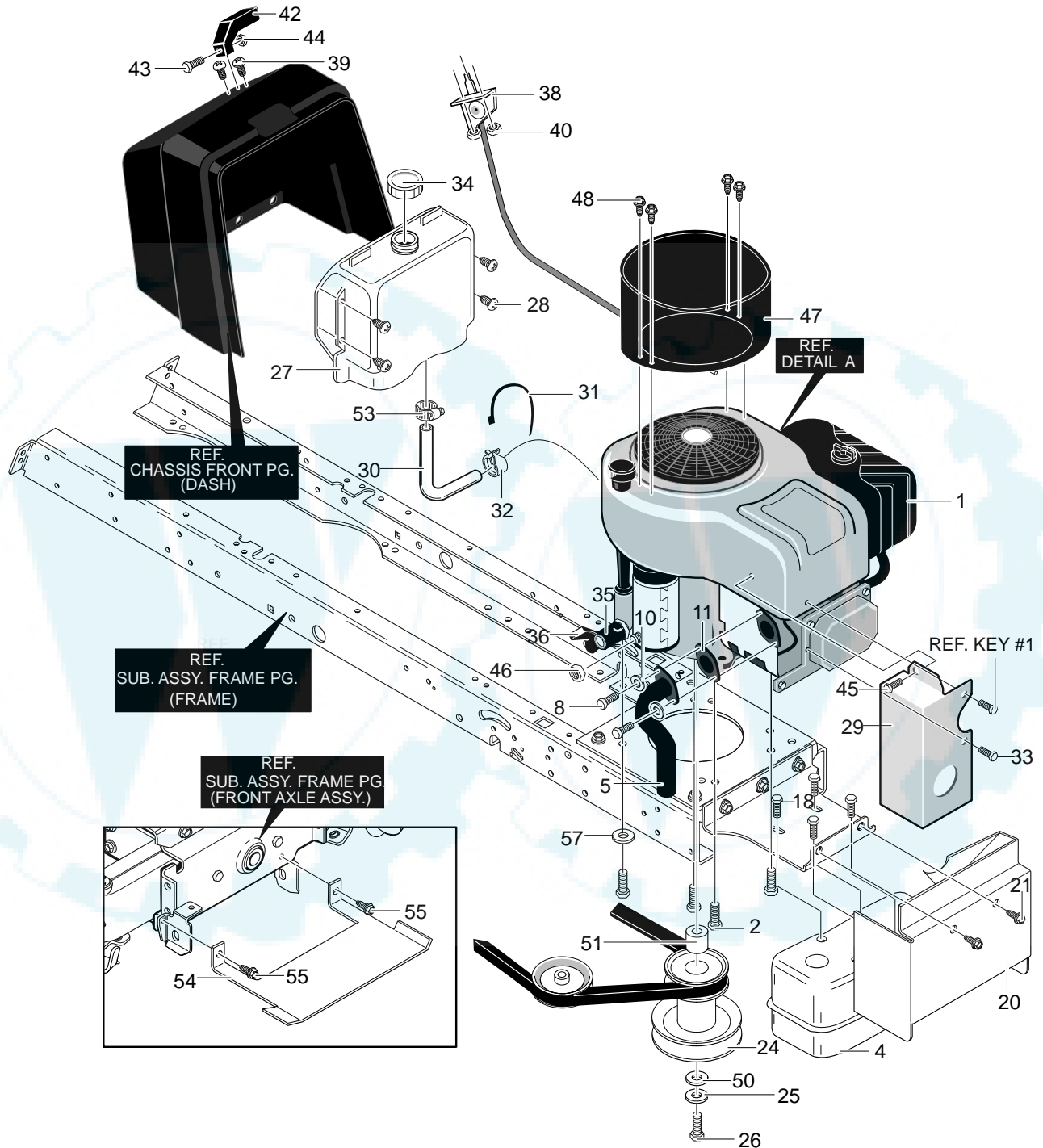
MODEL 42587x50D

**REPAIR PARTS
MOWER SUSPENSION ASSEMBLY**

Key No.	Description	Part No.	Key No.	Description	Part No.
1	Hair Pin	0031x4	27	PTO Handle	94826 Z
8	Link, Lift LH	94611-821	28	Paddle Switch	95284
9	Link, Lift RH	94053-821	29	Screw, Thd Form	711621
10	Flat washer	017x91	30	Bracket, PTO	94018-821
11	Hair Pin	0031x4	31	Screw, 5/16-18x.50 (26x277)	780055
13	Flat washer	017x91	32	Lever, PTO	95283
14	Hair Pin	0031x4	33	Bolt, Shoulder 3/8-16	711613
19	Link, Lift Handle	95285	34	Hair Pin	711659
20	Flat washer	711617	35	Washer, Flat	711615
21	Hair Pin	0031x4	36	Link PTO	95282
22	Grip	94506	37	Nut, 3/8-16	711622
23	Handle, Lift	690533	38	Screw, 5/16-18x.75	711606
24	Washer, Flat	711616	39	Torsion Spring	710141
25	Torsion Spring	710111	40	Spring	165x117
26	Grip	94505	41	Spring, Extension (165x118)	710208

MODEL 42587x50D

REPAIR PARTS
ENGINE AND CONTROL ASSEMBLY



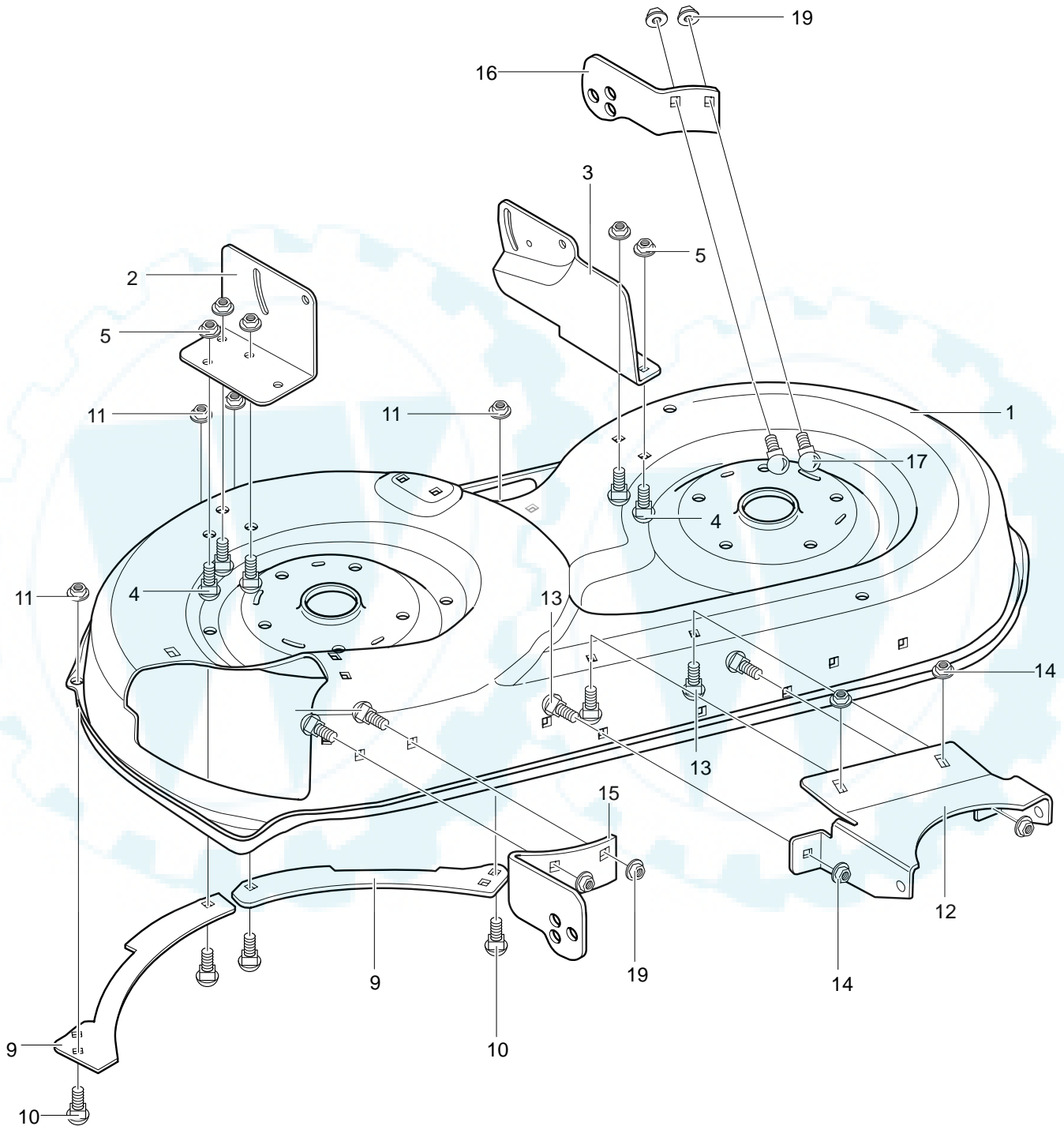
MODEL 42587x50D

REPAIR PARTS ENGINE AND CONTROL ASSEMBLY

Key No.	Description	Part No.	Key No.	Description	Part No.
1	17HP (See Engine Manual)	Engine	33	Screw, 1/4–20x.50	711592
—	Clip, Speed	94951	34	Gas Cap 2.0	690615
2	Engine Bolt 3/8x1.25	0025X7	35	Oil Drain Valve Assembly	325547
4	Muffler, Single Cylinder	94654	36	Cap, Oil Drain Valve	327422
5	Exhaust Tube	94657	38	Throttle Control	95370
8	Screw, 5/16–18x.75	313676	39	Screw, 10–24x.63	711749
10	Washer, Hvsptlk	313679	40	Nut, #10–24	711754
11	Gasket, Muffler	91309	42	Knob, Throttle Control	94931
18	Screw, 1/4–20x.63	711642	43	Screw, #8–32	711750
20	Heat Shield, Lower Front	95439–821	44	Nut, #8–32	711748
21	Screw, 5/16–18x.75	711606	45	Screw, 10–16x.50 Drill	711593
24	Stack Pulley	690450	46	Nut, 1/4–20	711601
25	Washer, Regsptlk	120383	47	Plenum	690059
26	Screw, 7/16–20	1X169	48	Screw, 10–16x.50 Drill	711593
27	Tank, Fuel 2 Gal.	314991	50	Flat washer	17x170
28	Screw, #12x.50	26x214	51	Spacer, Sleeve	93077
29	Heat Shield Side	333772–821	53	Clamp, Hose Screw Type	47345
30	Gas line 12 Inches	42258	54	Shield, Anti-Dehydration	95192–821
31	Cable Tie	57444	55	Screw, 5/16–18x.75	711606
32	Clamp, Fuel	336890	57	Washer, Exlk	711668

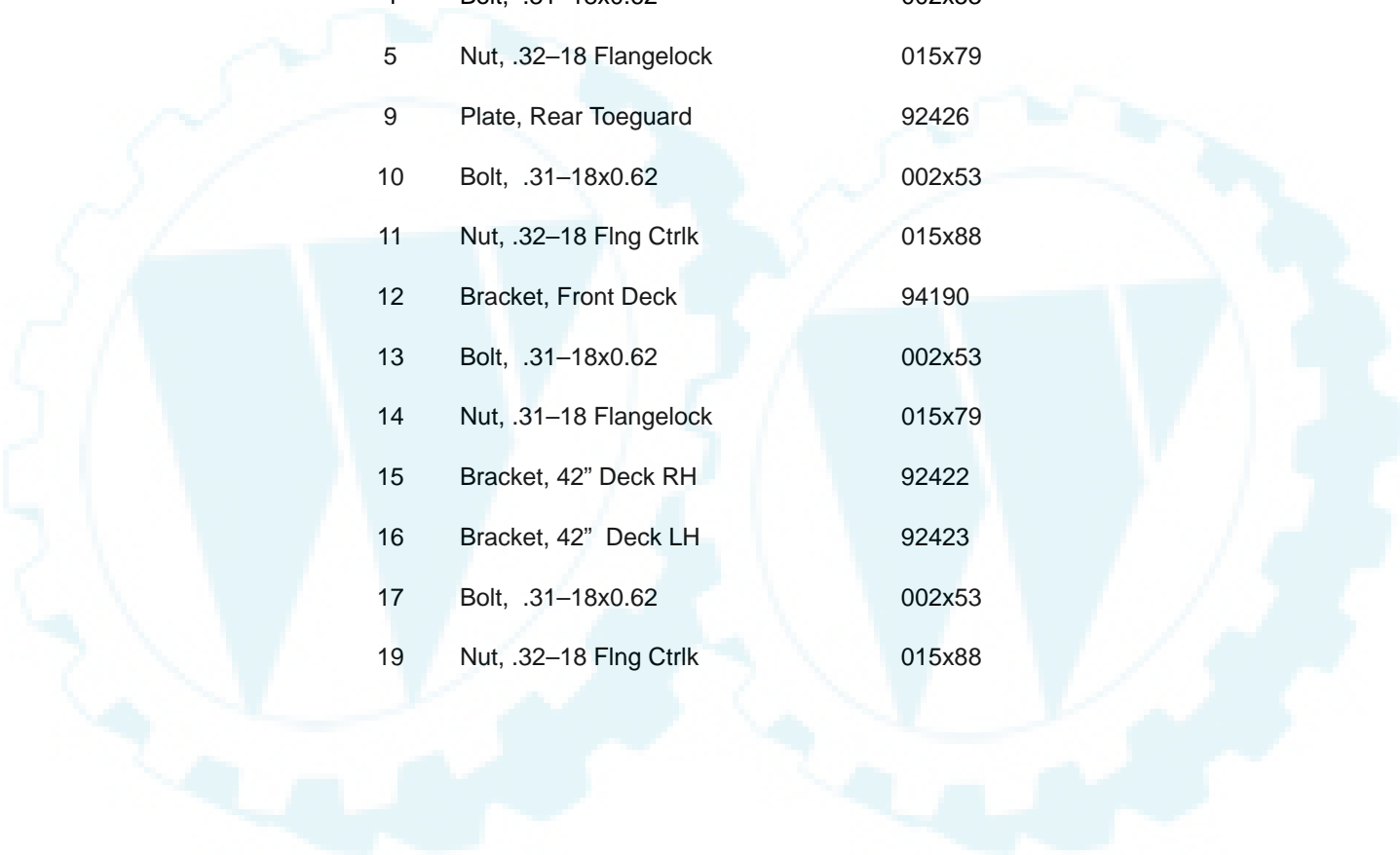
MODEL 42587x50D

**REPAIR PARTS
DECK ASSEMBLY**



MODEL 42587x50D

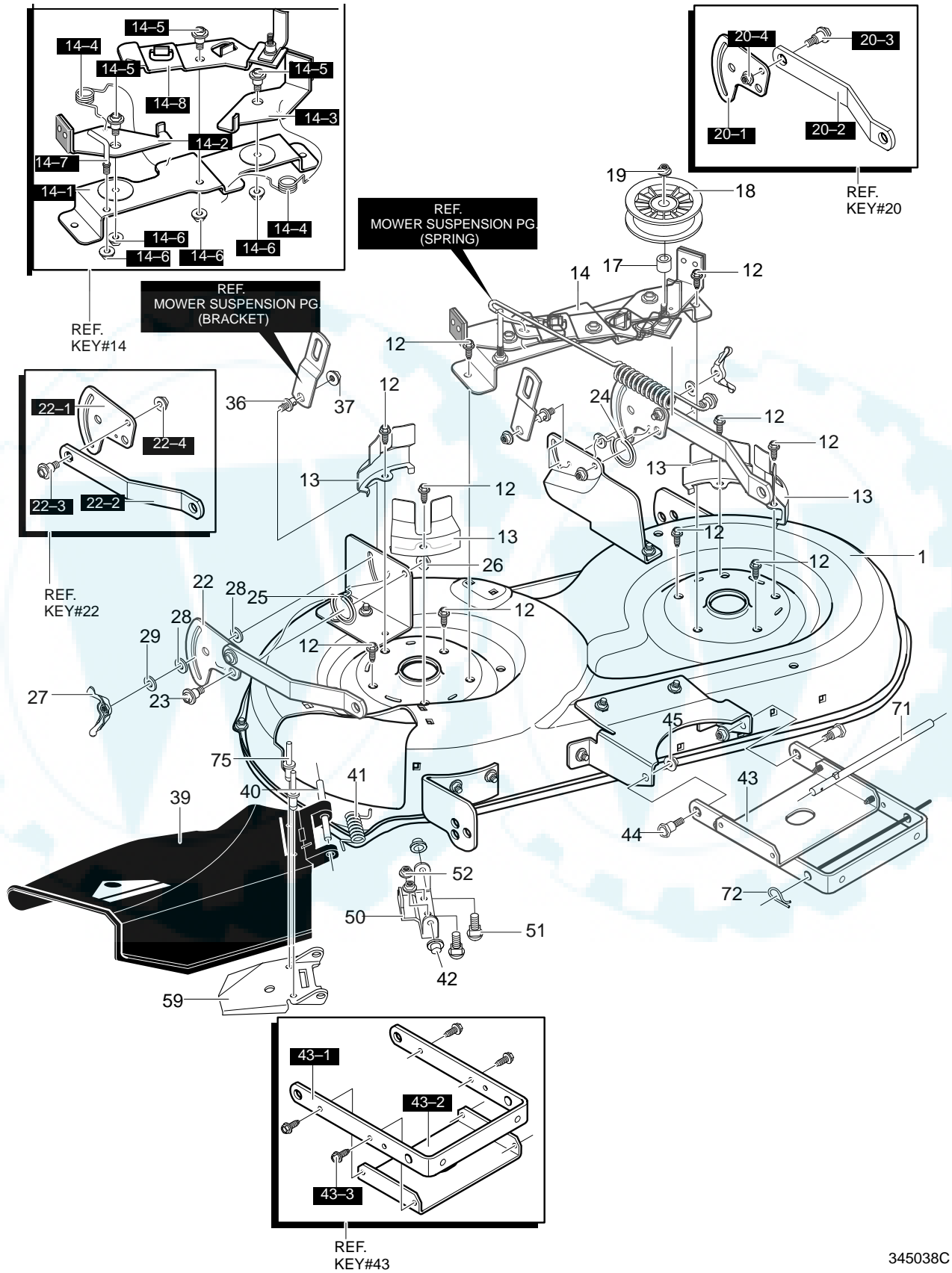
REPAIR PARTS DECK ASSEMBLY



Key No.	Description	Part No.
1	42" Blade Housing	94188
2	Bracket, Deck RH	94191
3	Bracket, Deck LH	94192
4	Bolt, .31-18x0.62	002x53
5	Nut, .32-18 Flangelock	015x79
9	Plate, Rear Toeguard	92426
10	Bolt, .31-18x0.62	002x53
11	Nut, .32-18 Flng Ctrlk	015x88
12	Bracket, Front Deck	94190
13	Bolt, .31-18x0.62	002x53
14	Nut, .31-18 Flangelock	015x79
15	Bracket, 42" Deck RH	92422
16	Bracket, 42" Deck LH	92423
17	Bolt, .31-18x0.62	002x53
19	Nut, .32-18 Flng Ctrlk	015x88

MODEL 42587x50D

REPAIR PARTS DECK ASSEMBLY



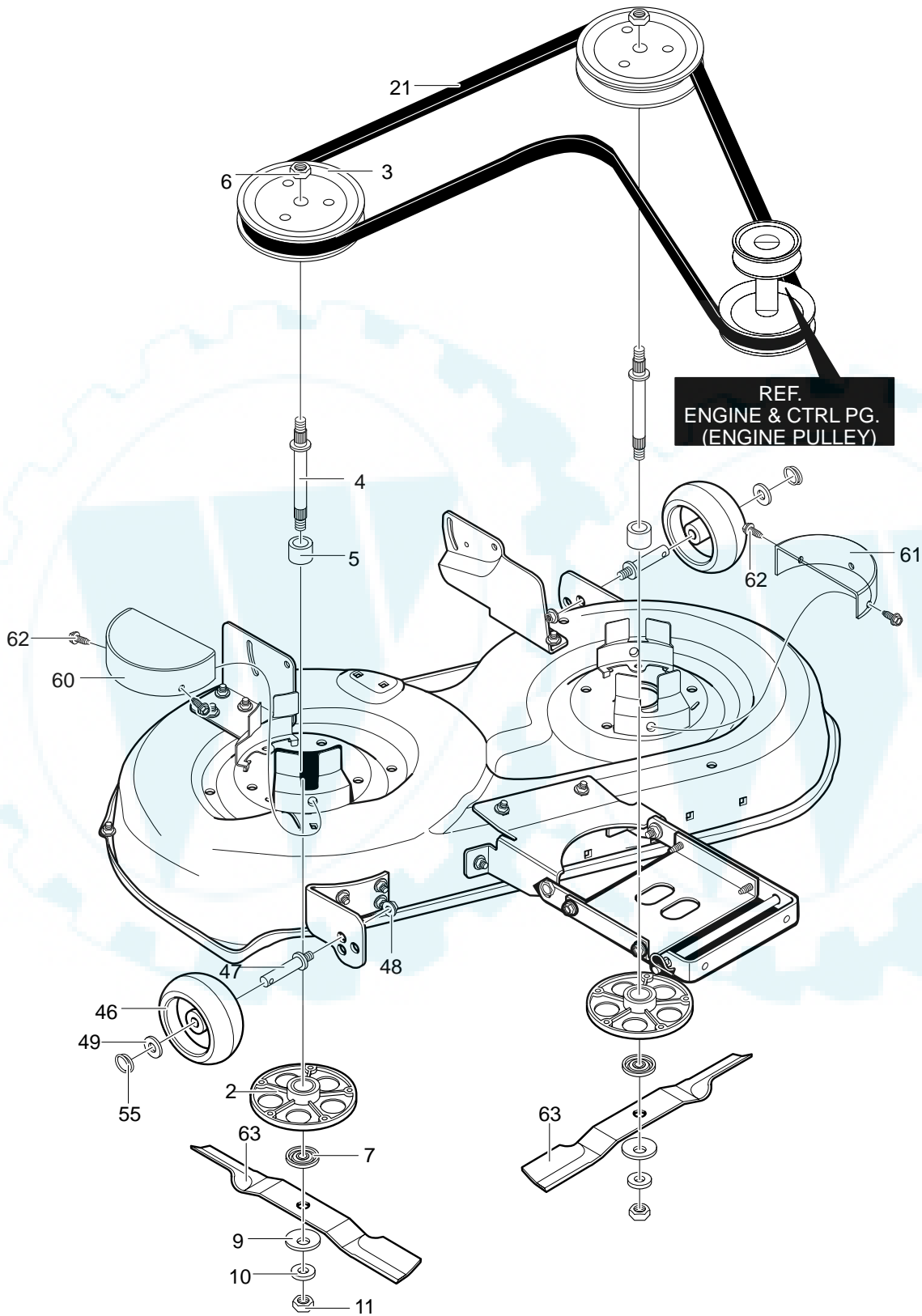
MODEL 42587x50D

REPAIR PARTS DECK ASSEMBLY

Key No.	Description	Part No.	Key No.	Description	Part No.
1	Blade Housing Assembly	94189-821	23	Bolt, Shoulder	711611
12	Engine Bolt 3/8x1.25	0025x7	24	Spring, Torsion LH	710113
13	Cover, Segment Belt Guide	94051-821	25	Spring, Torsion RH	710112
14	Asm., Brkt supt w/Brakes	690138-821	26	Nut, 3/8-16	711622
14-1	Bracket, Brake Mtg.	94193	27	Wingnut, 5/16-18	711600
14-2	Assy., Brake RH	94047	28	Pad, Friction	94137
14-3	Assy., Brake LH	94049	29	Washer	711628
14-4	Torsion Spring	710227	36	Pin, Hanger	711595
14-5	Bolt, 3/8-16 HSSH	710098	37	Nut, 3/8-16	711622
14-6	Nut, .38-16 Fing Ctrlk	015x84	39	Deflector Chute	94687
14-7	Screw Guide	94781	40	Rod, Chute Deflector	95303
14-8	Assy., Idler Arm	690408	41	Spring, Torsion	710194
14-9	Nut, .32-18 Fing Ctrlk	015x88	42	Nut, Push Cap	711627
17	Spacer, 1/2 to 17MM	690369	43	Asm., Bracket & Stiffener	690058-821
18	Idler Pulley	690451	43-1	Bracket, Front Suspension	94058
19	Nut, 3/8-16 Hwdfllk Mack	711920	43-2	Stiffener	95057
20	Asm., Plate Rear Sus. Brkt LH	341594-821	43-3	Screw, 5/16-18x.75	26x249
20-1	Plate-Suspension	94128	44	Bolt, Shoulder .375	009x51
20-2	Suspension Bracket Rear	94055	45	Nut, 3/8-16 Wdfllk Mack	015x84
20-3	Bolt, Shoulder	710095	50	Bracket, Chute Attach	94956-821
20-4	Nut, 3/8-16	710140	51	Carr. Bolt, 5/16-18x.63	711661
22	Assy, Plate,Rear Sus Bkt RH	341593-821	52	Nut, 5/16-18 Wdfllk	711634
22-1	Plate-Suspension	94128	59	Deflector Support	94686-821
22-2	Suspension Bracket Rear	94055	71	Rod, Hanger	95295
22-3	Bolt, Shoulder	710095	72	Hair Pin	711676
22-4	Nut, 3/8-16	710140	75	Rivet, Semi	711624

MODEL 42587x50D

REPAIR PARTS DECK ASSEMBLY



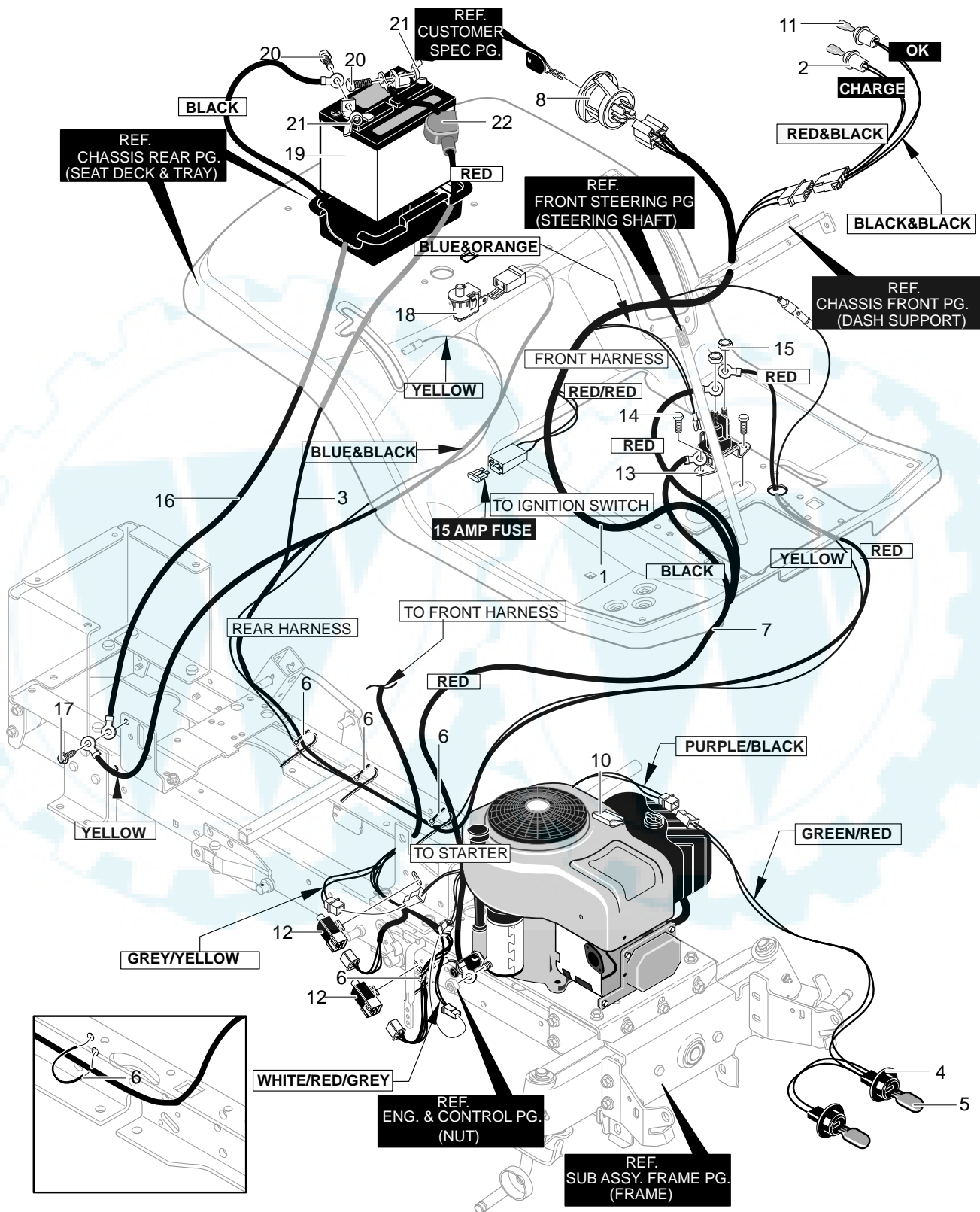
MODEL 42587x50D

REPAIR PARTS DECK ASSEMBLY

Key No.	Description	Part No.	Key No.	Description	Part No.
2	Jackshaft Assembly	1001049	46	Gauge Wheel	92683
3	Pulley, Split	95308	47	Bolt, SPSH 3/8-16	711746
4	Jackshaft	94129	48	Nut, 3/8-16 Wdfllk	711622
5	Spacer, .625x.875x1.85	94130	49	Flat washer	17x91
6	Nut, 9/16-18	15x121	55	Circle Pin	31x11
7	Adapter, Deck/Blade	1001035	60	Guard, Belt RH	94669-821
9	Washer	17x166	61	Guard, Belt LH	94668-821
10	Washer	17x165	62	Screw, 1/4-20x.63	711642
11	Nut, .56-18 Regular	15x100	63	Blade, 42" Low Lift	690205E701
21	Belt, 42" Deck	710213			

MODEL 42587x50D

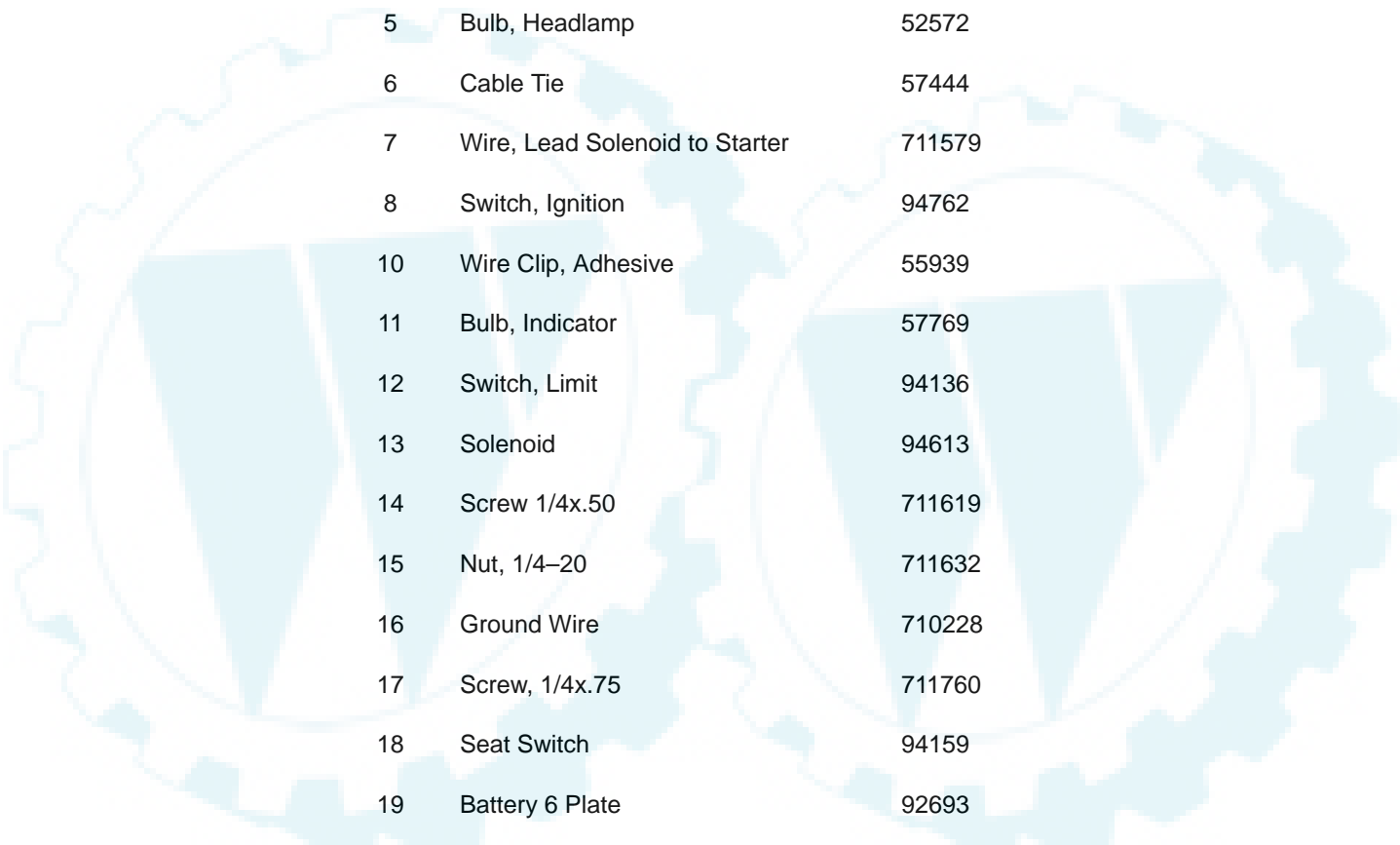
REPAIR PARTS
ELECTRICAL ASSEMBLY



344854A

MODEL 42587x50D

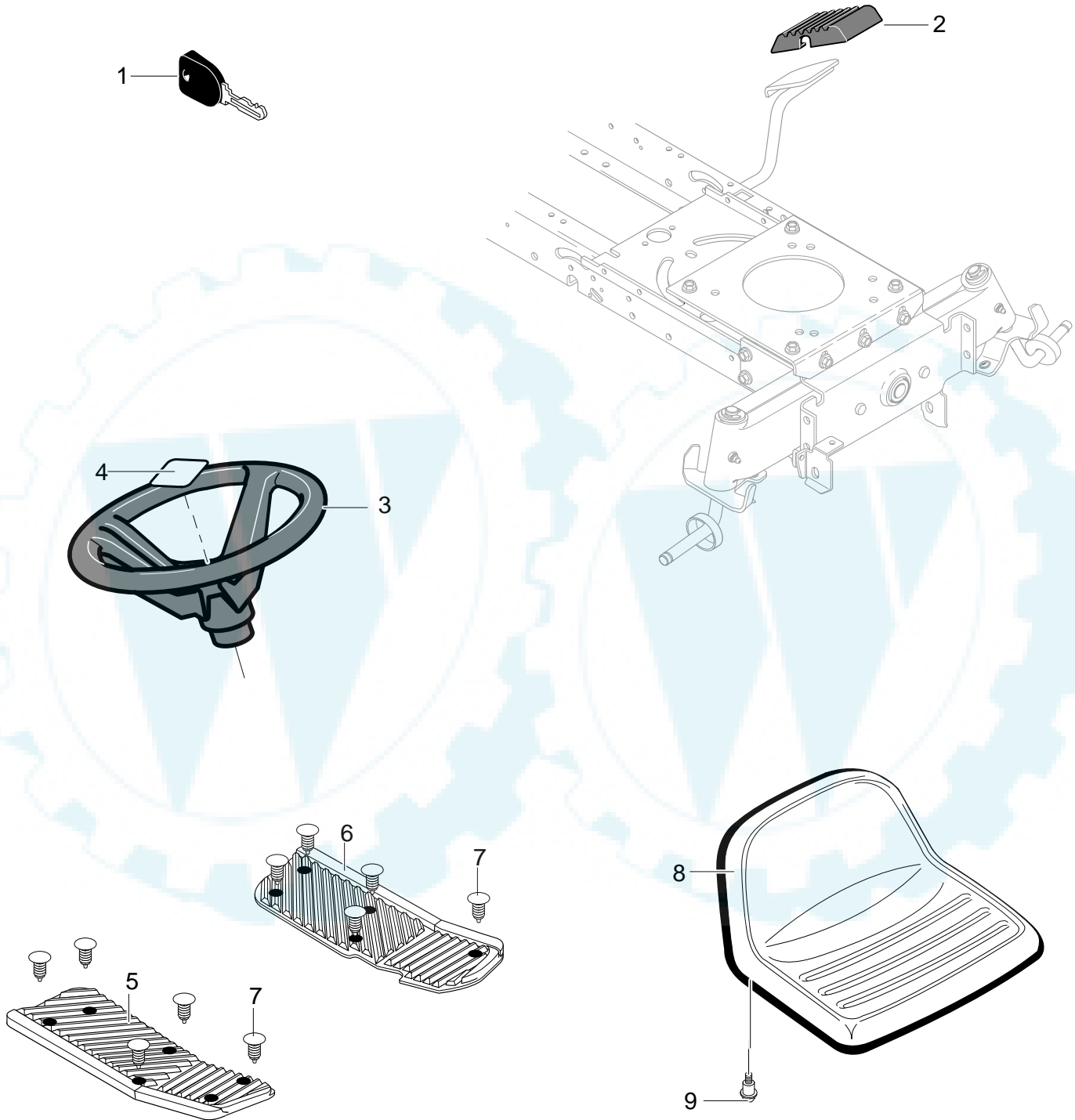
**REPAIR PARTS
ELECTRICAL ASSEMBLY**



Key No.	Description	Part No.
1	Wire Harness w/Indicator	95374
2	Harness, Ind. PTO/CHG	690611
3	Wire Harness, Rear	340530
4	Wire Harness for Headlights	94103
5	Bulb, Headlamp	52572
6	Cable Tie	57444
7	Wire, Lead Solenoid to Starter	711579
8	Switch, Ignition	94762
10	Wire Clip, Adhesive	55939
11	Bulb, Indicator	57769
12	Switch, Limit	94136
13	Solenoid	94613
14	Screw 1/4x.50	711619
15	Nut, 1/4-20	711632
16	Ground Wire	710228
17	Screw, 1/4x.75	711760
18	Seat Switch	94159
19	Battery 6 Plate	92693
20	Bolt, 1/4-20x.63	2x82
21	Wing Nut	14x76
22	Battery Boot	335417
—	15 Amp Fuse	302031

MODEL 42587x50D

**REPAIR PARTS
CUSTOMER SPEC**



MODEL 42587x50D

**REPAIR PARTS
CUSTOMER SPEC**

Key No.	Description	Part No.
1	Ignition Key	327350
2	Pad, Clutch/Brake	94630
3	Steering Wheel	95184
4	Insert, 4-Spoke	711325
5	Footrest Pad RH	95438
6	Footrest Pad LH	95437
7	Ratchet Fastener	311087
8	Seat	95236
9	Shoulder Bolt 5/16-18	711740