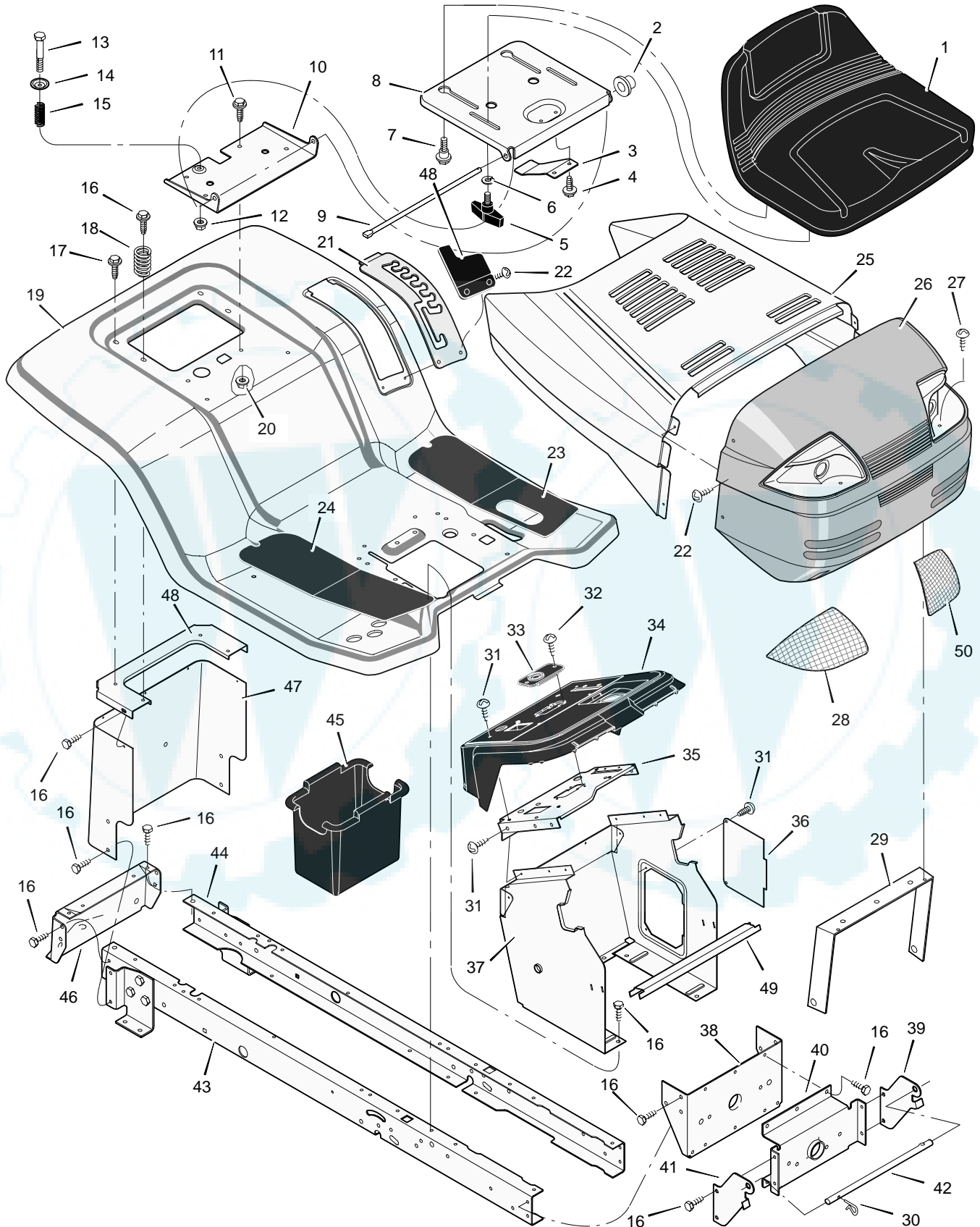


MODEL 42571x14A

REPAIR PARTS CHASSIS & HOOD



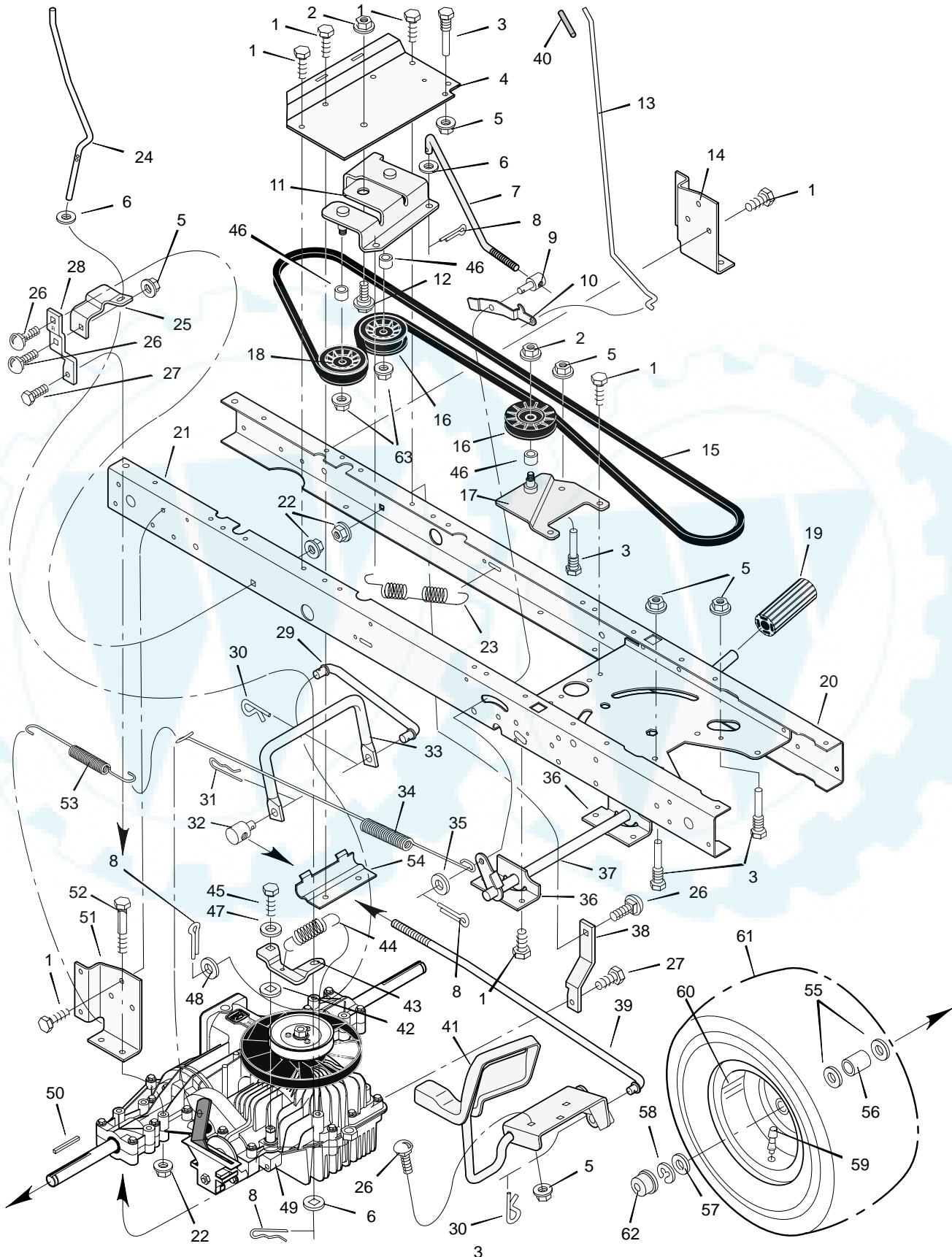
MODEL 42571x14A

REPAIR PARTS CHASSIS & HOOD

Key No.	Description	Part No.	Key No.	Description	Part No.
1	Seat	94163	27	Screw	26x239
2	Cap, Push On	28x23	28	Lens, Right	92539
3	Spring	94057	29	Brace, Grille	92541
4	Screw	26x229	30	Pin, Hair	31x4
5	Bolt, Wing	94160	31	Screw	26x270
6	Washer	17x47Z	32	Screw	26x238
7	Bolt, Shoulder	9x56	33	Bearing, Steering	94219
8	Support, Seat	94154E700	34	Dash	94223
9	Rod, Pivot	94156 Z	35	Plate, Dash	94221E700
10	Bracket, Pivot	94153E700	36	Panel, Access	93007E700
11	Bolt	1x45	37	Support, Dash	95082E700
12	Nut	15x89	38	Bracket, Rear Hanger	94013E700
13	Bolt, Shoulder	9x55	39	Support, Left Grille	690544E700
14	Washer	94155Z	40	Axle, Hanger	94007E700
15	Spring	164x31	41	Support, Right Grille	690543E700
16	Screw	26x249	42	Rod, Pivot	93137Z
17	Screw	26x263	43	Frame, Right	690206E700
18	Spring	164x30	44	Frame, Left	690207E700
19	Deck, Seat	94150E700	45	Container, Battery	690424
20	Nut	15x88	46	Plate, Hitch	94002E700
21	Plate, Index	94194E700	47	Plate, Rear	690218E700
22	Screw	9x47	48	Cover, Lift	94680
23	Mat, Left	94109	49	Channel	95081E700
24	Mat, Right	94108	50	Lens, Left	92540
25	Hood	93215E700	—	Instruction Book & Parts List	F-000803L
26	Grille Assembly (Includes Lens)	92542			

MODEL 42571x14A

REPAIR PARTS MOTION DRIVE



MODEL 42571x14A

REPAIR PARTS MOTION DRIVE

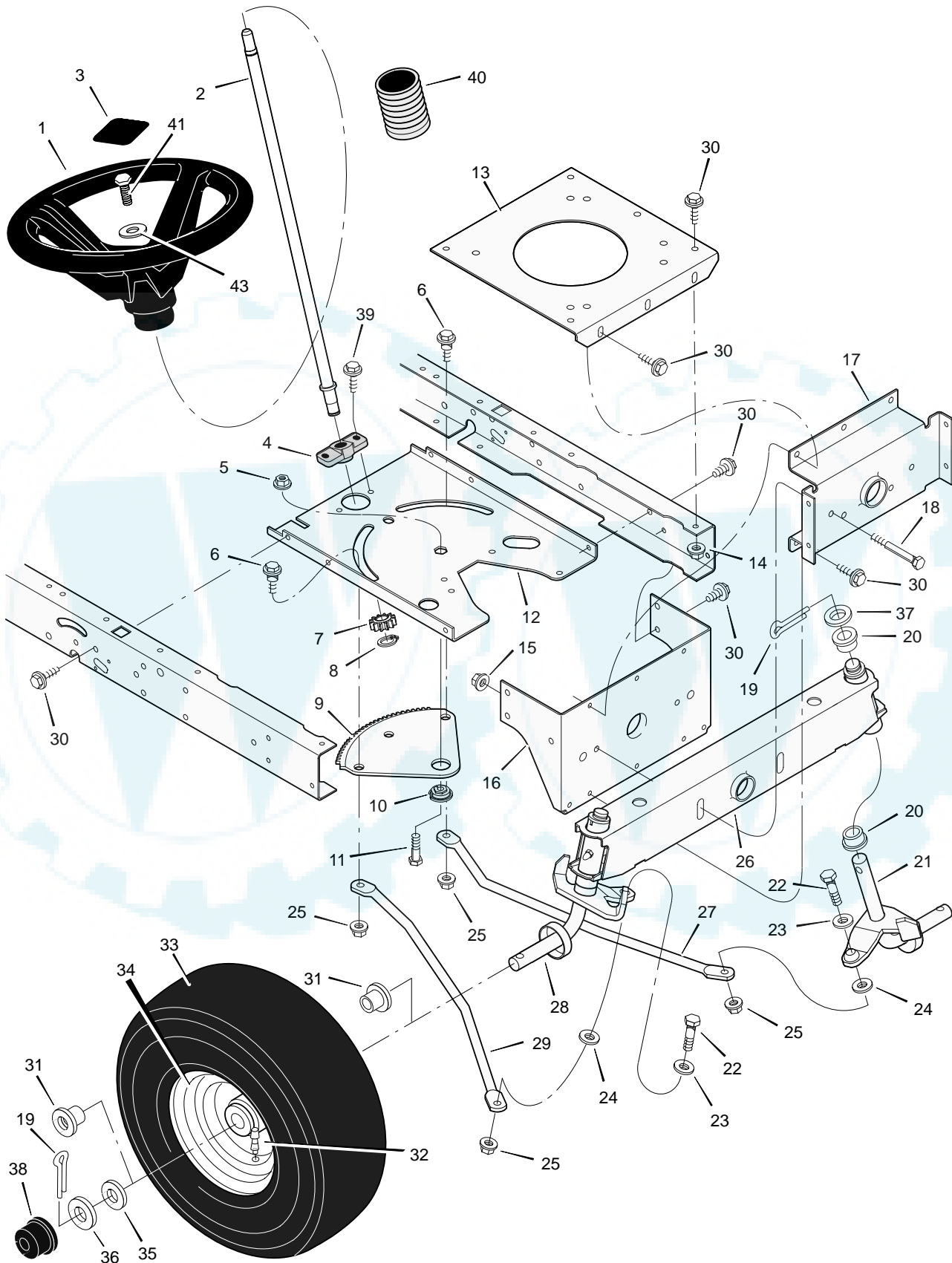
Key No.	Description	Part No.	Key No.	Description	Part No.
1	Screw	26x249	33	Rod, Yoke	94425E700
2	Nut, Flange	15x84	34	Spring, Extension	165x115
3	Guide, Belt	93349	35	Washer	17x169
4	Bracket, Idler	94431E700	36	Bracket, Pivot	94035E700
5	Locknut	15x79	37	Lever, Clutch/Brake	94038E700
6	Washer	17x47 Z	38	Strap, Left Torque	94433E700
7	Rod, Clutch	94417 Z	39	Rod, Link	94424 Z
8	Pin, Cotter	30x20	40	Grip	91079
9	Adjuster	94815	41	Pedal, Speed Control	690013E700
10	Latch, Parking Brake	94045 Z	42	Washer	17x148
11	Bracket Assembly, Idler	690517 Z	43	Arm, Disconnect	94430 Z
12	Bolt, Shoulder	9x39	44	Spring	165x112
13	Rod, Parking Brake	95005 Z	45	Bolt	6x105
14	Bracket, Transaxle	94185E700	46	Spacer	690369
15	Belt	37x61	47	Washer	17x38
16	Pulley, Idler	690409	48	Washer	17x169
17	Arm Assembly, Idler	94409 Z	49	Transaxle * *	**
18	Pulley, Idler	690410	50	Key, Square	21553
19	Pedal	21544	51	Bracket, Right Transaxle	94184E700
20	Frame, Left	690207E700	52	Bolt	1x155
21	Frame, Right	690206E700	53	Spring, Extension	165x92
22	Nut, Flange	15x88	54	Clamp, Transaxle	94434E700
23	Spring, Extension	165x142	55	Washer	17x160
24	Rod, Disconnect	94428 Z	56	Spacer	690554 Z
25	Bracket, Disconnect	94429E700	57	Washer	17x195
26	Bolt, Carriage	2x53	58	E-Ring	11x3
27	Screw	26x216	59	Valve Stem	24373
28	Strap, Right Torque	94432E700	60	Wheel & Tire Assembly	92511-601
29	Rod, Link	94426 Z	61	Tire *	407926
30	Pin, Hair	31x4	—	Tube	407049
31	Pin, Hair	31x6	62	Cap, Hub	94618
32	Nut, Adjuster	92132	63	Nut	15x98

* When you order a tire, make sure to give the brand name of the tire so that the tread pattern on the tire will match.

** For information on Replacement Parts see the Central Parts Distributor in your area.

MODEL 42571x14A

**REPAIR PARTS
STEERING**



MODEL 42571x14A

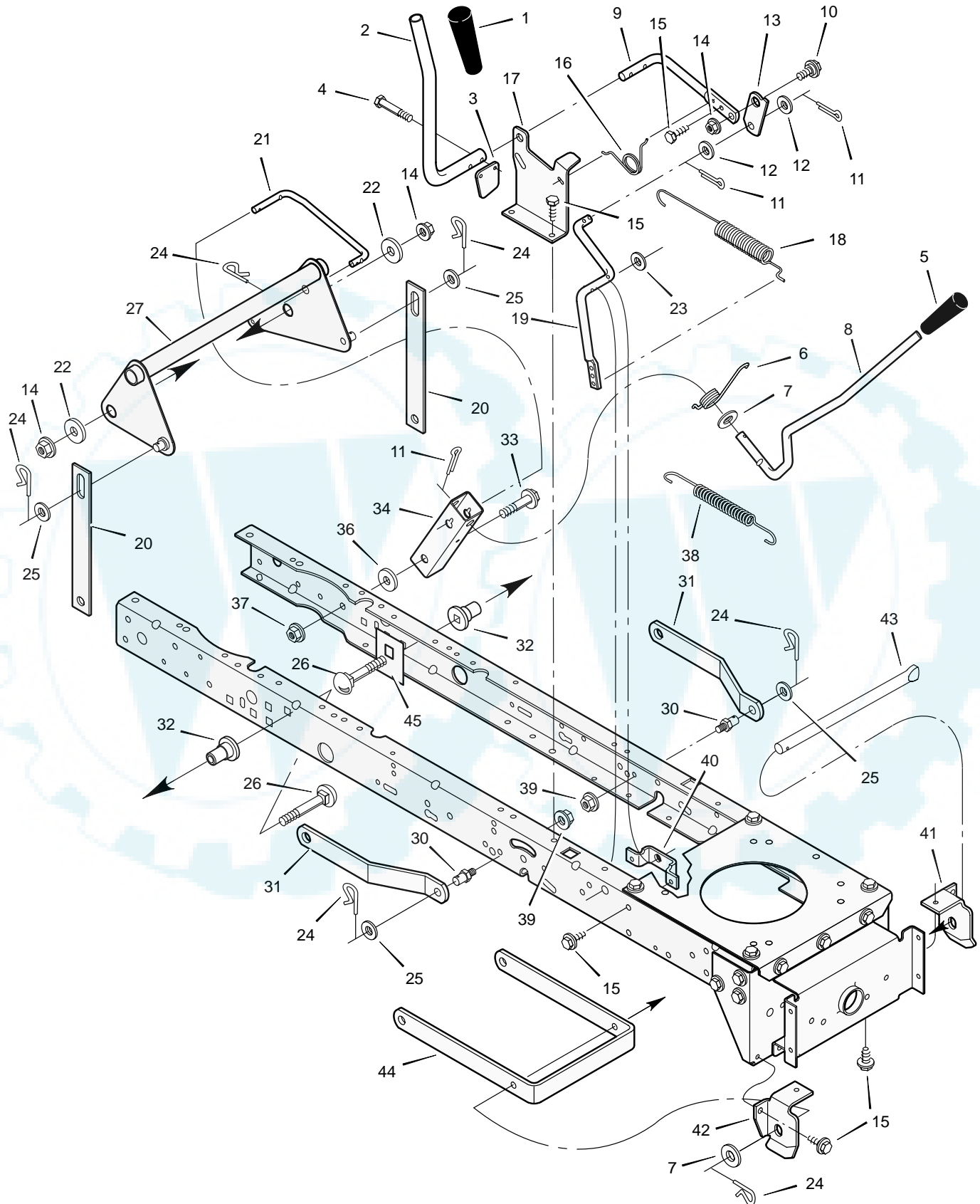
REPAIR PARTS STEERING

Key No.	Description	Part No.	Key No.	Description	Part No.
1	Wheel, Steering	95185	23	Washer	17x104
2	Post, Steering	690626	24	Washer	17x53 Z
3	Insert, Steering Wheel	711326	25	Nut, Flange	15x84
4	Bearing	94124	26	Axle Assembly	690210E700
5	Nut, Flange	15x111	27	Drag Link, Left	95329E700
6	Bolt, Shoulder	9x57	28	Spindle Assembly, Right	94575E700
7	Gear, Pinion	690183	29	Drag Link, Right	95328E700
8	Ring, Snap	11x25	30	Screw	26x249
9	Gear, Sector	94121E700	31	Bearing, Wheel	91334
10	Bearing	94123	32	Stem, Valve	24373
11	Bolt	1x84	33	Tire *	24380
12	Plate, Steering	690551E700	—	Tube	407924
13	Plate, Engine	94006	34	Wheel and Tire Assembly	94581-601
14	Nut, Flange	15x88	35	Washer	17x195
15	Nut, Flange	15x118	36	Washer	17x192
16	Bracket, Hanger	94013E700	37	Washer	17x113
17	Axle, Hanger	94007E700	38	Hub Cap	94618
18	Bolt	1x146	39	Screw	26x267
19	Pin, Cotter	30x49	40	Bellows	92059
20	Bearing	690150	41	Bolt	25x3
21	Spindle Assembly, Left	94576E700	43	Washer	17x146
22	Bolt	1x111			

* When you order a tire, make sure to give the brand name of the tire so that the tread pattern on the tire will match.

MODEL 42571x14A

REPAIR PARTS MOWER HOUSING SUSPENSION



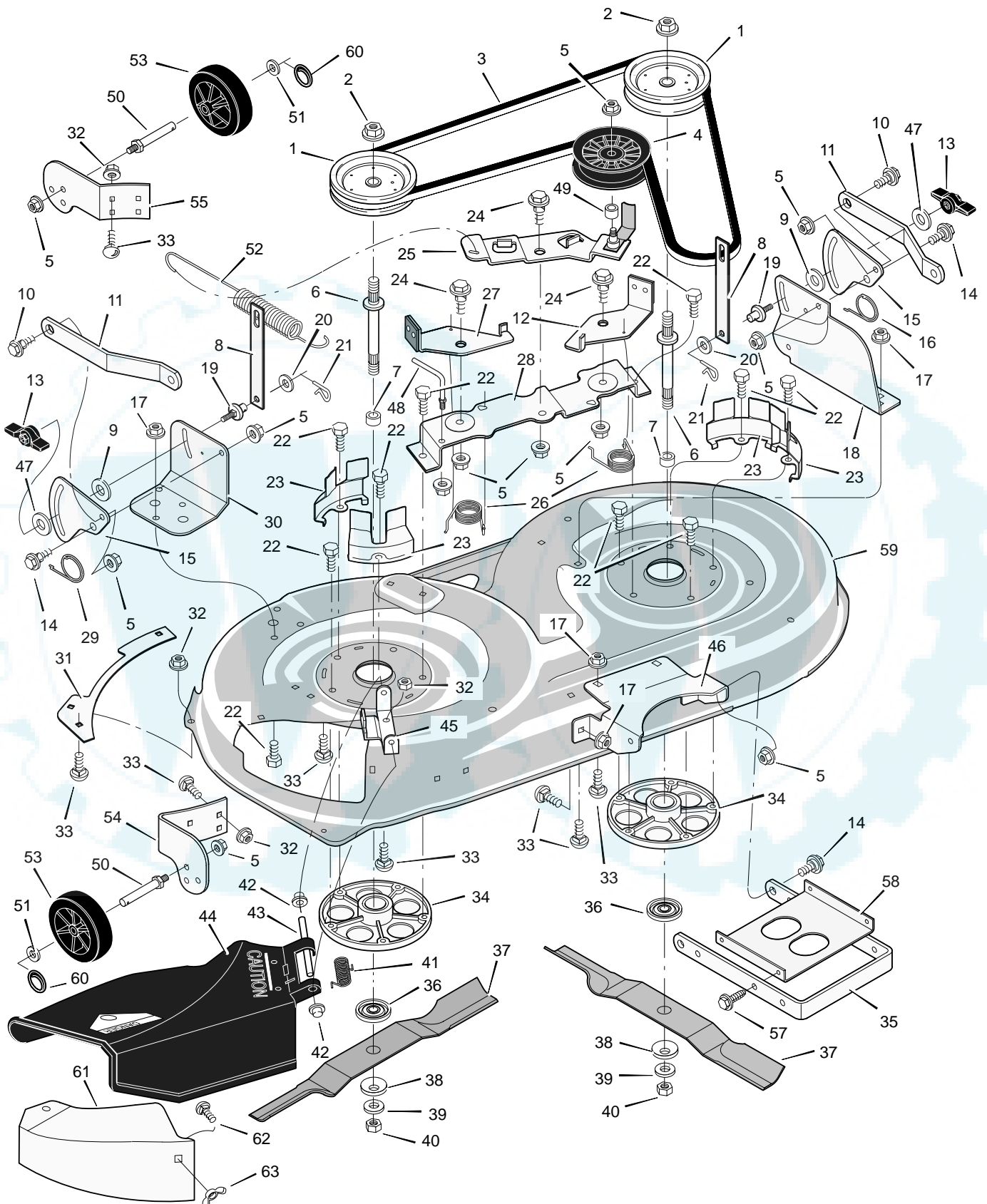
MODEL 42571x14A

REPAIR PARTS MOWER HOUSING SUSPENSION

Key No.	Description	Part No.	Key No.	Description	Part No.
1	Grip	92698	22	Washer	17x168
2	Handle, PTO	94100 Z	23	Washer	17x57
3	Pad, Switch	94022 Z	24	Pin, Hair	31x4
4	Bolt	25x3	25	Washer	17x91 Z
5	Grip	92697	26	Bolt, Carriage	2x85
6	Spring	166x40	27	Lever Assembly, Lift	690363E700
7	Washer	17x103	30	Pin	94067
8	Lever, Lift	690533	31	Bracket, Rear Suspension	94055E700
9	Lever, PTO	94017 Z	32	Spacer, Lifter	690151
10	Bolt, Shoulder	9x39	33	Bolt, Shoulder	9x53
11	Pin, Cotter	30x20	34	Bracket, Pivot	94015E700
12	Washer	17x102	36	Washer	17x191
13	Link, PTO	94004 Z	37	Nut, Flange	15x84
14	Nut, Flange	15x84	38	Spring	165x131
15	Screw	26x249	39	Nut, Flange	15x68
16	Spring	166x39	40	Bracket, PTO	94005E700
17	Bracket, PTO	94018E700	41	Hanger, Left Deck	94027E700
18	Spring	165x119	42	Hanger, Right Deck	94026E700
19	Crank, PTO	690394E700	43	Rod, Hanger	94158Z
20	Link, Lift	690212E700	44	Bracket, Suspension	94058E700
21	Link, Lift Handle	690122E700	45	Plate, Stiffening	690389E700

MODEL 42571x14A

REPAIR PARTS MOWER HOUSING



MODEL 42571x14A

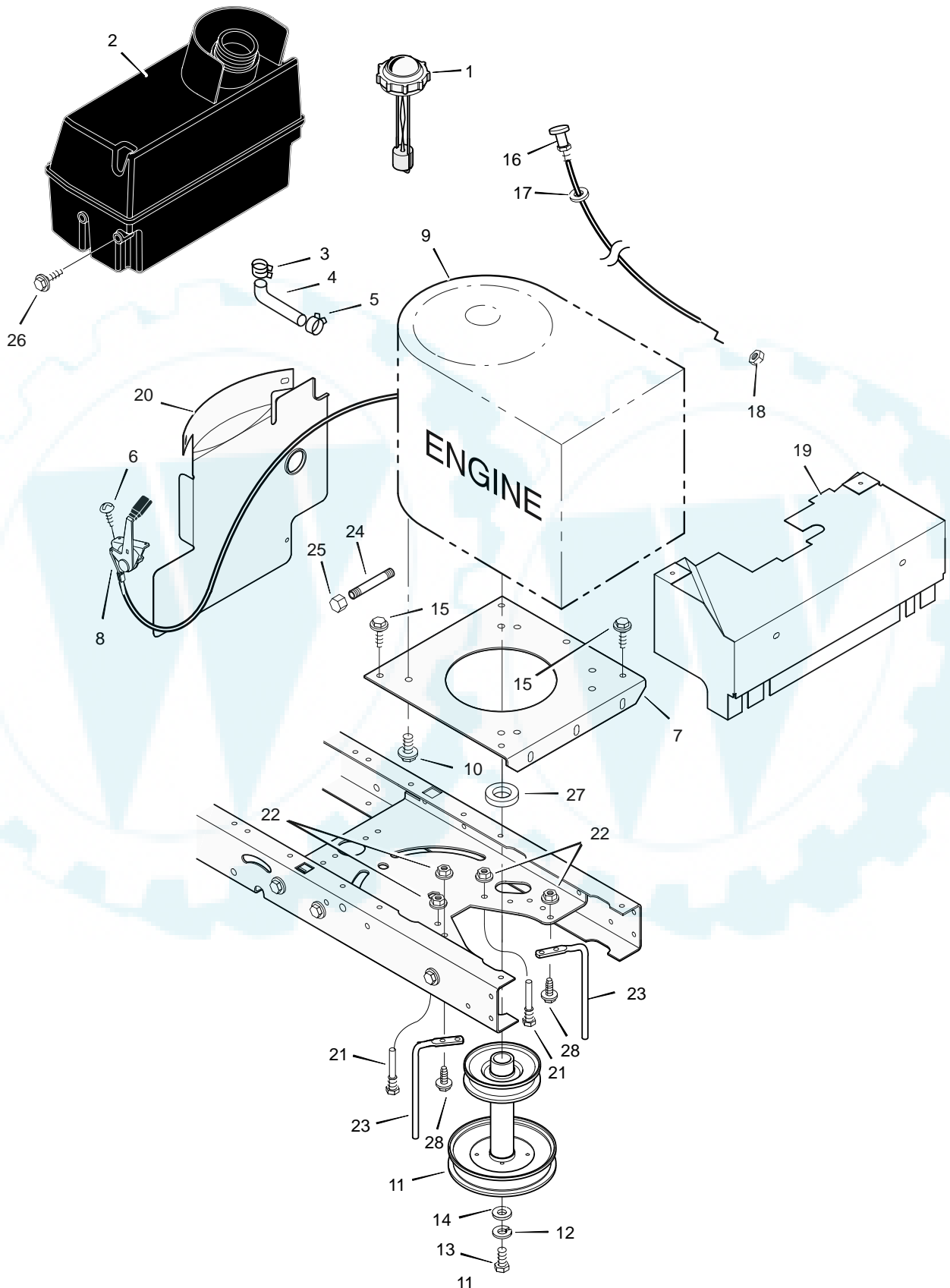
REPAIR PARTS MOWER HOUSING

Key No.	Description	Part No.	Key No.	Description	Part No.
1	Pulley, Jackshaft	94199	33	Bolt, Carriage	2x53
2	Nut, Hex	15x121	34	Mandrell Housing	92574
3	Belt, Mower Drive	37x88	35	Bracket, Suspension	94058E700
4	Pulley, Idler	690387	36	Adapter, Blade	92466
5	Nut, Flange	15x84	37	Blade	95100E701
6	Jackshaft	94129	38	Washer	17x166
7	Spacer	94130	39	Washer	17x165
8	Link, Lift	690212E700	40	Nut	15x100
9	Pad, Friction	94137	41	Spring	166x4
10	Bolt, Shoulder	9x52	42	Cap, Push On	28x23
11	Bracket, Suspension	94055E700	43	Rod, Deflector	94957 Z
12	Pad Assembly, Left Brake	94049E700	44	Deflector Assembly	94707 SE
13	Knob	94068	45	Bracket, Deflector Hinge	94956E700
14	Bolt, Shoulder	9x51	46	Bracket, Front Hanger	94686E700
15	Plate, Suspension	94128E700	47	Washer	17x45 Z
16	Spring	166x43	48	Guide, Belt	94781
17	Nut, Flange	15x79	49	Spacer	690369
18	Bracket, Suspension	94192E700	50	Bolt, Axle	94025
19	Pin, Hanger	94194	51	Washer	17x91 Z
20	Washer	17x103	52	Spring, Extension	165x119
21	Pin, Hair	31x4	53	Wheel, Gage	92683
22	Bolt	25x7	54	Bracket, Right Wheel	92422E700
23	Cover, Pulley	94051E700	55	Bracket, Left Wheel	92423E700
24	Bolt, Shoulder	9x39	57	Screw	26x249
25	Arm, Idler	690408E700	58	Stiffener	94604E700
26	Spring	166x41	59	Housing, Blade *	94814E700
27	Pad Assembly, Right Brake	94047E700	60	Ring, Locking	31x11
28	Bracket, Brake	94193E700	1-60	Complete Mower Housing Assembly	776007
29	Spring	166x42	61	Plate, Mulcher	95080E700
30	Bracket, Suspension	94191E700	62	Bolt, Carriage	2x64
31	Plate	92426E700	63	Wingnut	14x86
32	Nut, Flange	15x88			

* Includes Key No. 17, 18, 30, 31, 32, 33, 45, 46, 53, 54, 55, and 56.

MODEL 42571x14A

REPAIR PARTS ENGINE MOUNT



MODEL 42571x14A

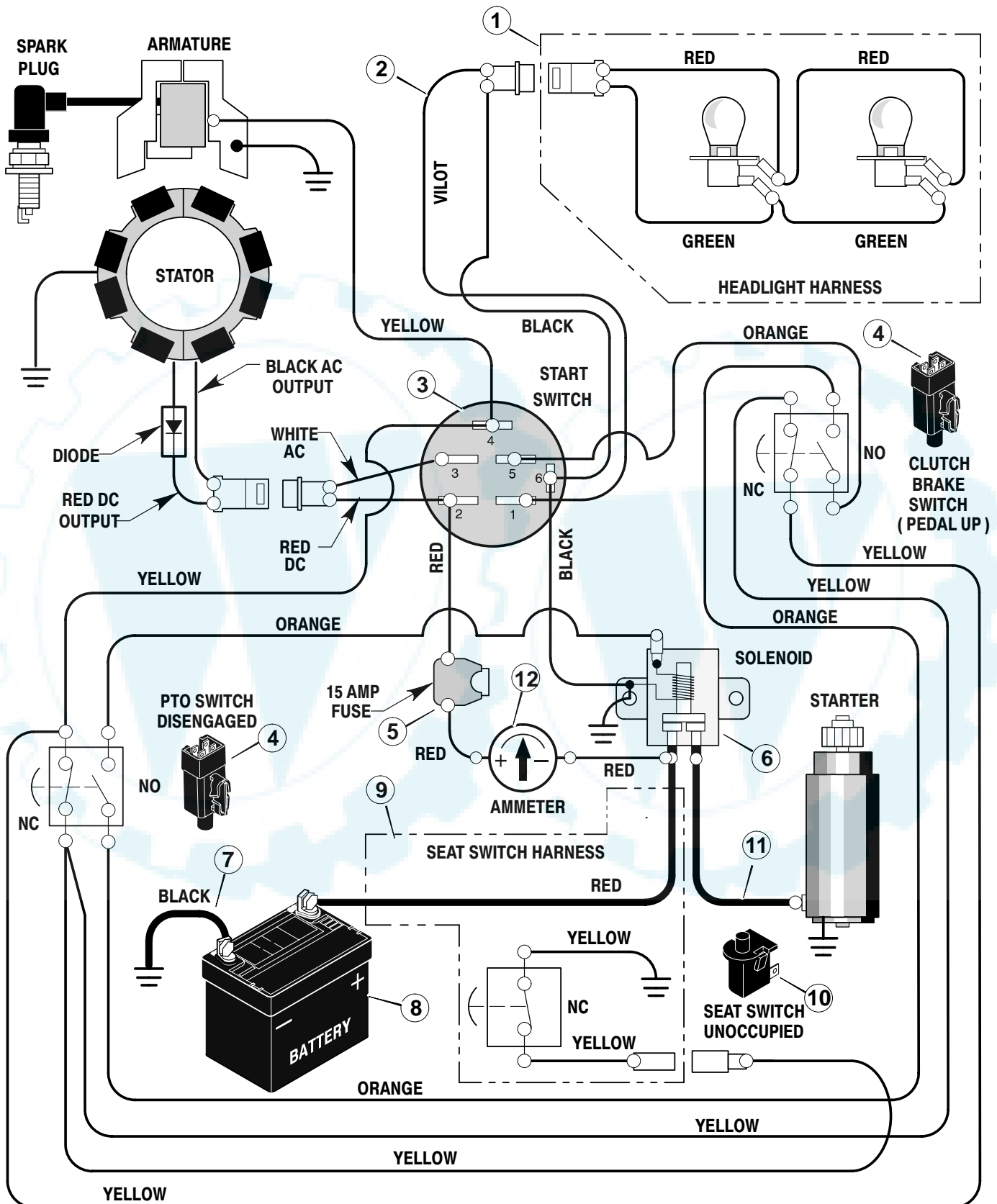
REPAIR PARTS ENGINE MOUNT

Key No.	Description	Part No.
1	Fuel Cap	91349
2	Fuel Tank	93148
3	Hose Clamp	95197
4	Fuel Line	23717
5	Hose Clamp	95197
6	Screw	26x201
7	Plate, Engine	94006E700
8	Throttle Control	93165
9	Engine*	—
—	Muffler	95198
—	Gasket, Muffler	95208
—	Liner, Port (Muffler)	95200
10	Bolt, Engine Mount	25x7
11	Stack Pulley Assembly	690440 Z
12	Lockwasher	19x35
13	Bolt, Hex	1x140
14	Washer	17x170
15	Screw	26x249
16	Choke	690401
17	Washer	19x8
18	Nut	15x33
19	Baffle, Front Engine	93188E700
20	Baffle, Rear Engine	93078E700
21	Guide, Belt	94384
22	Nut, Flange	15x79Z
23	Guide, "L" Belt	91797 S
24	Pipe, Oil Drain	92279
25	Cap, Oil Drain	21651
26	Screw	26x253
27	Spacer	93077
28	Screw	25x15

* Parts are available from an Authorized Service Center. See "Engines, Gasoline" or "Gasoline Engines" in the yellow pages of the telephone directory.

MODEL 42571x14A

REPAIR PARTS ELECTRICAL SYSTEM



MODEL 42571x14A

REPAIR PARTS ELECTRICAL SYSTEM

Key No.	Description	Part No.
1	Harness, Light Wire	250x92
	Socket, Light	92372
	Bulb, Light	90084
2	Harness, Chassis Wire	250x86
3	Switch, Ignition	92377
	Key, Ignition	20729
	Nut, Hex	91489
	Cap, Ignition	91488
4	Switch, Limit	94136
5	Fuse	54212
	Holder, Fuse	407078
6	Solenoid	94613
	Screw, Mounting	26x229
	Locknut	15x116
7	Cable, Battery Ground	24x32
	Screw, Ground Cable	26x213
8	Battery	21075
	Bolt, Carriage	2x82
	Wingnut	14x79
9	Harness, Seat Switch Wire	250x67
10	Switch, Seat Sensor	94159
11	Cable	24x31
12	Ammeter	93156
—	Harness, AC/DC Jumper	250x90