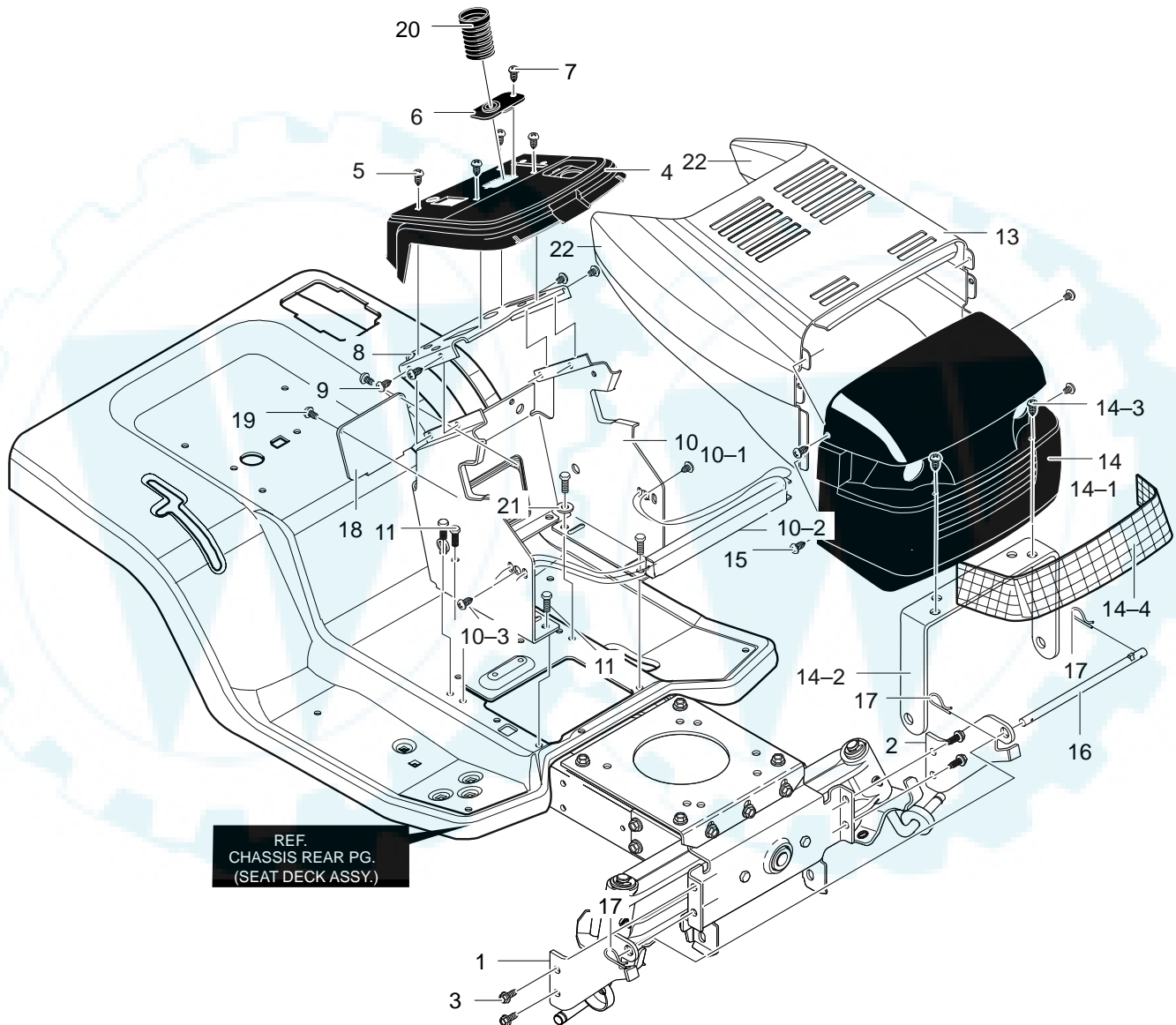


MODEL 425601x53A

**REPAIR PARTS
CHASSIS & HOOD ASSEMBLY**



TD4000

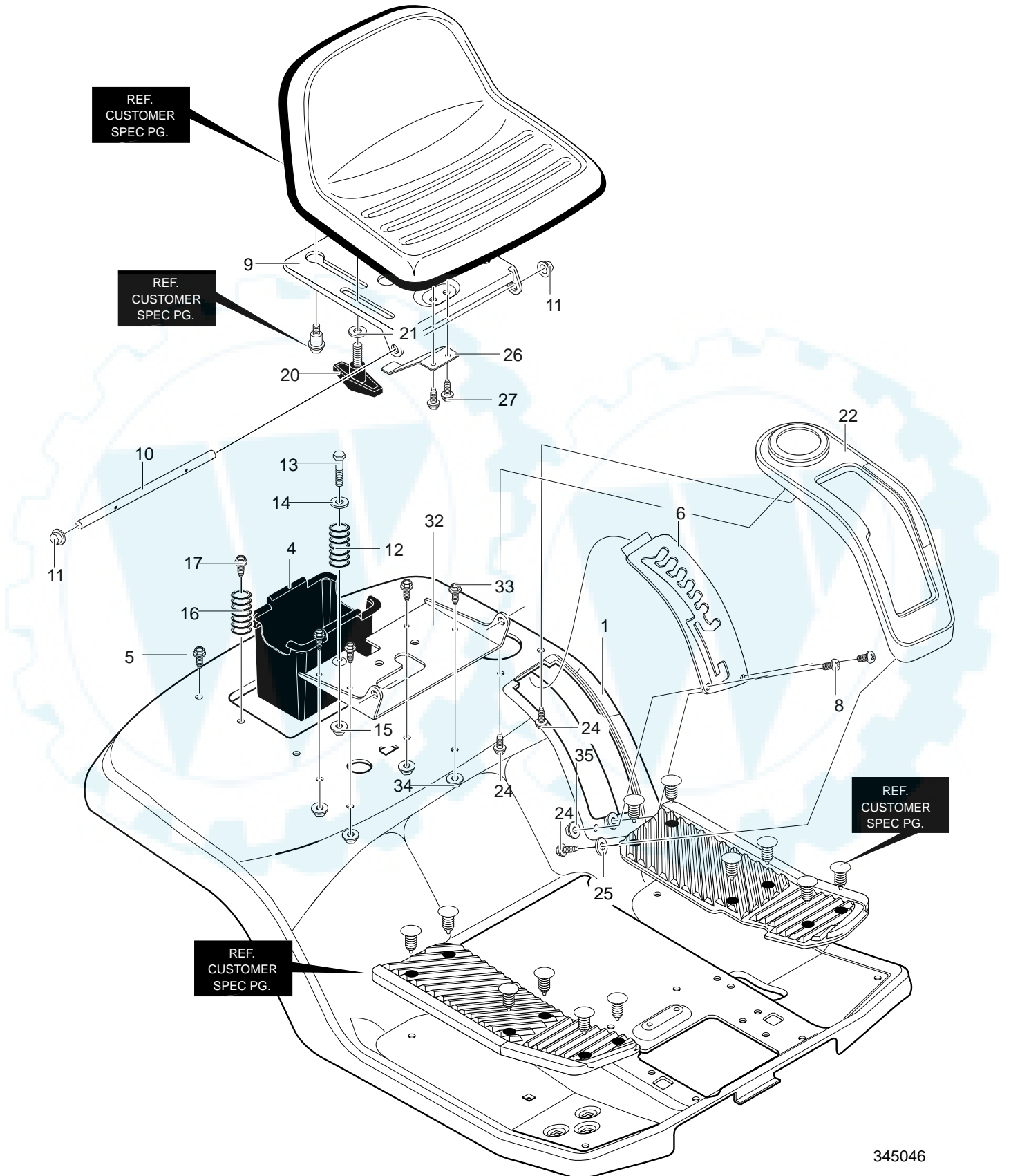
MODEL 425601x53A

**REPAIR PARTS
CHASSIS & HOOD ASSEMBLY**

Key No.	Description	Part No.	Key No.	Description	Part No.
1	BRACKET, RIGHT GRILLE RH	690543-853	13	HOOD	94971-819
2	BRACKET, LEFT GRILLE	690544-853	14	ASSEMBLY, GRILLE	93149
3	SCREW 5/16-18X.75	711606	14-1	GRILLE	93138
4	DASH	94843	14-2	LENS	93139
5	SCREW, 10-24X.500	711629	14-3	BRACE, HOOD	93190
6	BEARING, UPPER	94219	14-4	SCREW	710282
7	SCREW 1/4-14X.50	710197	15	SCREW	711679
8	PLATE, DASH	94221-819	16	ROD, HOOD PIVOT	690599
9	SCREW, 10-24X.500	711629	17	PIN, HAIR	711676
10	ASSEMBLY, CONSOLE	690603-819	18	PANEL, ACCESS	93007-819
10-1	SUPPORT, DASH	95082	19	SCREW, 10-24X.500	711629
10-2	CHANNEL, SUPPORT	95081	20	BELLOWS, STEERING POST	92059
10-3	SCREW	710134	21	WASHER	712063
11	SCREW 5/16-18X.75	711606	—	BOOK, INSTRUCTION	F-000807J

MODEL 425601x53A

**REPAIR PARTS
REAR CHASSIS ASSEMBLY**



345046

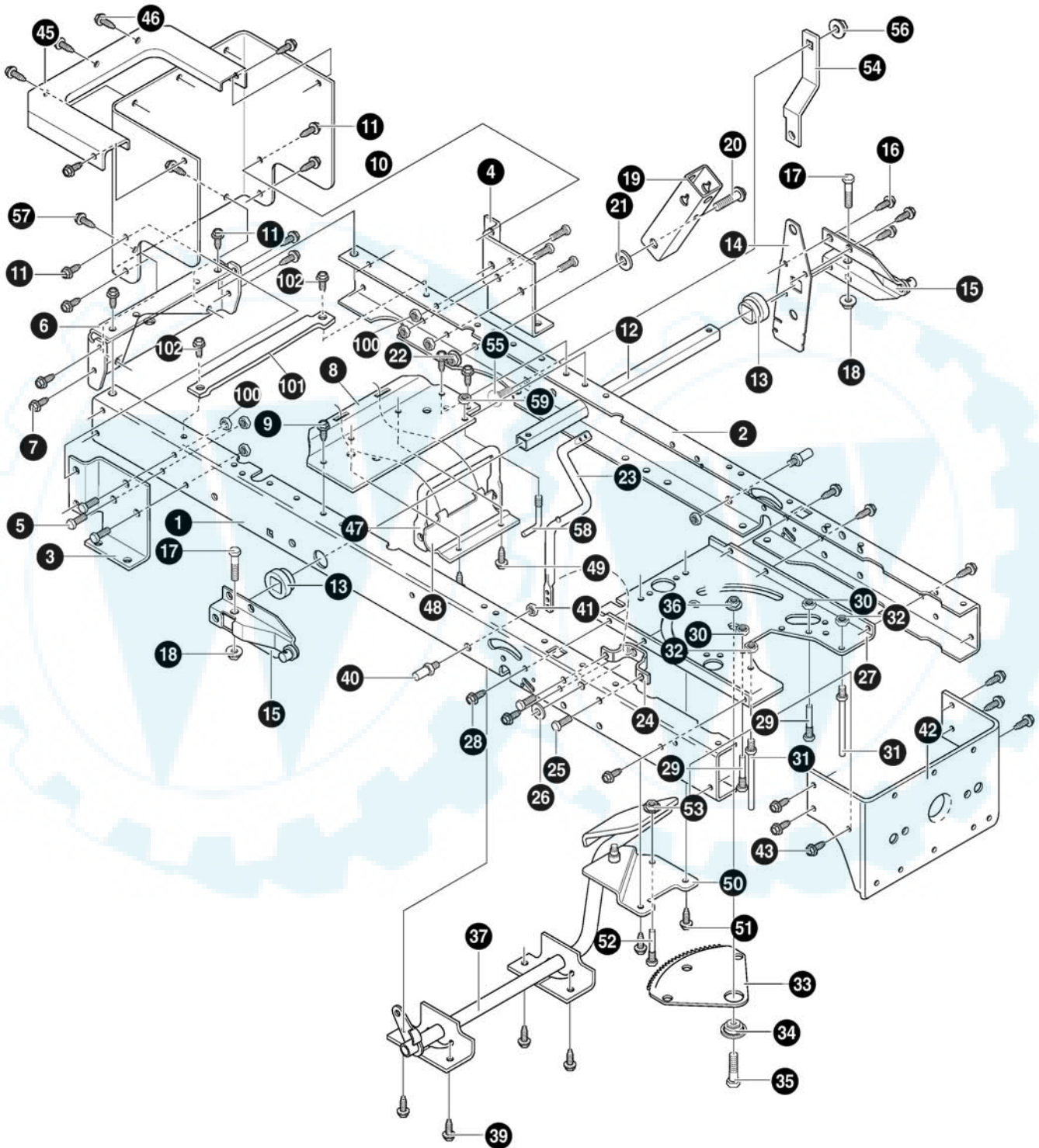
MODEL 425601x53A

REPAIR PARTS REAR CHASSIS ASSEMBLY

Key No.	Description	Part No.	Key No.	Description	Part No.
1	SEAT DECK	94629-819	17	SCREW	711606
4	CONTAINER, BATTERY	690424	20	BOLT, WING	711747
5	SCREW, 1/4-20X .63	711642	21	WASHER	711644
6	PLATE, LIFT	94886-853	22	COVER	94469
8	SCREW, 10-24X.500	711629	24	SCREW	711671
9	SUPPORT, SEAT	94154-819	25	WASHER	71067
10	HINGE, SEAT PIVOT	95294	26	SPRING - LEAF	94057
11	NUT, PUSH CAP	711627	27	SCREW, 1/4-20X.50	711592
12	SPRING, COMPRESSION	710136-853	32	BRACKET, PIVOT SEAT	94153-819
13	BOLT, SHOULDER	711610	33	SCREW, 5/16-18X.75	711606
14	WASHER, CUP	95293	34	NUT, 5/16-18	711634
15	NUT, 1/4-20	302635	35	NUT, #10-24	711842
16	SPRING, COMPRESSION	710109-853			

MODEL 425601x53A

**REPAIR PARTS
FRAME ASSEMBLY**



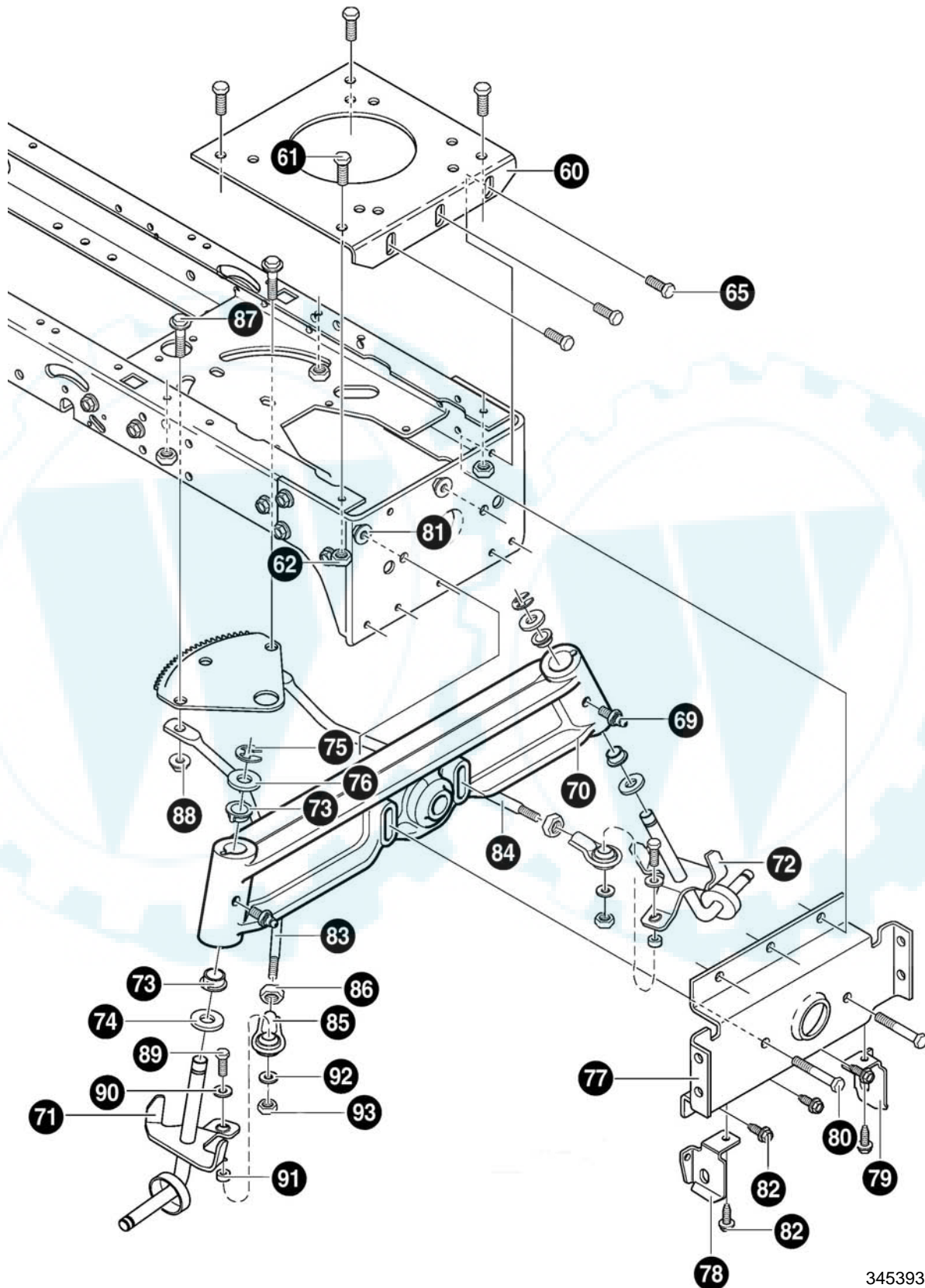
MODEL 425601x53A

REPAIR PARTS FRAME ASSEMBLY

Key No.	Description	Part No.	Key No.	Description	Part No.
1	RAIL-FRAME RH SHORT	95110	31	SCREW, GUIDE	94066
2	RAIL-FRAME LH SHORT	95111	32	NUT	015X79
3	BRACKET, RIGHT TRANSAXLE	94184	33	GEAR, SECTOR	94121
4	BRACKET, LEFT TRANSAXLE	94185	34	BEARING, SECTOR GEAR	94123
5	SCREW	26X249	35	SCREW	001X84
6	PLATE	1001002	36	NUT, HKEPS	15X113
7	SCREW	26X249	37	PEDAL	94632
8	BRACKET, IDLE	94431	39	SCREW	26X249
9	SCREW	26X249	40	PIN, THREADED SHOULDER	94067
10	PLATE, REAR	690218	41	NUT, 3/8-16	45171
11	SCREW	26X249	42	BRACKET, REAR HANGER	94013
12	TUBE, LIFTER	94063	43	SCREW	26X249
13	BUSHING, LIFT TUBE	94065	45	PLATE, REAR SEAT	94186
14	PLATE, LIFT ARM	94030	46	SCREW	26X270
15	LEVER, LIFT ARM	94180	47	ROD, TRUNNION YOKE	94425
16	SCREW	026X49	48	CLAMP, TRUNNION	94434
17	SCREW	001X74	49	SCREW	26X249
18	LOCKNUT, FLANGE	15X118	50	IDLER, INTERMEDIATE	94409
19	BRACKET, PIVOT	94015	51	SCREW	26X277
20	BOLT	009X53	52	SCREW, GUIDE	93349
21	WASHER	17X191	53	NUT	015X79
22	NUT	015X84	54	STRAP, TORQUE	94433
23	CRANK, PTO	690394	55	BOLT	002X53
24	BRACKET, BELL CRANK	94005	56	NUT	015X88
25	SCREW	26X249	57	BOLT	0025X7
26	WASHER, FLAT	120395	58	SCREW, GUIDE	94781
27	PLATE, STEERING	1001024	59	NUT	015X79
28	SCREW	26X249	100	NUT	015X88
29	SCREW, GUIDE	93349	101	BATTERY, SUPPORT	690482
30	NUT	015X79	102	SCREW	26X249

MODEL 425601x53A


**REPAIR PARTS
FRAME ASSEMBLY**



345393 (2,2)

MODEL 425601x53A

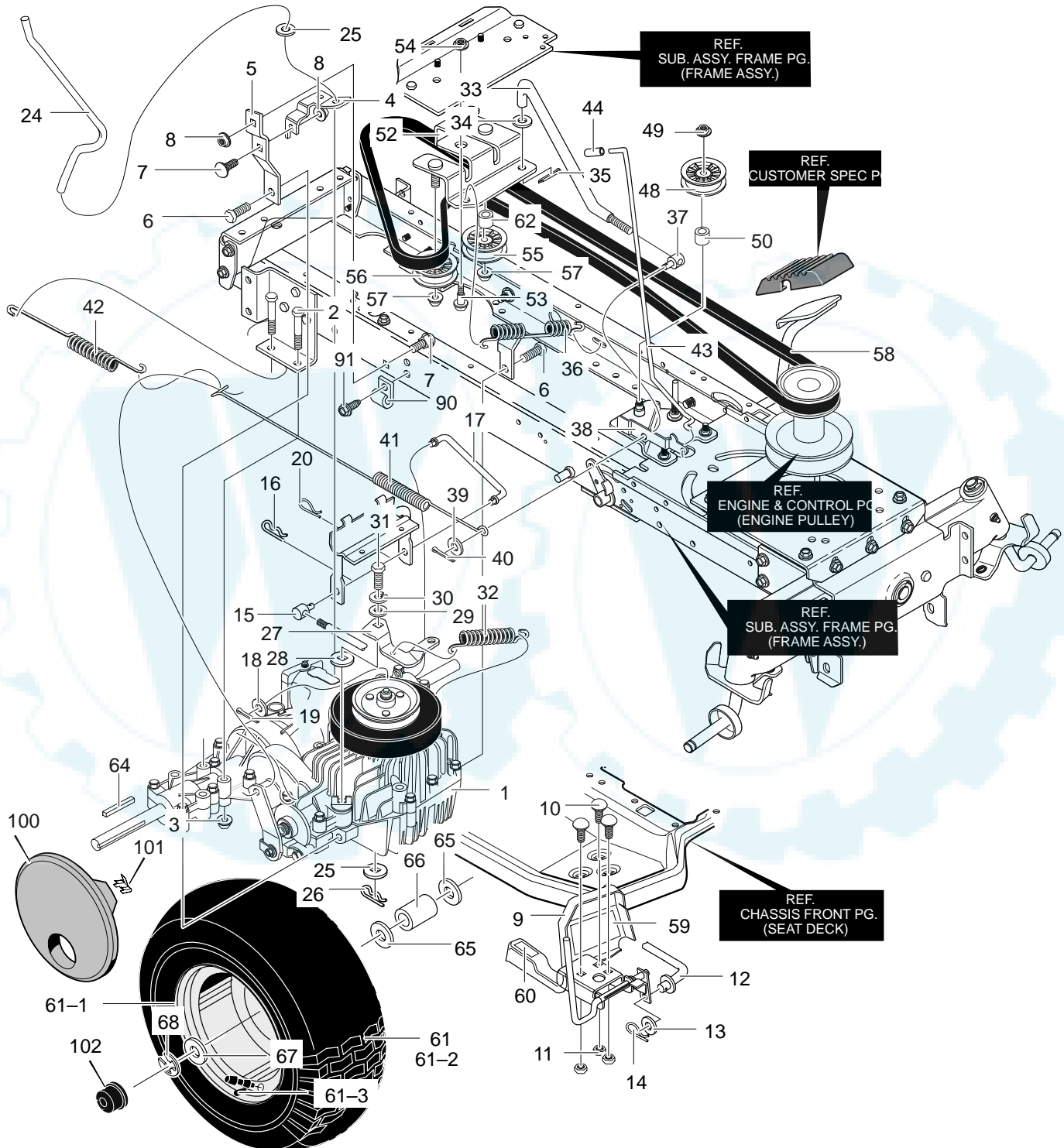
REPAIR PARTS FRAME ASSEMBLY



Key No.	Description	Part No.
60	PLATE, ENGINE	94006
61	SCREW	26X249
62	NUT	015X88
65	SCREW	26X249
69	ZERK, GREASE FITTING	706
70	AXLE, FRONT	343710
71	SPINDLE, RIGHT	94732
72	SPINDLE, LEFT	94733
73	BEARING, SPINDLE	92527
74	WASHER	17X195
75	E-RING	0011X3
76	WASHER	17X195
77	HANGER, AXLE	94007
78	HANGER, RIGHT DECK	94026
79	HANGER, LEFT DECK	94027
80	SCREW	01X146
81	NUT	15X118
82	SCREW	26X249
83	ROD, ADJUSTER	94767
84	ROD, ADJUSTER	94768
85	ROD END, TIE	94766
86	NUT	7058
87	BOLT	009X57
88	NUT	015X84
89	BOLT	310364
90	WASHER	711672
91	SPACER	319618
92	WASHER	301188
93	NUT	1499

MODEL 425601x53A

REPAIR PARTS MOTION DRIVE



MODEL 425601x53A

REPAIR PARTS MOTION DRIVE

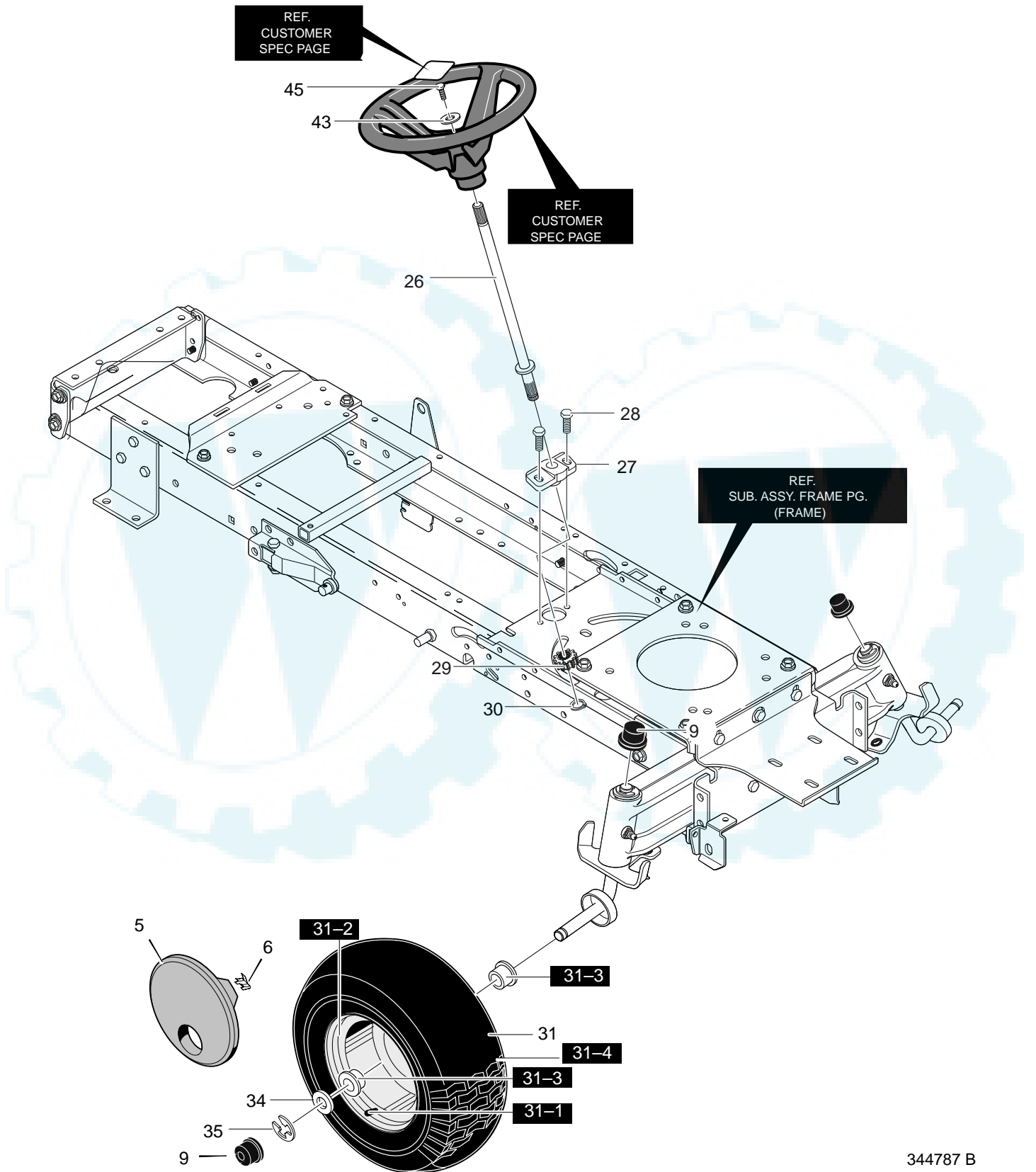
Key No.	Description	Part No.	Key No.	Description	Part No.
1	TRANSAXLE, PEERLESS	94800	39	WASHER, FLAT	711623
2	SCREW	711669	40	PIN, COTTER	71081
3	NUT, 5/16-18	711634	41	SPRING, EXTENSION	710333
4	BRACKET, DISCONNECT	94429-853	42	SPRING, TENSION	710353
5	STRAP, RIGHT TORQUE	94432-853	43	ROD, PARKING BRAKE	690047
6	SCREW, 5/16-18X.75	710268	44	GRIP	91079
7	BOLT, CARRIAGE	711661	48	PULLEY, IDLER	690409
8	NUT, 5/16-18 HEX	710026	49	NUT, 3/8-16	711920
9	PEDAL ASSEMBLY, HYDRO	690013-853	50	SPACER 1/2 TO 17MM	690369
10	BOLT, 5/16-18X .75	711688	52	BRACKET, IDLER	95305
11	NUT, 5/16-18 HEX	710026	53	BOLT	711613
12	ROD, PEDAL LINK	95278	54	NUT, 3/8-16	711622
13	WASHER	711761	55	PULLEY, IDLER	690409
14	PIN, HAIR	711676	56	PULLEY, IDLER	690410
15	ADJUST NUT	711594	57	NUT, 3/8-16	711920
16	PIN, HAIR	711682	58	BELT, MOTION DRIVE	710531
17	ROD, HYDRO LINK	95279	59	PAD, CONTROL PEDAL	94798
18	WASHER, FLAT	711617	60	PAD, TOE	93249
19	PIN, COTTER	71081	61	TIRE & RIM 20X8.00-8	692511
20	PIN, HAIR	711676	61-1	RIM	338524
24	ROD, DISCONNECT	95298	61-2	TIRE	338525
25	WASHER	711644	61-3	VALVE STEM	338512
26	PIN, COTTER	71081	62	SPACER 1/2 TO 17MM	690369
27	ARM, DISCONNECT	95299	64	KEY, SQUARE	52928
28	WASHER	17X148	65	WASHER	711648
29	WASHER	710657	66	SPACER	95274
30	WASHER	710249	67	WASHER	711758
31	SCREW, 1/4-28 X.75 NYLON	01X145	68	E-RING	0011X3
32	SPRING, EXTENSION	710330	70	SPACER 1/2 TO 17MM	690369
33	ROD, CLUTCH	95297	90	RETAINER, WIRE	711742
34	WASHER	711644	91	SCREW	711606
35	PIN, COTTER	71081	100	CAP, HUB	334427
36	SPRING, CLUTCH	710707	101	RETAINER	306669
37	NUT, ADJUSTING	711596	102	COVER, DUST	094618
38	LATCH, PARK BRAKE	95290			

* Contact your nearest transaxle dealer for parts and service.

For information on Replacement Parts see the Central Parts Distributor in your area.

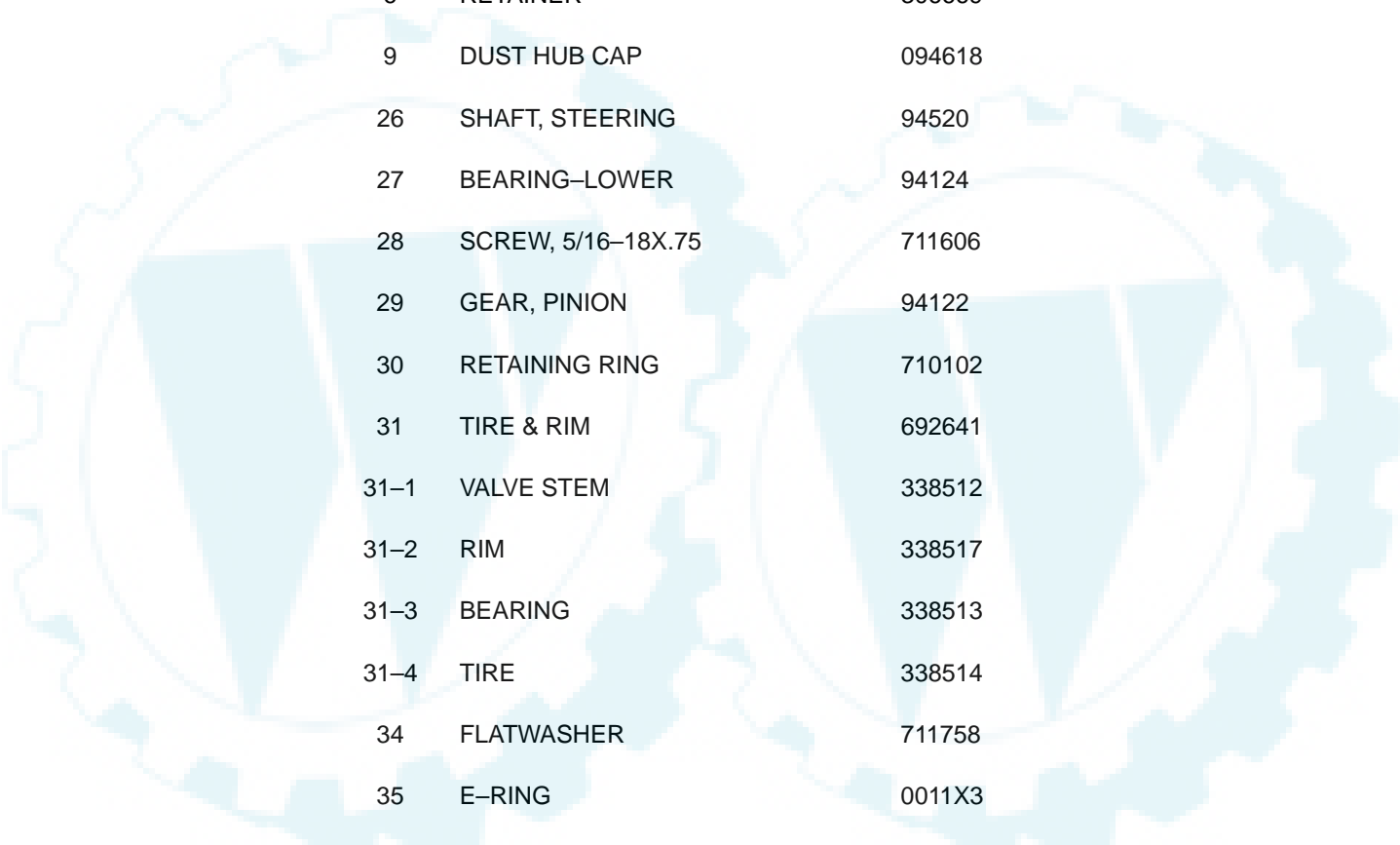
MODEL 425601x53A

REPAIR PARTS STEERING



MODEL 425601x53A

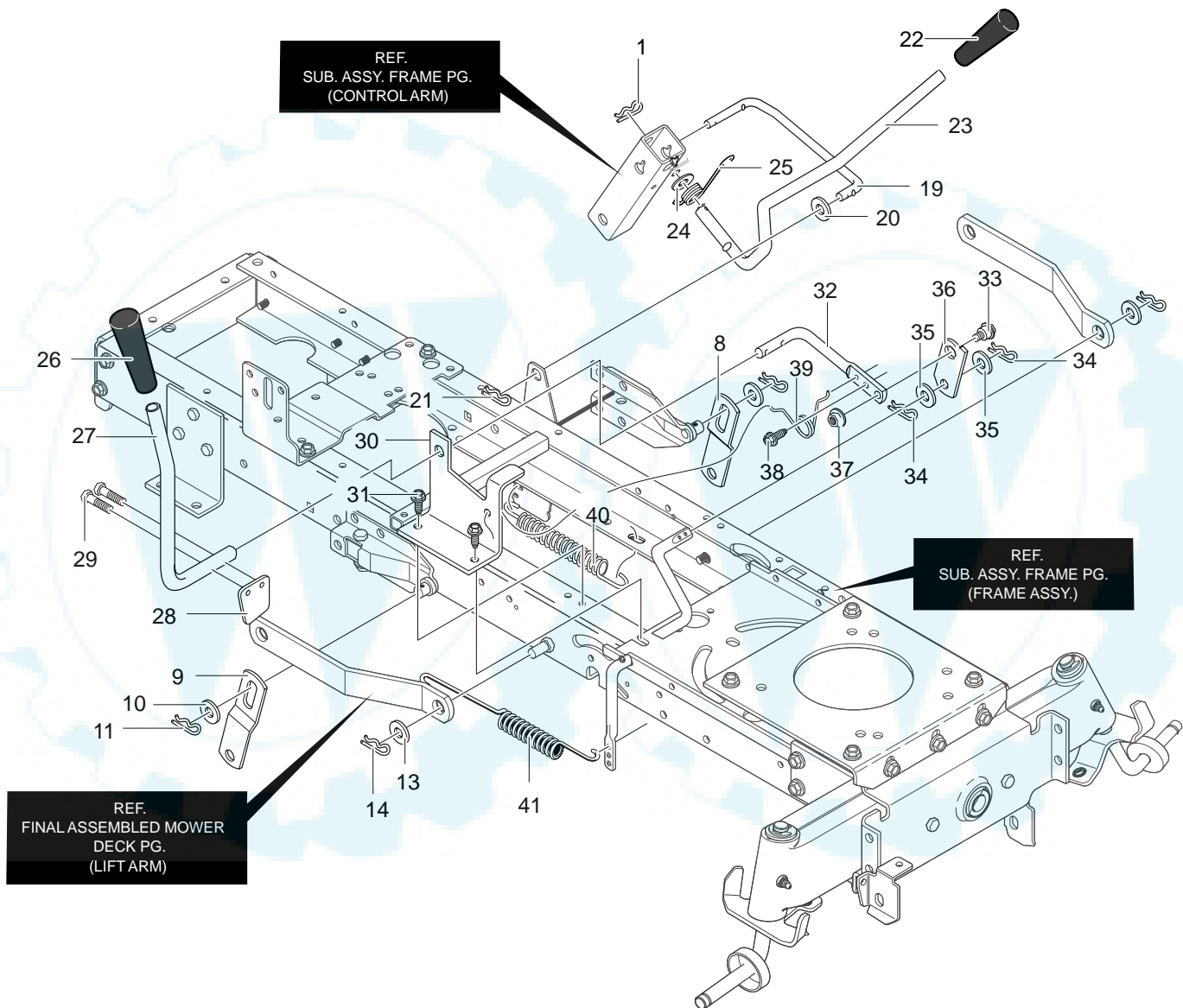
**REPAIR PARTS
STEERING**



Key No.	Description	Part No.
5	HUB CAP, 6"	334429
6	RETAINER	306669
9	DUST HUB CAP	094618
26	SHAFT, STEERING	94520
27	BEARING-LOWER	94124
28	SCREW, 5/16-18X.75	711606
29	GEAR, PINION	94122
30	RETAINING RING	710102
31	TIRE & RIM	692641
31-1	VALVE STEM	338512
31-2	RIM	338517
31-3	BEARING	338513
31-4	TIRE	338514
34	FLATWASHER	711758
35	E-RING	0011X3
43	FLAT WASHER	711720
45	SCREW 1/4-20X.75	711719

MODEL 425601x53A

REPAIR PARTS MOWER SUSPENSION ASSEMBLY



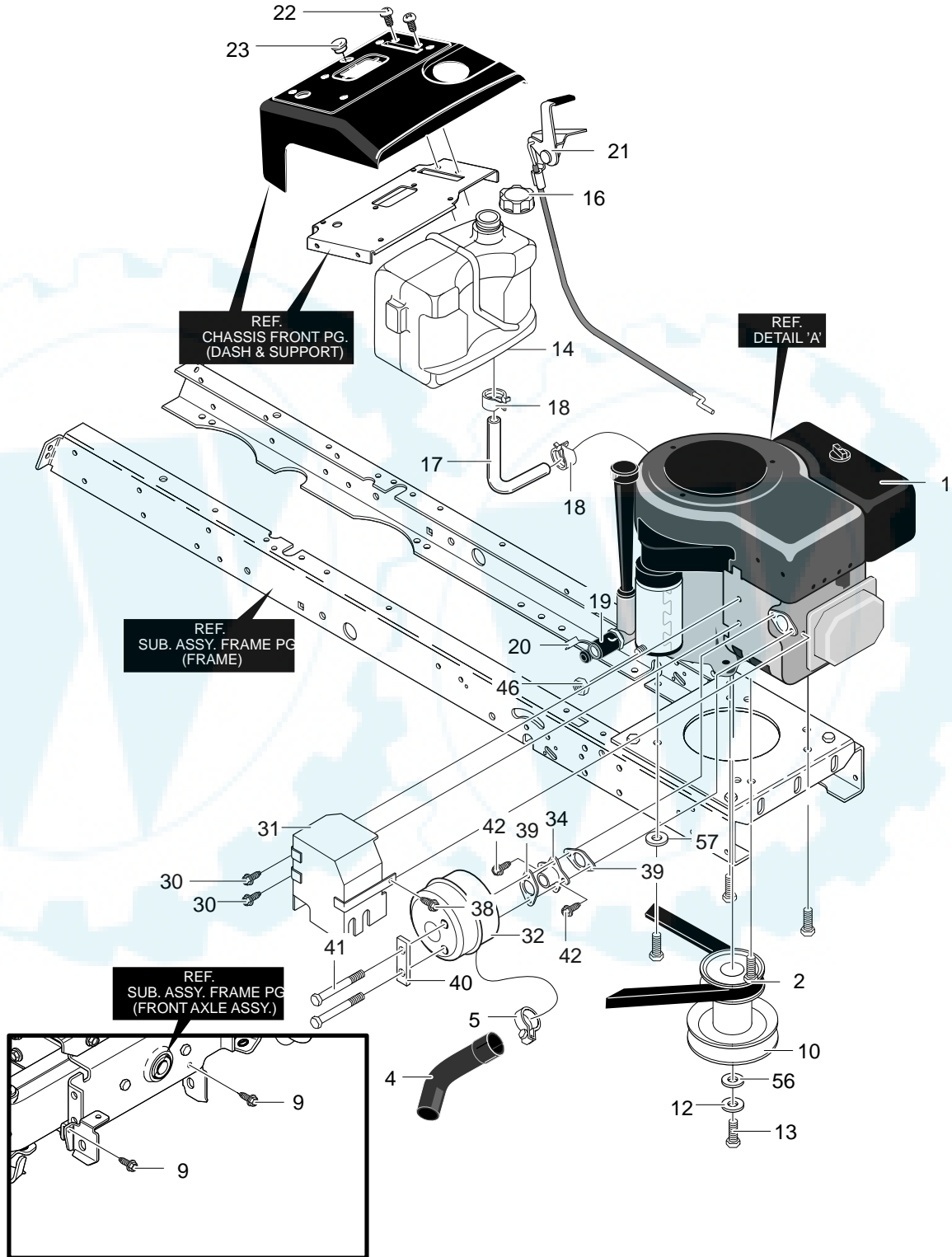
MODEL 425601x53A

**REPAIR PARTS
MOWER SUSPENSION ASSEMBLY**

Key No.	Description	Part No.	Key No.	Description	Part No.
1	Hair Pin	711676	27	PTO Handle	690050
8	Link, Lift LH	94611-853	28	Paddle Switch	95284
9	Link, Lift RH	94053-853	29	Screw, Thd Form	711621
10	Flat washer	711617	30	Bracket, PTO	94018-853
11	Hair Pin	711676	31	Screw, 5/16-18x.50	780055
13	Flat washer	711617	32	Lever, PTO	95283
14	Hair Pin	711676	33	Bolt, Shoulder 3/8-16	711613
19	Link, Lift Handle	95285	34	Hair Pin	711659
20	Flat washer	711617	35	Washer, Flat	711615
21	Hair Pin	711676	36	Link PTO	95282
22	Grip	94497	37	Nut, 3/8-16	711622
23	Handle, Lift	690532	38	Screw, 5/16-18x.75	711606
24	Washer, Flat	711616	39	Torsion Spring	710141
25	Torsion Spring	710111	40	Spacer	165x117
26	Grip	94496	41	Spring, Extension	710208

MODEL 425601x53A

REPAIR PARTS
ENGINE AND CONTROL ASSEMBLY



INSET 'A'

MODEL 425601x53A

**REPAIR PARTS
ENGINE AND CONTROL ASSEMBLY**

Key No.	Description	Part No.	Key No.	Description	Part No.
1	ENGINE	95243	30	SCREW	712099
2	BOLT 3/8 X 1.25	0025x7	31	HEAT SHIELD ASSEMBLY	94324
4	PIPE, EXHAUST	92559	31-1	SHIELD, HEAT B/S	95037
5	CLAMP ASSEMBLY	92558	31-2	RIVET, POP	46763
9	SCREW	711606	31-3	BRACKET, RIGHT	92554
10	PULLEY, STACK	690450	31-4	BRACKET, LEFT	92555
12	WASHER	120383	31-5	PLATE, HEAT SHIELD	92552
13	BOLT	1X169	32	MUFFLER, ROUND	95206
14	TANK, FUEL	92597	34	MUFFLER ADAPTER	95207
16	FUEL CAP	92317	38	SCREW	711642
17	TUBING	47452	39	GASKET, MUFFLER	91309
18	CLAMP, FUEL LINE	336890	40	BRACKET, LOCK	92378
19	OIL DRAIN VALVE ASSEMBLY	325547	41	BOLT	712100
20	CAP, OIL DRAIN VALVE	327422	42	SCREW	06X103
21	THROTTLE, CONTROL	94361	46	NUT, 1/4-20	711601
22	SCREW	711637	56	WASHER	17X170
23	PLUG, DASH	93160	57	WASHER	711668

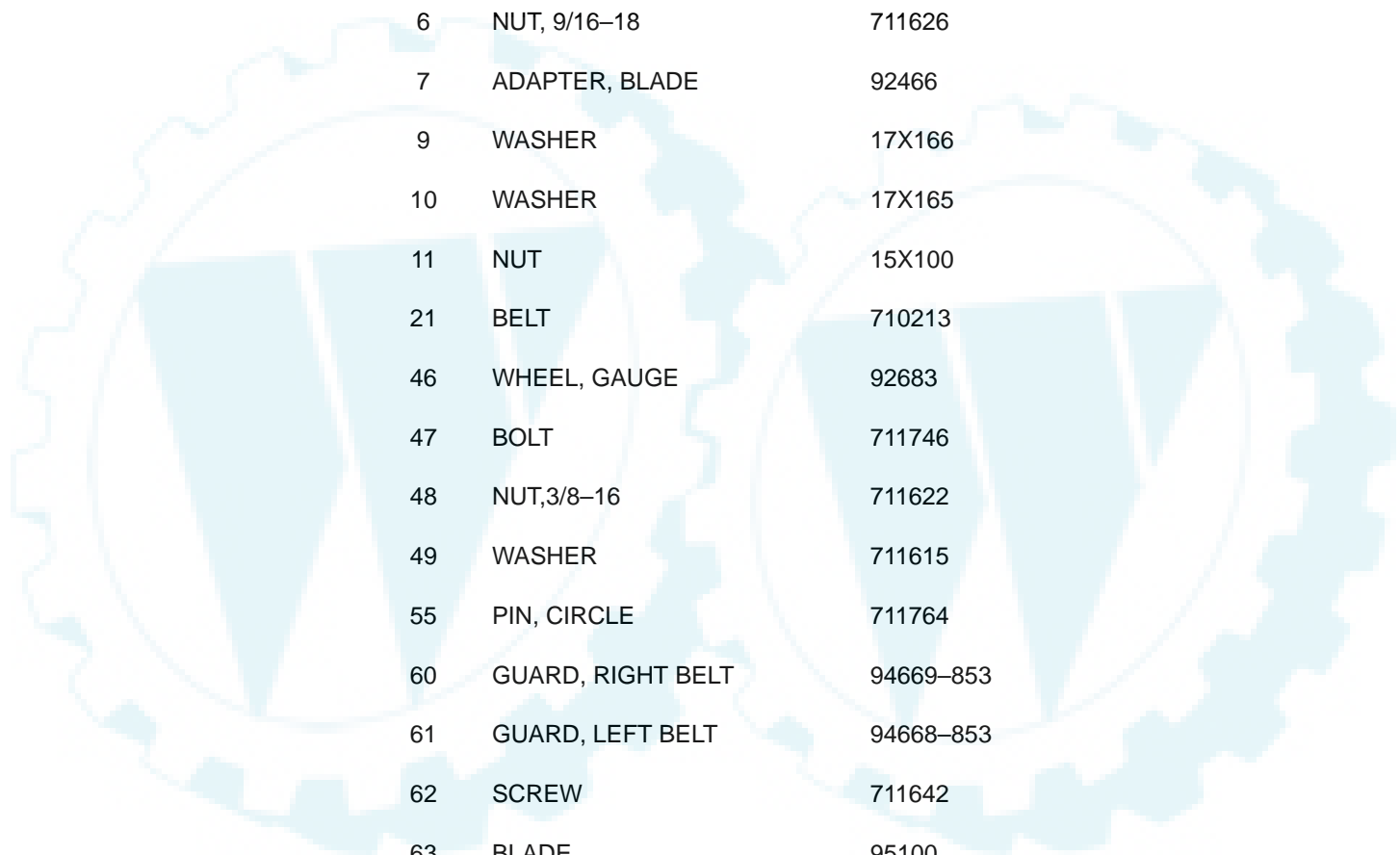
MODEL 425601x53A

REPAIR PARTS DECK ASSEMBLY

Key No.	Description	Part No.	Key No.	Description	Part No.
1	ASSEMBLY, BLADE HOUSING	94189-853	23	BOLT, SHOULDER	711611
12	BOLT-3/8 X 1.25	0025X7	24	SPRING, TORSION	710113
13	COVER, BELT GUIDE	94051-853	25	SPRING, TORSION	710112
14	ASSEMBLY, IDLER BRACKET	690138-853	26	NUT	711622
14-1	BRACKET, BRAKE	94193	27	WINGNUT	711600
14-2	ASSEMBLY, RIGHT BRAKE	94047	28	PAD, FRICTION	94137
14-3	ASSEMBLY, LEFT BRAKE	94049	29	WASHER	711628
14-4	SPRING, TORSION	710227	36	PIN, HANGER	711595
14-5	BOLT	710098	37	NUT	711622
14-6	NUT	015X84	39	DEFLECTOR, CHUTE	94687
14-7	SCREW, GUIDE	94781	40	ROD, CHUTE DEFLECTOR	95303
14-8	ASSEMBLY, IDLER ARM	690408	41	SPRING, TORSION	710194
14-9	NUT	015X88	42	NUT, PUSH CAP	711627
17	SPACER 1/2 TO 17MM	690369	43	ASSEMBLY, STIFFENER	690058-853
18	PULLEY, IDLER	690451	43-1	BRACKET, SUSPENSION	94058
19	NUT, 3/8-16	711920	43-2	STIFFENER, DECK	95057
20	ASSEMBLY, LEFT LIFTER	341594-853	43-3	SCREW	26X249
20-1	PLATE, SUSPENSION	94128	44	BOLT, SHOULDER	711611
20-2	BRACKET, SUSPENSION	94055	45	NUT	711622
20-3	BOLT, SHOULDER	009X52	50	BRACKET, CHUTE	94956-853
20-4	NUT, FLANGE	015X84	51	BOLT, CARRIAGE	711661
22	ASSEMBLY, RIGHT LIFTER	341593-853	52	NUT	711634
22-1	PLATE, SUSPENSION	94128	59	SUPPORT, DEFLECTOR	94686-853
22-2	BRACKET, SUSPENSION	94055	71	ROD, HANGER	95295
22-3	BOLT, SHOULDER	009X52	72	PIN, HAIR	711676
22-4	NUT, FLANGE	015X84	75	RIVET	711624

MODEL 425601x53A

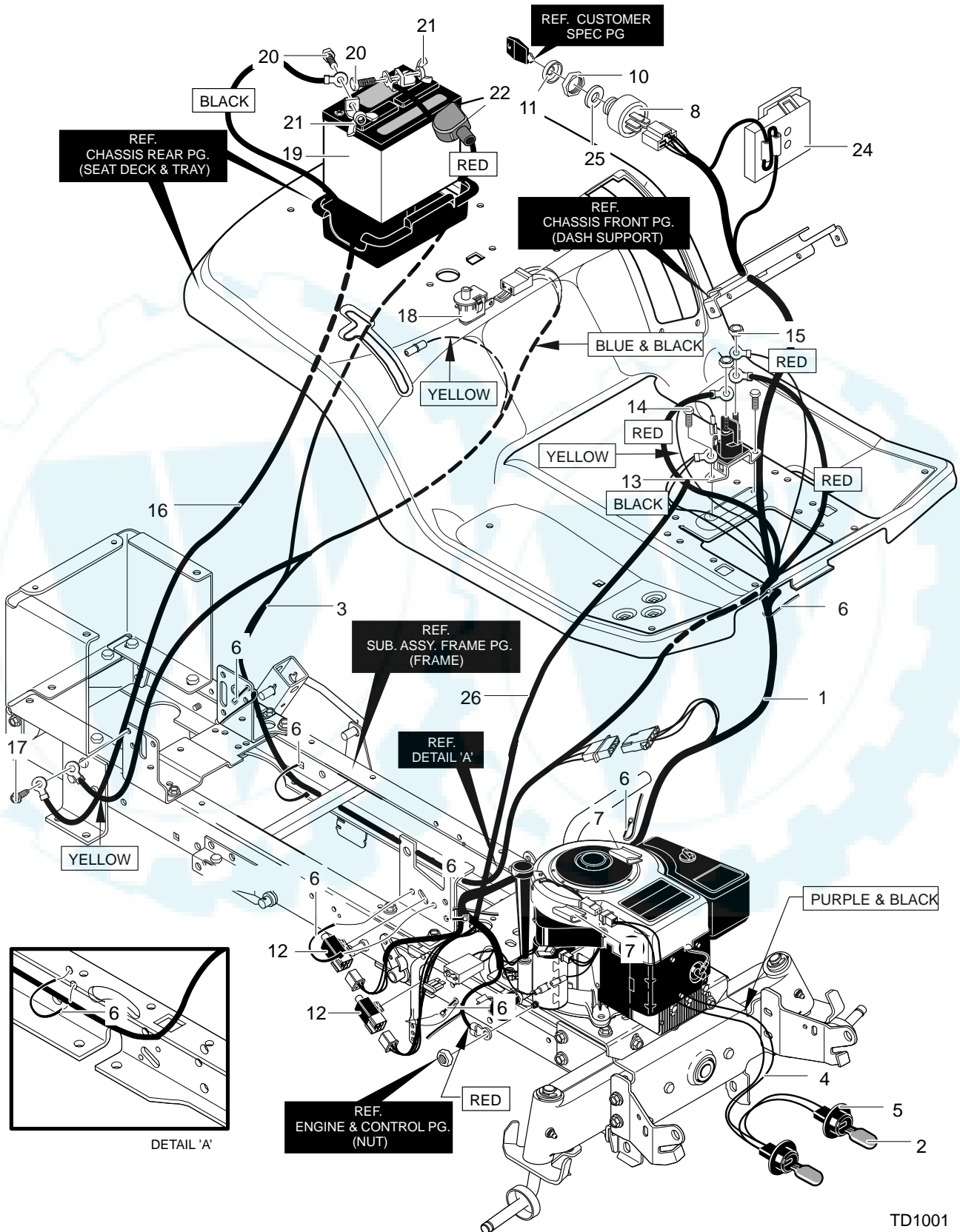
**REPAIR PARTS
DECK ASSEMBLY**



Key No.	Description	Part No.
2	HOUSING, JACKSHAFT	92574
3	PULLEY	95308
4	JACKSHAFT	94129
5	SPACER	94130
6	NUT, 9/16-18	711626
7	ADAPTER, BLADE	92466
9	WASHER	17X166
10	WASHER	17X165
11	NUT	15X100
21	BELT	710213
46	WHEEL, GAUGE	92683
47	BOLT	711746
48	NUT, 3/8-16	711622
49	WASHER	711615
55	PIN, CIRCLE	711764
60	GUARD, RIGHT BELT	94669-853
61	GUARD, LEFT BELT	94668-853
62	SCREW	711642
63	BLADE	95100
68	COVER, DISCHARGE	95080-853
69	BOLT	340720
70	NUT, WING	711604
73	PAD, ADHESIVE	318197

MODEL 425601x53A

REPAIR PARTS ELECTRICAL ASSEMBLY



TD1001

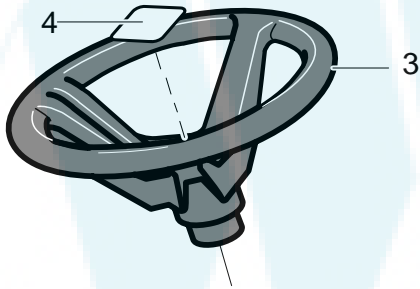
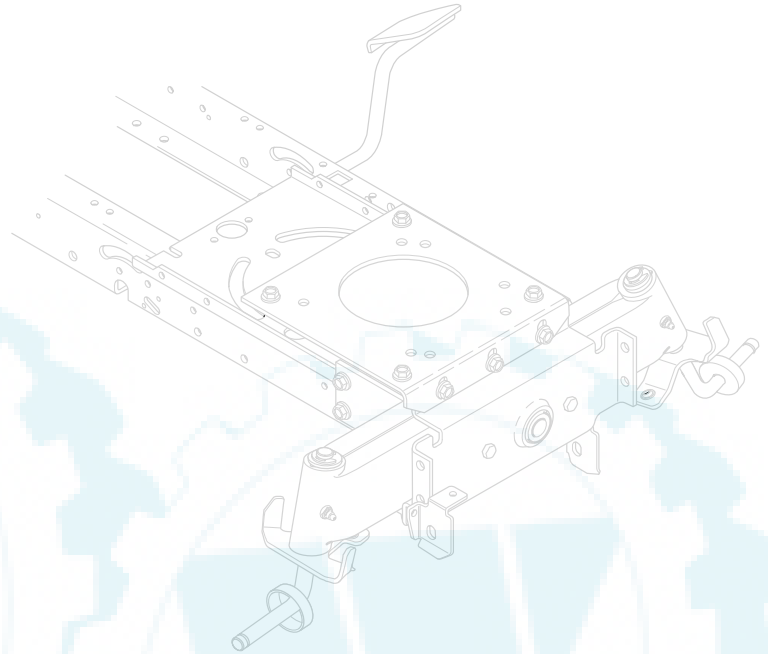
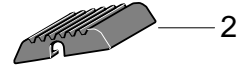
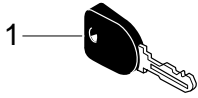
MODEL 425601x53A

**REPAIR PARTS
ELECTRICAL ASSEMBLY**

Key No.	Description	Part No.	Key No.	Description	Part No.
1	HARNESS	250X87	14	SCREW	711619
2	BULB, LIGHT	90084	15	NUT, 1/4-20	711632
3	WIRE HARNESS, REAR	340530	16	WIRE, GROUND	710228
4	WIRE HARNESS, HEADLIGHTS	340513	17	SCREW	711760
5	SOCKET, LAMP	92372	18	SWITCH, SEAT	94159
6	TIE, CABLE	57444	19	BATTERY	92739
6	TIE, CABLE	57444	20	BOLT	711680
7	WIRE CLIP, ADHESIVE	55939	21	NUT, WING	711636
8	SWITCH, IGNITION	92556	22	BOOT, BATTERY	335417
10	NUT, IGNITION SWITCH	091489	24	AMMETER	93156
11	CAP, IGNITION SWITCH	091488	25	WASHER	313683
12	SWITCH LIMIT	94136	26	WIRE, LEAD SOLENOID	711579
13	SOLENOID	94613			

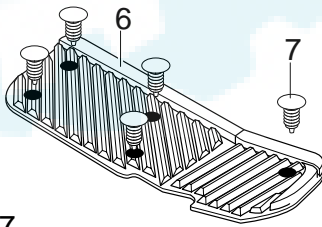
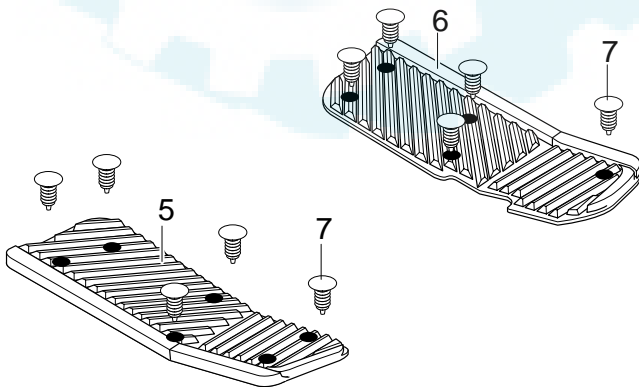
MODEL 425601x53A

**REPAIR PARTS
CUSTOMER SPEC**



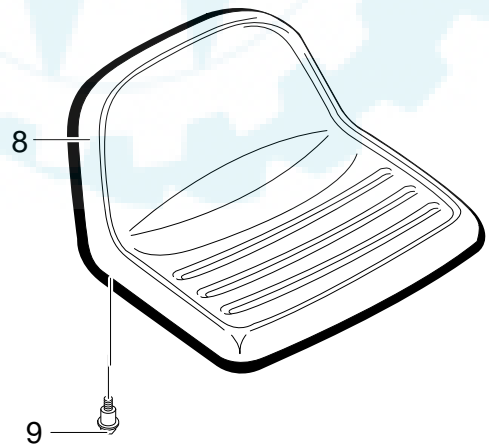
4

3



7

7



9

MODEL 425601x53A

**REPAIR PARTS
CUSTOMER SPEC**

Key No.	Description	Part No.
1	IGNITION KEY	327350
2	PAD, BRAKE/CLUTCH	95220
3	STEERING WHEEL	95185
4	INSERT, 4-SPOKE	711326
5	PAD, RIGHT FOOTREST	95409
6	PAD, LEFT FOOTREST	94408
7	FASTENER, RATCHET	309235
8	SEAT	95415
9	BOLT	711654